



US0D1011451S

(12) **United States Design Patent**
Zhang

(10) **Patent No.:** **US D1,011,451 S**

(45) **Date of Patent:** **** Jan. 16, 2024**

(54) **BALANCE BEAM**

(71) Applicant: **Li Zhang**, Hunan (CN)

(72) Inventor: **Li Zhang**, Hunan (CN)

(**) Term: **15 Years**

(21) Appl. No.: **29/897,344**

(22) Filed: **Jul. 13, 2023**

(51) **LOC (14) Cl.** **21-02**

(52) **U.S. Cl.**
USPC **D21/686**

(58) **Field of Classification Search**
USPC D21/686, 797, 399, 662, 673, 698
CPC A63B 4/00; A63B 71/023; A63B 2225/093
See application file for complete search history.

(56) **References Cited**

U.S. PATENT DOCUMENTS

D308,698 S	6/1990	Dorman	
5,037,086 A *	8/1991	Strand	A63B 4/00
5,616,102 A *	4/1997	Lahmann	A63B 4/00
D741,962 S *	10/2015	Terrian	D21/686
D815,701 S *	4/2018	Spencer	D21/686
D973,156 S *	12/2022	Klopman	A63B 26/003
			D21/686
D986,993 S *	5/2023	Liu	D21/797
11,759,666 B1 *	9/2023	Liu	A63B 4/00
2006/0270523 A1 *	11/2006	Lettelleir	A63B 4/00
2009/0093343 A1 *	4/2009	Gallus	A63B 4/00
2020/0078627 A1 *	3/2020	Landsman	A63B 4/00
2022/0134159 A1 *	5/2022	Carozzani	A63B 4/00

FOREIGN PATENT DOCUMENTS

CN 308069941 * 6/2023

OTHER PUBLICATIONS

“Fbsport 8ft Adjustable Balance Beam” Mar. 28, 2023, Amazon, site visited Sep. 21, 2023: https://www.amazon.com/dp/B0BZR68PTY/ref=sspa_dk_detail_8?pd_rd_i=B0BZR68PTY& (Year: 2023).*

“Yangg 6ft/8ft Gymnastic Balance Beam” Nov. 16, 2022, Amazon, site visited Sep. 21, 2023: https://www.amazon.com/dp/B0BMLHMWP5/ref=sspa_dk_detail_3?pf_rd_p=0d1092dc-81bb-493f-8769-d5c802257e94&pf_rd_r=J895N672EACMRCY0W70B&pd_rd_wg=DhXFz& (Year: 2022).*

* cited by examiner

Primary Examiner — Jennifer L Rempfer

Assistant Examiner — Salamah Jordan

(74) *Attorney, Agent, or Firm* — Kunzler Bean & Adamson, PC; Alandra Adams

(57) **CLAIM**

The ornamental design for a balance beam, as shown and described.

DESCRIPTION

FIG. 1 is a front, right and top perspective view of a balance beam, showing my design.

FIG. 2 is a rear, left and bottom perspective view thereof.

FIG. 3 is a front elevation view thereof.

FIG. 4 is a rear elevation view thereof.

FIG. 5 is an enlarged left side elevation view thereof.

FIG. 6 is an enlarged right side elevation view thereof.

FIG. 7 is a top plan view thereof.

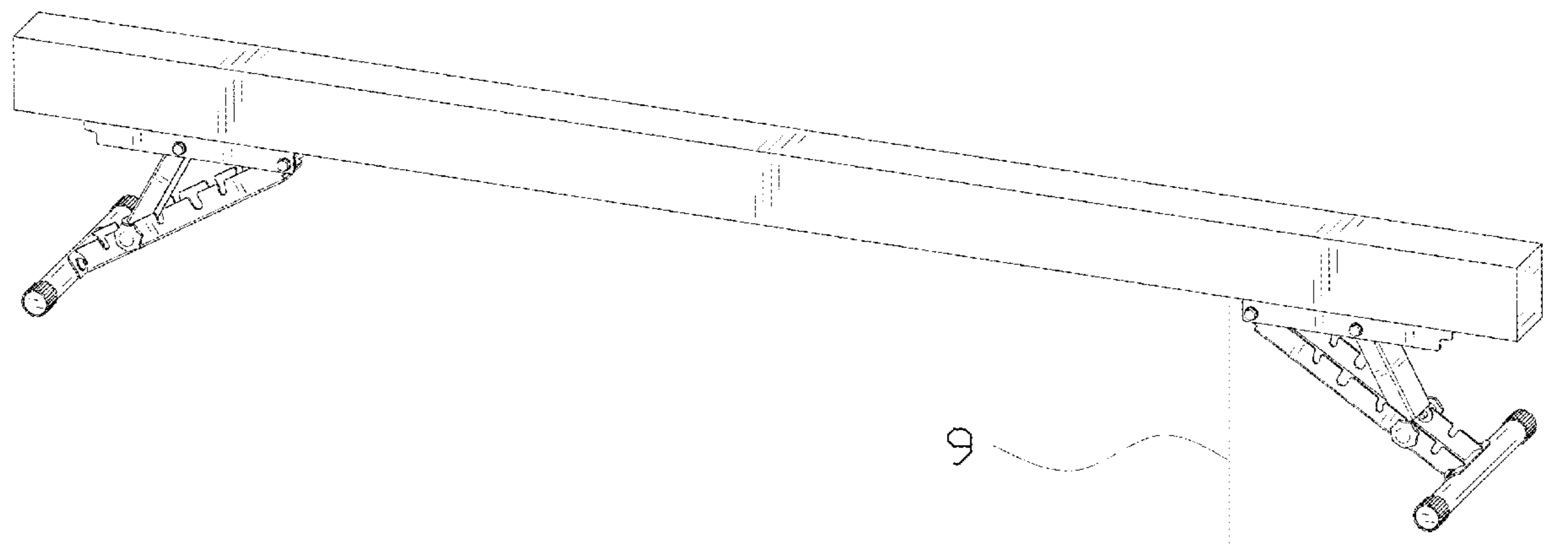
FIG. 8 is a bottom plan view thereof.

FIG. 9 is an enlarged view of detail 9 in FIG. 1; and,

FIG. 10 is an enlarged view of detail 10 in FIG. 2.

The broken lines depict portions of the balance beam that form no part of the claimed design. The dot-dash broken lines in FIGS. 1, 2, 9, and 10 depict the boundaries of the enlargements that form no part of the claimed design.

1 Claim, 10 Drawing Sheets



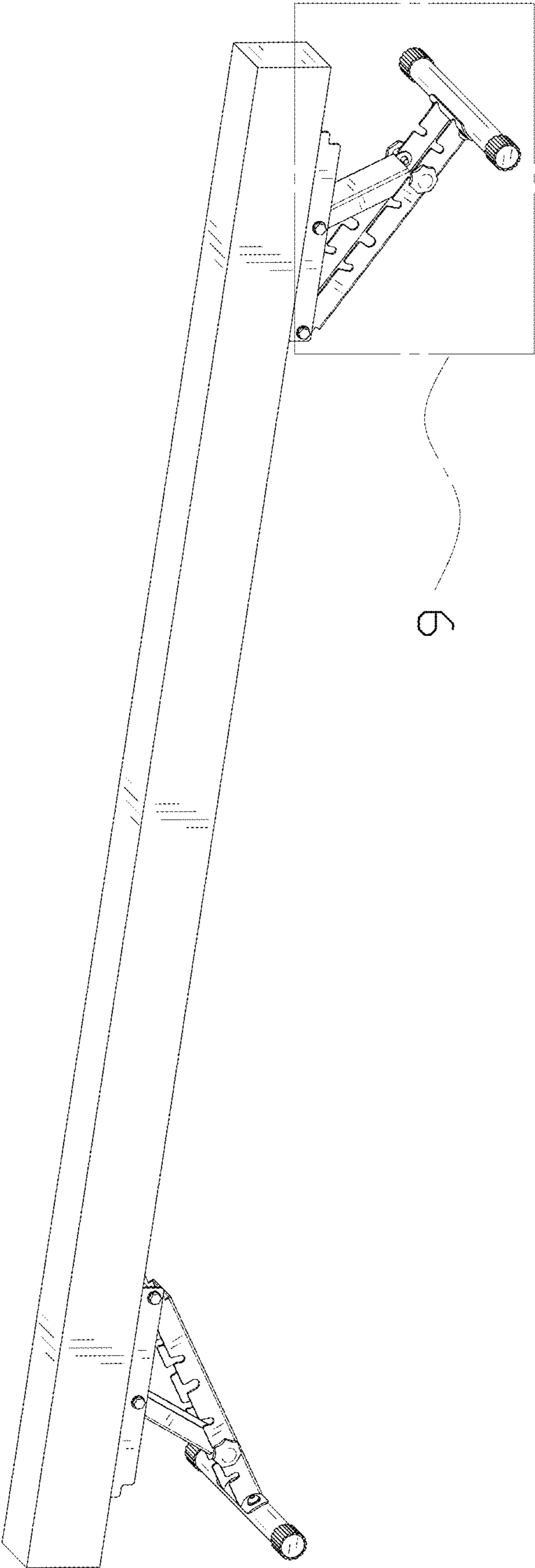


FIG. 1

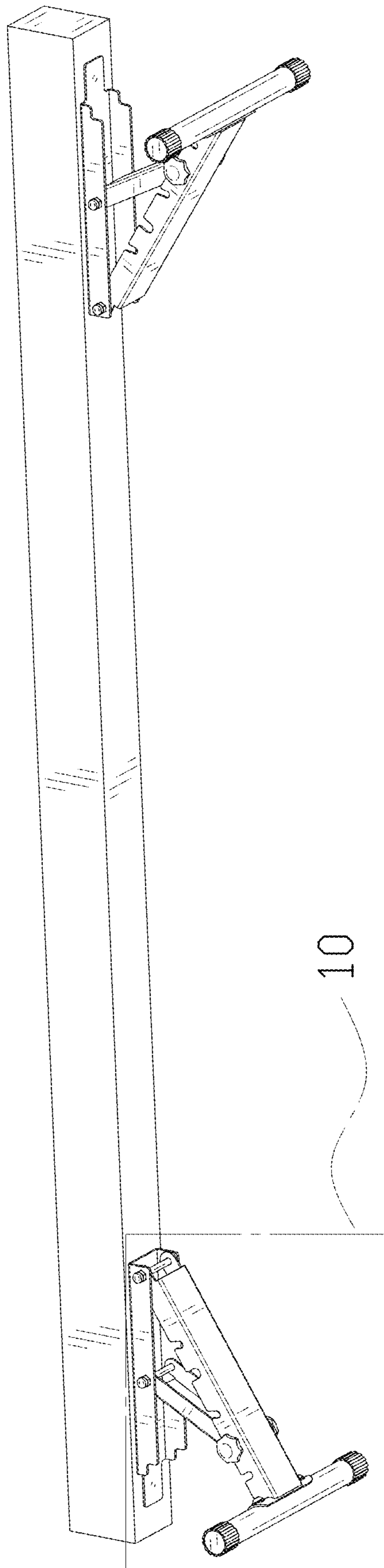


FIG. 2

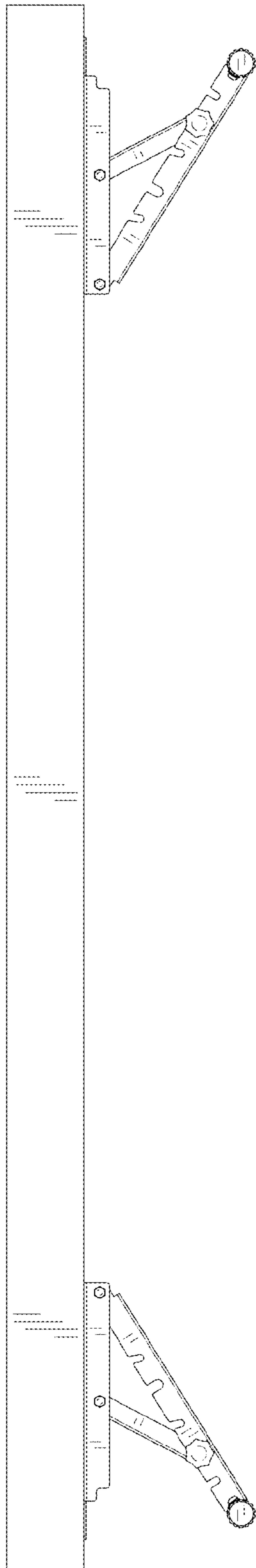


FIG. 3

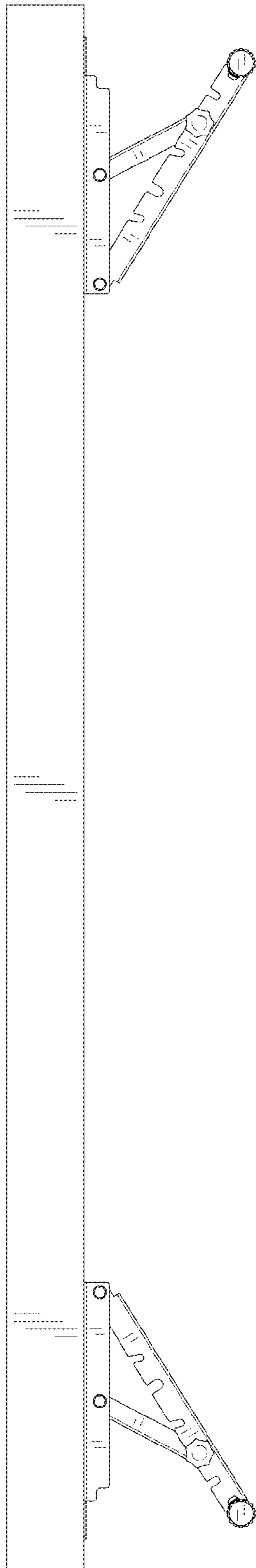


FIG. 4

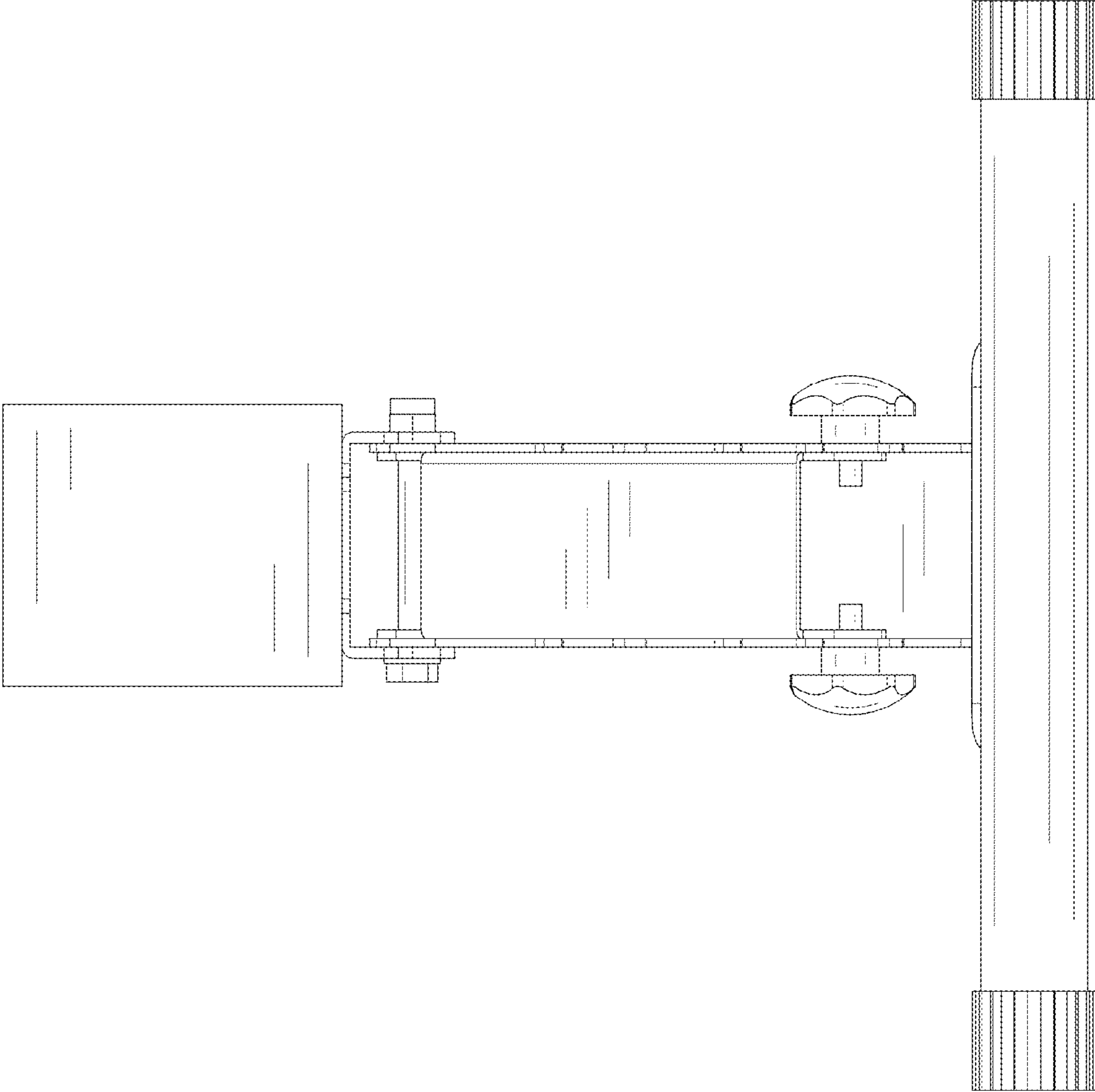


FIG. 5

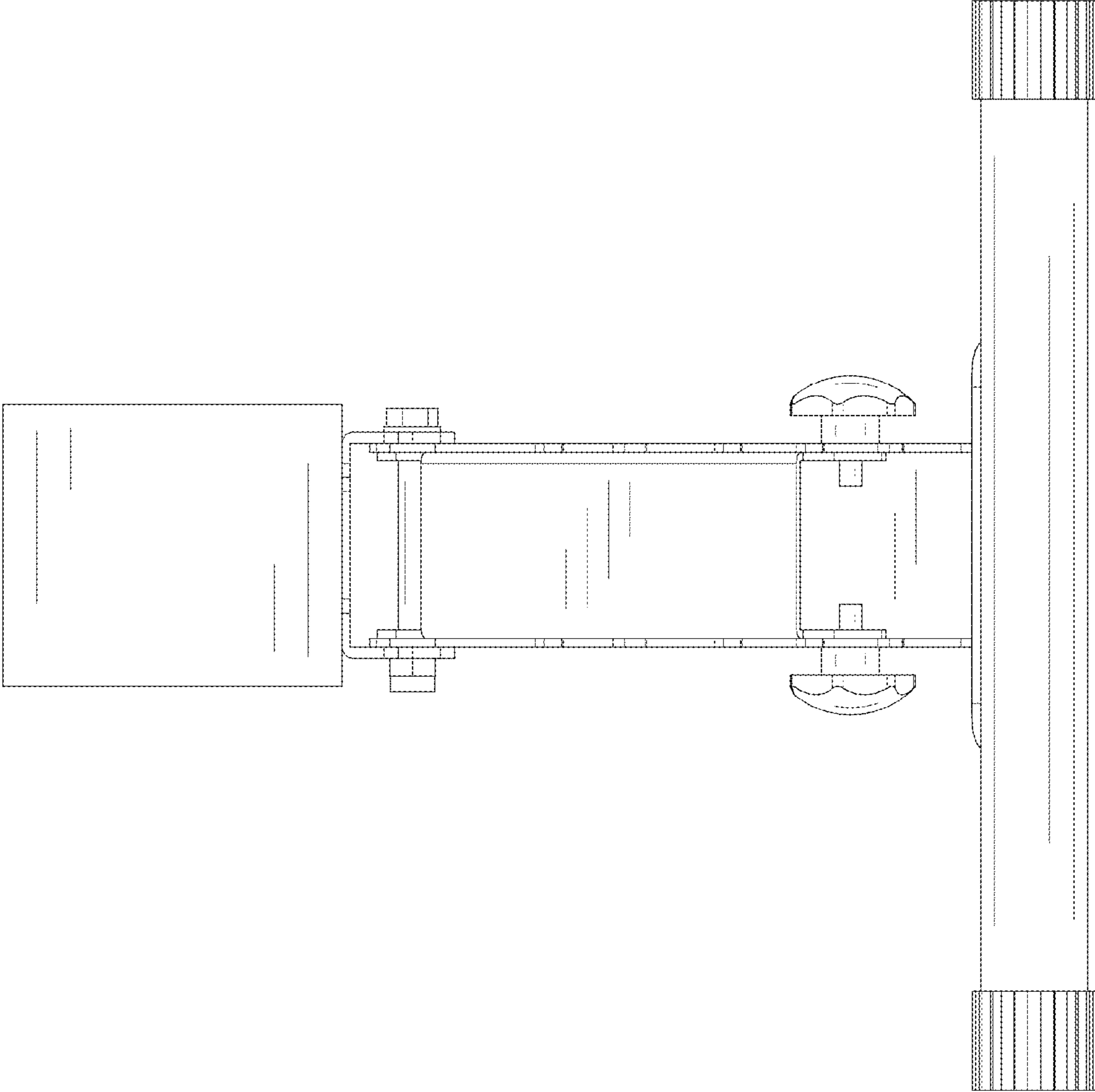


FIG. 6

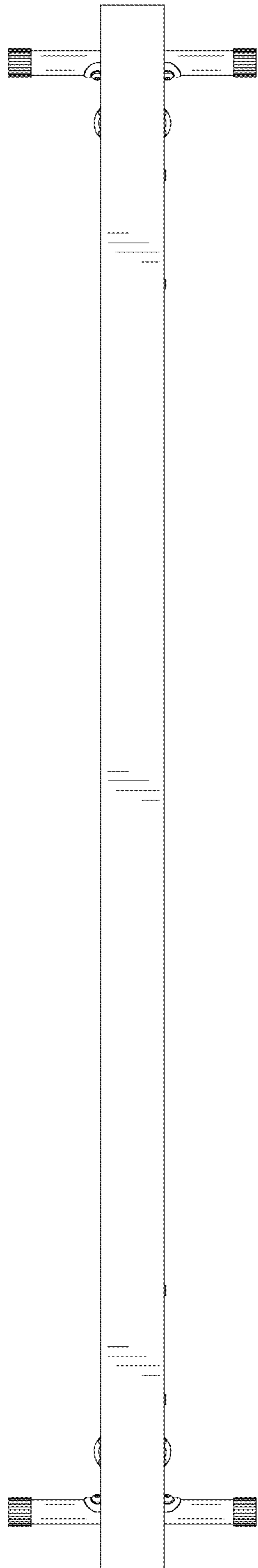


FIG. 7

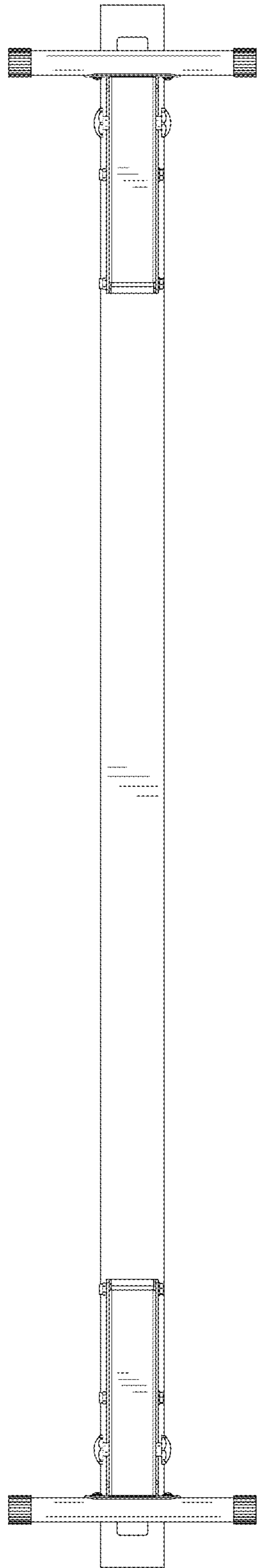


FIG. 8

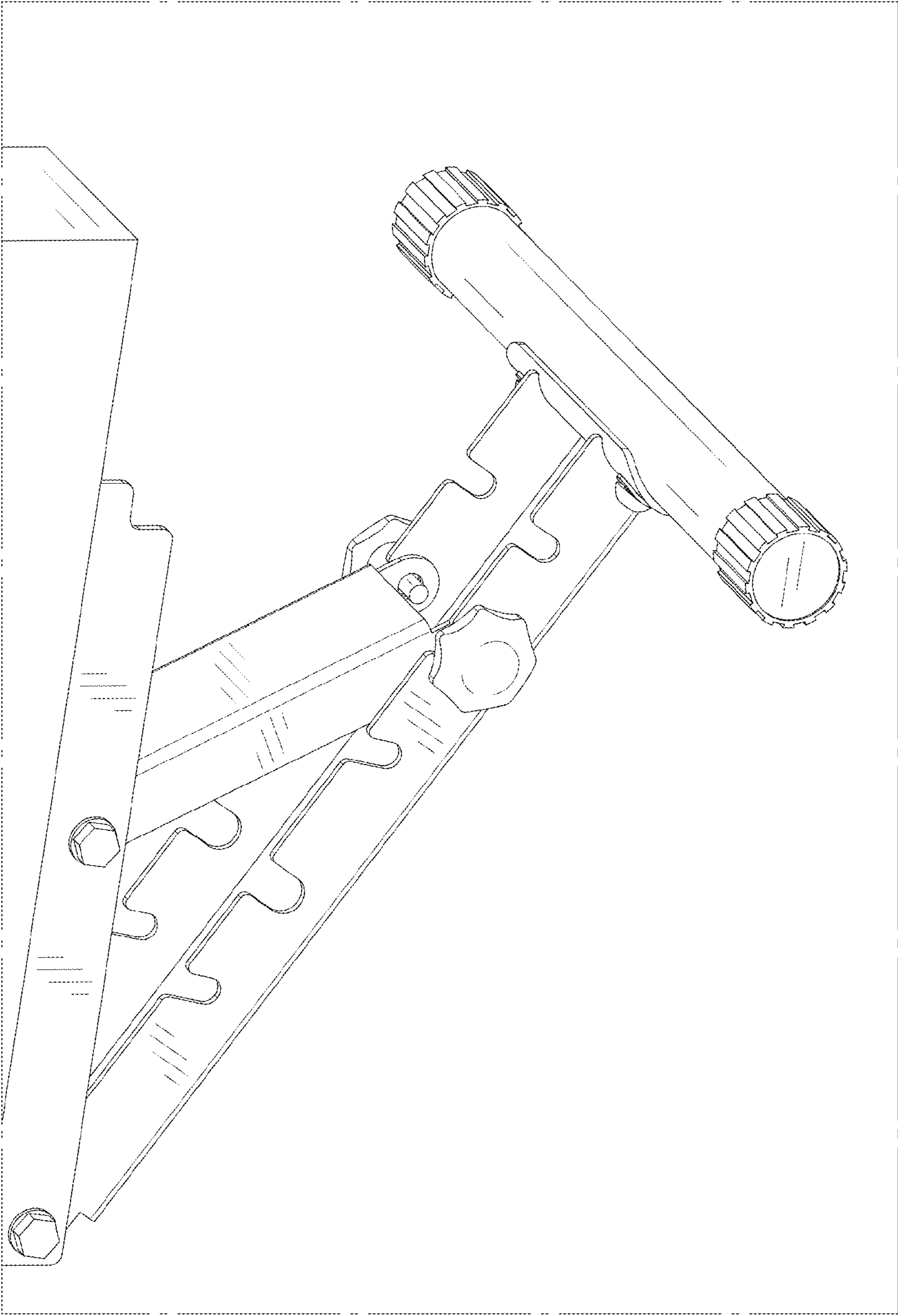


FIG. 9

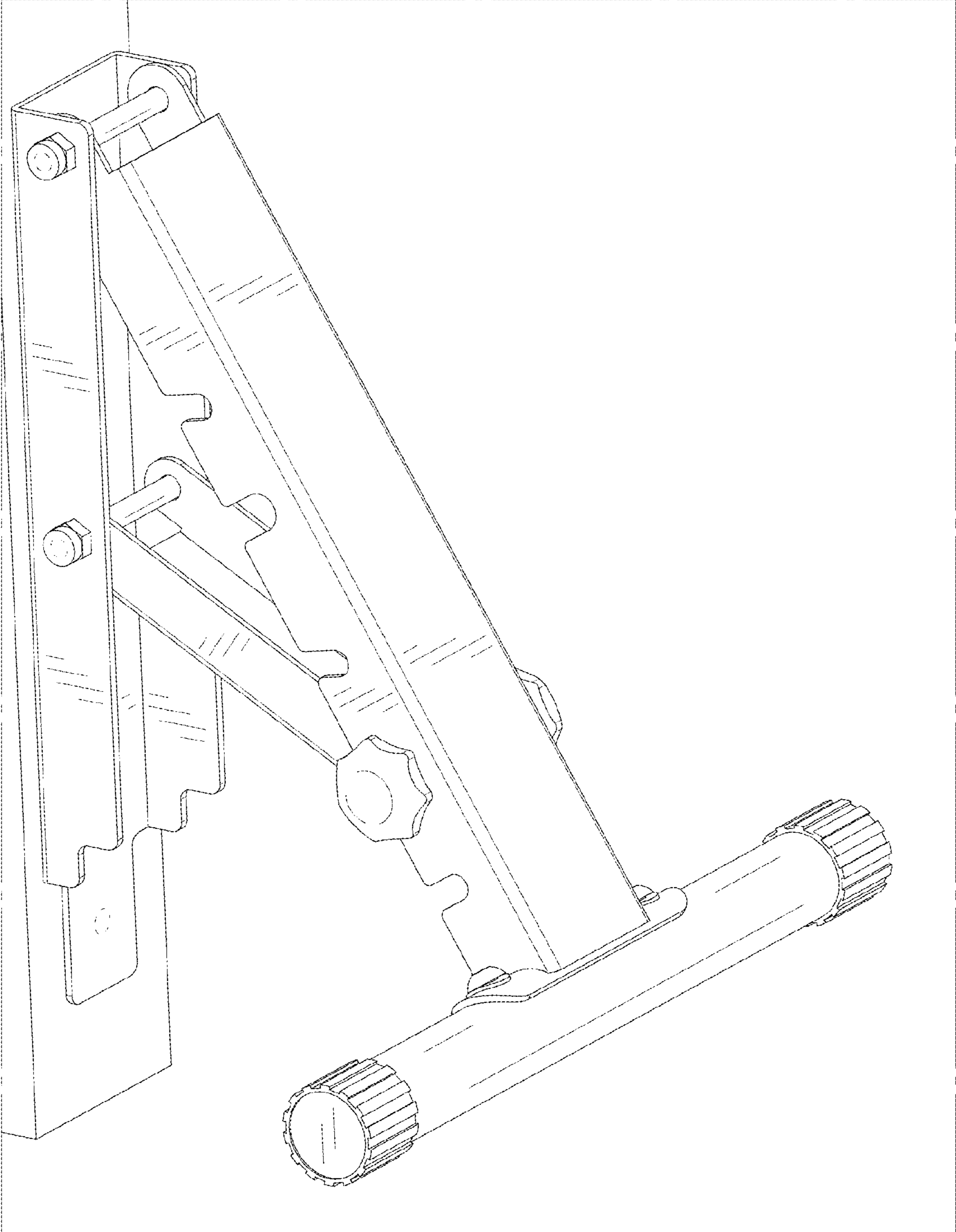


FIG. 10