



US0D1011436S

(12) **United States Design Patent**
Chen

(10) **Patent No.:** **US D1,011,436 S**

(45) **Date of Patent:** **** Jan. 16, 2024**

- (54) **TOY**
- (71) Applicant: **Zexin Chen**, GuangDong (CN)
- (72) Inventor: **Zexin Chen**, GuangDong (CN)
- (**) Term: **15 Years**
- (21) Appl. No.: **29/828,268**
- (22) Filed: **Feb. 25, 2022**

D868,175 S	*	11/2019	Chen	D12/83
D868,906 S	*	12/2019	Chen	D12/83
D872,812 S	*	1/2020	Chen	D12/83
D932,565 S	*	10/2021	Chen	D21/554
D975,193 S	*	1/2023	Zhang	D21/431

* cited by examiner

Primary Examiner — Cynthia M. Chin

(57) **CLAIM**

The ornamental design for a toy, as shown and described.

DESCRIPTION

- (30) **Foreign Application Priority Data**
Nov. 10, 2021 (CN) 202130739277.7
- (51) **LOC (14) Cl.** **21-04**
- (52) **U.S. Cl.**
USPC **D21/554**
- (58) **Field of Classification Search**
USPC D21/431, 434, 552, 554, 556, 561, 562
CPC A63H 17/00; A63H 17/05; A63H 17/055;
A63H 17/06
See application file for complete search history.

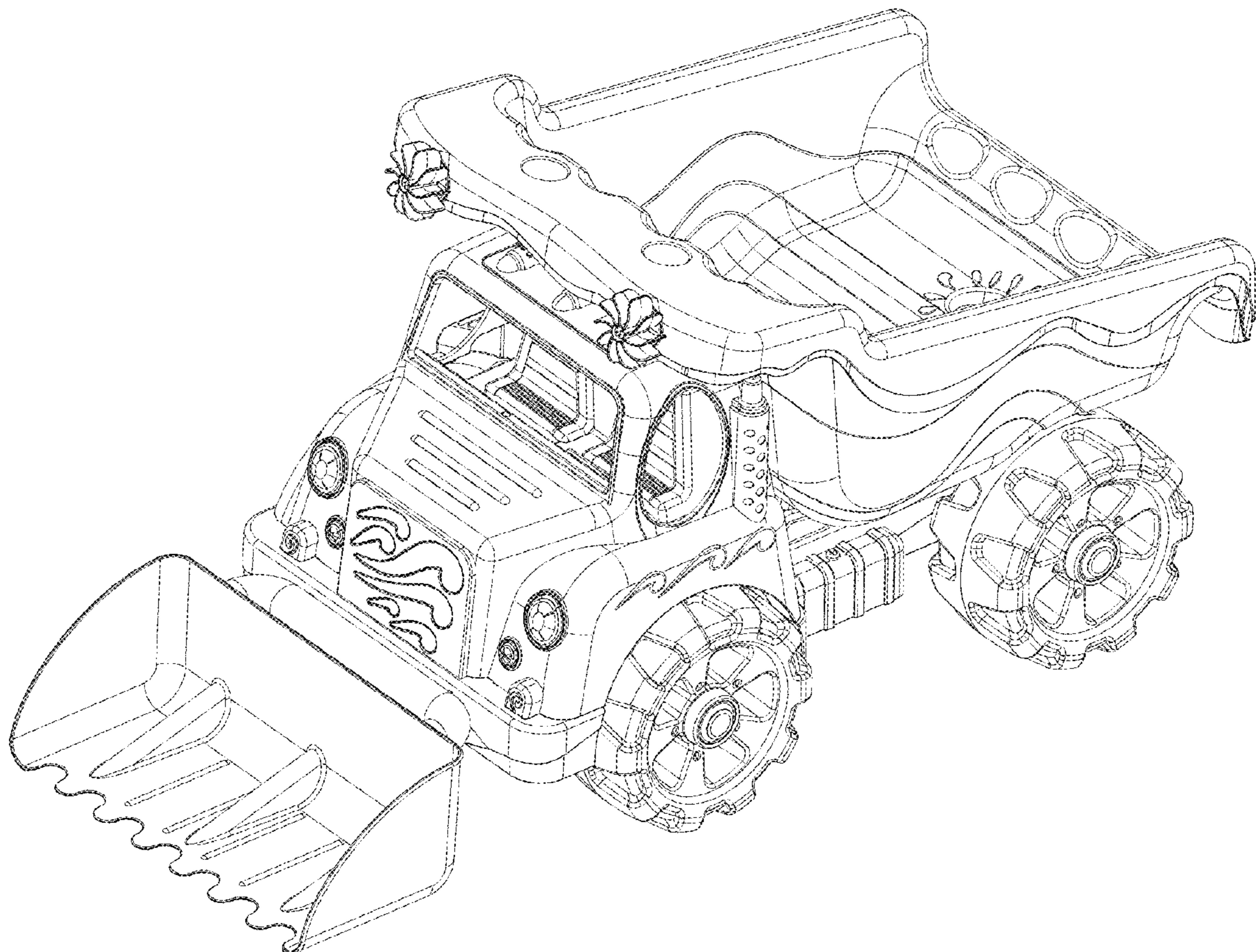
FIG. 1 is an enlarged front elevational view of a toy showing my new design;
 FIG. 2 is an enlarged rear elevational view thereof;
 FIG. 3 is a left side view thereof;
 FIG. 4 is a right side view thereof;
 FIG. 5 is a top plan view thereof;
 FIG. 6 is a perspective view thereof;
 FIG. 7 is a second perspective view thereof;
 FIG. 8 is a third perspective view thereof;
 FIG. 9 is a fourth perspective view thereof; and,
 FIG. 10 is a fifth perspective view thereof in an alternative configuration.
 The broken lines illustrate portions of the toy that do not form part of the claimed design.

(56) **References Cited**

U.S. PATENT DOCUMENTS

D416,952 S	*	11/1999	Wei	D21/554
D445,844 S	*	7/2001	Tse	D21/554

1 Claim, 10 Drawing Sheets



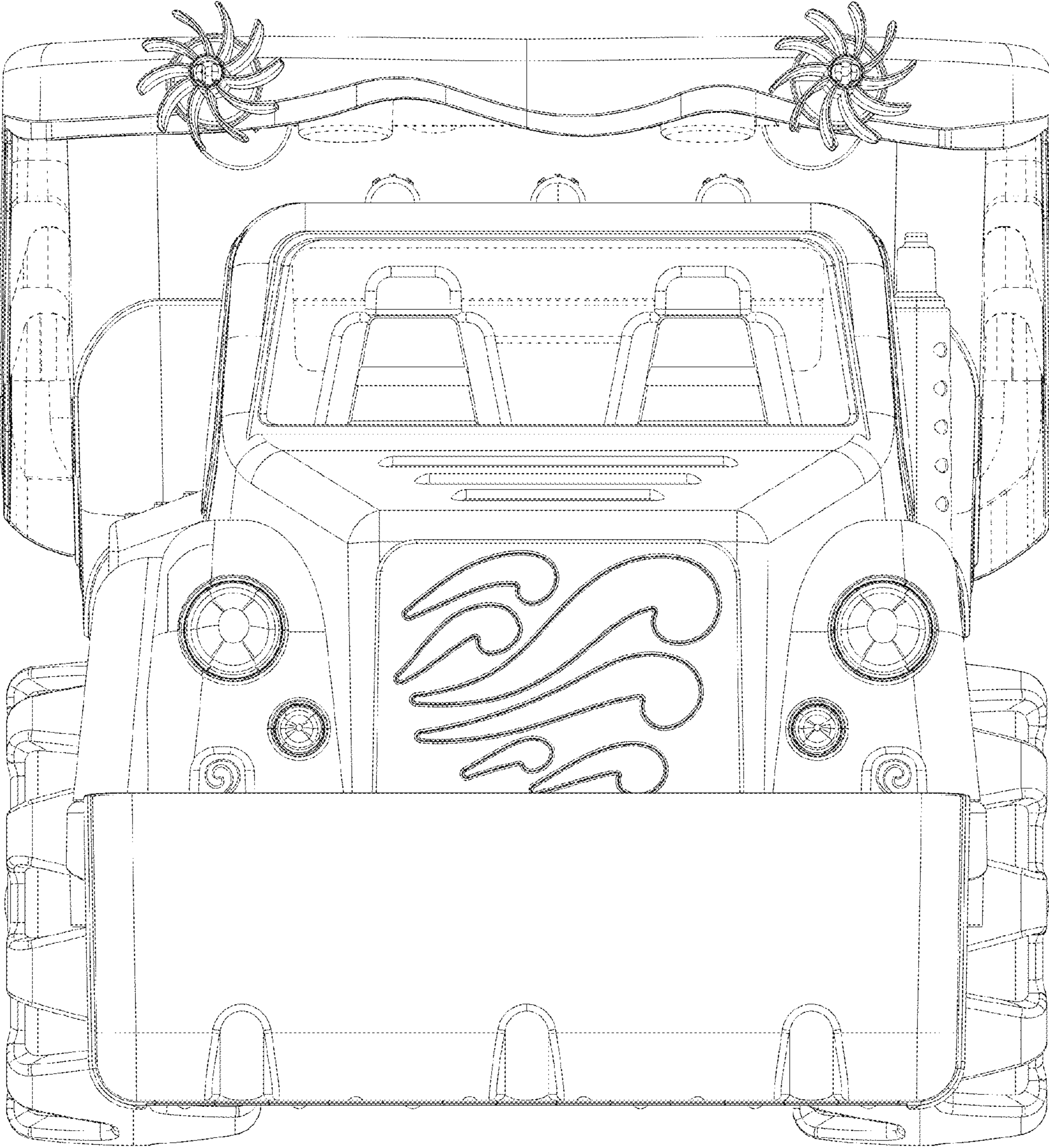


FIG.1

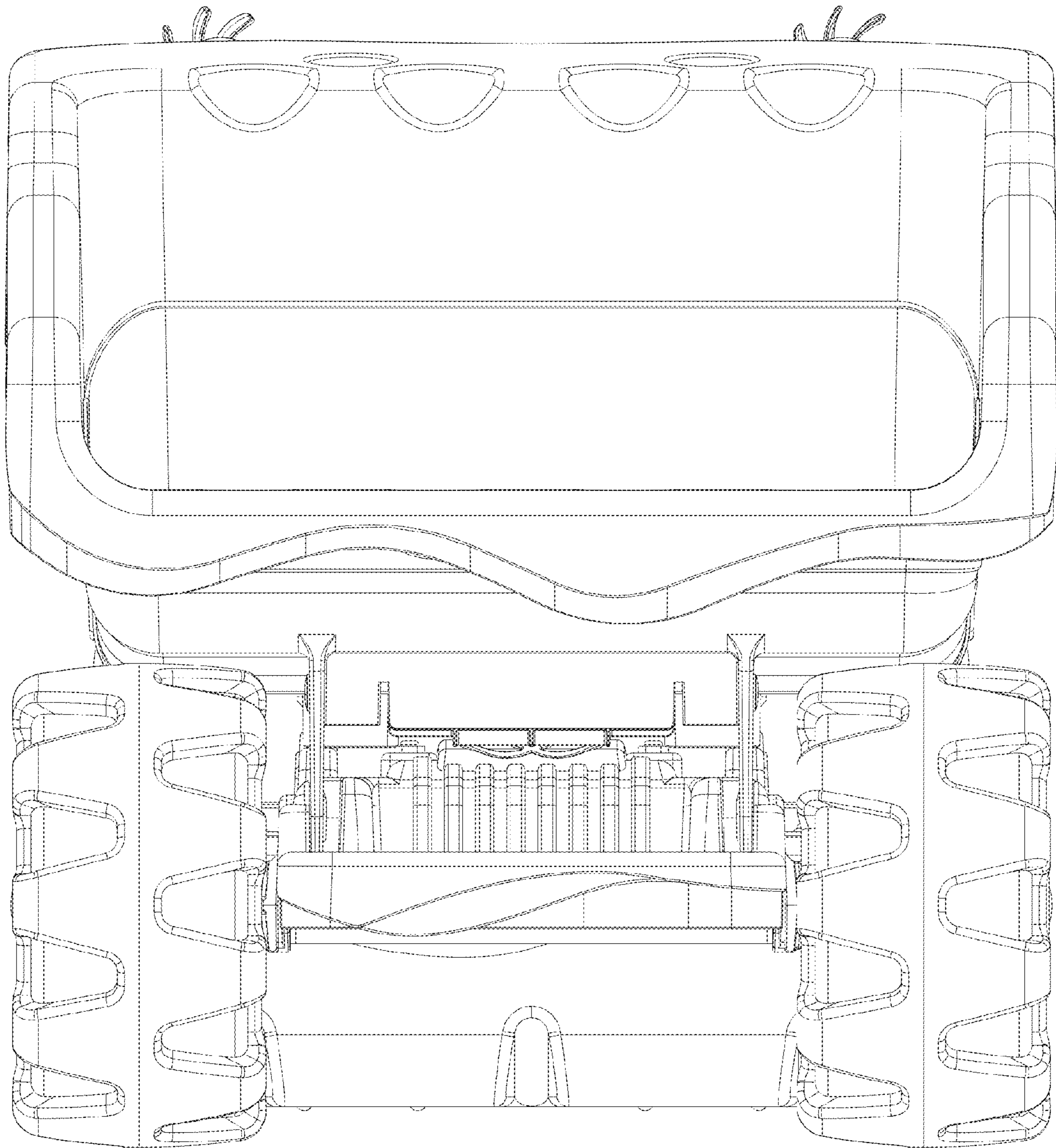


FIG. 2

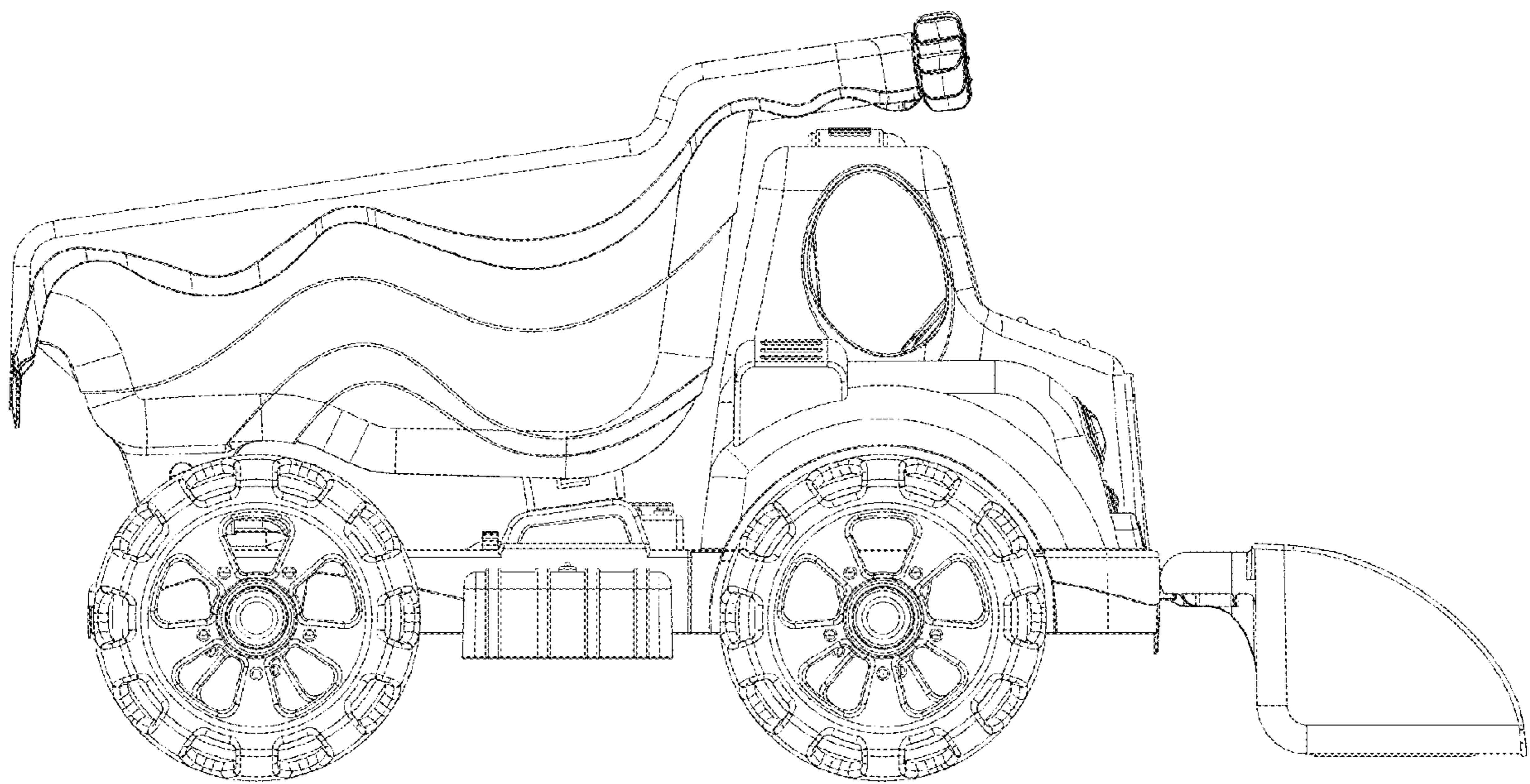


FIG. 3

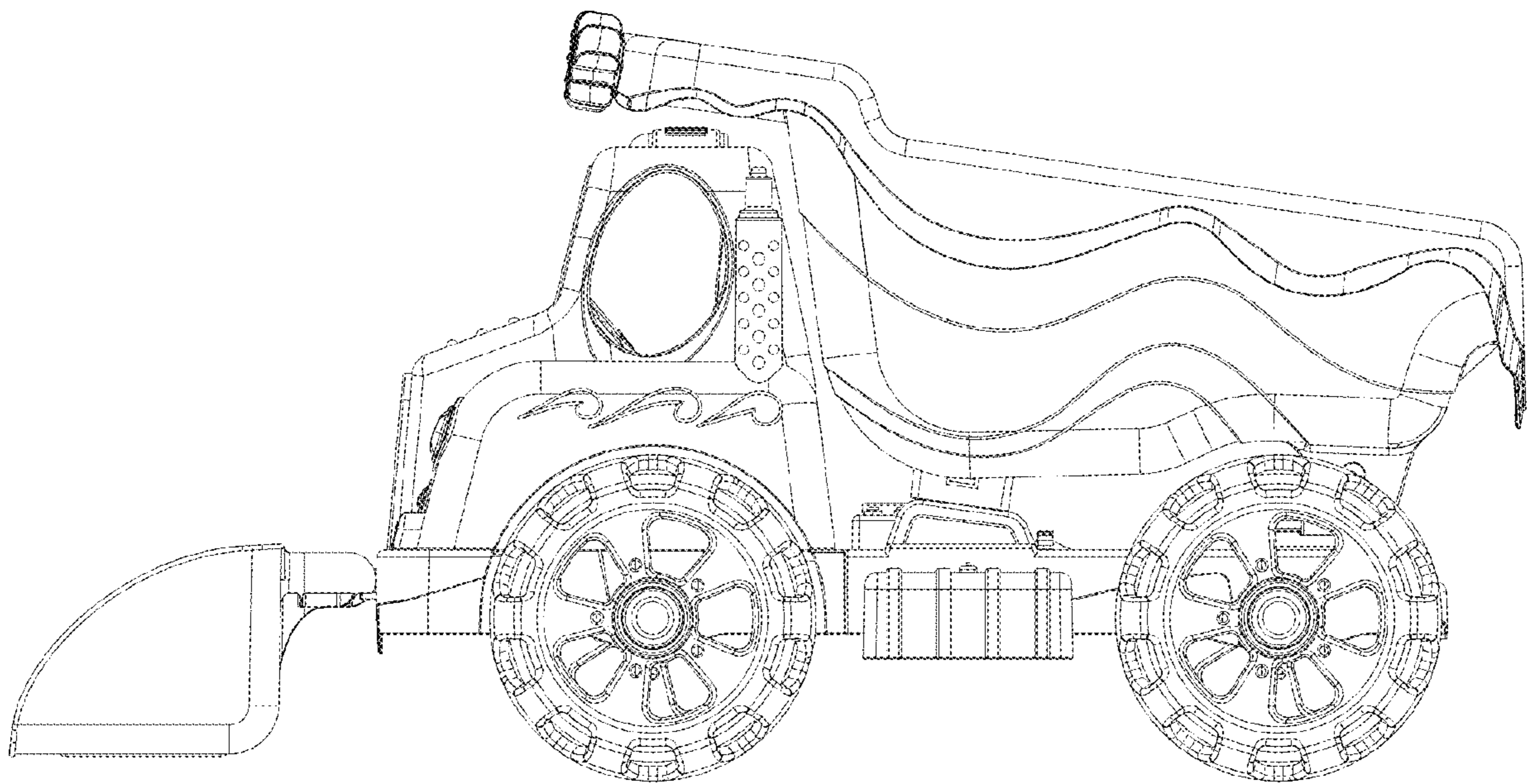


FIG.4

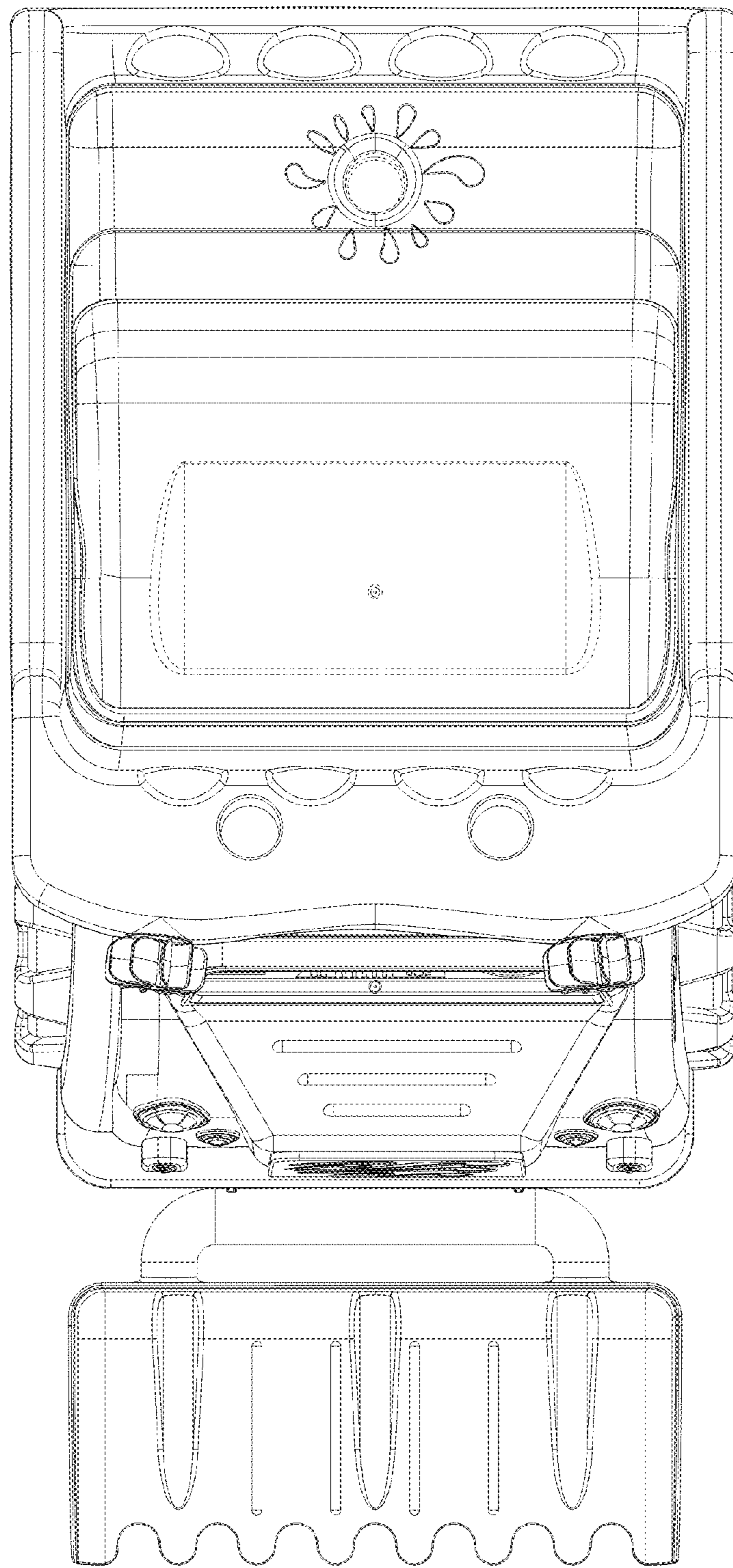


FIG.5

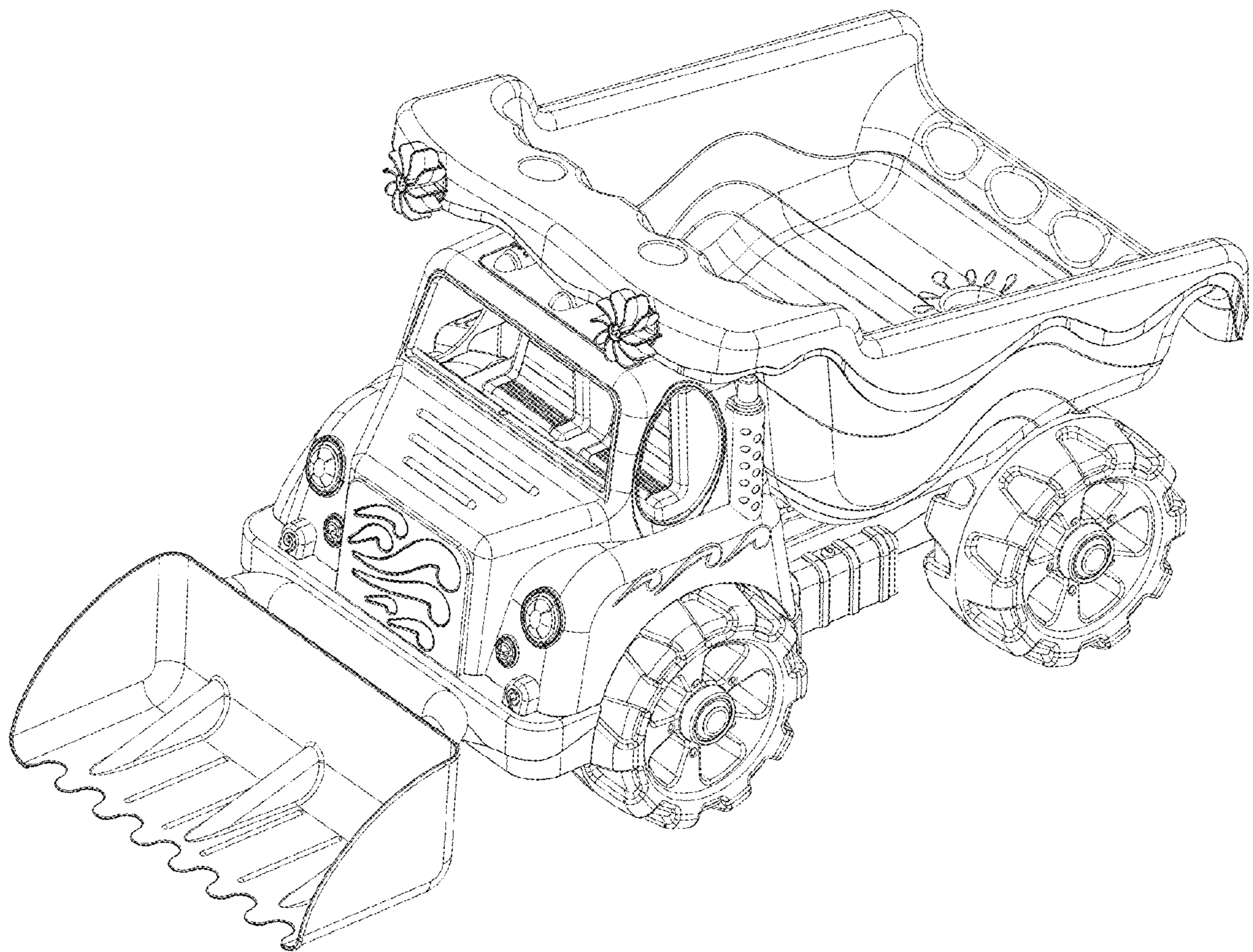


FIG.6

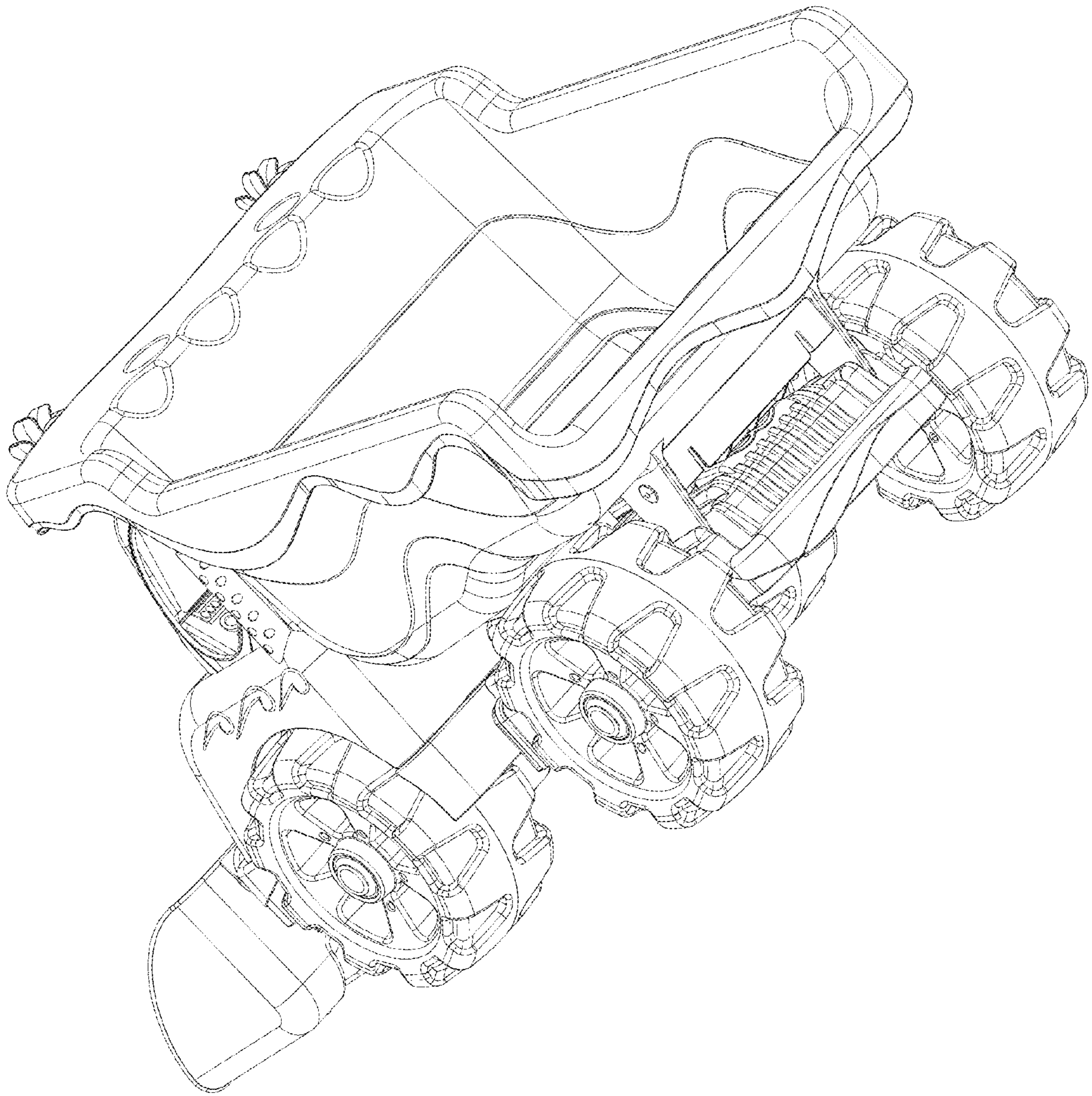


FIG. 7

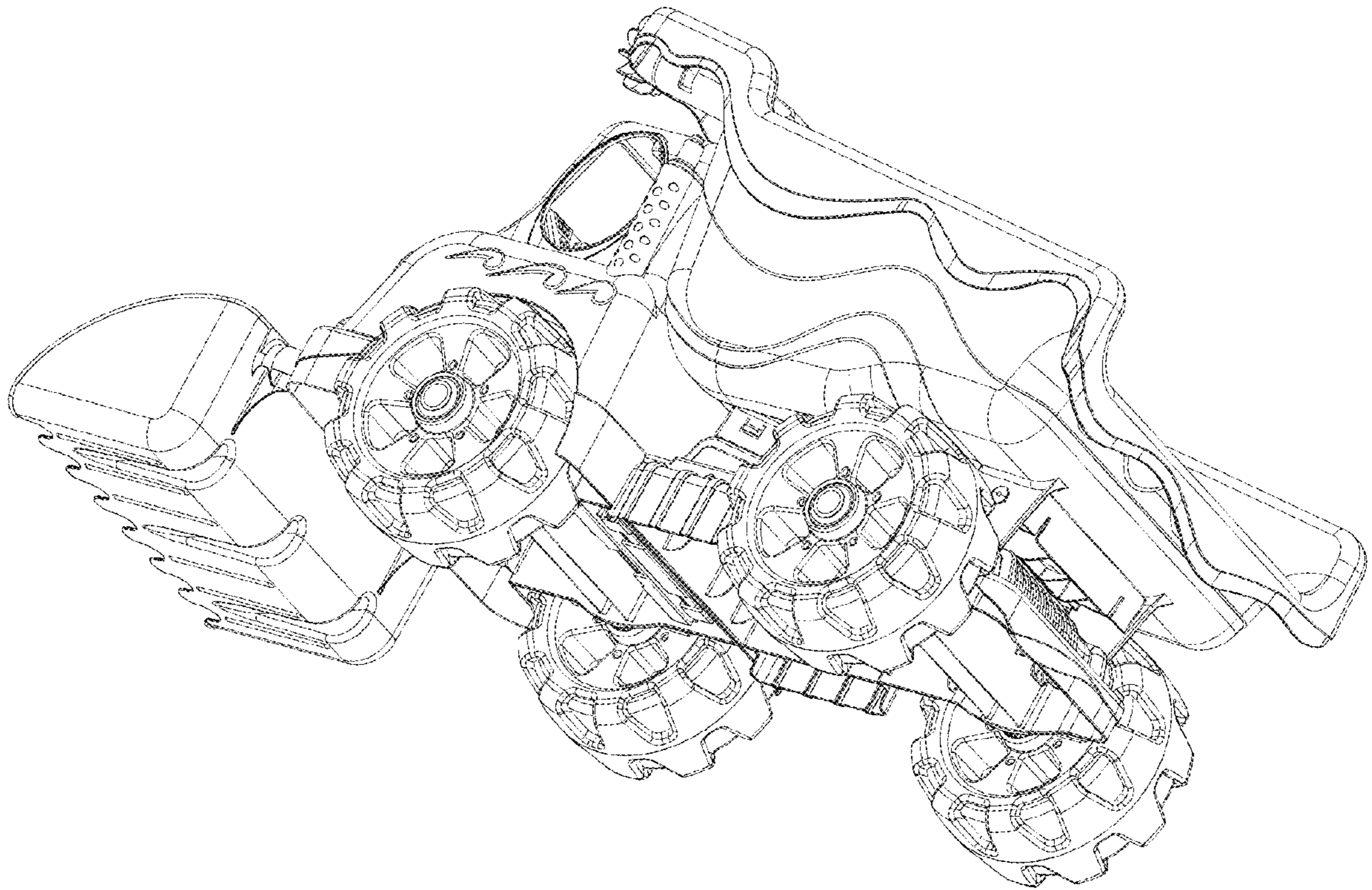


FIG 8

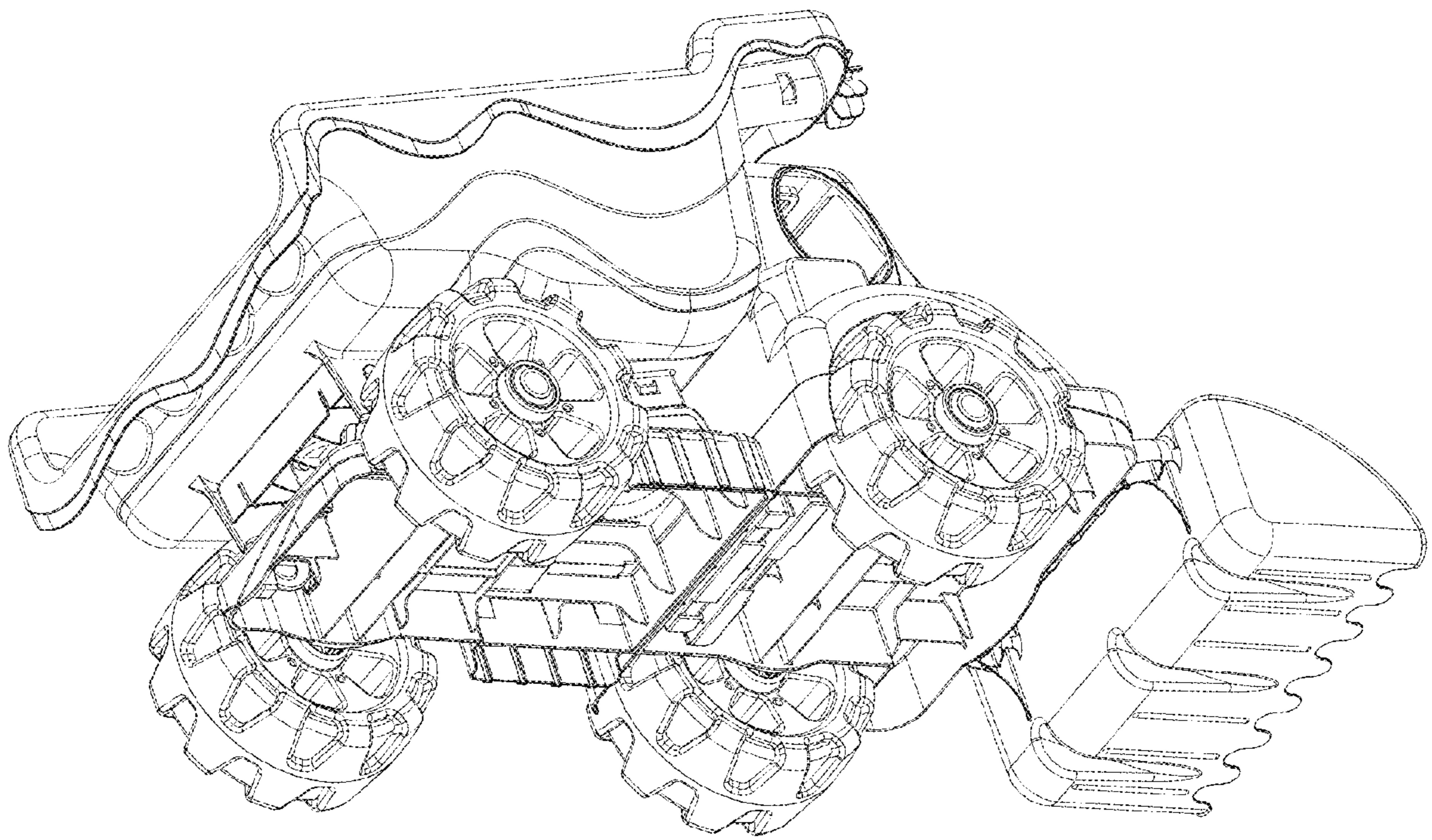


FIG.9

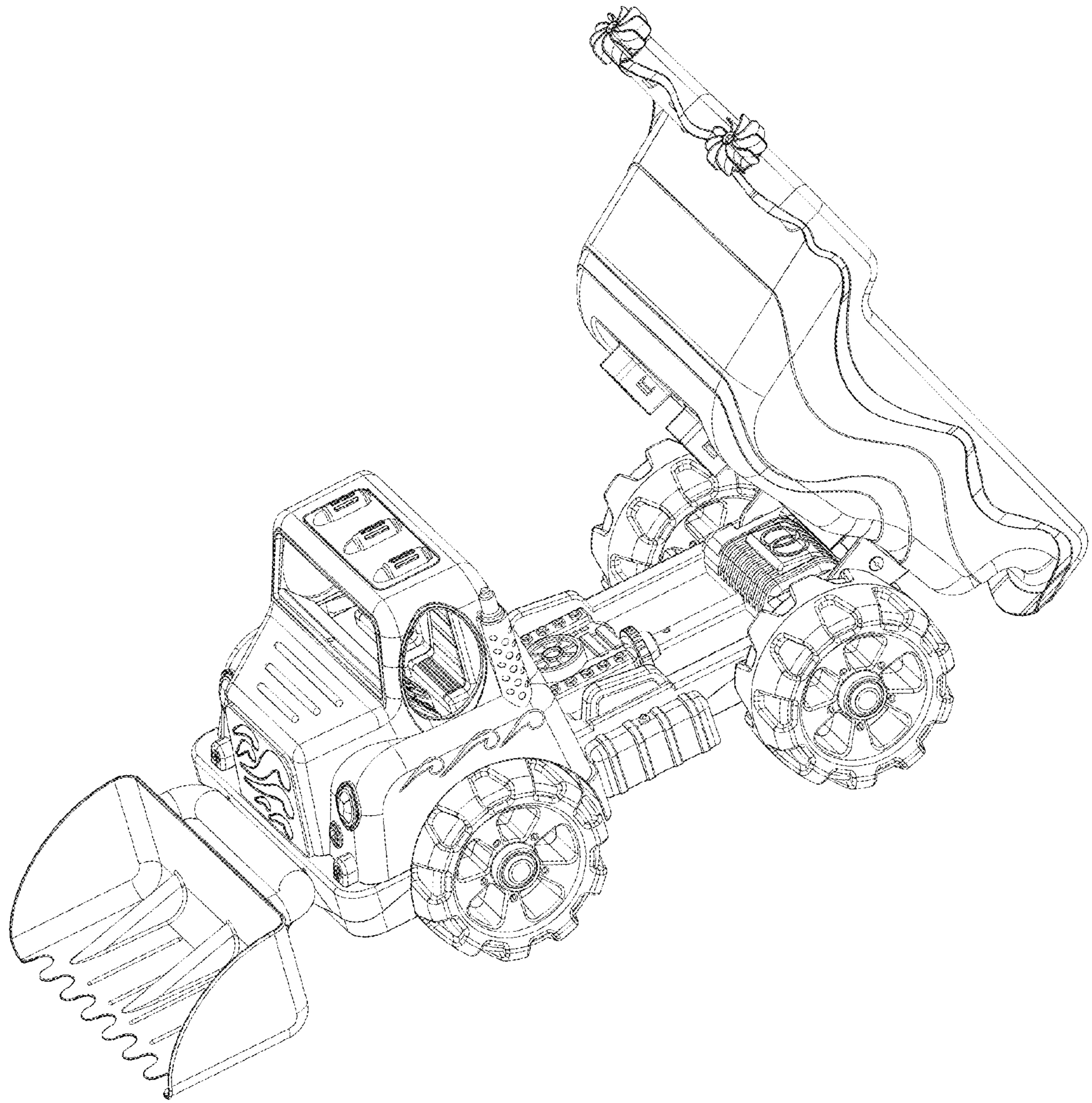


FIG.10