



US0D1011355S

(12) **United States Design Patent** (10) **Patent No.:** **US D1,011,355 S**
He (45) **Date of Patent:** **** Jan. 16, 2024**

(54) **KEYCAP SET**

(71) Applicant: **Xing He**, Guangdong (CN)

(72) Inventor: **Xing He**, Guangdong (CN)

(**) Term: **15 Years**

(21) Appl. No.: **29/904,750**

(22) Filed: **Oct. 11, 2023**

(51) **LOC (14) Cl.** **14-02**

(52) **U.S. Cl.**
USPC **D14/456**

(58) **Field of Classification Search**
USPC D14/391-399, 455, 456, 385
(Continued)

(56) **References Cited**

U.S. PATENT DOCUMENTS

D212,865 S * 12/1968 Bowman et al. D14/456
D282,474 S * 2/1986 Sparks D18/12
(Continued)

Primary Examiner — Keli L Hill

Assistant Examiner — Harold E Blackwell, II

(74) *Attorney, Agent, or Firm* — ScienBiziP, P.C.

(57) **CLAIM**

The ornamental design for a keycap set, as shown and described.

DESCRIPTION

FIG. 1 is a perspective view of a keycap set showing my design, the keycap set including seven sub-keycaps configured for cooperating different area of a keyboard, wherein each sub-keycap includes a top side and four peripheral side walls, and three of these peripheral side walls are transparent.

FIG. 2 is a front and left side perspective view of a first embodiment, which shows a corresponding view of a first sub-keycap, of the keycap set.

FIG. 3 is a rear and right side perspective view of FIG. 2.

FIG. 4 is a front elevation view of FIG. 2.

FIG. 5 is a rear elevation view of FIG. 2.

FIG. 6 is a left side view of FIG. 2.

FIG. 7 is a top plan view of FIG. 2.

FIG. 8 is a bottom plan view of FIG. 2.

FIG. 9 is a front and left side perspective view of a second embodiment, which shows a corresponding view of a second sub-keycap, of the keycap set.

FIG. 10 is a rear and right side perspective view of FIG. 9.

FIG. 11 is a front elevation view of FIG. 9.

FIG. 12 is a rear elevation view of FIG. 9.

FIG. 13 is a left side view of FIG. 9.

FIG. 14 is a top plan view of FIG. 9.

FIG. 15 is a bottom plan view of FIG. 9.

FIG. 16 is a front and left side perspective view of a third embodiment, which shows a corresponding view of a third sub-keycap, of the keycap set.

FIG. 17 is a rear and right side perspective view of FIG. 16.

FIG. 18 is a front elevation view of FIG. 16.

FIG. 19 is a rear elevation view of FIG. 16.

FIG. 20 is a left side view of FIG. 16.

FIG. 21 is a top plan view of FIG. 16.

FIG. 22 is a bottom plan view of FIG. 16.

FIG. 23 is a front and left side perspective view of a fourth embodiment, which shows a corresponding view of a fourth sub-keycap, of the keycap set.

FIG. 24 is a rear and right side perspective view of FIG. 23.

FIG. 25 is a front elevation view of FIG. 23.

FIG. 26 is a rear elevation view of FIG. 23.

FIG. 27 is a left side view of FIG. 23.

FIG. 28 is a top plan view of FIG. 23.

FIG. 29 is a bottom plan view of FIG. 23.

FIG. 30 is a front and left side perspective view of a fifth embodiment, which shows a corresponding view of a fifth sub-keycap, of the keycap set.

FIG. 31 is a rear and right side perspective view of FIG. 30.

FIG. 32 is a front elevation view of FIG. 30.

(Continued)

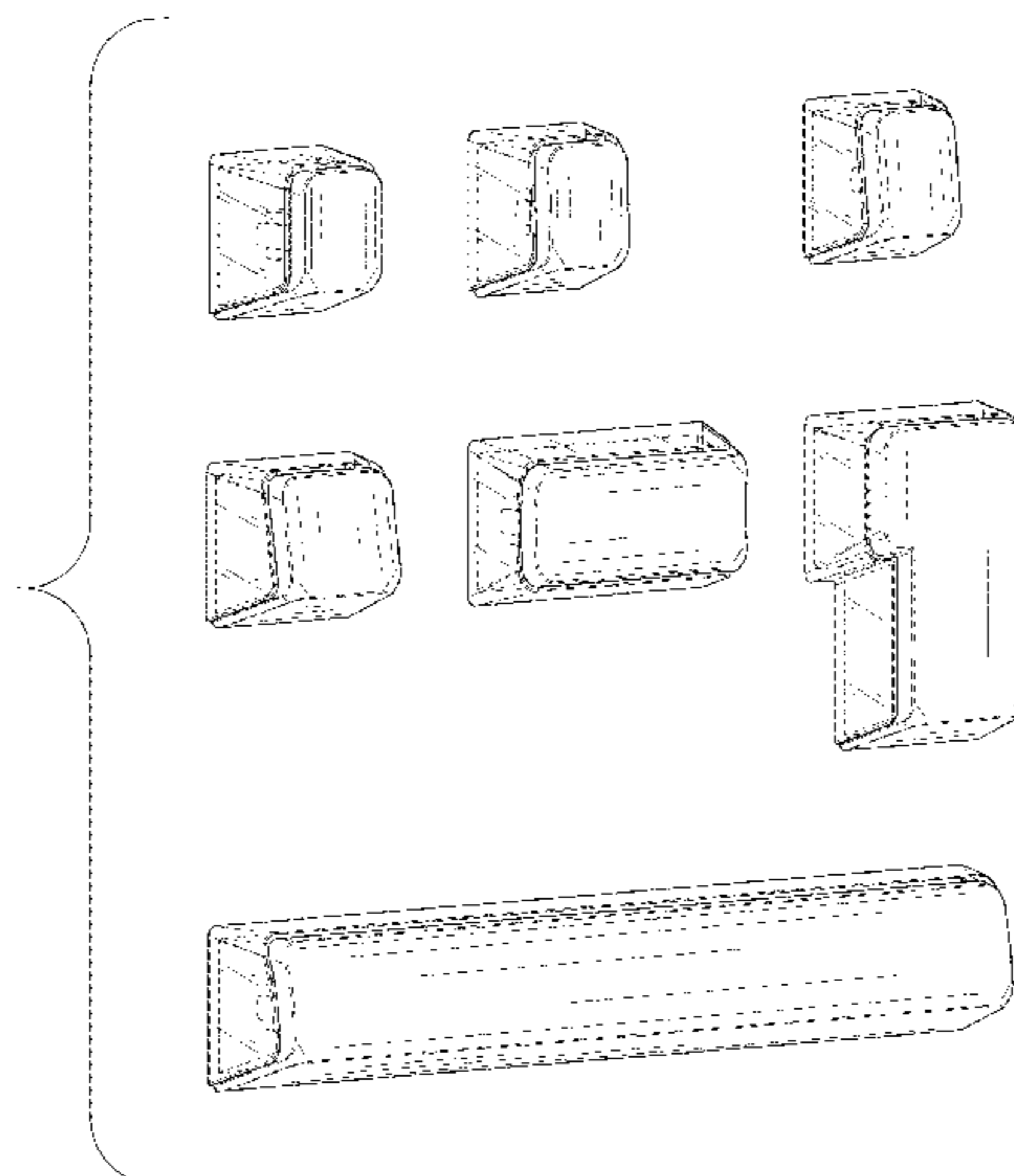


FIG. 33 is a rear elevation view of FIG. 30.
 FIG. 34 is a left side view of FIG. 30.
 FIG. 35 is a right side view of FIG. 30.
 FIG. 36 is a top plan view of FIG. 30.
 FIG. 37 is a front and left side perspective view of a sixth embodiment, which shows a corresponding view of a sixth sub-keycap, of the keycap set.
 FIG. 38 is a rear and right side perspective view of FIG. 37.
 FIG. 39 is a front elevation view of FIG. 37.
 FIG. 40 is a rear elevation view of FIG. 37.
 FIG. 41 is a left side view of FIG. 37.
 FIG. 42 is a right side view of FIG. 37.
 FIG. 43 is a top plan view of FIG. 37.
 FIG. 44 is a bottom plan view of FIG. 37.
 FIG. 45 is a front and left side perspective view of a seventh embodiment, which shows a corresponding view of a seventh sub-keycap, of the keycap set.
 FIG. 46 is a rear and right side perspective view of FIG. 45.
 FIG. 47 is a front elevation view of FIG. 45.
 FIG. 48 is a rear elevation view of FIG. 45.
 FIG. 49 is a left side view of FIG. 45.
 FIG. 50 is a top plan view of FIG. 45; and,
 FIG. 51 is a bottom plan view of FIG. 45.
 The broken lines in the drawings depict portions of the keycap set that form no part of the claimed design. The

oblique line shading shown in the drawings indicates a transparent or translucent surface.

1 Claim, 51 Drawing Sheets

(58) **Field of Classification Search**
 CPC H01H 2219/036; H01H 2219/054; H01H 2223/03; B41J 5/12
 See application file for complete search history.

(56) **References Cited**

U.S. PATENT DOCUMENTS

D311,913	S *	11/1990	Schaum	D14/456
10,115,538	B2 *	10/2018	Wang	H01H 13/023
D923,634	S	6/2021	Han	
11,404,224	B1 *	8/2022	Yu	H01H 13/70
2004/0042836	A1 *	3/2004	Al-Raheem	H01H 13/83
				400/490
2004/0081503	A1 *	4/2004	Al-Raheem	B41J 5/12
				400/487
2020/0321169	A1 *	10/2020	Xiao	H01H 13/14
2020/0321171	A1 *	10/2020	Xiao	H01H 13/83
2023/0108859	A1 *	4/2023	Wang	H01H 13/705
				200/341

* cited by examiner

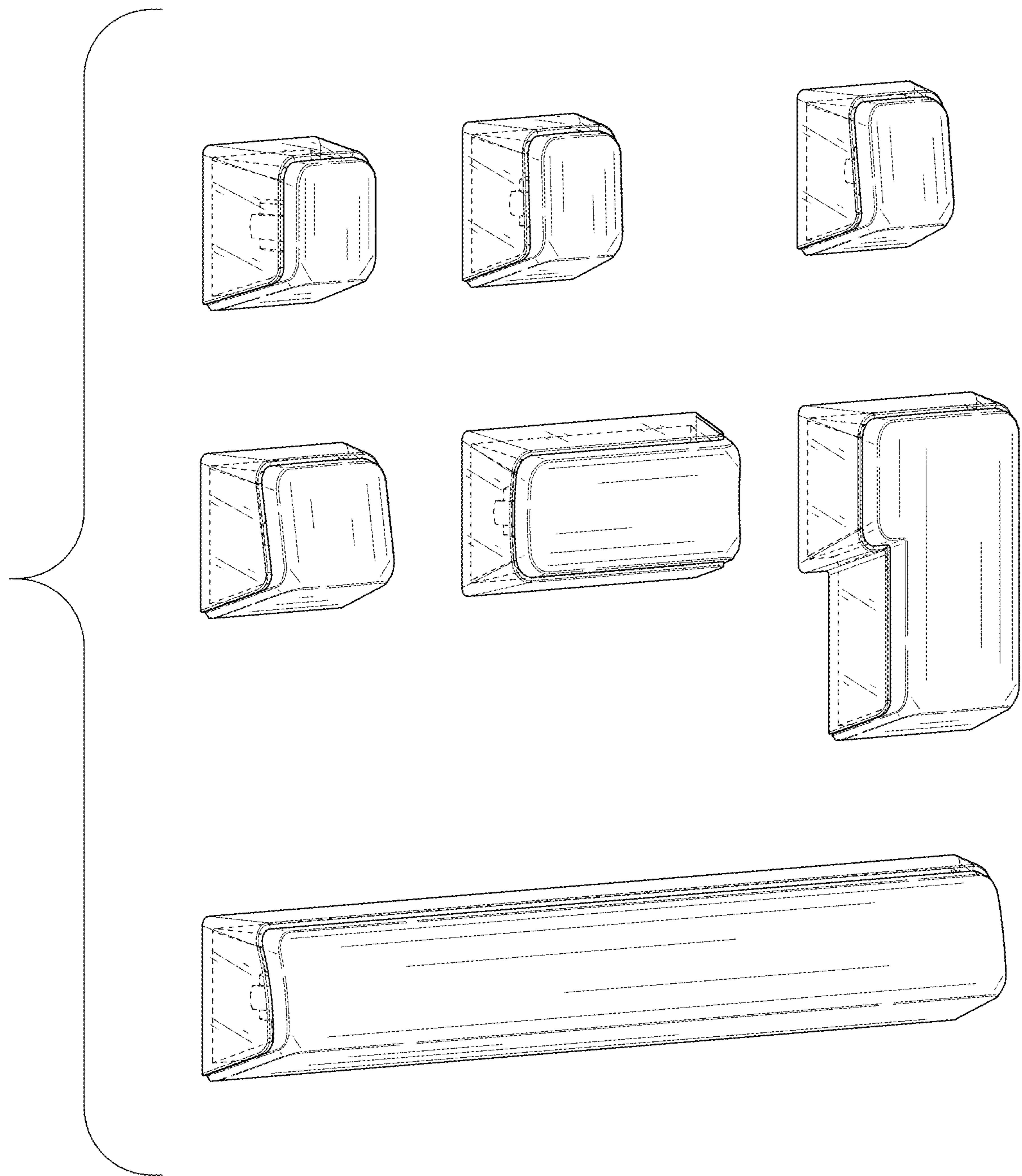


FIG. 1

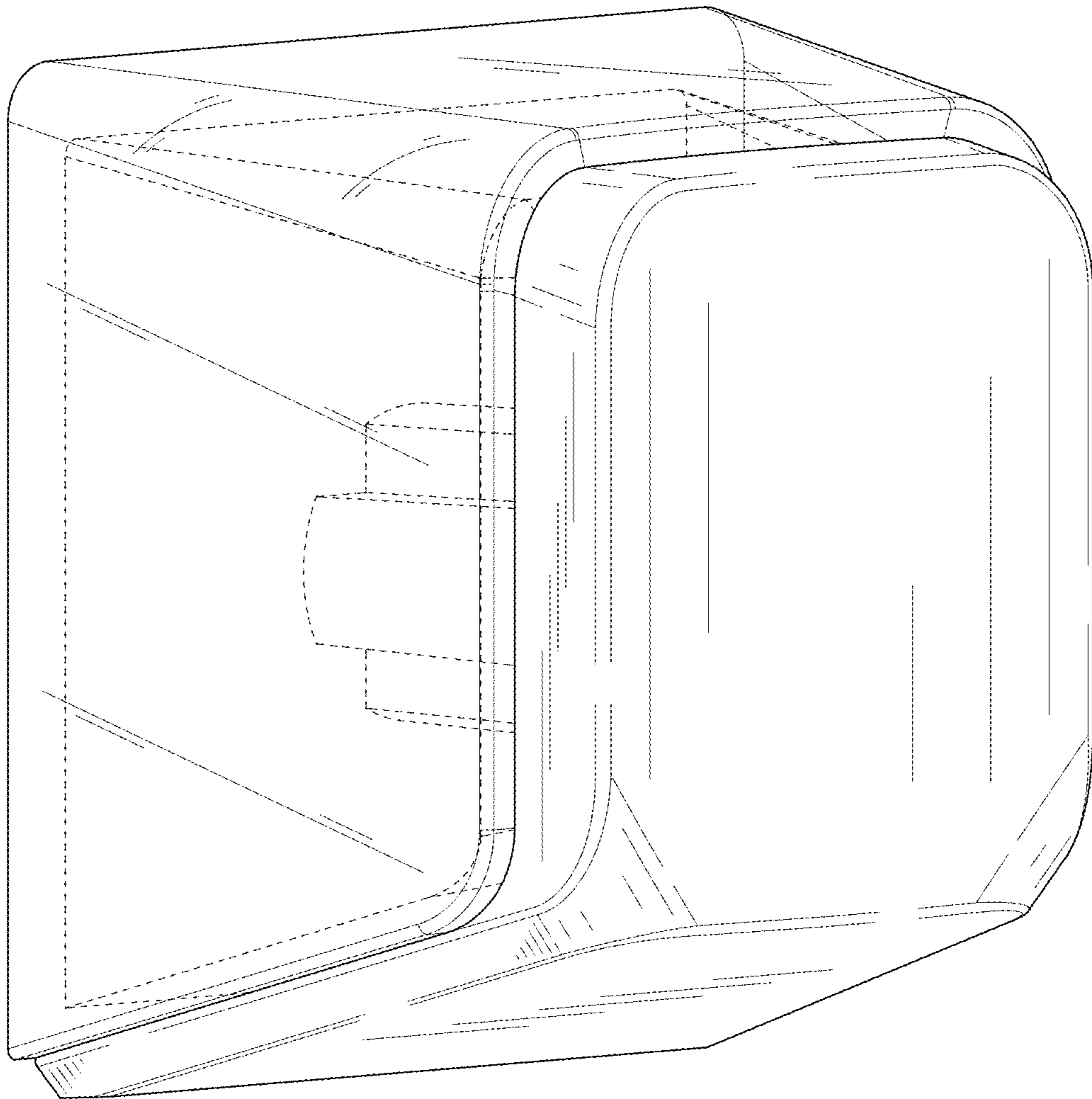


FIG. 2

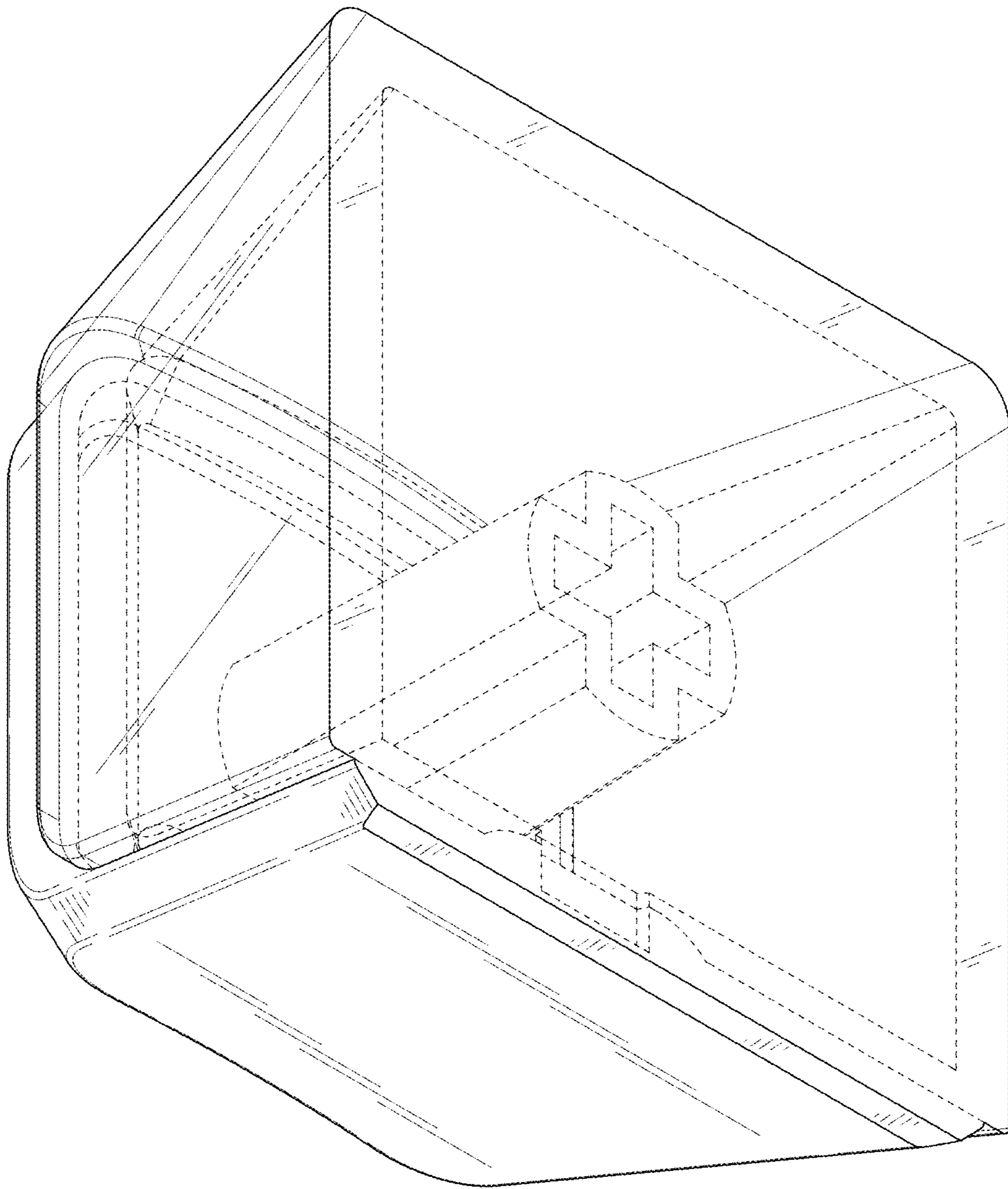


FIG. 3

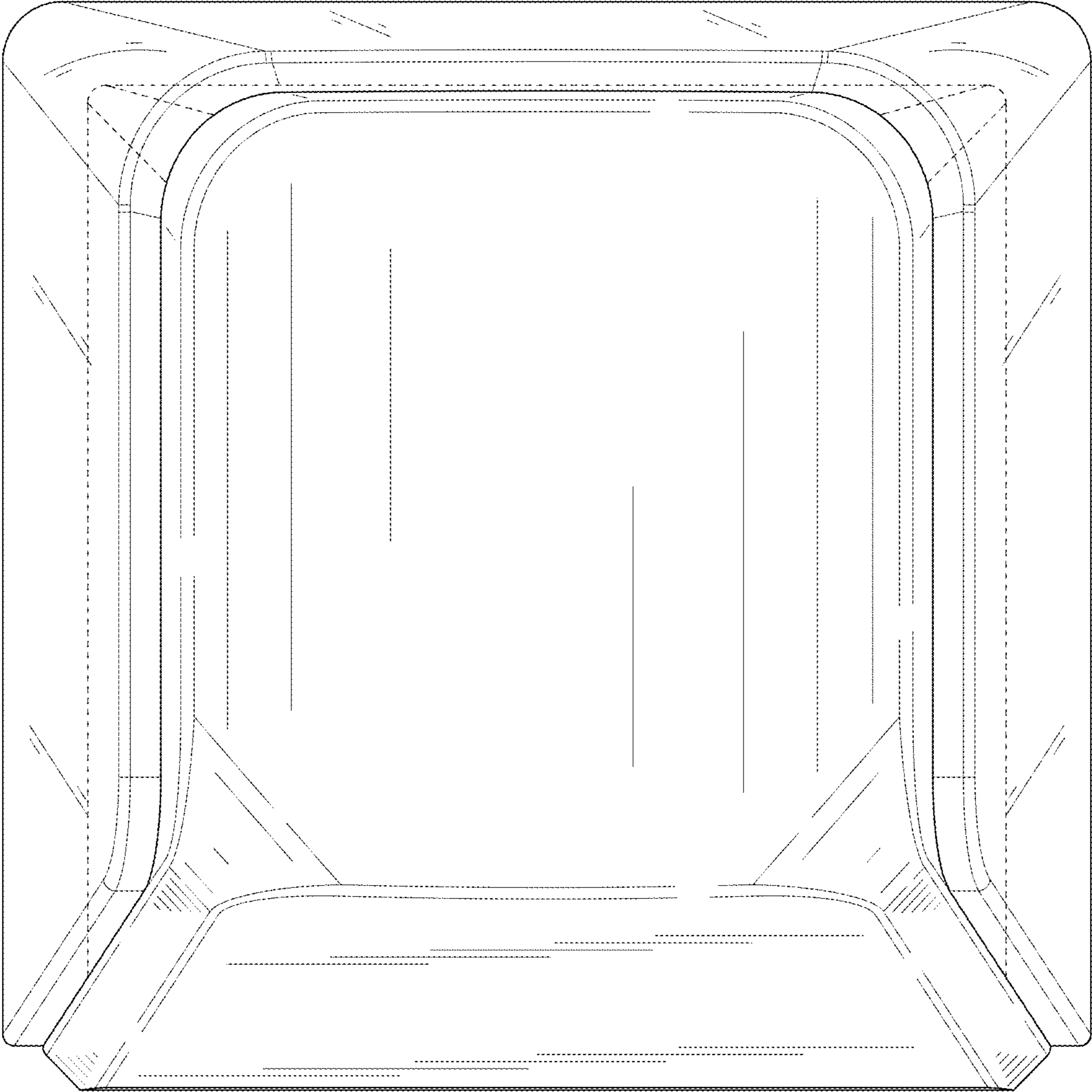


FIG. 4

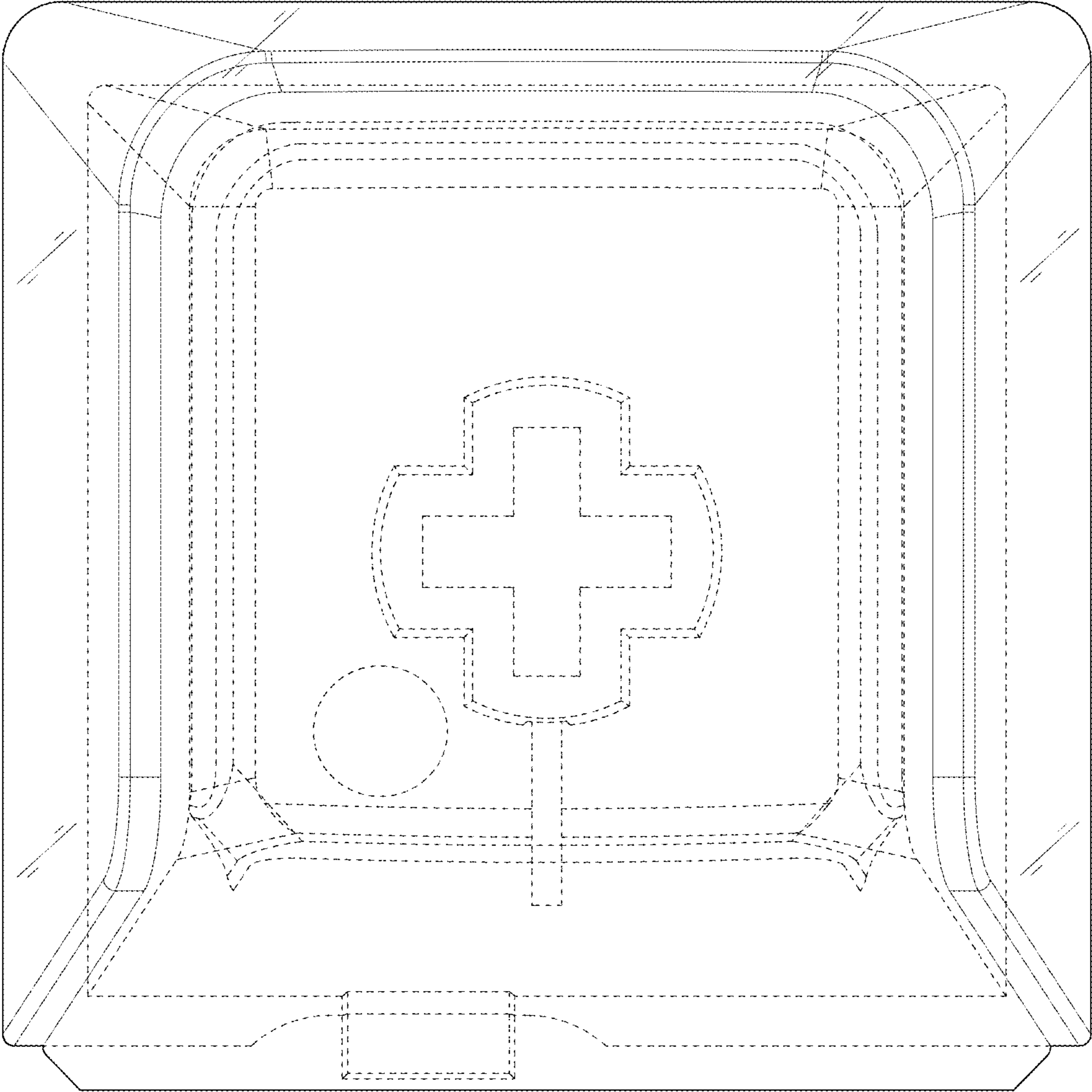


FIG. 5

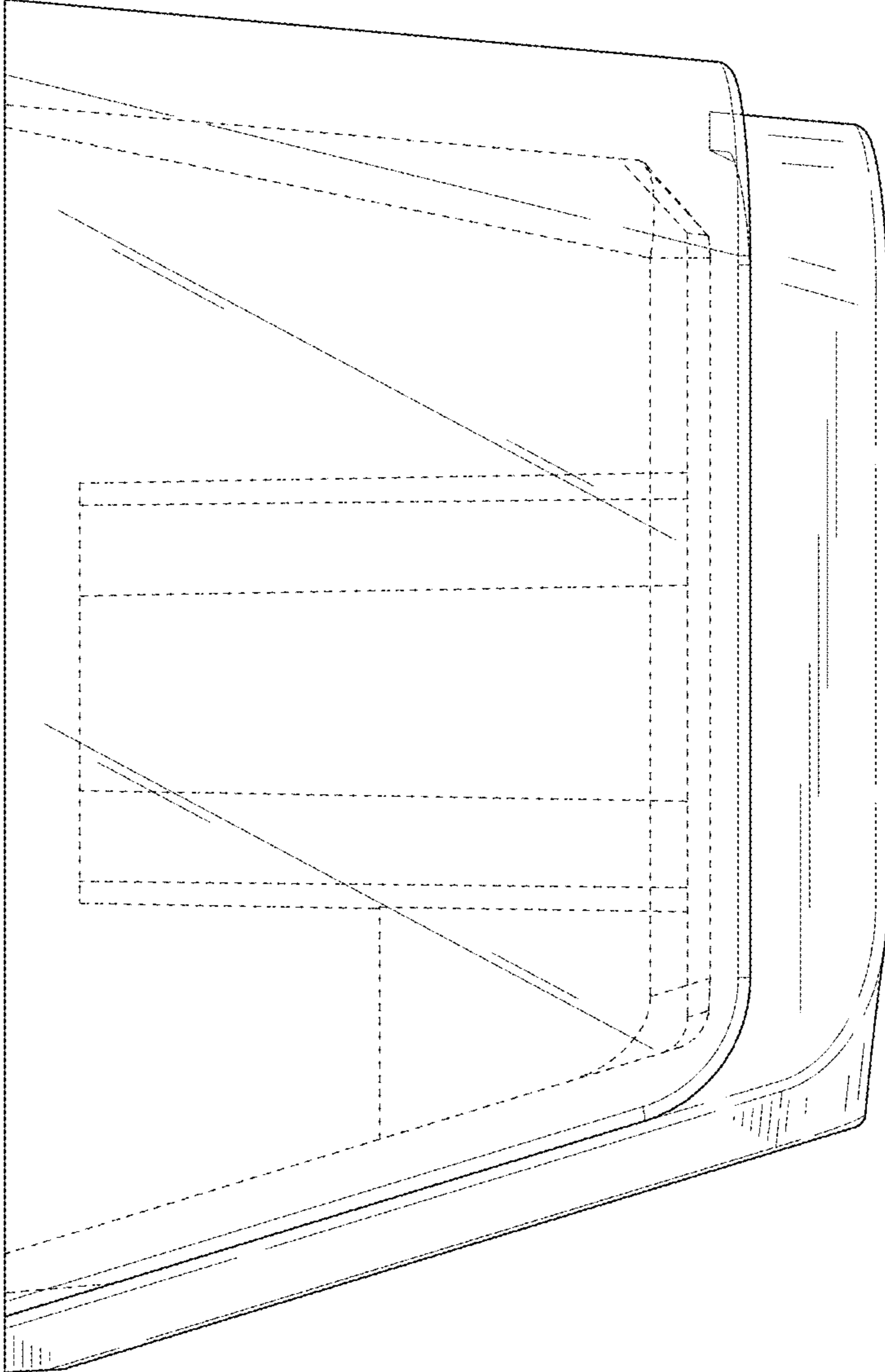


FIG. 6

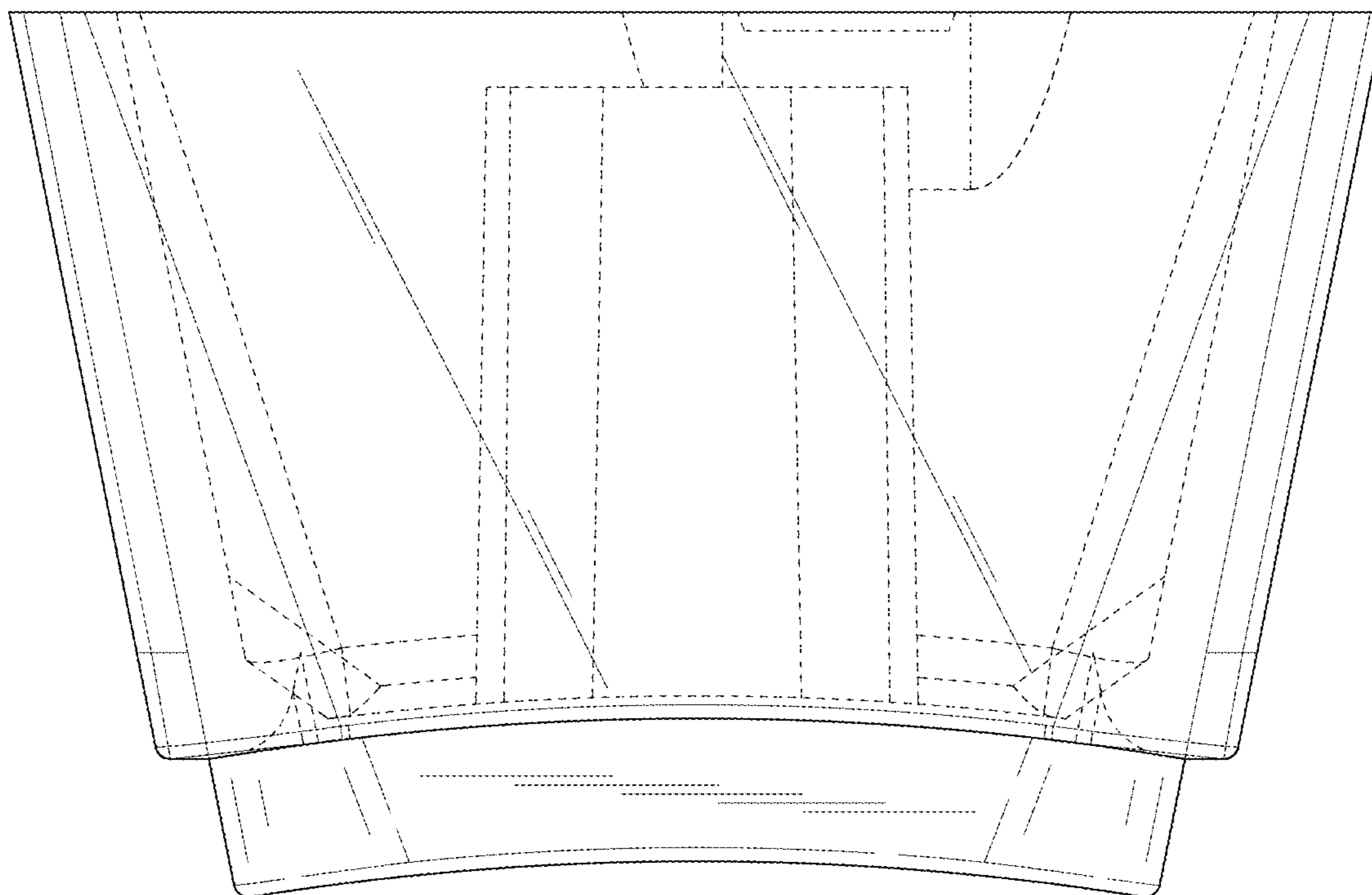


FIG. 7

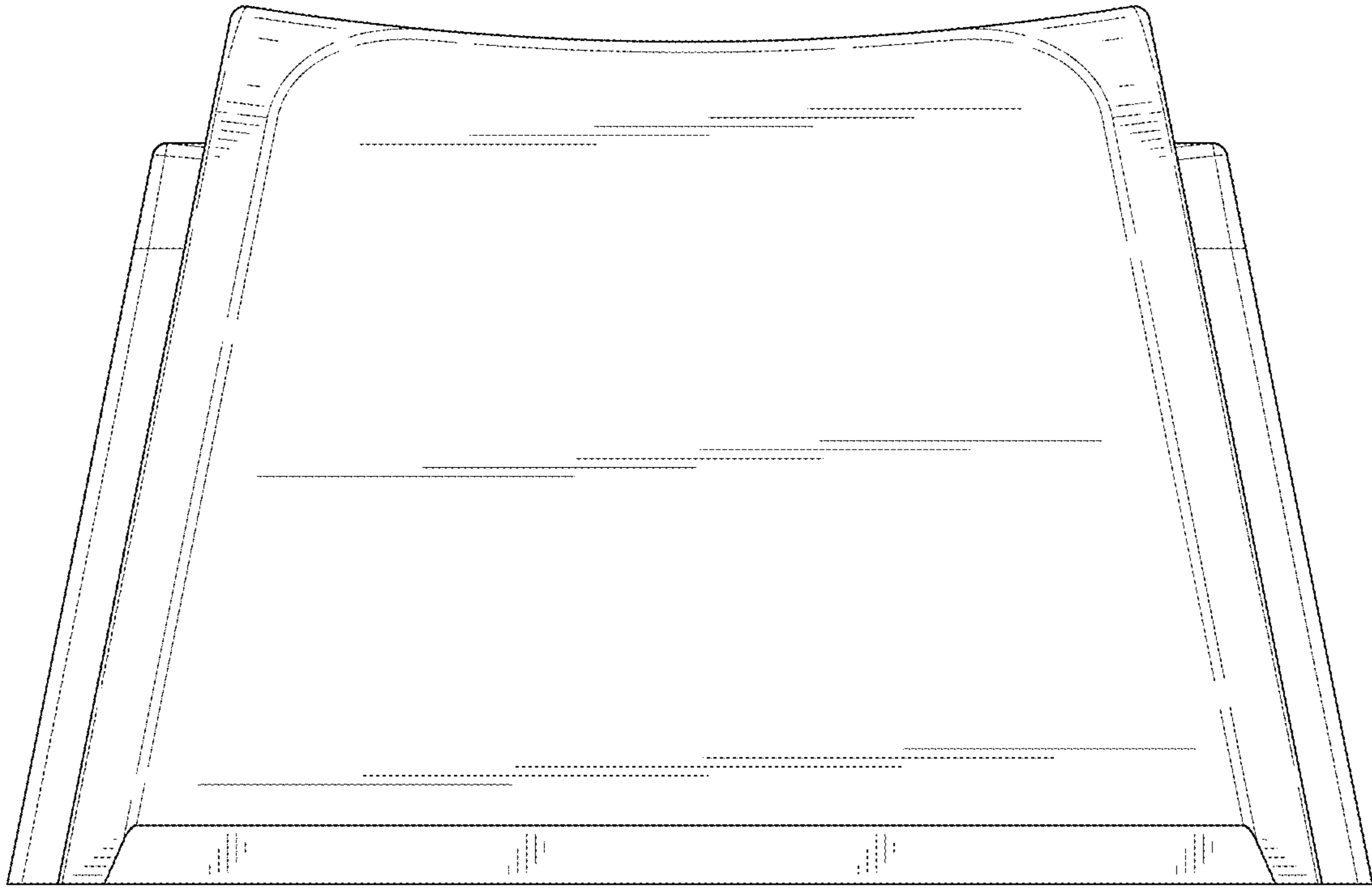


FIG. 8

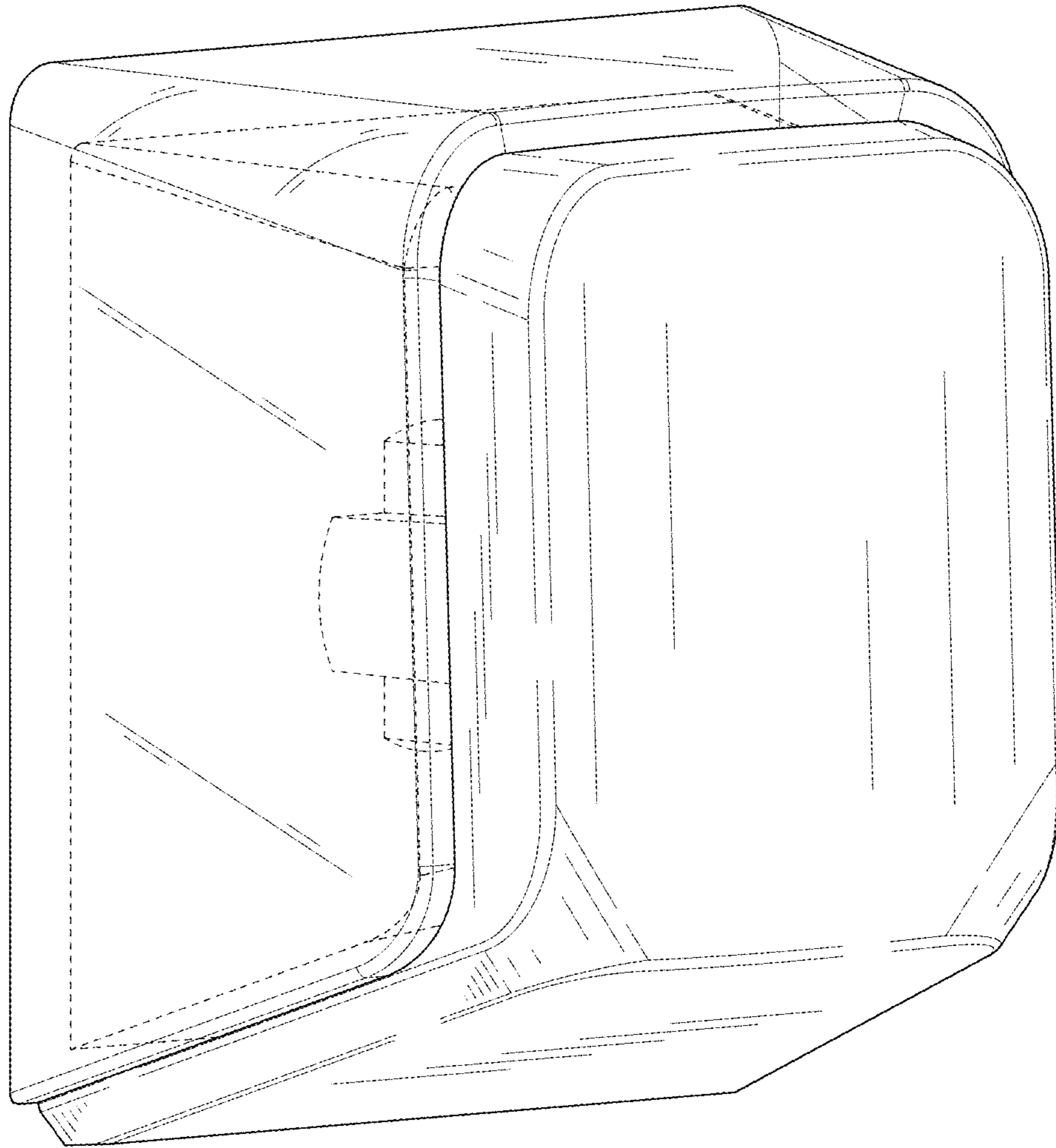


FIG. 9

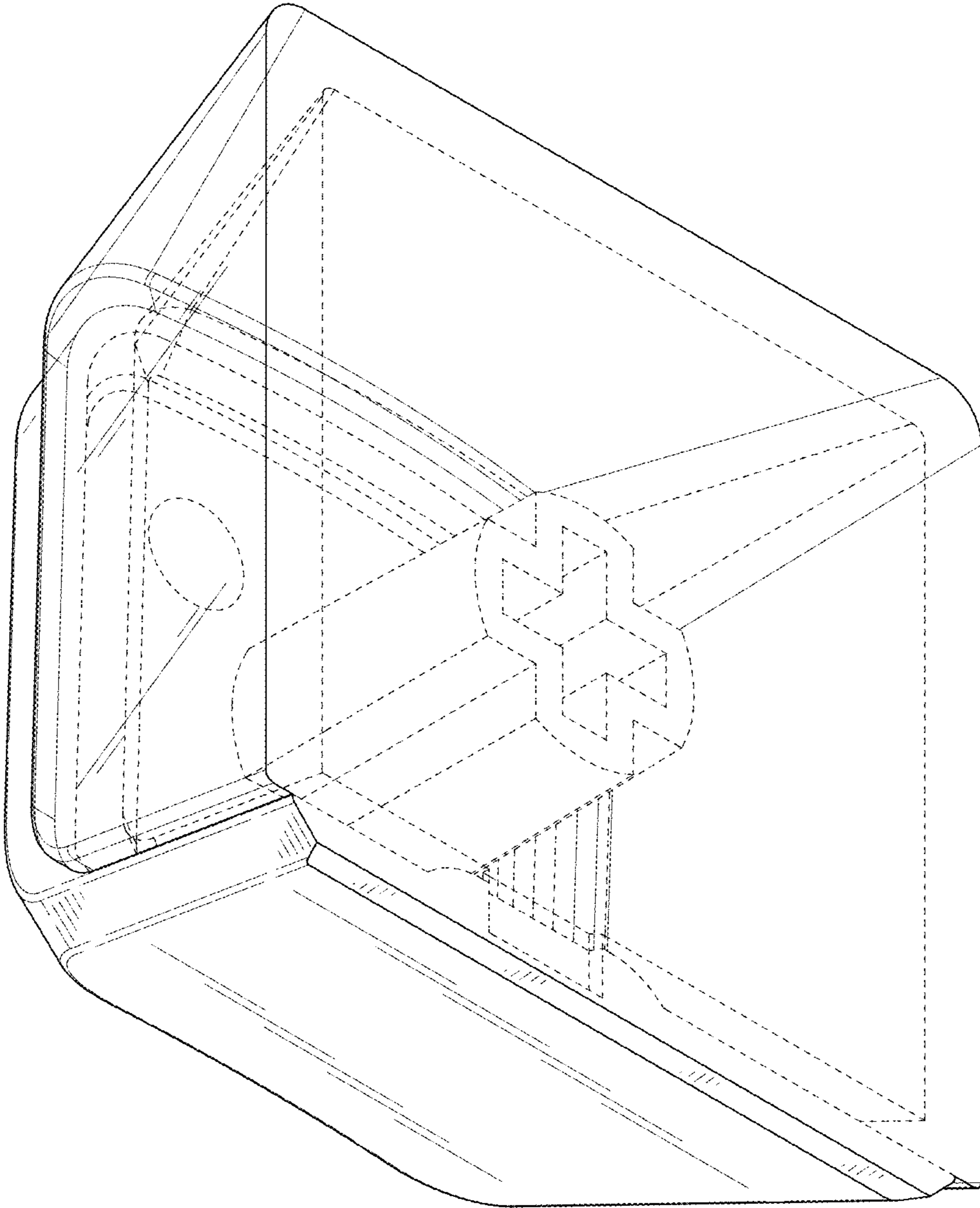


FIG. 10

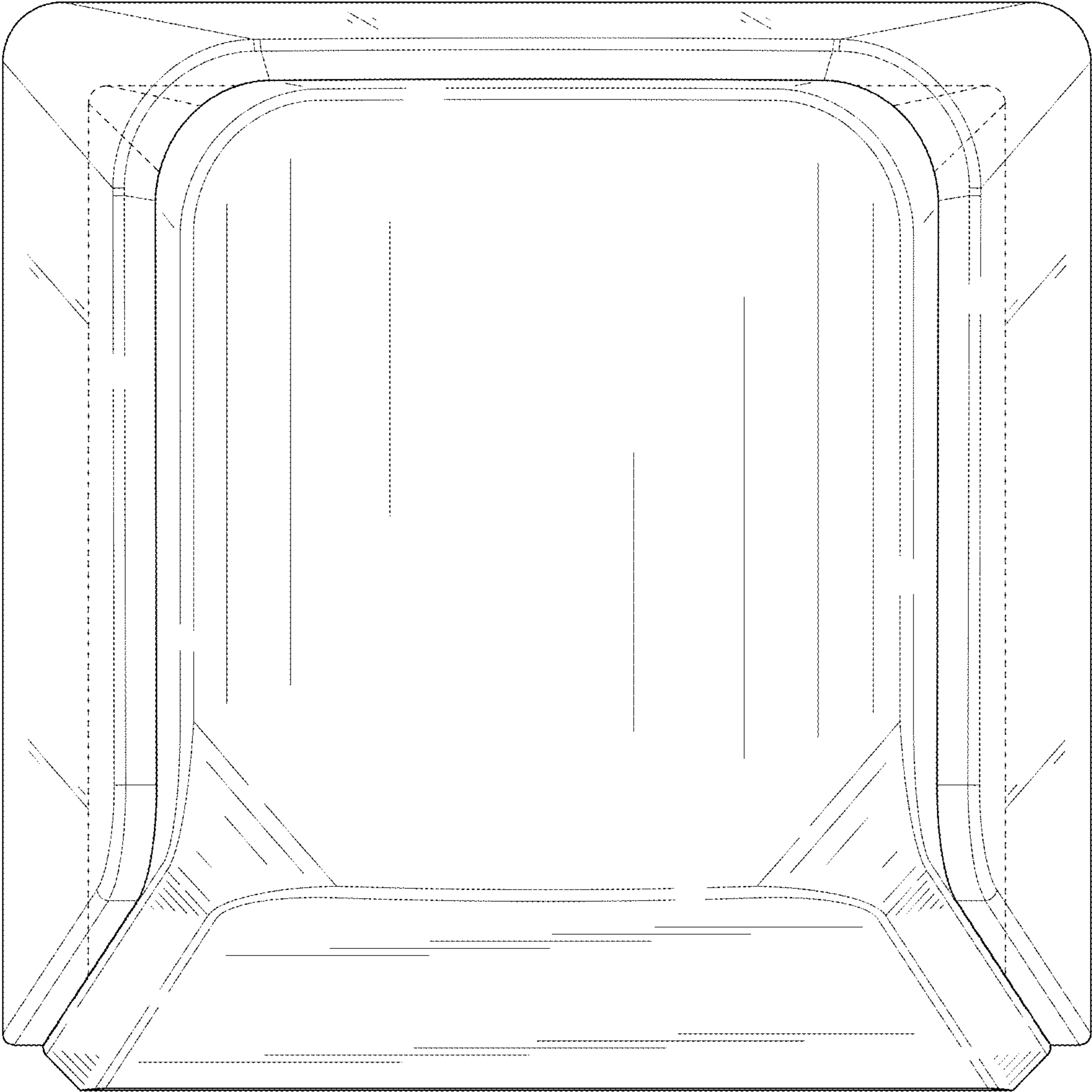


FIG. 11

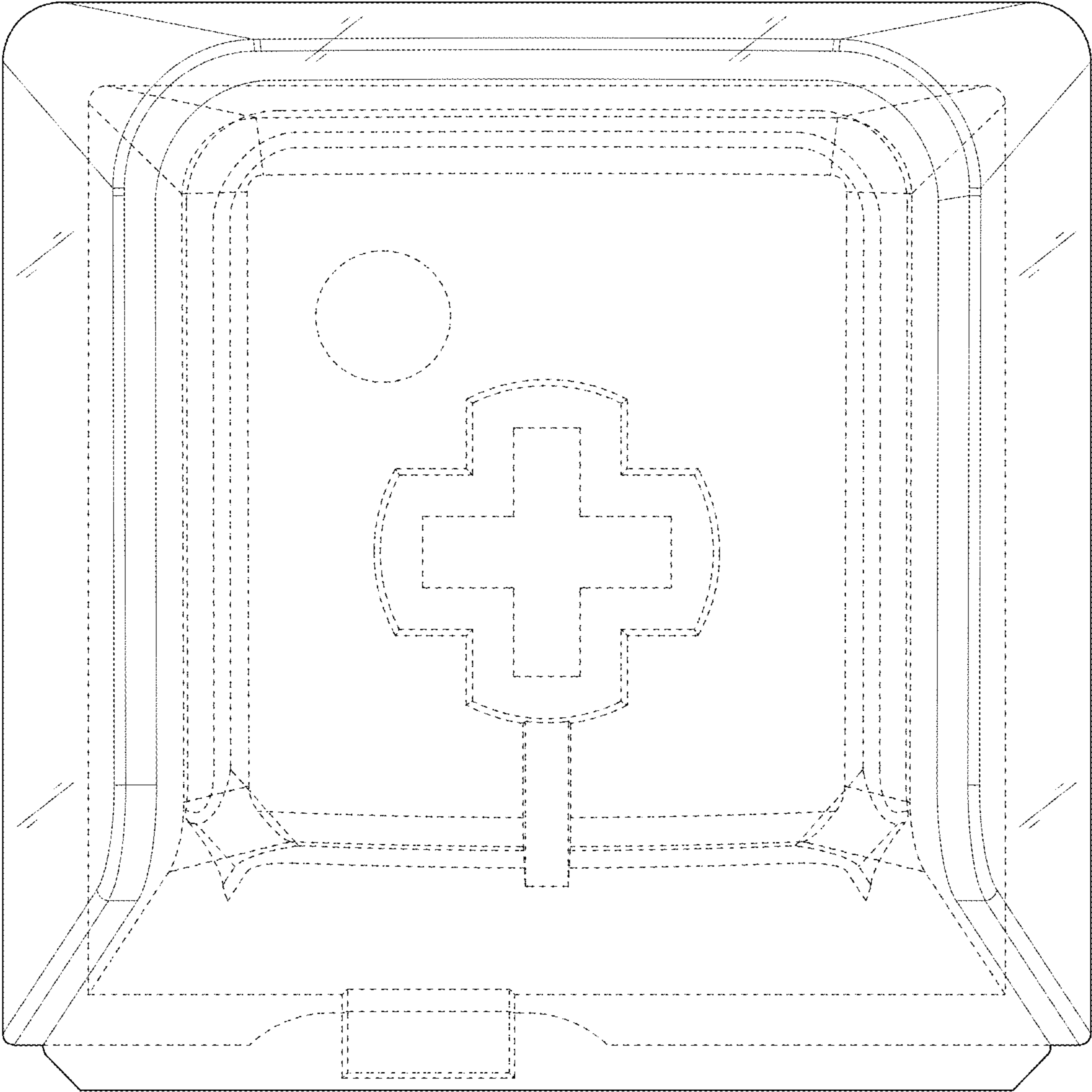


FIG. 12

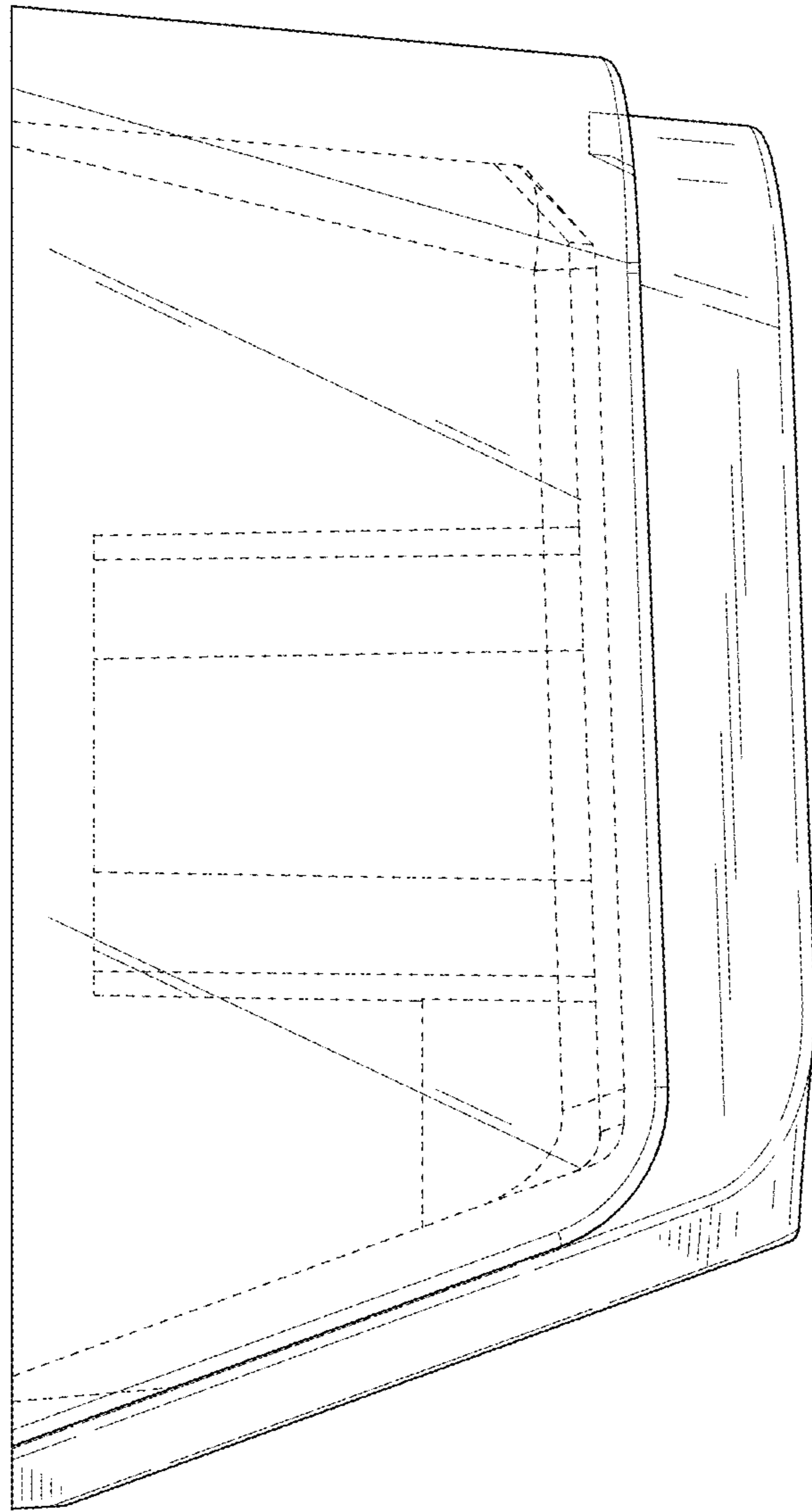


FIG. 13

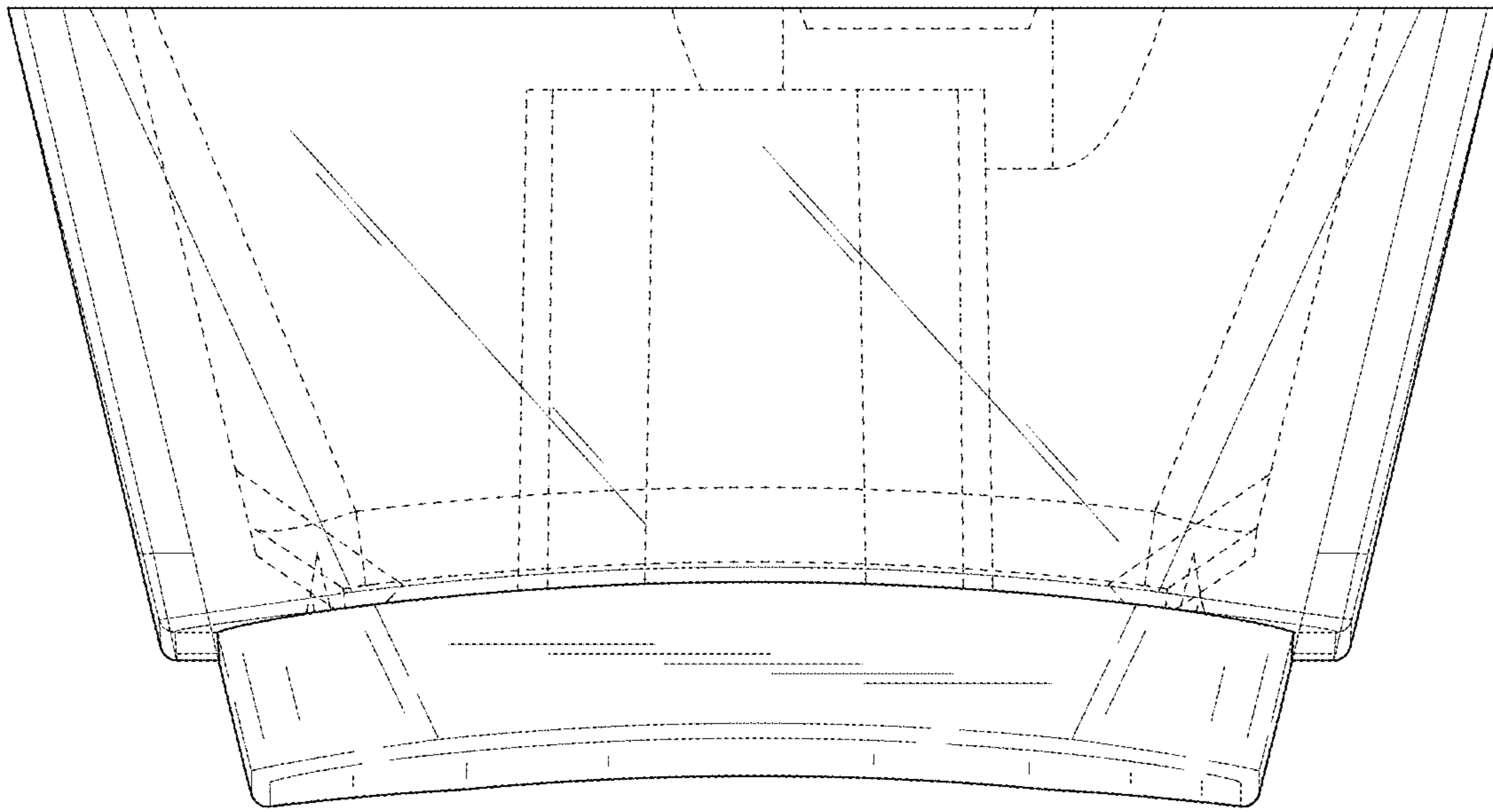


FIG. 14

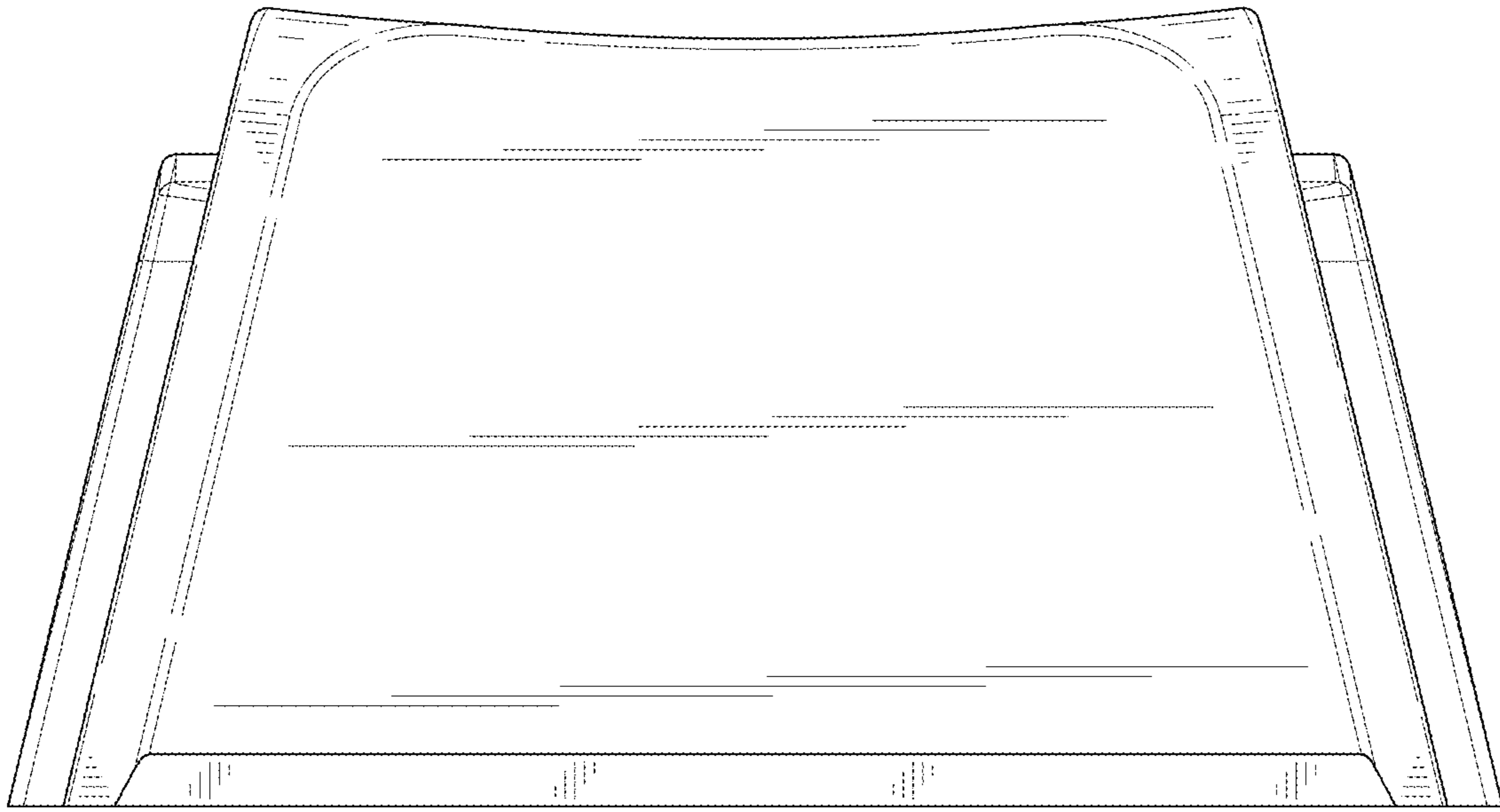


FIG. 15

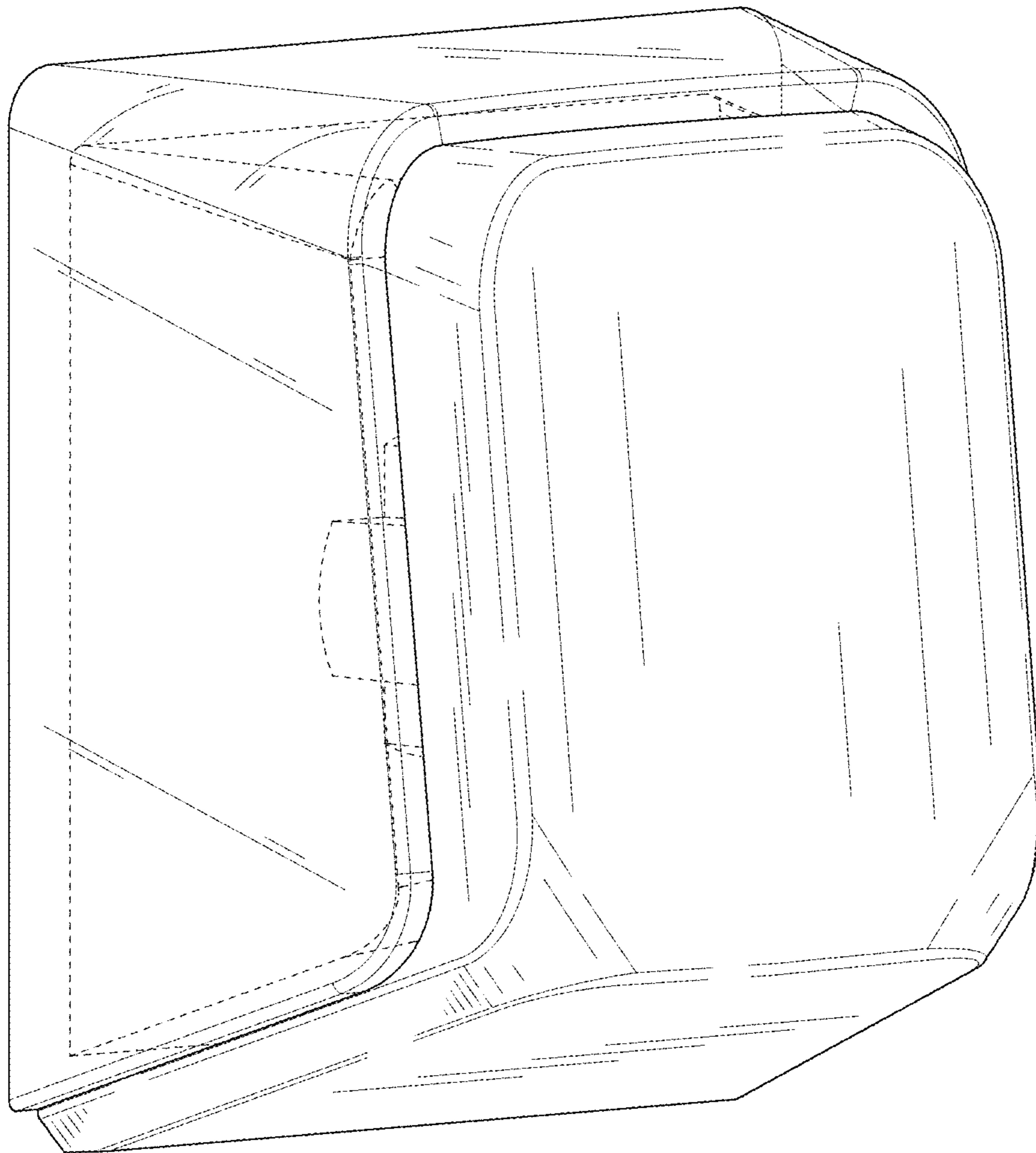


FIG. 16

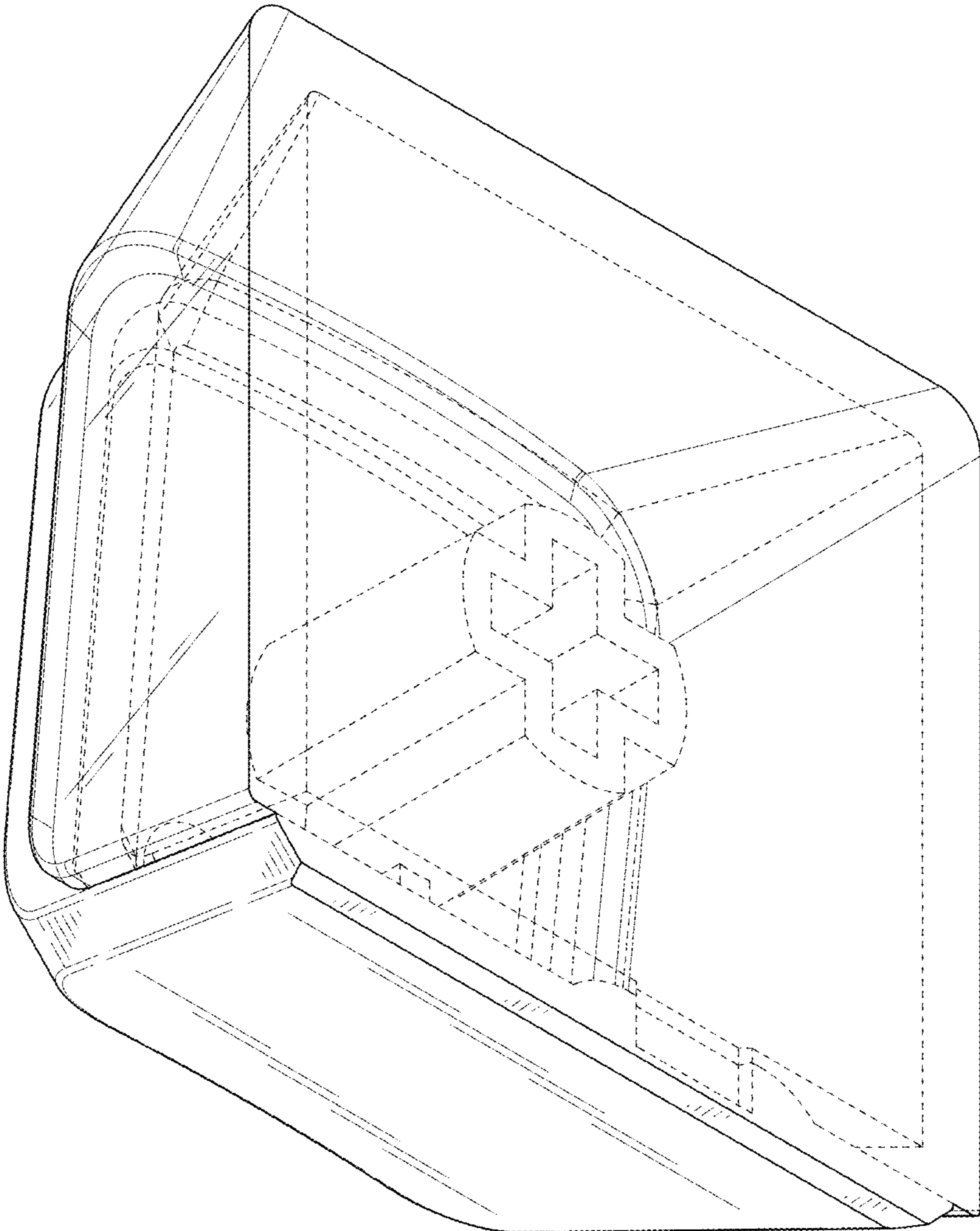


FIG. 17

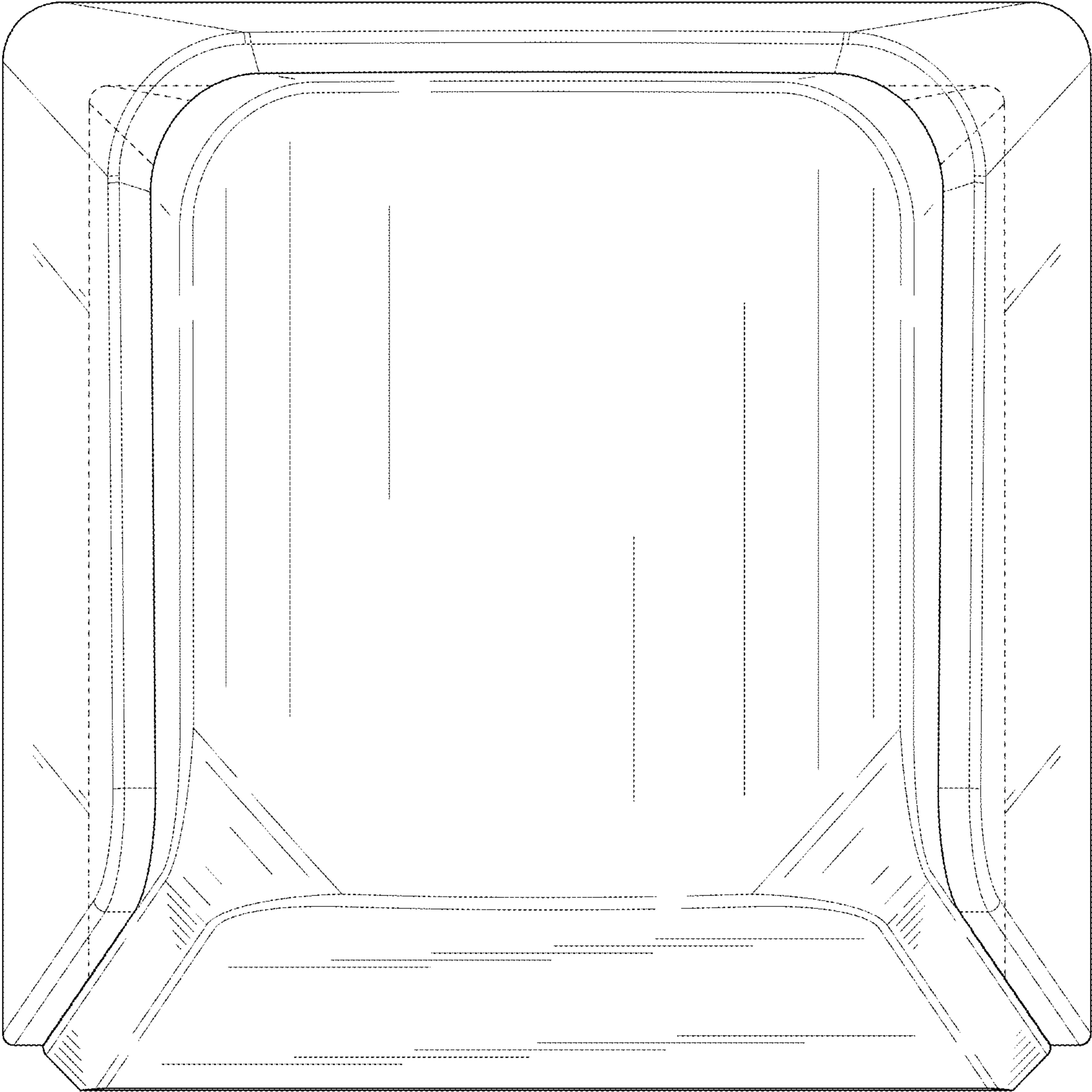


FIG. 18

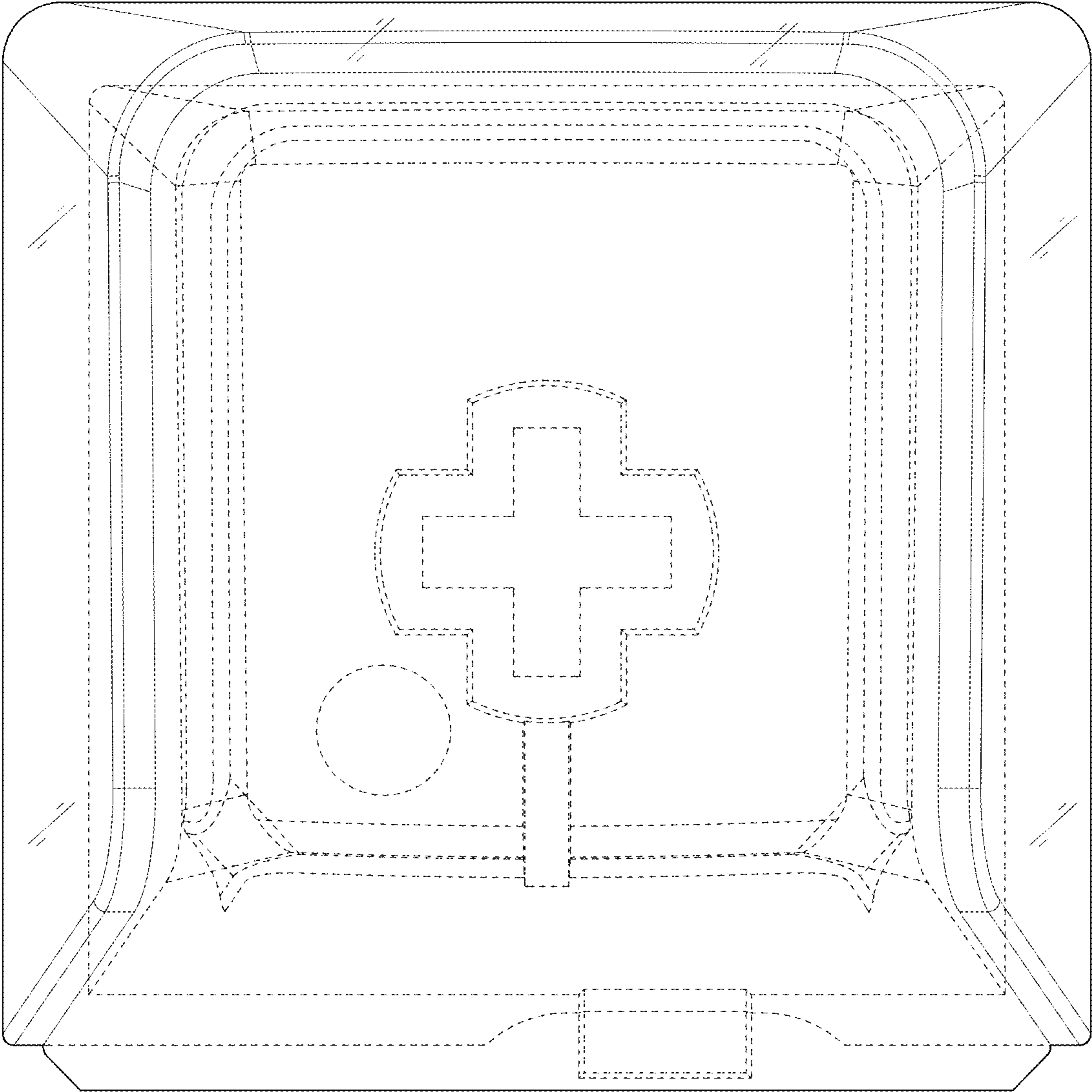


FIG. 19

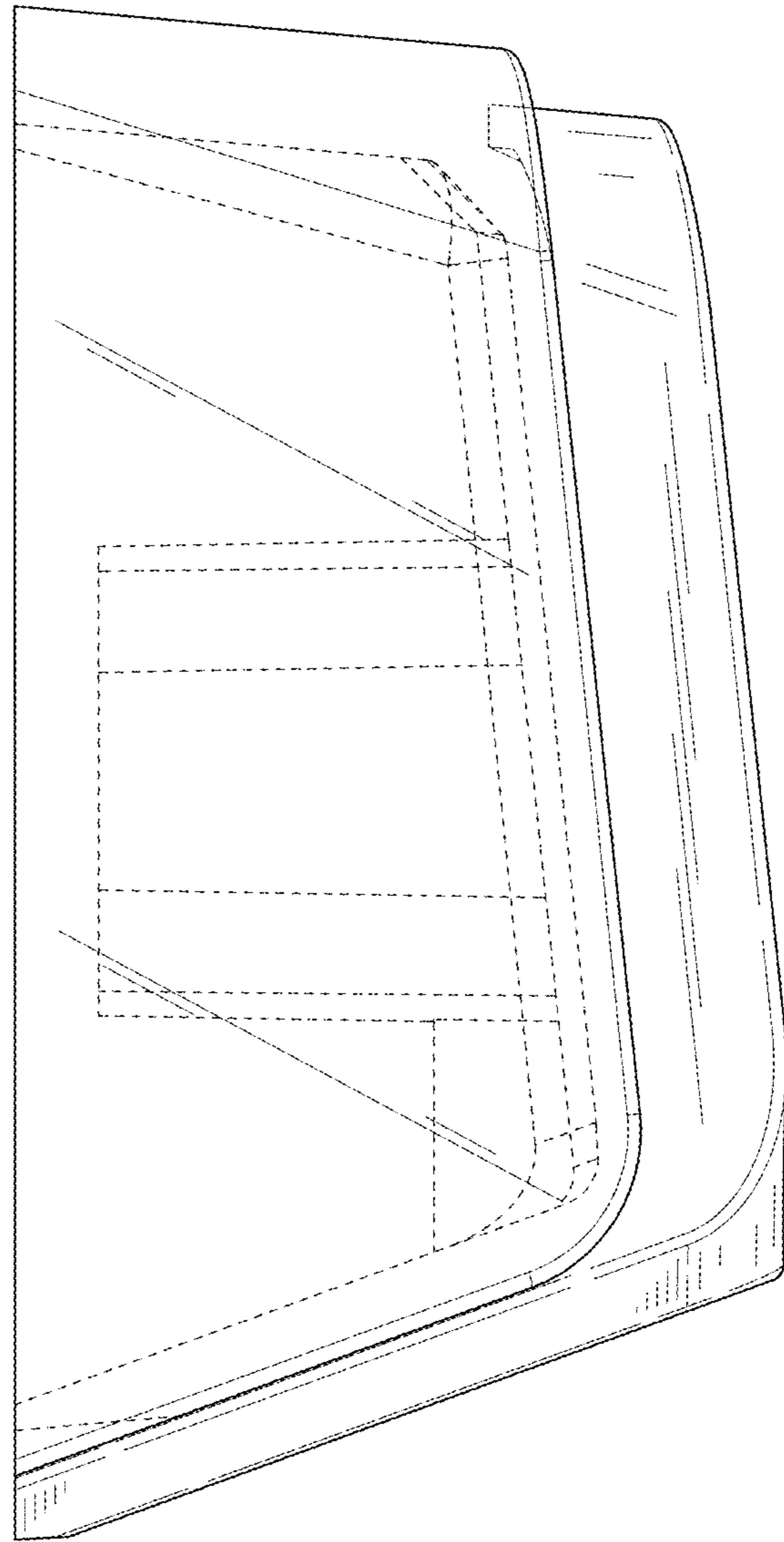


FIG. 20

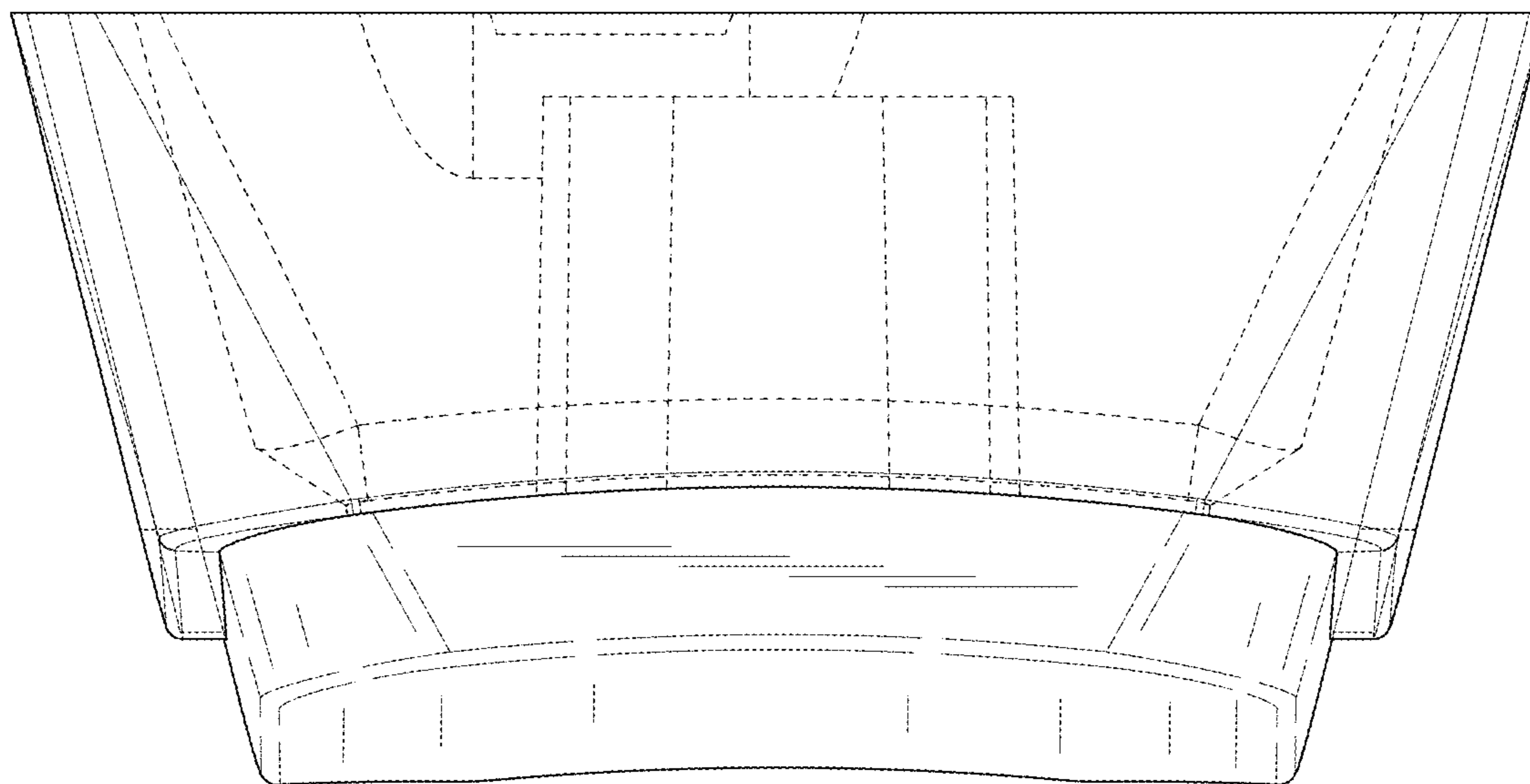


FIG. 21

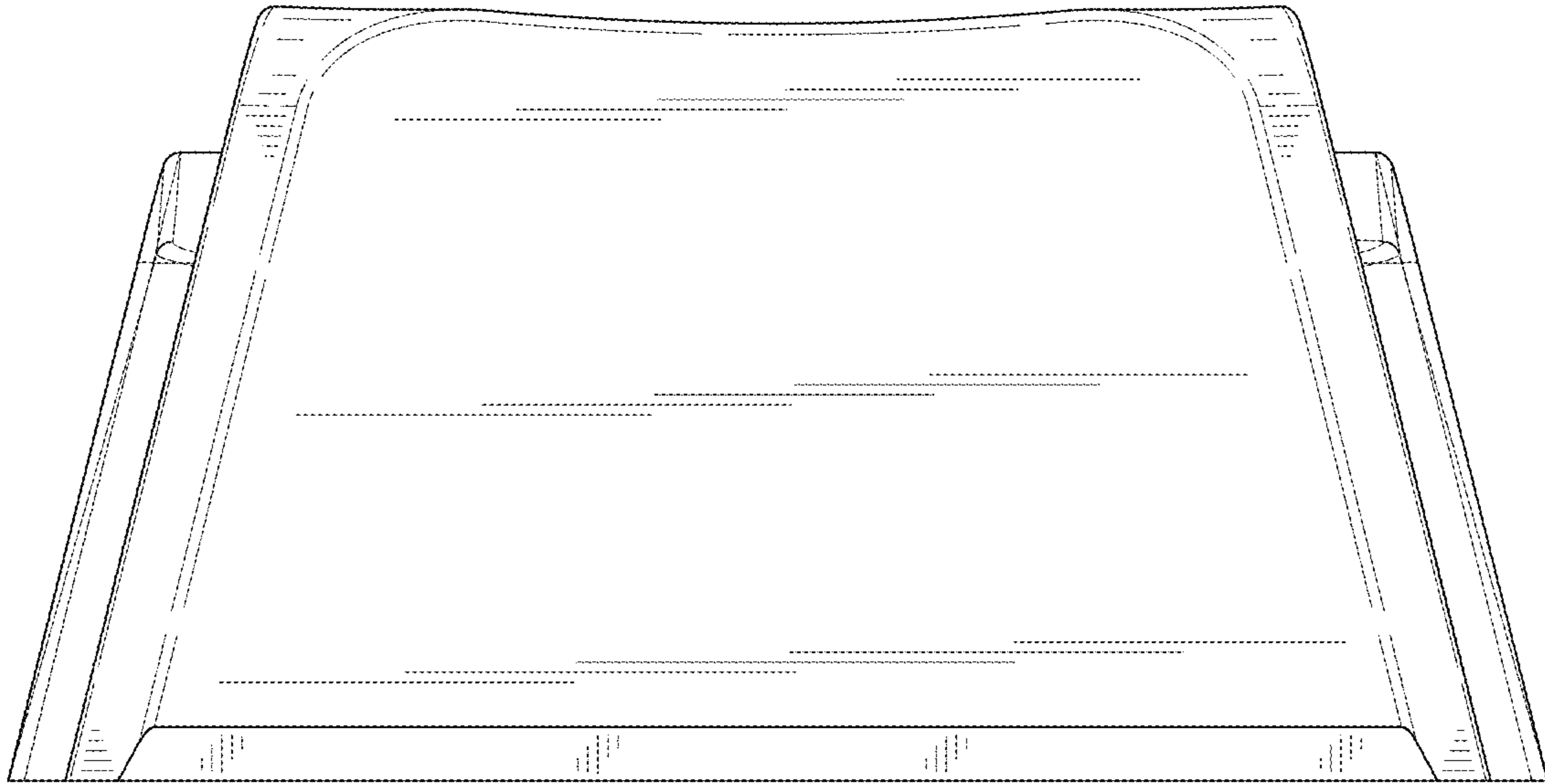


FIG. 22

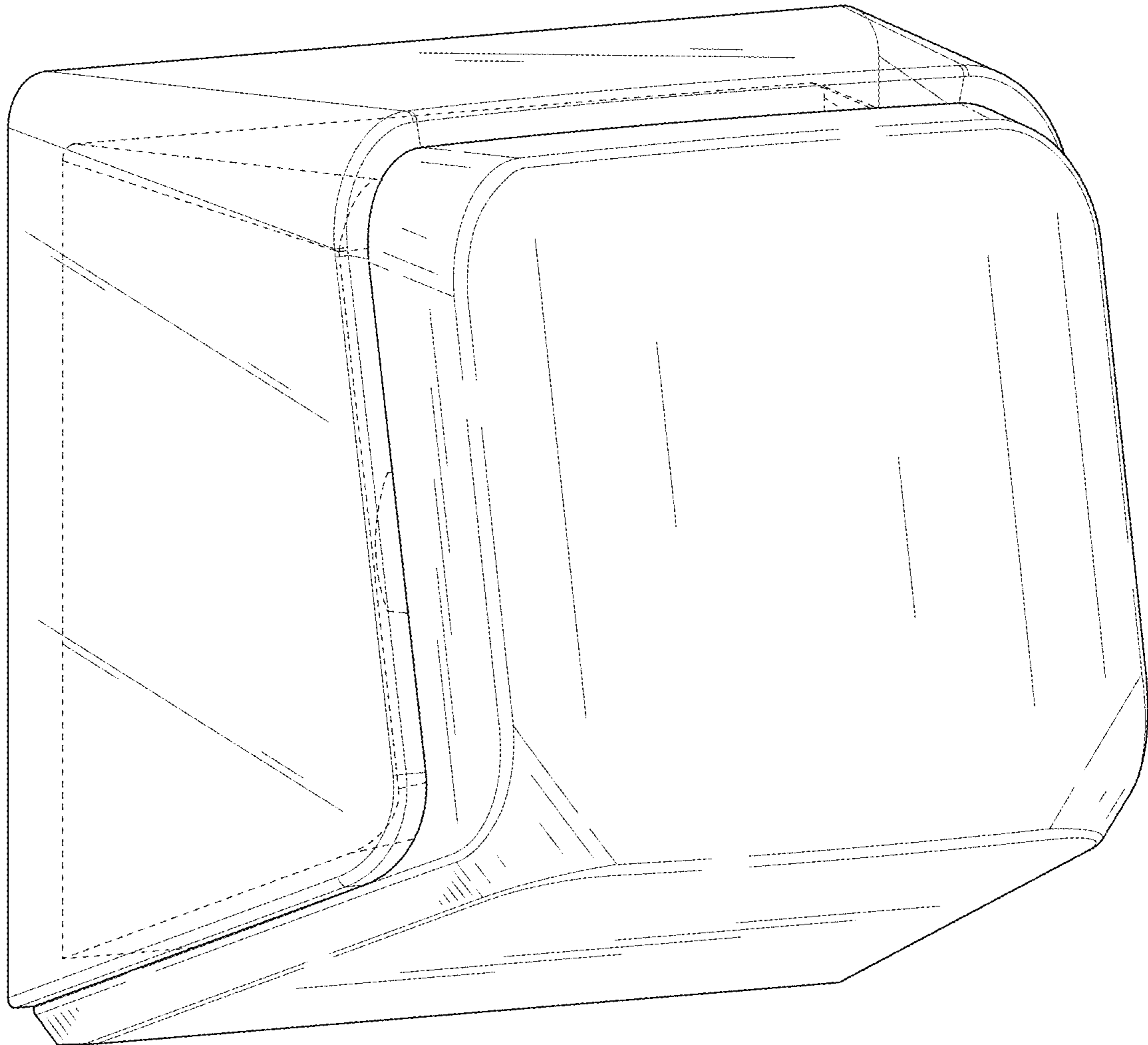


FIG. 23

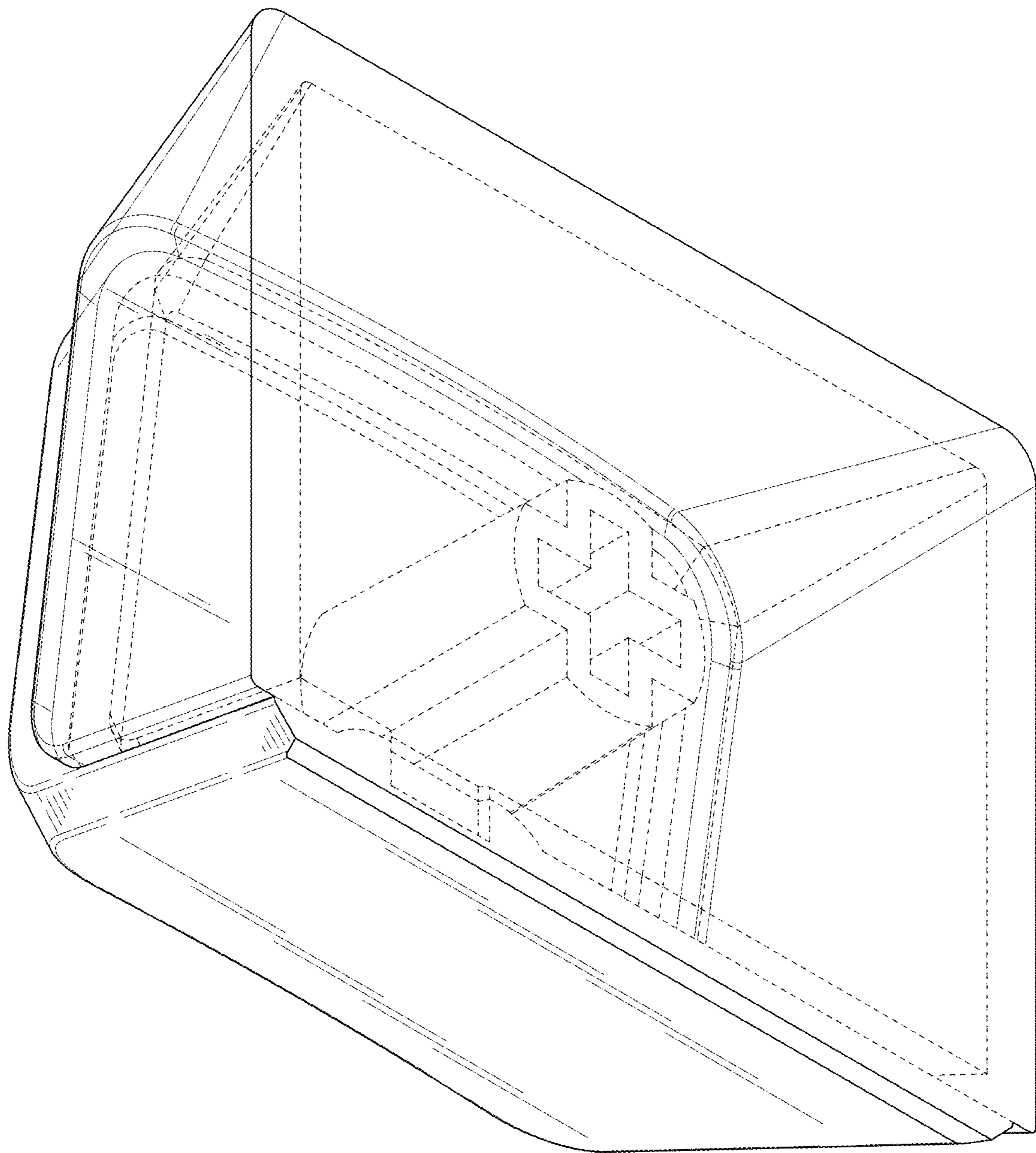


FIG. 24

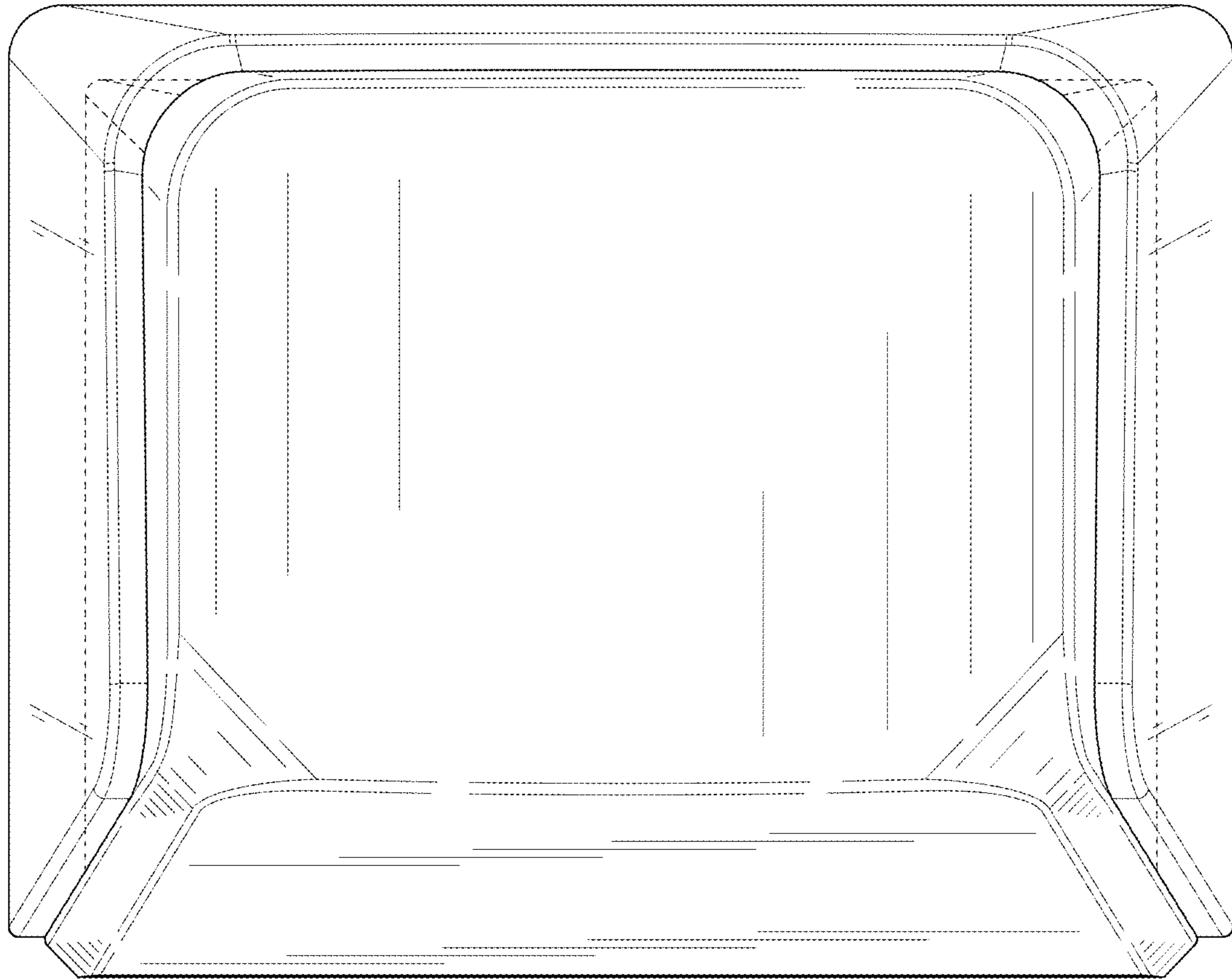


FIG. 25

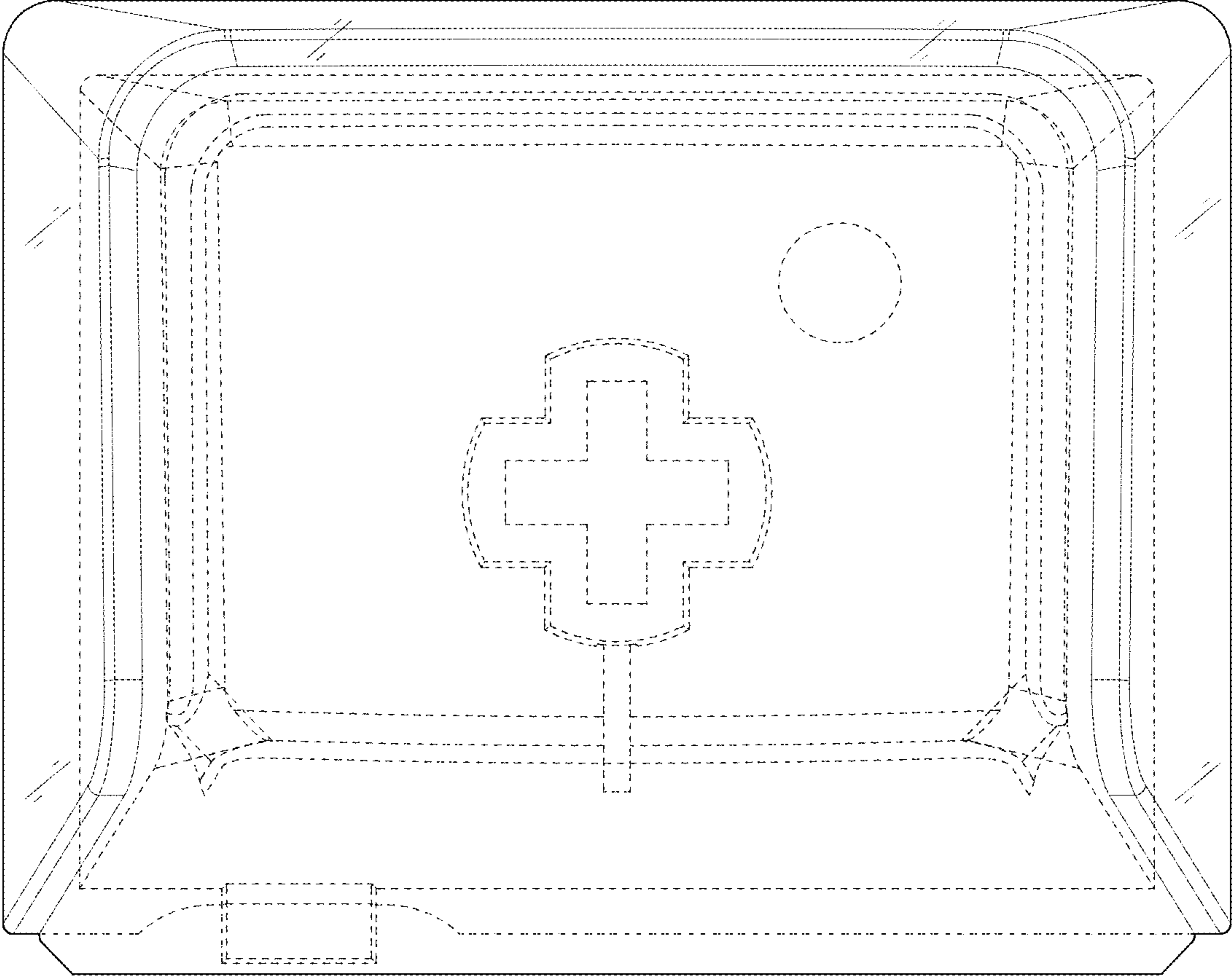


FIG. 26

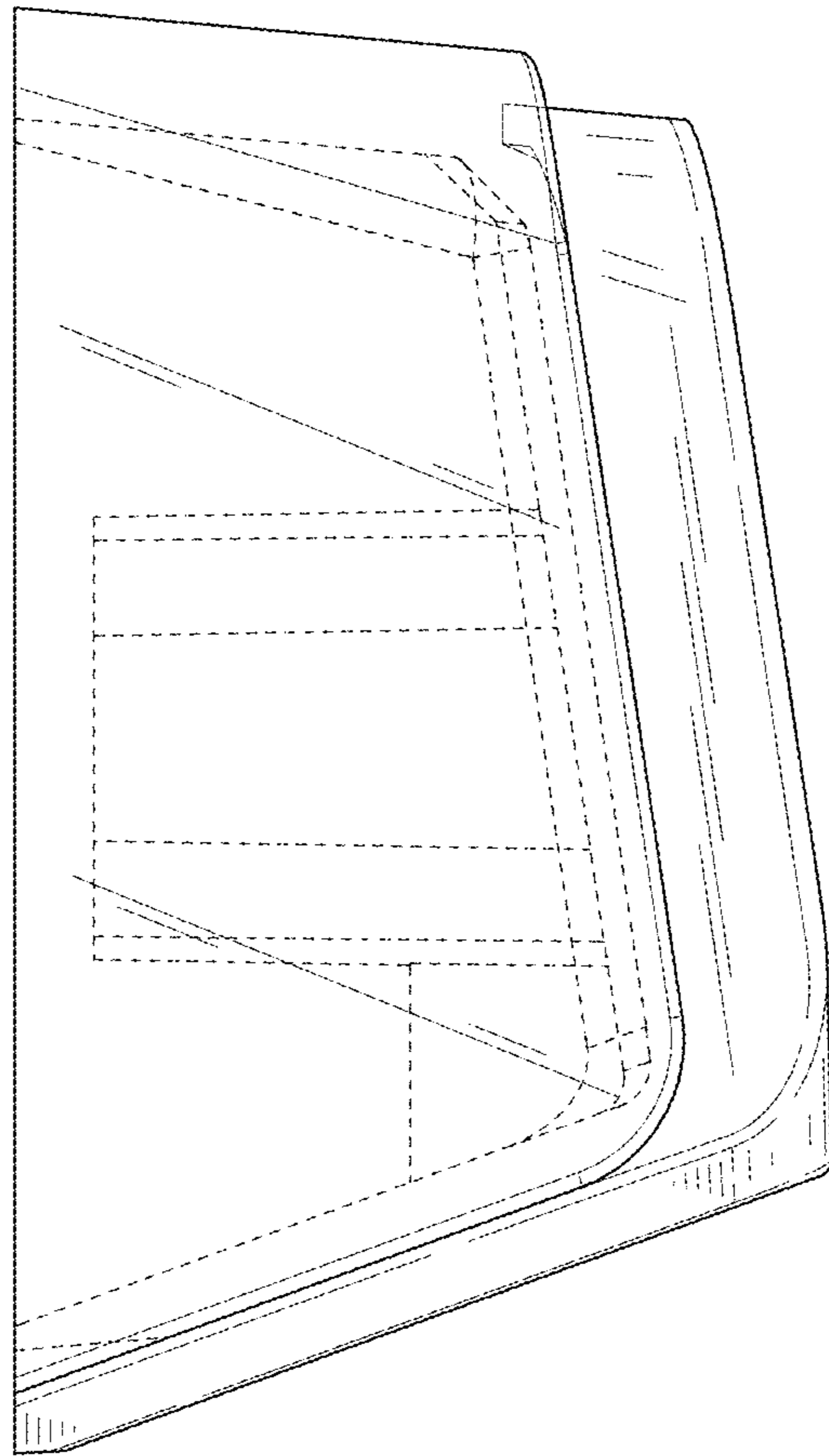


FIG. 27

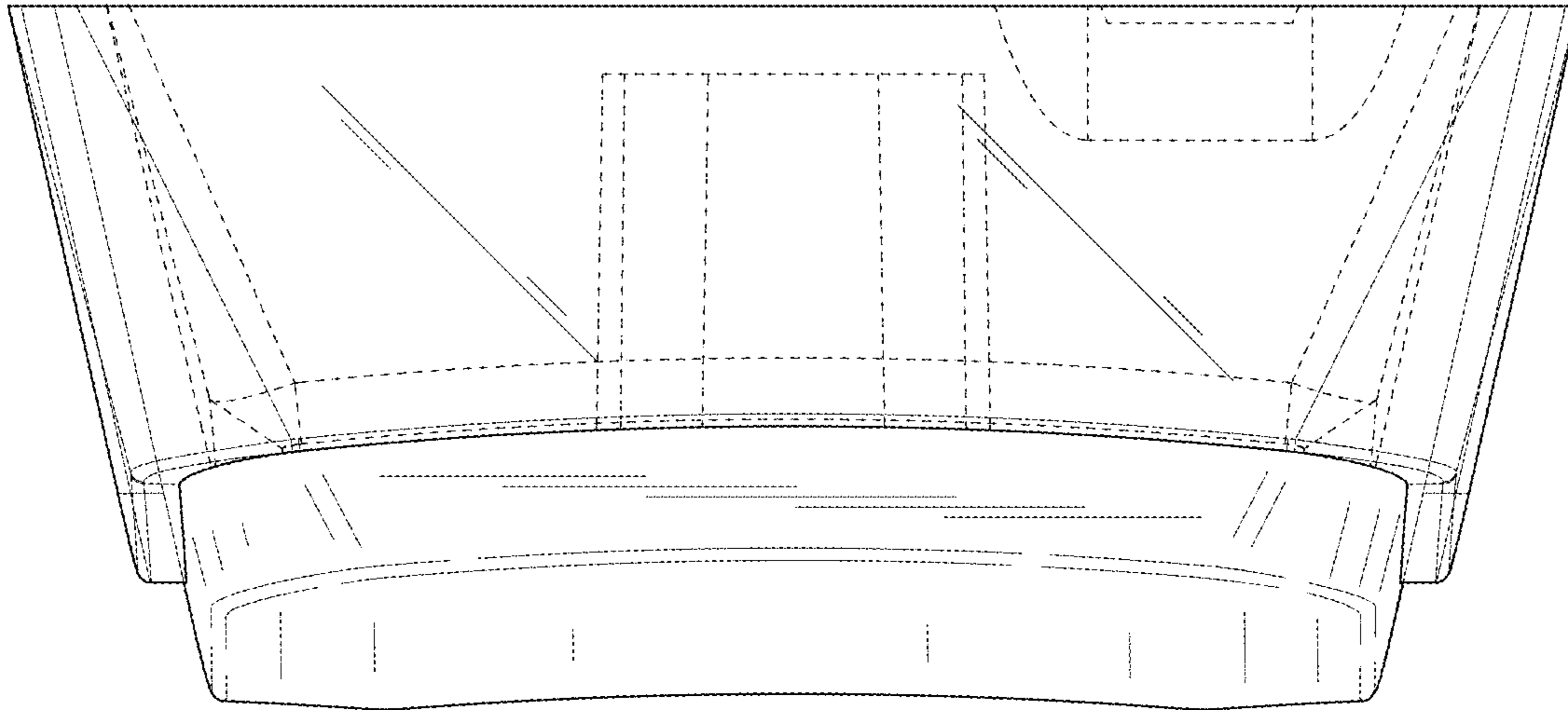


FIG. 28

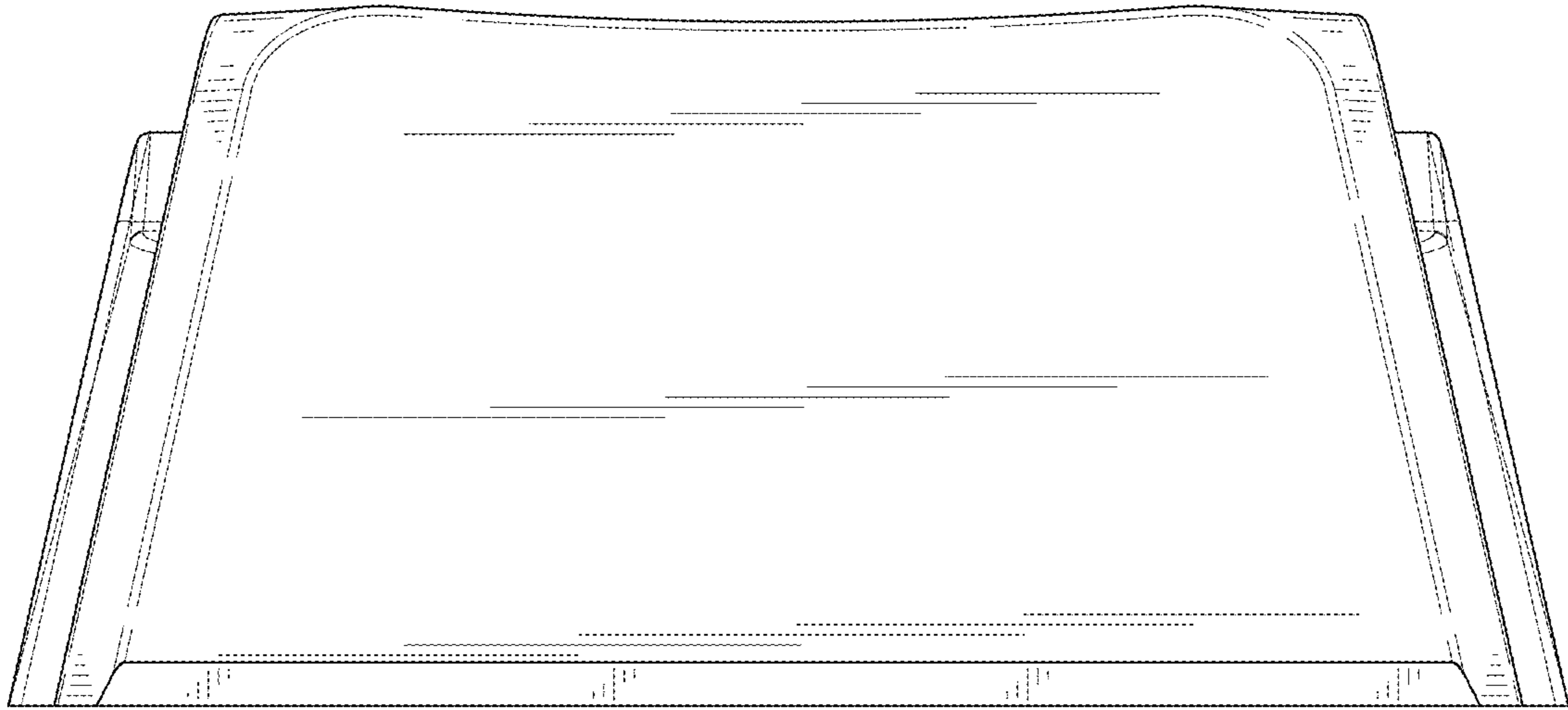


FIG. 29

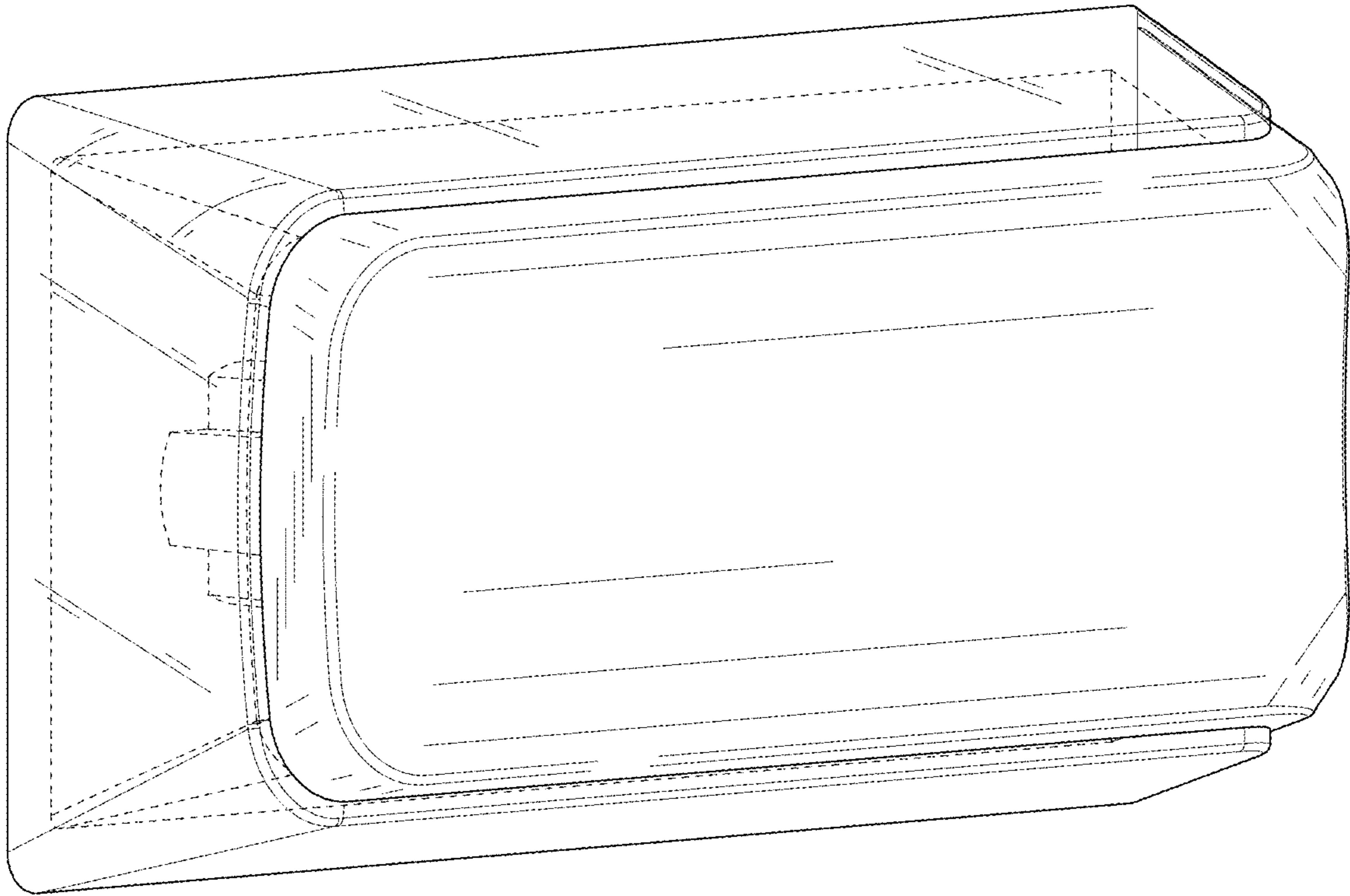


FIG. 30

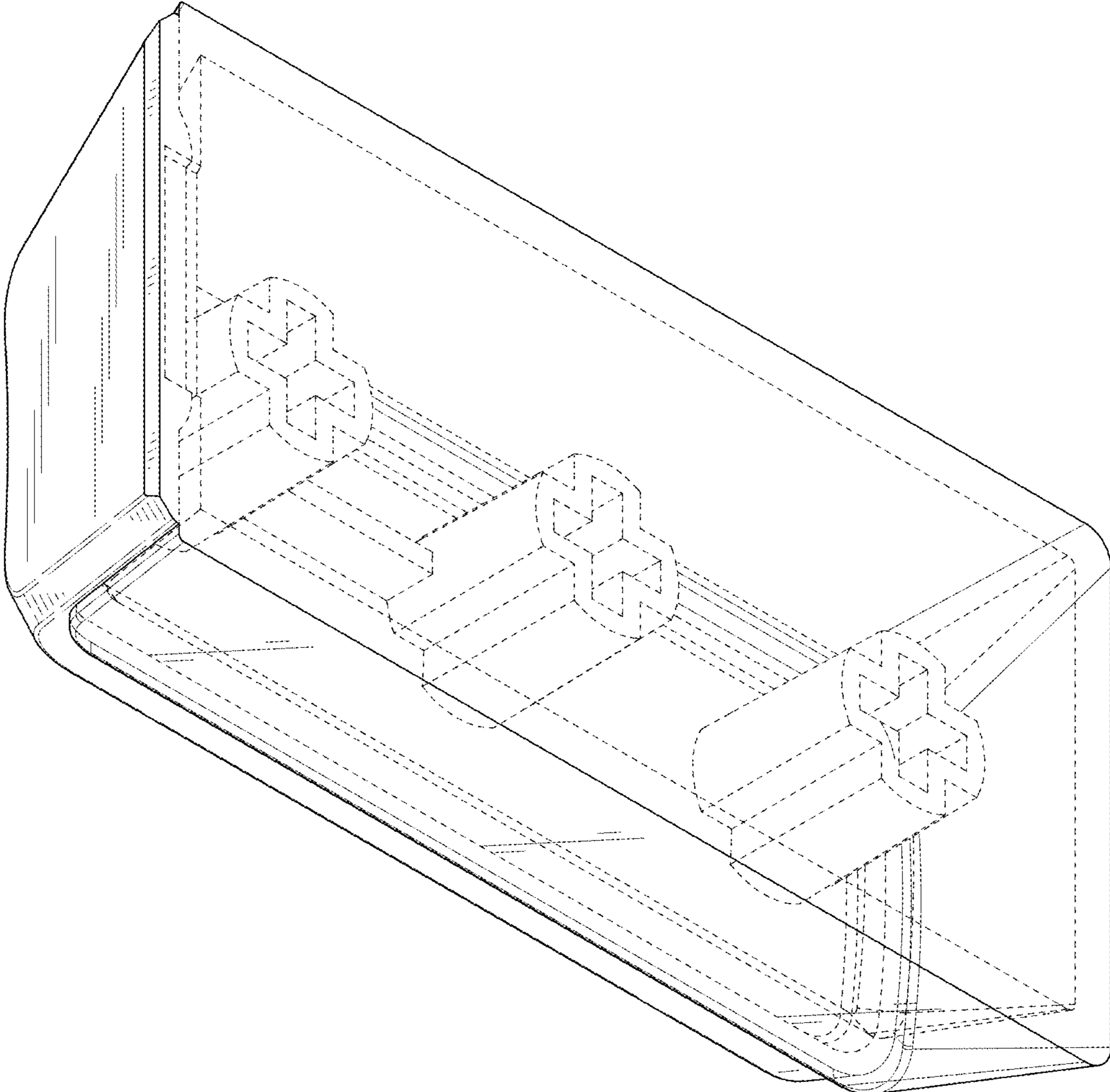


FIG. 31

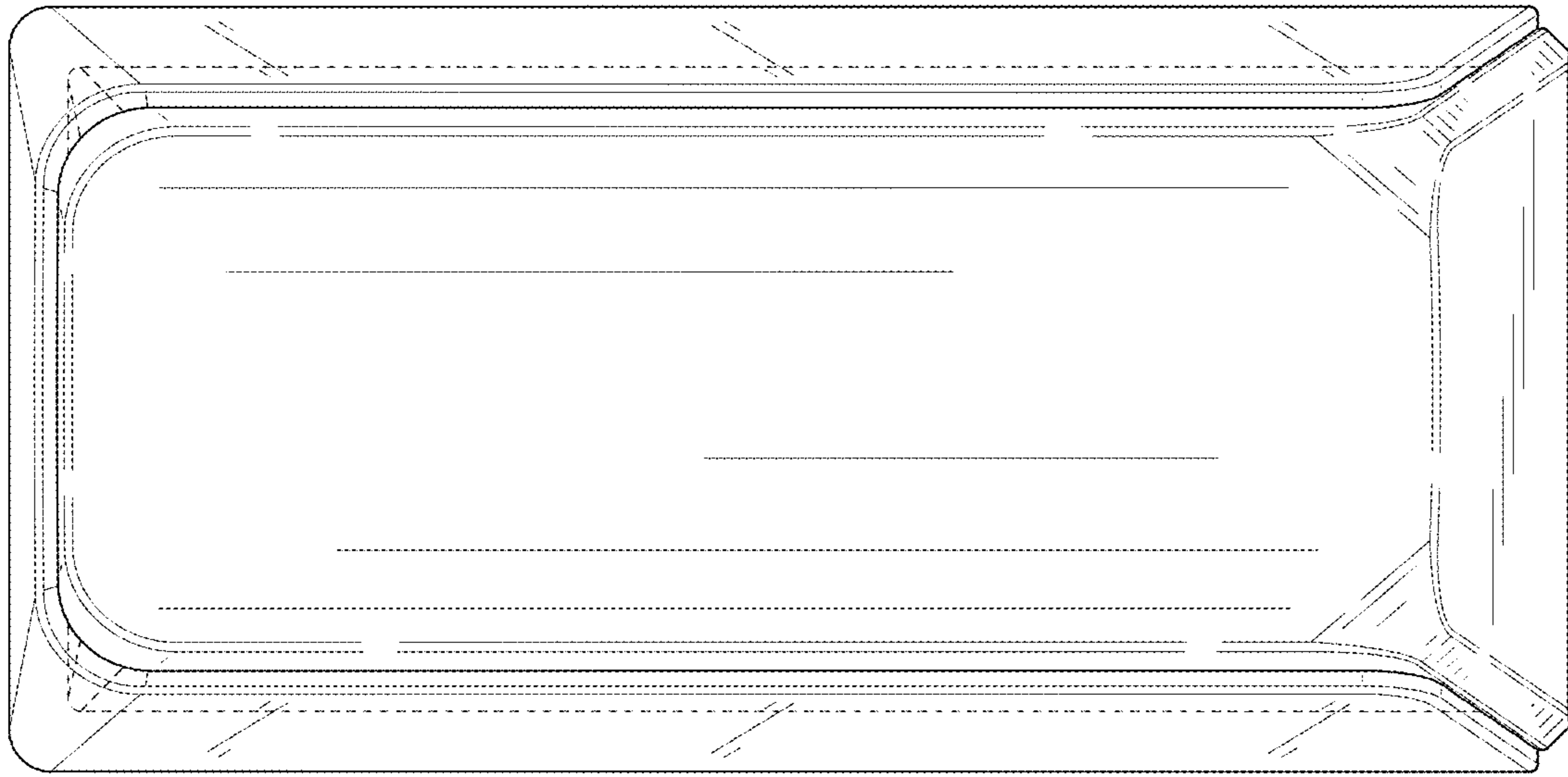


FIG. 32

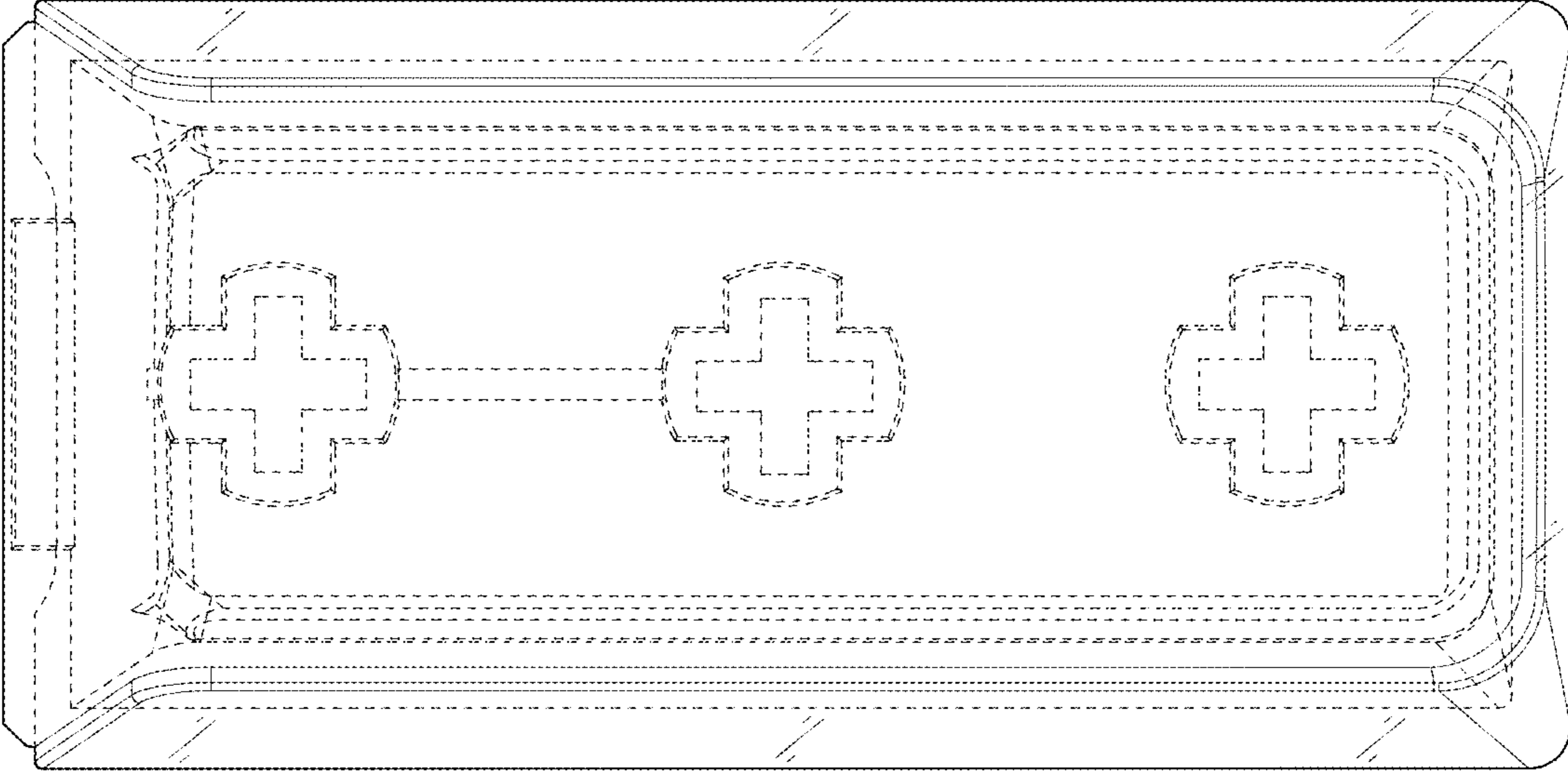


FIG. 33

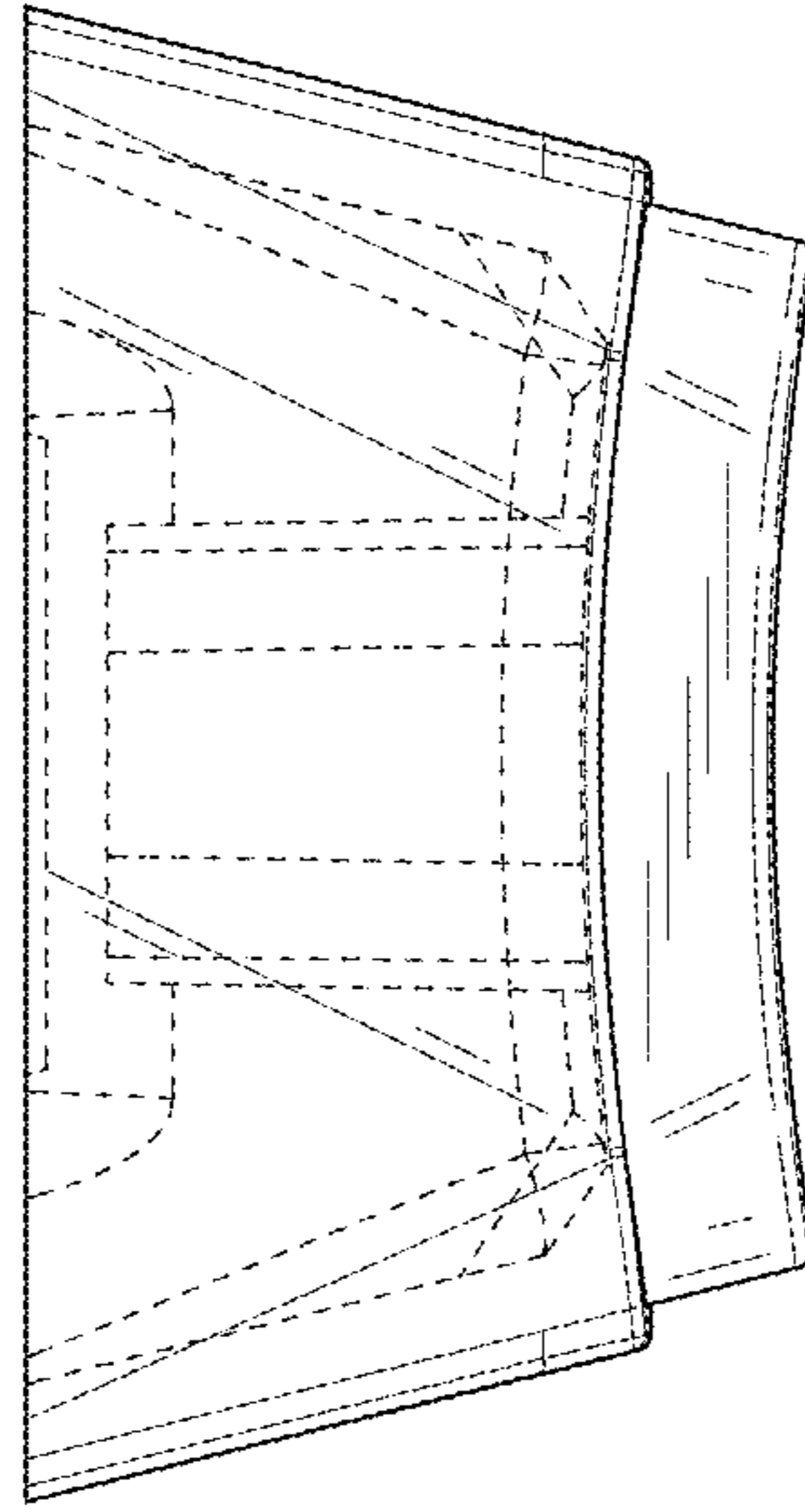


FIG. 34

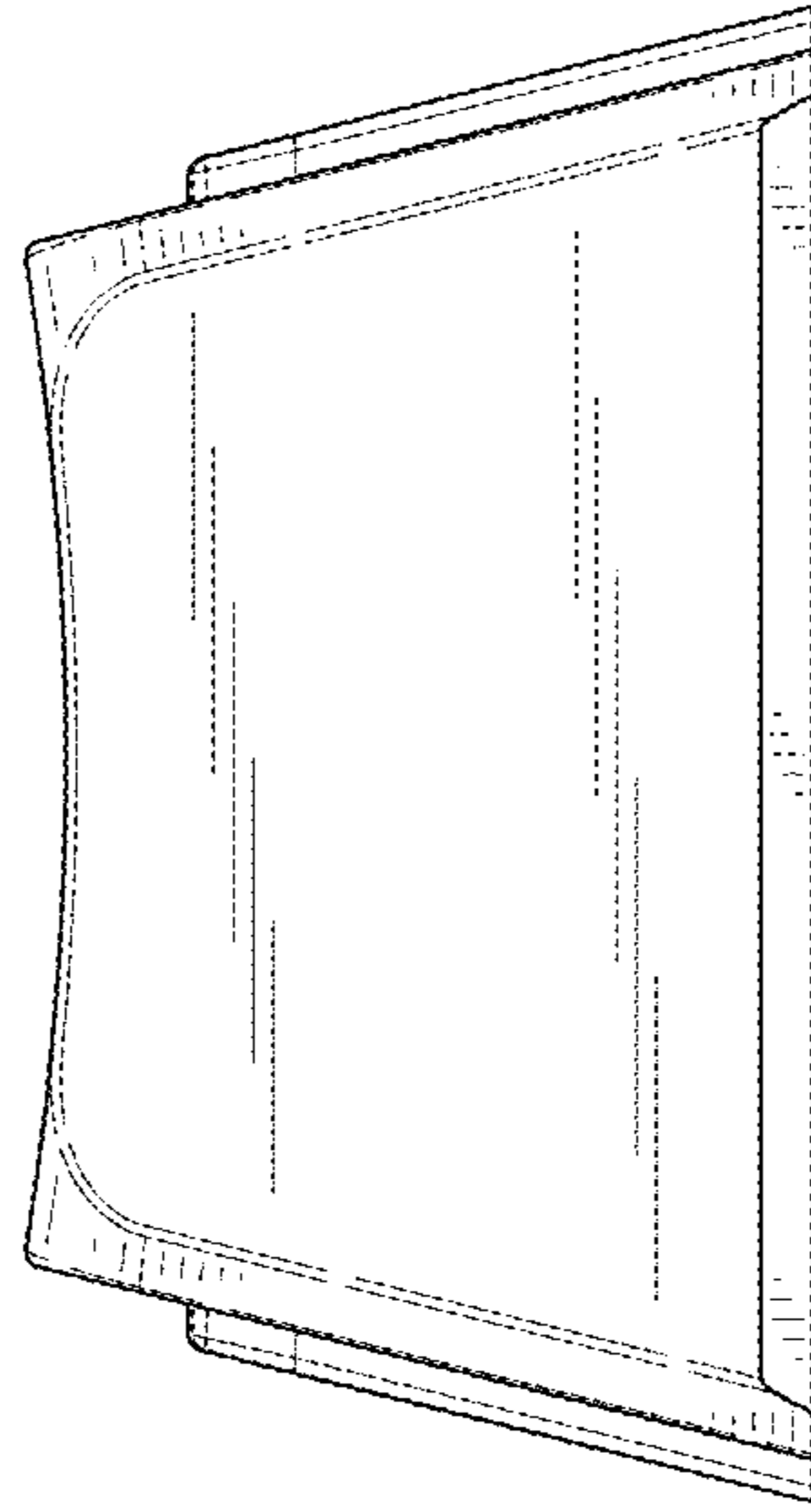


FIG. 35

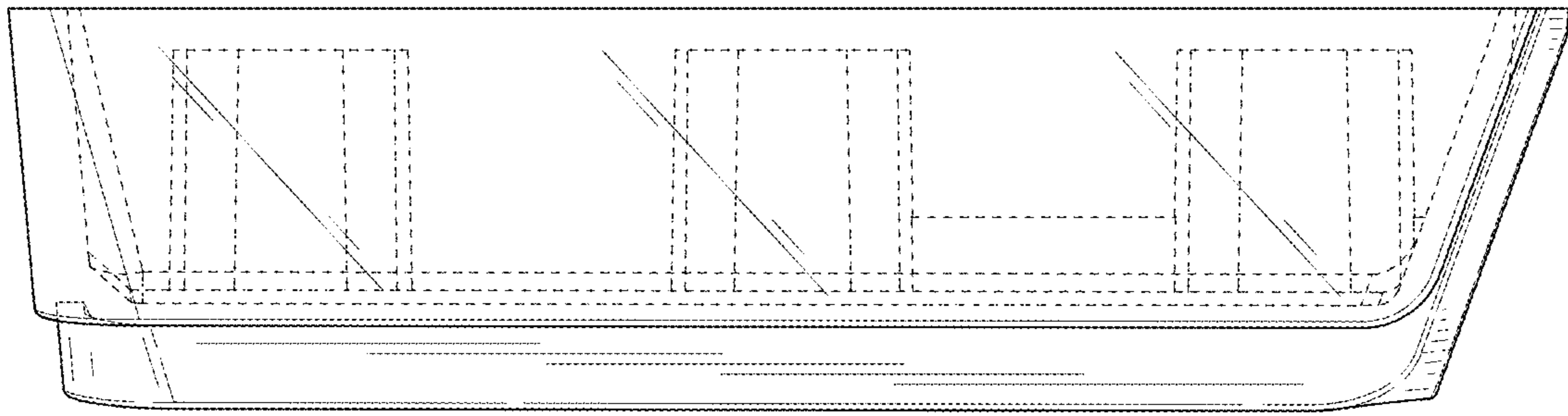


FIG. 36

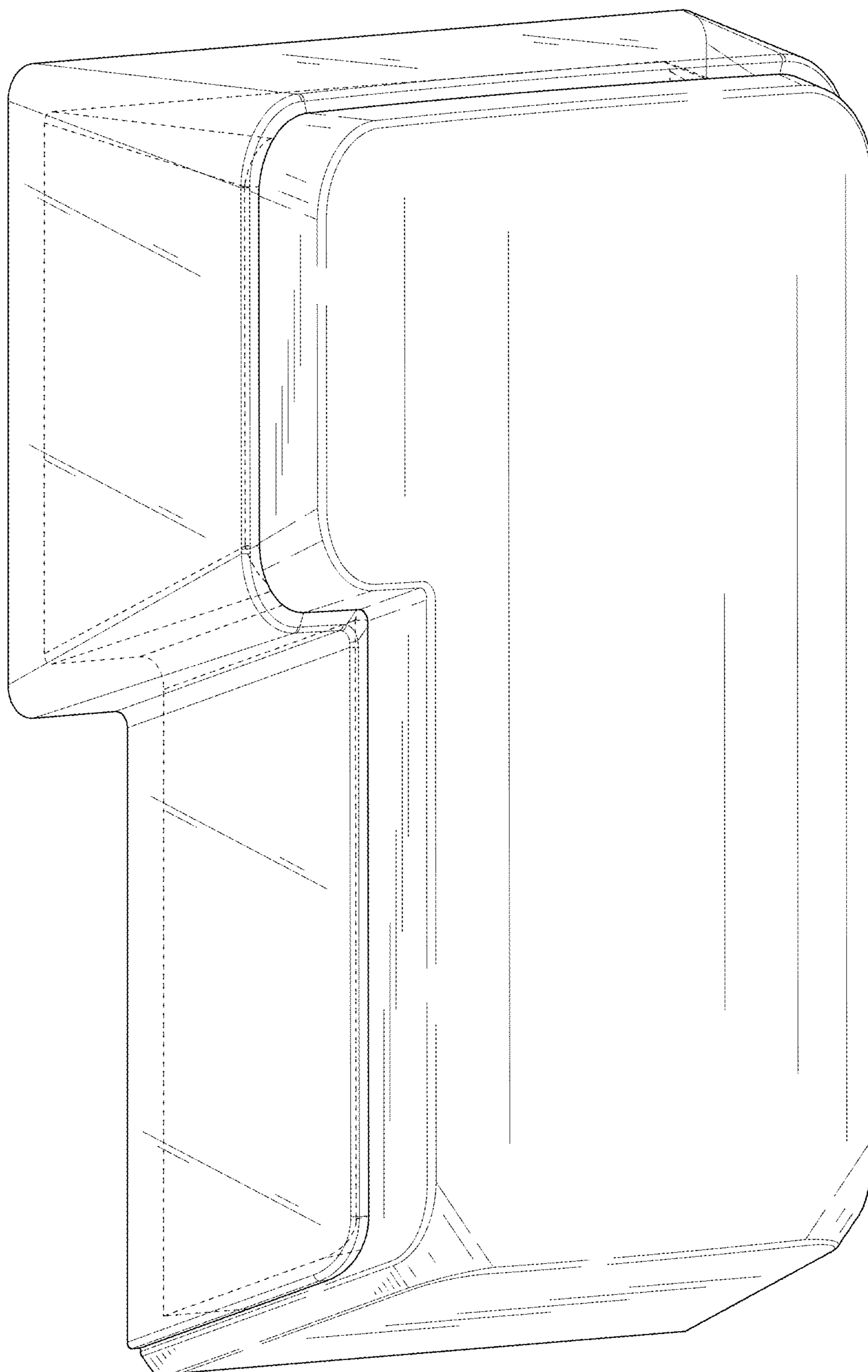


FIG. 37

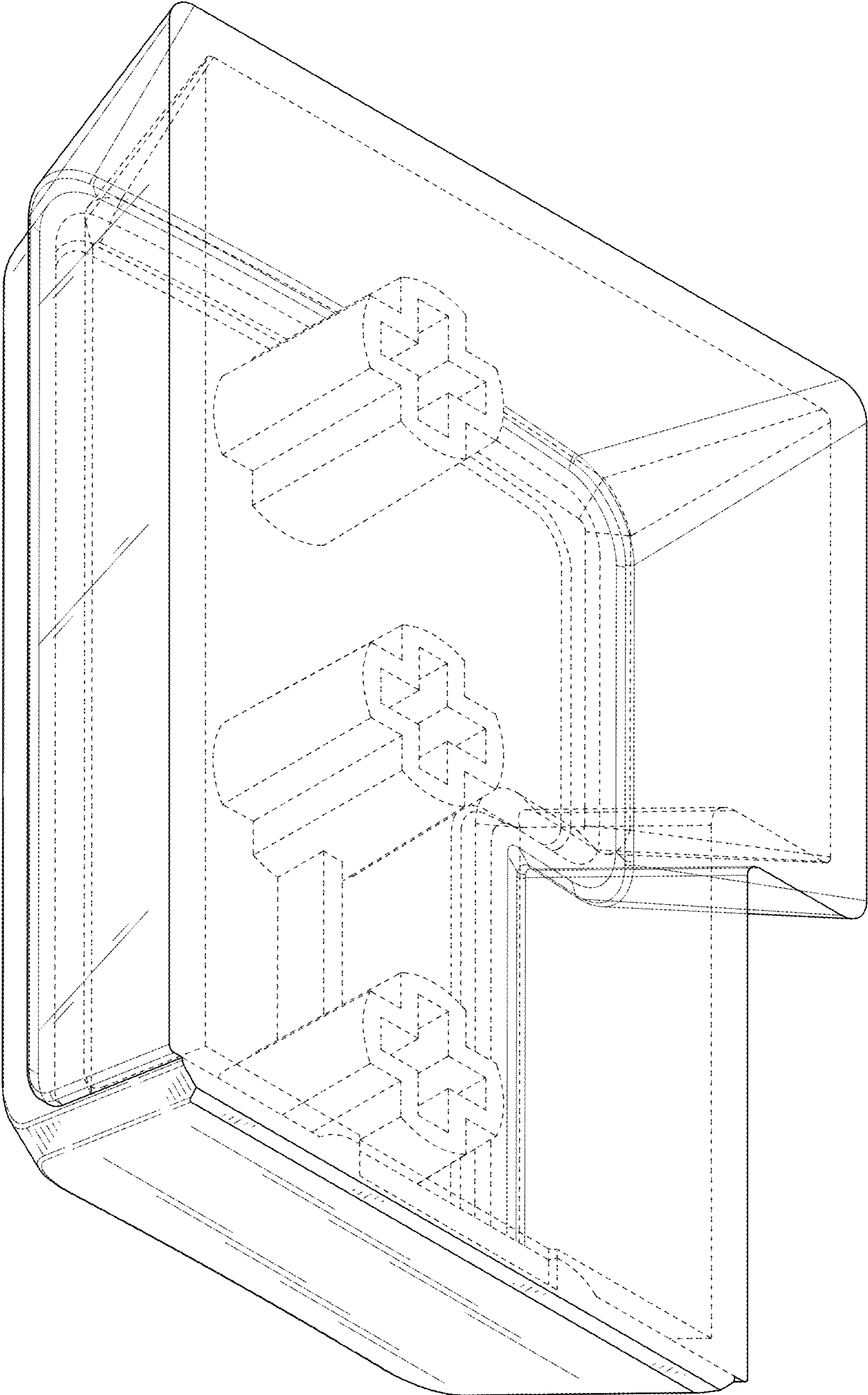


FIG. 38

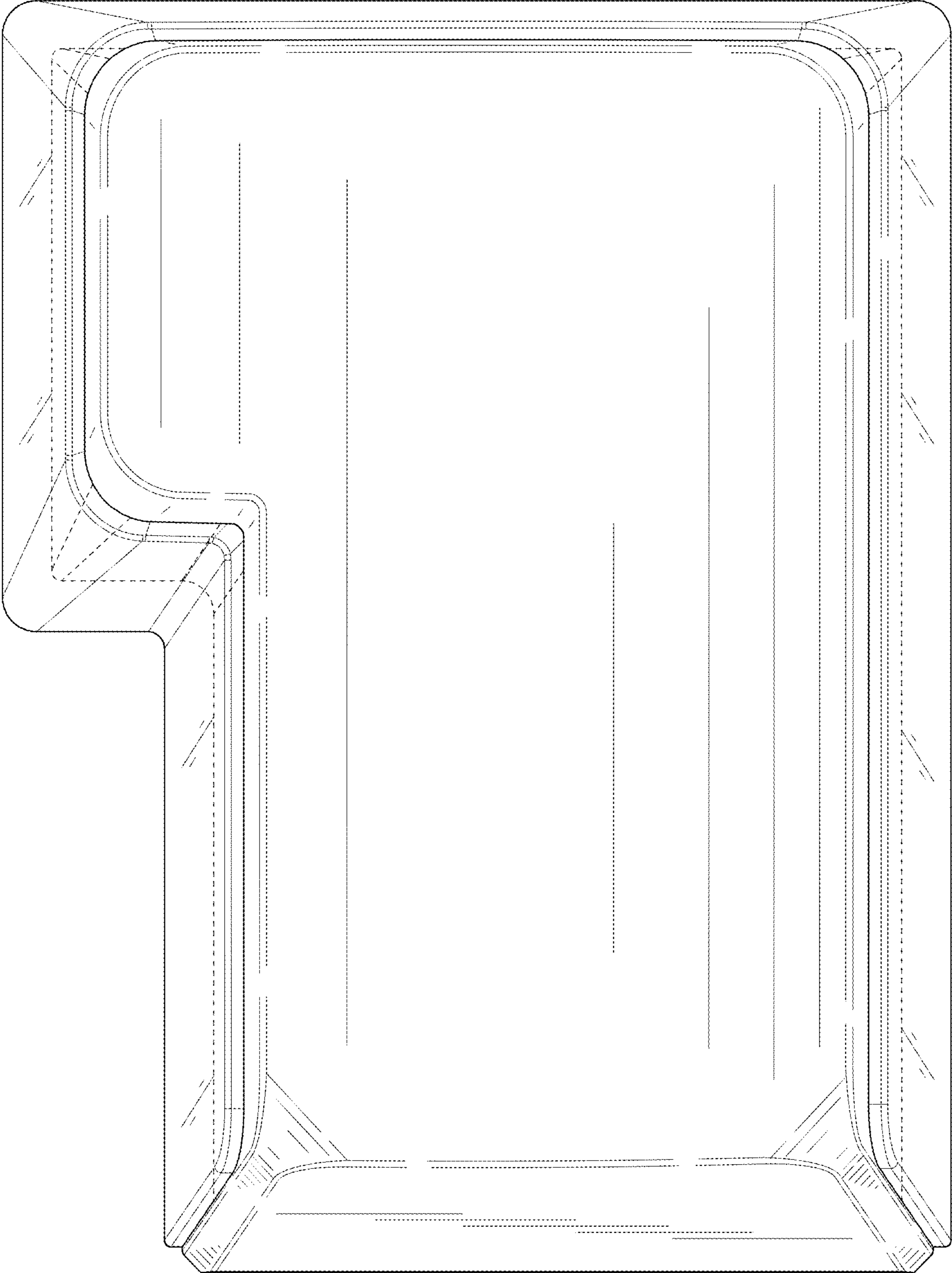


FIG. 39

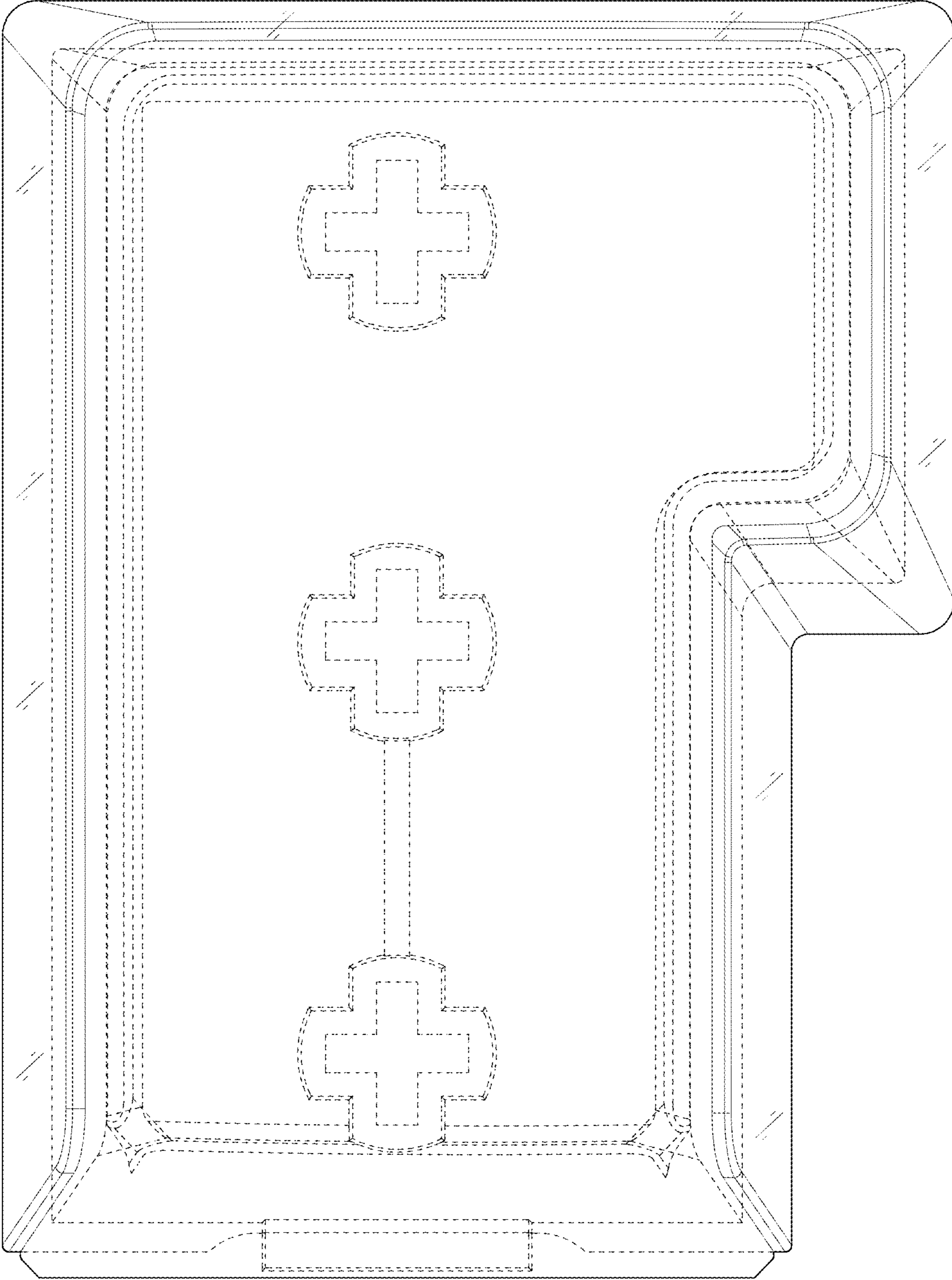


FIG. 40

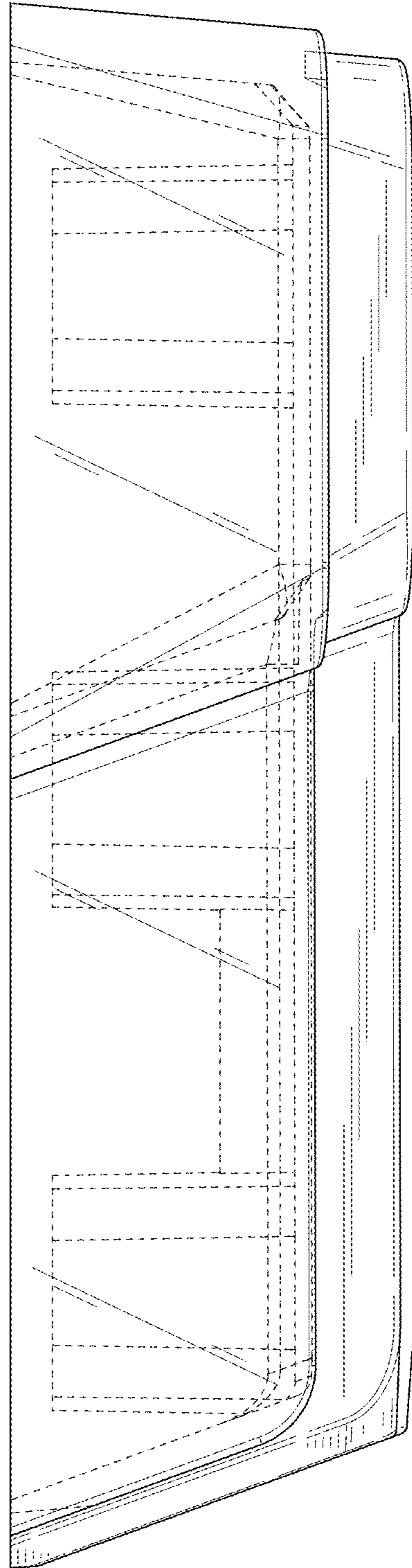


FIG. 41

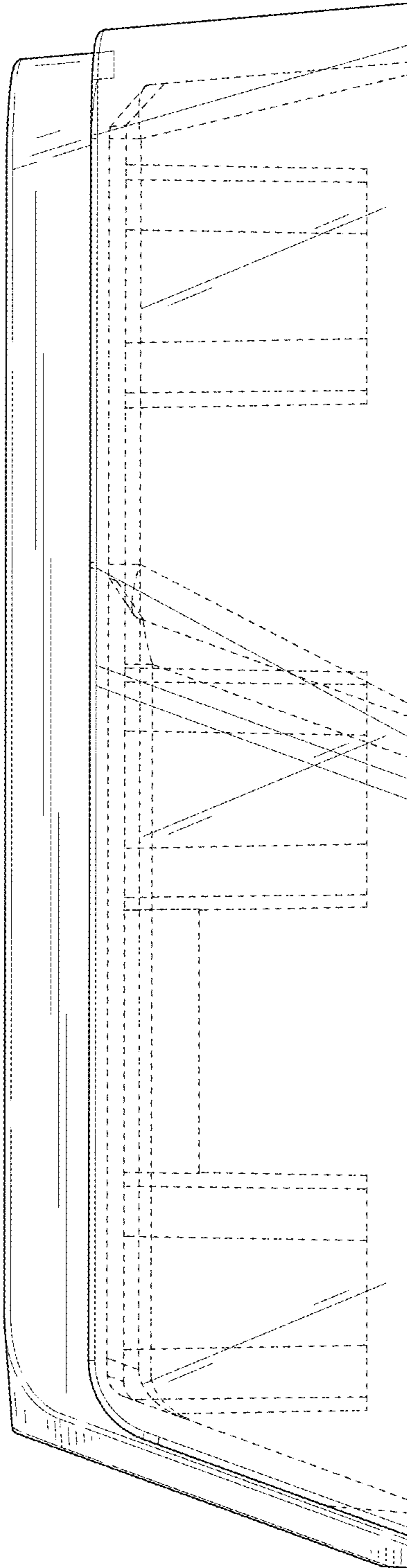


FIG. 42

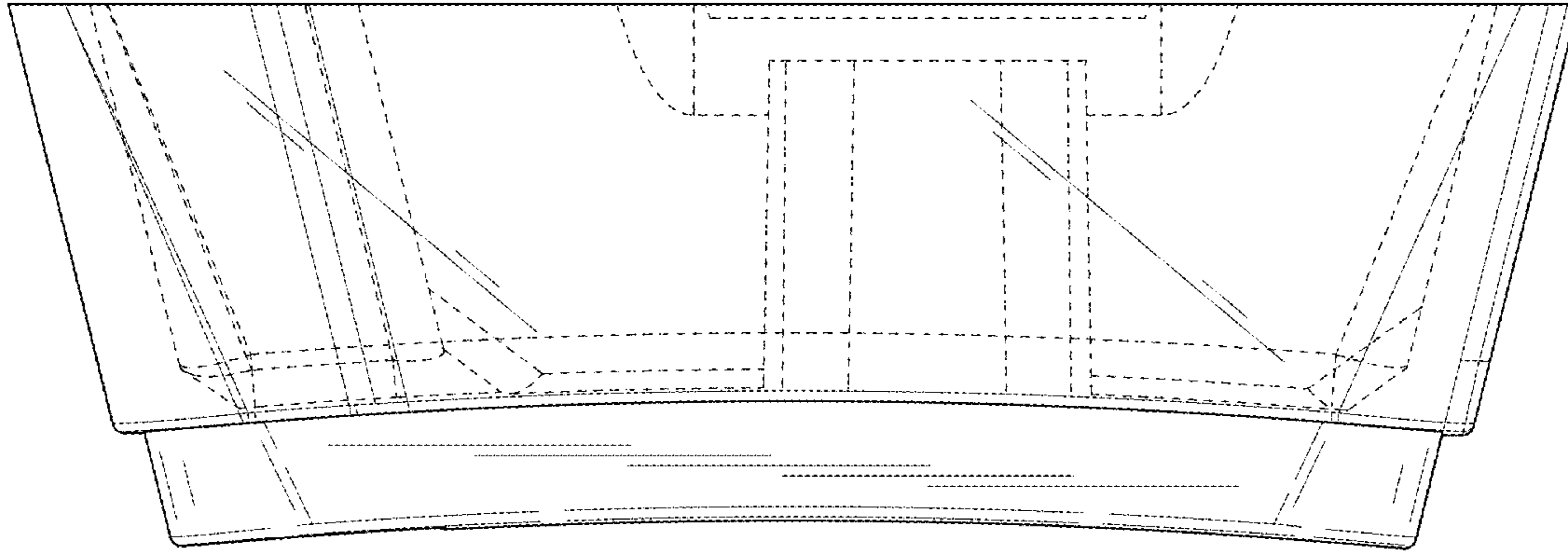


FIG. 43

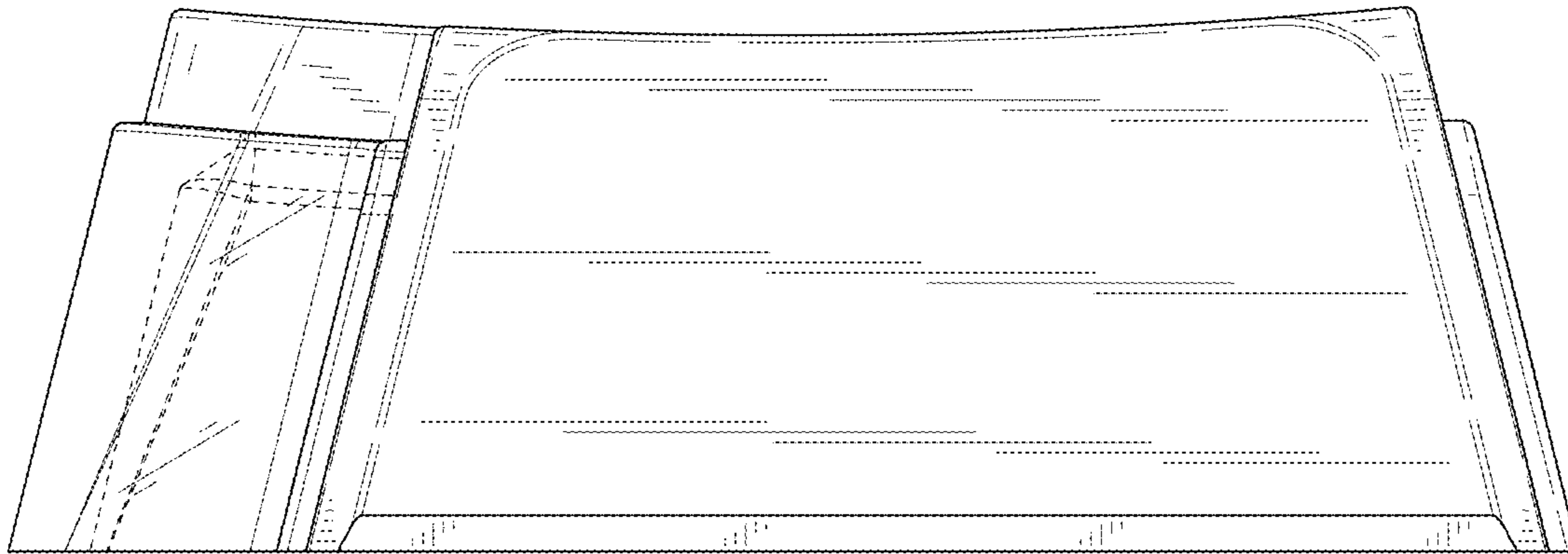


FIG. 44

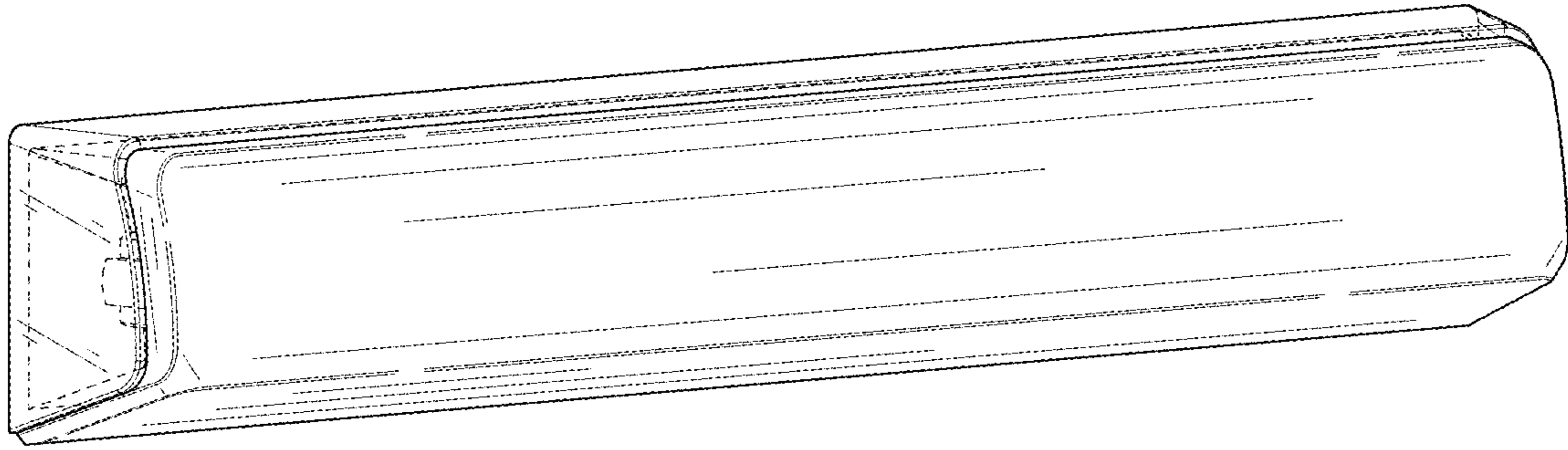


FIG. 45

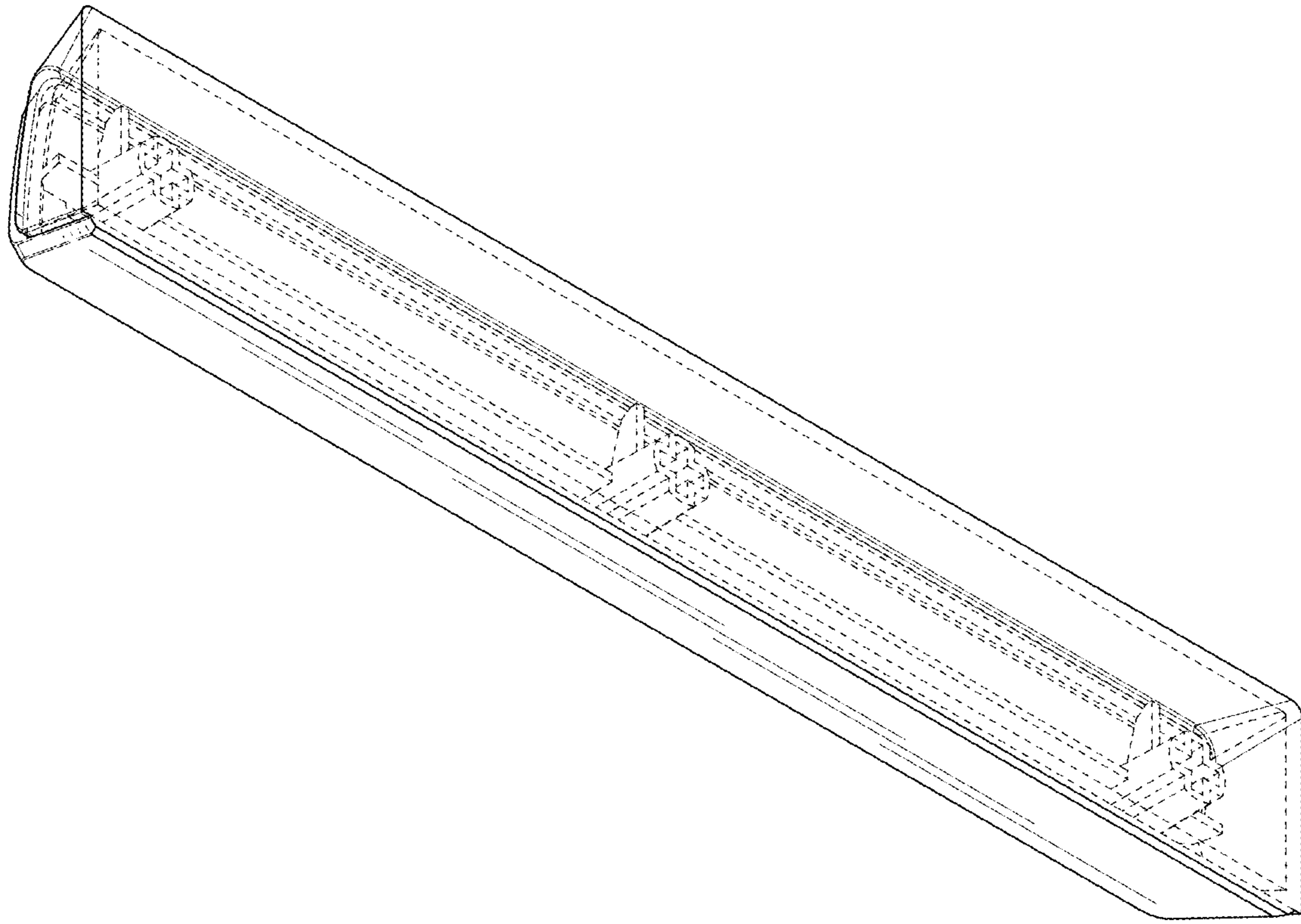


FIG. 46

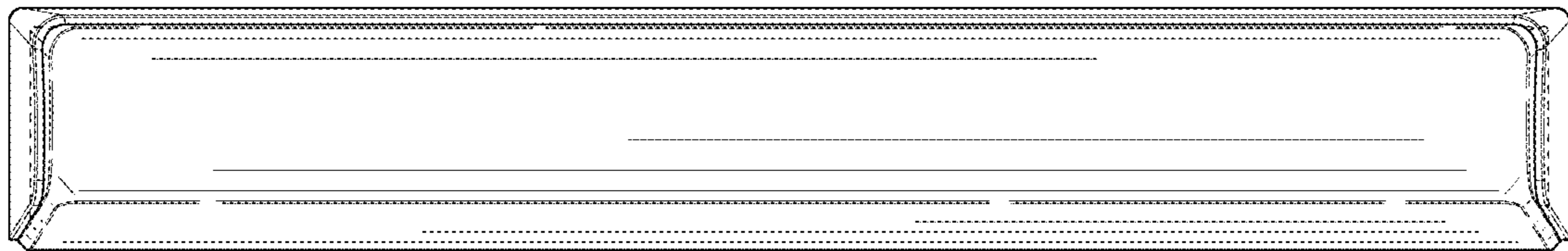


FIG. 47

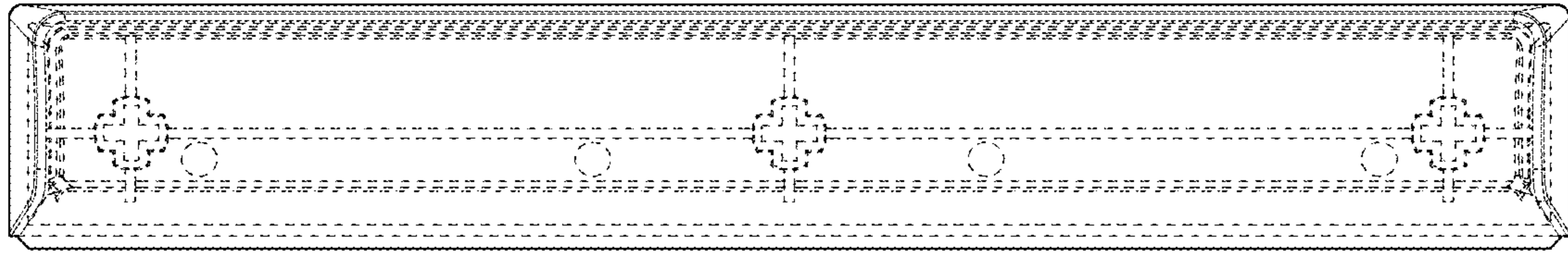


FIG. 48

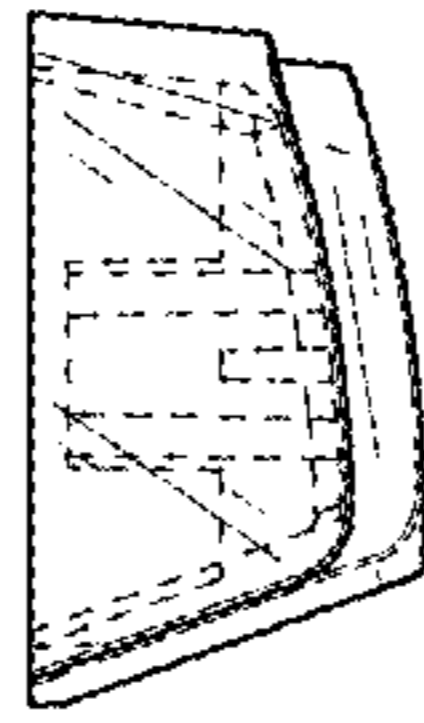


FIG. 49

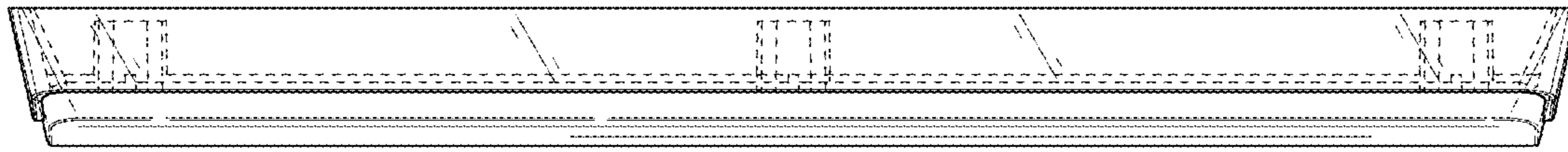


FIG. 50

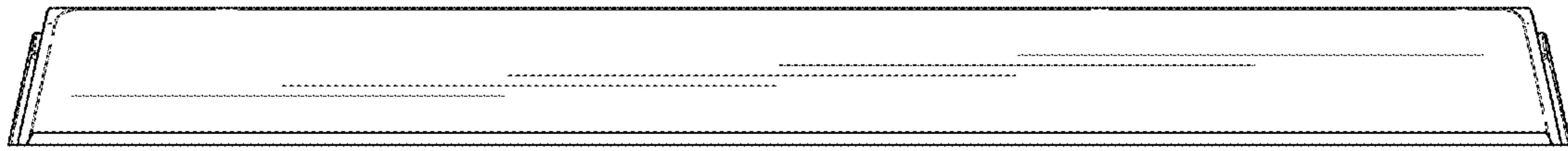


FIG. 51