



US0D1011198S

(12) **United States Design Patent** (10) **Patent No.:** **US D1,011,198 S**  
**Kataoka** (45) **Date of Patent:** **\*\* Jan. 16, 2024**

(54) **BOTTLE**

OTHER PUBLICATIONS

(71) Applicant: **SUNTORY HOLDINGS LIMITED,**  
Osaka (JP)

Notice of Allowance in Taiwan Counterpart Patent Appl. No. 106304616, dated Mar. 16, 2018, along with an English translation.  
(Continued)

(72) Inventor: **Keisuke Kataoka,** Tokyo (JP)

*Primary Examiner* — Richard A Edgar

(73) Assignee: **SUNTORY HOLDINGS LIMITED,**  
Osaka (JP)

*Assistant Examiner* — Katherine E Morris

(74) *Attorney, Agent, or Firm* — Greenblum & Bernstein, P.L.C.

(\*\*) Term: **15 Years**

(57) **CLAIM**

I claim the ornamental design for a bottle, as shown and described.

(21) Appl. No.: **29/725,632**

**DESCRIPTION**

(22) Filed: **Feb. 26, 2020**

(51) **LOC (14) Cl.** ..... **09-01**

(52) **U.S. Cl.**  
USPC ..... **D9/645**; D9/655; D9/559

(58) **Field of Classification Search**  
USPC ..... D9/655, 643, 644, 645, 646, 647, 658,  
D9/661  
CPC ..... B65D 11/04  
See application file for complete search history.

FIG. 1 is a front elevational view of a bottle showing the new design;  
FIG. 2 is a rear elevational view thereof;  
FIG. 3 is a top plan view thereof;  
FIG. 4 is a bottom plan view thereof;  
FIG. 5 is a right side elevational view thereof;  
FIG. 6 is a left side elevational view thereof;  
FIG. 7 is a perspective view of the top, front, and right sides thereof;  
FIG. 8 is a cross-sectional view of the bottle taken along section line 8-8 of FIG. 1;  
FIG. 9 is a cross-sectional view of the bottle taken along section line 9-9 of FIG. 1; and,  
FIG. 10 is an enlarged cross-sectional view of a portion of the bottle taken along section line 10-10 of FIG. 8.  
The article of this design is entirely transparent, and the light, parallel lines shown in each of the figures indicate the transparency of this design.

(56) **References Cited**

U.S. PATENT DOCUMENTS

- D76,180 S 8/1928 Coty
- D86,013 S 1/1932 Wagner
- D105,969 S 7/1937 Plummer
- D195,981 S 8/1963 Lorenzen
- D249,998 S 10/1978 Gobleck, Jr.

(Continued)

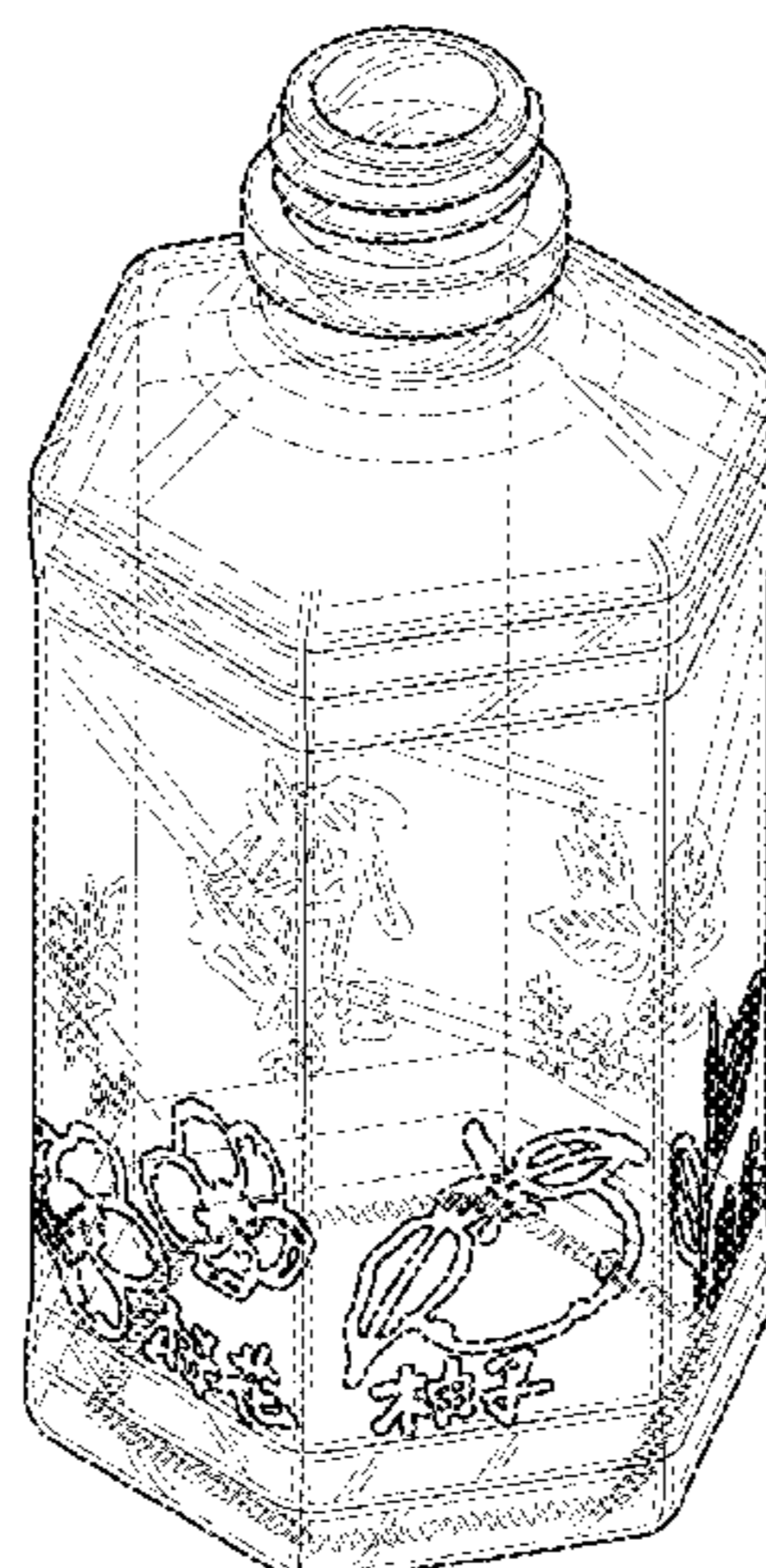
FOREIGN PATENT DOCUMENTS

- AU 320975 9/2008
- AU 337731 7/2011

(Continued)

As shown in the cross-sectional views of FIGS. 8 and 9, and the enlarged cross-sectional view of FIG. 10, patterns and characters (Japanese kanji characters) on the surface of the body portion of the bottle of this design are formed in convex shapes.  
The dash-dot broken line in FIG. 10 depicts a symbolic break. The break line and what is shown beyond the break line form no part of the claimed design.

**1 Claim, 5 Drawing Sheets**



(56)

References Cited

U.S. PATENT DOCUMENTS

D263,683 S 4/1982 Mansau  
 D285,537 S 9/1986 Parker  
 D303,086 S 8/1989 Rothfos  
 D306,399 S \* 3/1990 Rumney ..... D9/559  
 D318,422 S \* 7/1991 Rumney ..... D9/559  
 D355,850 S 2/1995 Lee  
 D385,186 S 10/1997 Fildan  
 D432,427 S 10/2000 Shanahan  
 D452,650 S 1/2002 Moore et al.  
 D500,673 S 1/2005 Duboeuf  
 D542,136 S 5/2007 Lilico  
 D573,024 S 7/2008 Delbon  
 D583,247 S \* 12/2008 DeFina ..... D9/546  
 D588,010 S 3/2009 Shearsby et al.  
 D604,617 S 11/2009 Shearsby et al.  
 D644,515 S 9/2011 Tieleman et al.  
 D649,471 S 11/2011 Guglielmo et al.  
 D661,199 S \* 6/2012 Bennett ..... D9/558  
 D689,773 S 9/2013 Nomura et al.  
 D694,640 S 12/2013 Infahsaeng et al.  
 D694,641 S 12/2013 Infahsaeng et al.  
 D698,254 S 1/2014 Regas  
 D704,561 S 5/2014 Manoel  
 D713,250 S 9/2014 Perez-Cabrera  
 D763,087 S 8/2016 Hirst  
 D764,922 S 8/2016 Eble  
 D791,602 S 7/2017 Hainaut  
 D791,606 S 7/2017 Cobb  
 D810,577 S 2/2018 Nguyen  
 D829,103 S 9/2018 Abadinsky  
 D832,714 S 11/2018 Matauch  
 D836,446 S 12/2018 Murac et al.  
 D840,238 S 2/2019 Hudson et al.  
 D840,241 S 2/2019 Mandelbaum  
 D851,495 S \* 6/2019 Kataoka ..... D9/563  
 D867,153 S 11/2019 Hammond  
 D880,304 S 4/2020 Melkonian  
 D920,581 S 5/2021 Min  
 D924,692 S 7/2021 Louis et al.  
 D963,480 S \* 9/2022 Kataoka ..... D9/563

FOREIGN PATENT DOCUMENTS

AU 347050 2/2013  
 AU 347051 2/2013  
 AU 347052 2/2013  
 AU 348505 5/2013  
 AU 360809 3/2015  
 CA 139756 3/2012  
 CA 150912 2/2014  
 CA 160078 12/2015  
 CA 165865 12/2015  
 CA 164136 4/2016  
 CN 301316863 S 8/2010  
 CN 301378932 S 11/2010  
 CN 301416080 S 12/2010  
 CN 301424237 S 12/2010  
 CN 302187435 S 11/2012  
 CN 302740257 S 2/2014  
 CN 302740277 S 2/2014  
 CN 302840451 S 6/2014  
 CN 302980015 S 10/2014  
 CN 302980017 S 10/2014  
 CN 303066811 S 1/2015  
 CN 303539360 S 1/2016  
 CN 307394795 6/2022  
 EP 000189402-0001 8/2004  
 EP 000345434-0001 5/2005  
 EP 002233775-0001 5/2013  
 EP 002233775-0002 5/2013  
 EP 002233775-0003 5/2013  
 EP 001373484-0004 6/2013

EP 002765107-0001 11/2015  
 EP 003073832-0001 4/2016  
 ES 10147191 4/2000  
 FR 17105-001 8/1928  
 FR 22877-001 10/1932  
 FR 23063-001 11/1932  
 FR 24319-001 10/1933  
 FR 57371-001 12/1957  
 HK 0100458.1 8/2001  
 HK 310952.3M002 6/2003  
 HK 1202354.5 11/2012  
 HK 1301947.4 10/2013  
 HK 1400315.4 2/2014  
 HK 1501977.9M001 9/2015  
 JP 0648123 4/1985  
 JP 1177823 6/2003  
 JP 1242134 6/2005  
 JP 1270592 5/2006  
 JP 1402399 11/2010  
 JP 1441294 5/2012  
 JP 1389773 6/2013  
 JP 1470852 6/2013  
 JP 1524790 6/2015  
 JP 1530908 8/2015  
 JP 1546394 3/2016  
 JP D2017-14146 \* 6/2017  
 JP 1597882 2/2018  
 JP D1598150 2/2018  
 JP D1598151 2/2018  
 KR 30-0338884 11/2003  
 KR 03-0515304 12/2008  
 KR 03-0540321 9/2009  
 KR 03-07497910000 6/2014  
 KR 30-08294440000 12/2015  
 MY 12-00738-0207 6/2012  
 MY 12-01612-0101 11/2012  
 MY 14-00738-0101 6/2014  
 NZ 421287 3/2017  
 PH 3-2006-000444 2/2008  
 PH 3-2008-000469 10/2008  
 PH 3-2015-000152 3/2015  
 SG D2009860 Z 2/2010  
 TH 0802002555 9/2010  
 TH 1402000971 1/2016  
 TW 576650 2/2004  
 TW D142587 9/2011  
 TW D191361 7/2018  
 TW D191362 7/2018  
 TW D191363 7/2018  
 WO DM/009059-001 10/1987  
 WO DM/016253-001 5/1990  
 WO DM/024327-009 1/1993  
 WO DM/070110 11/2008  
 WO DM/076205-001 6/2011  
 WO DM/080891-003 5/2013  
 WO DM/081710-001 12/2013  
 WO DM/087346 9/2015

OTHER PUBLICATIONS

The House Of Suntory Introduces Roku Gin And Haku® Vodka. Online (2 pages), dated Oct. 2, 2018. Last accessed Aug. 11, 2022, from URL: <https://www.prnewswire.com/news-releases/the-house-of-suntory-introduces-roku-gin-and-haku-vodka-300722764.html>. Official Action, U.S. Patent and Trademark Office, in U.S. Appl. No. 29/769,087, dated Jul. 29, 2022. U.S. Appl. No. 29/769,087, Kataoka, filed Feb. 3, 2021. Bottle Photos, 8 pages, obtained via Internet search conducted on Aug. 23, 2016. Bottle Photos, 12 pages, obtained via Internet search conducted on Jun. 21, 2019. Notice of Allowance dated Aug. 31, 2020, for counterpart Taiwanese Design Application No. 109300900.

\* cited by examiner

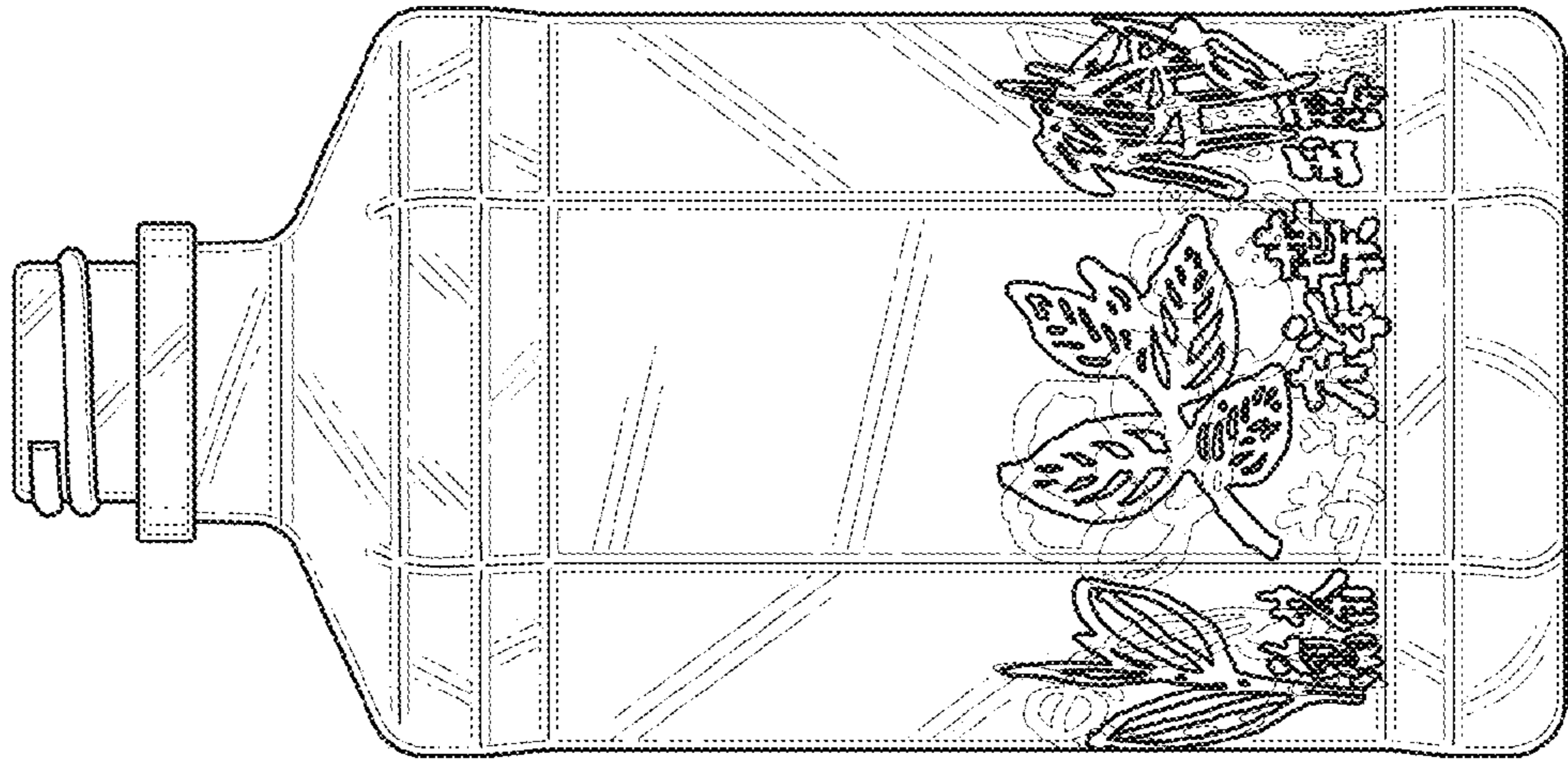


FIG. 2

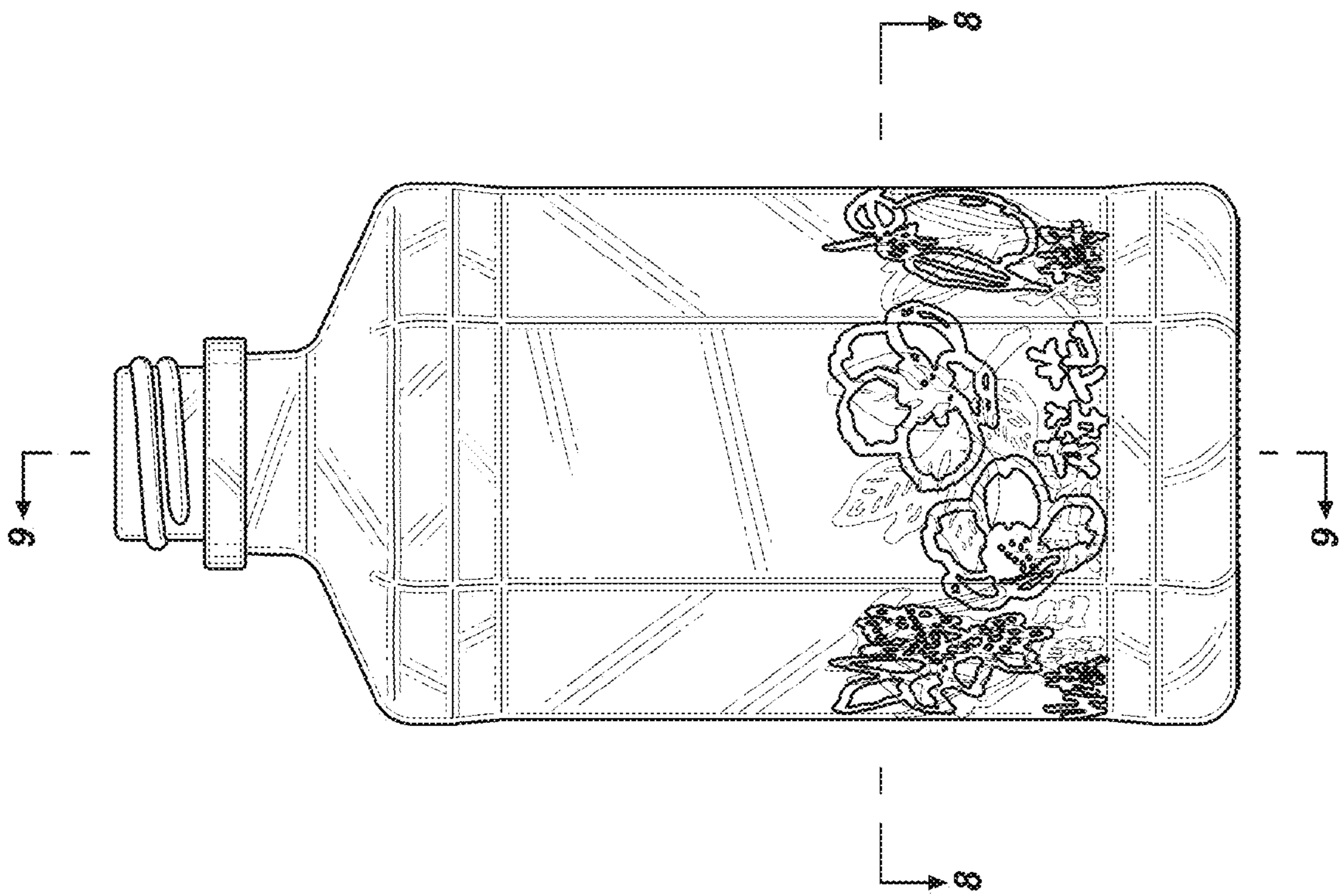


FIG. 1

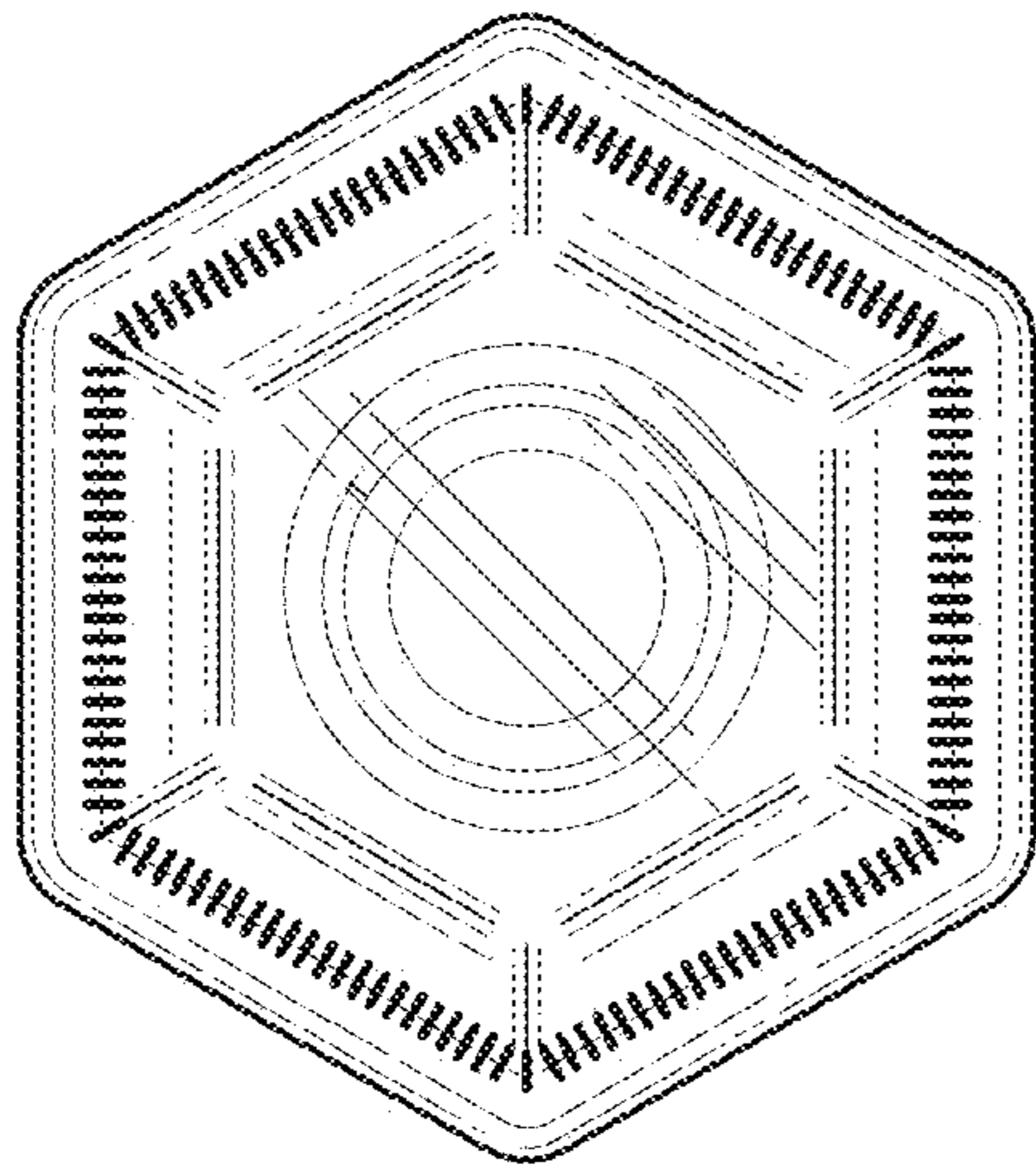


FIG. 4

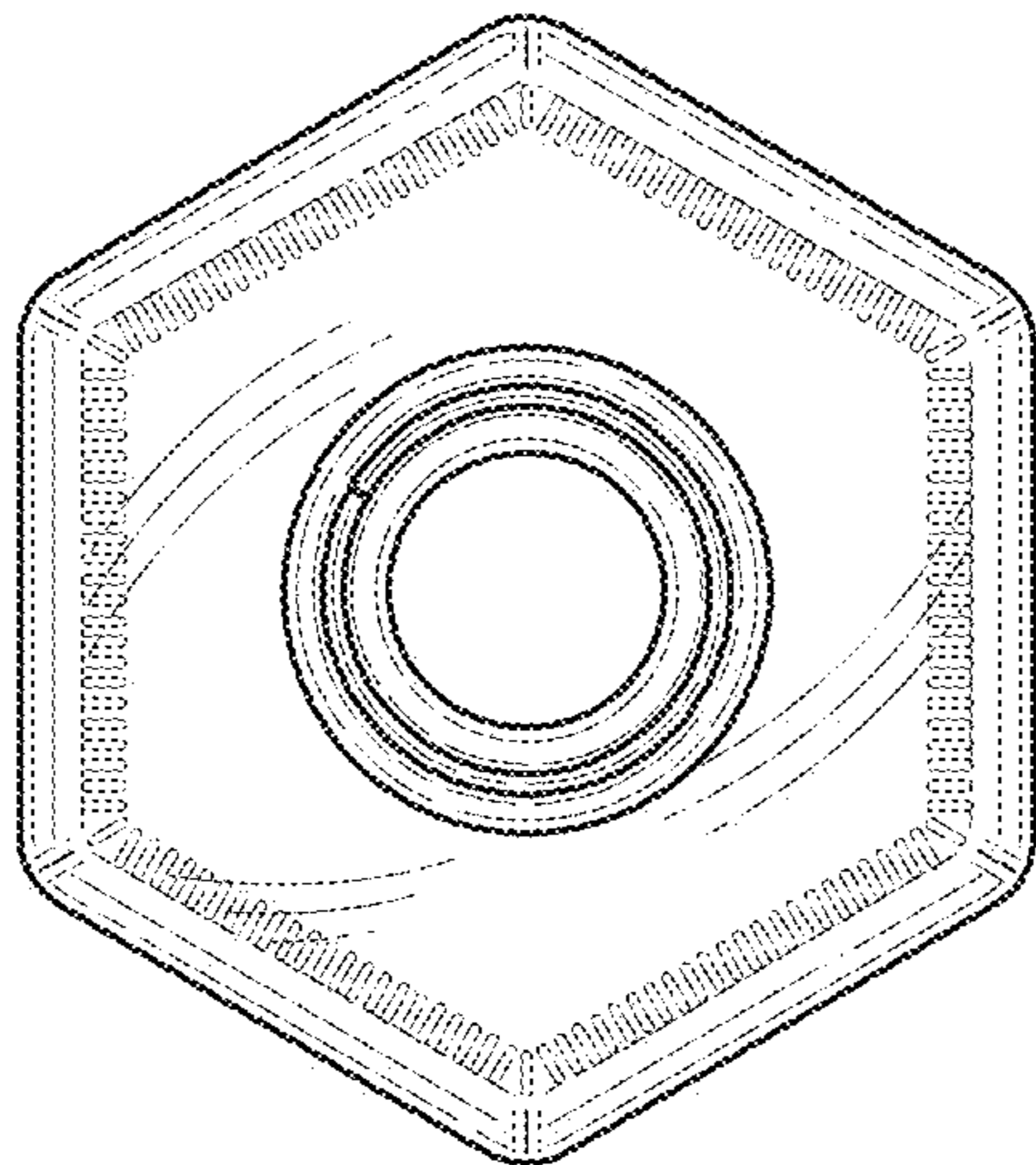


FIG. 3

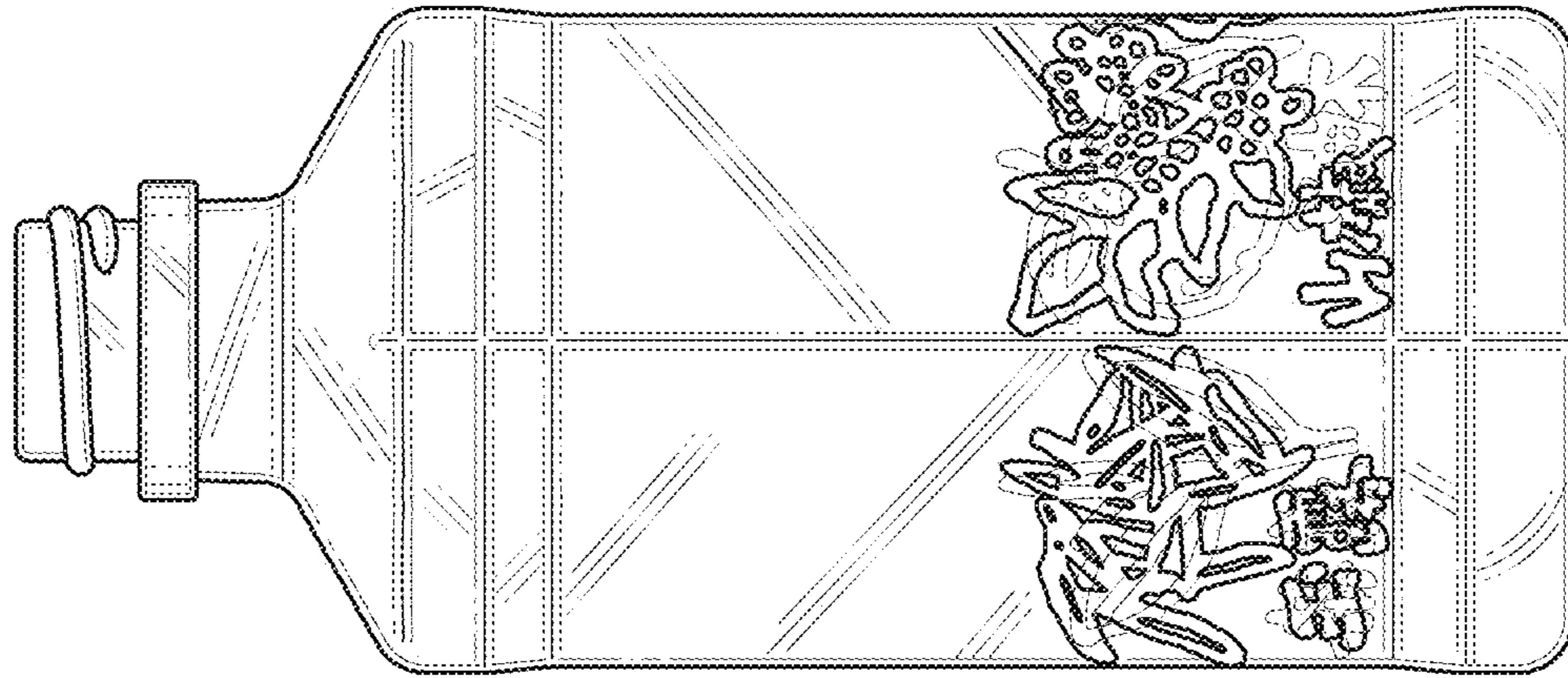


FIG. 5

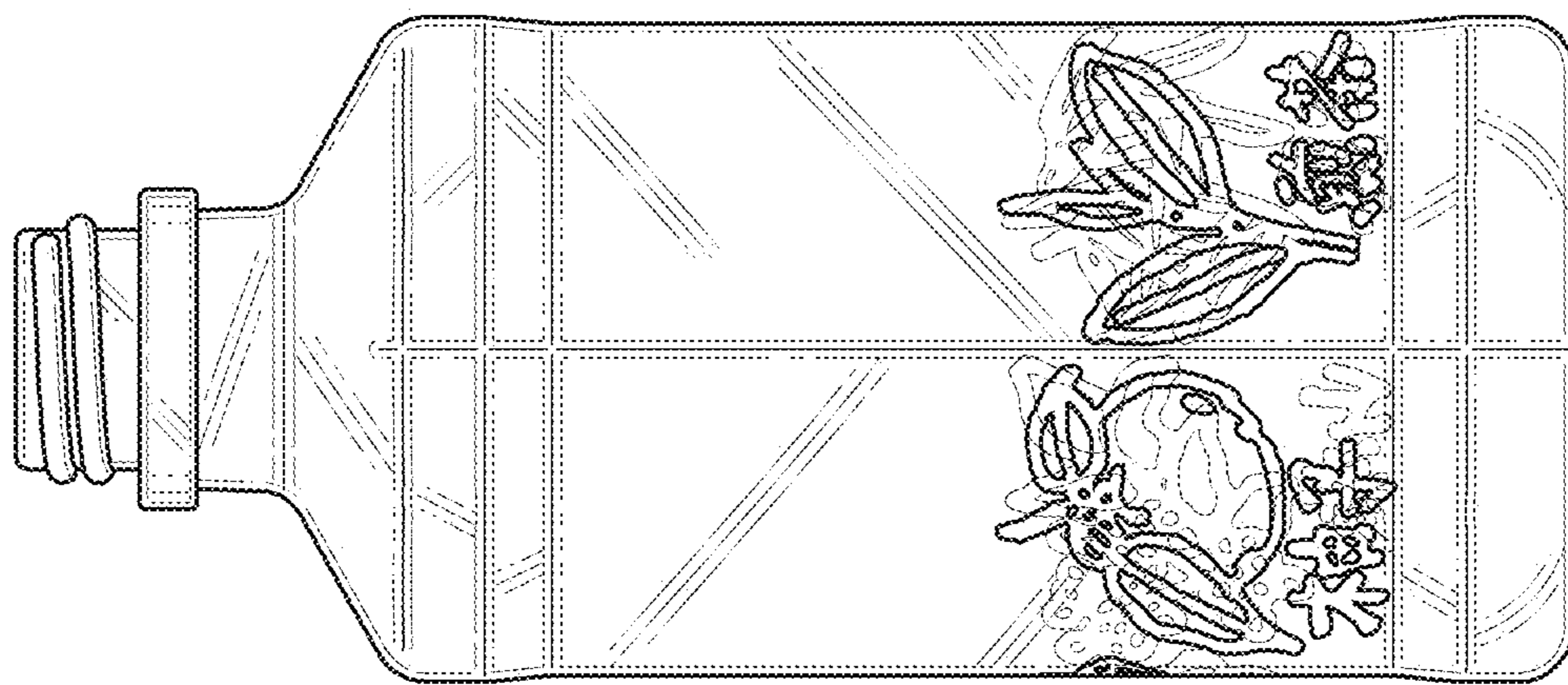


FIG. 6

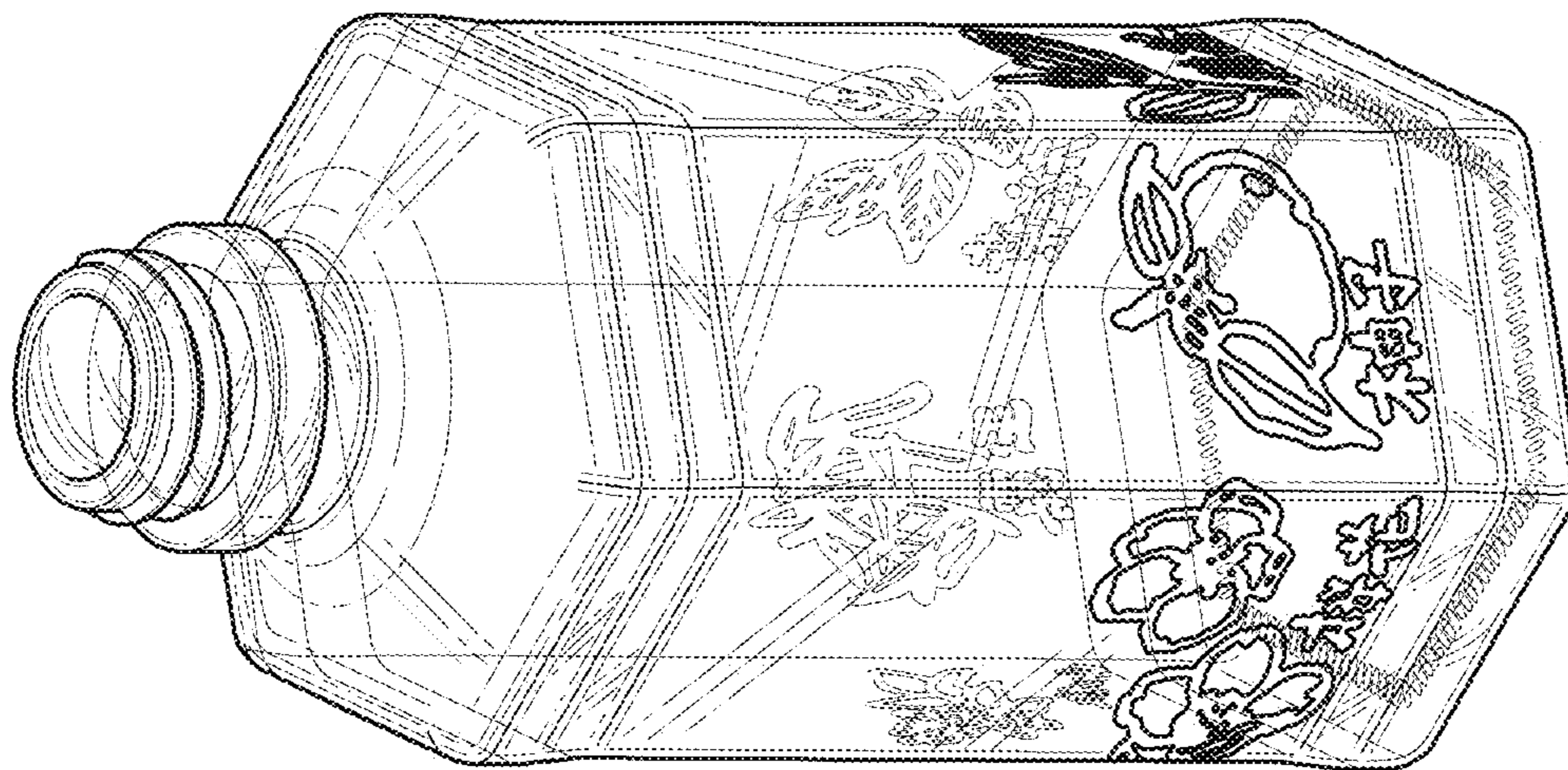


FIG. 7

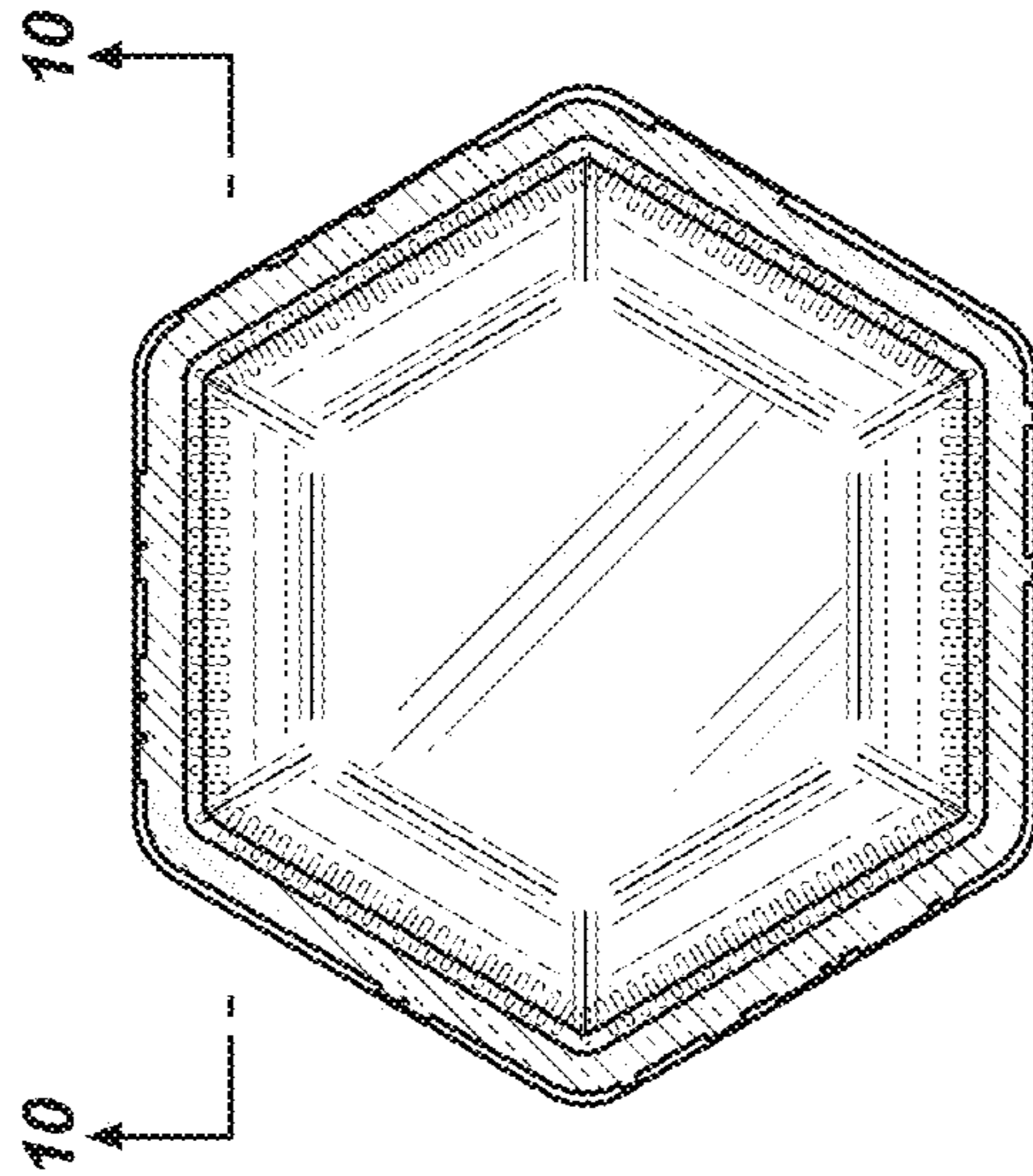


FIG. 8

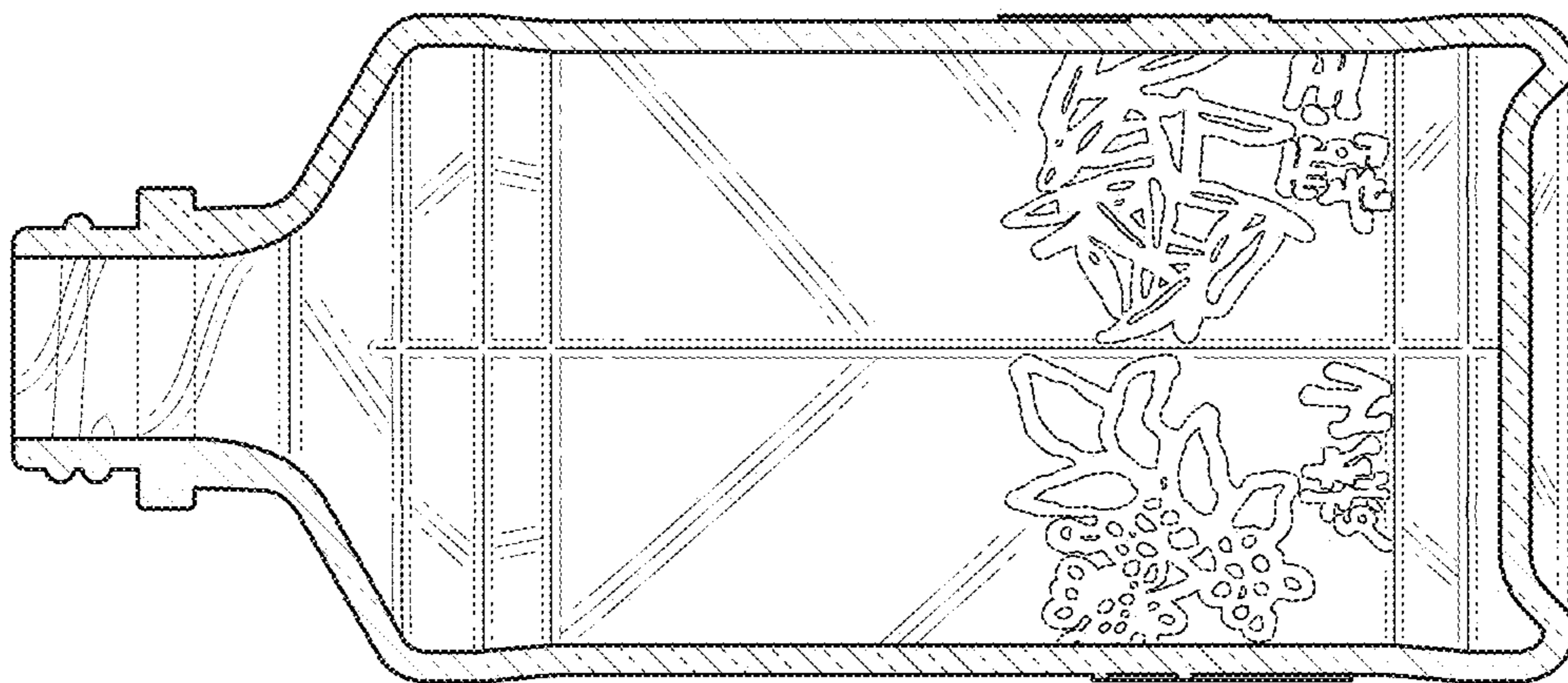


FIG. 9

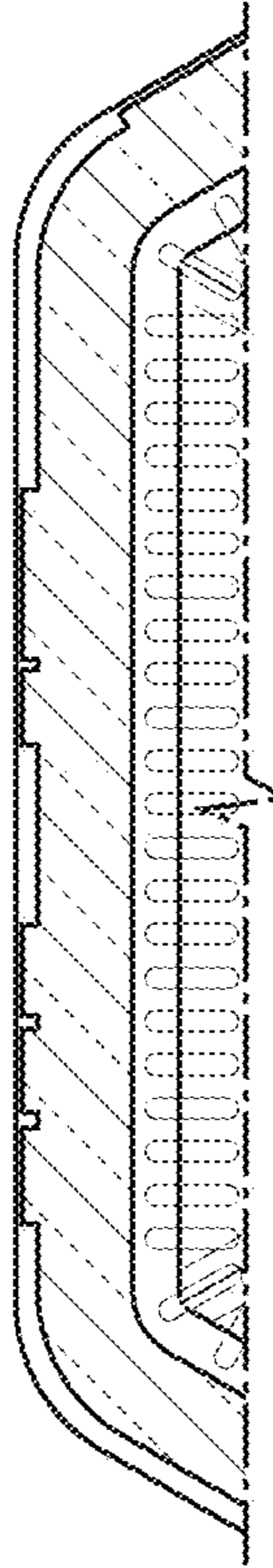


FIG. 10