



US0D1011172S

(12) **United States Design Patent**  
**Zhang**

(10) **Patent No.:** **US D1,011,172 S**

(45) **Date of Patent:** **\*\* Jan. 16, 2024**

(54) **STACKING KIT**

(71) Applicant: **Yifei Zhang**, Luohe (CN)

(72) Inventor: **Yifei Zhang**, Luohe (CN)

(\*\*) Term: **15 Years**

(21) Appl. No.: **29/878,790**

(22) Filed: **Jun. 27, 2023**

(51) **LOC (14) Cl.** ..... **08-05**

(52) **U.S. Cl.**

USPC ..... **D8/354**; D32/3; D32/25

(58) **Field of Classification Search**

USPC ..... D8/349, 354, 353; D32/1, 3-6, 25

CPC ..... D06F 29/00; D06F 39/022; D06F 39/12;

D06F 35/006

See application file for complete search history.

(56) **References Cited**

**U.S. PATENT DOCUMENTS**

8,245,999	B2 *	8/2012	Tartan	.....	D06F 29/00 68/3 R
9,182,132	B2 *	11/2015	Penuel	.....	F24C 15/08
D804,118	S *	11/2017	Kim	.....	D32/25
D854,764	S	7/2019	Park		
D867,698	S *	11/2019	Joo	.....	D32/25
D963,387	S *	9/2022	Hamann	.....	D6/705
D979,864	S	2/2023	Kim		
D982,859	S *	4/2023	Lee	.....	D32/25
11,629,444	B2 *	4/2023	Zhang	.....	D06F 31/00 68/3 R

2005/0139738 A1\* 6/2005 Hwang ..... D06F 39/125

248/300

2015/0143857 A1\* 5/2015 Jo ..... D06F 39/02

68/17 R

2017/0037556 A1\* 2/2017 Doyle ..... D06F 29/00

2019/0307307 A1\* 10/2019 Wong ..... A47L 15/4287

\* cited by examiner

*Primary Examiner* — Keli L Hill

*Assistant Examiner* — Harold E Blackwell, II

(74) *Attorney, Agent, or Firm* — Vladimir Postnikov

(57) **CLAIM**

The ornamental design for a stacking kit, as shown and described.

**DESCRIPTION**

FIG. 1 is a front elevation view of a stacking kit showing the new design;

FIG. 2 is a back elevation view thereof;

FIG. 3 is a left-side view thereof;

FIG. 4 is a right-side view thereof;

FIG. 5 is a top plan view thereof;

FIG. 6 is a bottom plan view thereof;

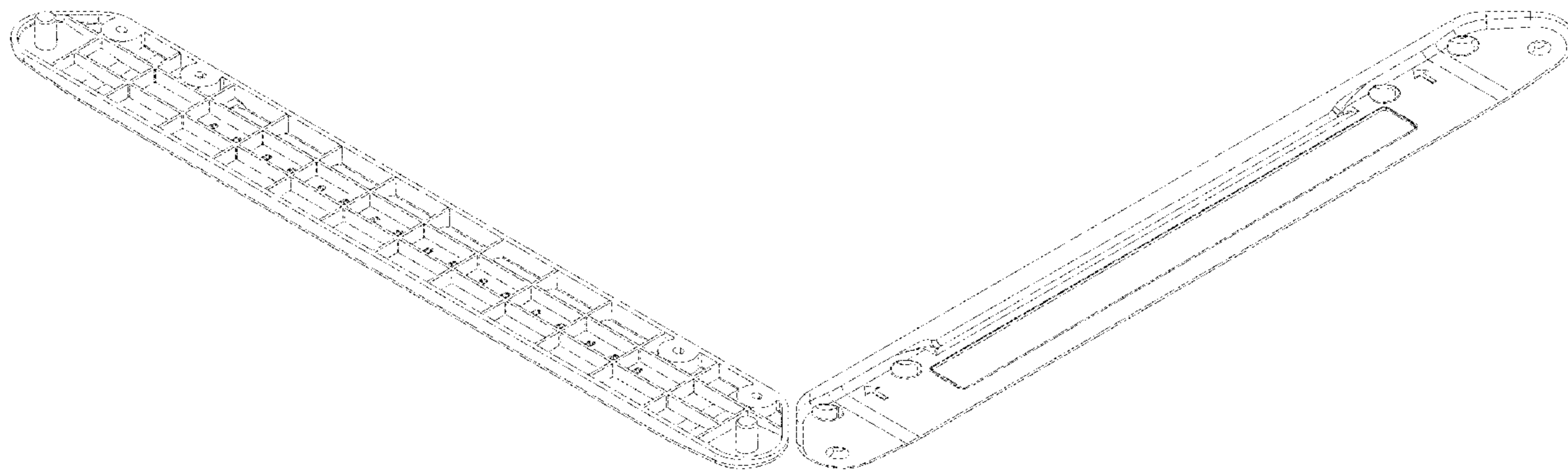
FIG. 7 is a perspective view thereof;

FIG. 8 is another perspective view thereof; and,

FIG. 9 is a perspective view of the stacking kit as it would be positioned during use.

The broken lines of FIG. 9 depicting another stacking kit and two appliances represent environmental structure that forms no part of the claimed design.

**1 Claim, 9 Drawing Sheets**



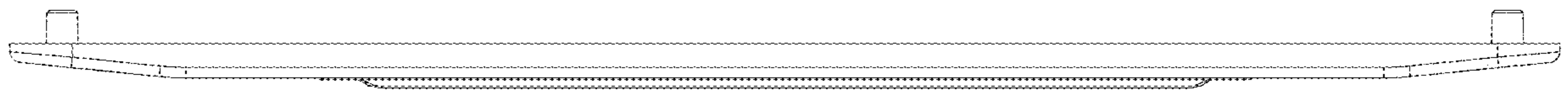


FIG. 1

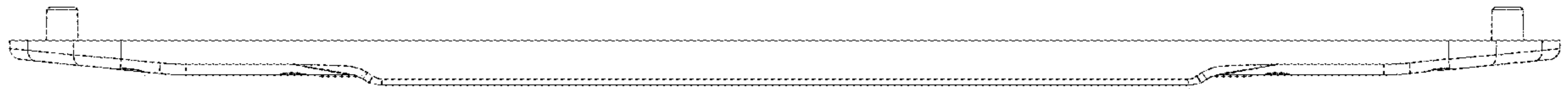


FIG. 2

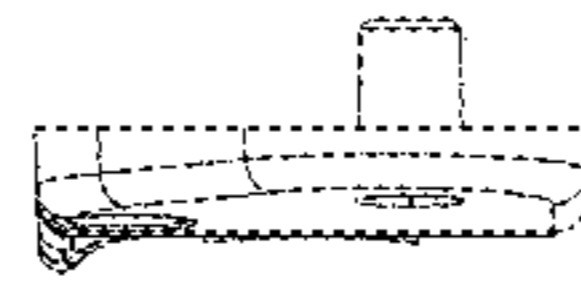


FIG. 3

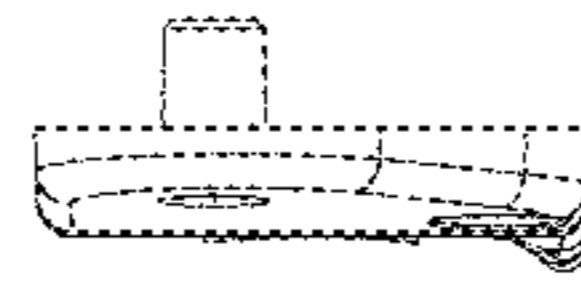


FIG. 4

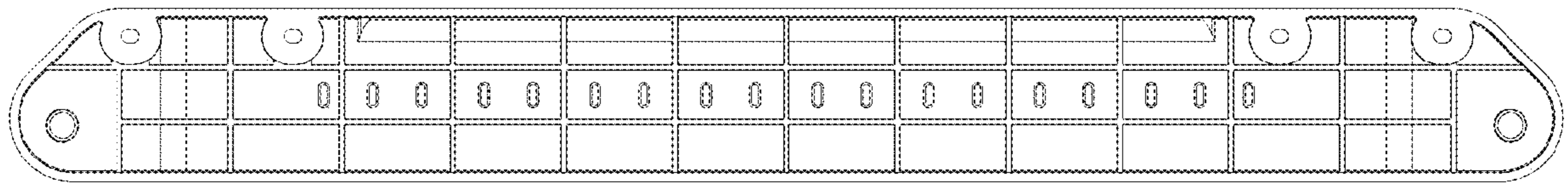


FIG. 5

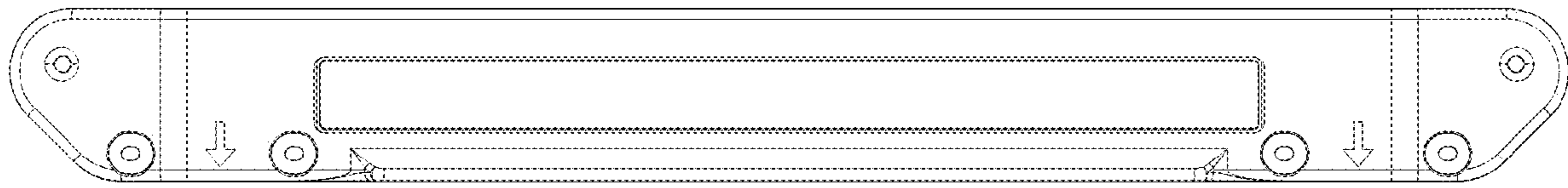


FIG. 6

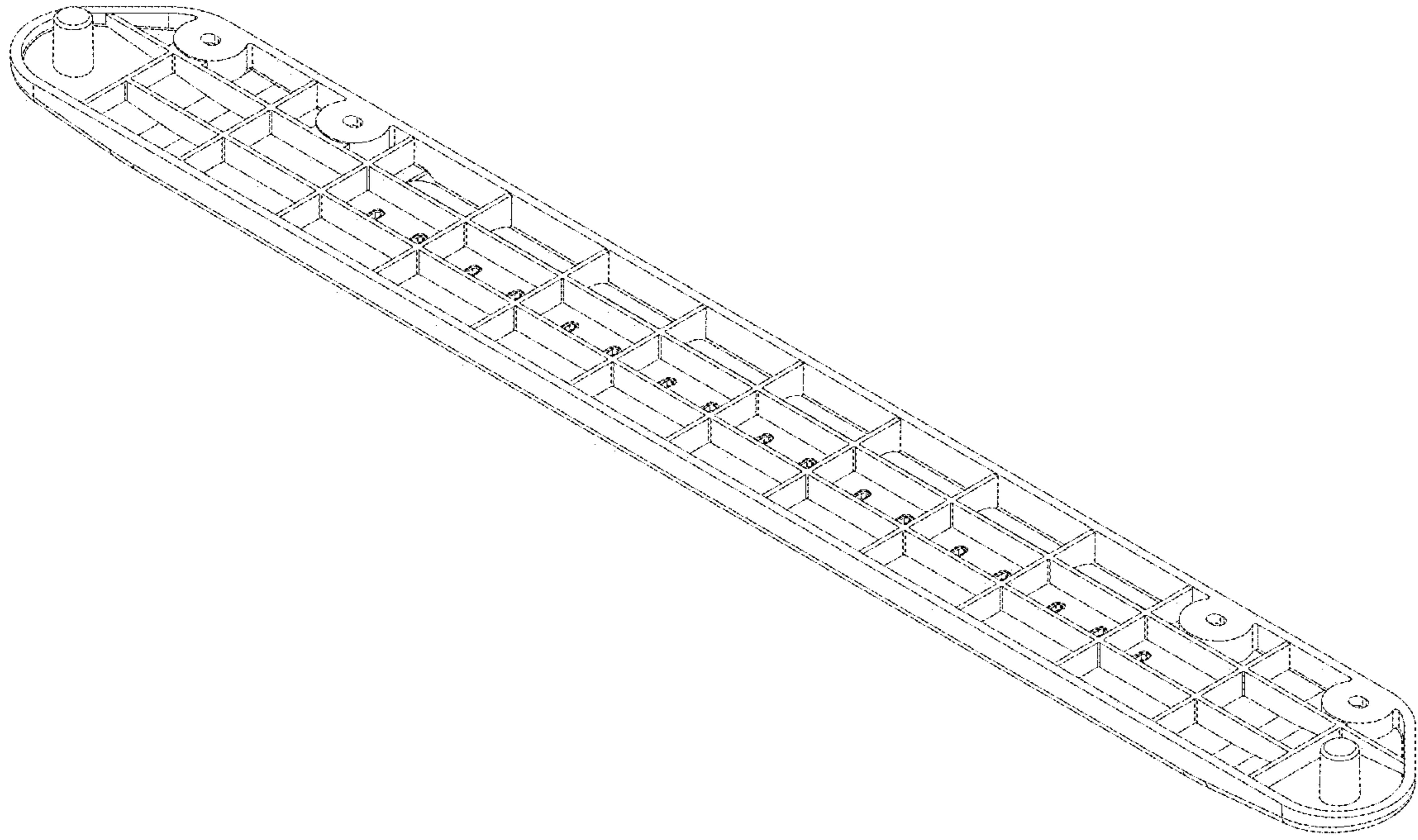


FIG. 7



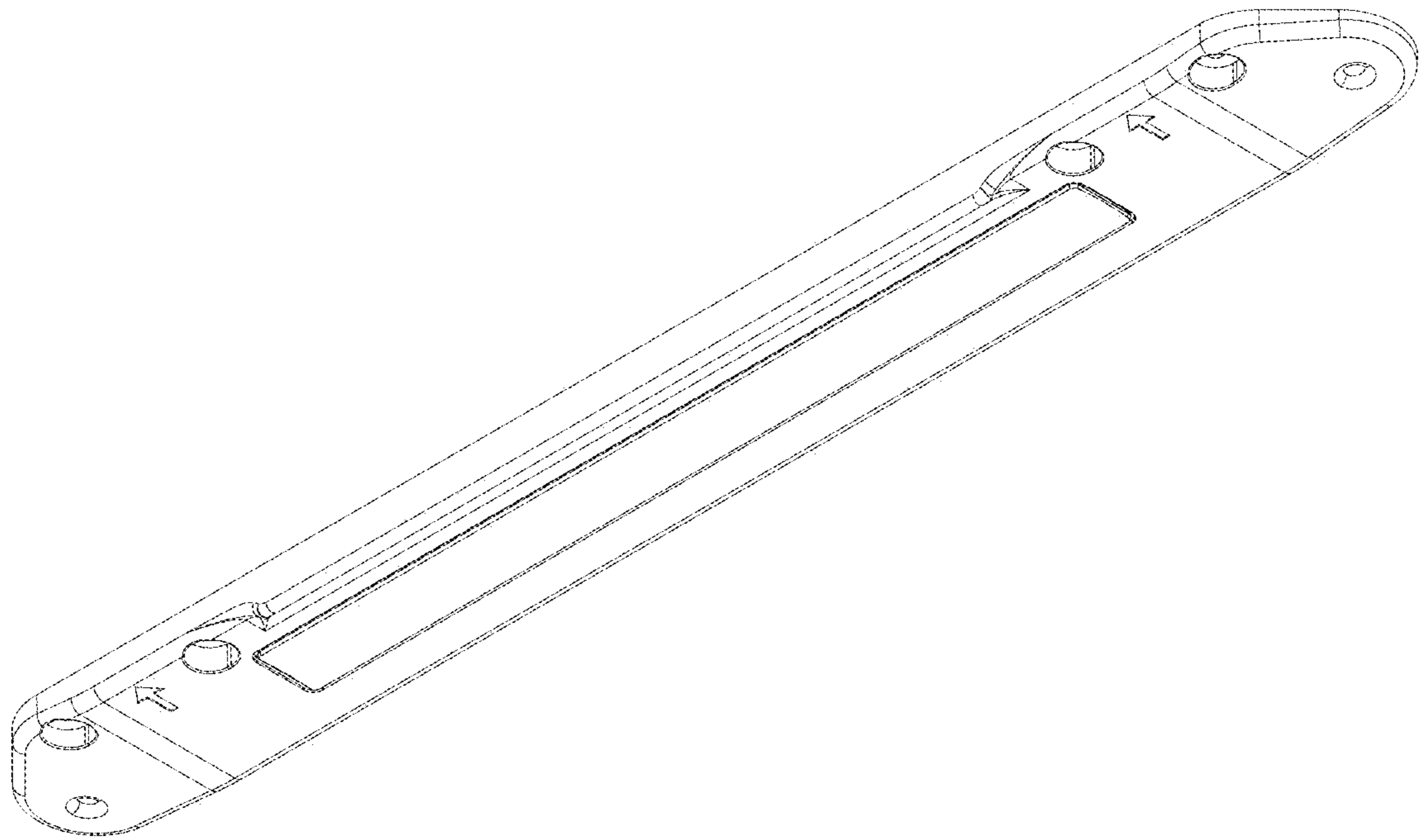


FIG. 8

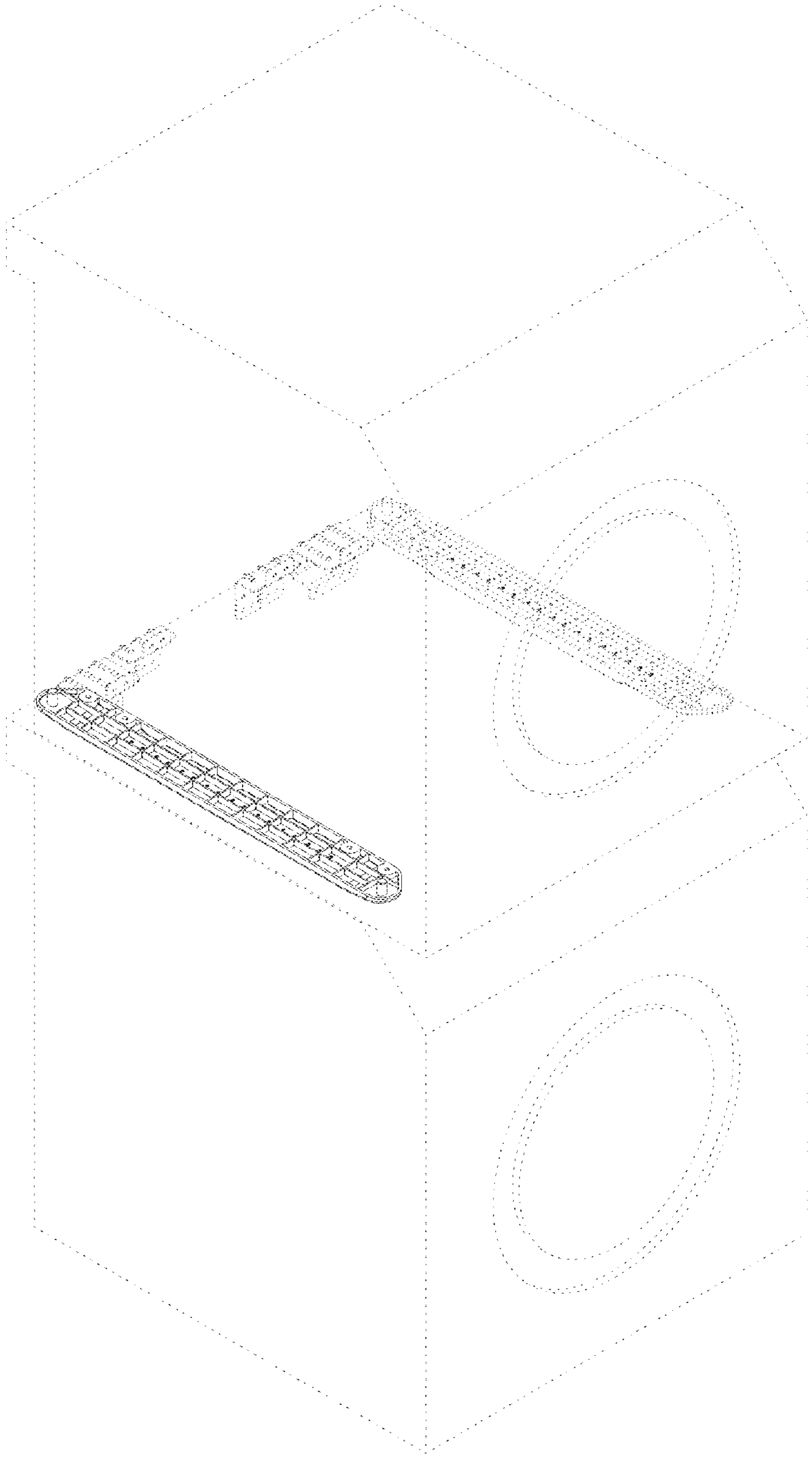


FIG. 9