



US0D1011150S

(12) **United States Design Patent** (10) **Patent No.:** **US D1,011,150 S**  
**Pan** (45) **Date of Patent:** **\*\* Jan. 16, 2024**

- (54) **MUG HOLDER**
- (71) Applicant: **Spectrum Diversified Designs, LLC**,  
Streetsboro, OH (US)
- (72) Inventor: **Rongxuan Rora Pan**, Cleveland, OH  
(US)
- (73) Assignee: **Spectrum Diversified Designs, LLC**,  
Glenwillow, OH (US)
- (\*\*) Term: **15 Years**
- (21) Appl. No.: **29/831,795**
- (22) Filed: **Mar. 23, 2022**
- (51) **LOC (14) Cl.** ..... **07-06**
- (52) **U.S. Cl.**  
USPC ..... **D7/704**
- (58) **Field of Classification Search**  
USPC ..... D7/701-708, 600.1-600.4  
CPC ..... A47B 73/00; A47B 73/002; A47B 73/004;  
A47B 73/006; A47B 73/008; A47B  
81/04; A47B 81/007; A47G 23/0241;  
A47G 23/0008; A45C 11/20  
See application file for complete search history.

D393,783 S *	4/1998	Goodman	.....	D7/704
D529,348 S *	10/2006	Goodman	.....	D7/704
D539,104 S *	3/2007	Goodman	.....	D7/704
D628,865 S *	12/2010	Guindi	.....	D7/704
D738,696 S *	9/2015	Goodman	.....	D7/704

**OTHER PUBLICATIONS**

Amazon.com, Tribello Coffee Mug Holder for Counter Coffee Mug Tree Organizer for Kitchen—6 Cup Holder Modern Farmhouse Coffee Bar Accessories Steady Mug Tree Stand, ASIN: B0B2H2W9QX, 6 pages, date first available Dec. 9, 2021 (Year: 2021).\*

\* cited by examiner

*Primary Examiner* — Terry A Wallace

(74) *Attorney, Agent, or Firm* — Tucker Ellis LLP

(57) **CLAIM**

The ornamental design for a mug holder, as shown and described.

**DESCRIPTION**

FIG. 1 is a perspective view of a mug holder showing my new design.

FIG. 2 is a front view thereof.

FIG. 3 is a back view thereof.

FIG. 4 is a left side view thereof.

FIG. 5 is a right side view thereof.

FIG. 6 is a top view thereof; and,

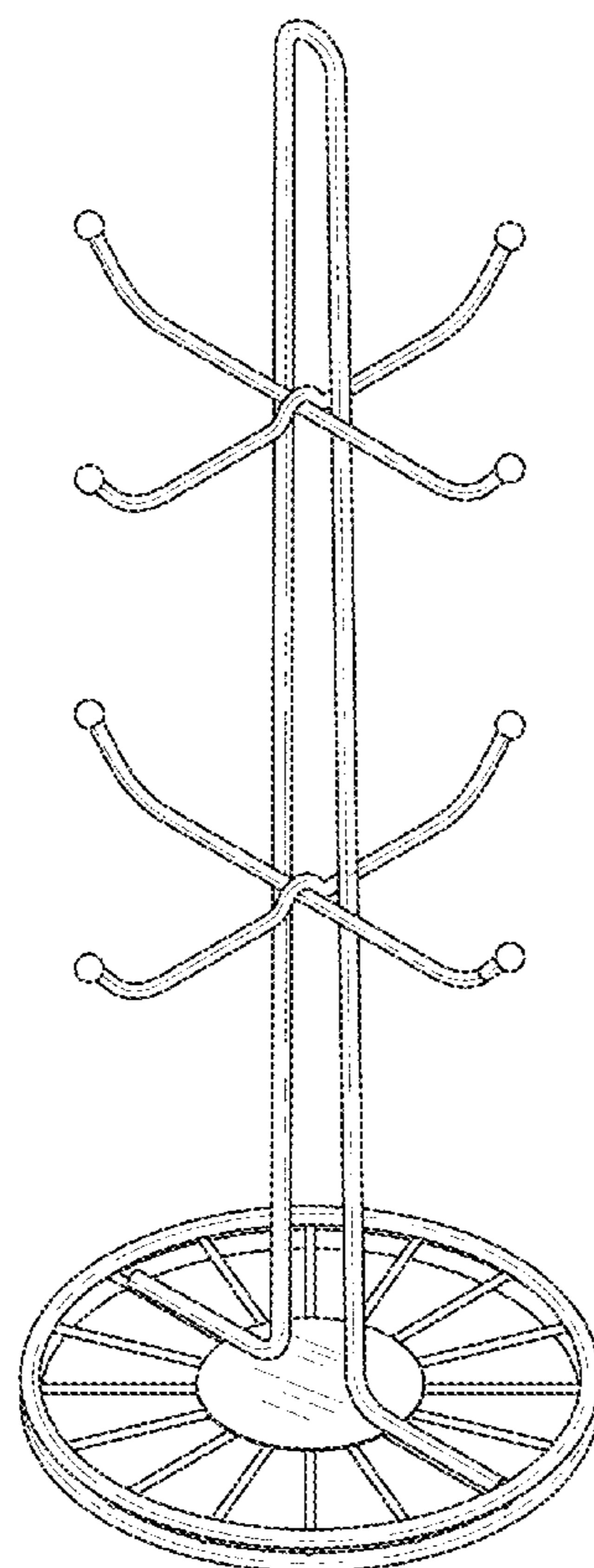
FIG. 7 is a bottom view thereof.

(56) **References Cited**

**U.S. PATENT DOCUMENTS**

D201,514 S *	6/1965	Kutner	.....	D7/707
D385,758 S *	11/1997	Hollinger	.....	D7/704

**1 Claim, 5 Drawing Sheets**



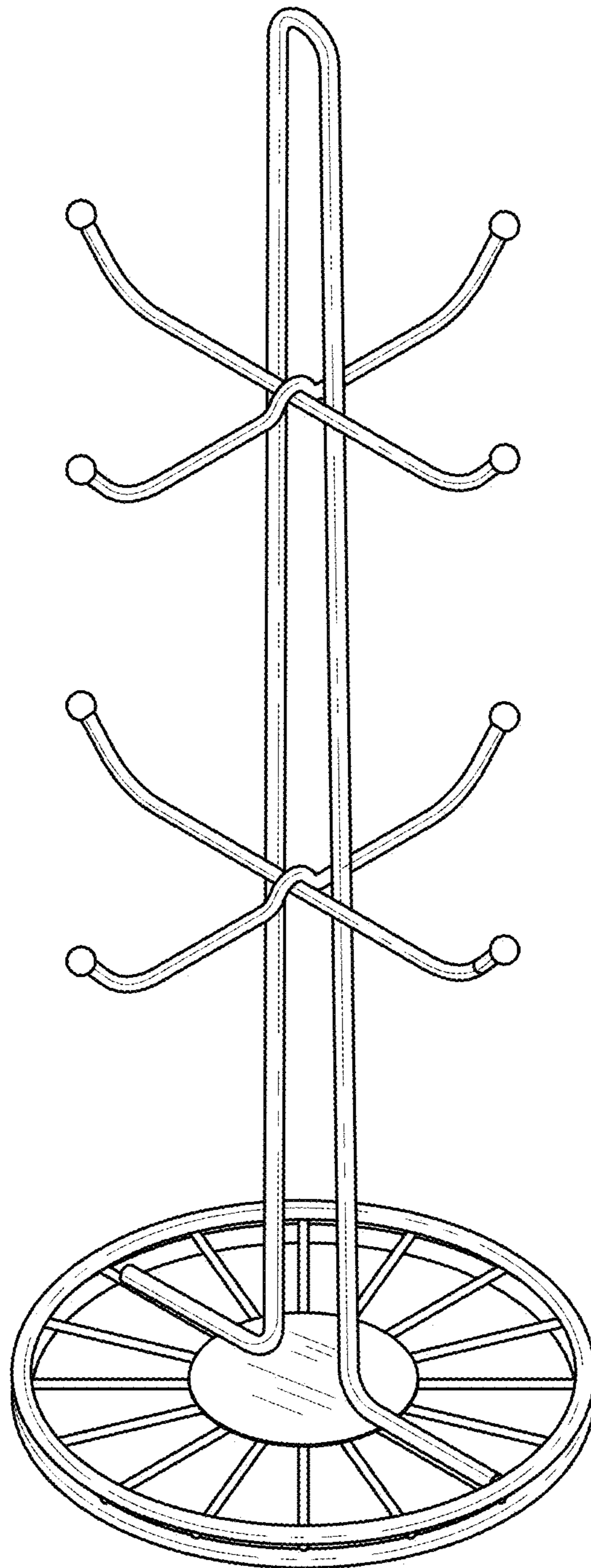


FIG. 1

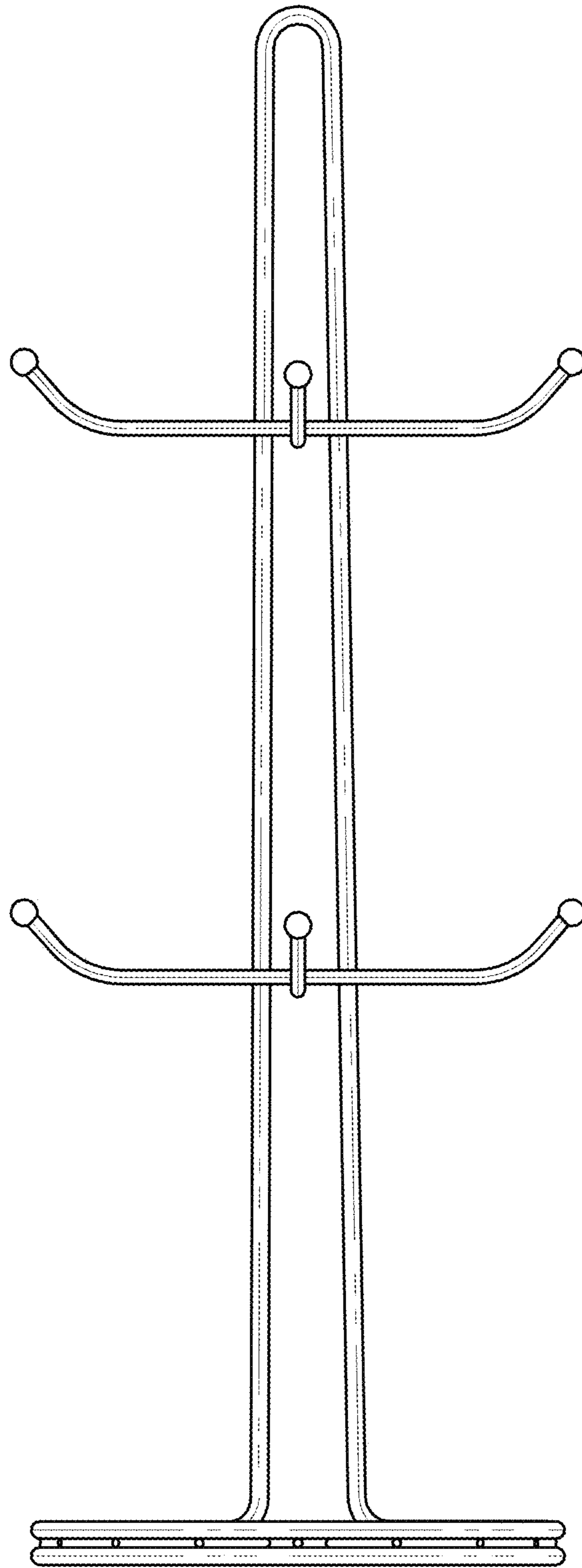


FIG. 2

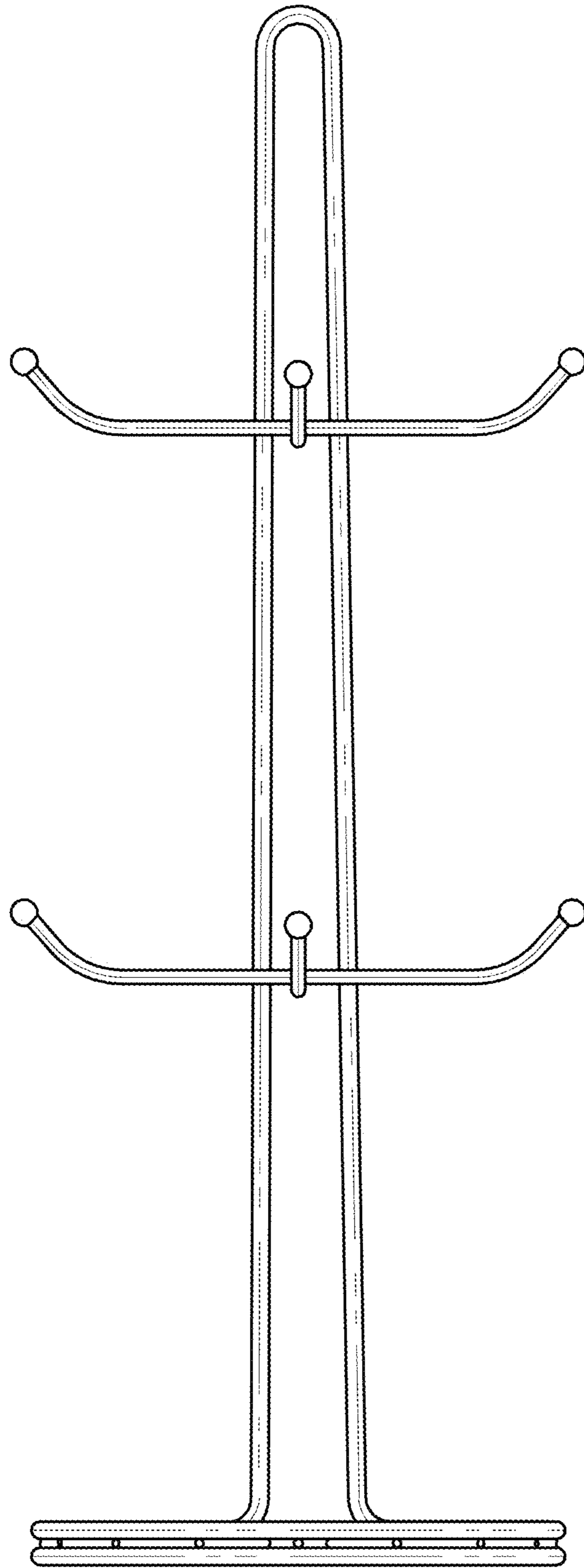


FIG. 3

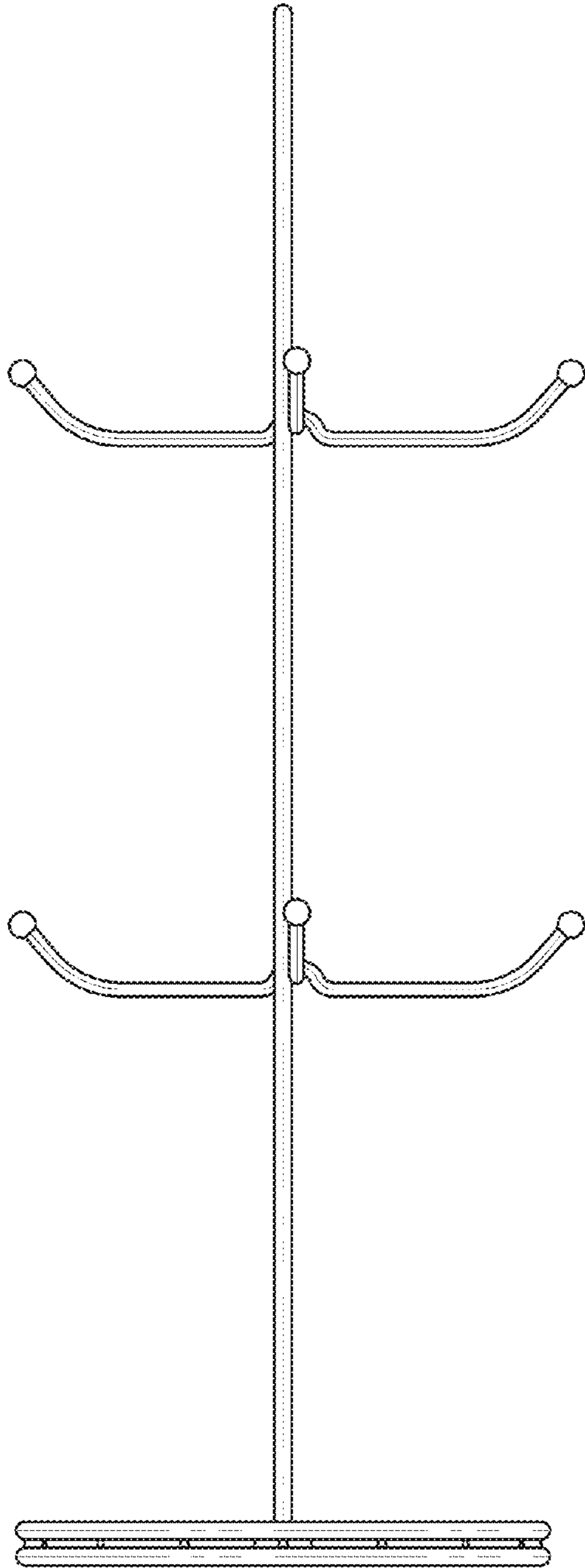


FIG. 4

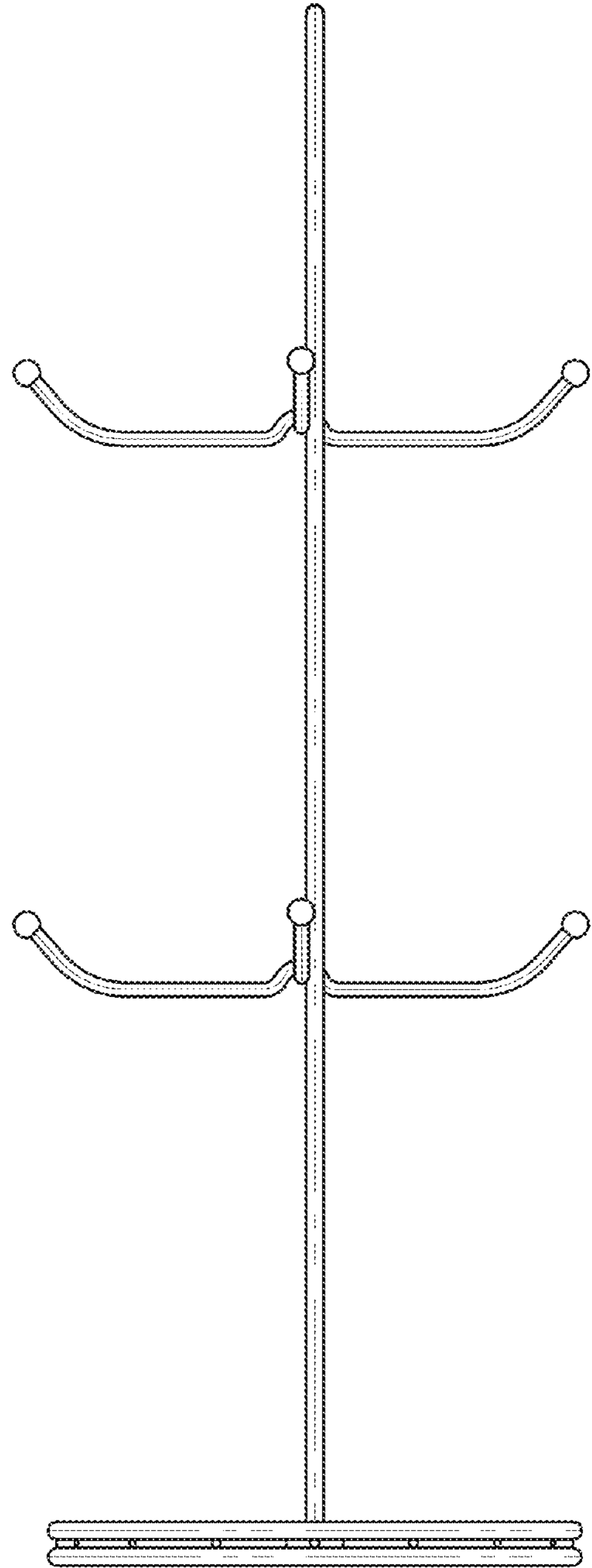


FIG. 5

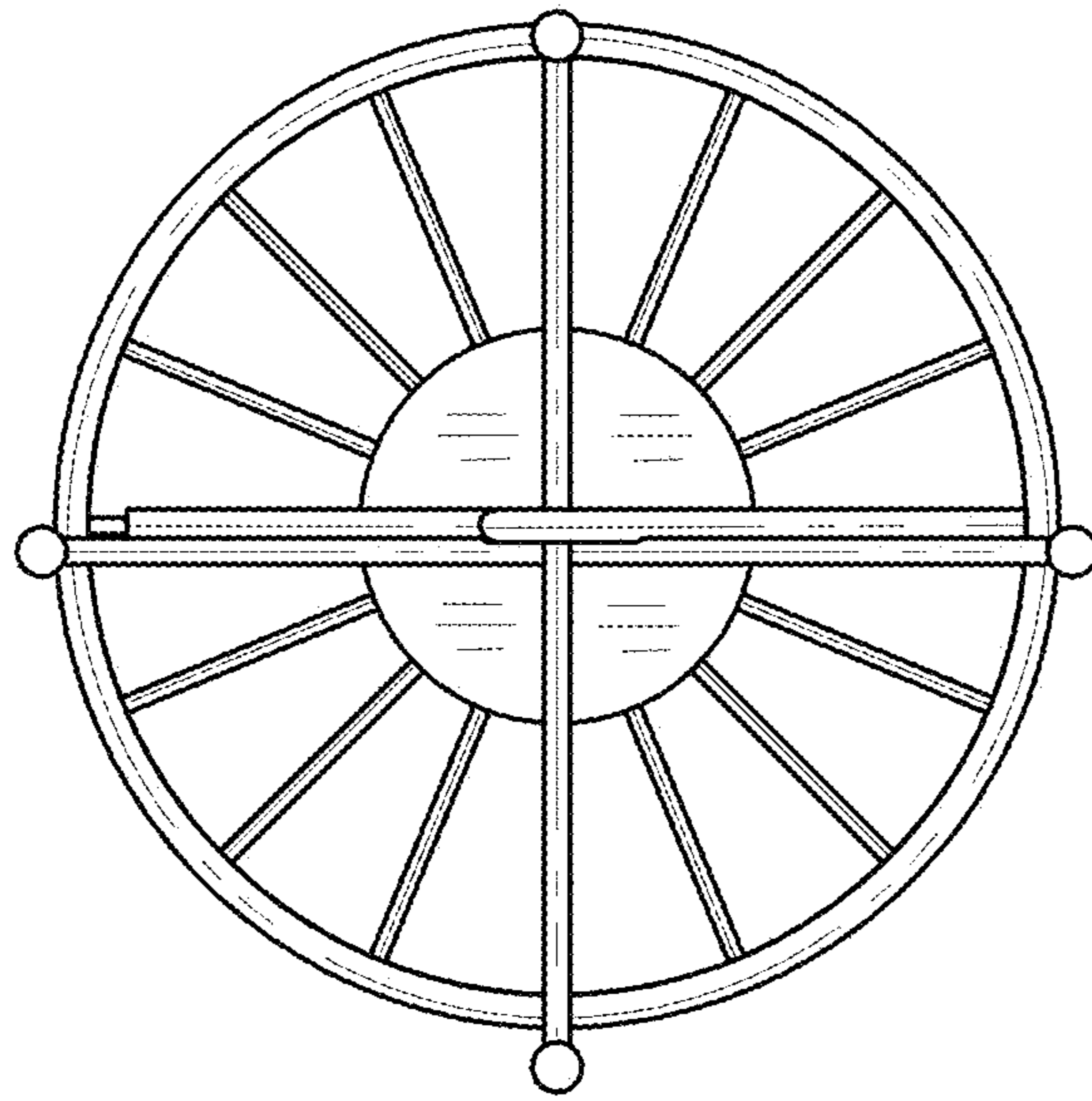


FIG. 6

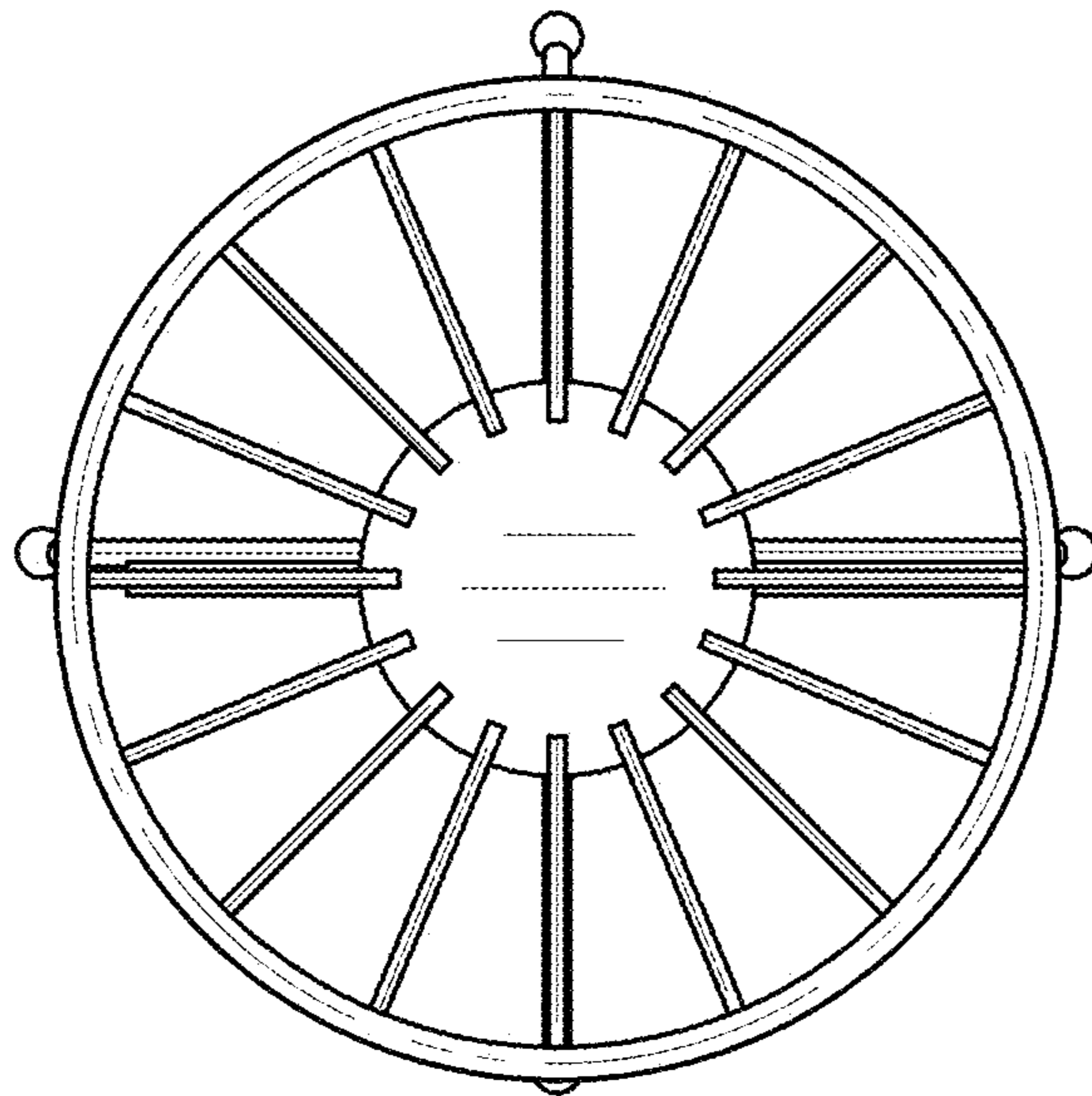


FIG. 7