



US0D1011075S

(12) **United States Design Patent** (10) **Patent No.:** **US D1,011,075 S**
He (45) **Date of Patent:** **** Jan. 16, 2024**

(54) **SPONGE HOLDER**
(71) Applicant: **Taifeng He**, Guangdong (CN)
(72) Inventor: **Taifeng He**, Guangdong (CN)
(**) Term: **15 Years**
(21) Appl. No.: **29/910,178**

D916,512 S * 4/2021 Tang D6/566
D989,513 S 6/2023 Mu
D998,379 S * 9/2023 Snell D6/525

FOREIGN PATENT DOCUMENTS

GB 6250068 * 12/2022
JP D1632772 * 5/2022
JP D1717417 * 6/2022
JP D1663062 * 7/2022

(22) Filed: **Aug. 16, 2023**
(51) **LOC (14) Cl.** **06-04**
(52) **U.S. Cl.**
USPC **D6/525**
(58) **Field of Classification Search**
USPC D6/525, 539, 524, 536, 537, 540, 566,
D6/567, 320, 533, 553, 564; D3/306;
D7/637; D11/160; D21/714, 659;
D32/55, 56
CPC .. A47K 1/09; A47K 1/08; A47K 3/281; F16B
47/00
See application file for complete search history.

OTHER PUBLICATIONS

Murlong Sponge Holder, posted Aug. 25, 2023 [online], [retrieved Oct. 31, 2023]. Retrieved from internet, <https://www.amazon.com/MURLONG-Organizer-Stainless-Adhesive-Sponge-Black/dp/B0CGLXD9GV> (Year: 2023).*

(Continued)

Primary Examiner — Cynthia Ramirez
Assistant Examiner — Jeremy S. Swartz

(57) **CLAIM**

The ornamental design for a sponge holder, as shown and described.

(56) **References Cited**

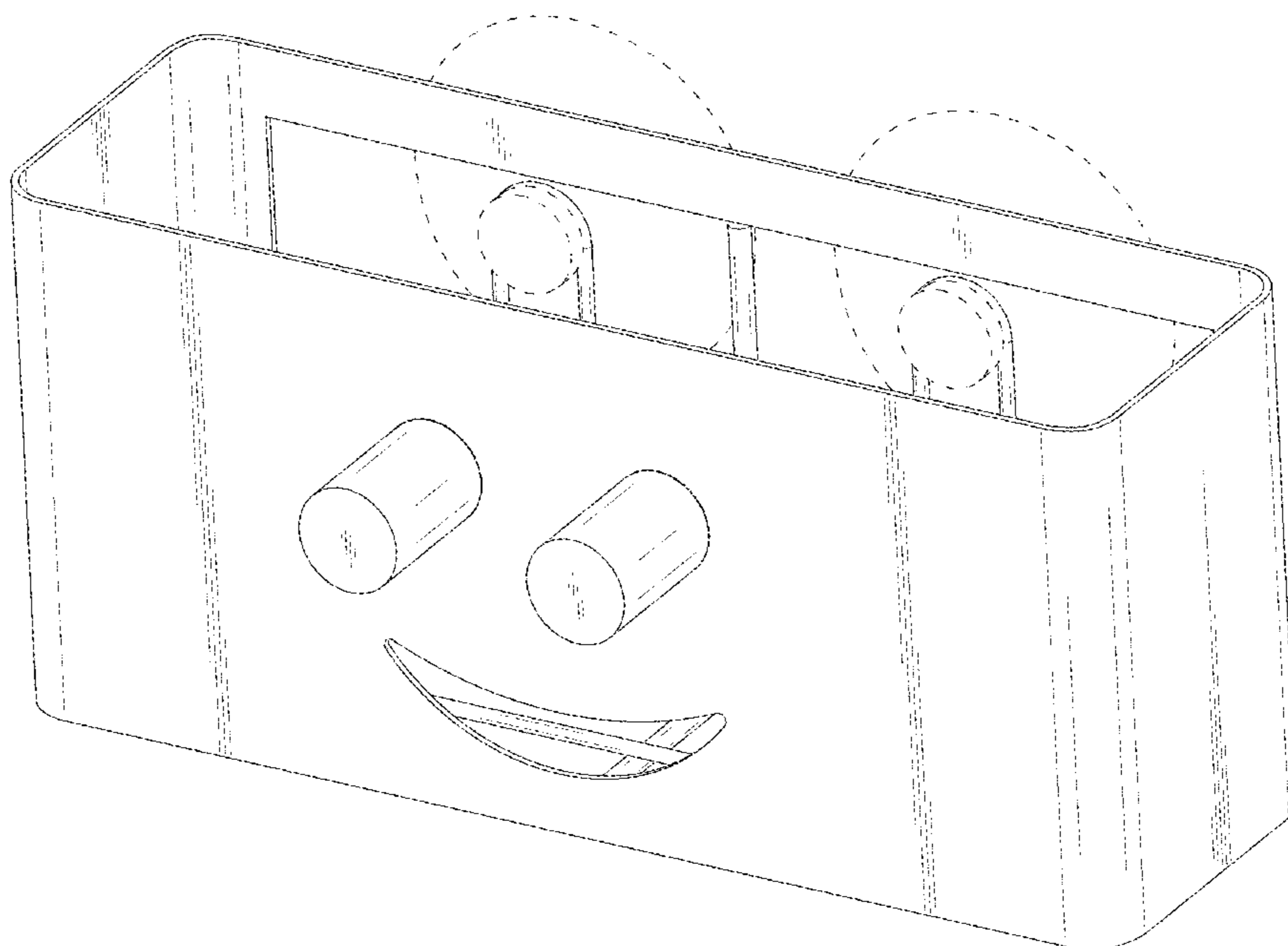
U.S. PATENT DOCUMENTS

D453,651 S * 2/2002 Snell D6/537
D563,708 S * 3/2008 Snell D6/566
D642,841 S * 8/2011 Dretzka D6/553
D668,496 S 10/2012 Ho et al.
D776,890 S * 1/2017 Reaux D32/40
D811,122 S 2/2018 Goodman
D812,930 S * 3/2018 Krause D6/564
D815,785 S * 4/2018 Reaux D32/52
D832,614 S * 11/2018 Jun D32/55
D835,430 S 12/2018 Krause et al.
D845,667 S 4/2019 Krause et al.
D861,374 S 10/2019 Goodman et al.
D874,847 S 2/2020 Stevens
D903,370 S 12/2020 Kim

DESCRIPTION

FIG. 1 is a top perspective view of a sponge holder design showing my new design.
FIG. 2 is a bottom perspective view thereof.
FIG. 3 is a front view thereof.
FIG. 4 is a rear view thereof.
FIG. 5 is a right side view thereof.
FIG. 6 is a left side view thereof.
FIG. 7 is a top view thereof; and,
FIG. 8 is a bottom view thereof.
The broken lines in the drawings illustrate portions of the sponge holder that form no part of the claim.

1 Claim, 8 Drawing Sheets



(56)

References Cited

OTHER PUBLICATIONS

Utobao Sponge Holder, posted May 26, 2023 [online], [retrieved Oct. 31, 2023]. Retrieved from internet, <https://www.amazon.com/Utobao-Kitchen-Scrubber-Installation-Adhesive/dp/B0C6FJDKHY?th=1> (Year: 2023).*

SunnyPoint NeverRust Kitchen Sink Suction Holder for Sponges, posted Aug. 21, 2019 [online], [retrieved Oct. 31, 2023]. Retrieved from internet, <https://www.amazon.com/SunnyPoint-NeverRust-Scrubbers-Bathroom-Aluminum/dp/B087G4JMF9?th=1> (Year: 2019).*

Sponge Holder Sink Caddy for Scrub Sponges, posted Feb. 27, 2023 [online], [retrieved Oct. 31, 2023]. Retrieved from internet, <https://www.amazon.com/Installation-Bathroom-Draining-Dishwasher-Included/dp/B0BWY47544?th=1> (Year: 2023).*

Kesol Adhesive Sink Sponge Holder, posted Apr. 30, 2022 [online], [retrieved Oct. 31, 2023]. Retrieved from internet, <https://www.amazon.com/Adhesive-Sponge-Holder-Stainless-Kitchen/dp/B09XD9479G?th=1> (Year: 2022).*

* cited by examiner

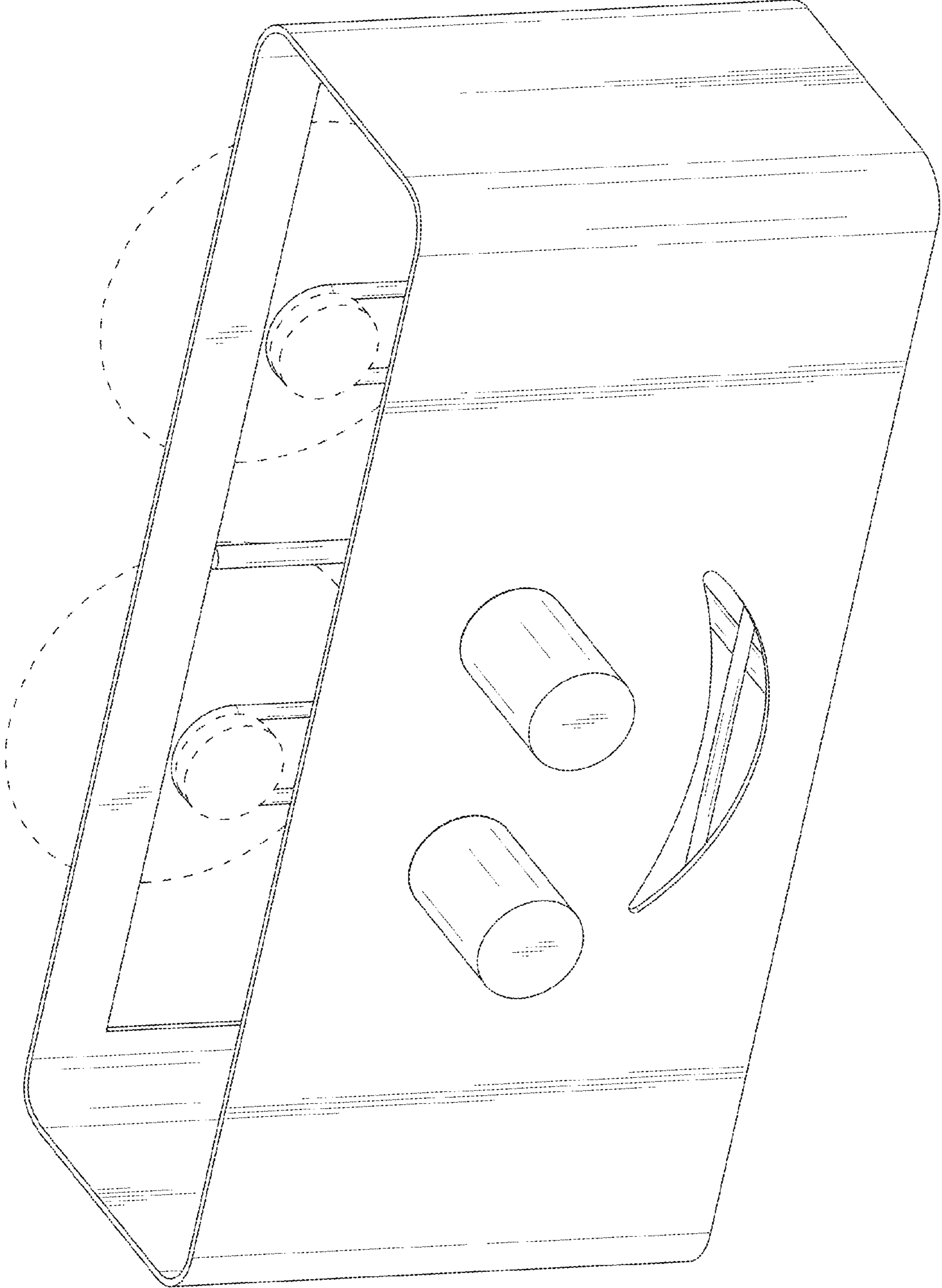


FIG. 1

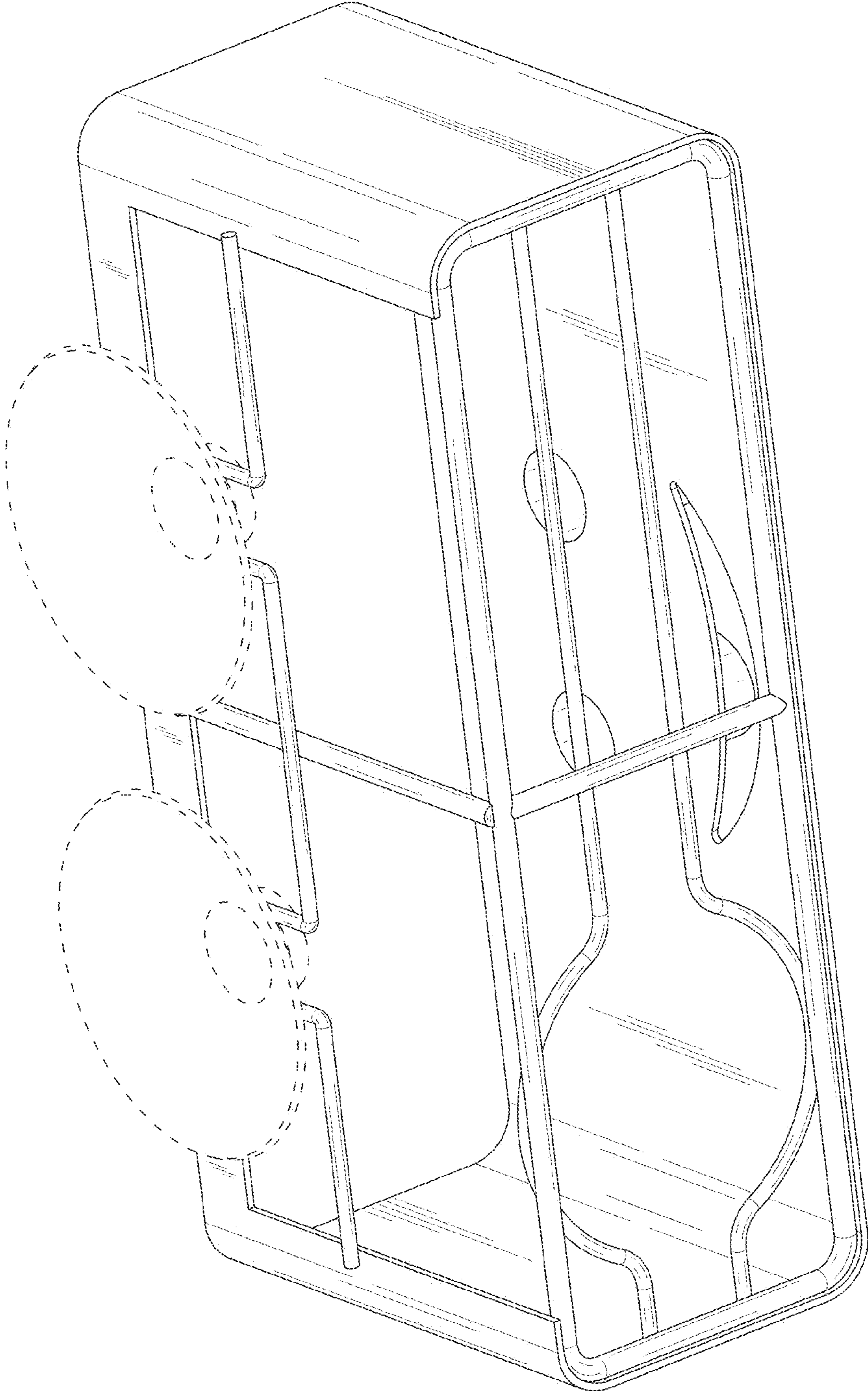


FIG. 2

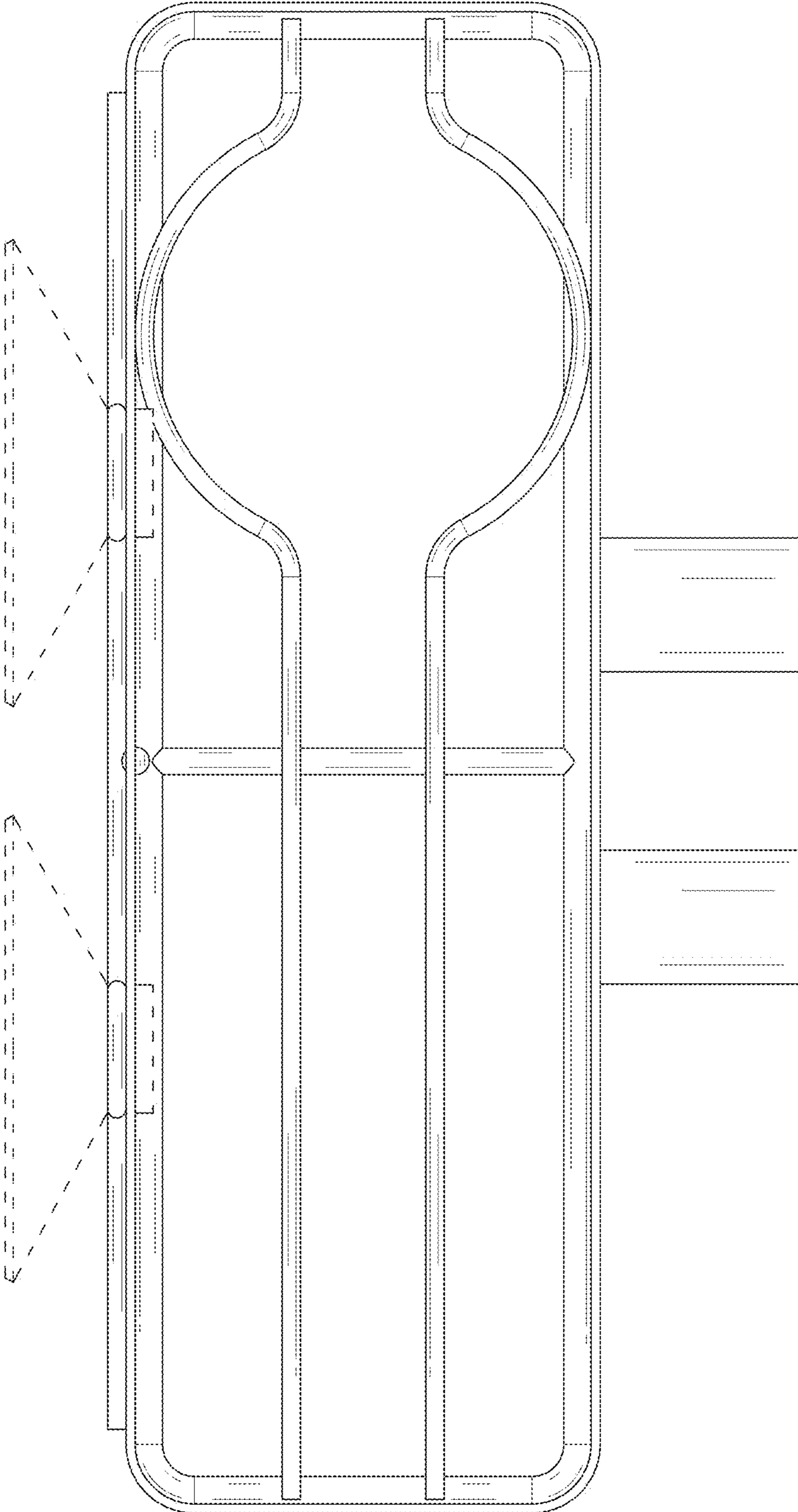


FIG. 3

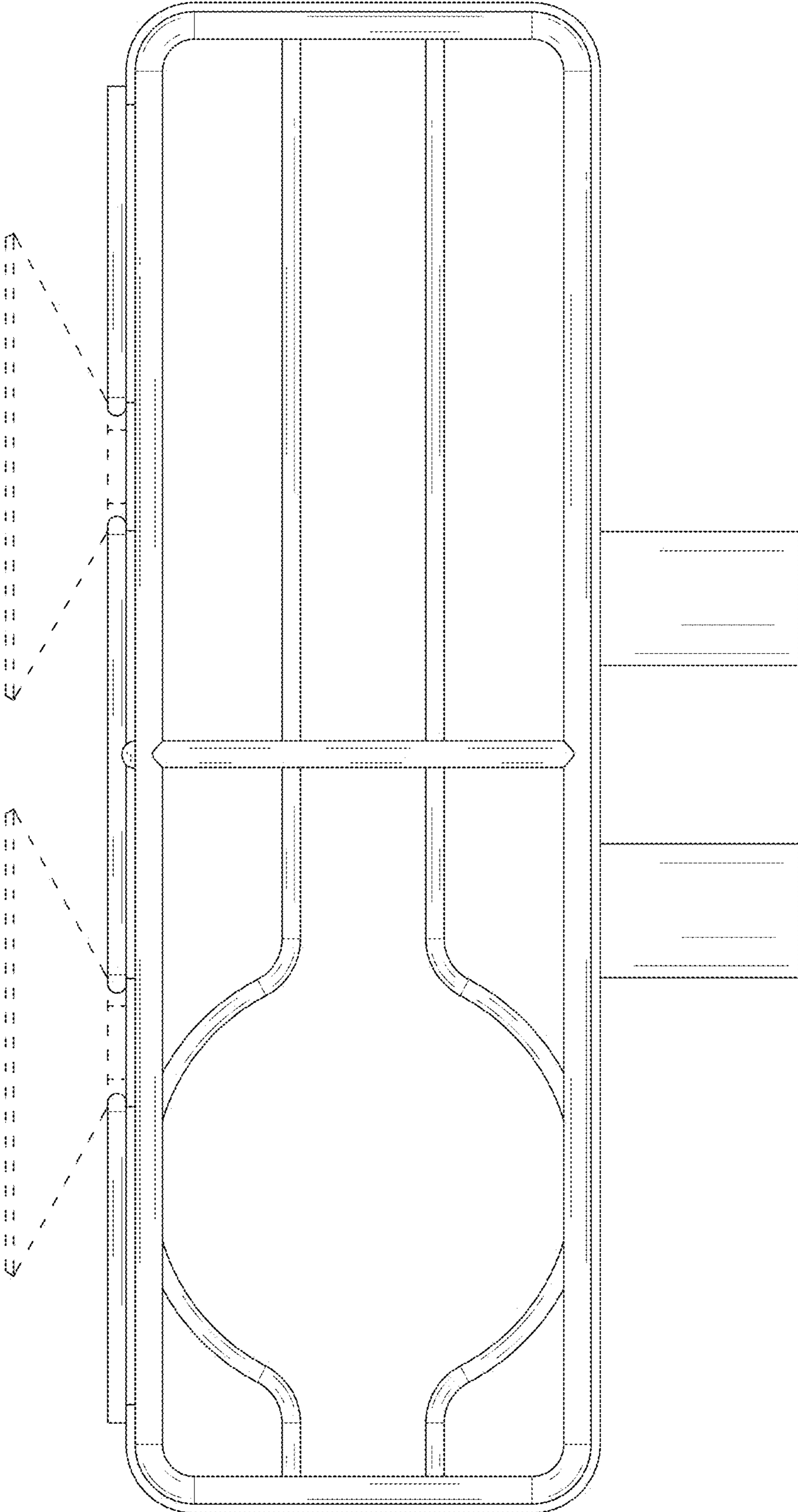


FIG. 4

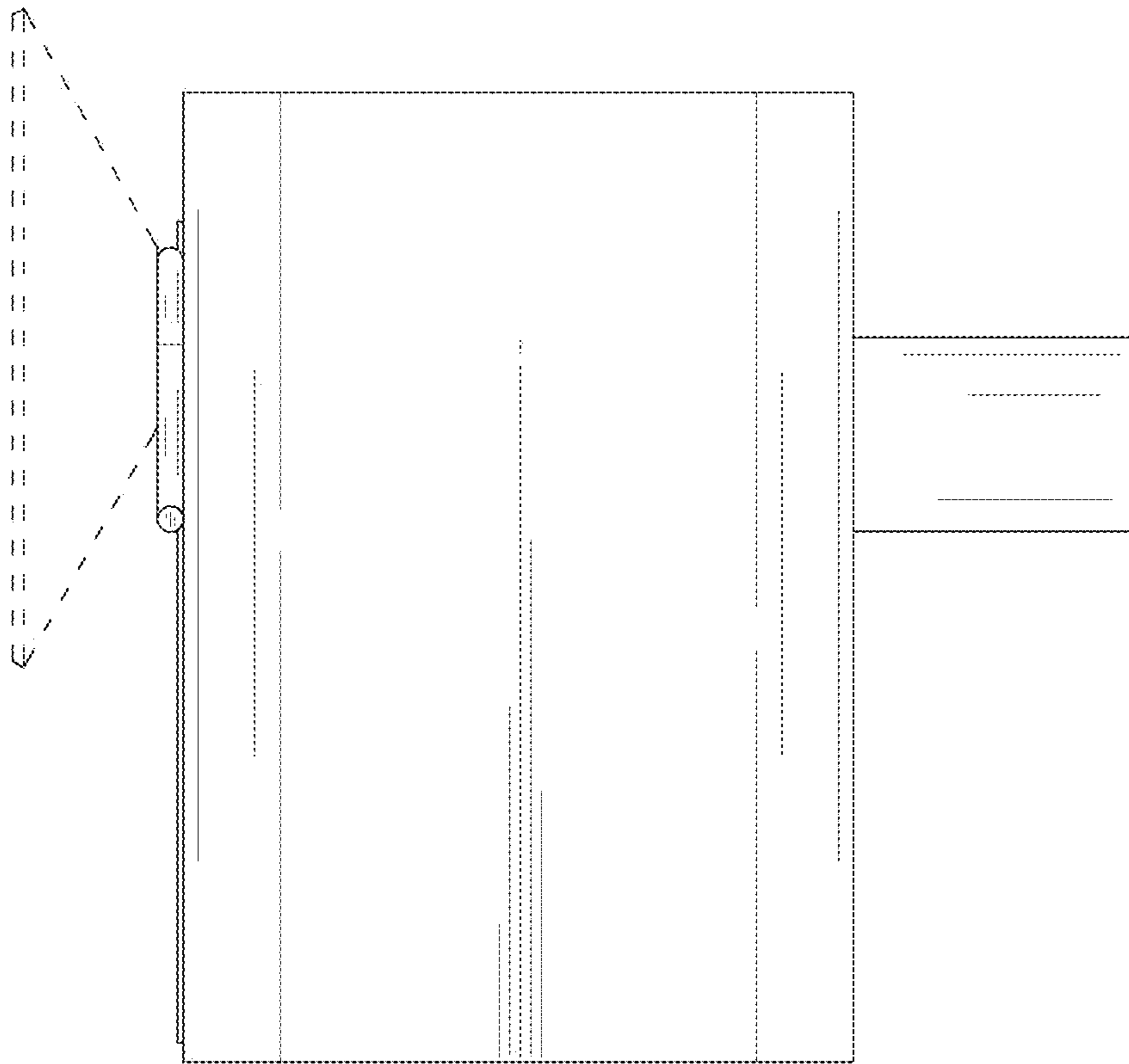


FIG. 5

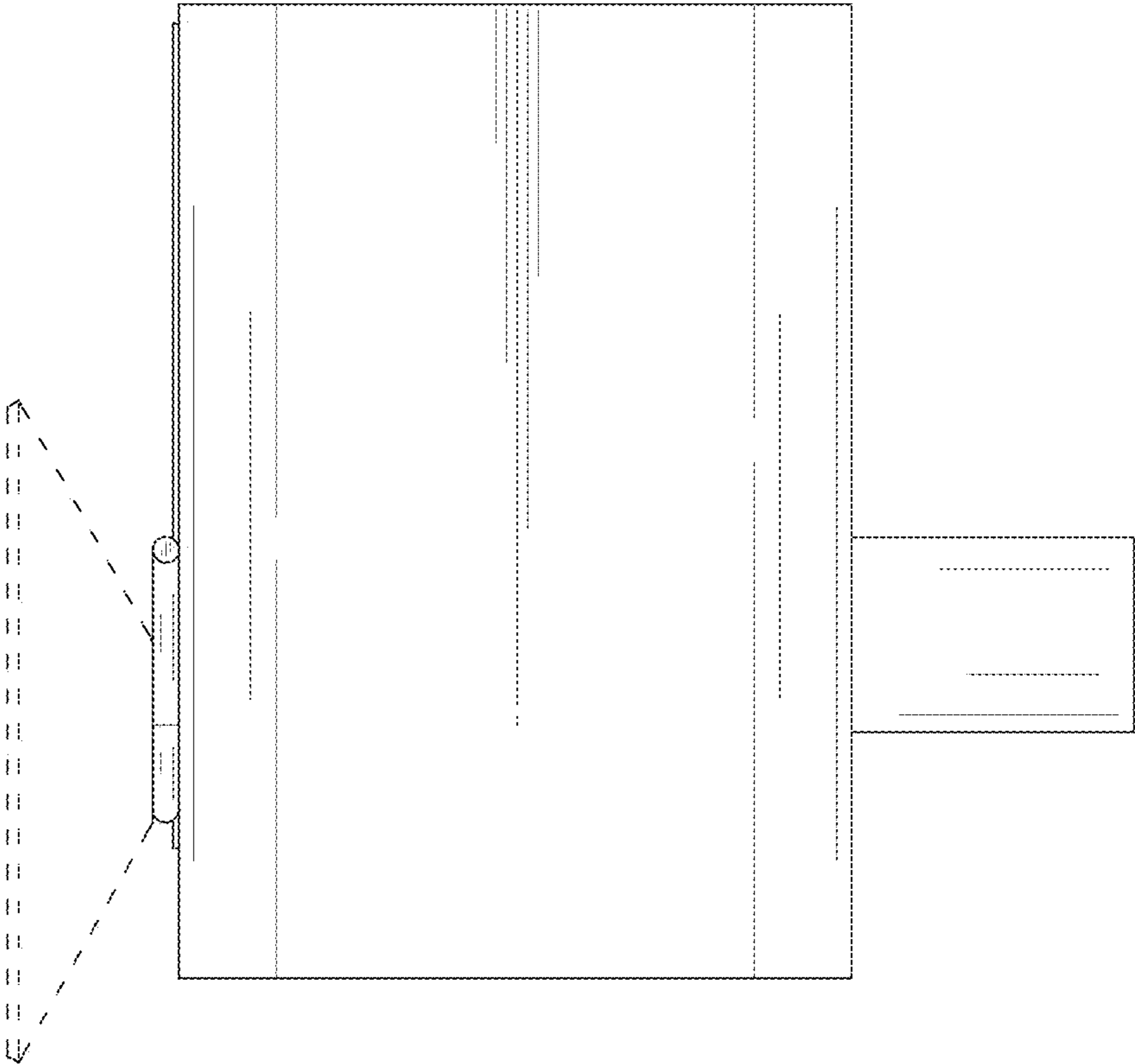


FIG. 6

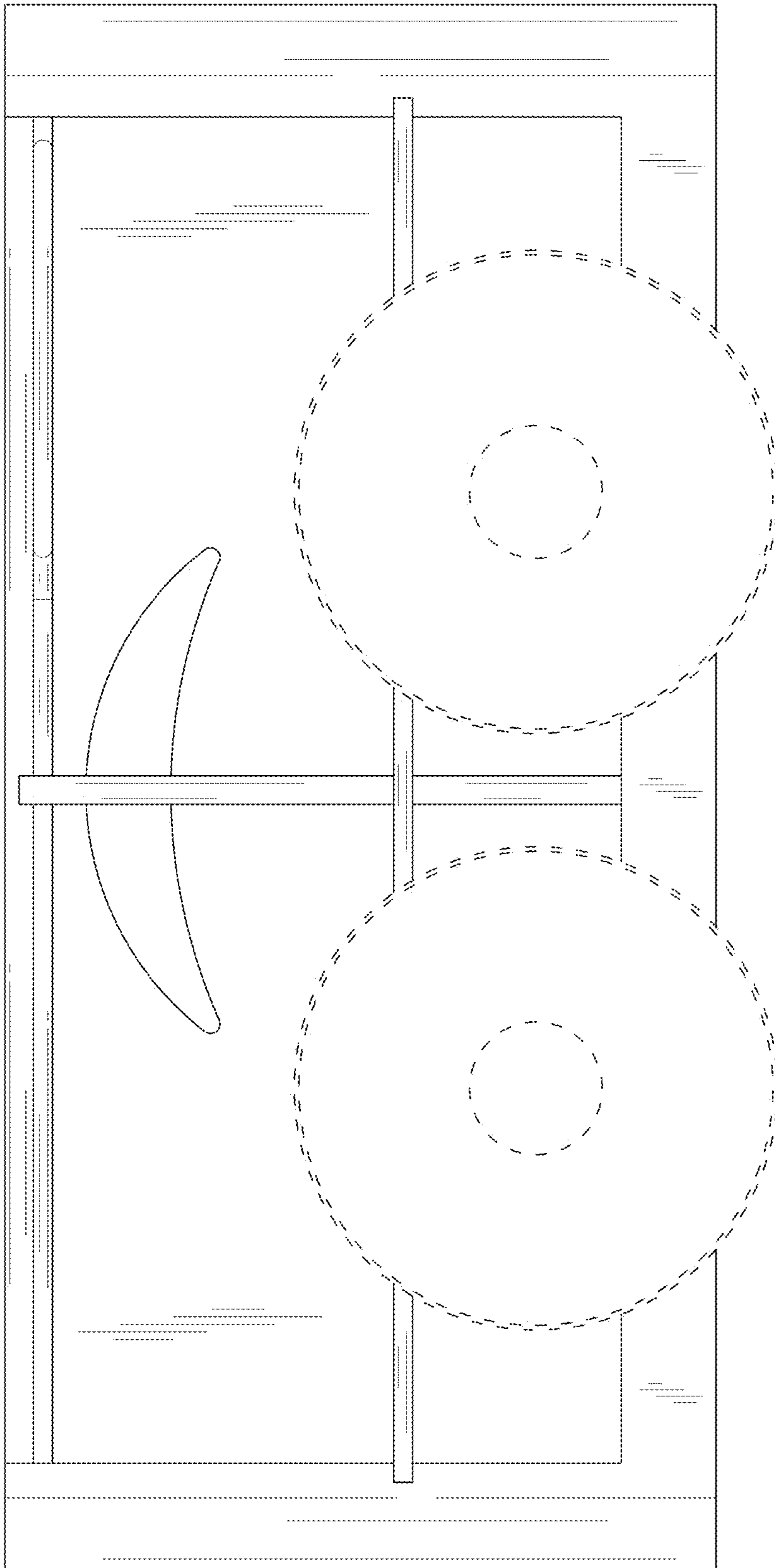


FIG. 7

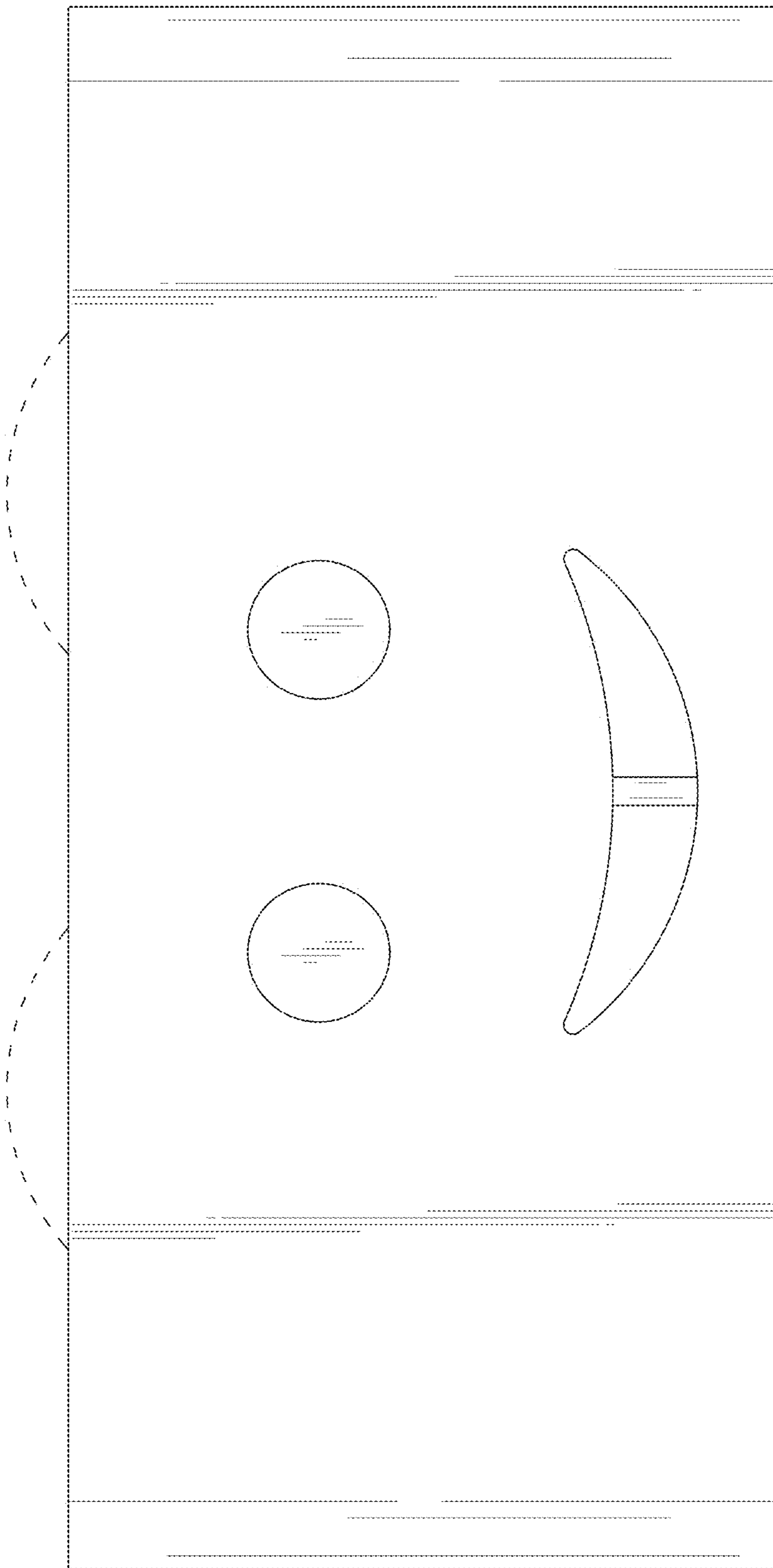


FIG. 8