



US0D1011025S

(12) **United States Design Patent** (10) **Patent No.:** **US D1,011,025 S**  
**Dumas** (45) **Date of Patent:** **\*\* Jan. 16, 2024**

(54) **BAG**

FOREIGN PATENT DOCUMENTS

(71) Applicant: **HERMES SELLIER (Société par actions simplifiée)**, Paris (FR)

FR 994541-001 \* 11/1999  
KR 300584226.0000 \* 1/2011

(72) Inventor: **Pierre-Alexis Dumas**, Paris (FR)

OTHER PUBLICATIONS

(\*\*) Term: **15 Years**

Kellydole Picto (Kelly Doll for Spring/Summer 2022, forum started Mar. 7, 2022, forum.purseblog.com [online], [site visited Nov. 9, 2022], Available at URL: <https://forum.purseblog.com/threads/kellydole-picto-kelly-doll-for-spring-summer-2022.1050747/> (Year: 2022).\*

(21) Appl. No.: **35/513,383**

(22) Filed: **Jul. 19, 2021**

(Continued)

(80) **Hague Agreement Data**

Int. Filing Date: **Jul. 19, 2021**  
Int. Reg. No.: **DM/215668**  
Int. Reg. Date: **Jul. 19, 2021**  
Int. Reg. Pub. Date: **Jan. 21, 2022**

*Primary Examiner* — Jeffrey D Asch  
*Assistant Examiner* — Caitlin A Laverty

(51) **LOC (14) Cl.** ..... **03-01**

(57) **CLAIM**

The ornamental design for a bag, as shown and described.

(52) **U.S. Cl.**

USPC ..... **D3/236**; D3/233; D3/246

(58) **Field of Classification Search**

USPC ..... D3/215, 226, 232–246, 273, 276,  
D3/289–291, 299–301  
CPC .. A45C 1/024; A45C 1/02; A45C 3/04; A45C  
3/06; A45C 3/08; A45C 3/10; A45C  
13/08; A45C 13/26; A45C 7/0077; A45C  
7/059; A45C 5/00; A45C 5/06

See application file for complete search history.

**DESCRIPTION**

- 1. Bag
- 1.1 : Perspective
- 1.2 : Front
- 1.3 : Back
- 1.4 : Right
- 1.5 : Left
- 1.6 : Top
- 1.7 : Bottom
- 1.8 : rear perspective
- 1.9 : rear perspective
- 1.10 : partial perspective
- 1.11 : partial front view
- 1.12 : partial rear view
- 1.13 : partial right view
- 1.14 : partial left view
- 1.15 : partial top view
- 1.16 : partial bottom view
- 1.17 : partial rear perspective

(56) **References Cited**

U.S. PATENT DOCUMENTS

D136,560 S \* 10/1943 Lebaigue ..... D3/243  
D250,747 S \* 1/1979 Mollico ..... D15/151  
D302,766 S \* 8/1989 Johnston ..... D3/243  
D489,892 S \* 5/2004 Cassegrain ..... D3/246  
D489,897 S \* 5/2004 Guyon ..... D3/246  
D502,314 S \* 3/2005 Cassegrain ..... D3/246  
D606,747 S \* 12/2009 Braccialini ..... D3/238  
D656,313 S \* 3/2012 Dumas ..... D3/243

(Continued)

(Continued)



In reproductions 1.10-1.17 the rear pocket has been removed from the bag to more clearly show the features of the main bag.

**1 Claim, 17 Drawing Sheets**

(56)

**References Cited**

U.S. PATENT DOCUMENTS

D718,937 S	*	12/2014	Nishimoto .....	D3/318
D848,145 S	*	5/2019	Dumas .....	A45C 11/005
				D3/232
D917,162 S	*	4/2021	Dumas .....	A45C 1/00
				D3/243
D979,229 S	*	2/2023	Dumas .....	D3/243
D979,235 S	*	2/2023	Dumas .....	D3/243

OTHER PUBLICATIONS

Coach's New Coachies Bags Are All About Showing Personality, article posted Aug. 18, 2022, fashiongonerogue.com [online], [site visited Nov. 9, 2022], 7 pages provided, Available at URL: <https://www.fashiongonerogue.com/coach-coachies-bags-fall-2022-collection/> (Year: 2022).\*

\* cited by examiner



1.1





1.2

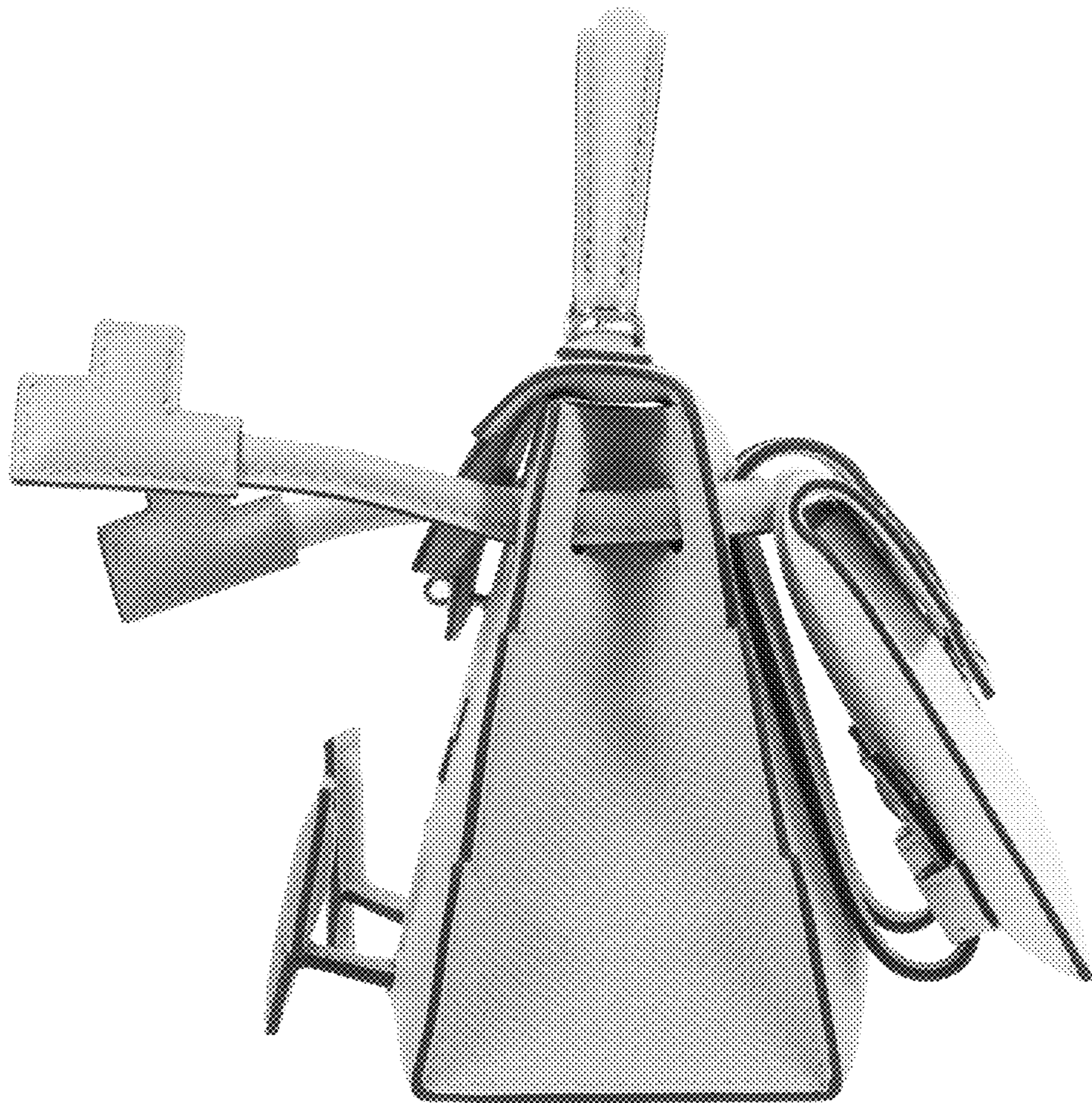




1.3

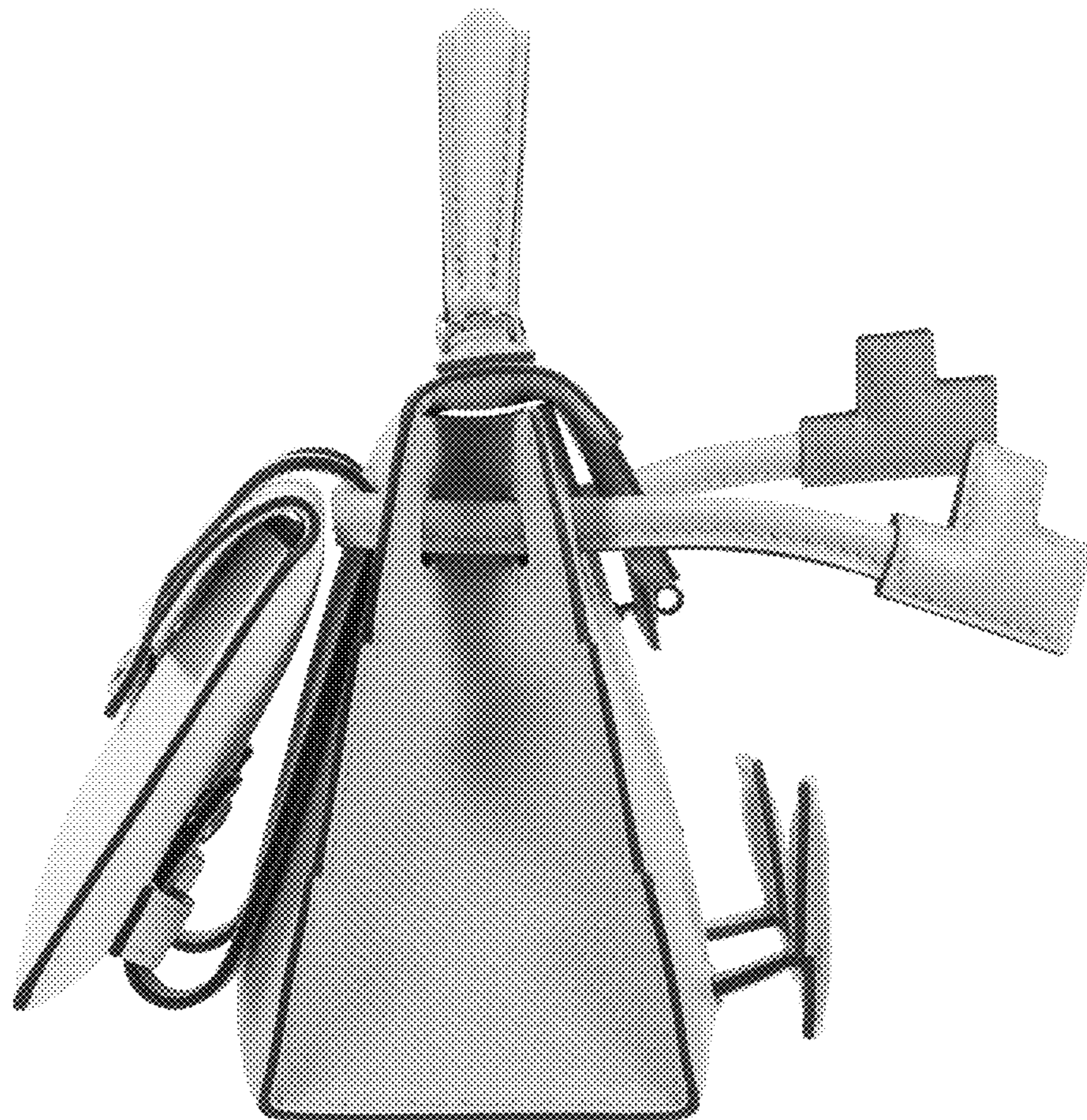


1.4





1.5

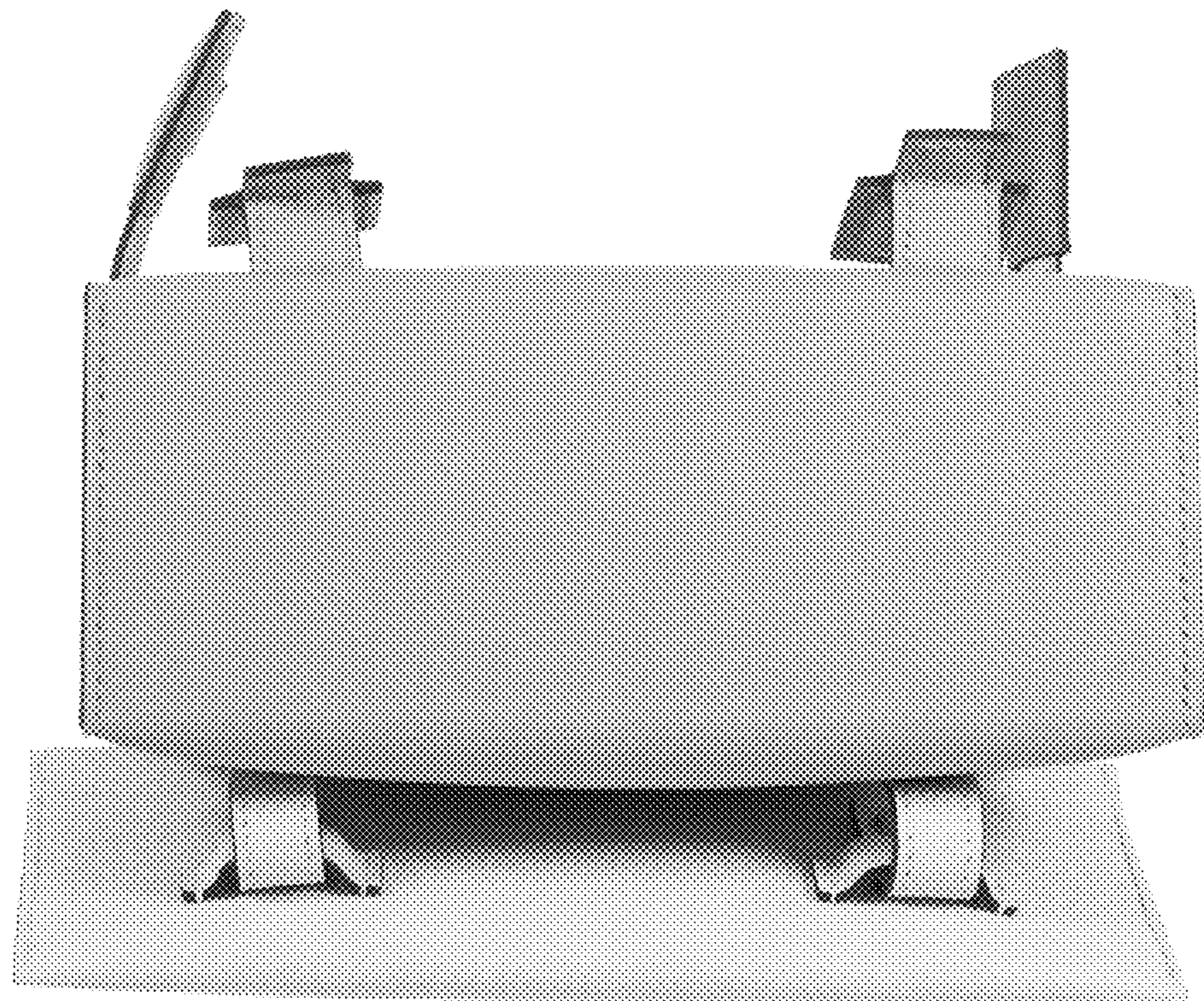


1.6





1.7





1.8





1.9





1.10





1.11



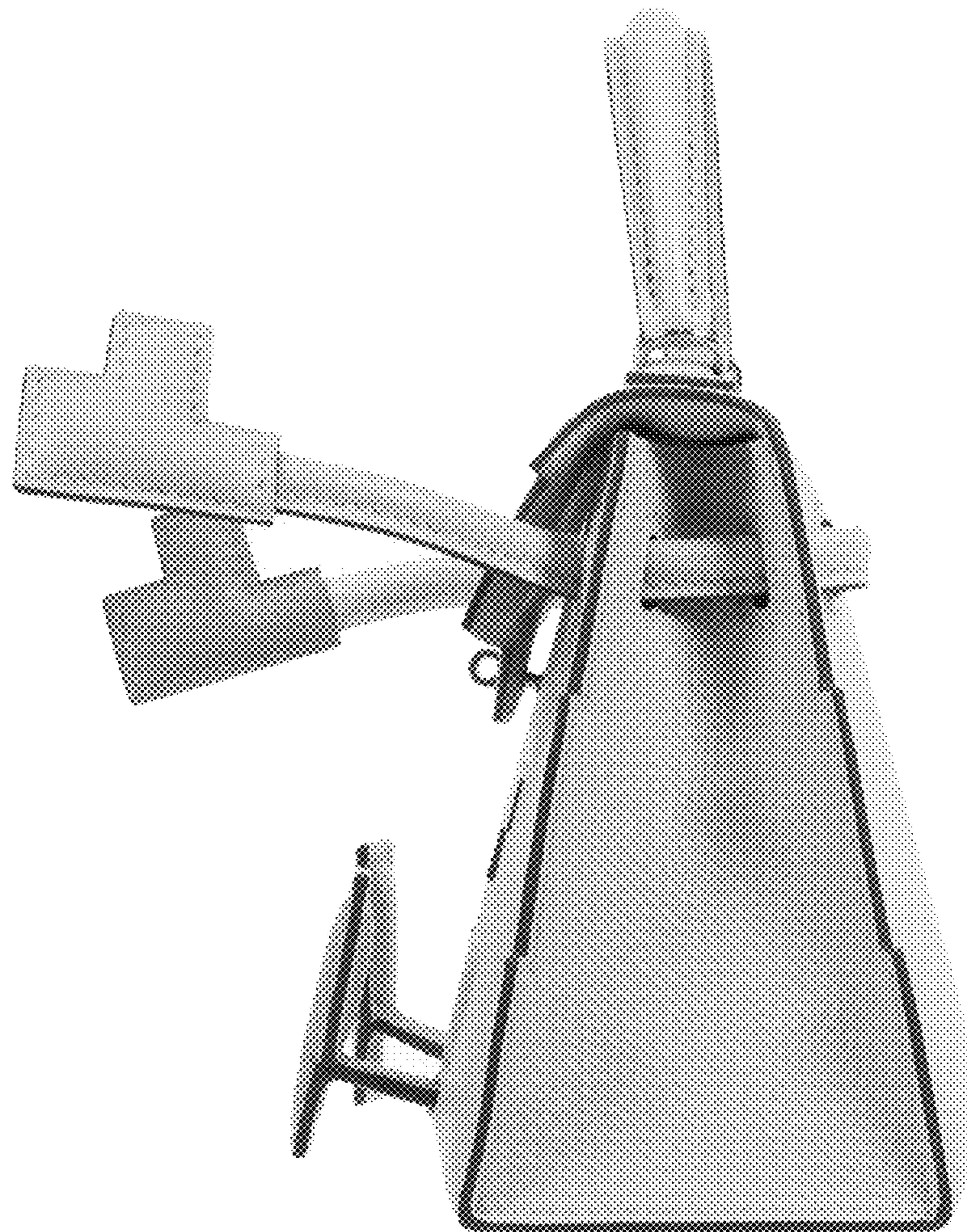


1.12

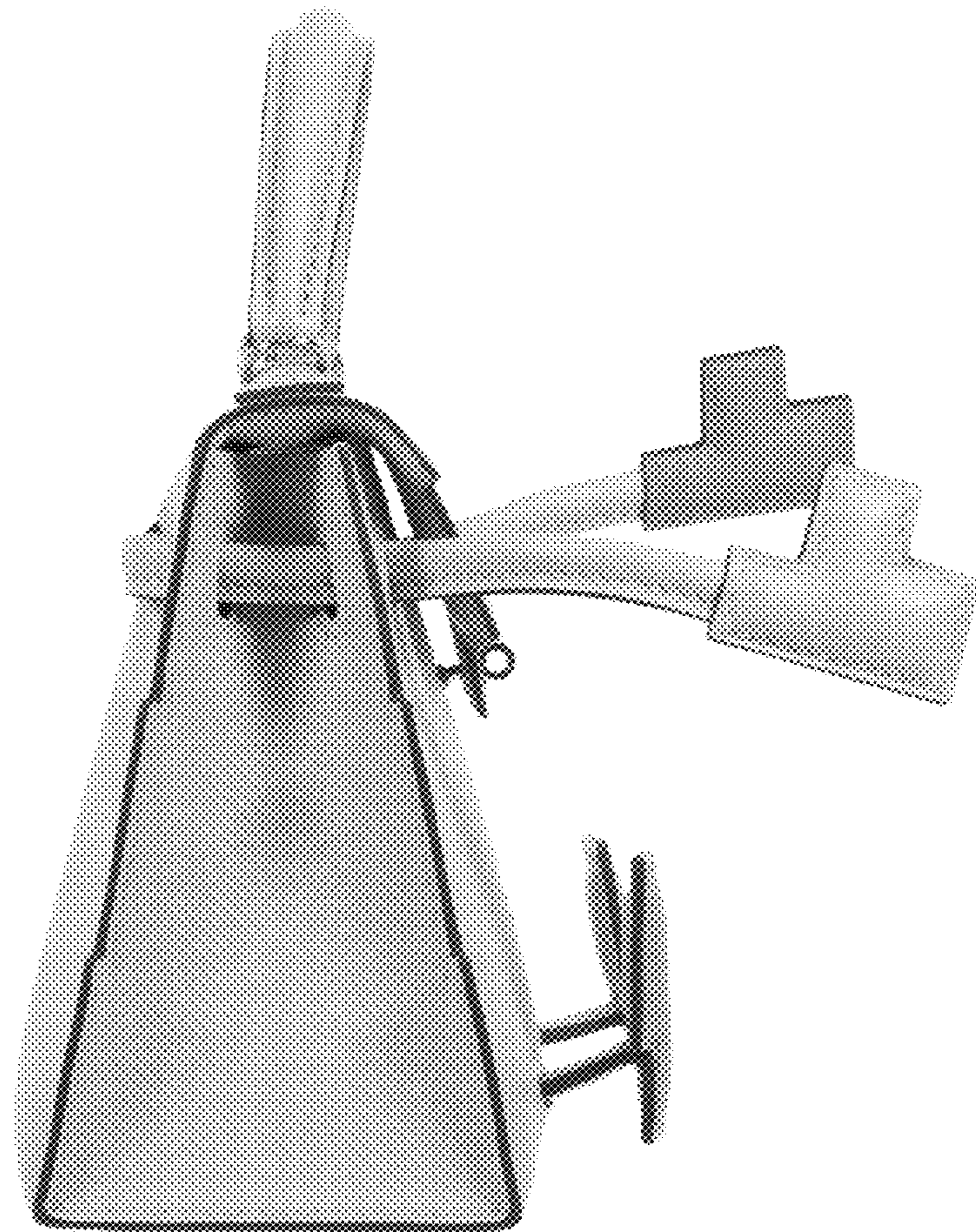




1.13

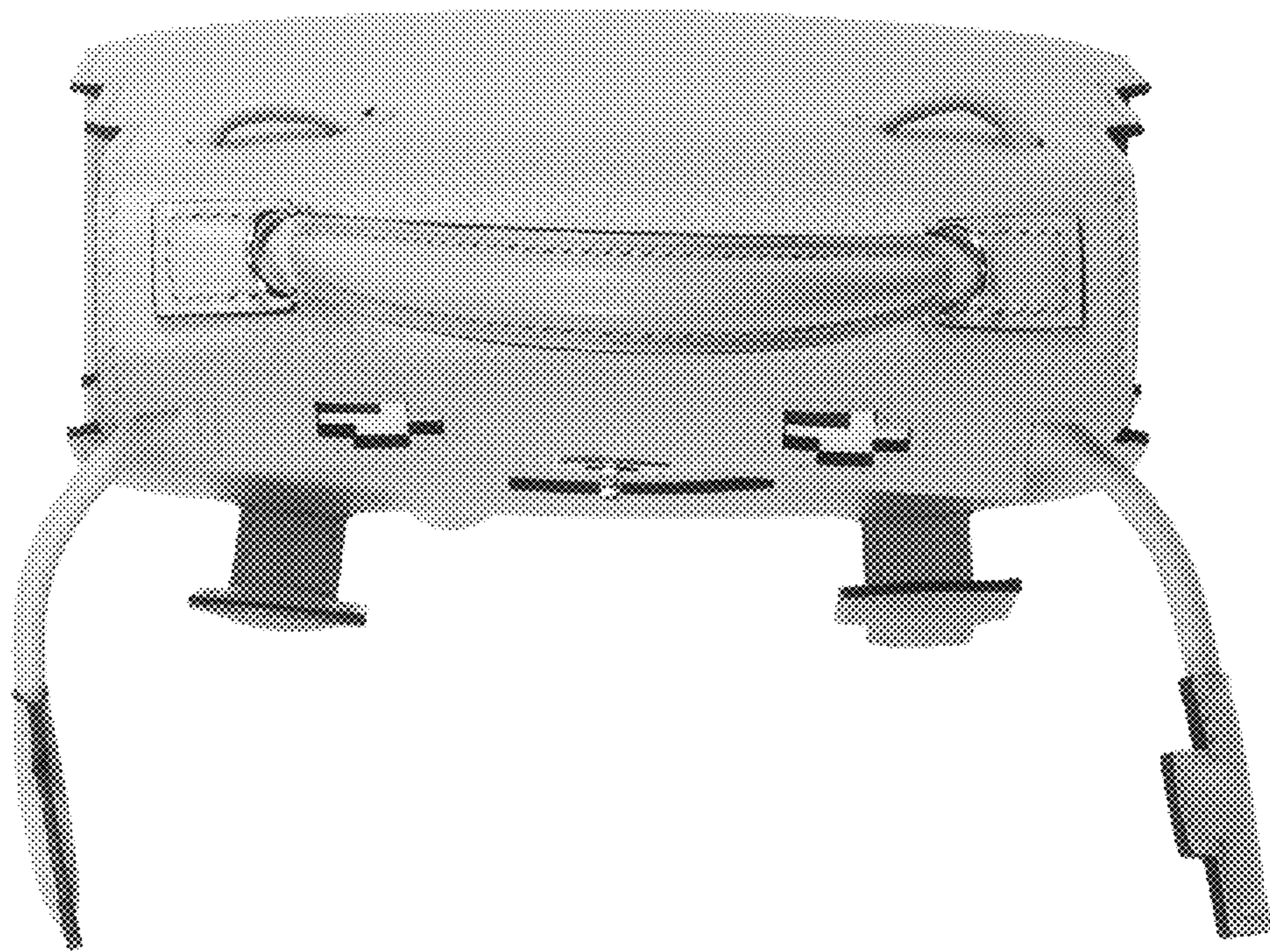


1.14

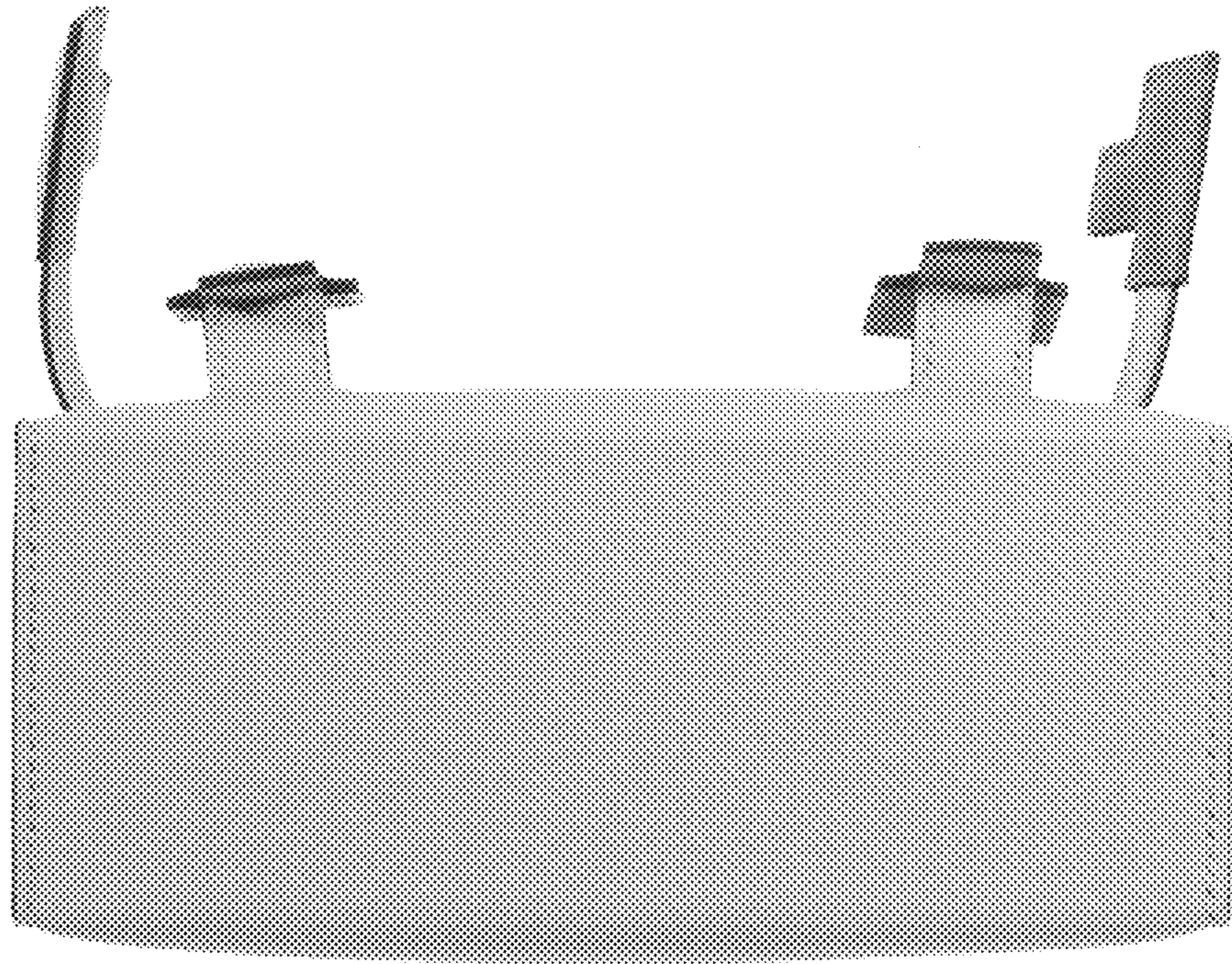




1.15



1.16





1.17

