



US0D1010954S

(12) **United States Design Patent** (10) **Patent No.:** **US D1,010,954 S**
Yu (45) **Date of Patent:** **** Jan. 9, 2024**

(54) **DOG TRAINER**

(71) Applicant: **Shaojia Yu**, Guangdong (CN)

(72) Inventor: **Shaojia Yu**, Guangdong (CN)

(73) Assignee: **SHENZHEN DIAI INTELLIGENCE TECHNOLOGY CO., LTD**, Shenzhen (CN)

(**) Term: **15 Years**

(21) Appl. No.: **29/822,607**

(22) Filed: **Jan. 11, 2022**

(30) **Foreign Application Priority Data**

Aug. 31, 2021 (CN) 202130571876.2

(51) **LOC (14) Cl.** **30-99**

(52) **U.S. Cl.**
USPC **D30/199; D10/104.1**

(58) **Field of Classification Search**

USPC D30/151-155, 144, 199, 160;
119/792-798, 850, 855-859, 863-865,
119/654, 905, 907, 815, 712, 802, 784,
119/769, 760, 776, 862, 908, 860,
119/719-721; 242/381.1-381.2, 385.4,
242/378.3, 376.1, 385.1, 916, 601, 570,
242/405, 404, 371, 223, 170, 388.1,
242/405.2, 377, 381.3, 381.6, 405.3,
242/388.6, 384.7, 382, 396.1, 404.1, 380;
362/108; 33/767, 769, 414; D12/400;
D3/229, 230, 207, 208, 215; 40/1.5, 455,
40/640, 303; 206/63.3, 459.5, 702, 408;
D6/515; D8/358, 360, 347, 360.1, 359,
D8/356, DIG. 1; D24/145, 167, 186, 146,
D24/169; D10/57, 72, 106.1, 104.1,
(Continued)

(56) **References Cited**

U.S. PATENT DOCUMENTS

D811,016 S * 2/2018 Liu D30/152
D813,473 S * 3/2018 Ni D10/104.1

(Continued)

Primary Examiner — Susan Moon Lee

(74) *Attorney, Agent, or Firm* — Georgi Korobanov

(57) **CLAIM**

The ornamental design for a dog trainer, as shown and described.

DESCRIPTION

FIG. 1 is a front, top, right side perspective view of a transmitter, of the dog trainer, shown separately for ease of illustration;

FIG. 2 is a rear, bottom, left side perspective view thereof;

FIG. 3 is a front elevation view thereof;

FIG. 4 is a rear elevation view thereof;

FIG. 5 is a left side elevation view thereof;

FIG. 6 is a right side elevation view thereof;

FIG. 7 is an enlarged top plan view thereof;

FIG. 8 is an enlarged bottom plan view thereof;

FIG. 9 is a front, top, left side perspective view of a receiver, of the dog trainer, shown separately for ease of illustration;

FIG. 10 is a rear, bottom, right side perspective view thereof;

FIG. 11 is a front elevation view thereof;

FIG. 12 is a rear elevation view thereof;

FIG. 13 is an enlarged left side elevation view thereof;

FIG. 14 is an enlarged right side elevation view thereof;

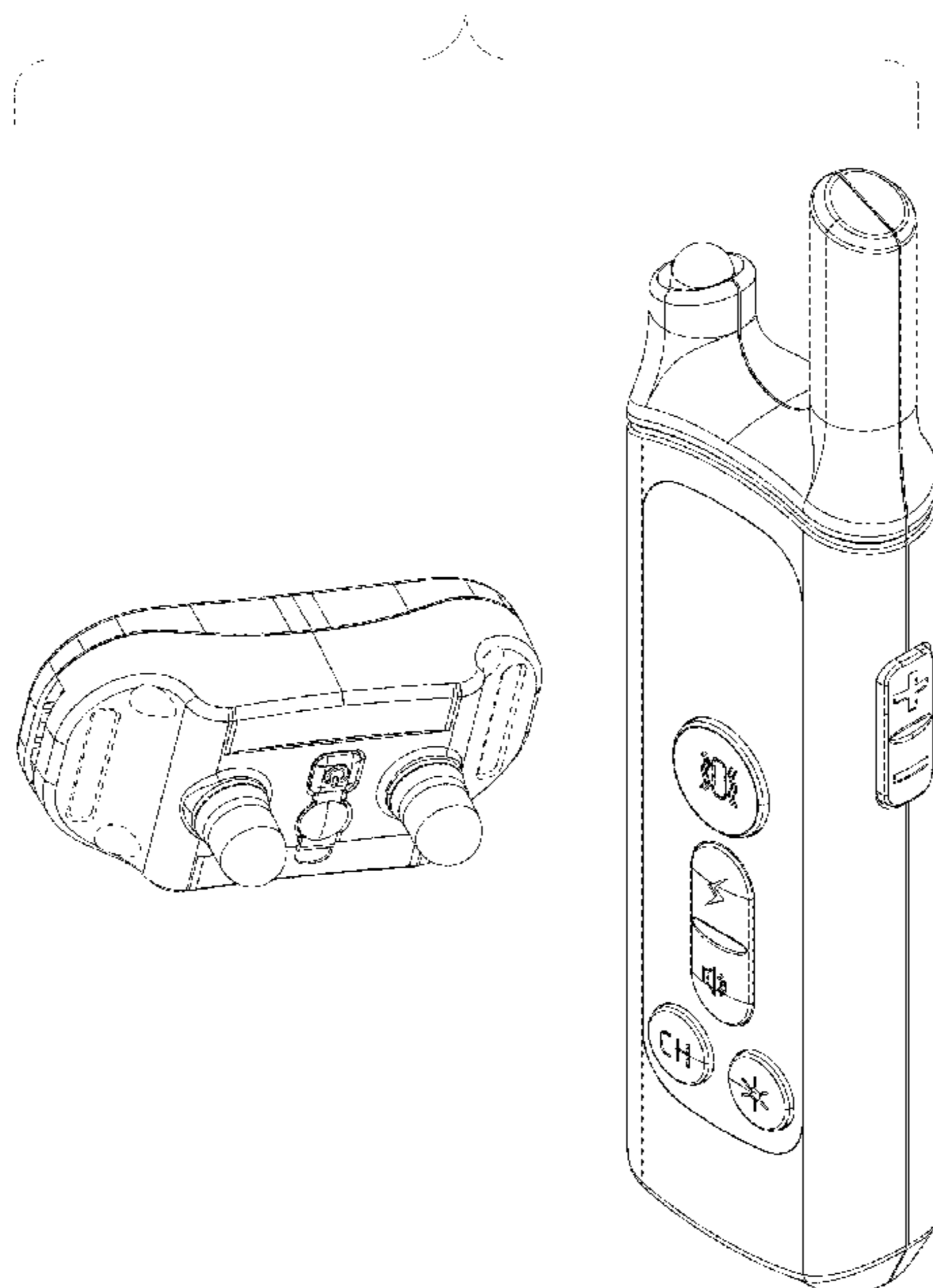
FIG. 15 is a top plan view thereof;

FIG. 16 is a bottom plan view thereof; and,

FIG. 17 is a perspective view of transmitter and receiver of the dog trainer.

The broken lines in the drawings illustrate portions of the dog trainer that form no part of the claimed design.

1 Claim, 16 Drawing Sheets



(58) **Field of Classification Search**

USPC D10/104.2, 109.2, 70, 97, 98, 78, 65;
 D20/28; 224/666, 678; 16/445; 283/74,
 283/70; D11/232, 200, 216, 1, 2, 86, 87,
 D11/201, 206–210, 212–215, 218;
 24/163 K, 122.3, 323, 702, 600.4–600.7,
 24/163 R, 169–171, 173, 177–179, 191,
 24/194, 195, 197, 200, 303, 616, 635,
 24/313, 615, 3, 6, 3 K, 599.2, 96, 221,
 24/237, 311, 312, 314, 321, 338, 339,
 24/309; 428/3, 4; 54/76, 1, 71; 63/29.1,
 63/3; 191/12.2 R, 12.4; D13/154, 153,
 D13/137.4, 155, 103, 168; D19/69, 67;
 379/438; 446/26; 473/576; D22/140;
 174/135; 439/504, 13, 501; D34/33;
 188/83, 82.1, 65.1; 254/134.3 FT;
 D29/124; D2/627, 624, 633, 625;
 132/145, 146, 148; 2/314; 59/79.1;
 340/573.3, 573.1, 573, 573.4,
 340/539.13–539.19; 343/895;
 278/8 AES; 231/7; 361/232; D14/344,
 D14/341, 137, 155, 496, 203.5, 203.3,
 D14/144, 218, 188, 216, 192;
 342/357.51, 357.57, 357.52, 357.55;
 455/100, 352, 456.1, 550.1; 315/291
 CPC A01K 15/021; A01K 15/02; A01K 15/022;
 A01K 15/023; A01K 15/029; A01K
 15/04; A01K 15/00; A01K 15/006; A01K
 12/022; A01K 27/009; A01K 27/00;
 A01K 27/001; A01K 27/006–008; A01K
 29/005; A01K 29/00; A61B 5/0002–0028;

A61B 5/681; A61B 5/6822; A61B
 5/6824; A61B 5/6829; G01S 5/0294
 See application file for complete search history.

(56)

References Cited

U.S. PATENT DOCUMENTS

D817,557 S * 5/2018 Liu D30/152
 D822,921 S * 7/2018 Wen D30/199
 D836,261 S * 12/2018 Ni D10/104.1
 D861,259 S * 9/2019 Dong D30/152
 D898,308 S * 10/2020 Yang D10/104.1
 10,893,662 B1 * 1/2021 Landers A01K 15/023
 D926,396 S * 7/2021 Jia D10/104.1
 D938,668 S * 12/2021 Jia D10/104.1
 D938,669 S * 12/2021 Jia D10/104.1
 D946,218 S * 3/2022 Xiao D10/104.1
 D952,967 S * 5/2022 Li D10/104.1
 D961,864 S * 8/2022 Mo D10/104.1
 D966,633 S * 10/2022 Jia D10/104.1
 D967,567 S * 10/2022 Wei D10/104.1
 D968,728 S * 11/2022 Ye D10/104.1
 D971,528 S * 11/2022 Wen D10/104.1
 D973,979 S * 12/2022 Zhong D30/152
 D975,385 S * 1/2023 Wang D10/104.1
 D977,766 S * 2/2023 Jia D10/104.1
 D980,552 S * 3/2023 Jia D10/104.1
 D983,468 S * 4/2023 Zhu D10/104.1
 D984,070 S * 4/2023 Yang D10/104.1
 D984,071 S * 4/2023 Wang D10/104.1
 D985,865 S * 5/2023 Miao D10/104.1
 D986,512 S * 5/2023 Douglas D10/104.1
 D987,915 S * 5/2023 Luo D10/104.1
 2020/0015456 A1 * 1/2020 Van Curen A01K 15/022
 2021/0289748 A1 * 9/2021 Ma A01K 15/021
 2022/0053736 A1 * 2/2022 Xiao A01K 15/021

* cited by examiner

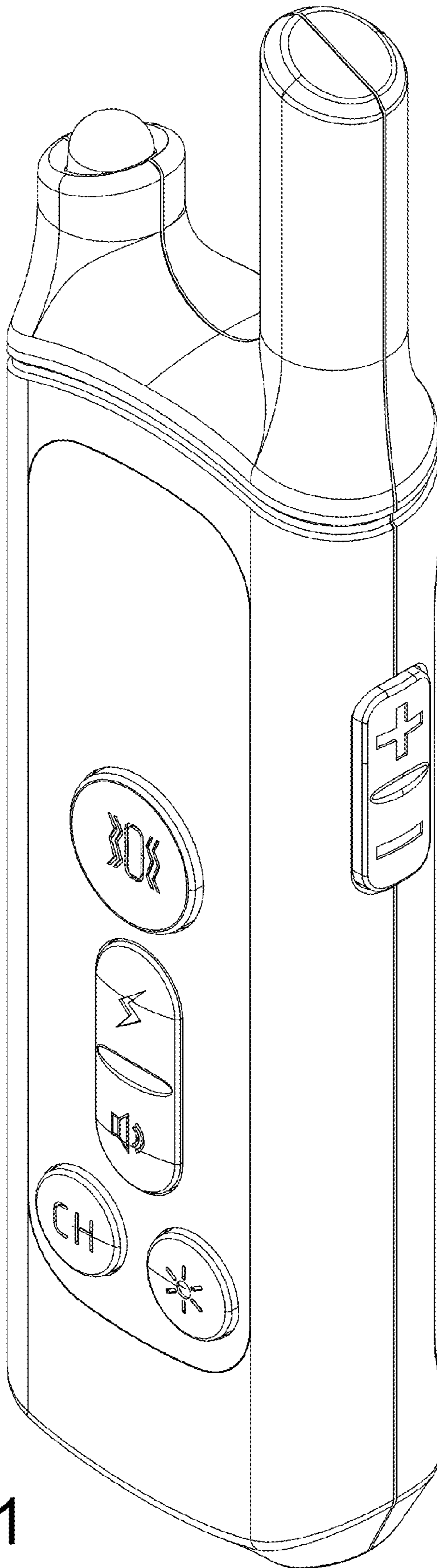


FIG. 1

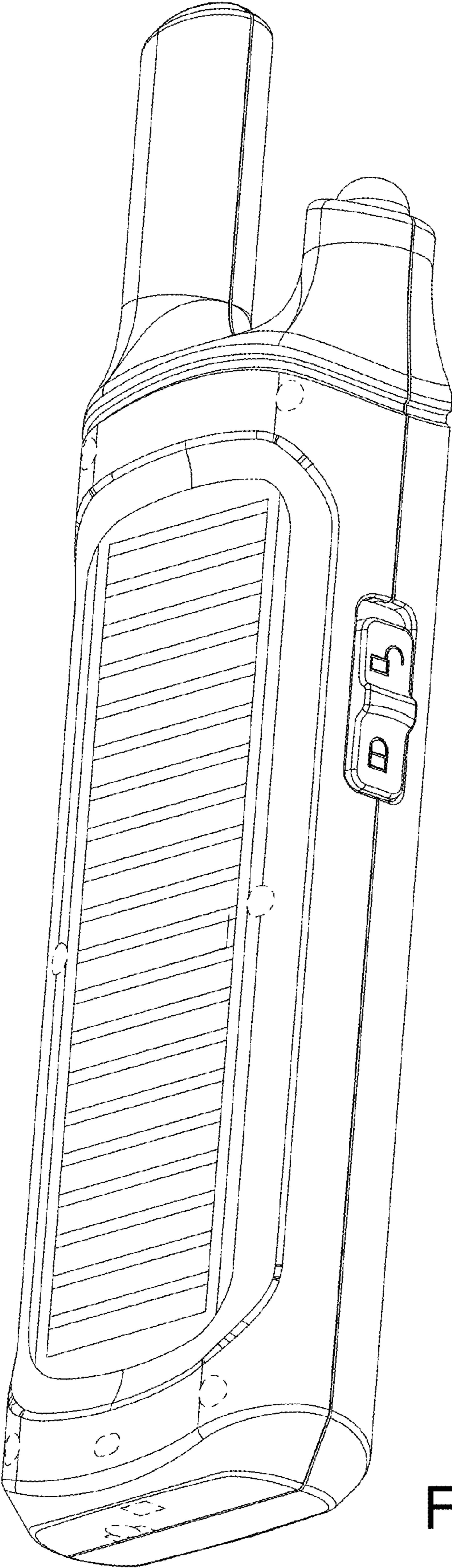


FIG.2

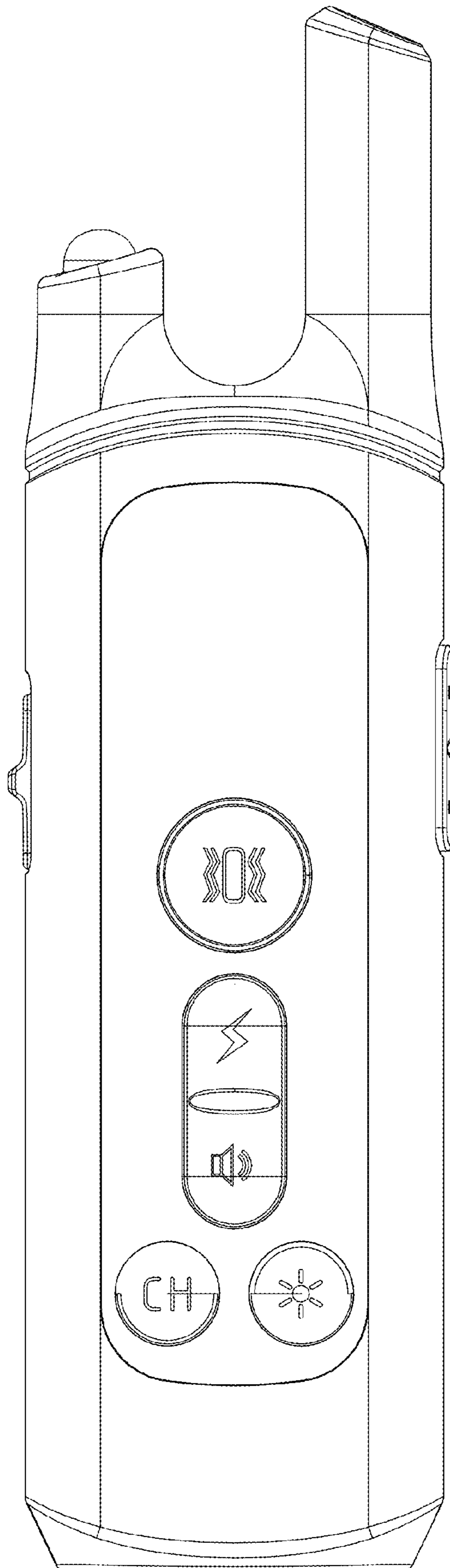


FIG.3

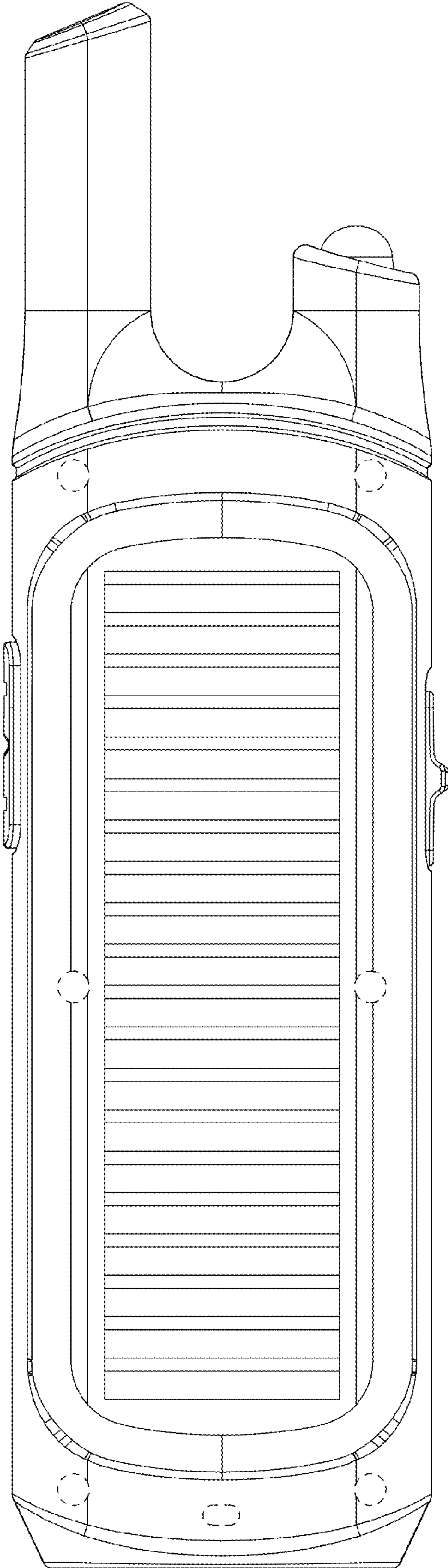


FIG.4

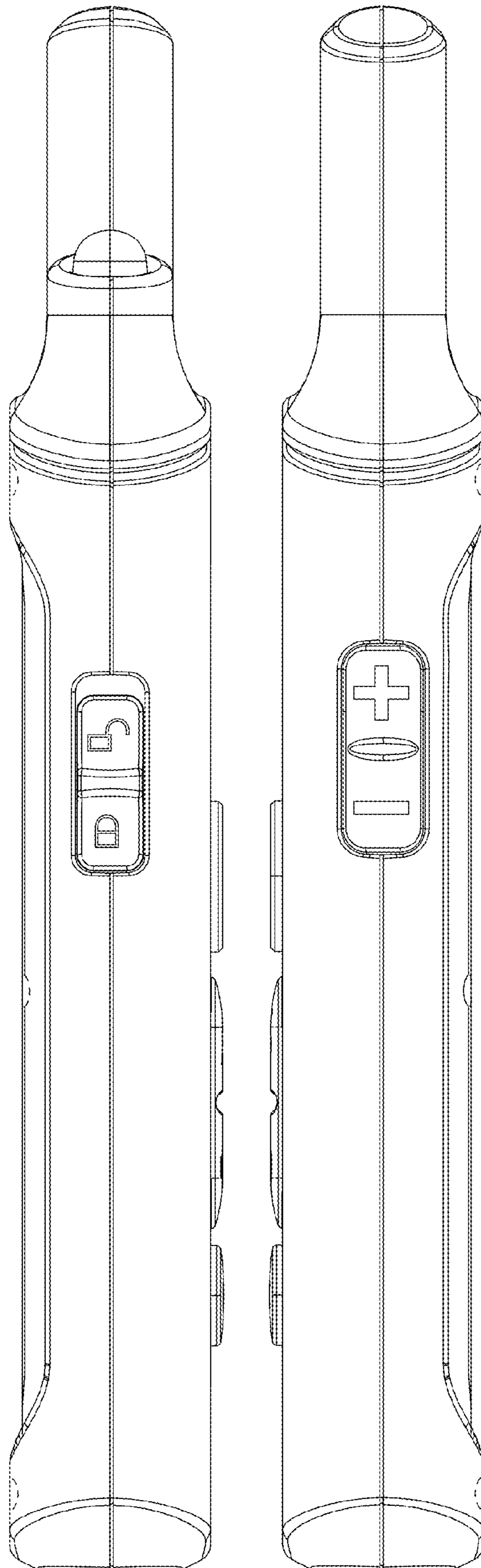


FIG.5

FIG.6

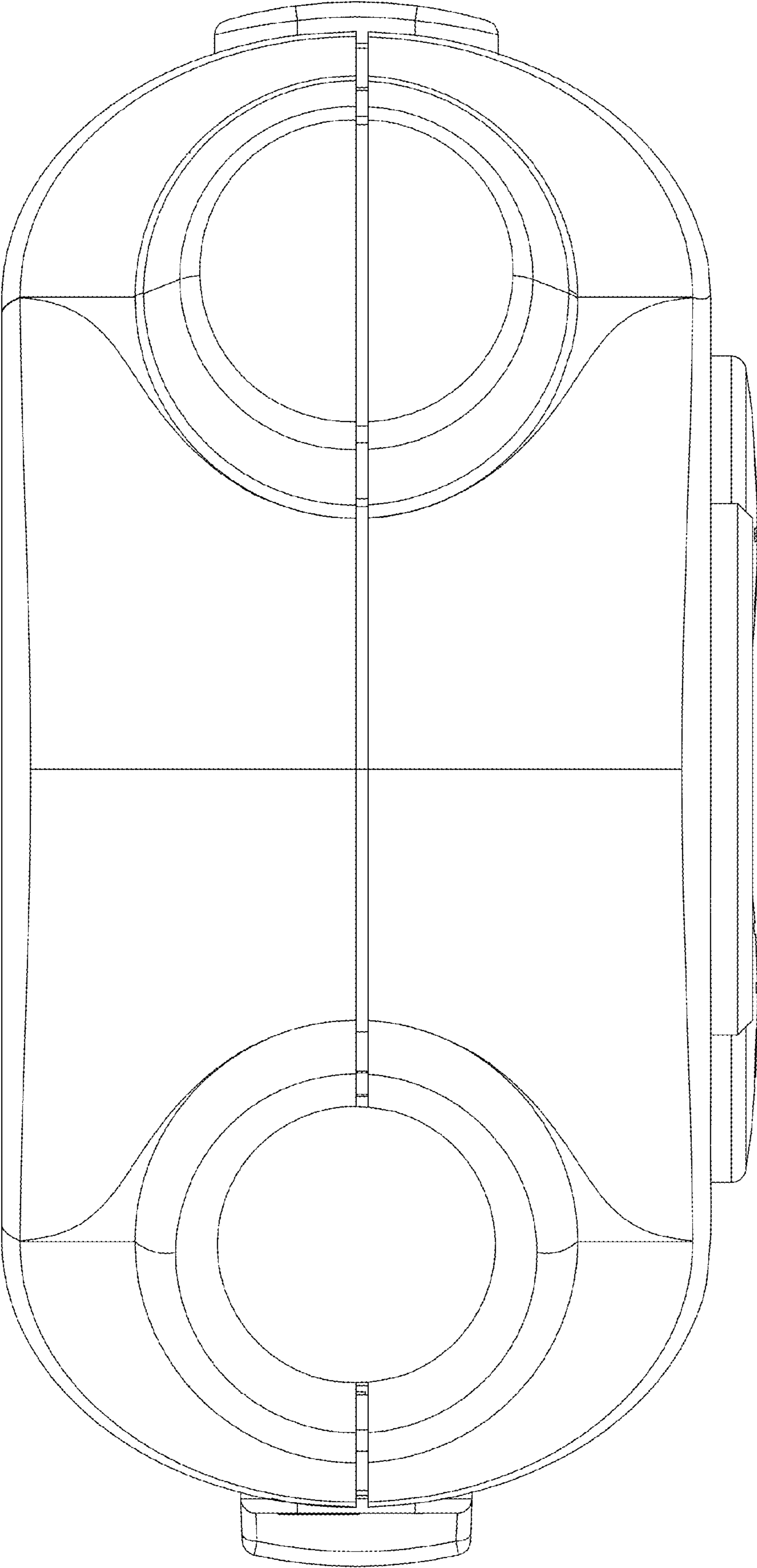


FIG.7

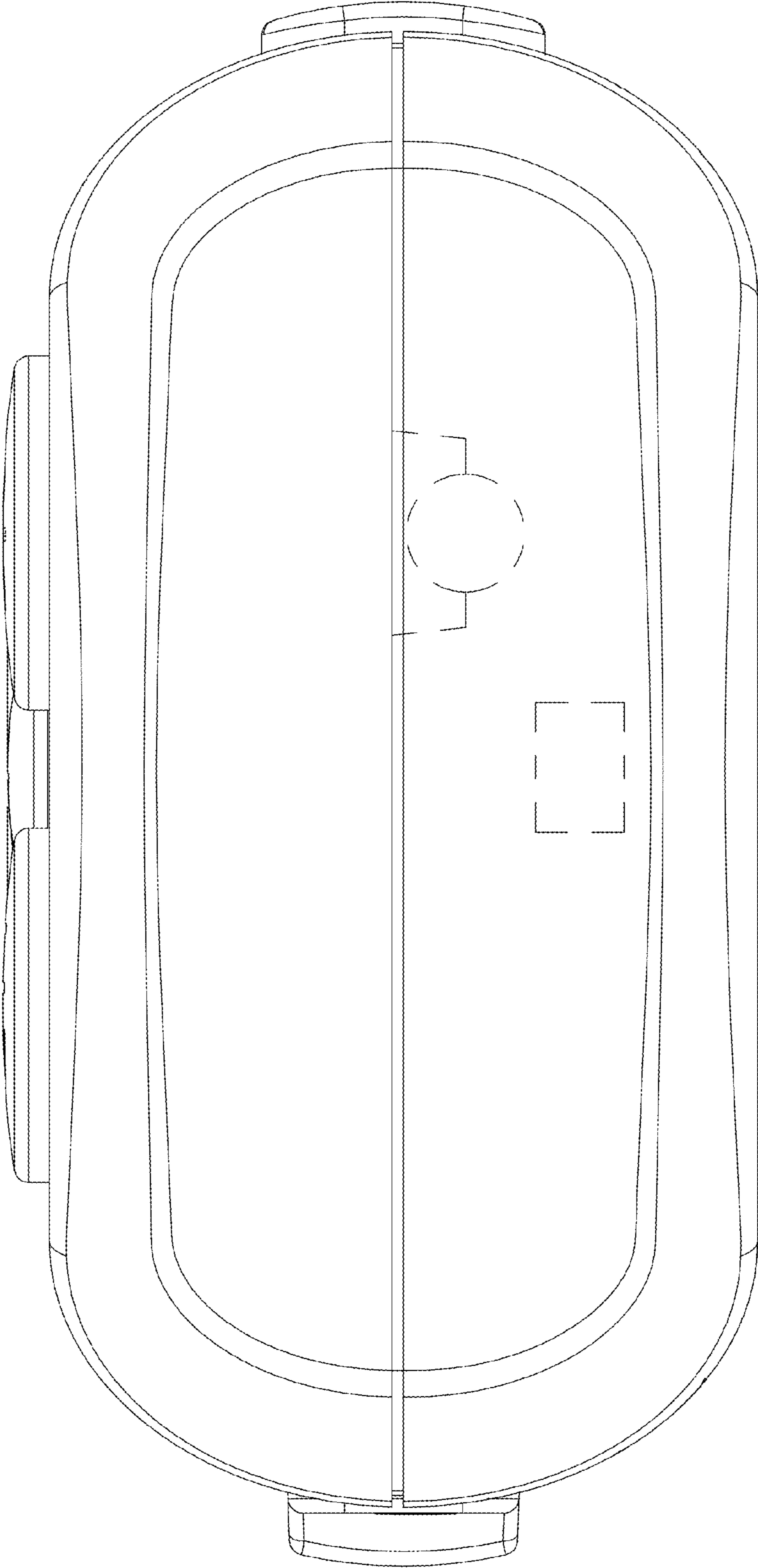


FIG.8

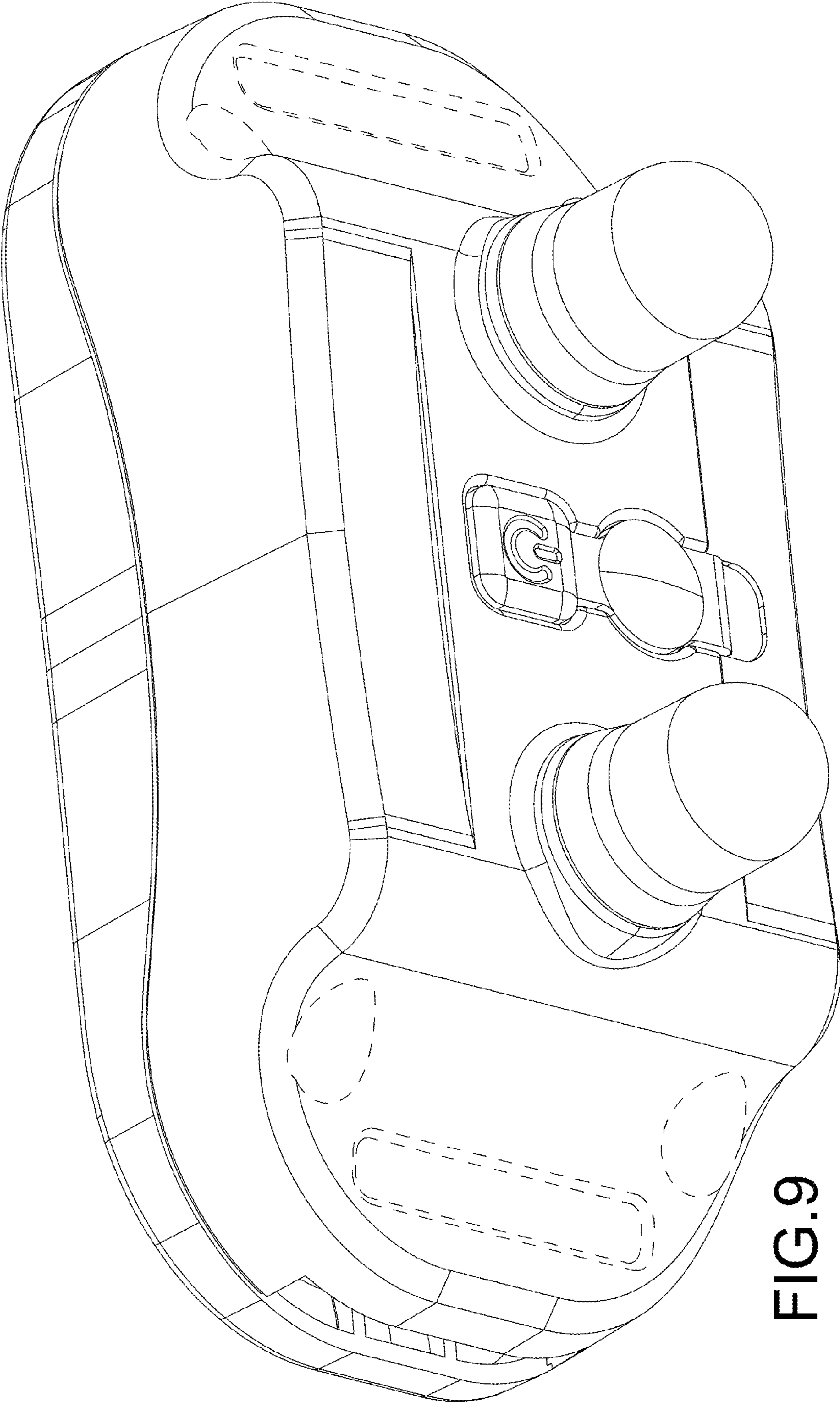


FIG.9

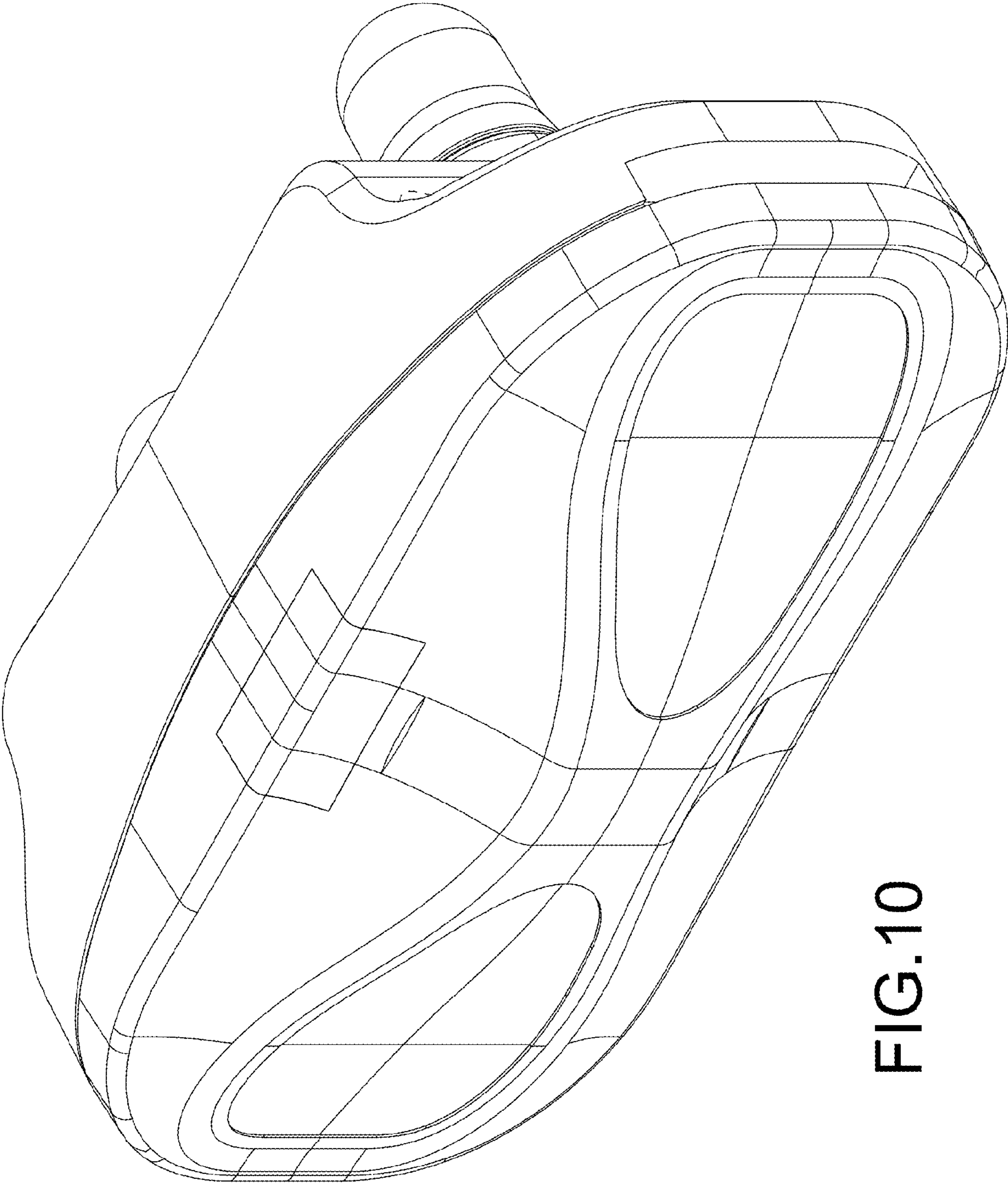


FIG.10

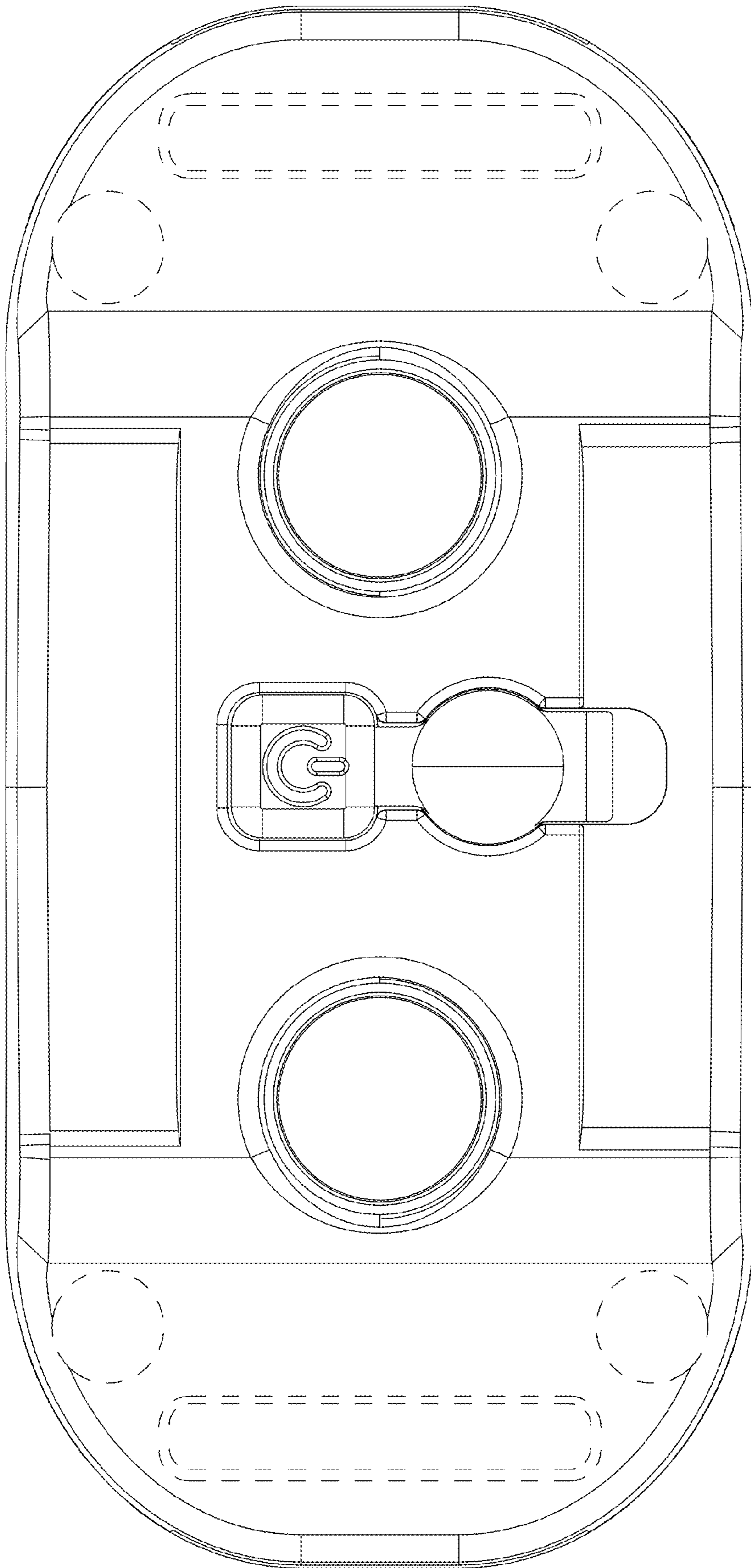


FIG.11

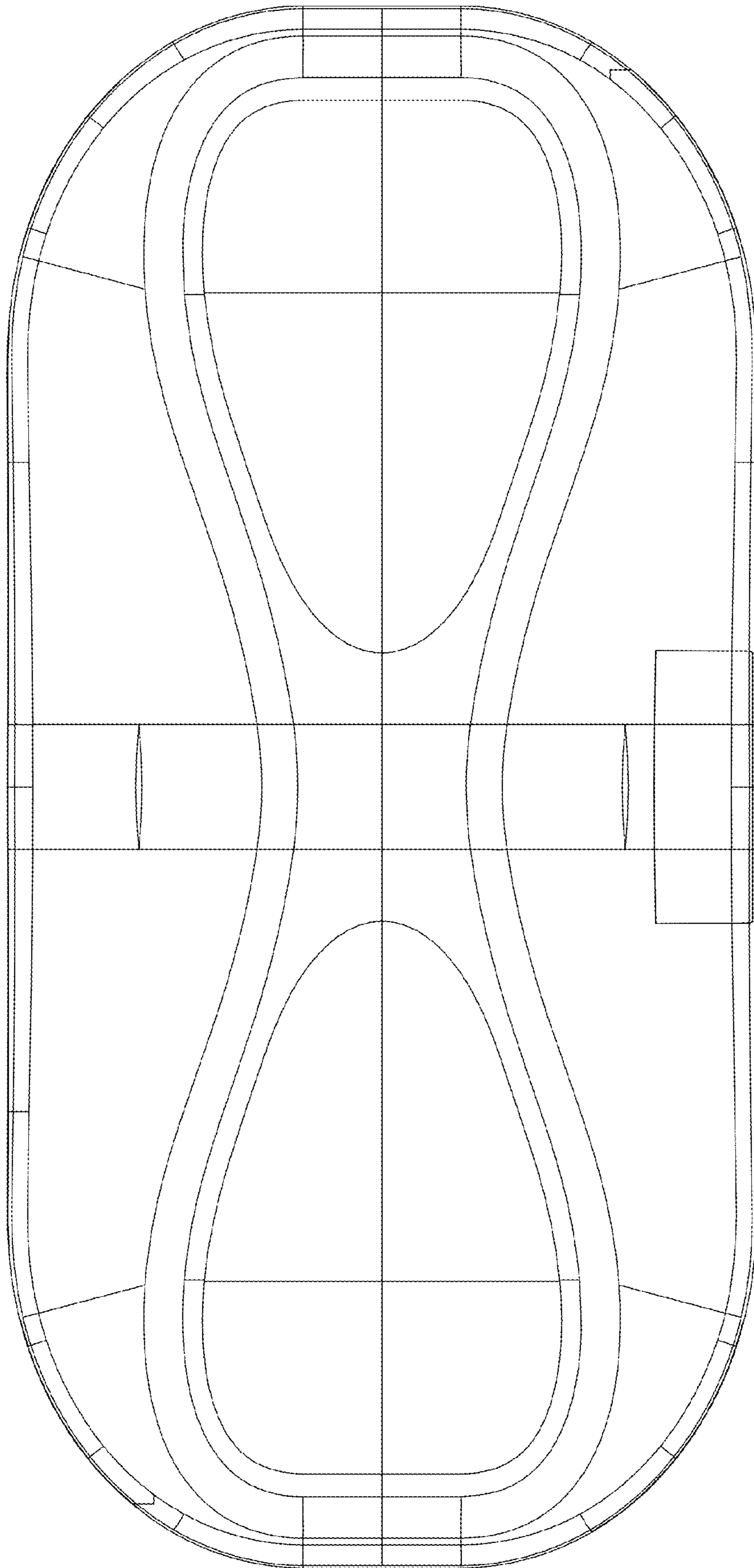


FIG.12

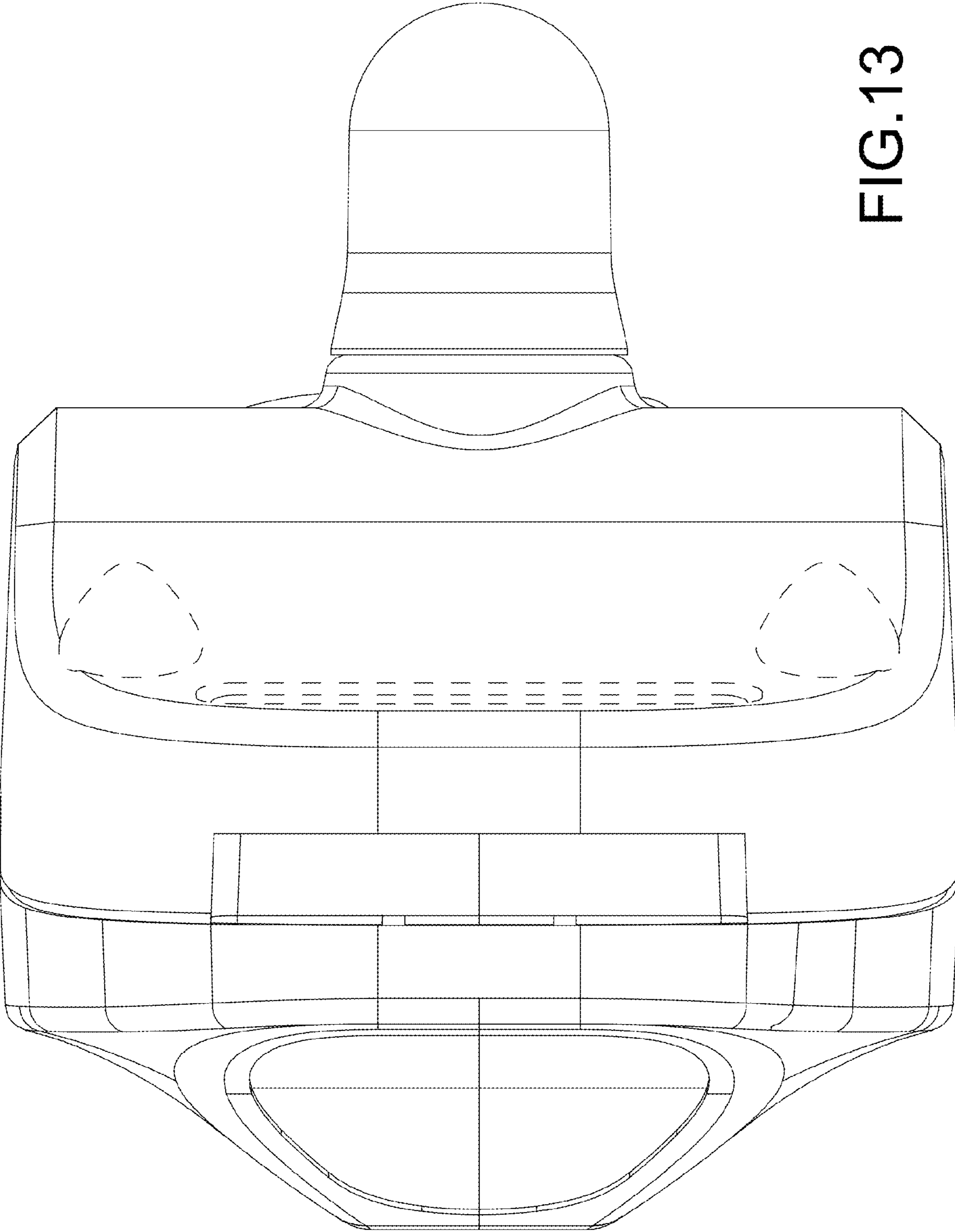


FIG. 13

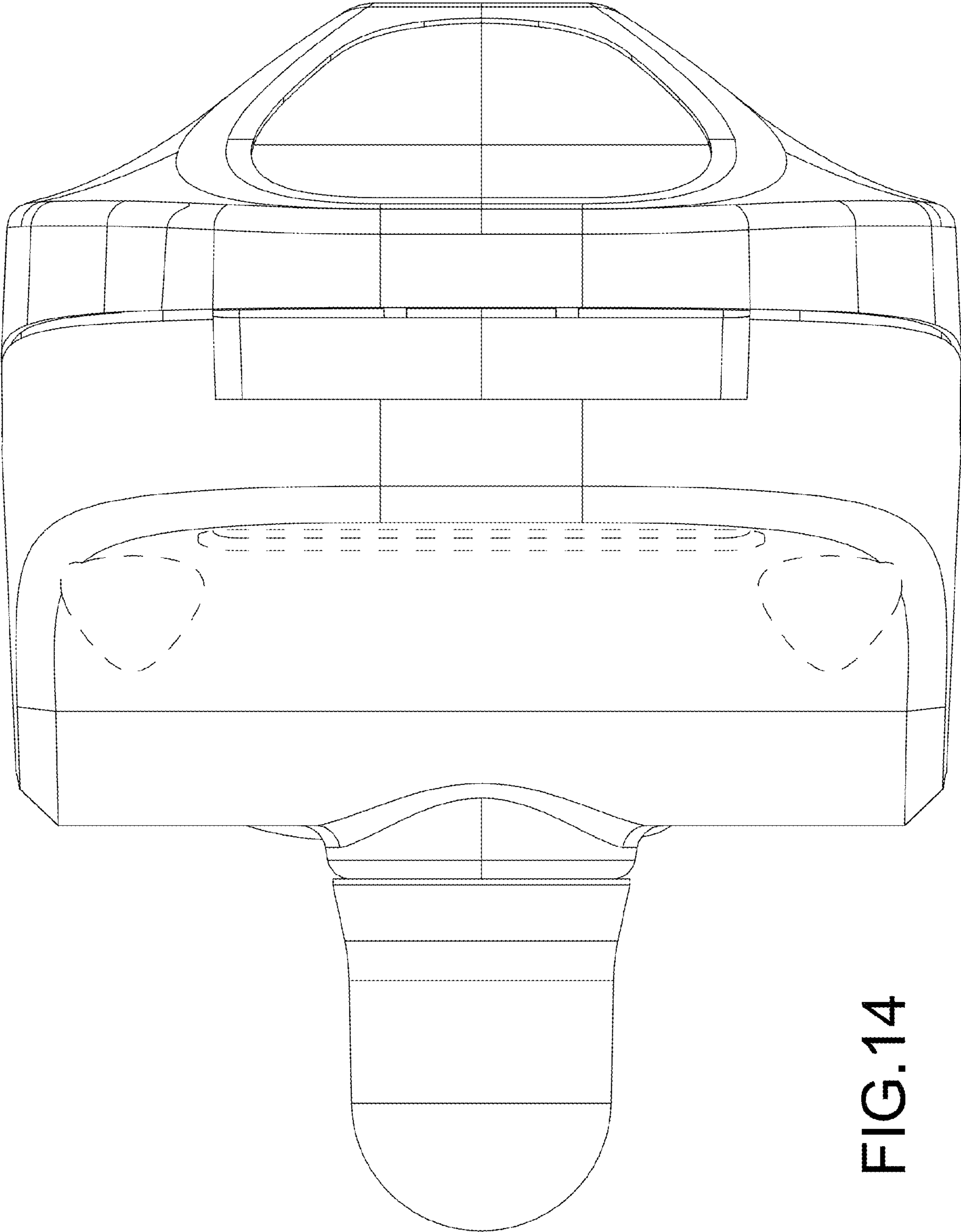


FIG.14

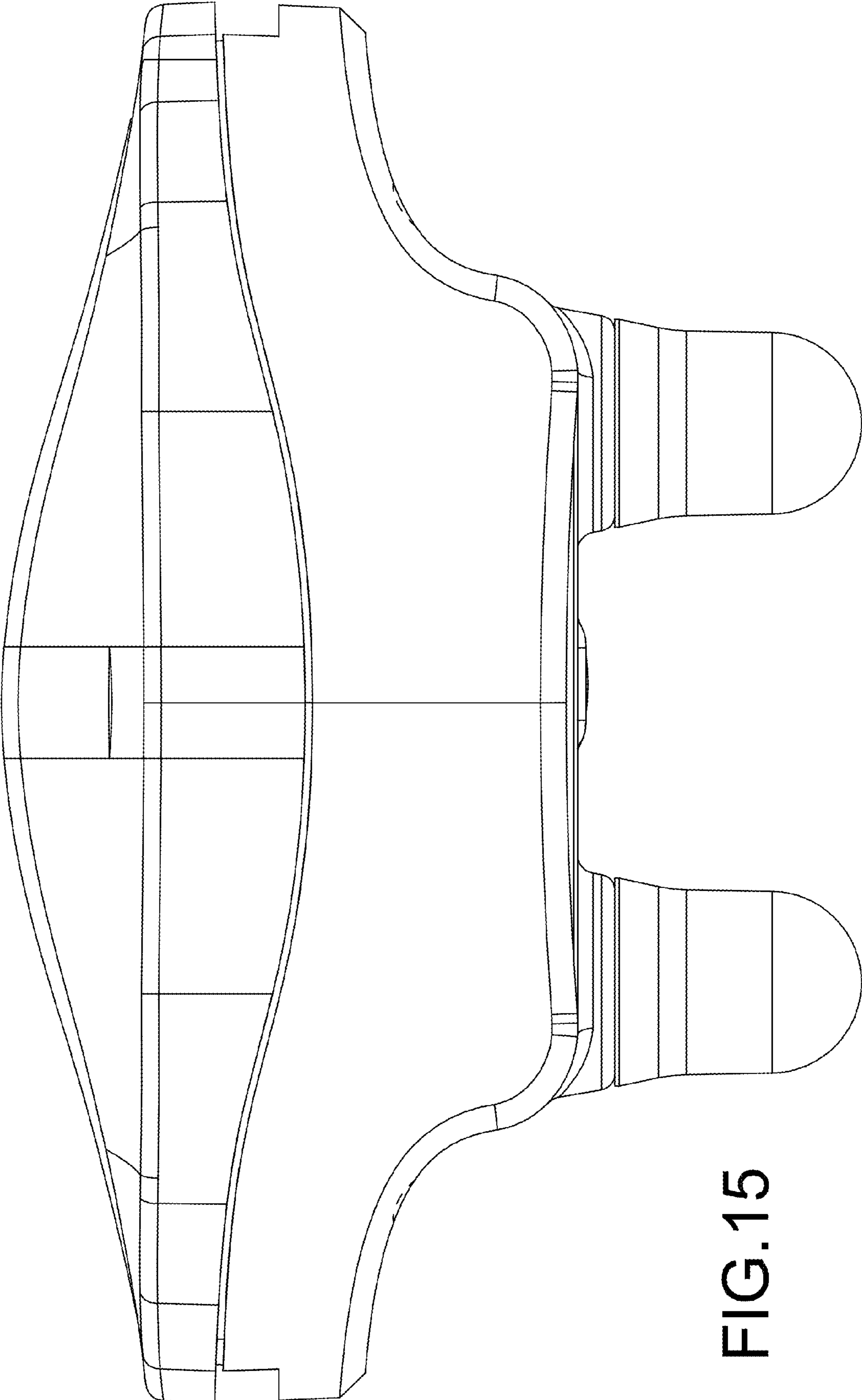


FIG.15

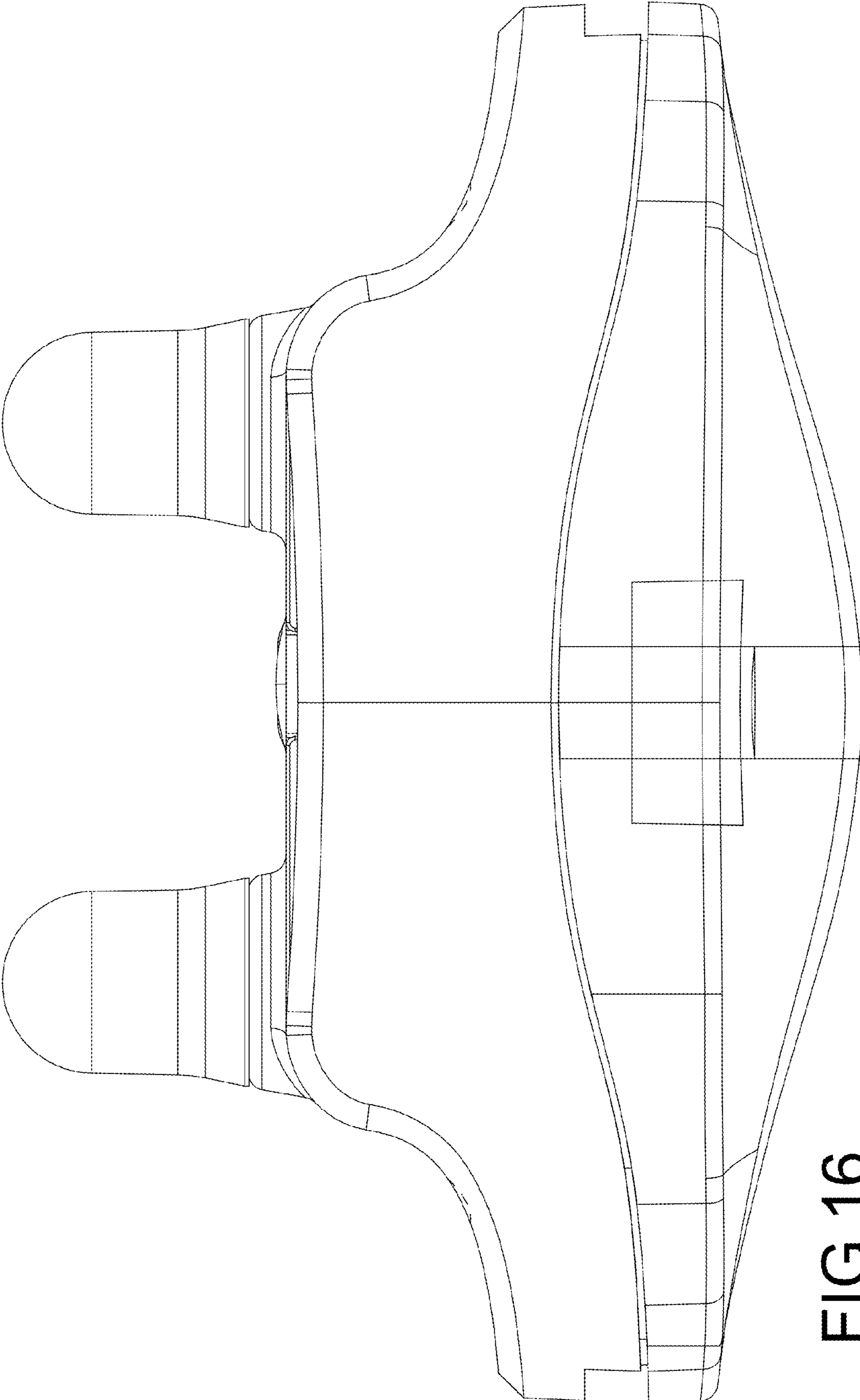


FIG.16

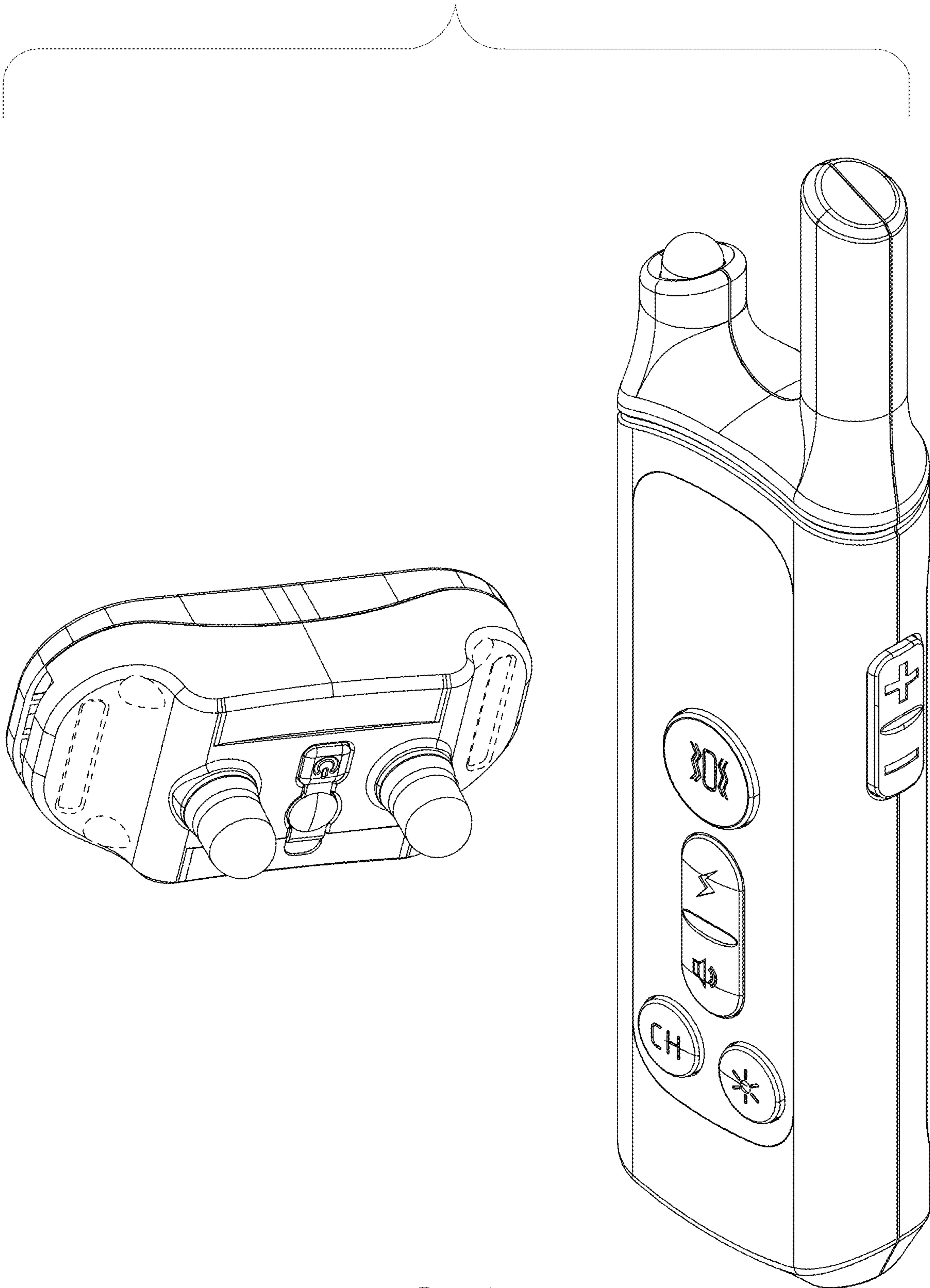


FIG.17