

US0D1010953S

(12) **United States Design Patent** (10) **Patent No.:** **US D1,010,953 S**
Yu (45) **Date of Patent:** **** Jan. 9, 2024**

(54) **DOG TRAINER**

(71) Applicant: **Shaojia Yu**, Guangdong (CN)

(72) Inventor: **Shaojia Yu**, Guangdong (CN)

(73) Assignee: **SHENZHEN DIAI INTELLIGENCE TECHNOLOGY CO., LTD**, Shenzhen (CN)

(**) Term: **15 Years**

(21) Appl. No.: **29/821,824**

(22) Filed: **Jan. 3, 2022**

(30) **Foreign Application Priority Data**

Aug. 31, 2021 (CN) 202130571397.0

(51) **LOC (14) Cl.** **30-99**

(52) **U.S. Cl.**
USPC **D30/199; D10/104.1**

(58) **Field of Classification Search**

USPC D30/151-155, 144, 199, 160;
119/792-798, 850, 855-859, 863-865,
119/654, 905, 907, 815, 712, 802, 784,
119/769, 760, 776, 862, 908, 860,
119/719-721; 242/381.1-381.2, 385.4,
242/378.3, 376.1, 385.1, 916, 601, 570,
242/405, 404, 371, 223, 170, 388.1,
242/405.2, 377, 381.3, 381.6, 405.3,
242/388.6, 384.7, 382, 396.1, 404.1, 380;
362/108; 33/767, 769, 414; D12/400;
D3/229, 230, 207, 208, 215; 40/1.5, 455,
40/640, 303; 206/63.3, 459.5, 702, 408;
D6/515; D8/358, 360, 347, 360.1, 359,
D8/356, DIG. 1; D24/145, 167, 186, 146,
D24/169; D10/57, 72, 106.1, 104.1,

(Continued)

(56) **References Cited**

U.S. PATENT DOCUMENTS

D576,127 S * 9/2008 Tran D14/137
D576,128 S * 9/2008 Tran D14/137

(Continued)

Primary Examiner — Susan Moon Lee

(74) *Attorney, Agent, or Firm* — Georgi Korobanov

(57) **CLAIM**

The ornamental design for a dog trainer, as shown and described.

DESCRIPTION

FIG. 1 is a front, top, right side perspective view of a transmitter, of the dog trainer, shown separately for ease of illustration;

FIG. 2 is a rear, bottom, left side perspective view thereof;

FIG. 3 is a front elevation view thereof;

FIG. 4 is a rear elevation view thereof;

FIG. 5 is a left side elevation view thereof;

FIG. 6 is a right side elevation view thereof;

FIG. 7 is an enlarged top plan view thereof;

FIG. 8 is an enlarged bottom plan view thereof;

FIG. 9 is a front, top, right side perspective view of a receiver, of the dog trainer, shown separately for ease of illustration;

FIG. 10 is a rear, bottom, left side perspective view thereof;

FIG. 11 is an enlarged front elevation view thereof;

FIG. 12 is an enlarged rear elevation view thereof;

FIG. 13 is an enlarged left side elevation view thereof;

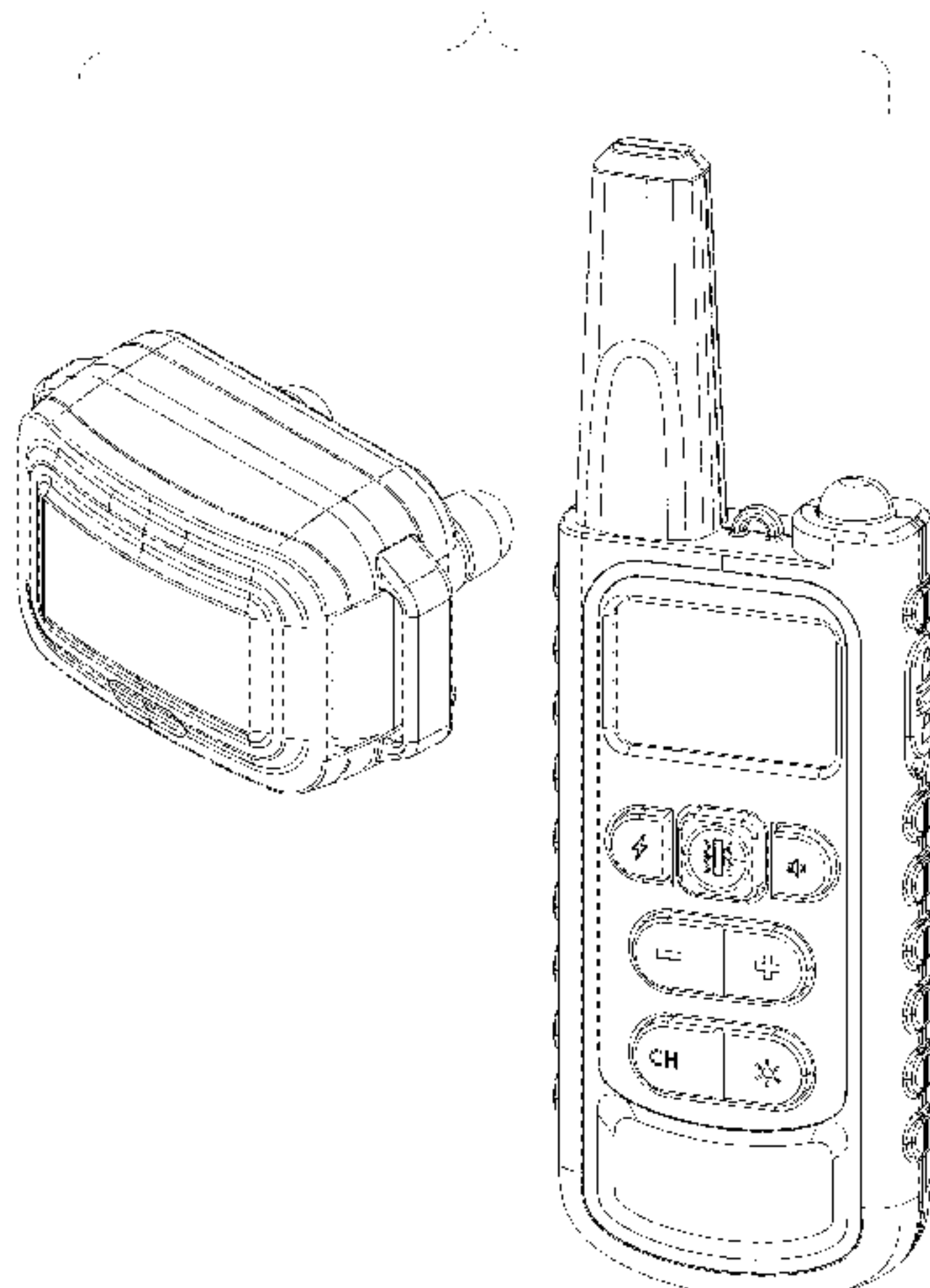
FIG. 14 is an enlarged right side elevation view thereof;

FIG. 15 is an enlarged top plan view thereof;

FIG. 16 is an enlarged bottom plan view thereof; and,

FIG. 17 is a perspective view of transmitter and receiver of the dog trainer.

(Continued)



The broken lines in the drawings illustrate portions of the dog trainer that form no part of the claimed design.

1 Claim, 16 Drawing Sheets

(58) Field of Classification Search

USPC D10/104.2, 109.2, 70, 97, 98, 78, 65;
 D20/28; 224/666, 678; 16/445; 283/74,
 283/70; D11/232, 200, 216, 1, 2, 86, 87,
 D11/201, 206–210, 212–215, 218;
 24/163 K, 122.3, 323, 702, 600.4–600.7,
 24/163 R, 169–171, 173, 177–179, 191,
 24/194, 195, 197, 200, 303, 616, 635,
 24/313, 615, 3, 6, 3 K, 599.2, 96, 221,
 24/237, 311, 312, 314, 321, 338, 339,
 24/309; 428/3, 4; 54/76, 1, 71; 63/29.1,
 63/3; 191/12.2 R, 12.4; D13/154, 153,
 D13/137.4, 155, 103, 168; D19/69, 67;
 379/438; 446/26; 473/576; D22/140;
 174/135; 439/504, 13, 501; D34/33;
 188/83, 82.1, 65.1; 254/134.3 FT;
 D29/124; D2/627, 624, 633, 625;
 132/145, 146, 148; 2/314; 59/79.1;
 340/573.3, 573.1, 573, 573.4,
 340/539.13–539.19; 343/895;
 278/8 AES; 231/7; 361/232; D14/344,
 D14/341, 137, 155, 496, 203.5, 203.3,
 D14/144, 218, 188, 216, 192;
 342/357.51, 357.57, 357.52, 357.55;
 455/100, 352, 456.1, 550.1; 315/291
 CPC A01K 15/021; A01K 15/02; A01K 15/022;
 A01K 15/023; A01K 15/029; A01K
 15/04; A01K 15/00; A01K 15/006; A01K
 12/022; A01K 27/009; A01K 27/00;
 A01K 27/001; A01K 27/006–008; A01K
 29/005; A01K 29/00; A61B 5/0002–0028;
 A61B 5/681; A61B 5/6822; A61B
 5/6824; A61B 5/6829; G01S 5/0294
 See application file for complete search history.

(56) References Cited

U.S. PATENT DOCUMENTS

D677,230 S * 3/2013 Ooi D14/137
 D762,375 S * 8/2016 Duarte D3/218

9,861,080 B1 * 1/2018 Hathway A01K 27/001
 D816,632 S * 5/2018 Yamamoto D14/137
 D817,557 S * 5/2018 Liu D30/152
 D829,120 S * 9/2018 Mitchell D10/104.1
 D835,364 S * 12/2018 Lee D10/104.1
 D838,611 S * 1/2019 Xie D10/78
 D851,339 S * 6/2019 Solinsky D30/152
 D858,904 S * 9/2019 Zinn D10/104.1
 D863,242 S * 10/2019 Gordon D14/137
 D879,390 S * 3/2020 Cai D10/104.1
 D892,757 S * 8/2020 Pang D14/137
 D895,908 S * 9/2020 Yan D14/188
 D898,307 S * 10/2020 Yang D10/104.1
 D898,613 S * 10/2020 Stapleton D11/216
 D924,826 S * 7/2021 Tschopp D14/137
 D925,141 S * 7/2021 Lai D10/104.1
 D926,717 S * 8/2021 Hong D14/137
 D931,246 S * 9/2021 Hong D14/137
 D933,036 S * 10/2021 Hong D14/137
 D943,845 S * 2/2022 Li D10/104.1
 D944,470 S * 2/2022 Li D10/104.1
 D950,170 S * 4/2022 Li D10/104.1
 D951,894 S * 5/2022 Xiao D14/137
 D952,961 S * 5/2022 Li D30/152
 D953,667 S * 5/2022 Li D30/152
 11,324,200 B2 * 5/2022 Ma A01K 15/021
 D955,670 S * 6/2022 Tan D10/104.1
 D957,763 S * 7/2022 Jia D10/104.1
 D964,669 S * 9/2022 Wei D10/104.1
 D967,569 S * 10/2022 Chen D10/104.1
 D970,827 S * 11/2022 Zhuang D30/152
 D973,979 S * 12/2022 Zhong D30/152
 D984,070 S * 4/2023 Yang D10/104.1
 D984,762 S * 4/2023 Yang D10/104.1
 D985,220 S * 5/2023 Yan D10/104.1
 D985,864 S * 5/2023 Liu D10/104.1
 D986,520 S * 5/2023 Xia D10/104.1
 D987,914 S * 5/2023 Zhang D10/104.1
 D987,915 S * 5/2023 Luo D10/104.1
 D987,920 S * 5/2023 Xia D10/104.1
 D988,621 S * 6/2023 Jiang D10/104.1
 D988,622 S * 6/2023 Wang D10/104.1
 D989,421 S * 6/2023 Tu D10/104.1
 2013/0233252 A1 * 9/2013 Bellon A01K 27/009
 119/720
 2020/0015456 A1 * 1/2020 Van Curen A01K 15/022
 2021/0219524 A1 * 7/2021 So H04R 1/08

* cited by examiner

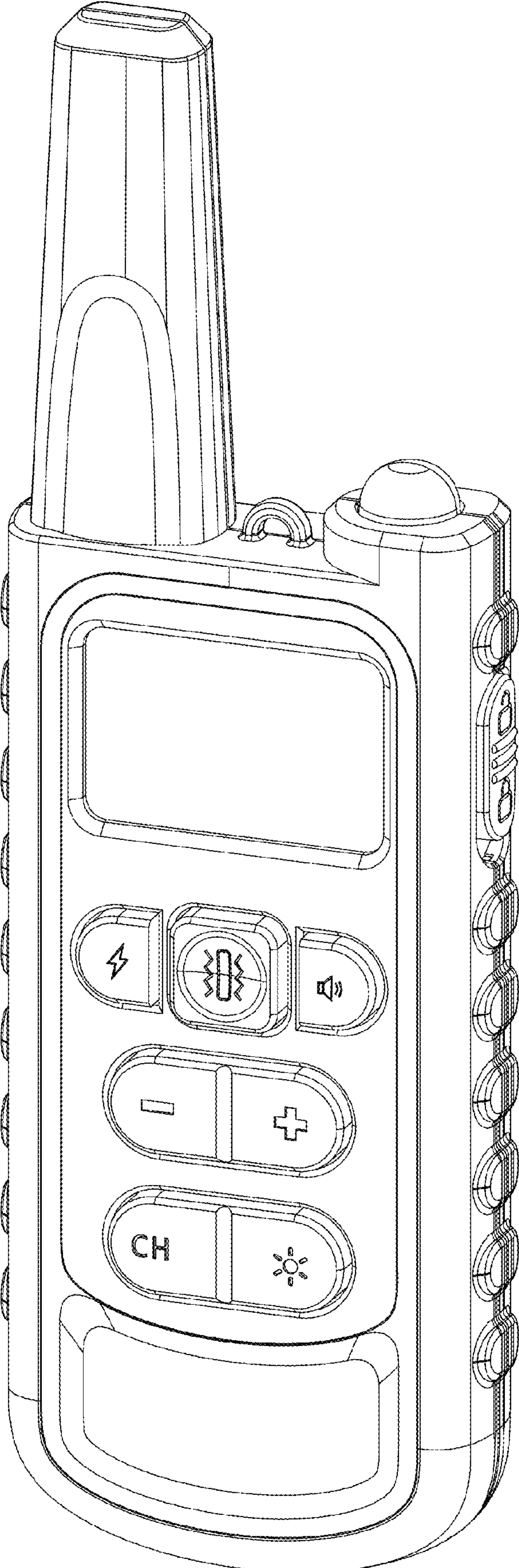


FIG.1

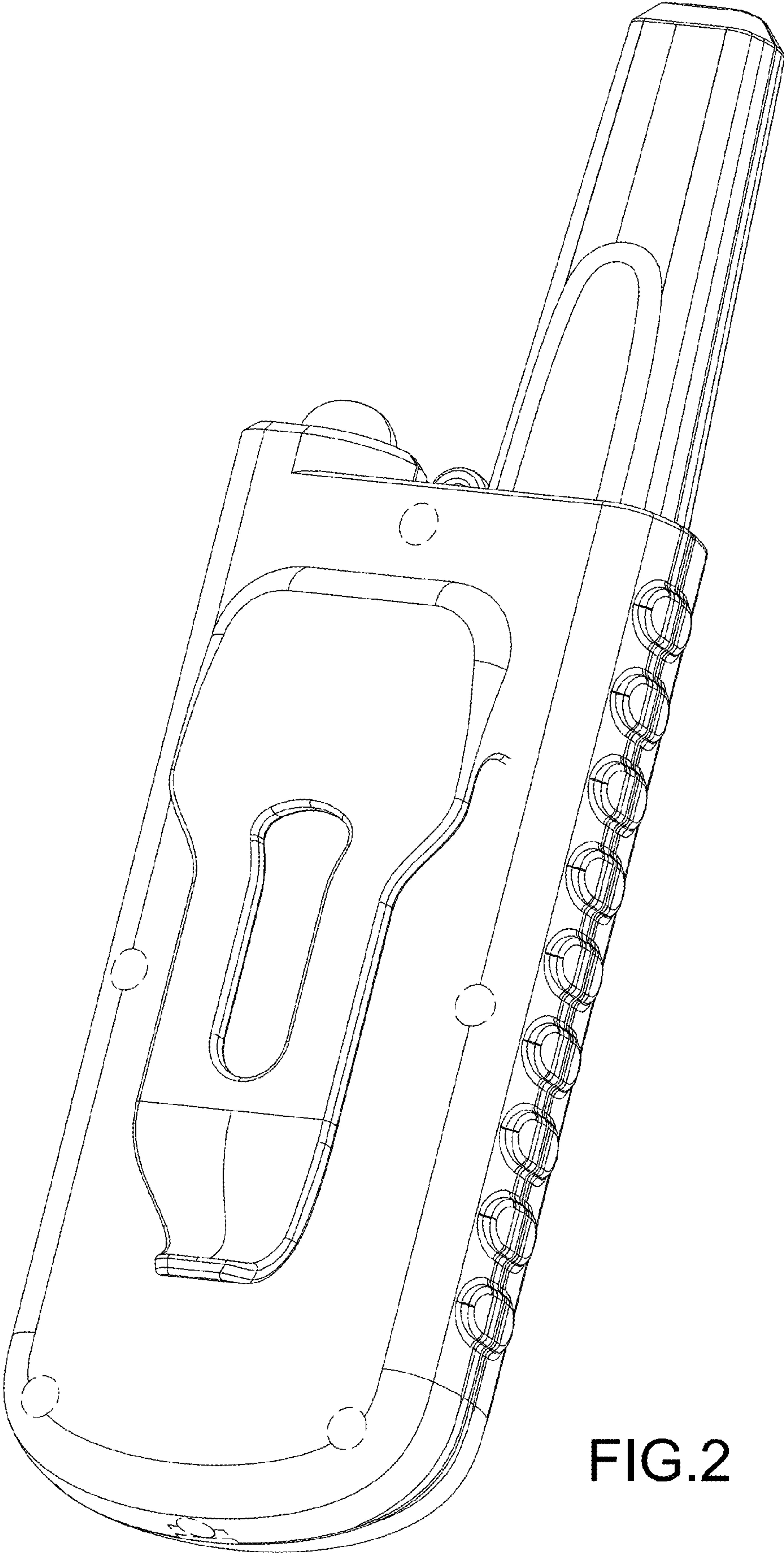


FIG.2

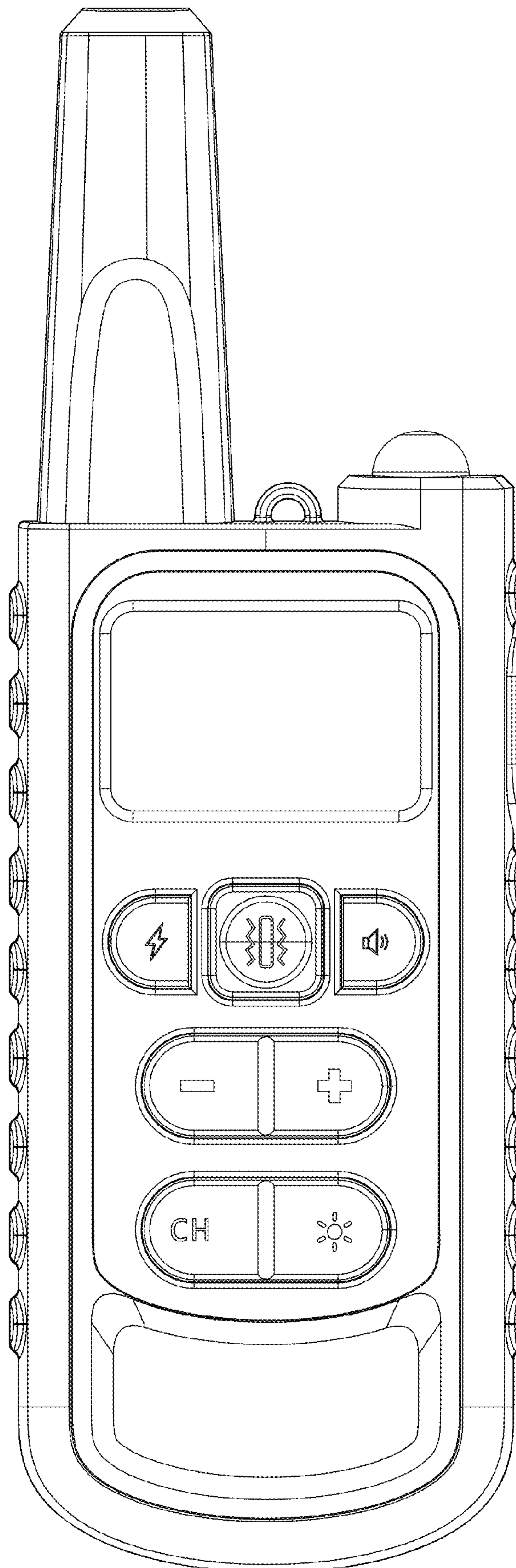


FIG.3

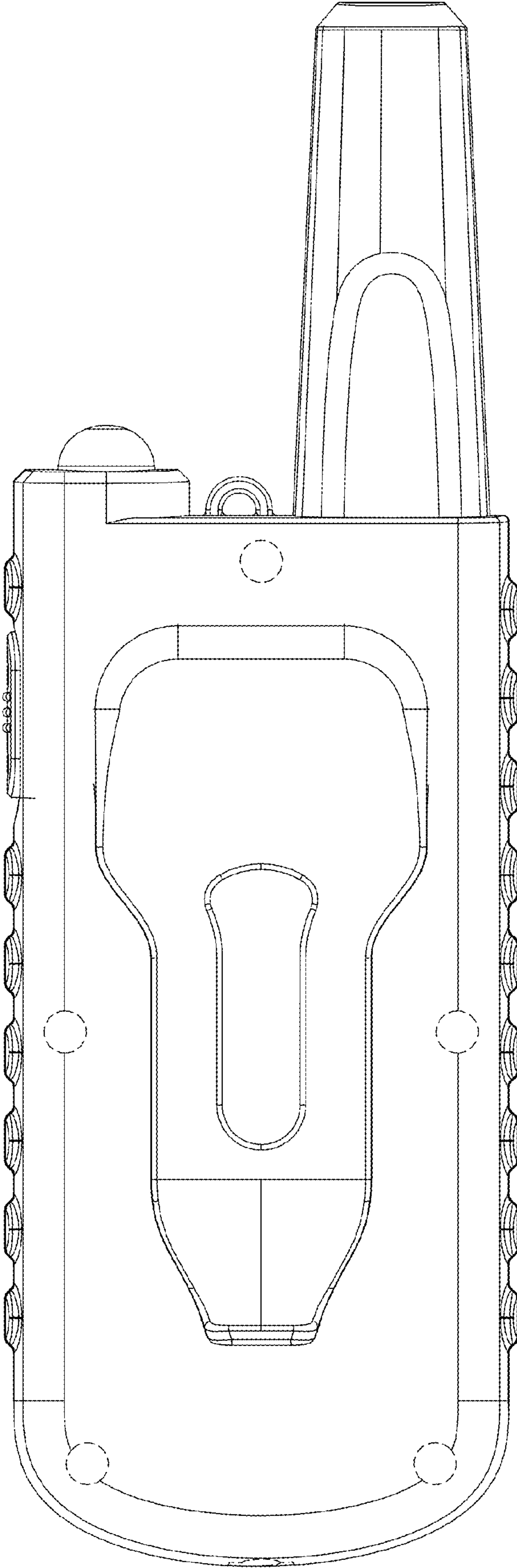
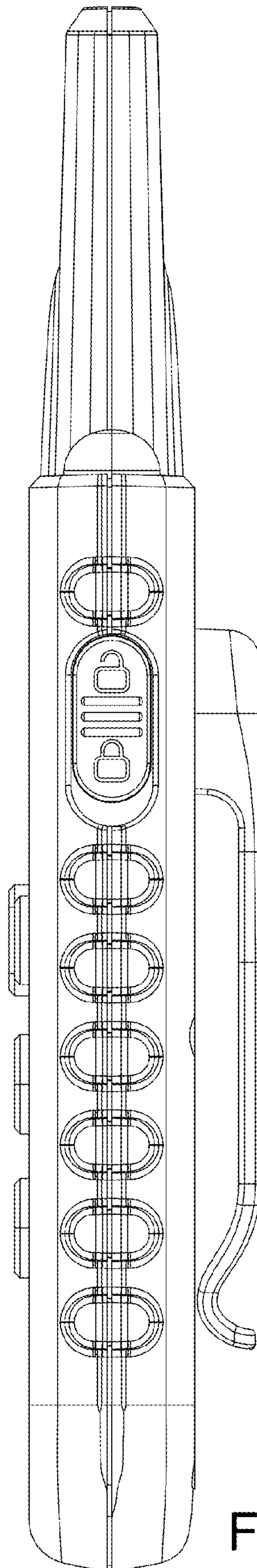
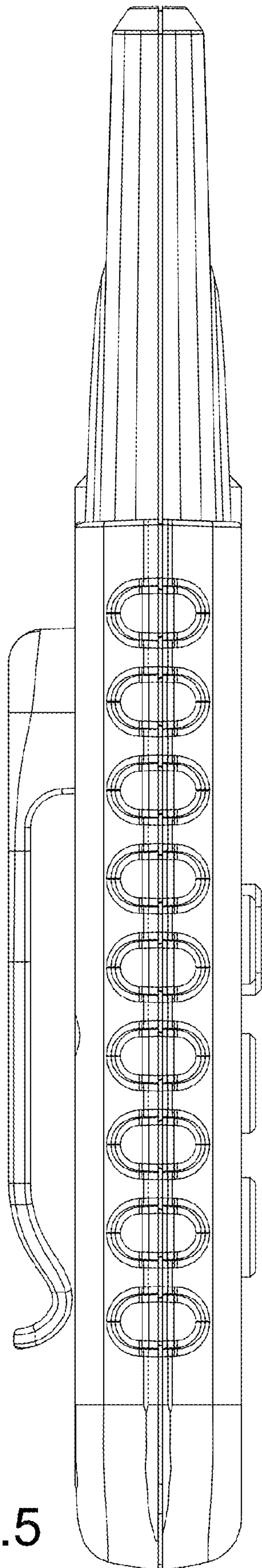


FIG.4



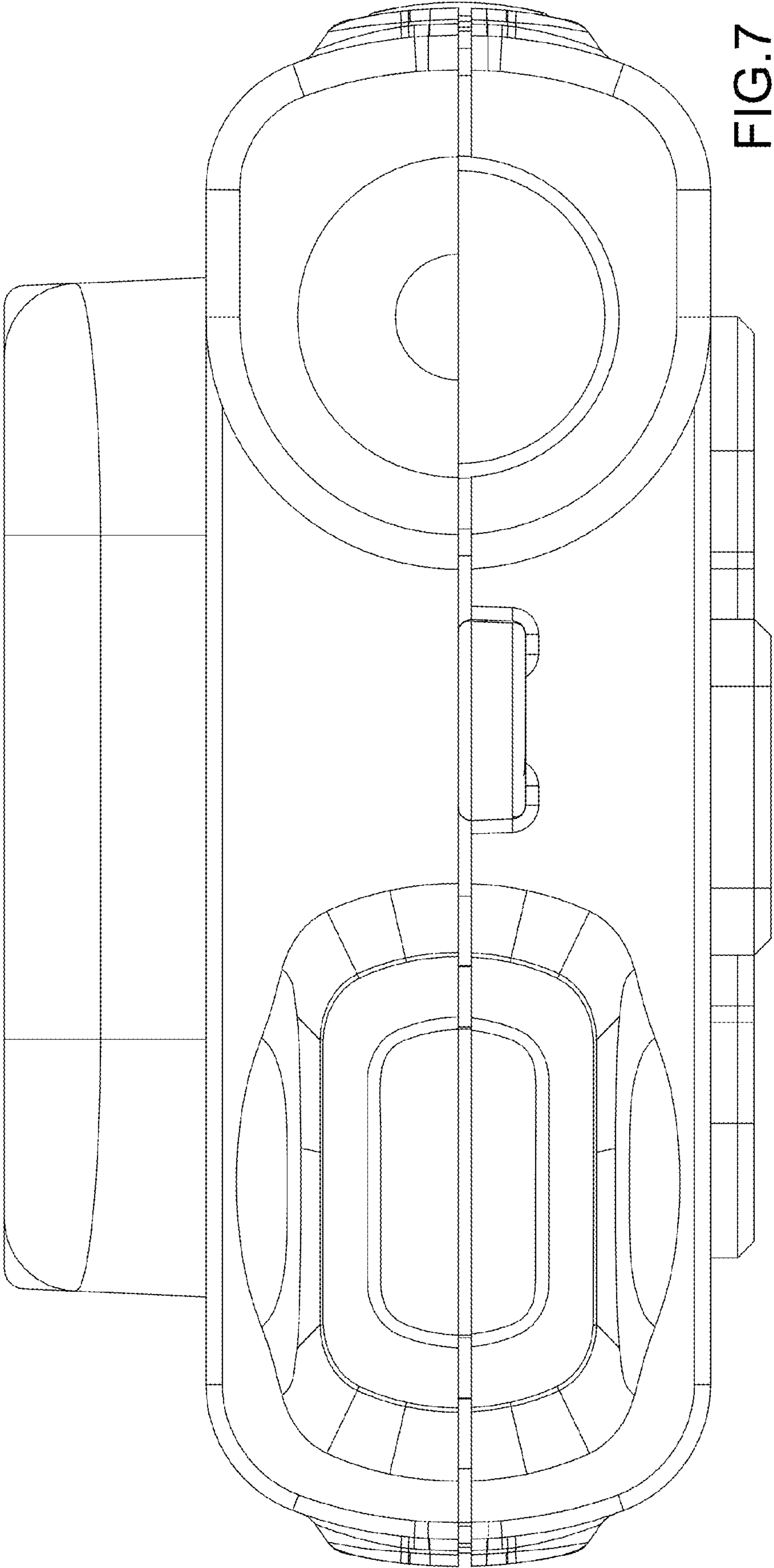


FIG. 7

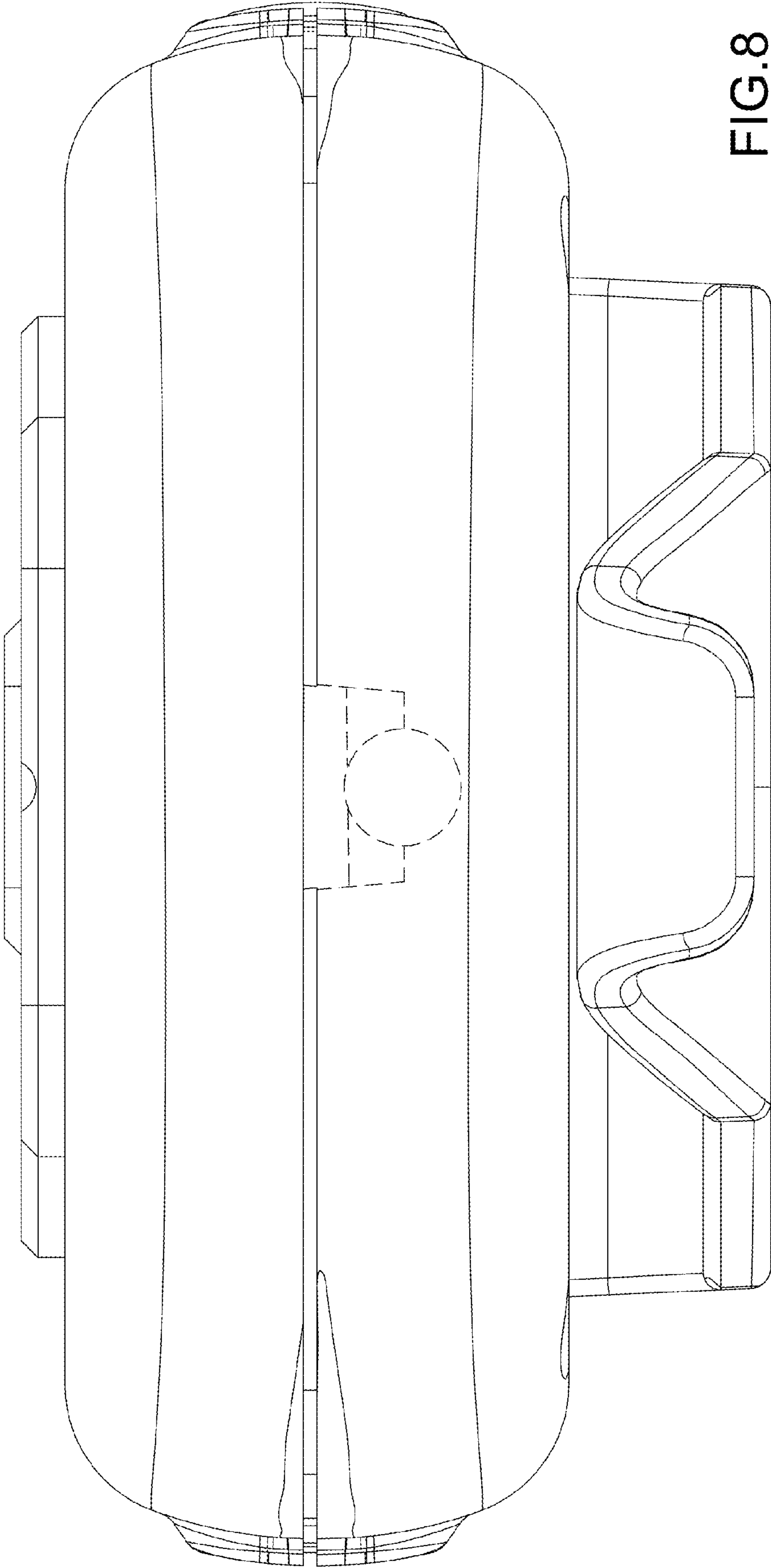


FIG.8

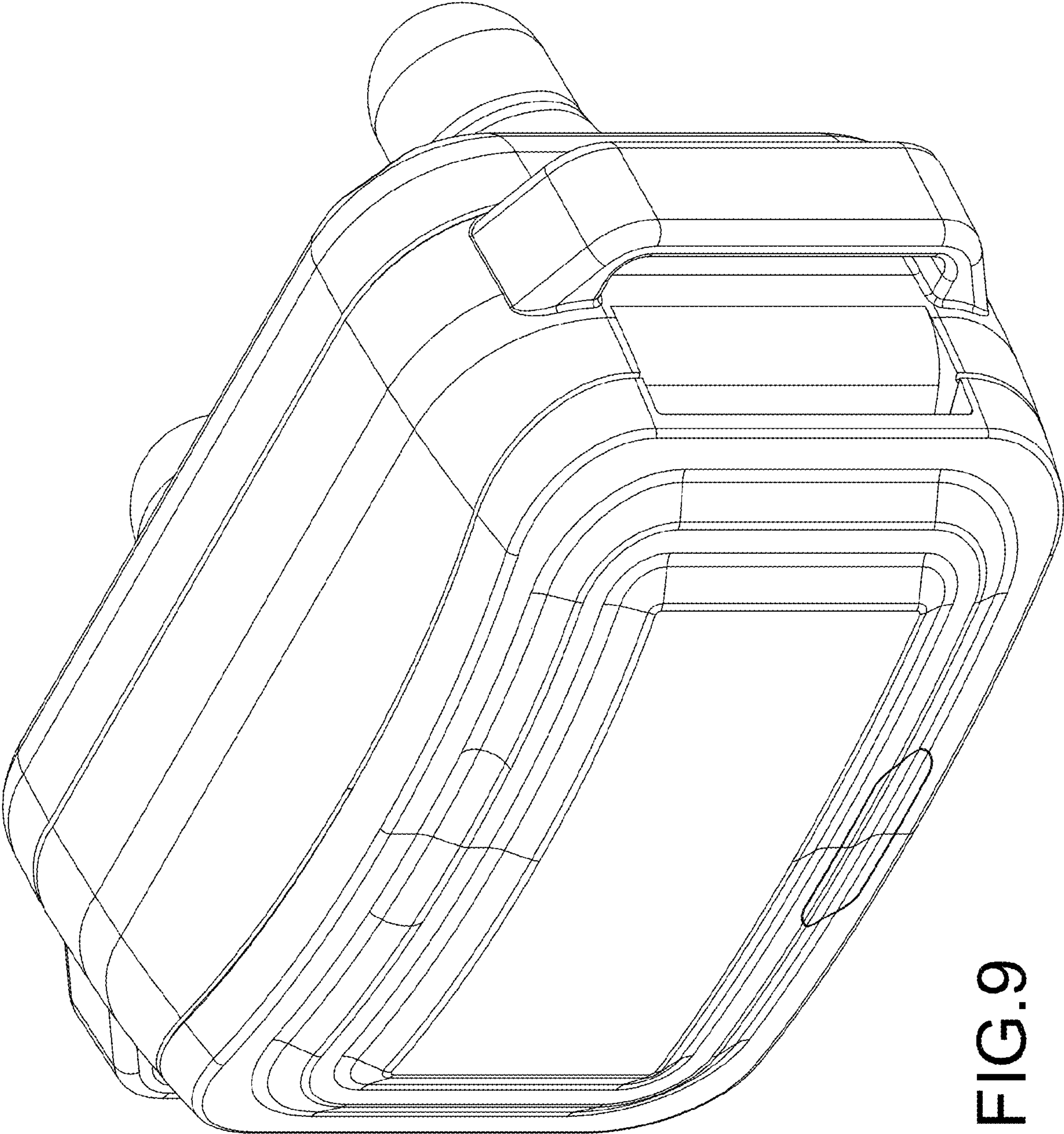


FIG. 9

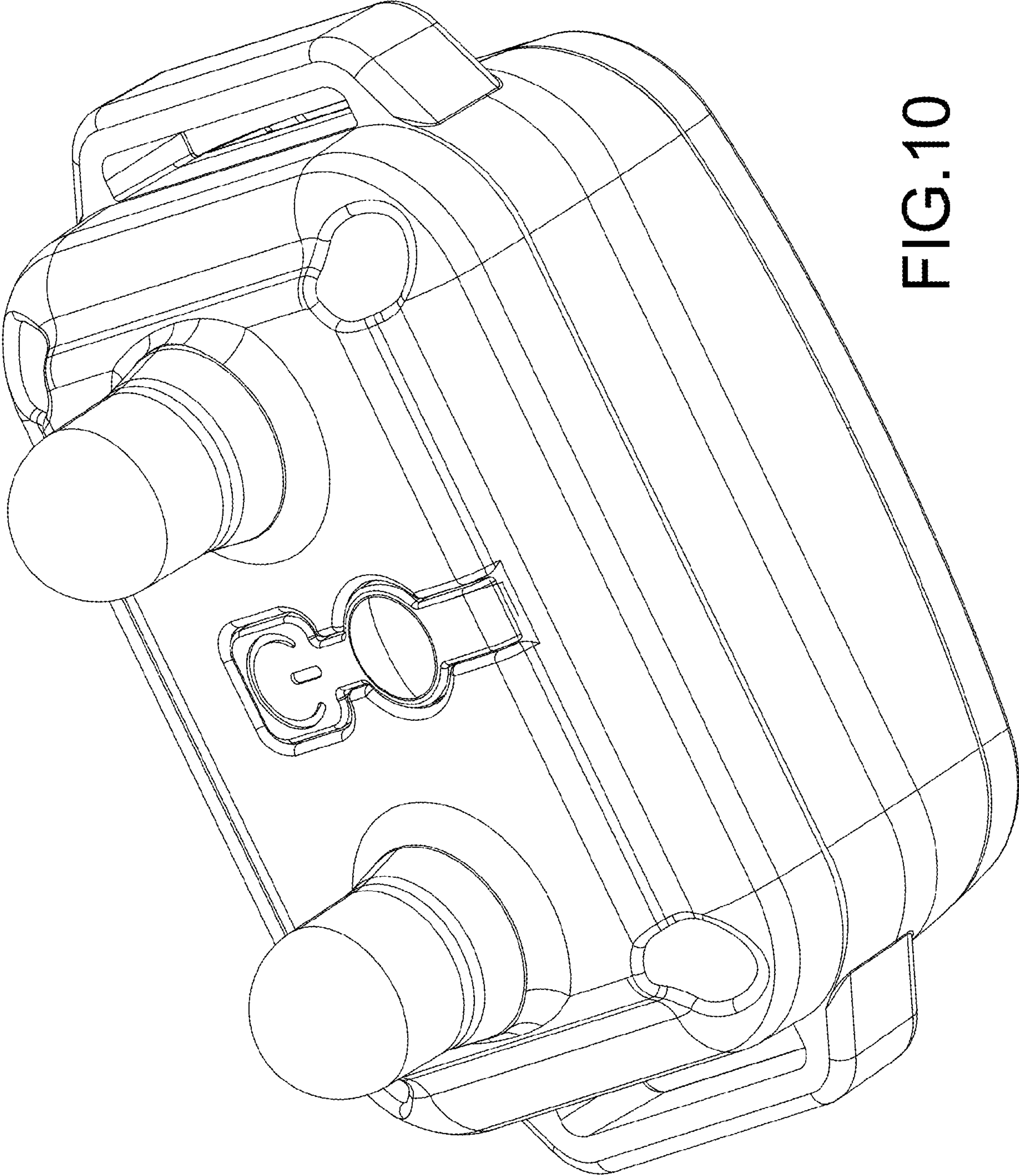


FIG.10

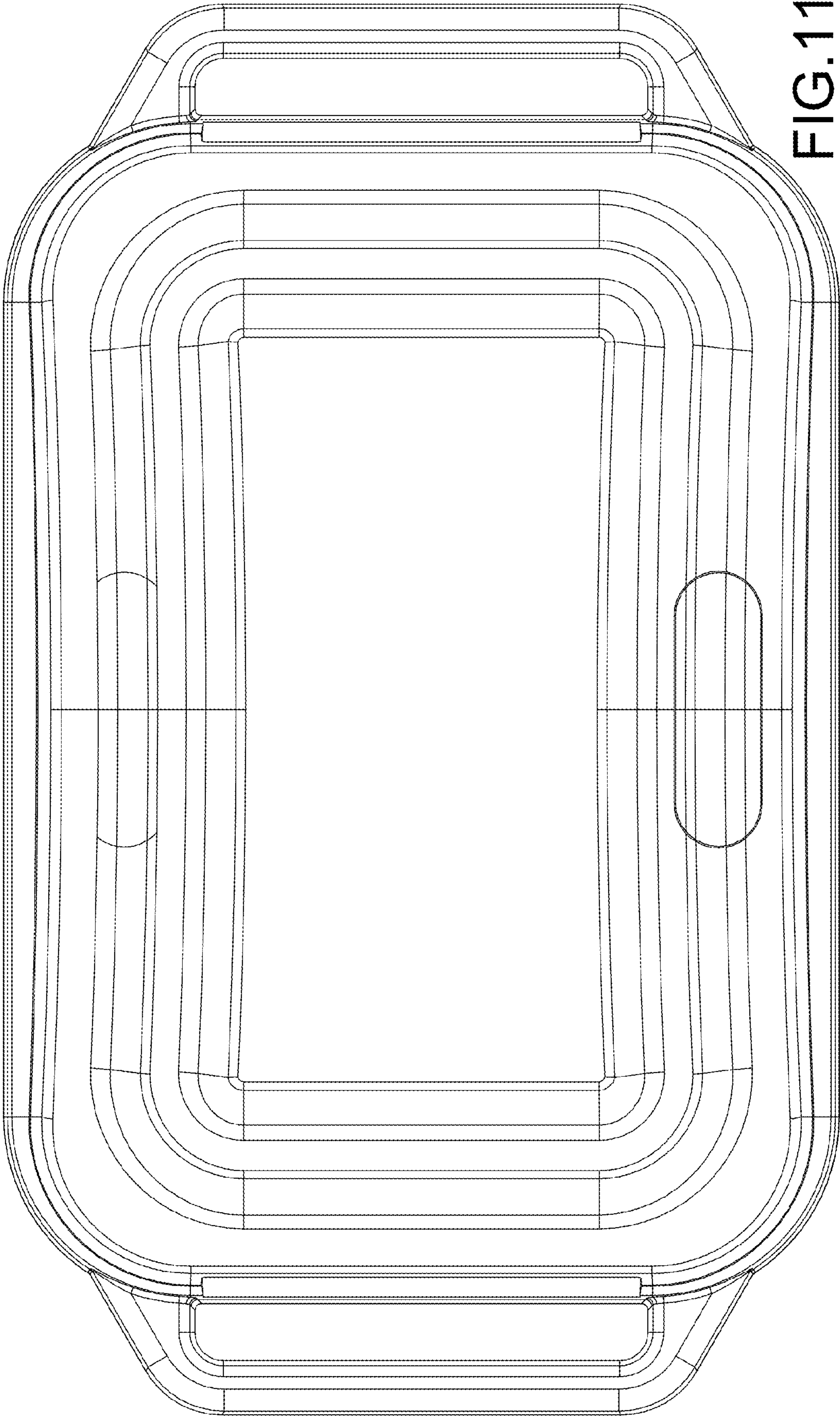


FIG.11

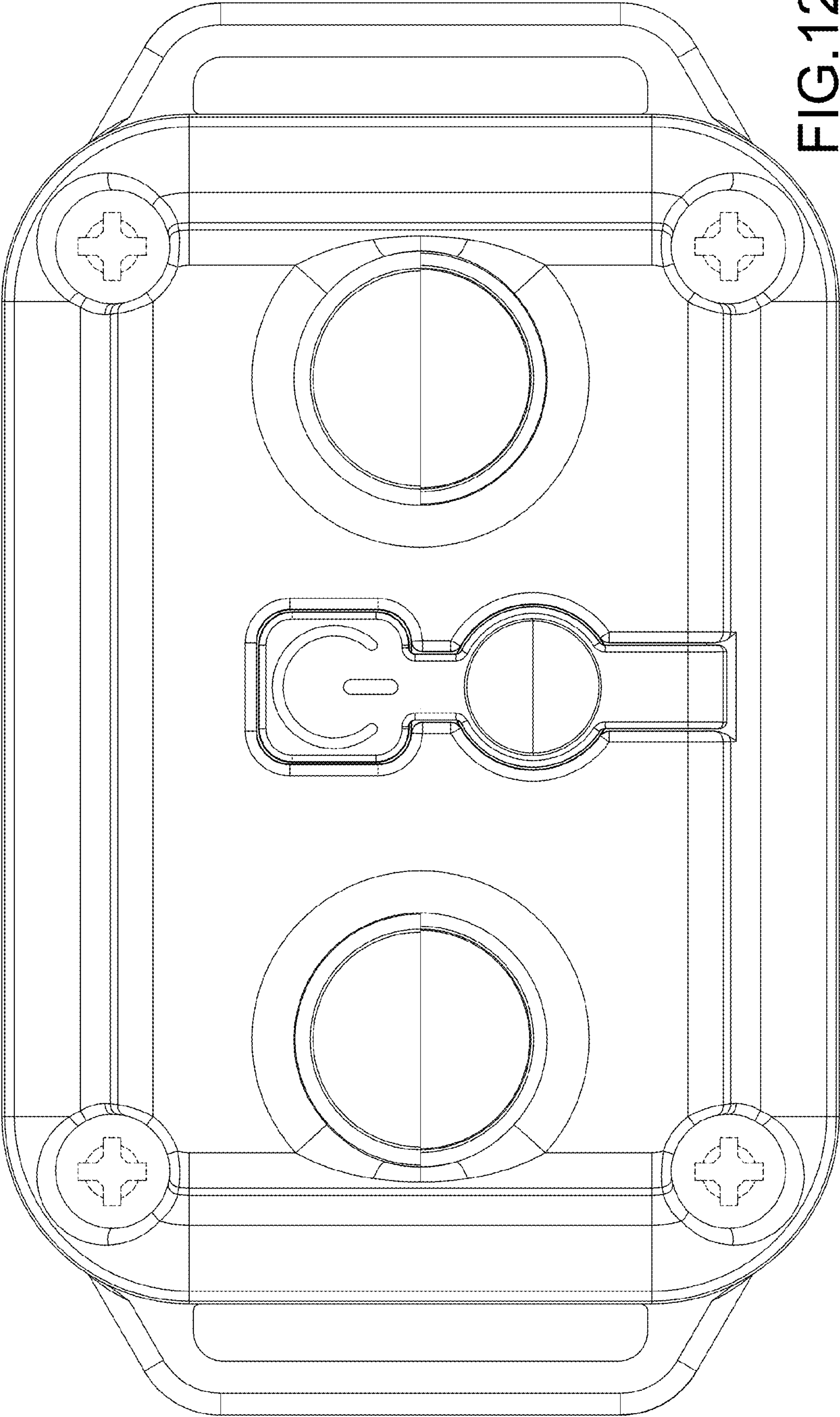


FIG.12

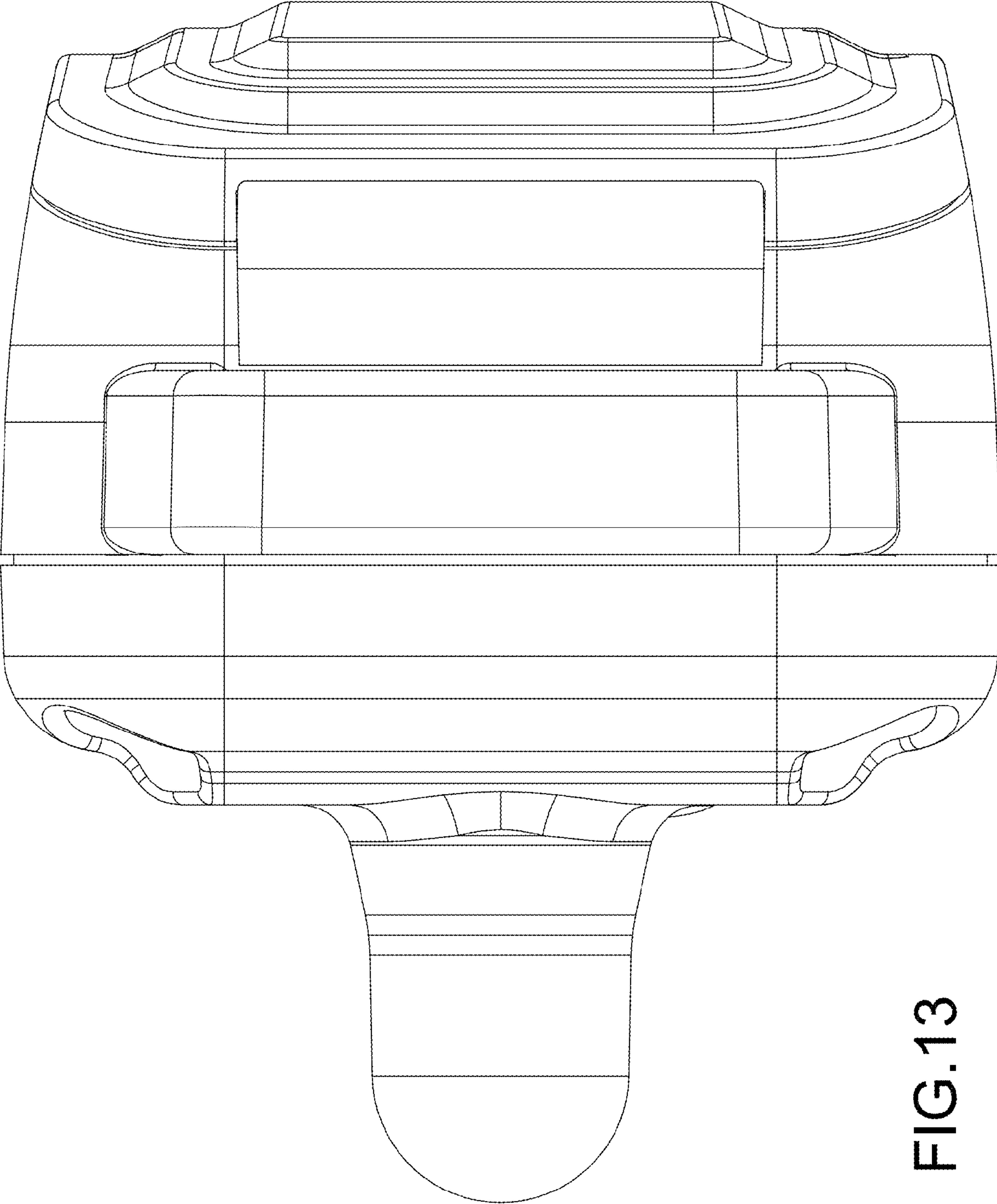


FIG. 13

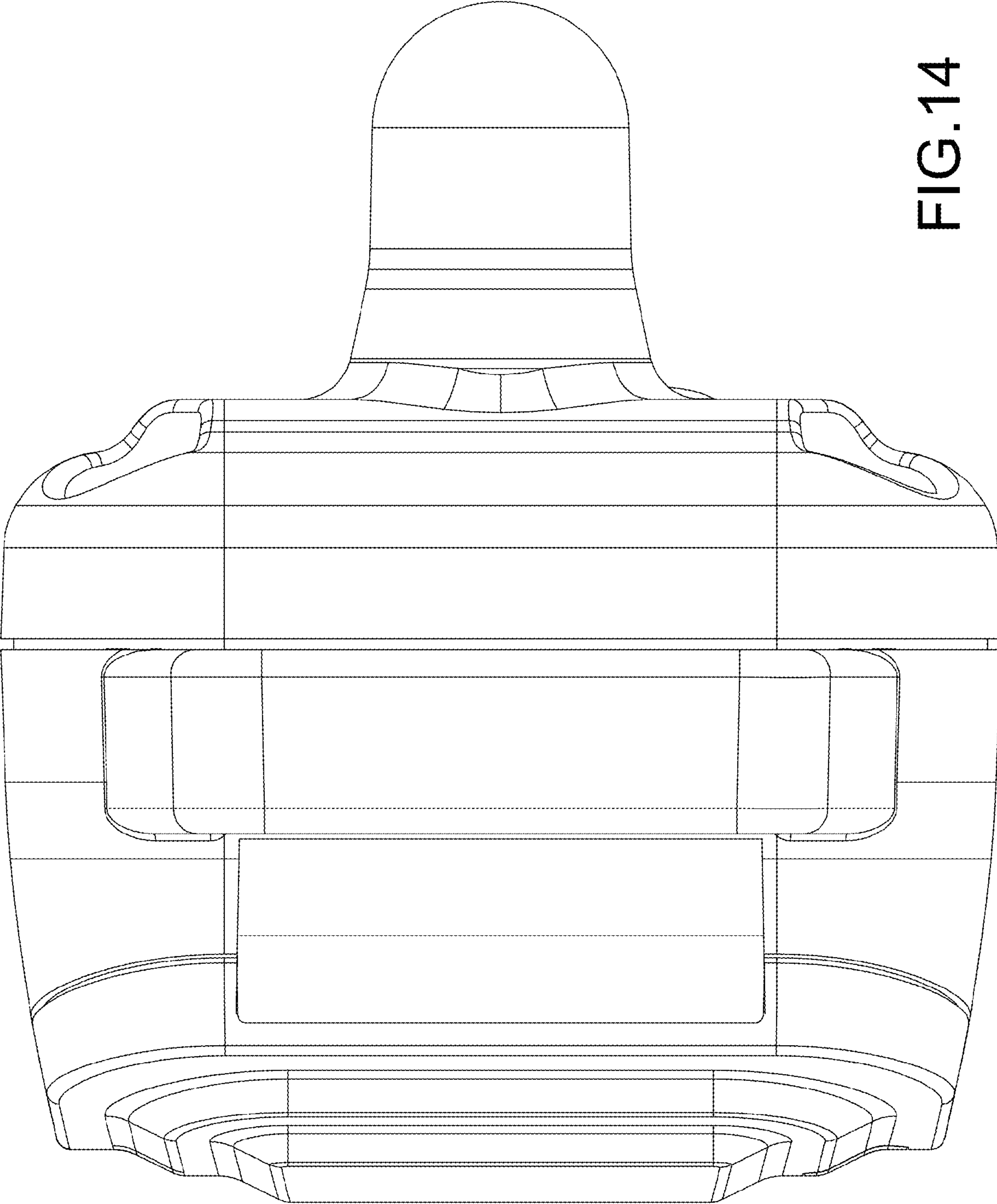


FIG.14

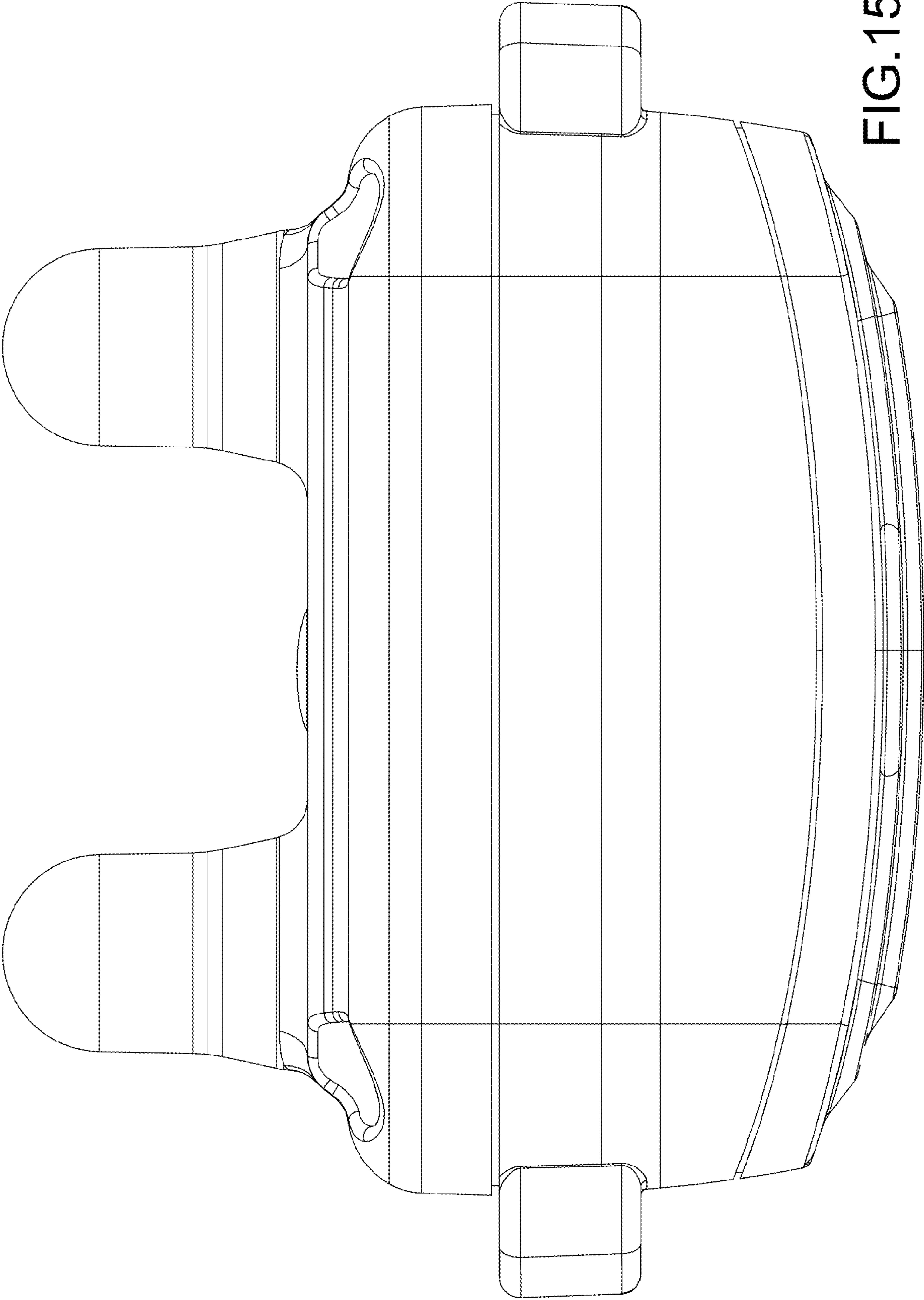


FIG.15

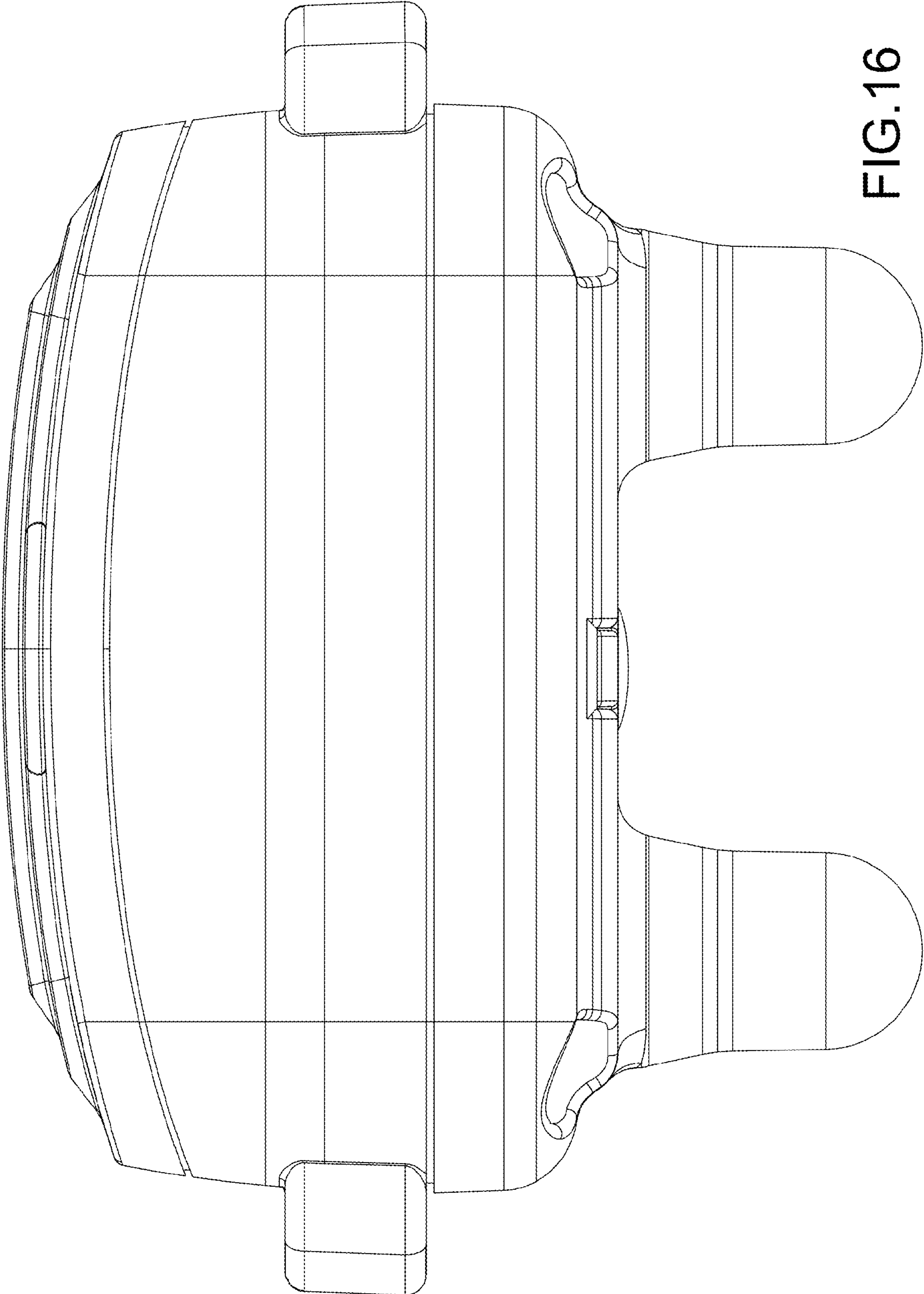


FIG.16

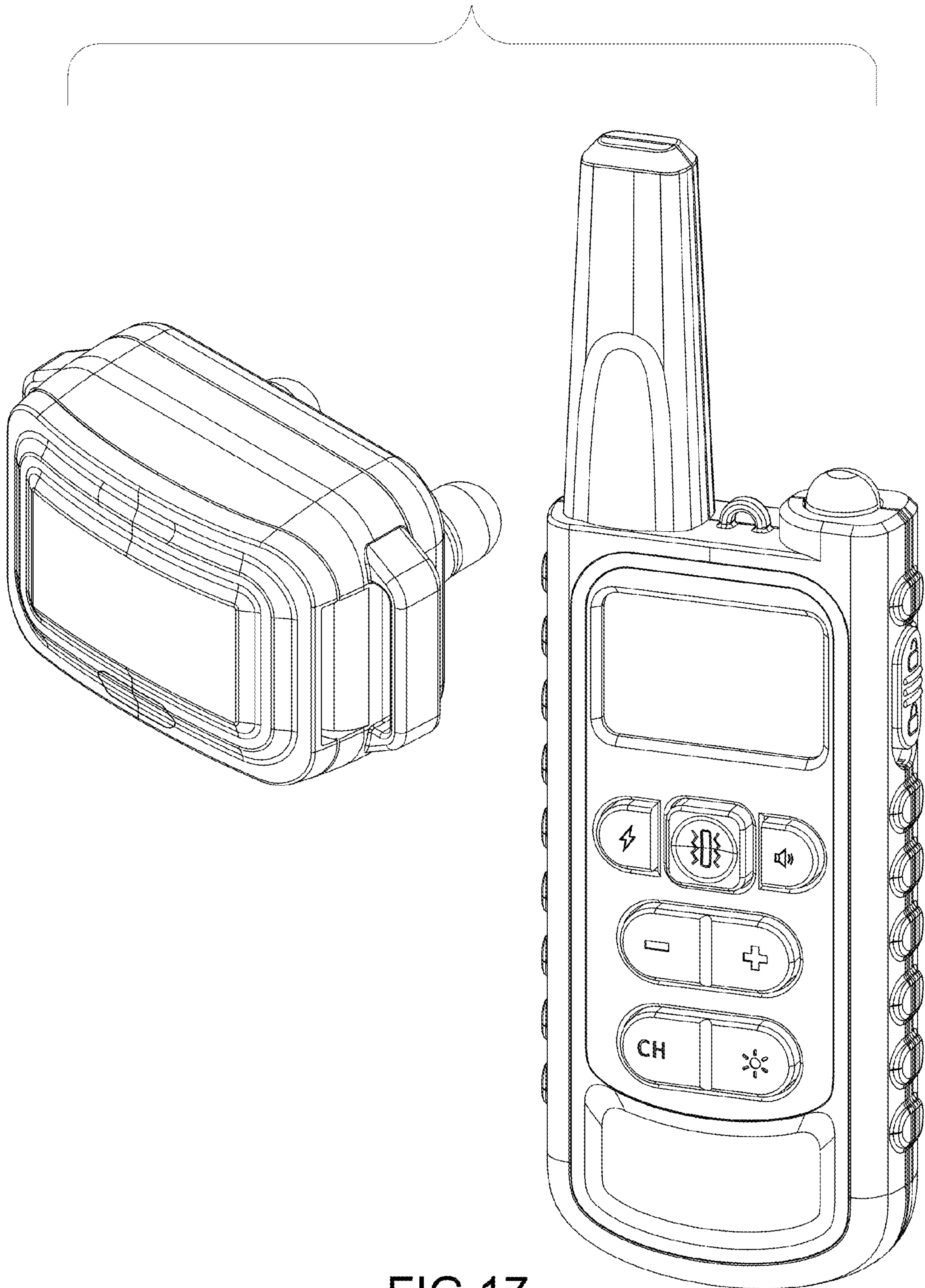


FIG.17