



US0D1010920S

(12) **United States Design Patent** (10) **Patent No.:** **US D1,010,920 S**  
**Sawhney et al.** (45) **Date of Patent:** **\*\* Jan. 9, 2024**

(54) **HOOKAH DEVICE**  
(71) Applicant: **ADALSIA LIMITED**, Limassol (CY)  
(72) Inventors: **Ravi Kumar Sawhney**, Thousand Oaks, CA (US); **Lance Gordon Hussey**, Thousand Oaks, CA (US); **Christopher Dean Loock**, Thousand Oaks, CA (US)  
(73) Assignee: **ADLSIA LIMITED**, Limassol (CY)  
(\*\*) Term: **15 Years**

2014/0255014 A1 9/2014 Bishara  
2016/0029696 A1 2/2016 Obeidallah  
2017/0099873 A1 4/2017 Benjamignan et al.  
2017/0251718 A1 9/2017 Armoush et al.

**FOREIGN PATENT DOCUMENTS**

EP 2292108 9/2011  
IN 2009DE01413 7/2009  
WO WO 2010098782 9/2010  
WO WO 2014012216 1/2014  
WO WO 2014118787 8/2014  
WO WO 2015143637 10/2015  
WO WO 2017178932 10/2017  
WO WO 2019003116 1/2019

(Continued)

(21) Appl. No.: **29/805,977**

(22) Filed: **Aug. 31, 2021**

(51) **LOC (14) Cl.** ..... **27-02**

(52) **U.S. Cl.**  
USPC ..... **D27/162**

(58) **Field of Classification Search**  
USPC ..... D27/100, 103, 162–165, 167, 169, 172, D27/180, 183, 194; D23/360  
CPC ..... A24F 1/30; A24F 1/02; A24F 1/00; A24F 47/008; A24F 47/002; A61M 11/00  
See application file for complete search history.

(56) **References Cited**

**U.S. PATENT DOCUMENTS**

8,983,282 B2 3/2015 Bishara  
D794,878 S \* 8/2017 Hussey ..... D30/160  
9,877,517 B2 1/2018 Liu  
10,206,424 B1 2/2019 Gammerler  
D842,537 S \* 3/2019 Booth ..... D27/194  
D896,437 S \* 9/2020 Volodarsky ..... D27/162  
D910,911 S \* 2/2021 Kim ..... D27/162  
D946,202 S \* 3/2022 Zouev ..... D27/162  
D959,736 S \* 8/2022 Chen ..... D27/162  
D965,215 S \* 9/2022 Chen ..... D27/162  
D976,481 S \* 1/2023 Liang ..... D27/162  
D978,422 S \* 2/2023 Chen ..... D27/162

**OTHER PUBLICATIONS**

Anders K. Nelson, Lightning Hookah, found at <https://www.andersknelson.com/blog/?p=354>, published Nov. 21, 2017.

(Continued)

*Primary Examiner* — Rebecca Tsehaye  
(74) *Attorney, Agent, or Firm* — RISSO IP

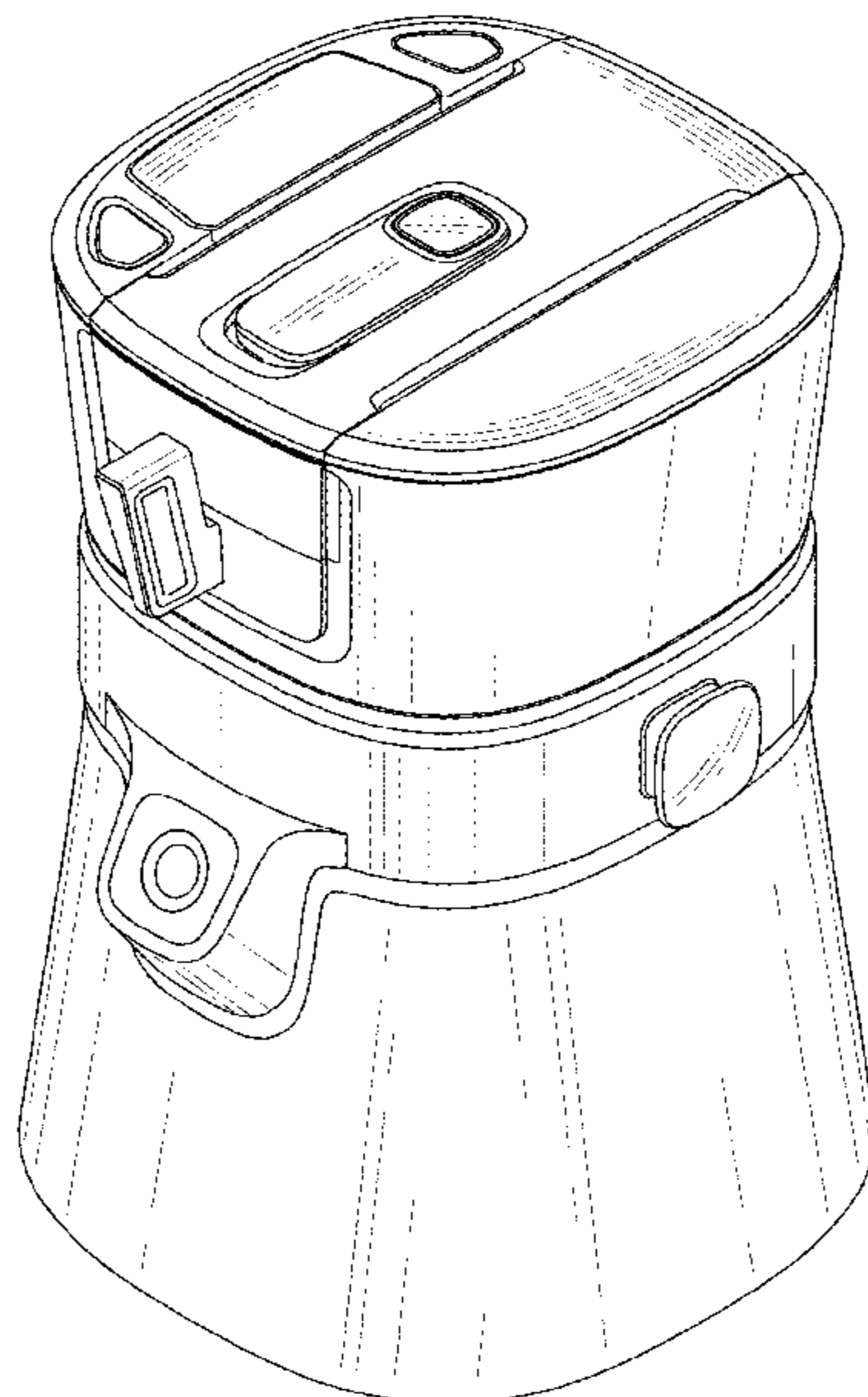
(57) **CLAIM**

The ornamental design for a hookah device, as shown and described.

**DESCRIPTION**

FIG. 1 is a top, isometric-view of a hookah device;  
FIG. 2 is a right, side-view of the hookah device;  
FIG. 3 is a left, side-view of the hookah device;  
FIG. 4 is a front-view of the hookah device;  
FIG. 5 is a rear-view of the hookah device;  
FIG. 6 is a top-view of the hookah device; and,  
FIG. 7 is a bottom-view of the hookah device.

**1 Claim, 7 Drawing Sheets**



(56)

**References Cited**

FOREIGN PATENT DOCUMENTS

WO	WO 2019003117	1/2019
WO	WO 2019016737	1/2019

OTHER PUBLICATIONS

Power Hookah, by Power Hookah, found at <https://www.powerhookah.com/>, published Mar. 23, 2018.

International Search Report, PCT/IB2020/000117, dated May 15, 2020.

Written Opinion of the International Search Authority, PCT/IB2020/000117, dated May 15, 2020.

International Preliminary Report on Patentability, PCT/IB2020/000117, dated Feb. 24, 2021.

\* cited by examiner

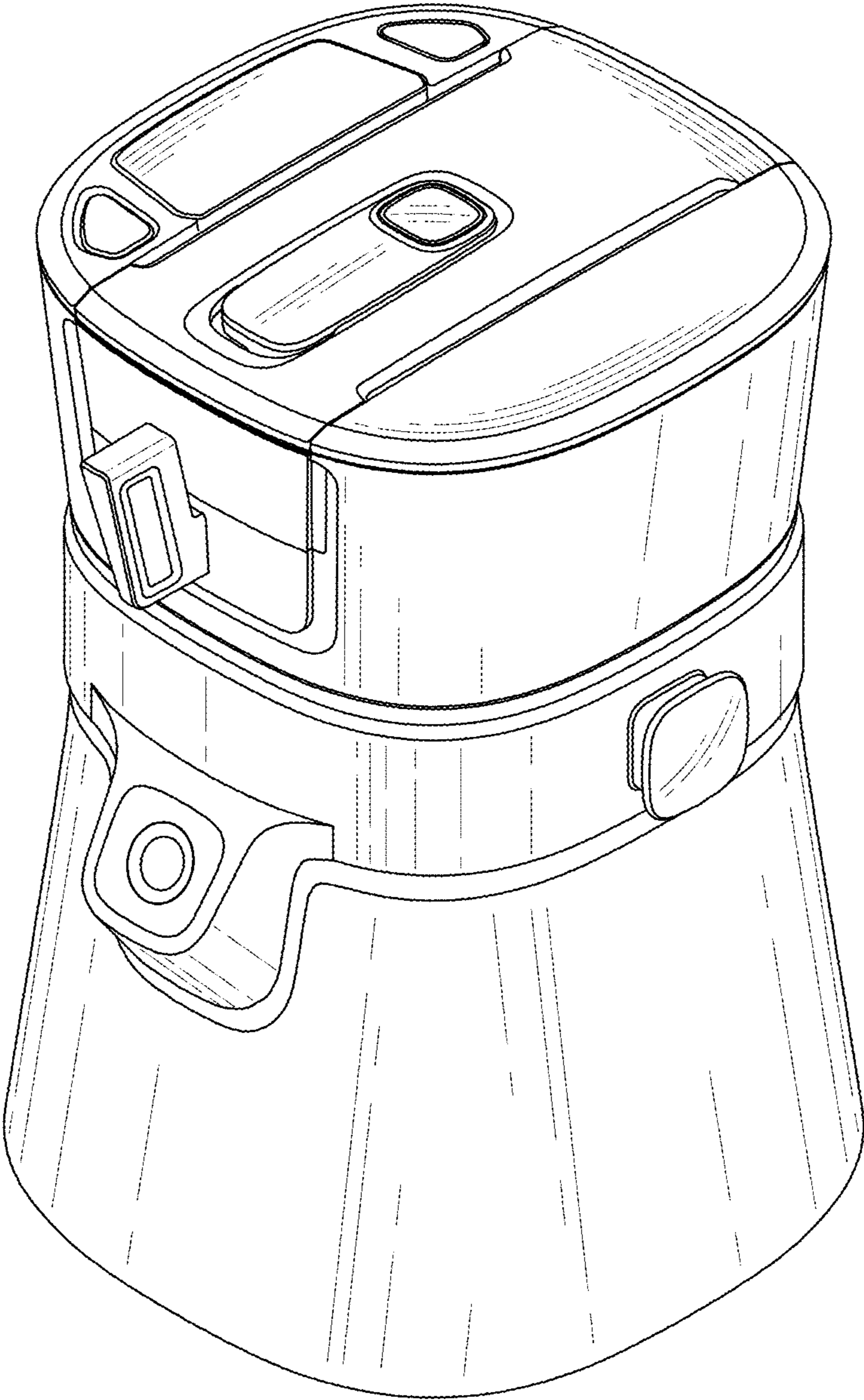


FIG. 1

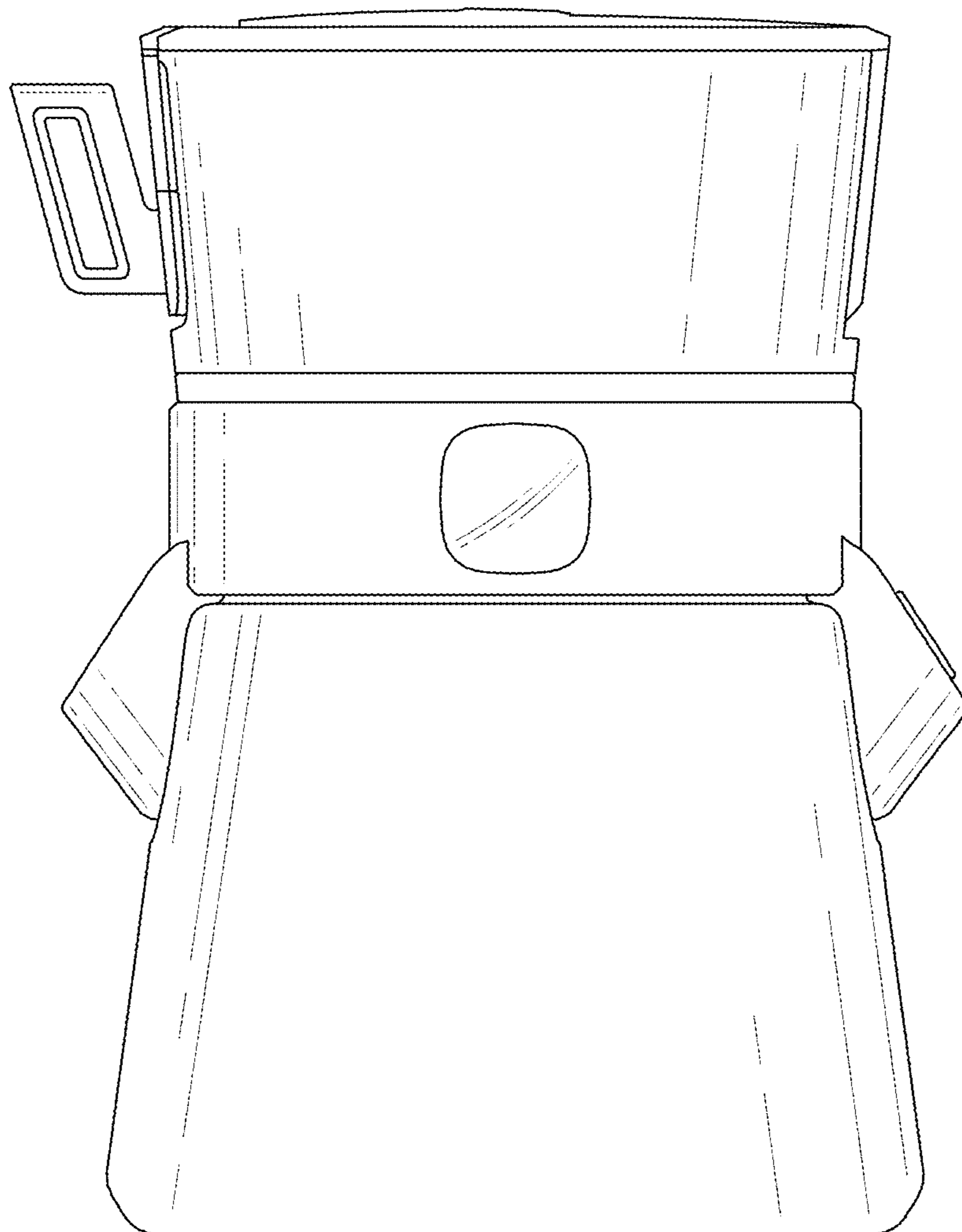


FIG. 2

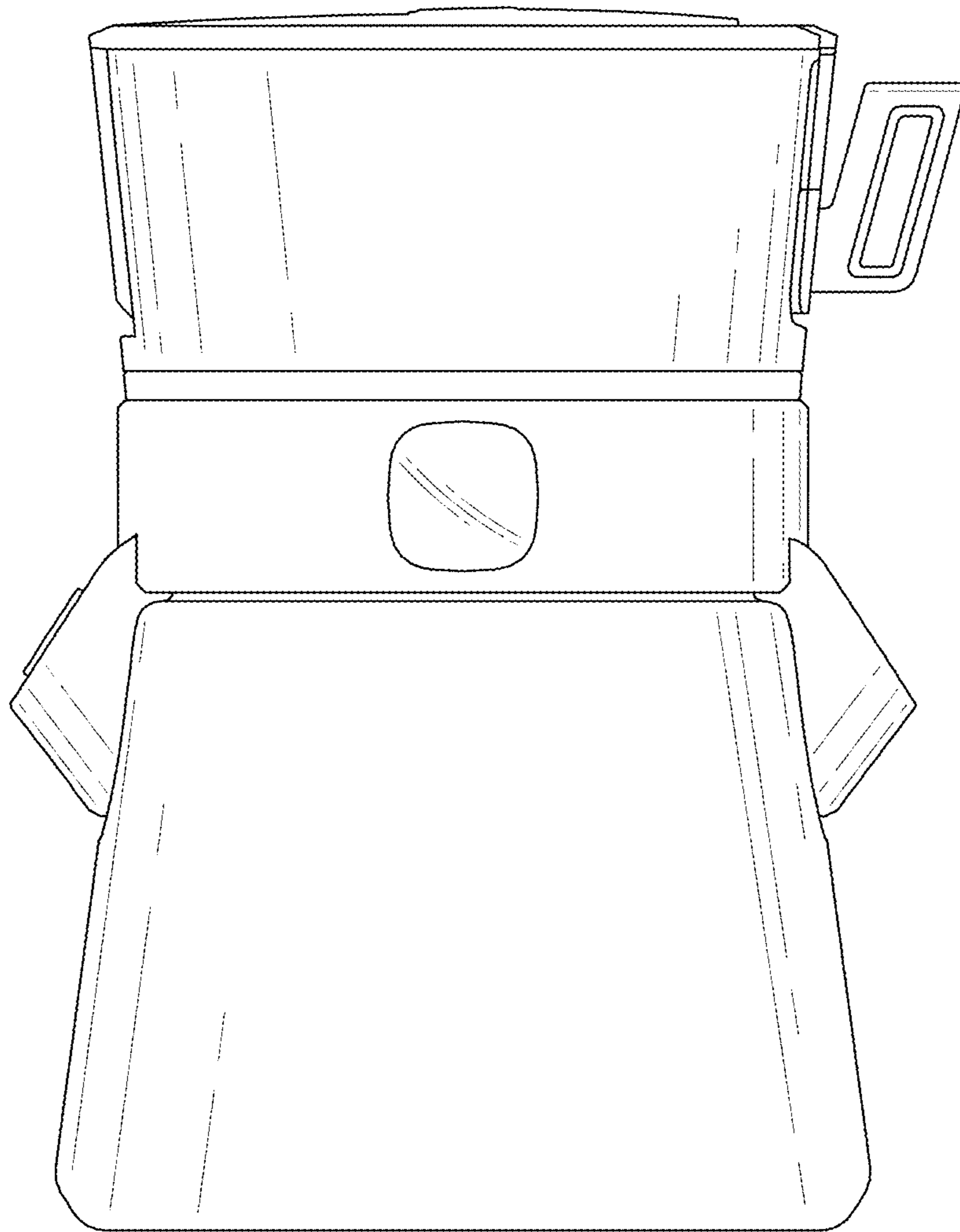


FIG. 3

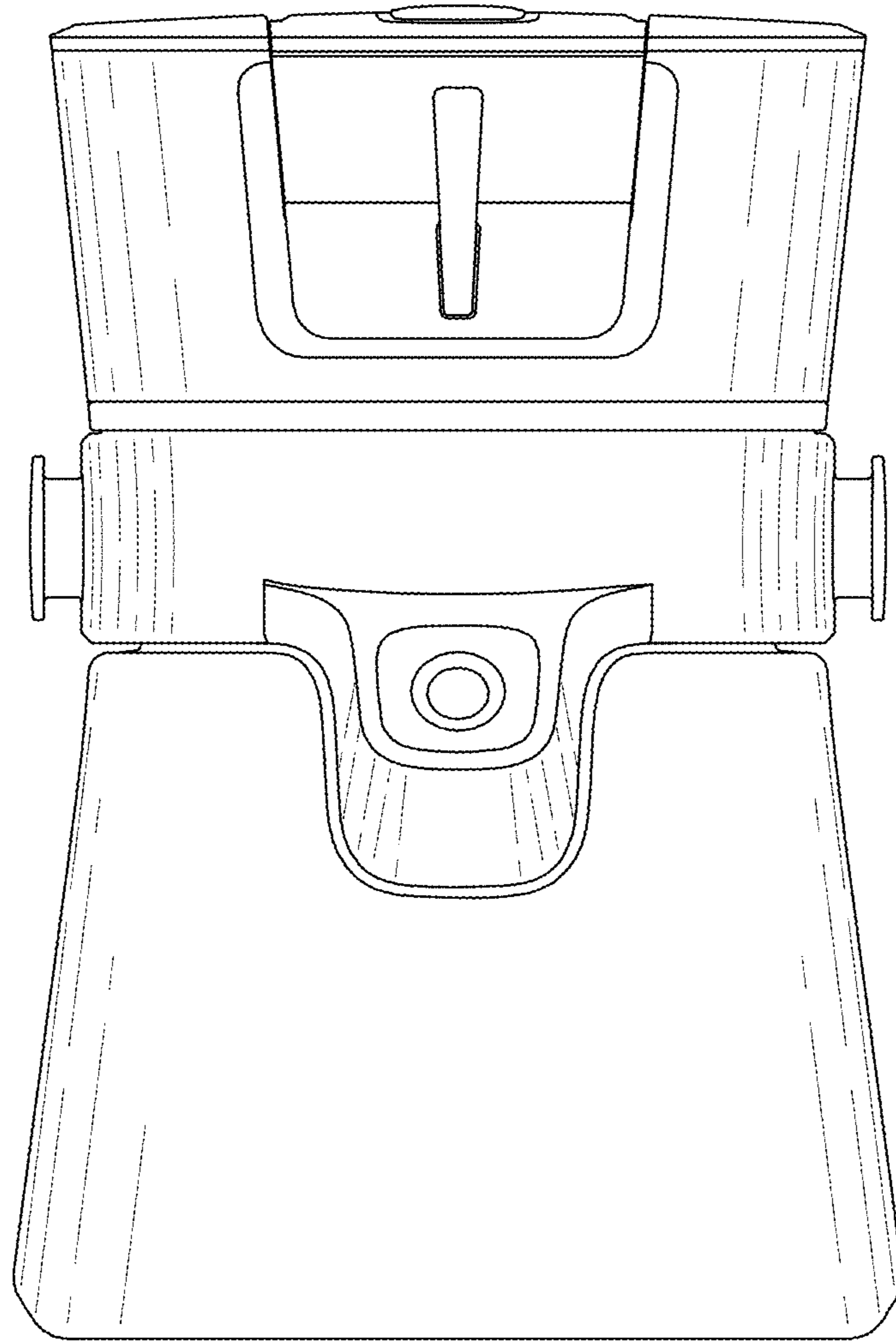


FIG. 4

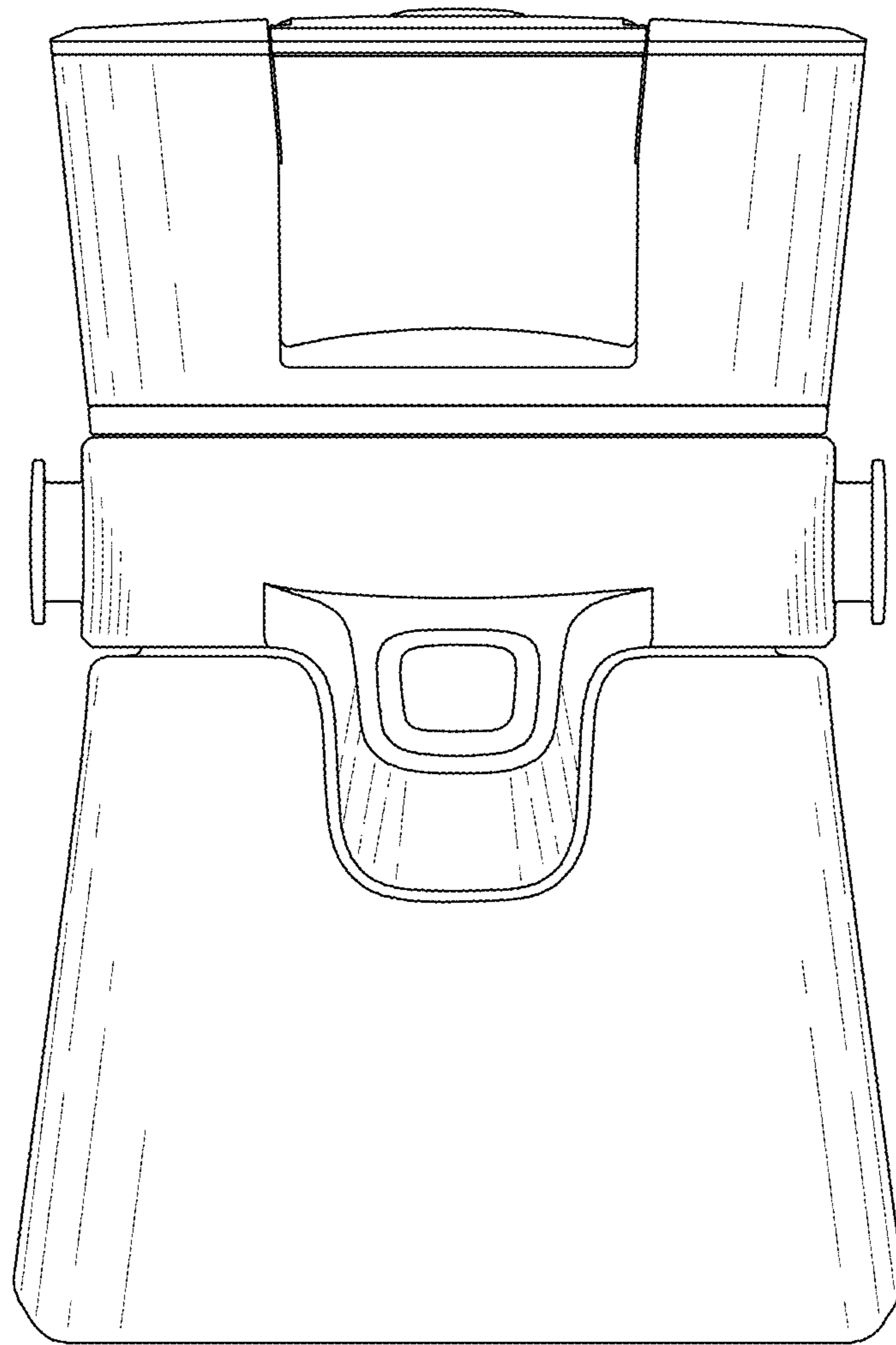


FIG. 5

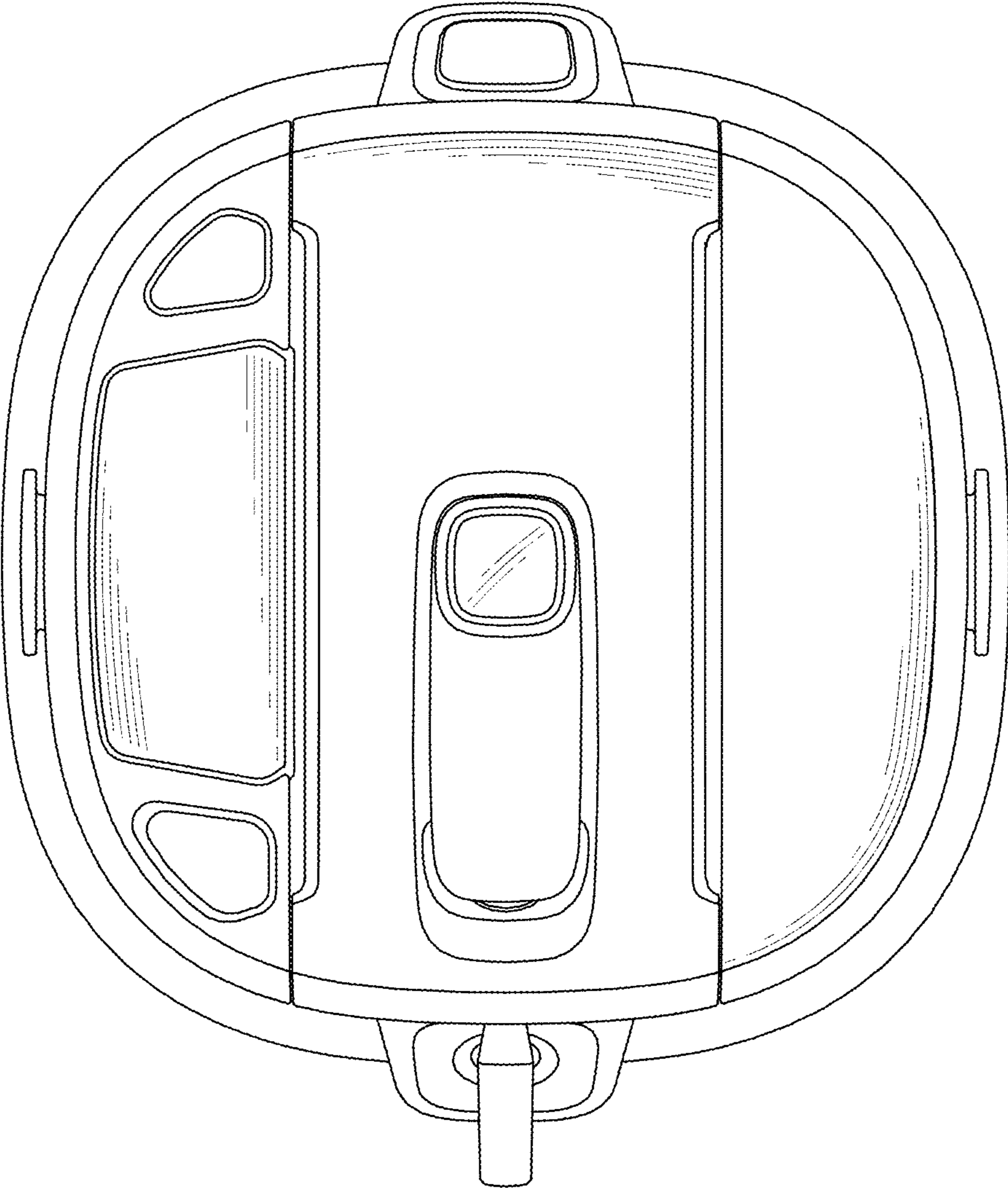


FIG. 6



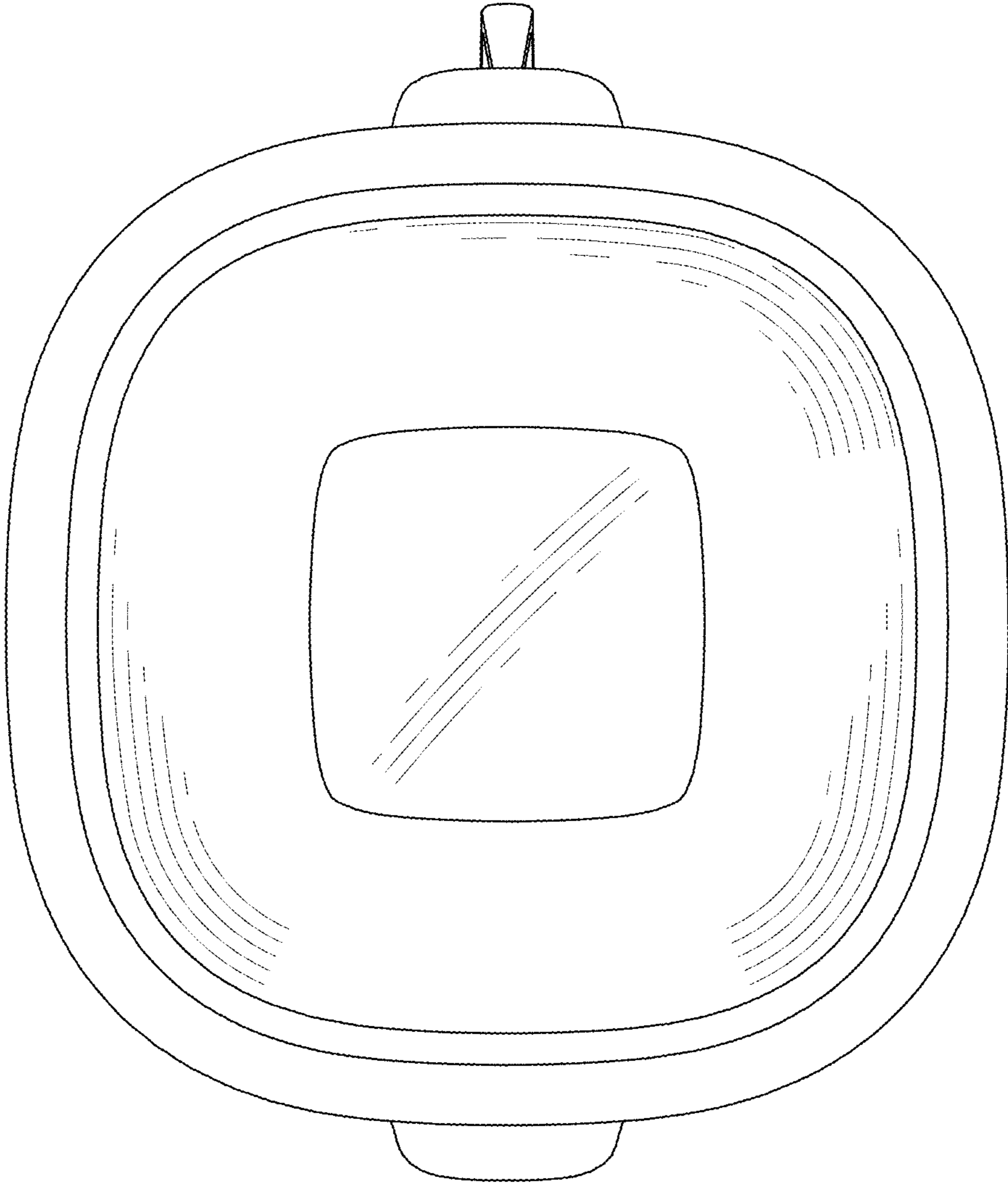


FIG. 7

UNITED STATES PATENT AND TRADEMARK OFFICE  
**CERTIFICATE OF CORRECTION**

PATENT NO. : D1,010,920 S  
APPLICATION NO. : 29/805977  
DATED : January 9, 2024  
INVENTOR(S) : Ravi Kumar Sawhney, Lance Gordon Hussey and Christopher Dean Loock

Page 1 of 1

It is certified that error appears in the above-identified patent and that said Letters Patent is hereby corrected as shown below:

On the Title Page

Item (73) regarding the Assignee listed as:

“ADLSIA LIMITED”

The correct spelling is:

“ADALSIA LIMITED.”

Signed and Sealed this  
Nineteenth Day of March, 2024  
*Katherine Kelly Vidal*

Katherine Kelly Vidal  
*Director of the United States Patent and Trademark Office*