

US0D1010836S

(12) **United States Design Patent** (10) **Patent No.:** **US D1,010,836 S**  
**Li** (45) **Date of Patent:** **\*\* Jan. 9, 2024**

(54) **ELECTRONIC DOUBLE CHIN REDUCER MACHINE**

(71) Applicant: **Jing Li**, Shenzhen (CN)

(72) Inventor: **Jing Li**, Shenzhen (CN)

(\*\*) Term: **15 Years**

(21) Appl. No.: **29/895,388**

(22) Filed: **Jun. 21, 2023**

(51) **LOC (14) Cl.** ..... **24-01**

(52) **U.S. Cl.**  
USPC ..... **D24/200**

(58) **Field of Classification Search**  
USPC ... D24/200, 207, 206, 214, 188, 110.4, 191;  
D21/683, 662, 694  
CPC ..... A61H 15/0092; A45D 44/22;  
A63B 21/4003; A63B 21/00189; A63B  
23/025; A63B 21/4025; A63B 21/065;  
A63B 23/03; A63B 21/0004; A61M  
16/06; A61M 16/0683; A61F 5/05816;  
A61F 5/055; A61F 5/56  
See application file for complete search history.

(56) **References Cited**

**U.S. PATENT DOCUMENTS**

2,357,746	A *	9/1944	Kuss	.....	A63B 21/4025 434/247
2,510,399	A *	6/1950	Harris	.....	A61H 15/0092 D24/188
2,625,155	A *	1/1953	Engelder	.....	A61M 16/06 D24/110.4
2,855,202	A *	10/1958	Kinne	.....	A63B 21/4003 482/10
3,283,755	A *	11/1966	Harden	.....	A45D 44/22 27/25.1
D235,789	S *	7/1975	Eberhardt	.....	D21/683
4,219,193	A	8/1980	Newman		
4,988,093	A *	1/1991	Forrest, Sr.	.....	A63B 23/025 2/909

5,484,359	A *	1/1996	Wabafiyebazu	...	A63B 21/4003 482/121
D403,381	S *	12/1998	Hanna	.....	D21/662
6,231,535	B1 *	5/2001	Mainiero	.....	A61F 5/055 5/636
6,248,043	B1 *	6/2001	Morton	.....	A63B 21/0004 482/124
6,277,053	B1 *	8/2001	Desembrana	.....	A63B 23/03 602/74
6,470,886	B1 *	10/2002	Jestrabek-Hart	.....	A61M 16/0683 128/207.11
6,494,854	B1	12/2002	Visness et al.		
7,000,615	B2 *	2/2006	Taylor-Kennedy	.....	A61F 5/56 128/857
7,090,653	B2	8/2006	Moeller		
D566,799	S *	4/2008	Flavell	.....	D21/683
D617,907	S *	6/2010	Waller	.....	D24/191
8,747,283	B2 *	6/2014	Valakh	.....	A63B 21/00189 482/121

(Continued)

*Primary Examiner* — Rhea Shields  
(74) *Attorney, Agent, or Firm* — Olive Law Group, PLLC

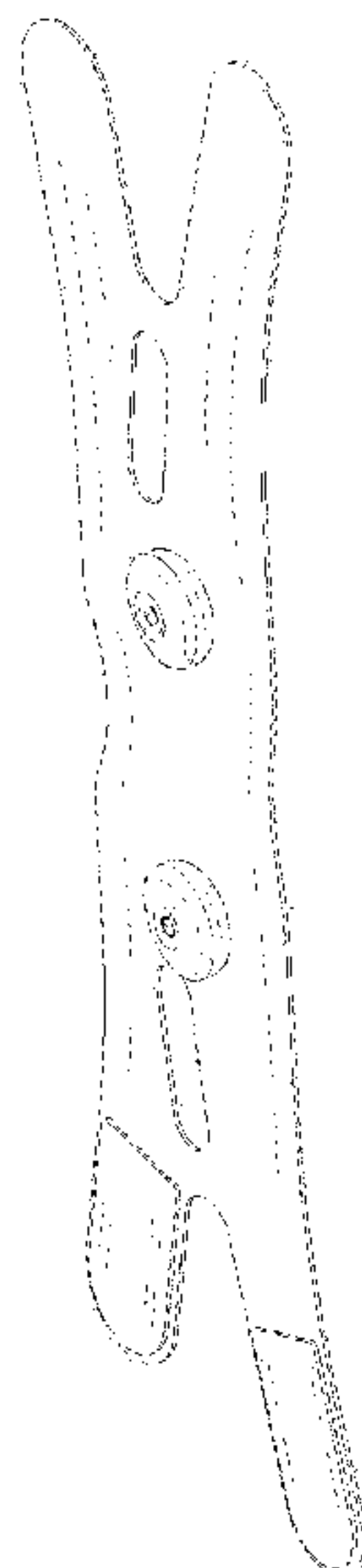
(57) **CLAIM**

The ornamental design for an electronic double chin reducer machine, as shown and described.

**DESCRIPTION**

FIG. 1 is a top, front, left side perspective view of an electronic double chin reducer machine, showing my new design;  
FIG. 2 is a rear, left side perspective view thereof;  
FIG. 3 is a front elevational view thereof;  
FIG. 4 is a rear elevational view thereof;  
FIG. 5 is a left side elevational view thereof;  
FIG. 6 is a right side elevational view thereof;  
FIG. 7 is a top plan view thereof; and,  
FIG. 8 is a bottom plan view thereof.

**1 Claim, 8 Drawing Sheets**



(56)

**References Cited**

U.S. PATENT DOCUMENTS

8,850,625 B2 \* 10/2014 Stiles ..... A42B 3/0473  
2/421  
D723,119 S \* 2/2015 Stewart ..... D21/694  
9,526,944 B2 \* 12/2016 Knies ..... A63B 21/4003  
9,901,775 B2 \* 2/2018 Sykes ..... A63B 21/4003  
9,962,575 B2 \* 5/2018 Askins ..... A63B 23/025  
10,154,697 B2 \* 12/2018 Kasahara ..... A61F 5/05816  
D858,786 S \* 9/2019 Luo ..... D24/214  
11,203,143 B2 12/2021 Diesnis et al.  
2003/0073549 A1 \* 4/2003 Hatch ..... A63B 21/065  
482/92  
2003/0181838 A1 9/2003 Garth  
2005/0101896 A1 5/2005 Calabrese

\* cited by examiner

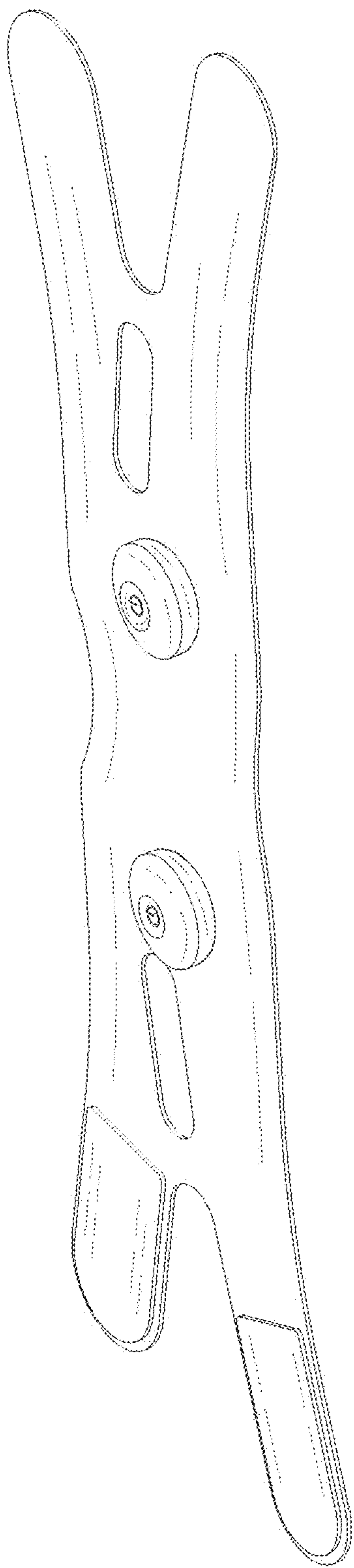


FIG. 1

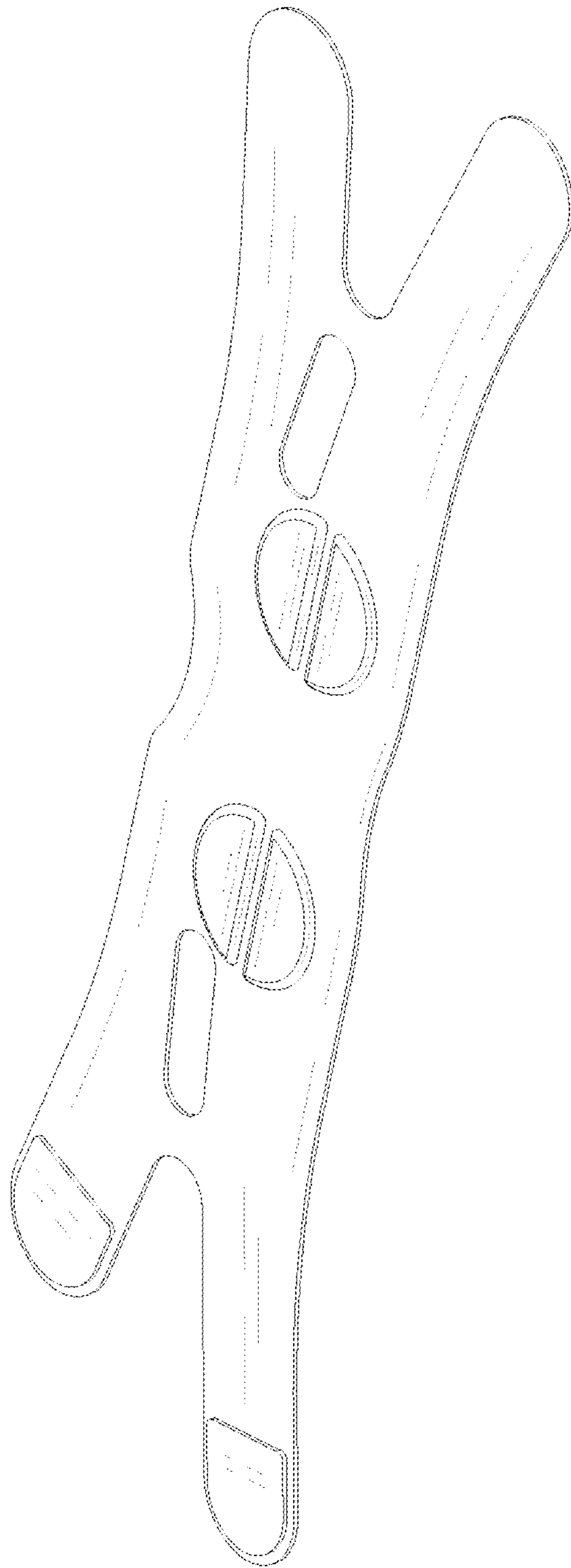


FIG. 2

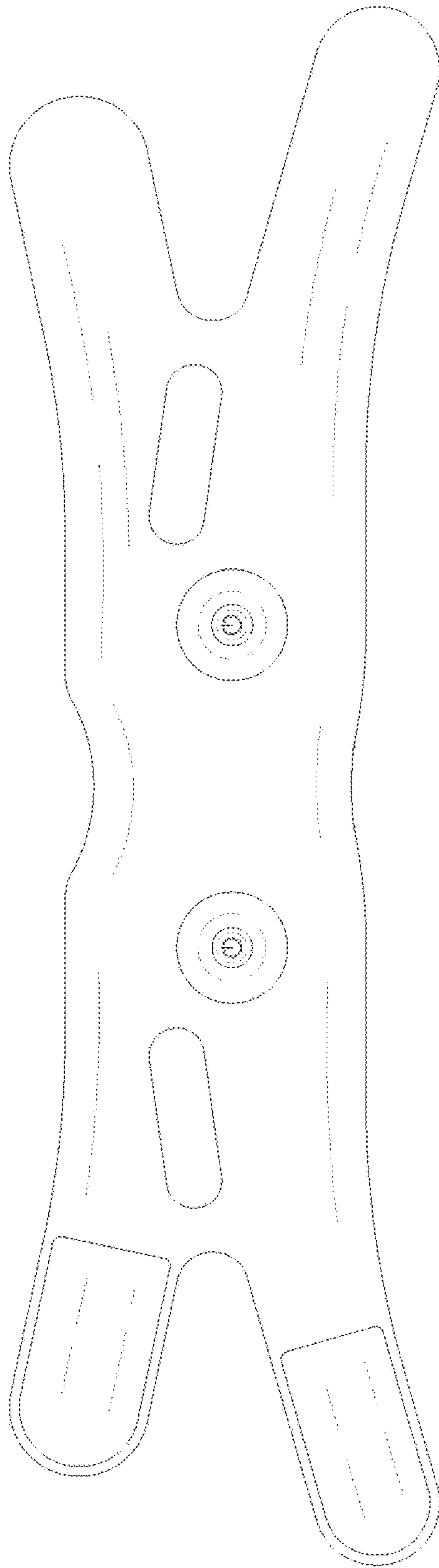


FIG. 3

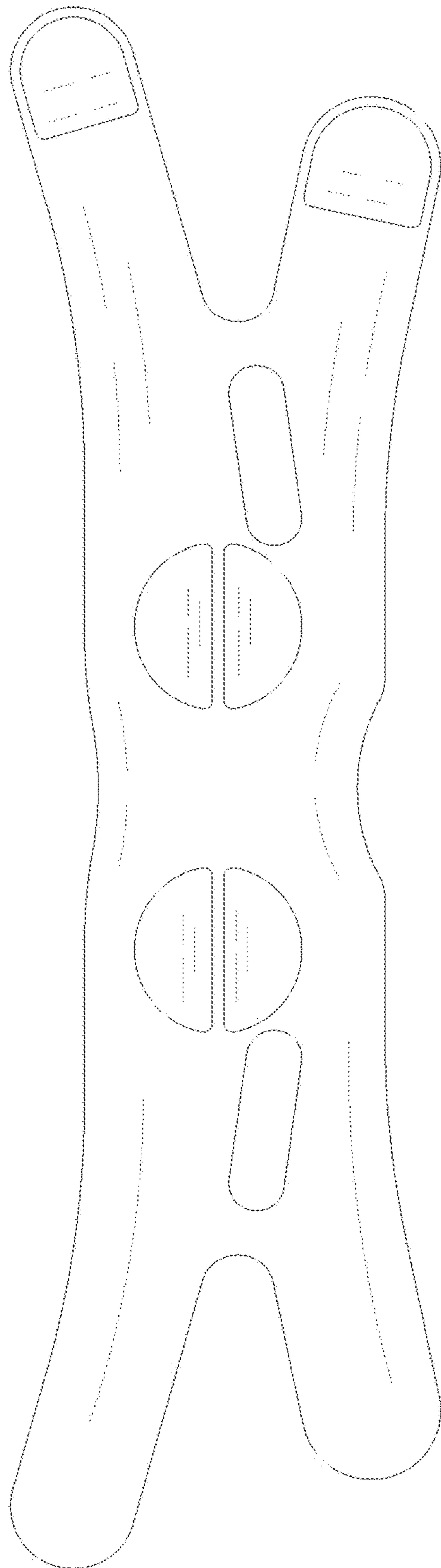


FIG. 4

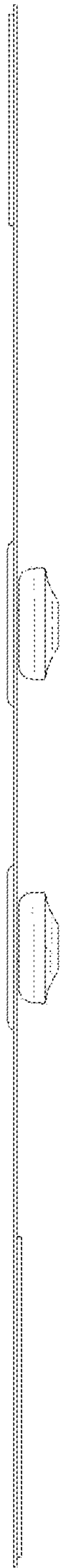


FIG. 5



FIG. 6



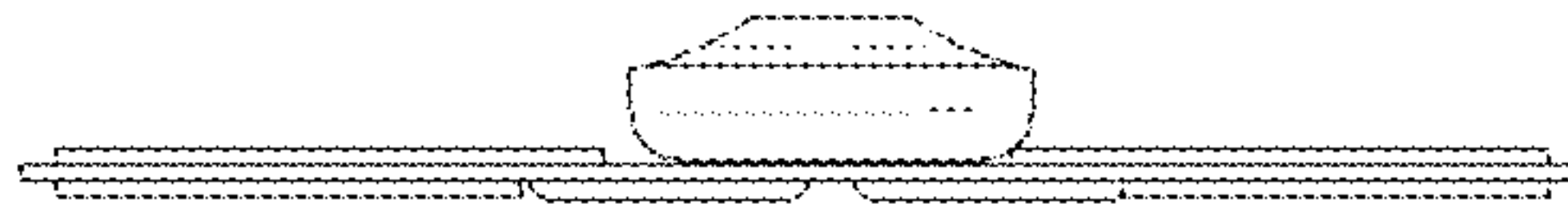


FIG. 7

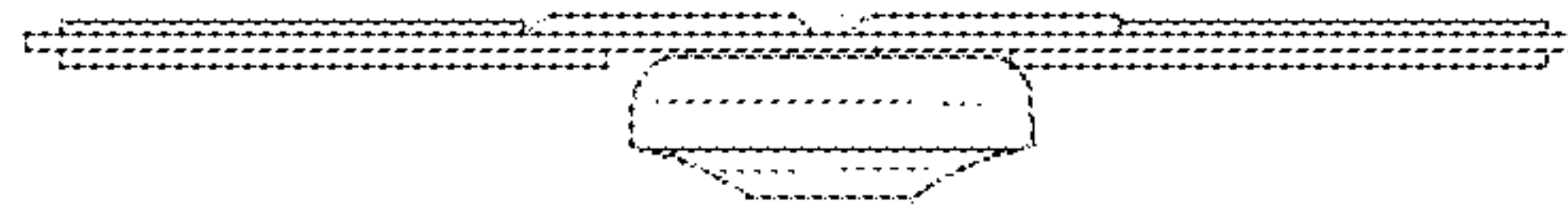


FIG. 8