



US0D1010601S

(12) **United States Design Patent**  
**Hayafune**

(10) **Patent No.:** **US D1,010,601 S**

(45) **Date of Patent:** **\*\* Jan. 9, 2024**

(54) **RADIO BASE STATION**

(71) Applicant: **NEC Corporation**, Tokyo (JP)

(72) Inventor: **Tomohiro Hayafune**, Kawasaki (JP)

(73) Assignee: **NEC CORPORATION**, Tokyo (JP)

(\*\*) Term: **15 Years**

(21) Appl. No.: **29/821,500**

(22) Filed: **Dec. 30, 2021**

(30) **Foreign Application Priority Data**

Jul. 16, 2021 (JP) ..... 2021-015518 D

(51) **LOC (14) Cl.** ..... **14-03**

(52) **U.S. Cl.**  
USPC ..... **D14/155**

(58) **Field of Classification Search**  
USPC ..... D14/167, 154, 168, 188, 496, 156, 160,  
D14/161, 162, 163, 164, 165, 158, 341,  
D14/346, 342, 345, 155, 218, 225;  
D16/208; D26/38; 455/351, 350, 575.1,  
455/556.1; D10/104, 106, 65, 57  
CPC ... H04W 52/02; H04W 72/044; H04W 72/23;  
H04L 5/0094  
See application file for complete search history.

(56) **References Cited**

**U.S. PATENT DOCUMENTS**

D281,974 S \* 12/1985 Suzuki ..... D14/138 R  
D298,133 S \* 10/1988 Tokiyama ..... D14/157

D314,572 S \* 2/1991 Dickson ..... D14/137  
D395,897 S \* 7/1998 Honma ..... D13/184  
D533,534 S \* 12/2006 Brown ..... D14/155  
D556,183 S \* 11/2007 Kesler ..... D14/155  
D629,785 S \* 12/2010 Yachida ..... D14/188  
D659,668 S \* 5/2012 Neumann ..... D14/155  
D754,665 S \* 4/2016 Zhang ..... D14/432  
D783,623 S \* 4/2017 Crisp ..... D14/432  
D861,693 S \* 10/2019 Ranade ..... D14/432  
D866,562 S \* 11/2019 Konovalov ..... D14/439  
D881,193 S \* 4/2020 Konovalov ..... D14/439

**OTHER PUBLICATIONS**

U.S. Appl. No. 29/821,505, filed Dec. 30, 2021, Hayafune.

\* cited by examiner

*Primary Examiner* — Austin Murphy  
(74) *Attorney, Agent, or Firm* — BUCHANAN  
INGERSOLL & ROONEY PC

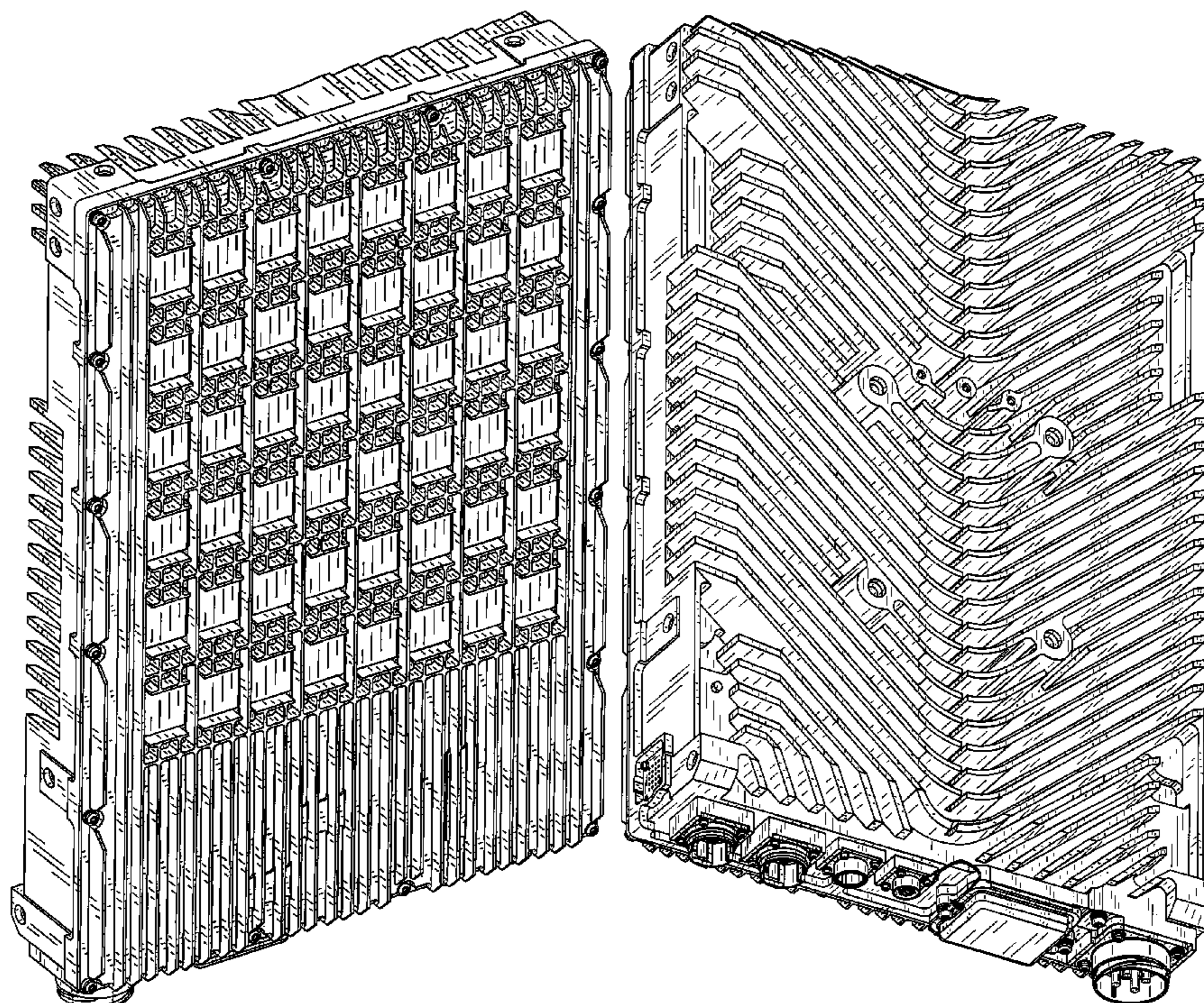
(57) **CLAIM**

The ornamental design for a radio base station, as shown and described.

**DESCRIPTION**

FIG. 1 is a front, left side, top perspective view of a radio base station showing my new design;  
FIG. 2 is a front elevational view thereof;  
FIG. 3 is a rear elevational view thereof;  
FIG. 4 is a left side view thereof;  
FIG. 5 is a right side view thereof;  
FIG. 6 is a top plan view thereof;  
FIG. 7 is a bottom plan view thereof; and,  
FIG. 8 is a rear, right side, bottom perspective view thereof.

**1 Claim, 7 Drawing Sheets**



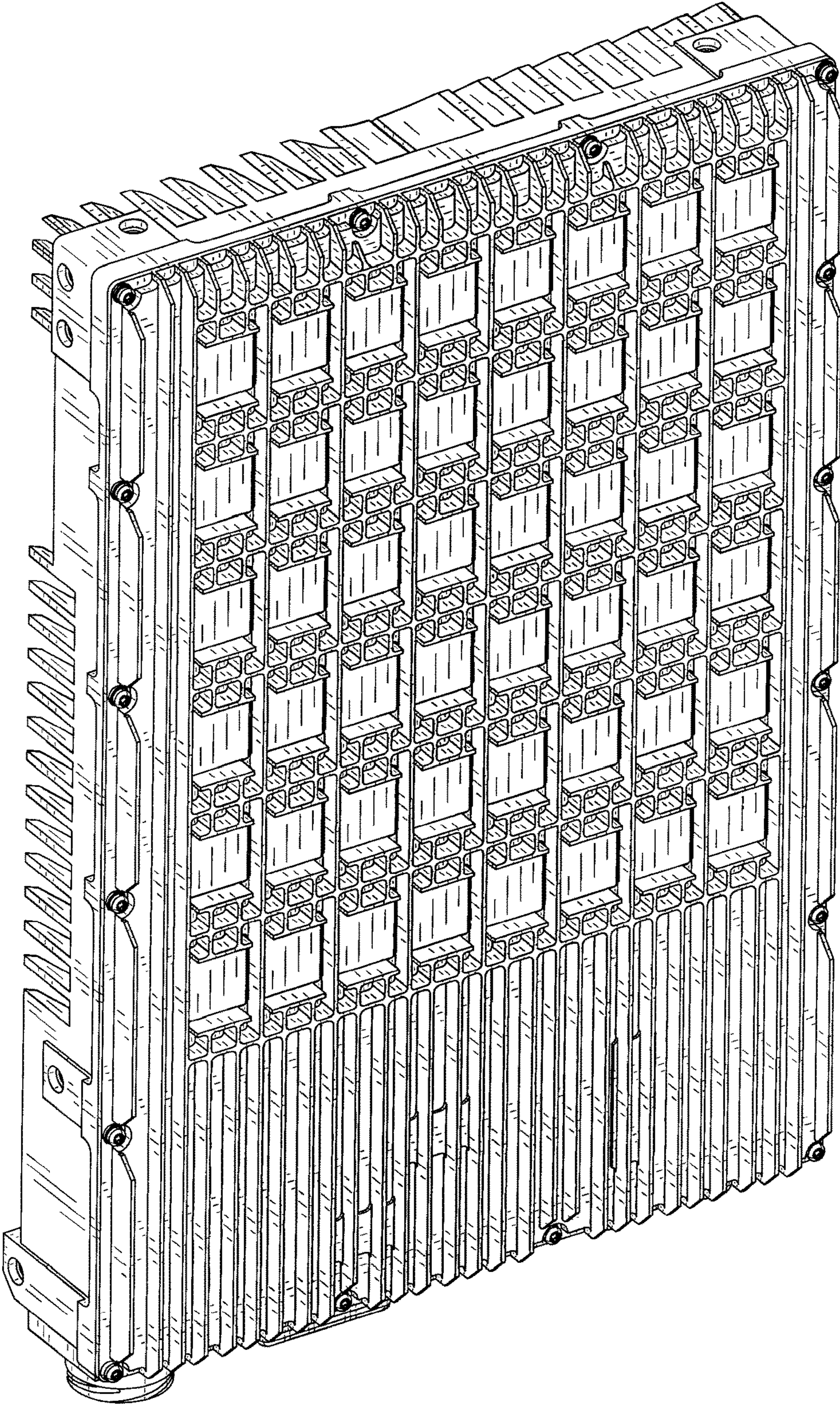


FIG. 1

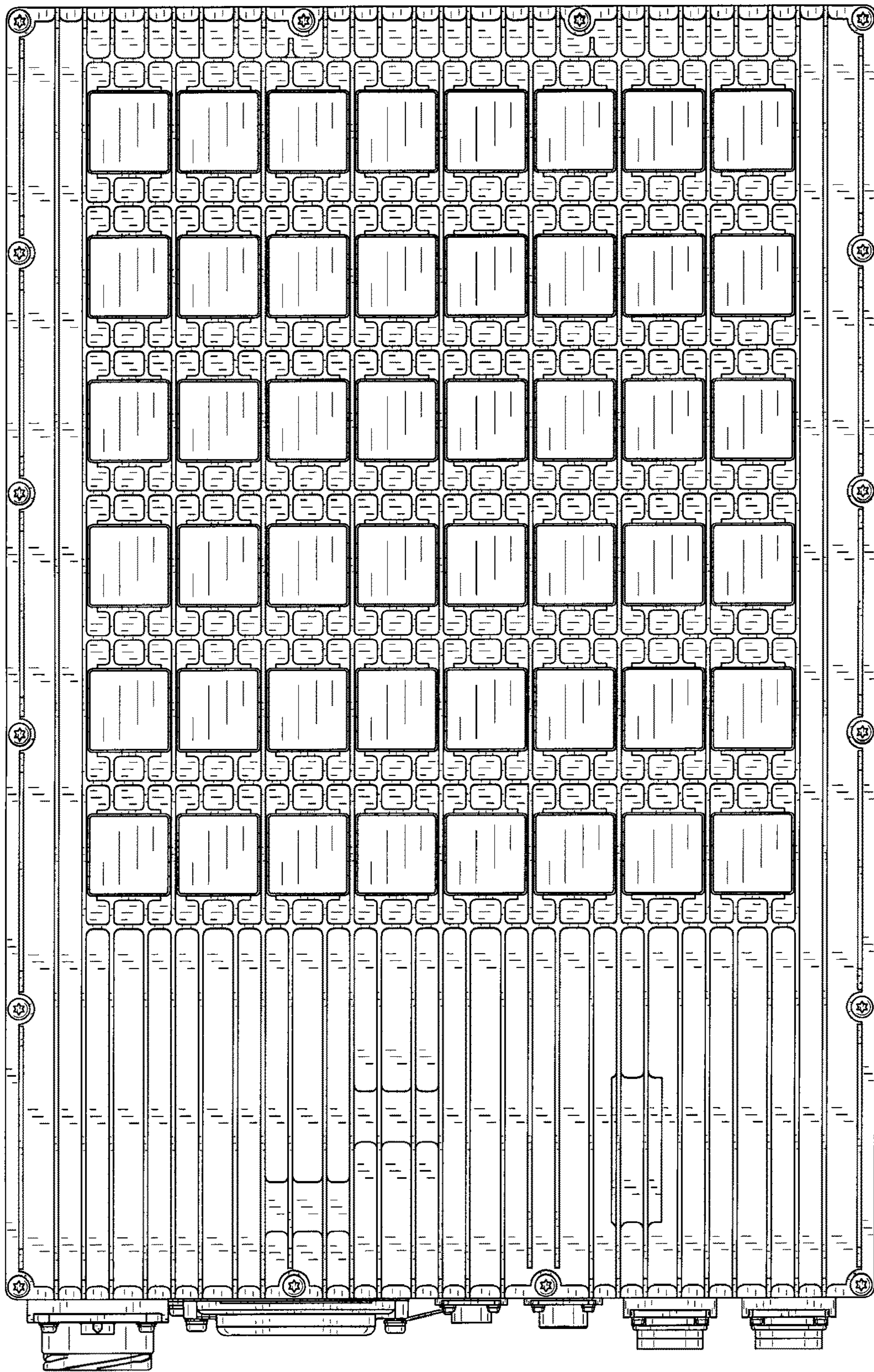


FIG. 2

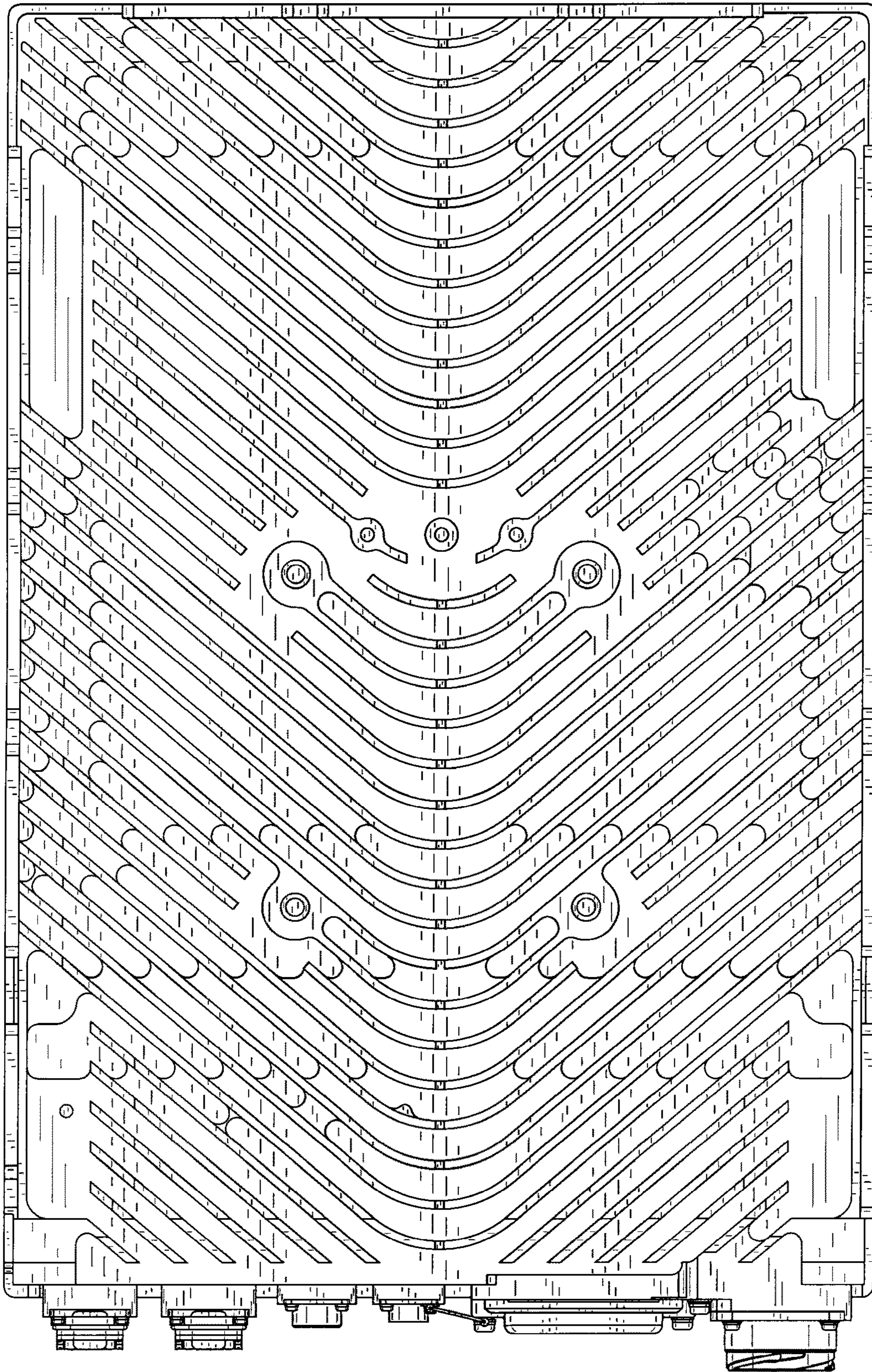


FIG. 3

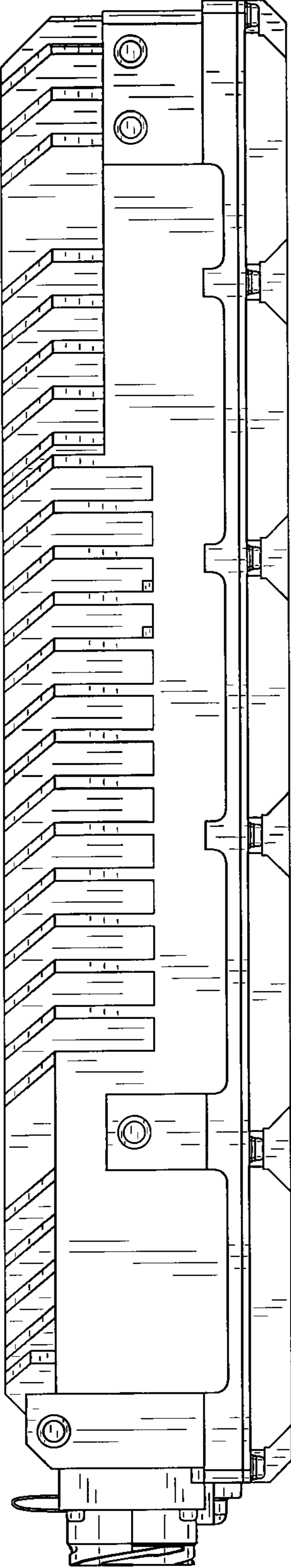


FIG. 4

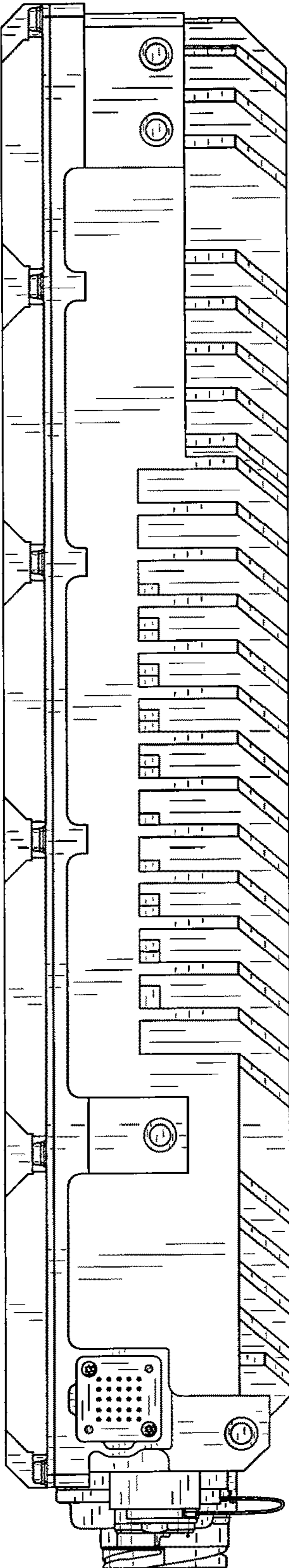


FIG. 5

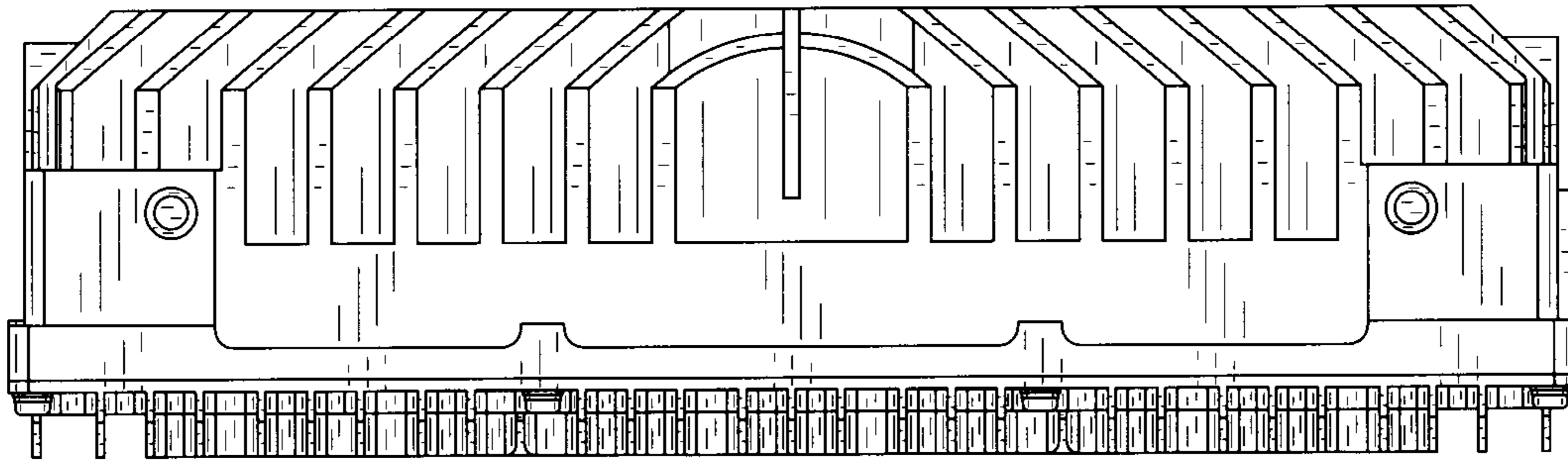


FIG. 6

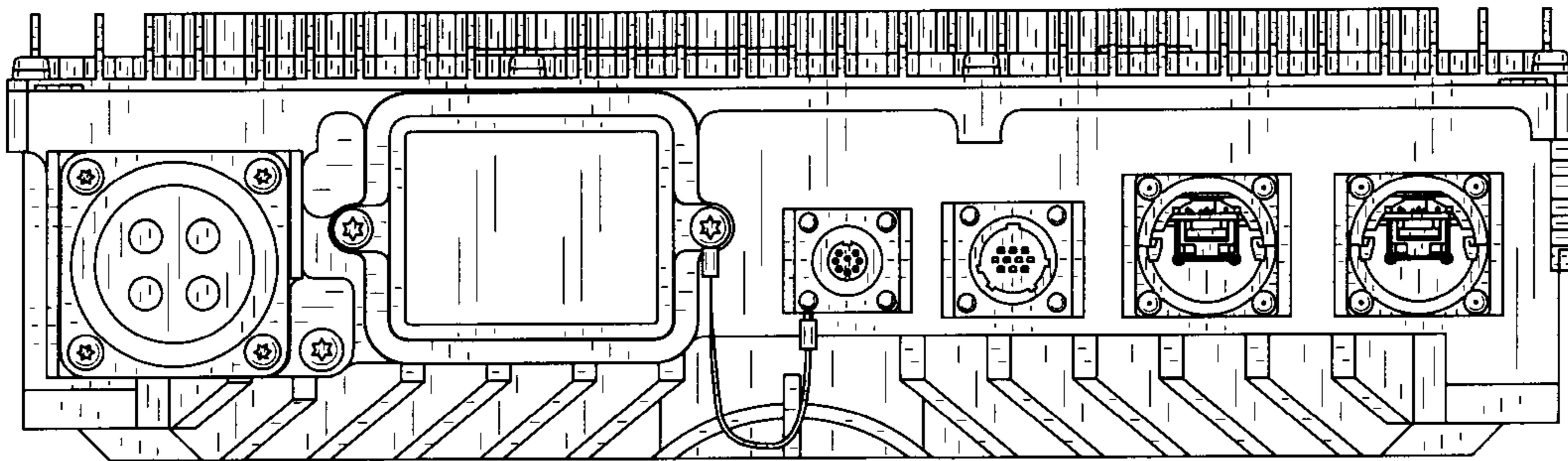


FIG. 7

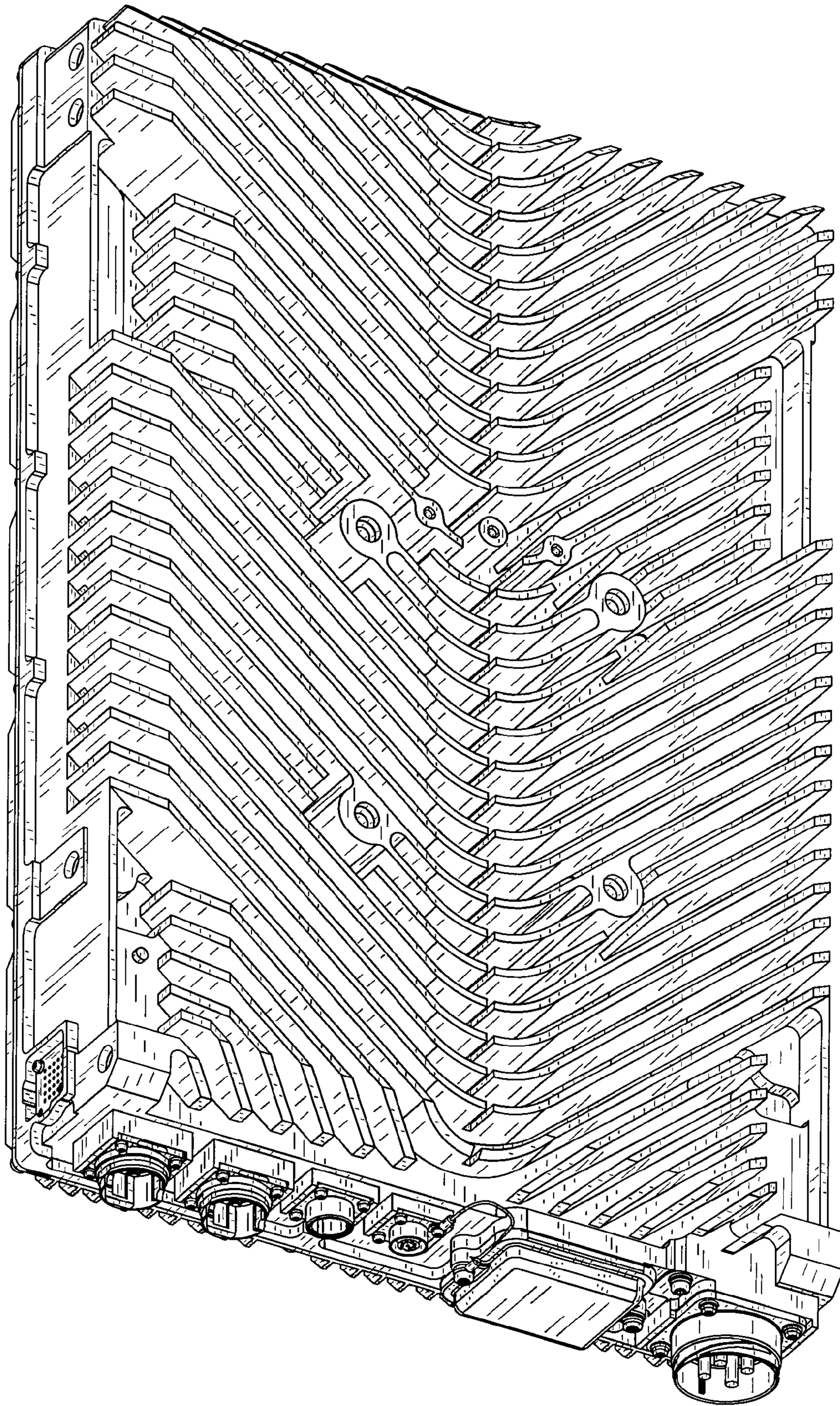


FIG. 8