



US0D1010544S

(12) **United States Design Patent** (10) **Patent No.:** **US D1,010,544 S**  
**Lewis et al.** (45) **Date of Patent:** **\*\* Jan. 9, 2024**

(54) **CONVERTIBLE TOP**

(71) Applicant: **Bestop, Inc.**, Louisville, CO (US)

(72) Inventors: **Stephen J. Lewis**, Harrison Township, MI (US); **Charles C. Turney**, Toledo, OH (US); **Eric J. Hanson**, Dearborn, MI (US); **Edward S. Piec**, Warren, MI (US); **Brandon Kincaid**, Curtice, OH (US)

(73) Assignee: **Bestop Inc.**, Louisville, CO (US)

(\*\*) Term: **15 Years**

(21) Appl. No.: **29/839,117**

(22) Filed: **May 18, 2022**

(51) **LOC (14) Cl.** ..... **12-16**

(52) **U.S. Cl.**  
USPC ..... **D12/403**

(58) **Field of Classification Search**  
USPC ..... D12/401-405; D6/610, 611, 596, 601, D6/602, 603, 615, 617, 621; D7/332, D7/334-337

CPC ..... B65D 85/68; B65D 31/16; B65D 33/02; B60R 5/04; B60R 5/045; B60P 7/04

See application file for complete search history.

(56) **References Cited**

U.S. PATENT DOCUMENTS

D304,167 S	*	10/1989	Eash	.....	D12/403
D304,568 S	*	11/1989	Furphy	.....	D12/403
D310,806 S	*	9/1990	Hertzberg	.....	D12/403
D311,165 S	*	10/1990	Moore	.....	D12/403

(Continued)

Primary Examiner — Katrina A Betton

(74) *Attorney, Agent, or Firm* — Warn Partners, P.C.

(57) **CLAIM**

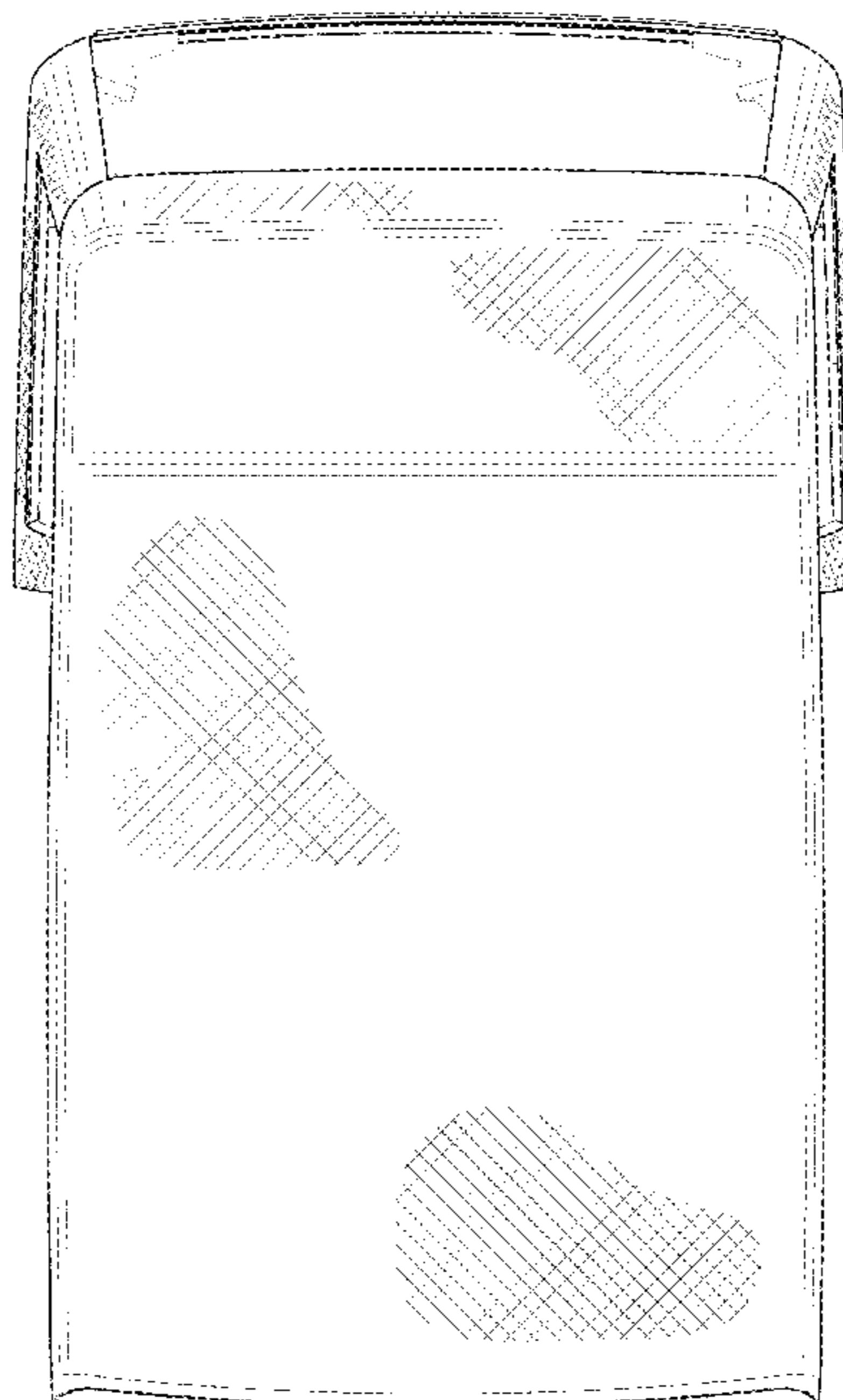
The design for a convertible top, as shown and described.

**DESCRIPTION**

FIG. 1 is a top left side perspective view of the convertible top;  
 FIG. 2 is a top right side perspective view of the convertible top;  
 FIG. 3 is a front side elevational view of the convertible top;  
 FIG. 4 is a rear side elevational view of the convertible top;  
 FIG. 5 is a right side elevational view of the convertible top;  
 FIG. 6 is a left side elevational view of the convertible top;  
 FIG. 7 is a top side plan view of the convertible top;  
 FIG. 8 is a bottom side plan view of the convertible top;  
 FIG. 9 is a top rear left side perspective view of the convertible top in the folded position;  
 FIG. 10 is a top front left side perspective view of the convertible top in the folded position;  
 FIG. 11 is a top rear right side perspective view of the convertible top in the folded position;  
 FIG. 12 is a top rear right side perspective view of the convertible top in the folded position;  
 FIG. 13 is a front elevational view of the convertible top in the folded position;  
 FIG. 14 is a rear elevational view of the convertible top in the folded position;  
 FIG. 15 is right side elevational view of the convertible top in the folded position;  
 FIG. 16 is left side elevational view of the convertible top in the folded position;  
 FIG. 17 is a top side plan view of the convertible top in the folded position; and,  
 FIG. 18 is a bottom side plan view of the convertible top in the folded position.

Portions of the vehicle roof and convertible top are shown in broken lines for illustrative purposes only and form no part of the claimed design.

**1 Claim, 16 Drawing Sheets**



(56)

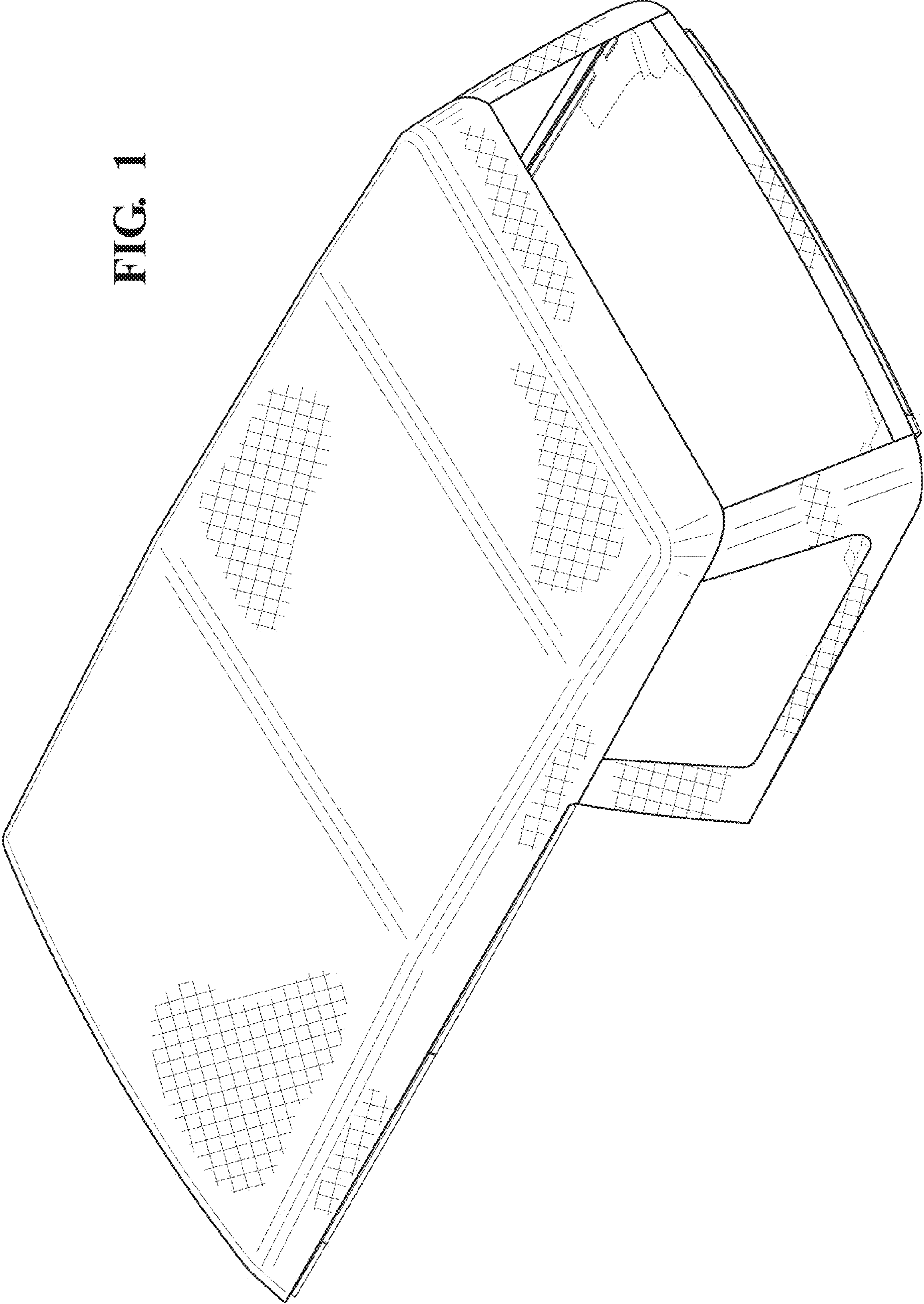
**References Cited**

U.S. PATENT DOCUMENTS

D322,055	S *	12/1991	Bruce	.....	D12/403
D327,463	S *	6/1992	Williams	.....	D12/403
D333,646	S *	3/1993	Levy	.....	D12/403
D342,707	S *	12/1993	Fields	.....	D12/403
D384,324	S *	9/1997	Barker	.....	D12/401
D388,049	S *	12/1997	Reardon	.....	D12/403
7,118,160	B2 *	10/2006	Willard	.....	B60J 7/1265
					296/121
10,065,486	B2 *	9/2018	Smith	.....	B60J 7/1291
D962,150	S *	8/2022	Davis, Jr.	.....	D12/403

\* cited by examiner

FIG. 1



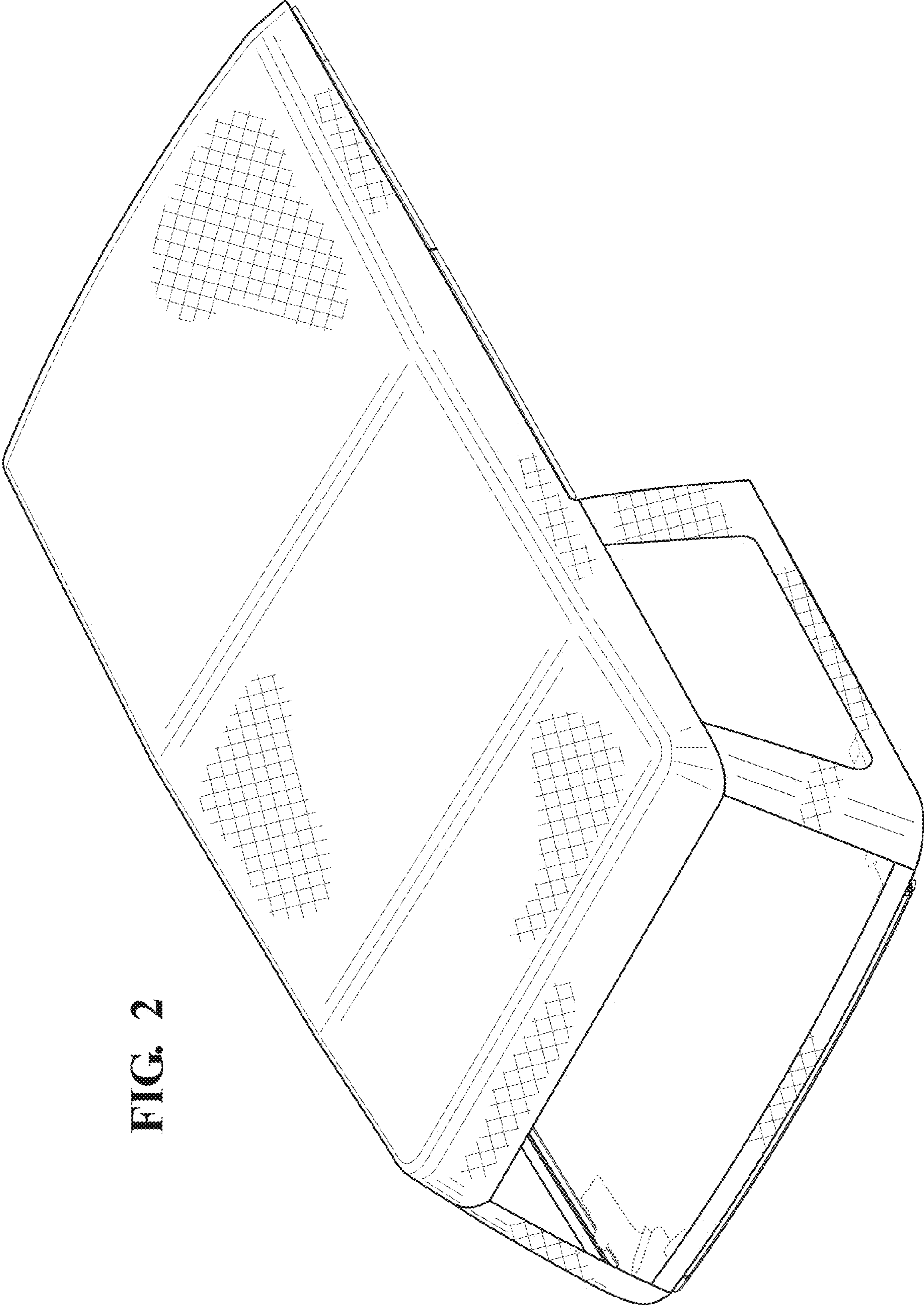


FIG. 2

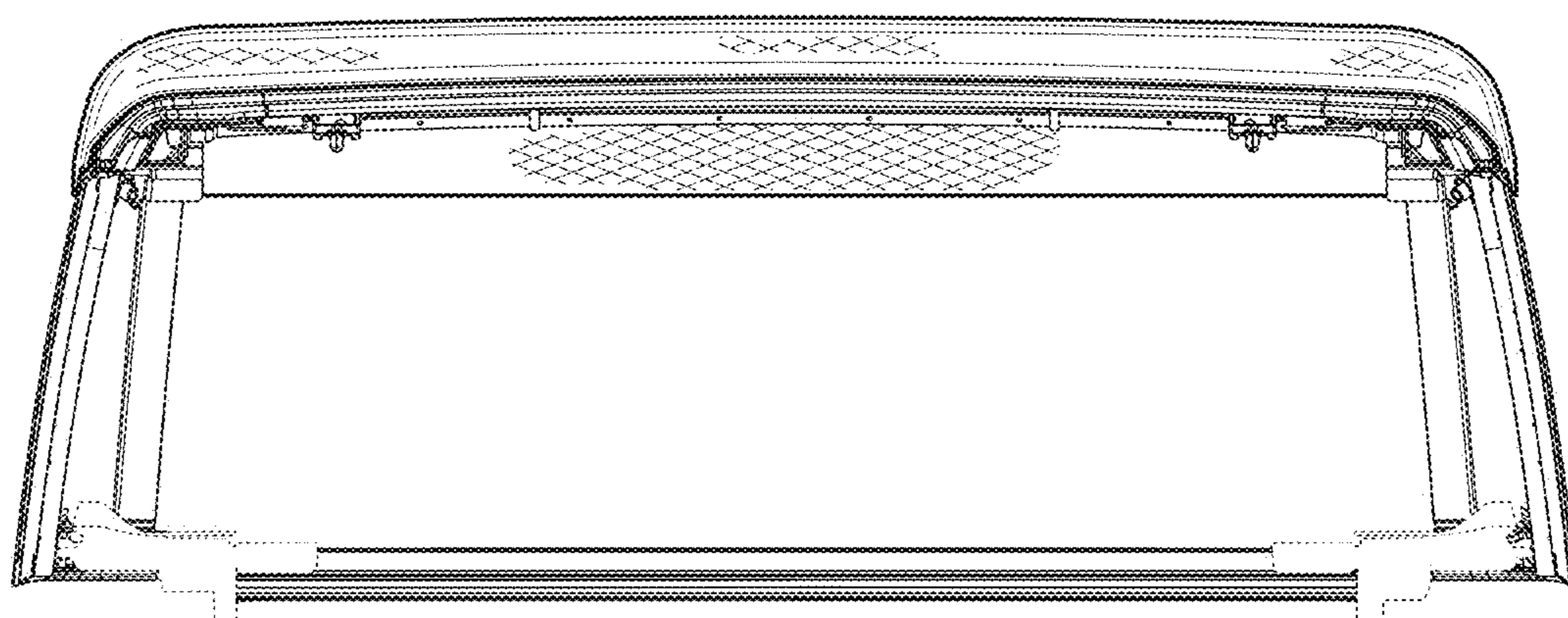


FIG. 3

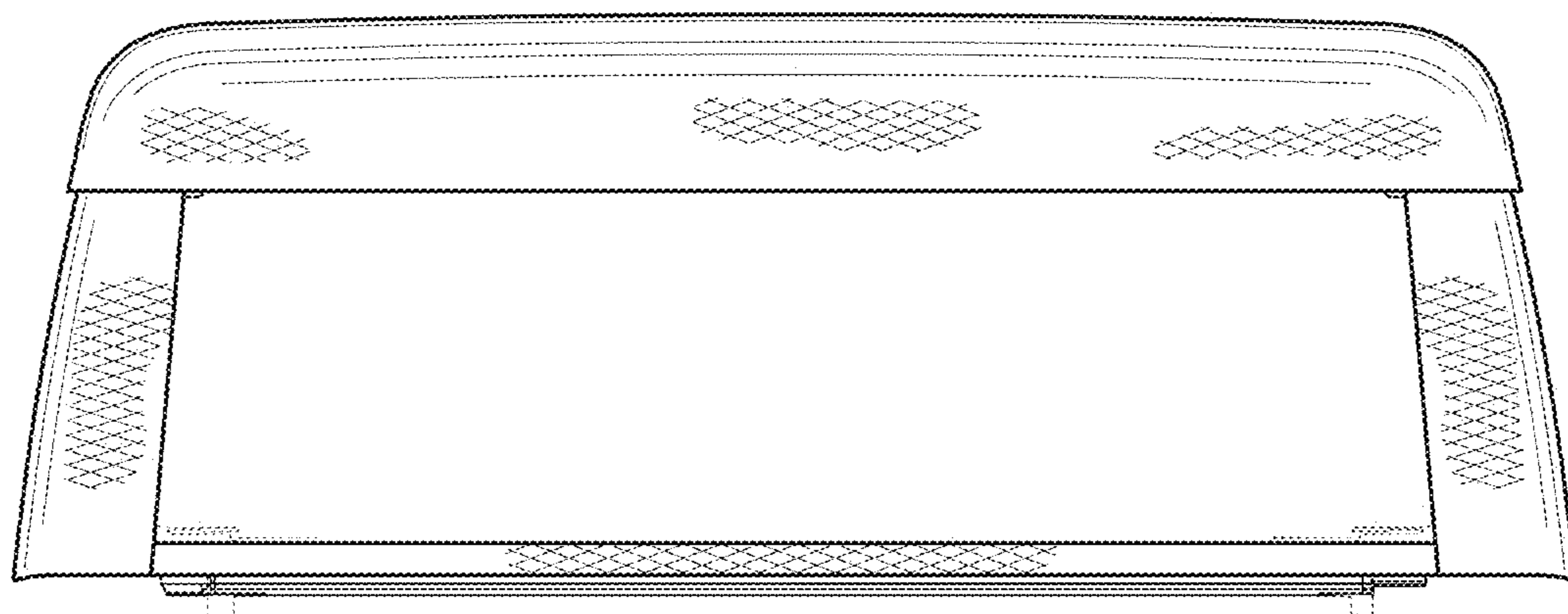


FIG. 4

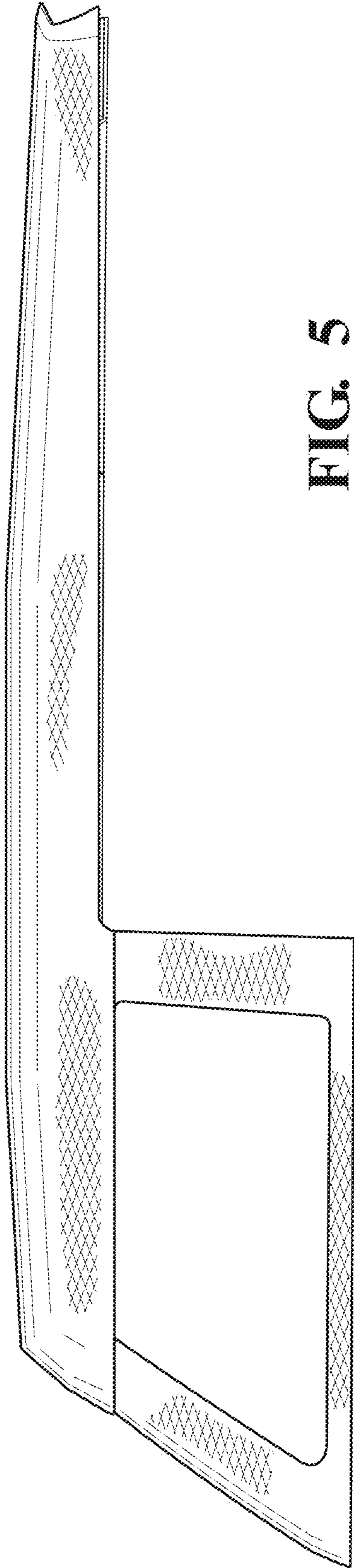


FIG. 5

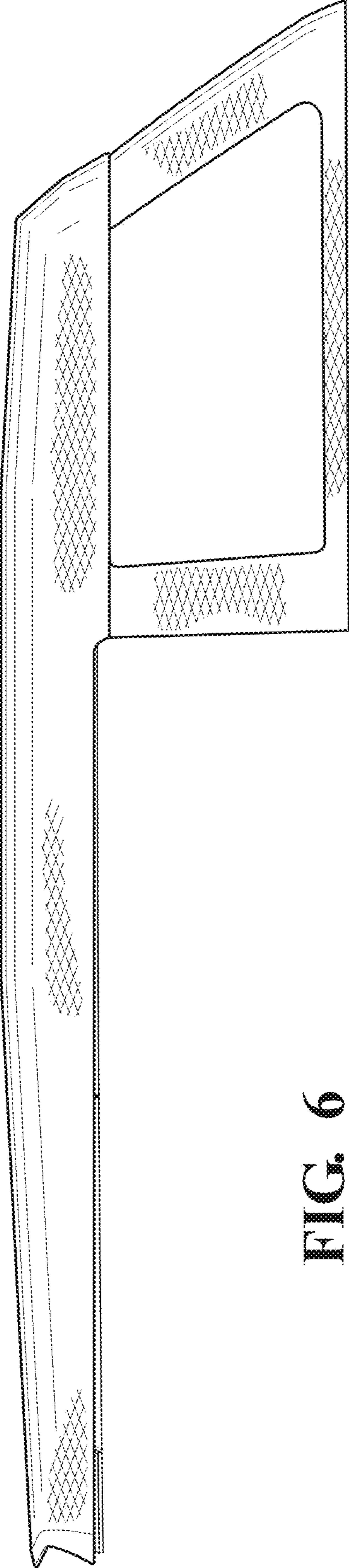


FIG. 6

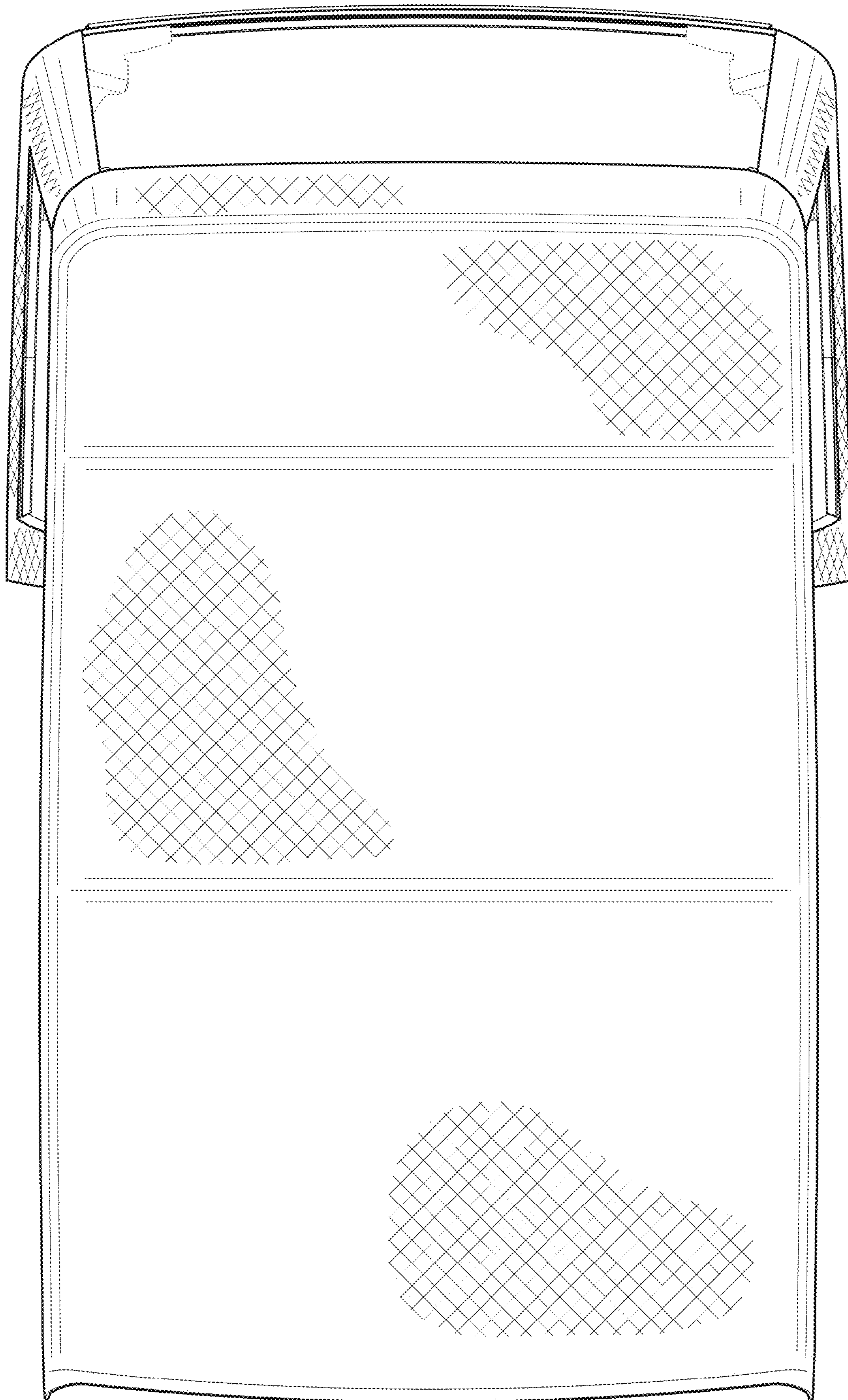


FIG. 7



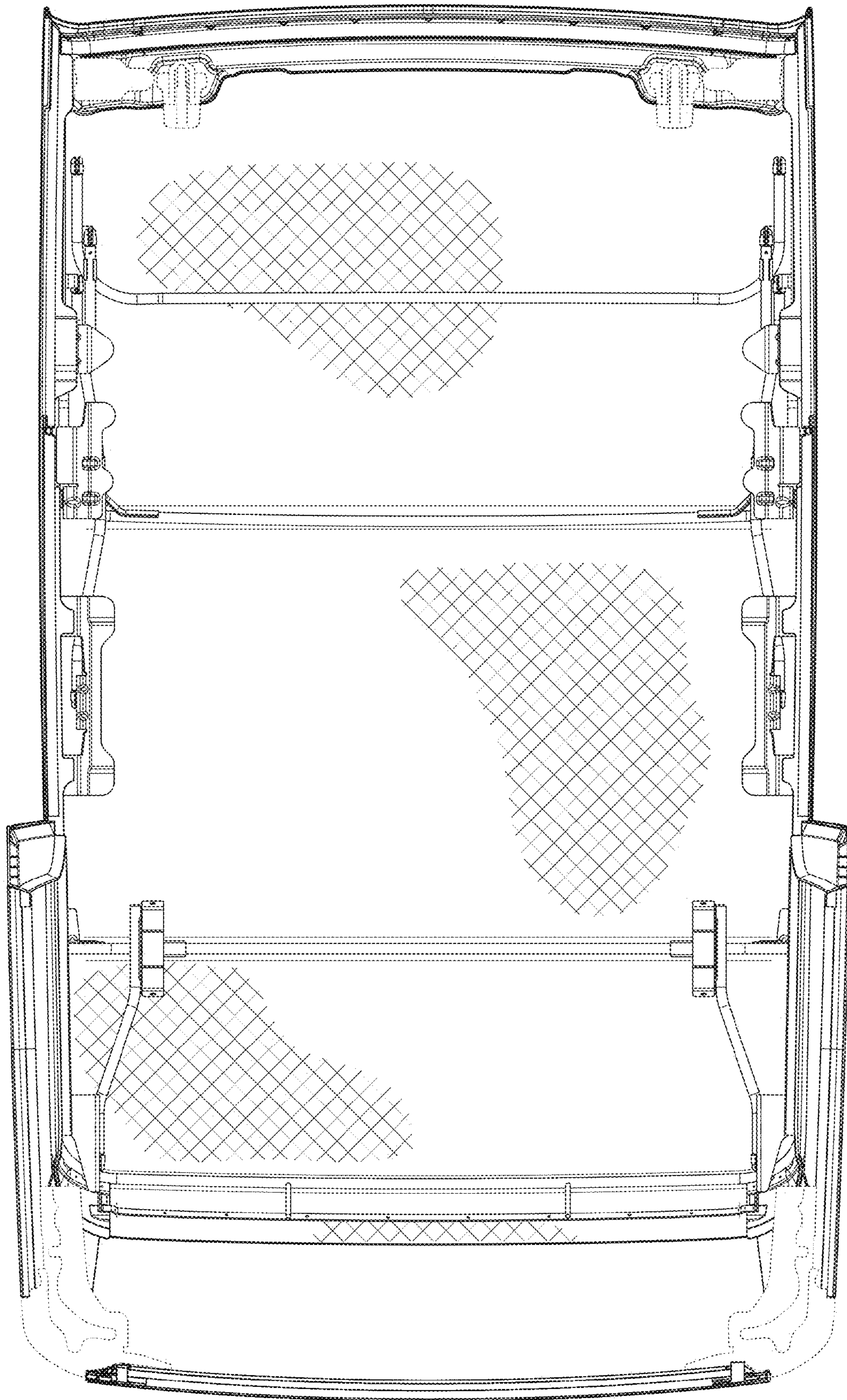


FIG. 8

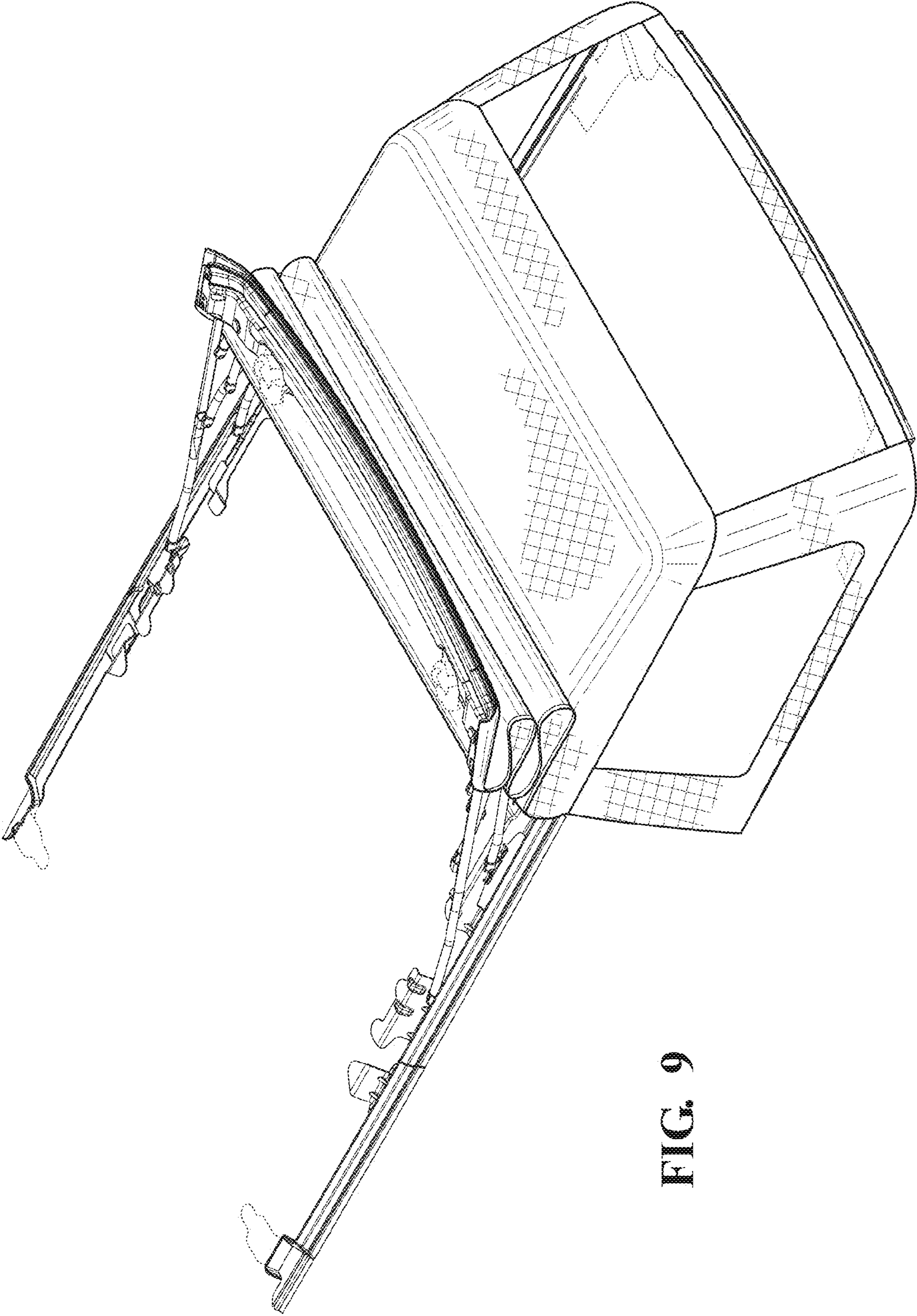


FIG. 9

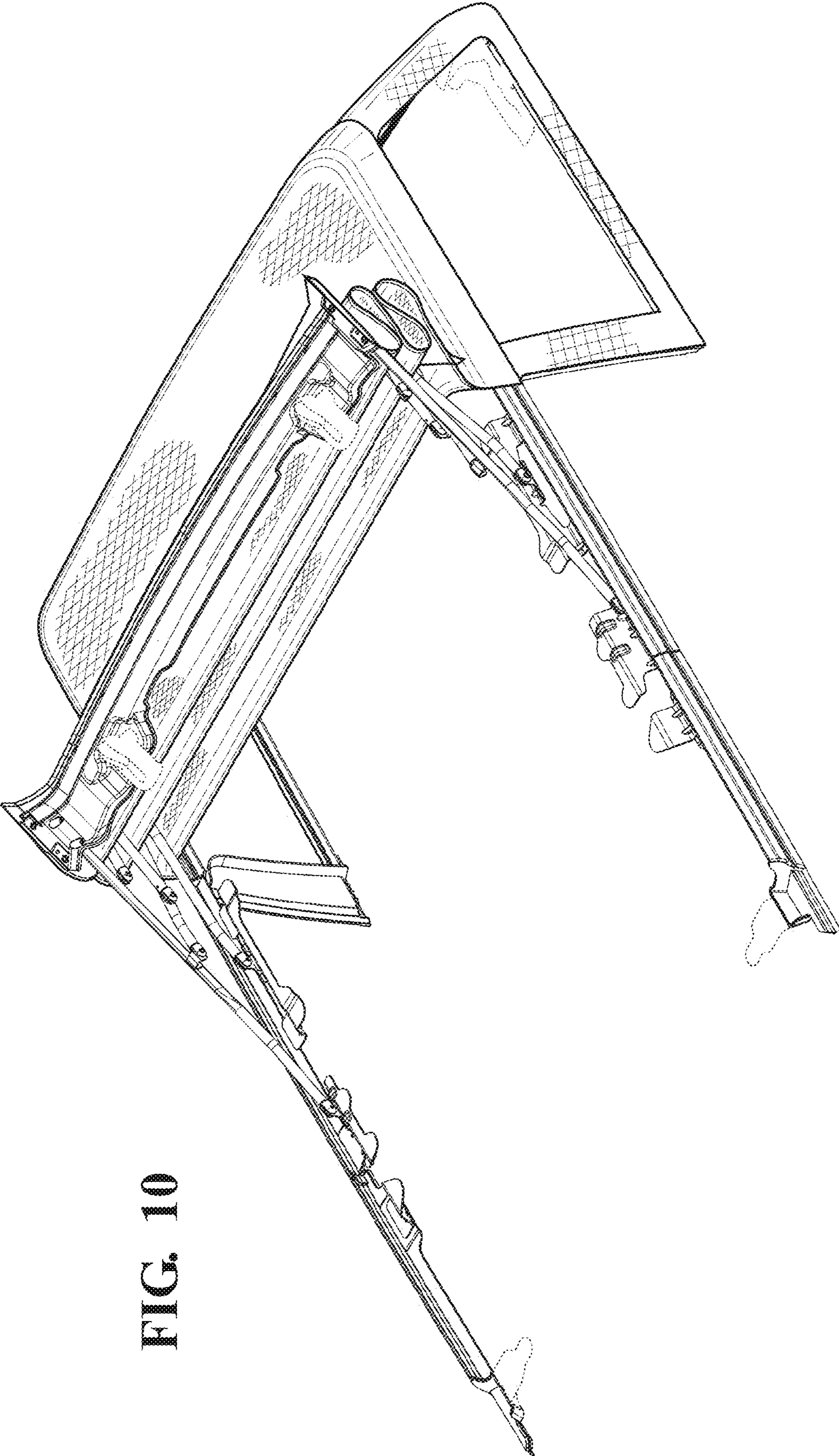


FIG. 10

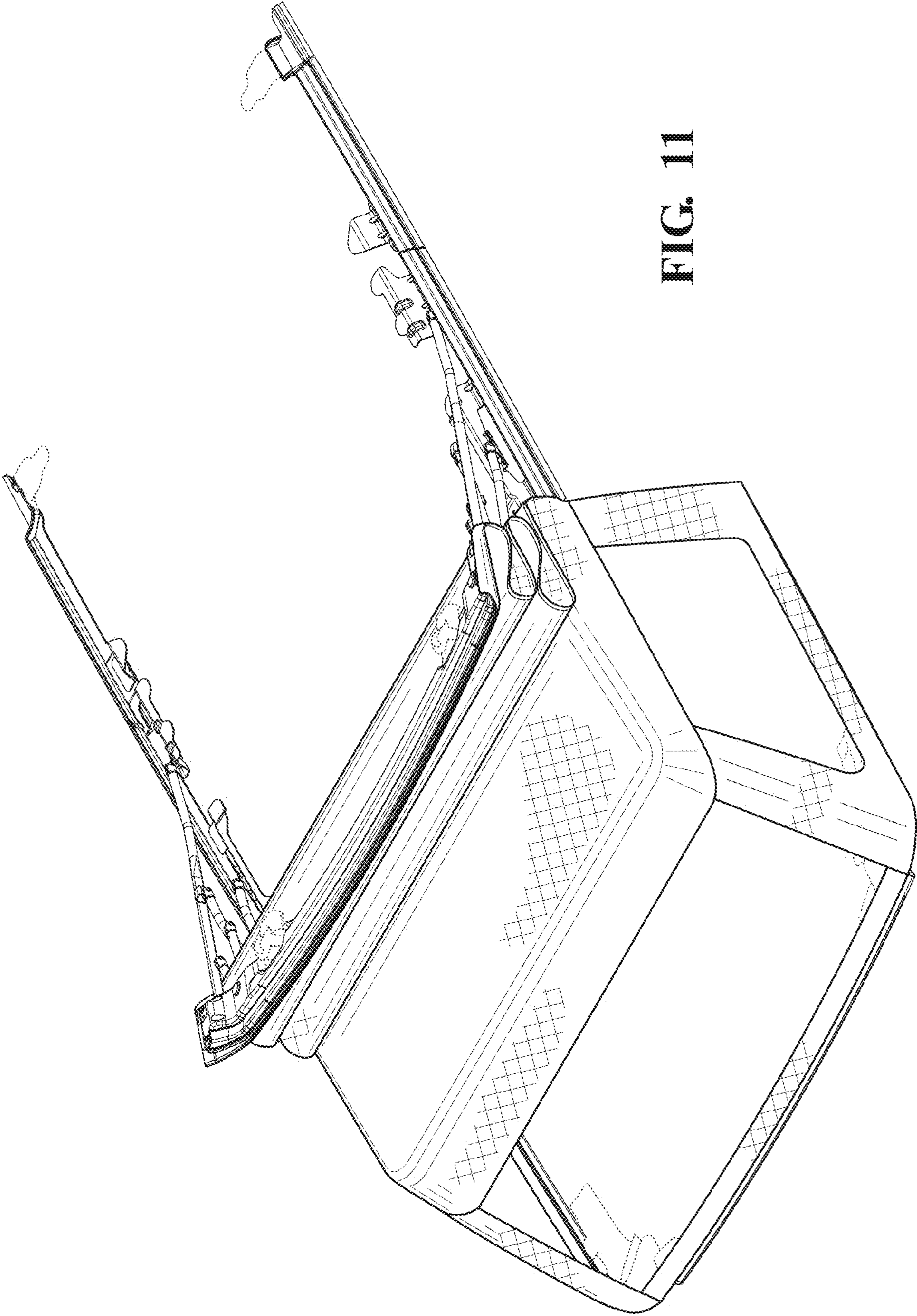
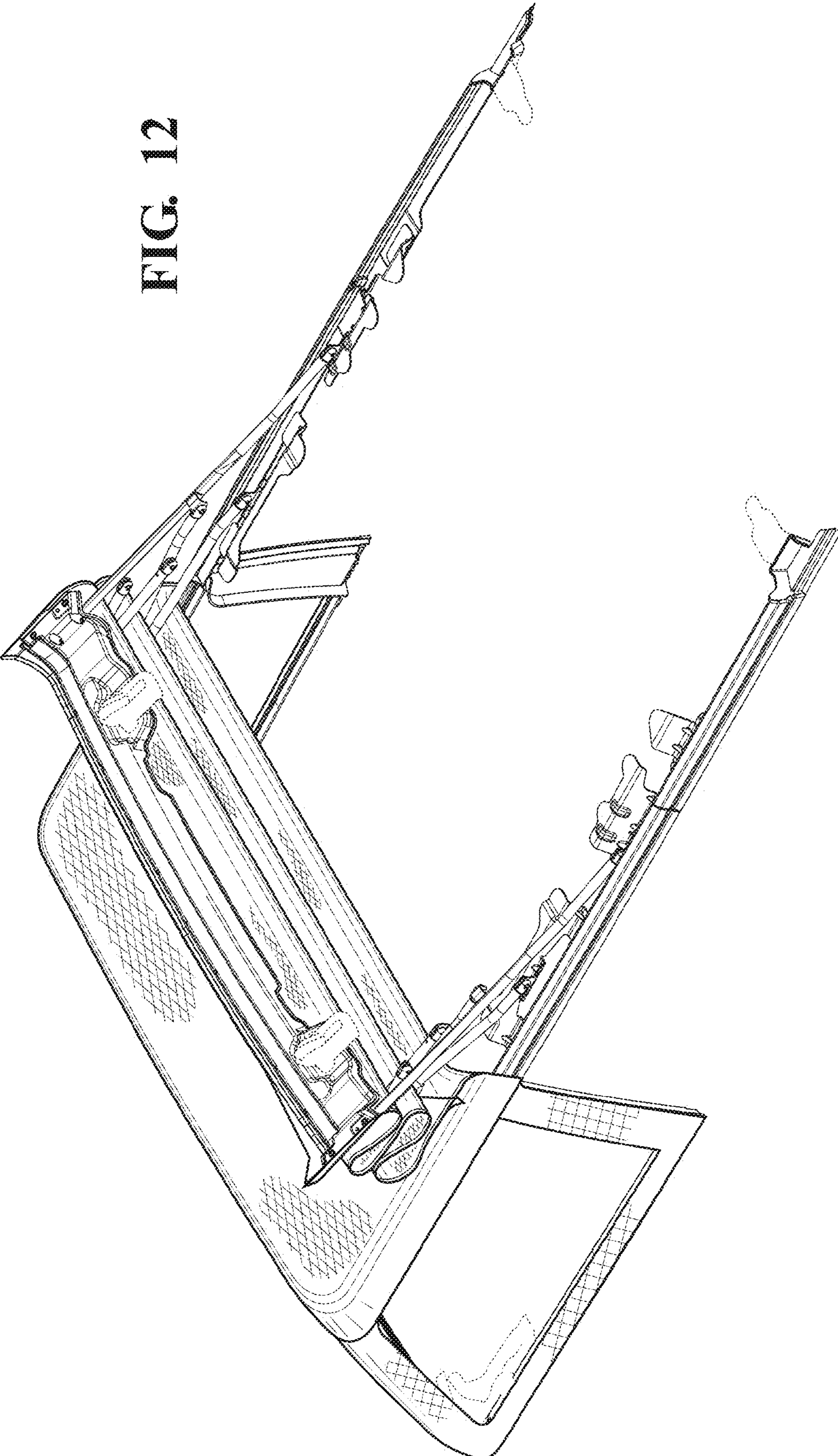


FIG. 11

FIG. 12



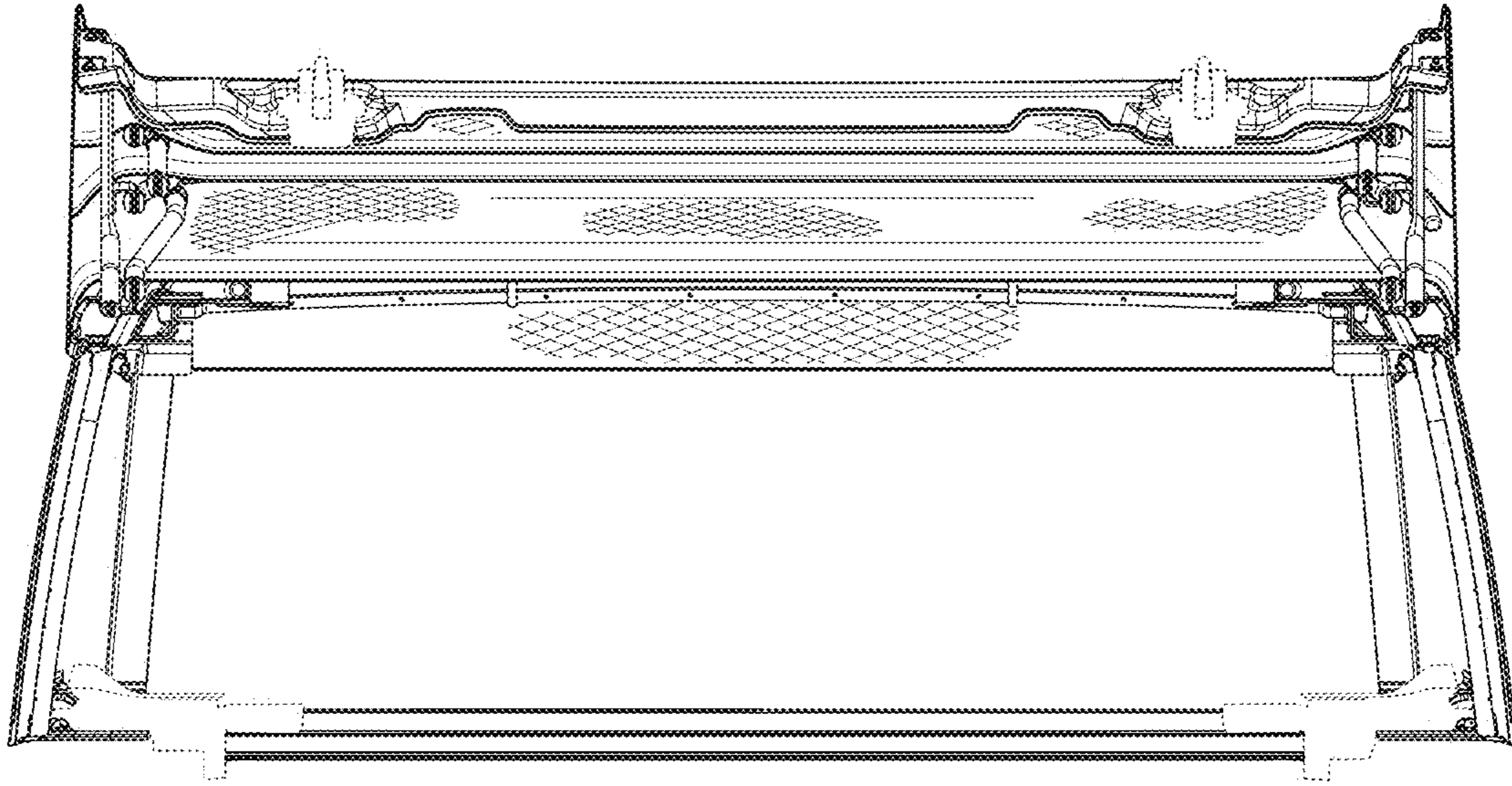


FIG. 13

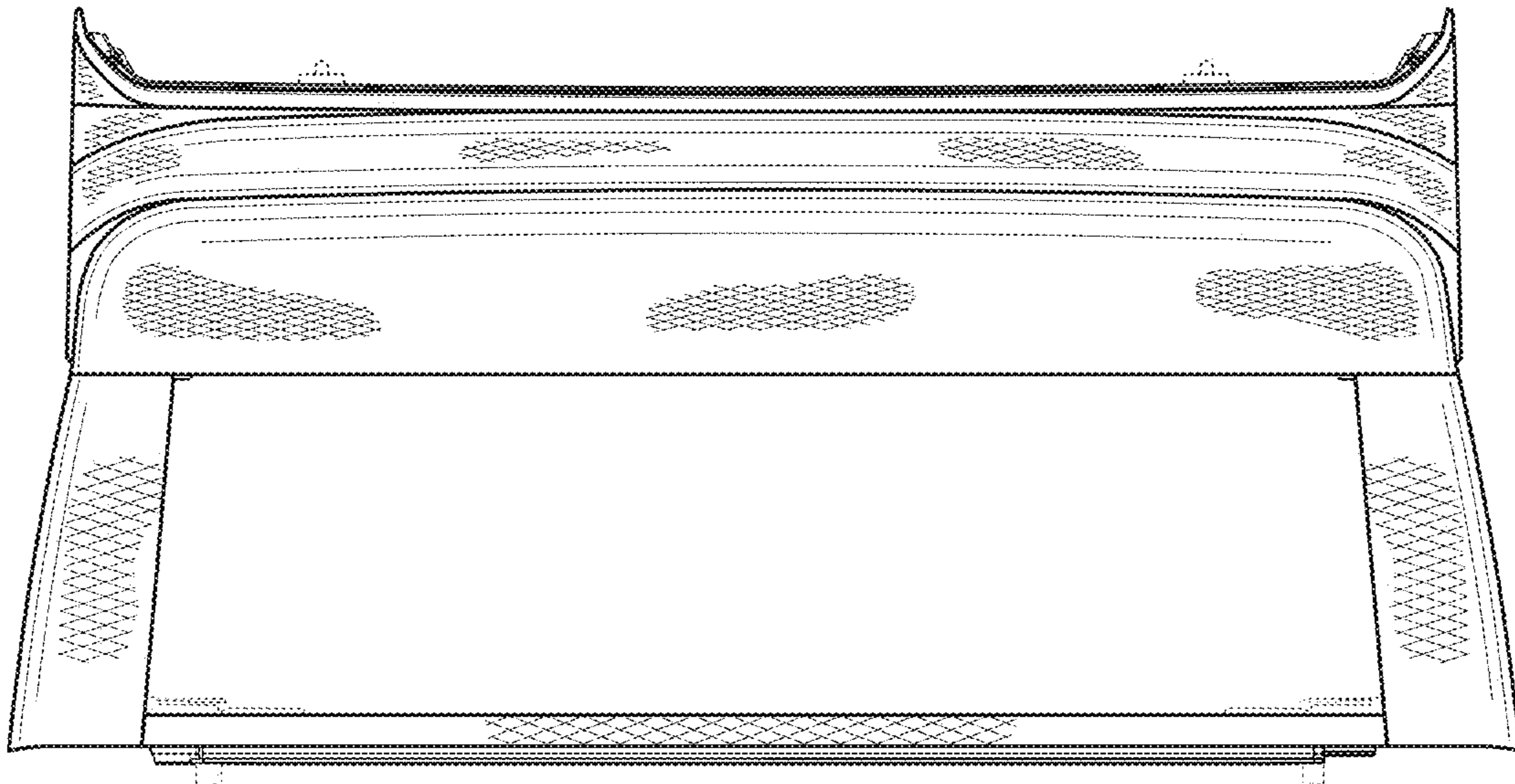


FIG. 14

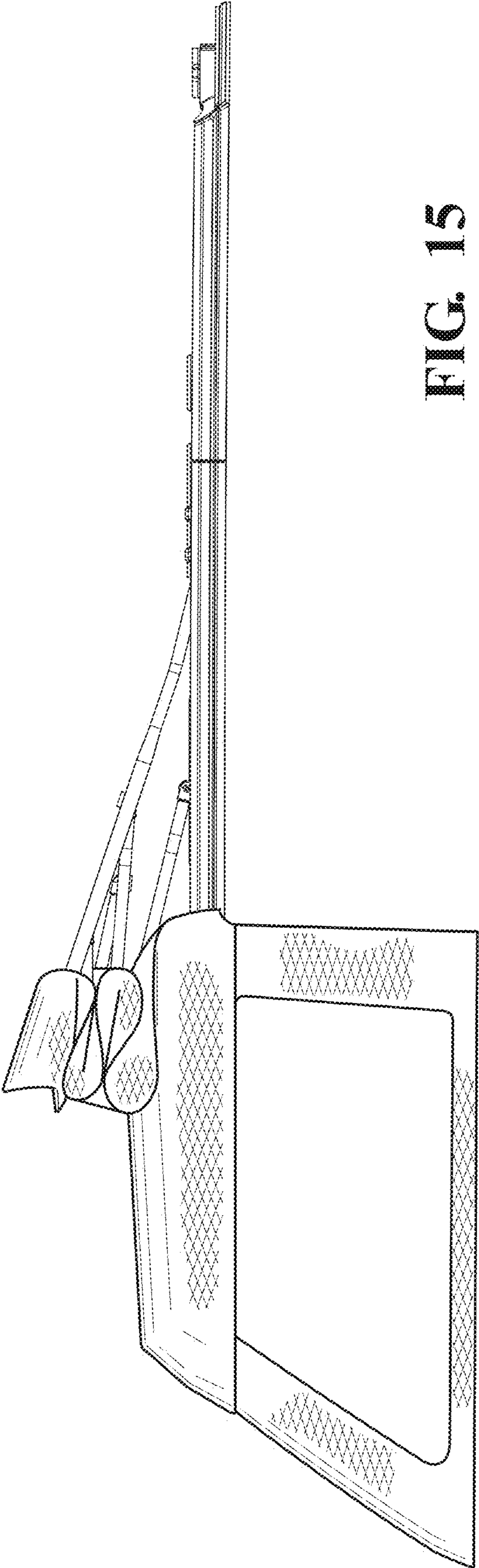


FIG. 15

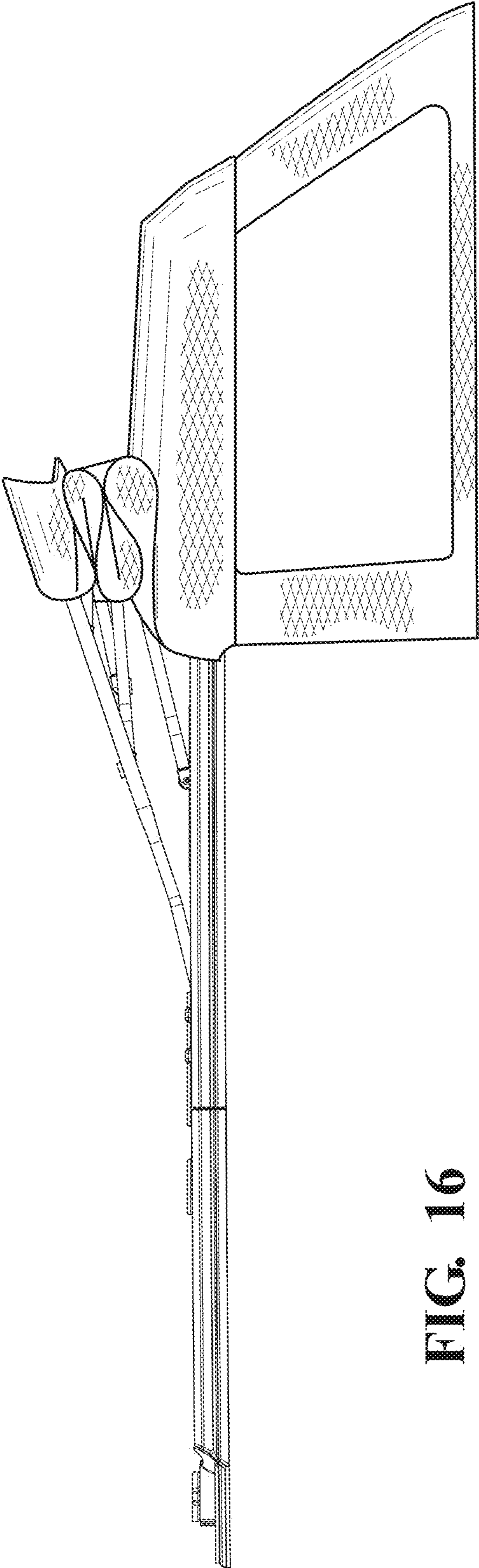


FIG. 16



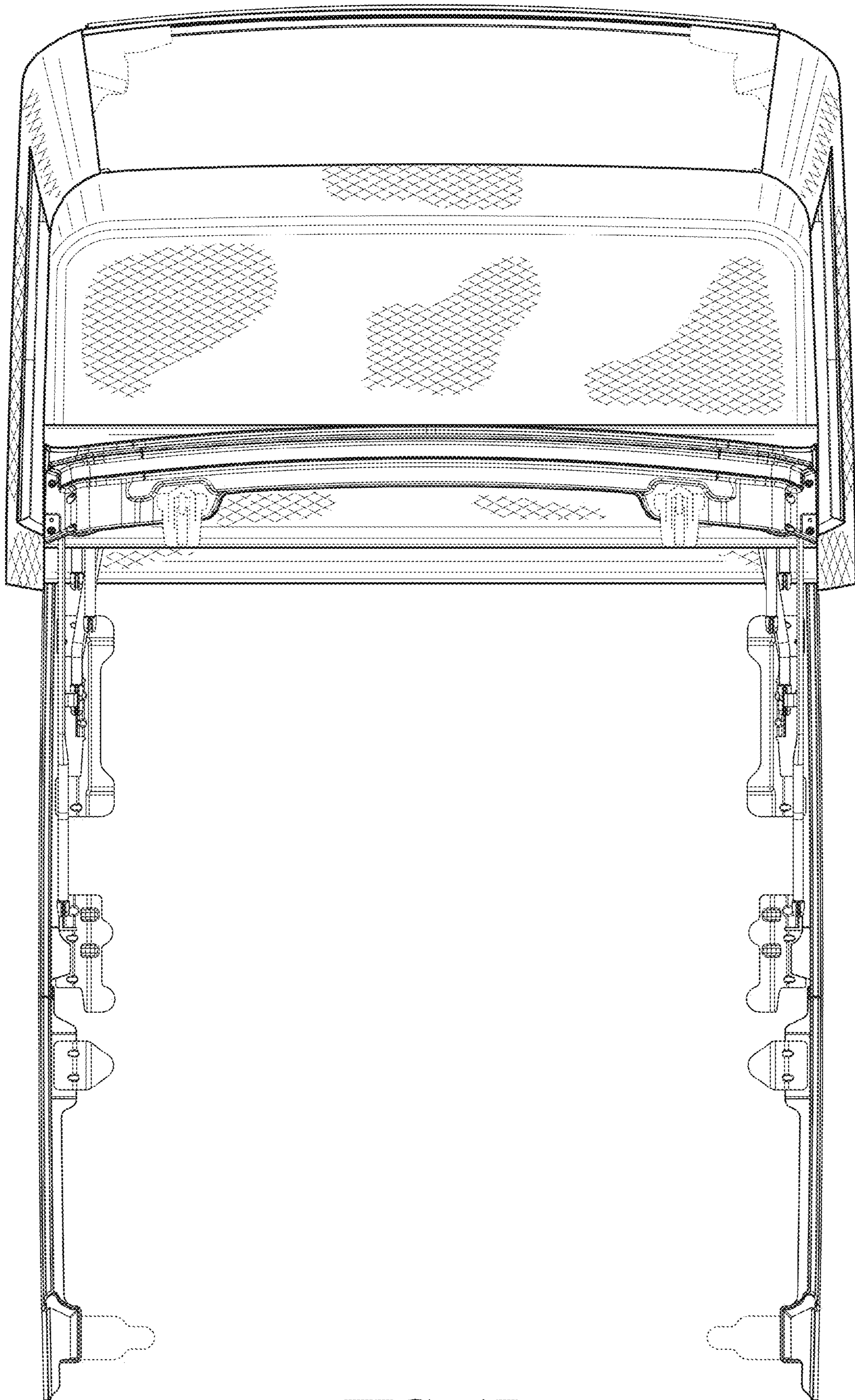


FIG. 17

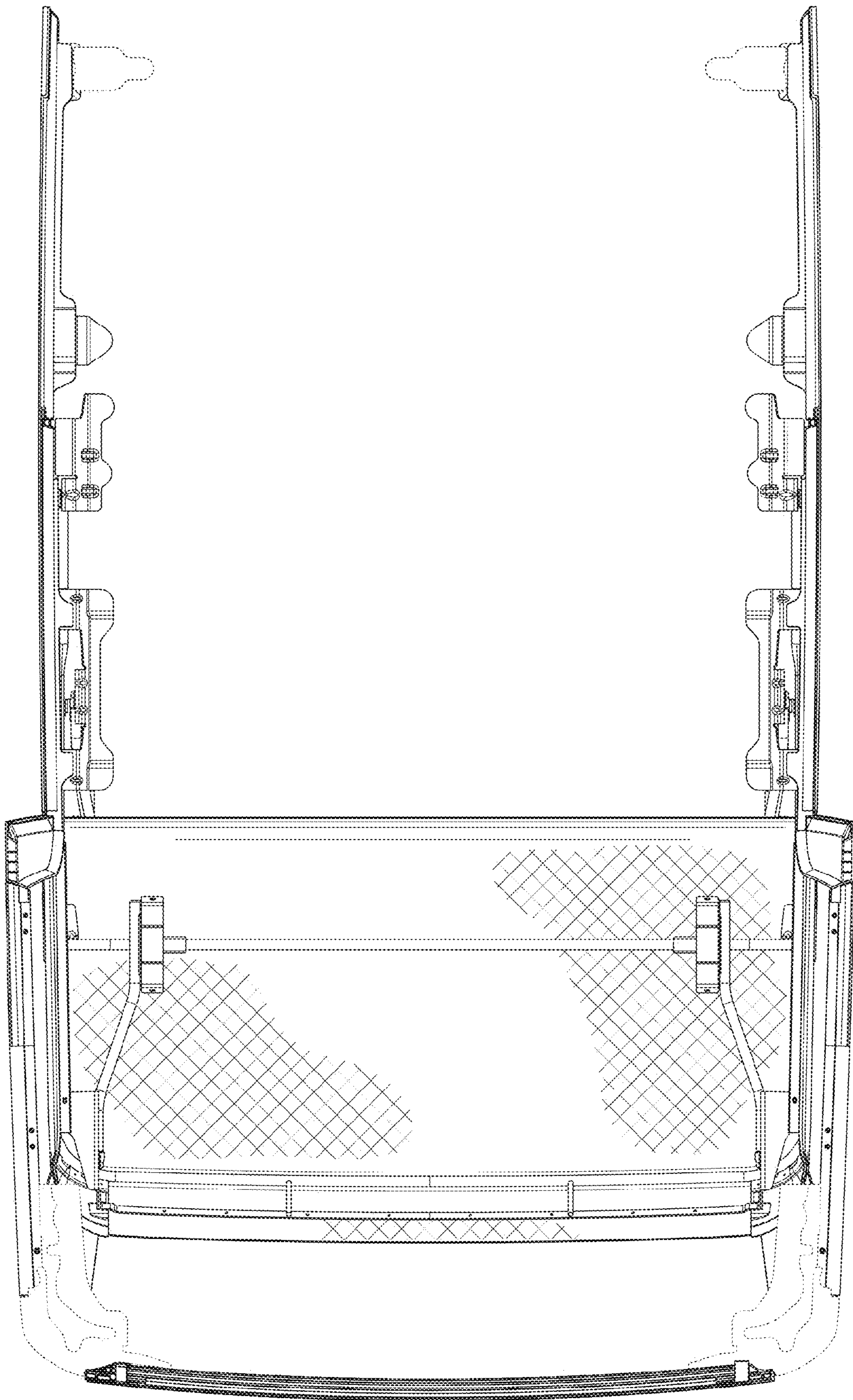


FIG. 18