



US0D1010444S

(12) **United States Design Patent** (10) **Patent No.:** **US D1,010,444 S**
Lowance (45) **Date of Patent:** **** Jan. 9, 2024**

(54) **COMBINED PUMP TOP AND SKIRT**

(71) Applicant: **World Club Supply Corp.**, Orange, CA (US)

(72) Inventor: **Philip D. Lowance**, Dana Point, CA (US)

(73) Assignee: **World Club Supply Corp.**, Orange, CA (US)

(**) Term: **15 Years**

(21) Appl. No.: **29/803,624**

(22) Filed: **Aug. 13, 2021**

(51) **LOC (14) Cl.** **09-07**

(52) **U.S. Cl.**
USPC **D9/448**

(58) **Field of Classification Search**
USPC D7/392.1, 396.2; D9/434-436, 400, 443, D9/452-454, 499, 448, 682
CPC B65D 53/003; B65D 83/20; B65D 88/54; B67D 5/00; B67D 5/40; B05B 11/306; B05B 11/3047; B05B 11/3074
See application file for complete search history.

(56) **References Cited**

U.S. PATENT DOCUMENTS

D314,688 S *	2/1991	Guillerm	D9/448
D351,794 S *	10/1994	Foster	D9/448
5,615,806 A	4/1997	Grothoff	
D389,406 S	1/1998	Mascitelli	
D434,984 S	12/2000	Wadsworth	
D436,863 S	1/2001	Wadsworth et al.	
D438,113 S	2/2001	Wsdsworth	
D438,468 S	3/2001	Wadsworth	
D438,798 S	3/2001	Wadsworth	
D452,822 S *	1/2002	Boshuizen	D9/448
D458,539 S *	6/2002	Bakic	D9/448
D471,105 S	3/2003	Gonzalez Fernandez	
6,536,630 B1	3/2003	Chan et al.	
6,604,656 B1	8/2003	Tseng	

D479,985 S	9/2003	Lowance	
D489,614 S	5/2004	Pinnavaia	
D489,615 S *	5/2004	Bakic	D9/448
6,820,770 B2	11/2004	Makino et al.	
6,966,459 B1	11/2005	Tseng	
7,025,924 B2	4/2006	Lowance	
D527,258 S	8/2006	Crawford	

(Continued)

FOREIGN PATENT DOCUMENTS

DE	20 2015 103 187 U1	7/2016
WO	2009/138434 A1	11/2009

OTHER PUBLICATIONS

Cosmetic Packaging Now. Pure 10 ML White PP Airless Bottle with Frosted Cap. No date specified. <https://shorturl.at/nASW5> (Year: 0).*

(Continued)

Primary Examiner — Darcey E Gottschalk
(74) *Attorney, Agent, or Firm* — LAPPLE UBELL IP LAW, LLP; Franklin D. Ubell

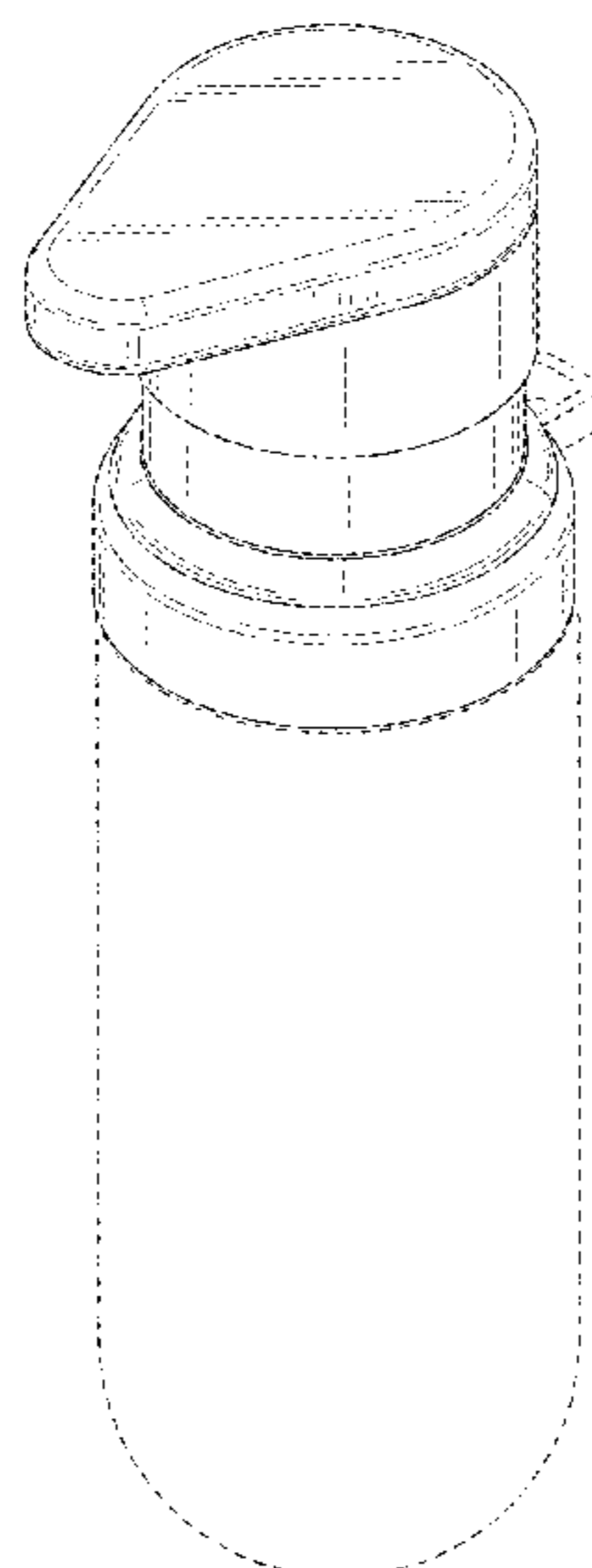
(57) **CLAIM**

The ornamental design for a combined pump top and skirt, as shown and described.

DESCRIPTION

FIG. 1 is a front perspective view of the combined pump top and skirt;
FIG. 2 is a front view thereof;
FIG. 3 is back view thereof;
FIG. 4 is a left side view thereof;
FIG. 5 is a right side view thereof;
FIG. 6 is a top view thereof; and,
FIG. 7 is a bottom view thereof.
In the drawings, the broken lines show a related liquid storing component that forms no part of the claim.

1 Claim, 4 Drawing Sheets



(56)

References Cited

U.S. PATENT DOCUMENTS

D528,911 S * 9/2006 Turner D9/448
 D536,973 S 2/2007 van der Heijden et al.
 D579,773 S * 11/2008 Ribera Turro D9/448
 D588,006 S 3/2009 Boes et al.
 D598,750 S 8/2009 Boes et al.
 D600,553 S 9/2009 Dubitsky et al.
 D600,554 S 9/2009 Toh et al.
 D604,610 S 11/2009 Ames et al.
 D636,262 S 4/2011 Michitsuji et al.
 8,034,281 B2 10/2011 Lowance
 D666,911 S 9/2012 Modha et al.
 D678,064 S 3/2013 Arminak
 D684,052 S * 6/2013 Bakic D9/448
 D687,716 S * 8/2013 Lee D9/558
 D713,737 S * 9/2014 Adamson-Mohan D9/521
 9,687,866 B1 6/2017 Chan
 D792,218 S 7/2017 Chan
 D794,452 S 8/2017 Chan
 D833,276 S * 11/2018 Bloc D9/448
 D836,435 S * 12/2018 Praster D9/448
 10,182,685 B2 1/2019 Ophardt et al.
 D847,657 S * 5/2019 Oates D9/682
 D876,234 S * 2/2020 Arminak D9/448
 10,750,911 B2 8/2020 McDonagh et al.
 10,959,503 B2 3/2021 Bilton et al.
 11,332,279 B2 * 5/2022 Lowance B65D 23/003
 D991,785 S * 7/2023 Arminak D9/448
 2005/0284888 A1 12/2005 Rhodenbaugh et al.

2007/0210110 A1 9/2007 Anhuf et al.
 2008/0006656 A1 1/2008 Tseng
 2008/0290119 A1 11/2008 Tseng
 2010/1135834 6/2010 Tseng
 2011/0011895 A1 * 1/2011 Michitsuji B05B 11/1001
 222/464.1
 2011/0259920 A1 10/2011 Rennie et al.
 2015/0041560 A1 2/2015 Cheng et al.
 2016/0040455 A1 2/2016 Limbert et al.
 2016/0167073 A1 6/2016 Notarianni et al.
 2017/0105584 A1 4/2017 Ophardt et al.
 2018/0306180 A1 10/2018 Chan et al.
 2019/0329275 A1 10/2019 Toh et al.
 2019/0366378 A1 12/2019 Anglotz et al.
 2020/0029748 A1 1/2020 Bradley
 2020/0197966 A1 6/2020 Marshall et al.
 2022/0097911 A1 * 3/2022 Lowance B65D 23/003

OTHER PUBLICATIONS

Walmart. Ame Clear Airless Cosmetic Cream Pump Bottle Travel Size Dispenser Refillable Containers/Foundation Travel Pump Bottle for Shampoo 8oz/15ml. No date specified. <https://shorturl.at/cxyDT> (Year: 0).*

Alamy. Face foundation bottle. Jan. 21, 2020. <https://www.alamy.com/face-foundation-bottle-liquid-cosmetic-cream-care-facial-makeup-base-glass-pump-dispenser-tube-clear-medical-serum-packaging-templatebeauty-lotion-image405940161.html> (Year: 2020).*

Machine Translation of DE 20 2015 103 187 (Year: 2016).

* cited by examiner

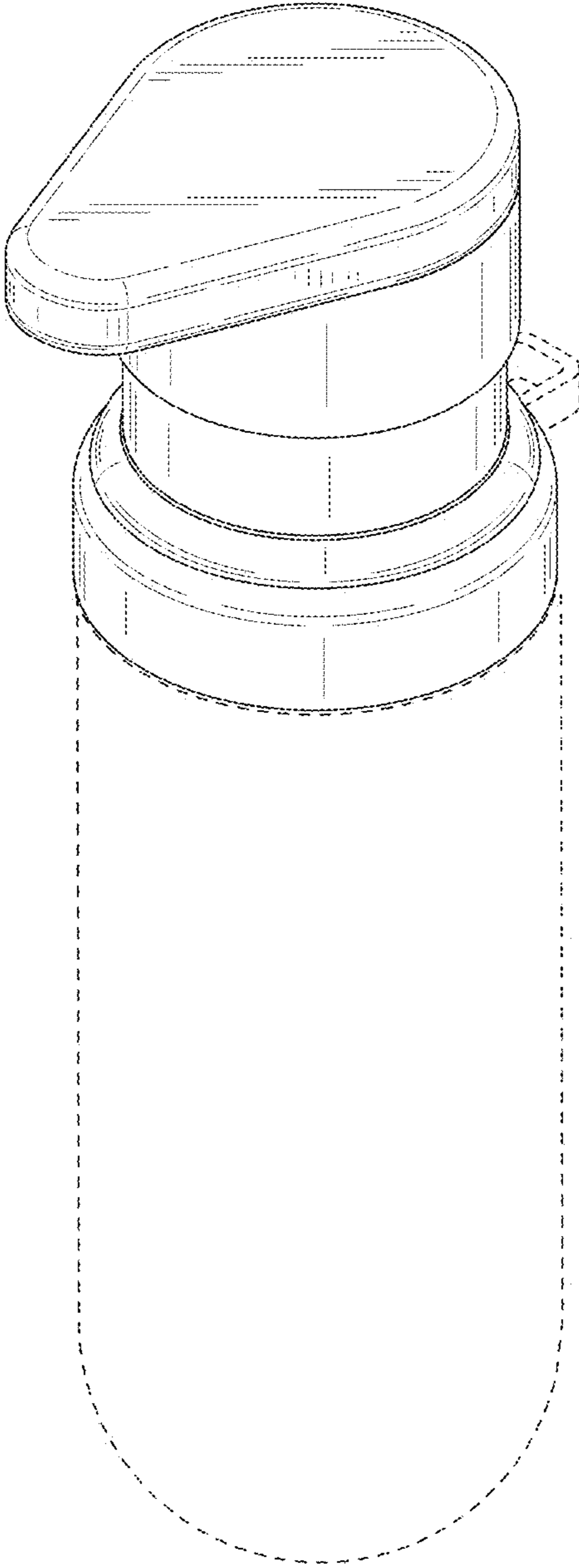


FIG. 1

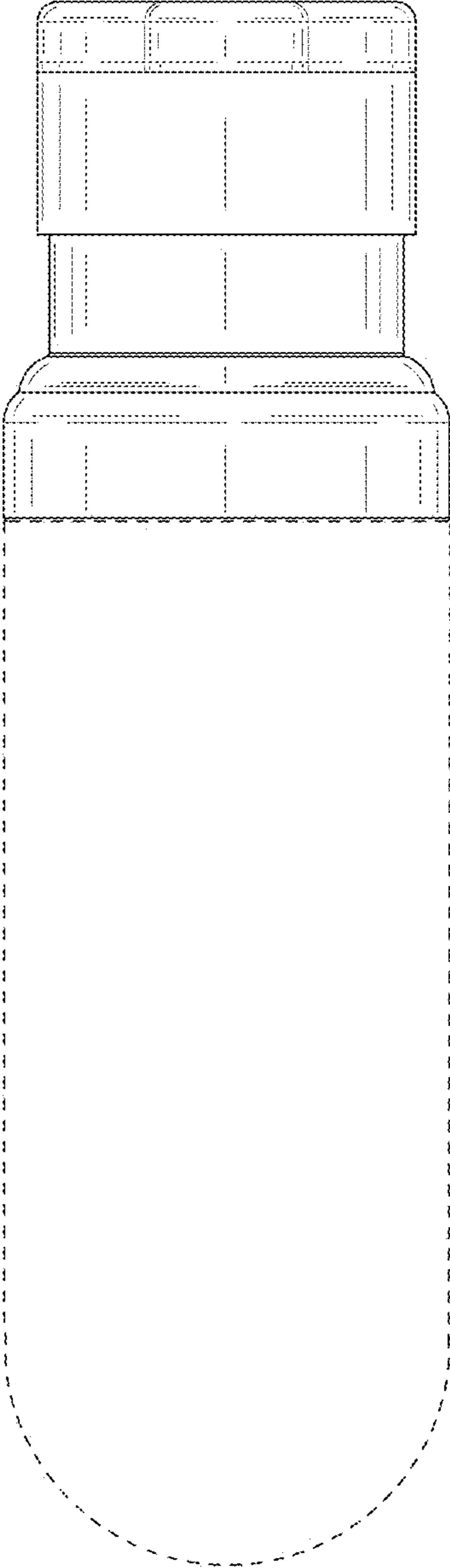


FIG. 2

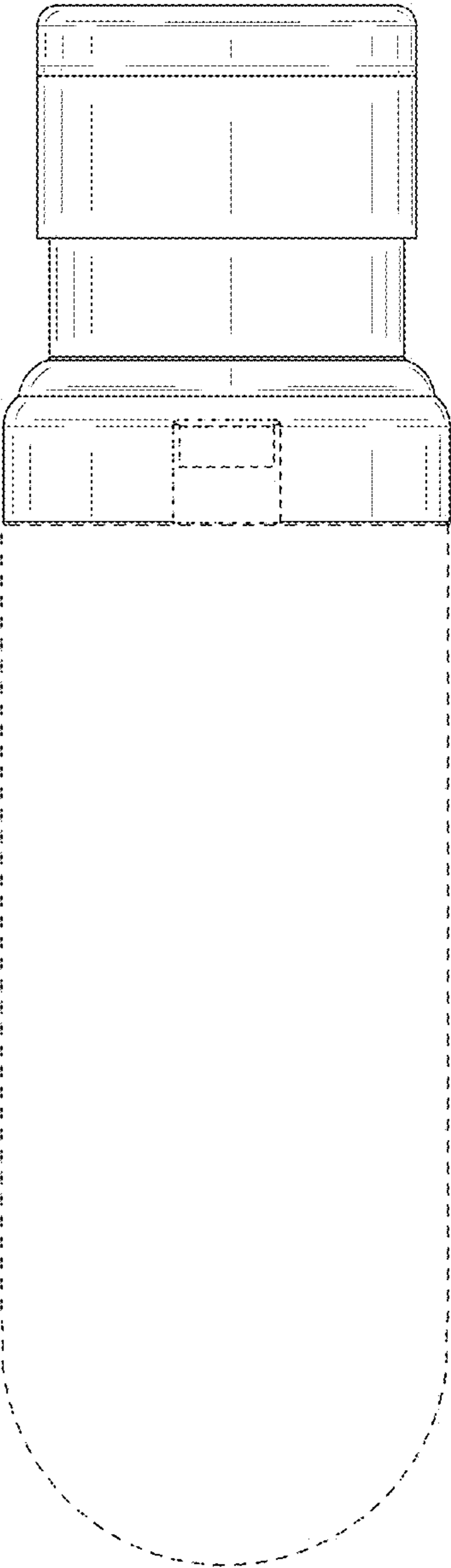


FIG. 3

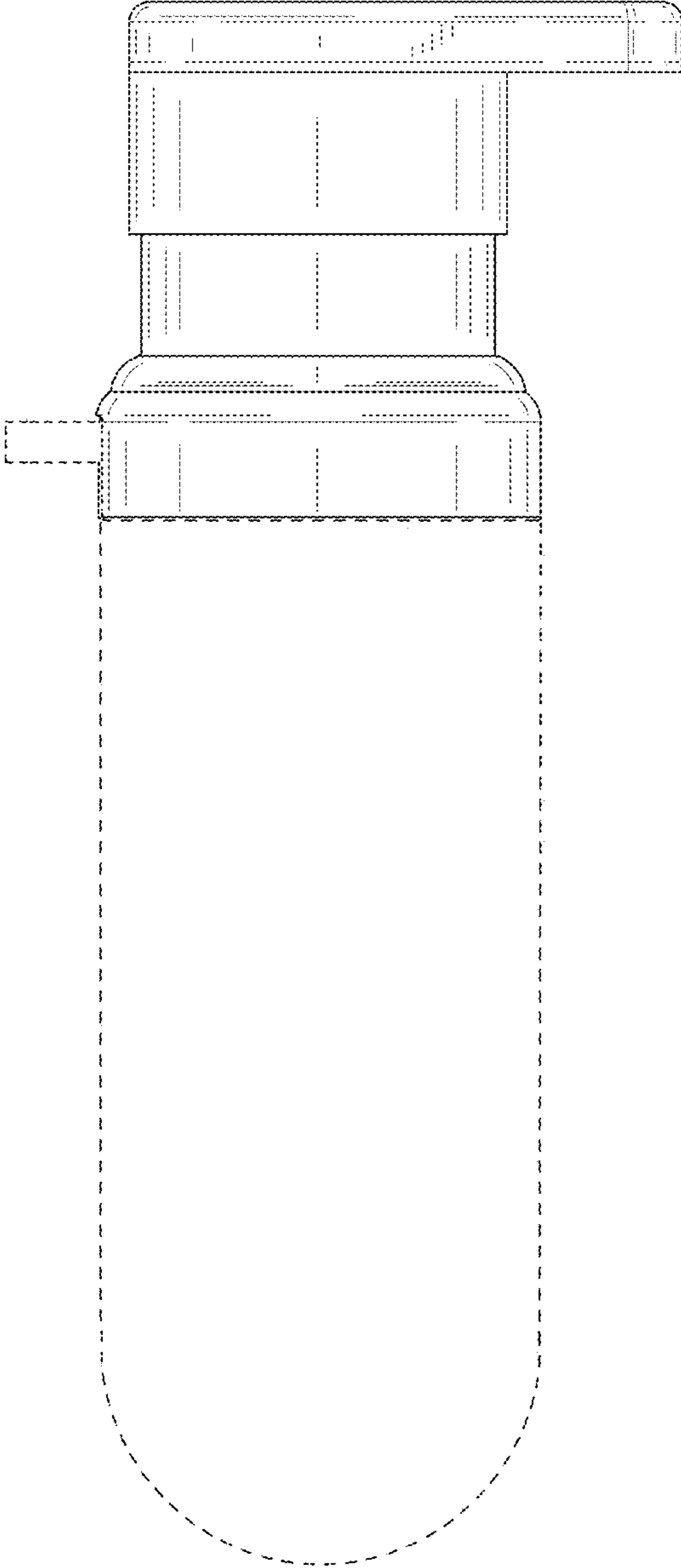


FIG. 4

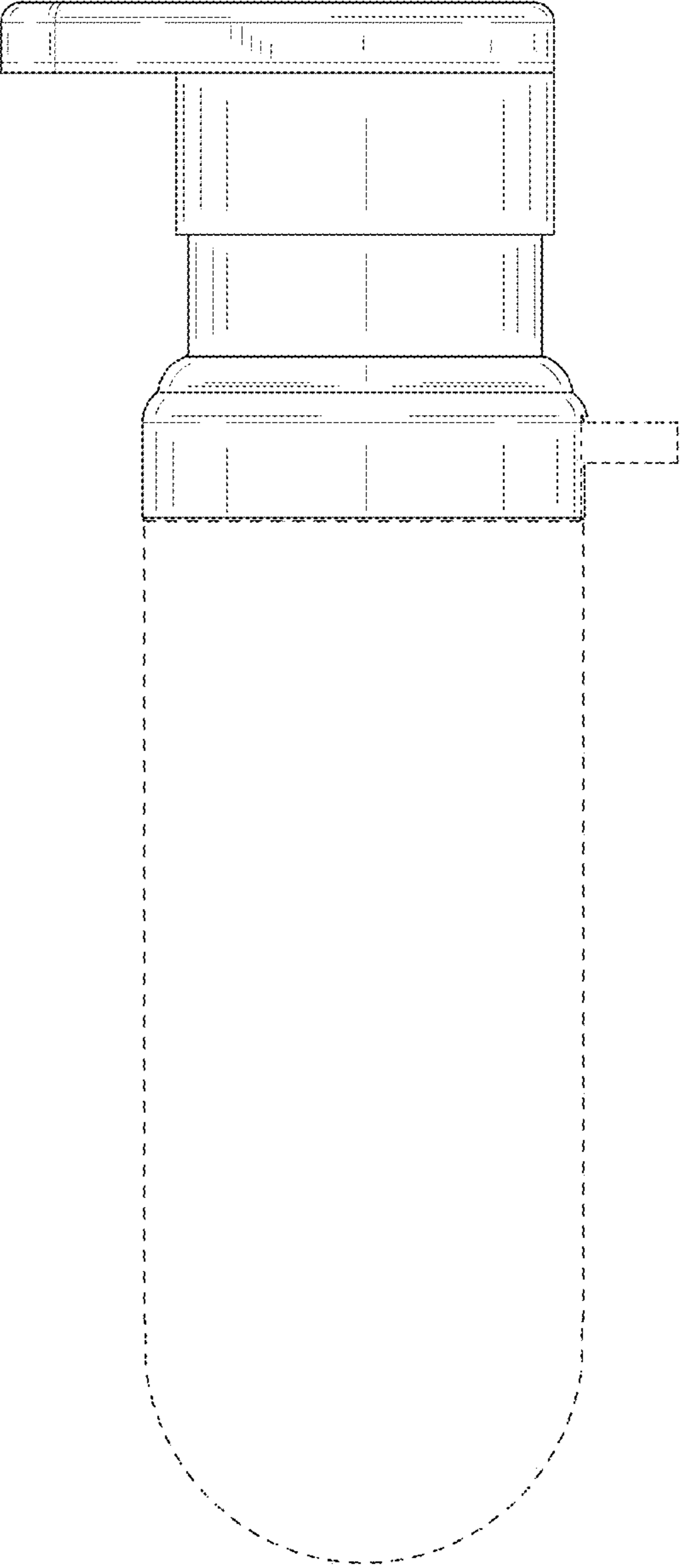


FIG. 5

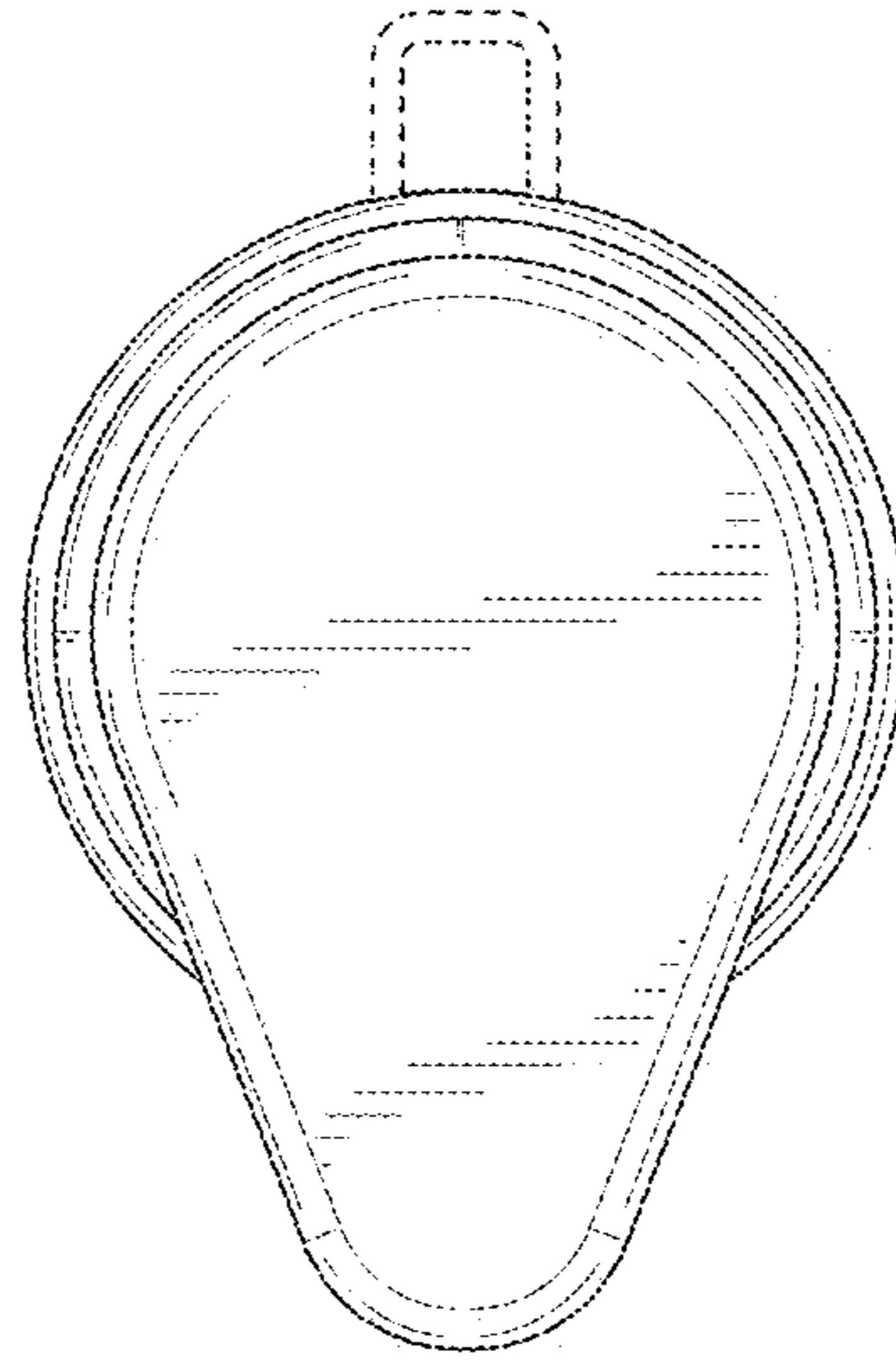


FIG. 6

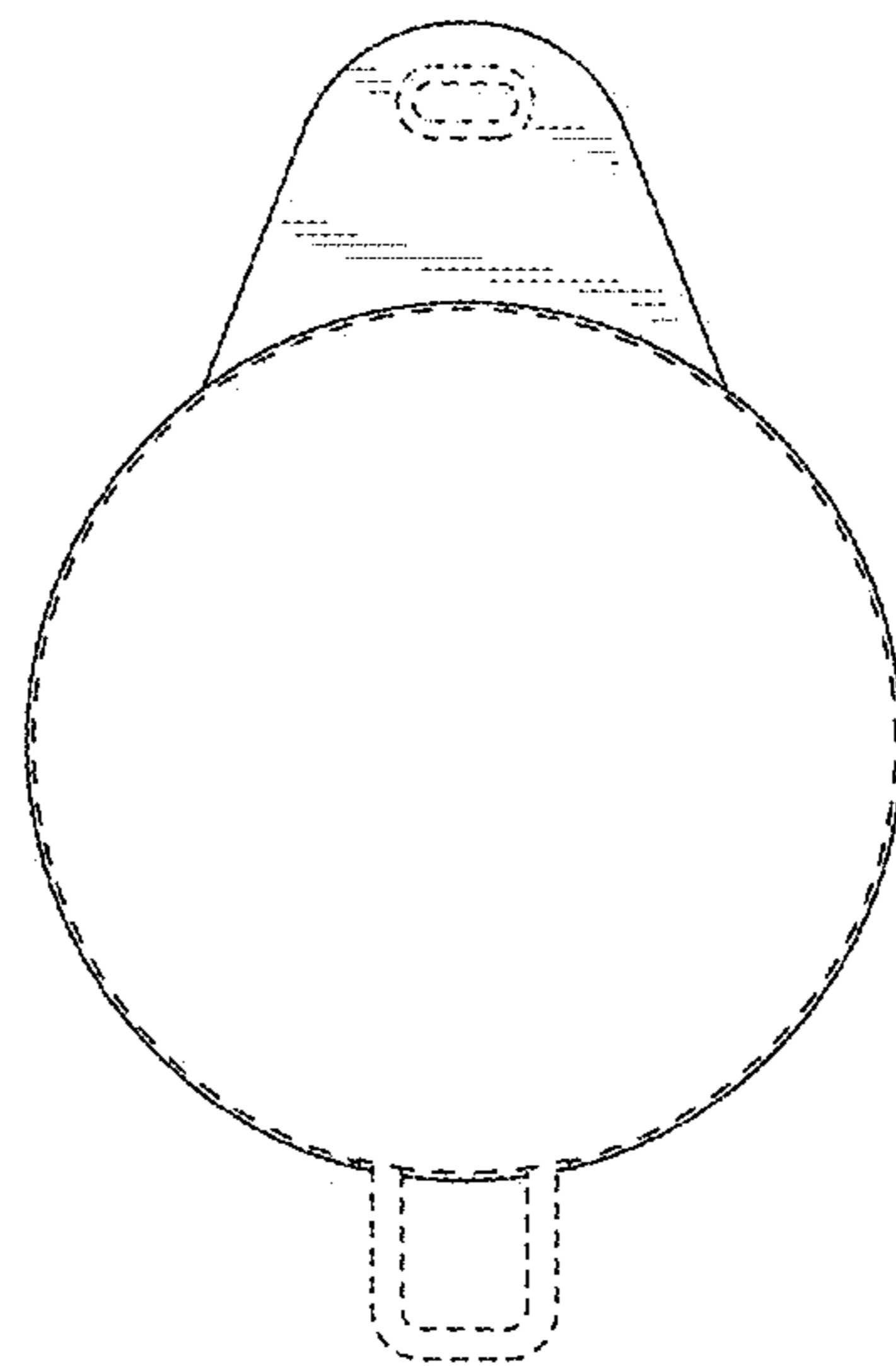


FIG. 7