



US0D1010422S

(12) **United States Design Patent** (10) **Patent No.:** **US D1,010,422 S**
Alonso (45) **Date of Patent:** **** Jan. 9, 2024**

(54) **PADLOCKS**

(71) Applicant: **SALTO SYSTEMS, S.L.**, Oiartzun (ES)

(72) Inventor: **Ibon Martínez Alonso**, Oiartzun (ES)

(73) Assignee: **SALTO SYSTEMS, S.L.**, Oiartzun (ES)

(**) Term: **15 Years**

(21) Appl. No.: **29/790,189**

(22) Filed: **Nov. 10, 2021**

(30) **Foreign Application Priority Data**

Oct. 15, 2021 (EM) 008727507-0001

(51) **LOC (14) Cl.** **08-07**

(52) **U.S. Cl.**
USPC **D8/334**

(58) **Field of Classification Search**
USPC D8/330-348, 350
CPC E05B 39/00; E05B 43/00; E05B 45/00;
E05B 47/00; E05B 51/00; E05B 55/00;
E05B 63/00; E05B 65/00; E05B 73/00;
E05B 45/06; E05B 17/226

See application file for complete search history.

(56) **References Cited**

U.S. PATENT DOCUMENTS

3,759,557 A * 9/1973 Athas E05B 67/383
292/281
D316,955 S * 5/1991 Goida D8/334
D342,010 S * 12/1993 Lebrecht D8/334
5,655,391 A * 8/1997 Long E05B 67/38
70/56
D391,833 S * 3/1998 Wasson D8/333
6,381,997 B1 * 5/2002 Chen E05B 37/025
70/312
D587,983 S * 3/2009 Zorc D8/343

D615,842 S * 5/2010 Freeman D8/333
D823,663 S * 7/2018 Ronge D8/334
D891,225 S * 7/2020 Ronge D8/334
D891,226 S * 7/2020 Ronge D8/334
D906,089 S * 12/2020 Heikinmatti D8/343
D925,337 S * 7/2021 Wortmann D8/334
D937,069 S * 11/2021 Zheng D8/334
2006/0260369 A1 * 11/2006 Lai E05B 41/00
70/432
2010/0313617 A1 * 12/2010 Wu E05B 67/24
70/38 R

OTHER PUBLICATIONS

Salto Neoxx G4 Electronic Padlock, posted Aug. 5, 2021 [online], [retrieved Feb. 15, 2023]. Retrieved from internet, <https://www.youtube.com/watch?v=tYH56x7ThVk> (Year: 2021).*

* cited by examiner

Primary Examiner — David G Muller
Assistant Examiner — Christina Gabrielle Cosden
(74) *Attorney, Agent, or Firm* — Casimir Jones, S.C.;
Tristan A. Fuierer

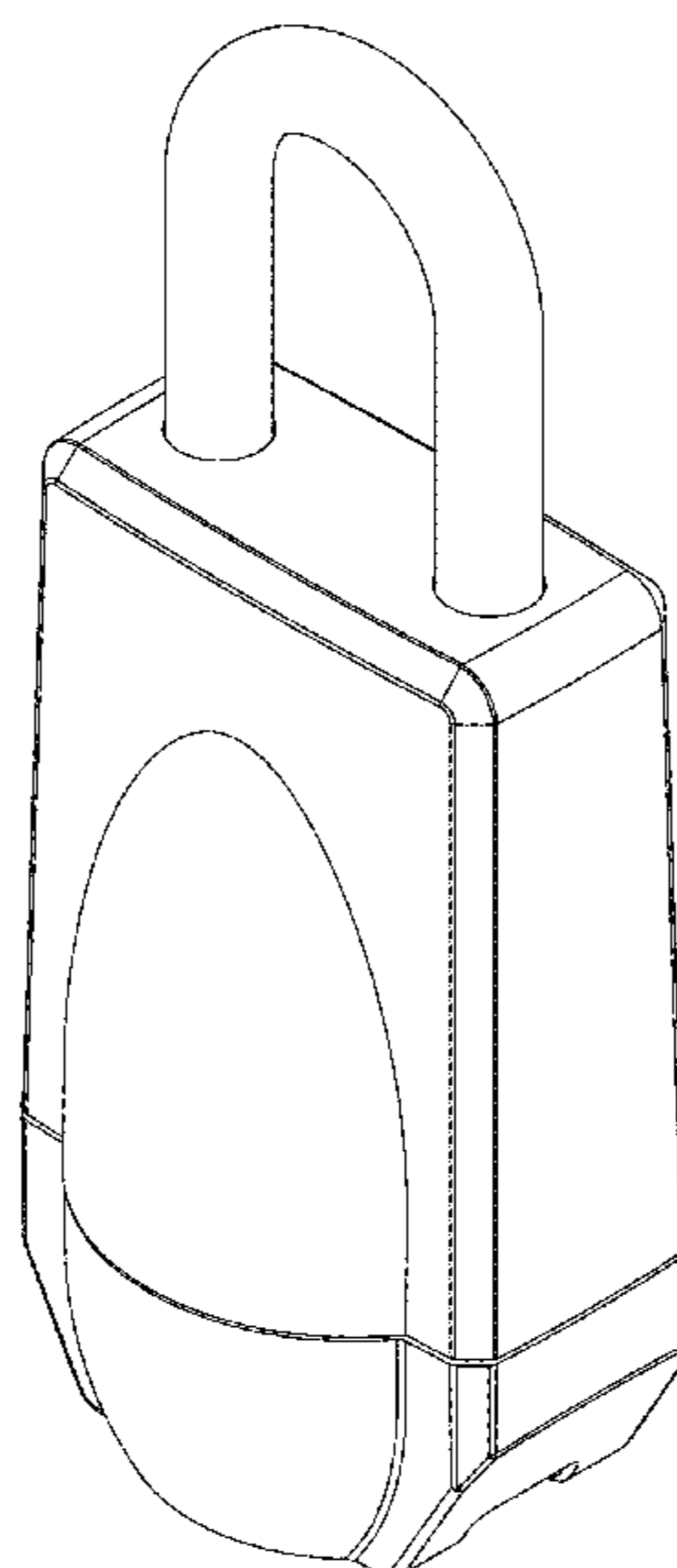
(57) **CLAIM**

The ornamental design for a padlock, as shown and described.

DESCRIPTION

FIG. 1 is a perspective view of a padlock;
FIG. 2 is a front view thereof;
FIG. 3 is a top view thereof;
FIG. 4 is a left side view thereof;
FIG. 5 is a rear view thereof;
FIG. 6 is a bottom view thereof; and,
FIG. 7 is a right side view thereof.
The article is an electronic padlock with knob. The broken lines in the drawings depict portions of the padlock that form no part of the claimed design.

1 Claim, 7 Drawing Sheets



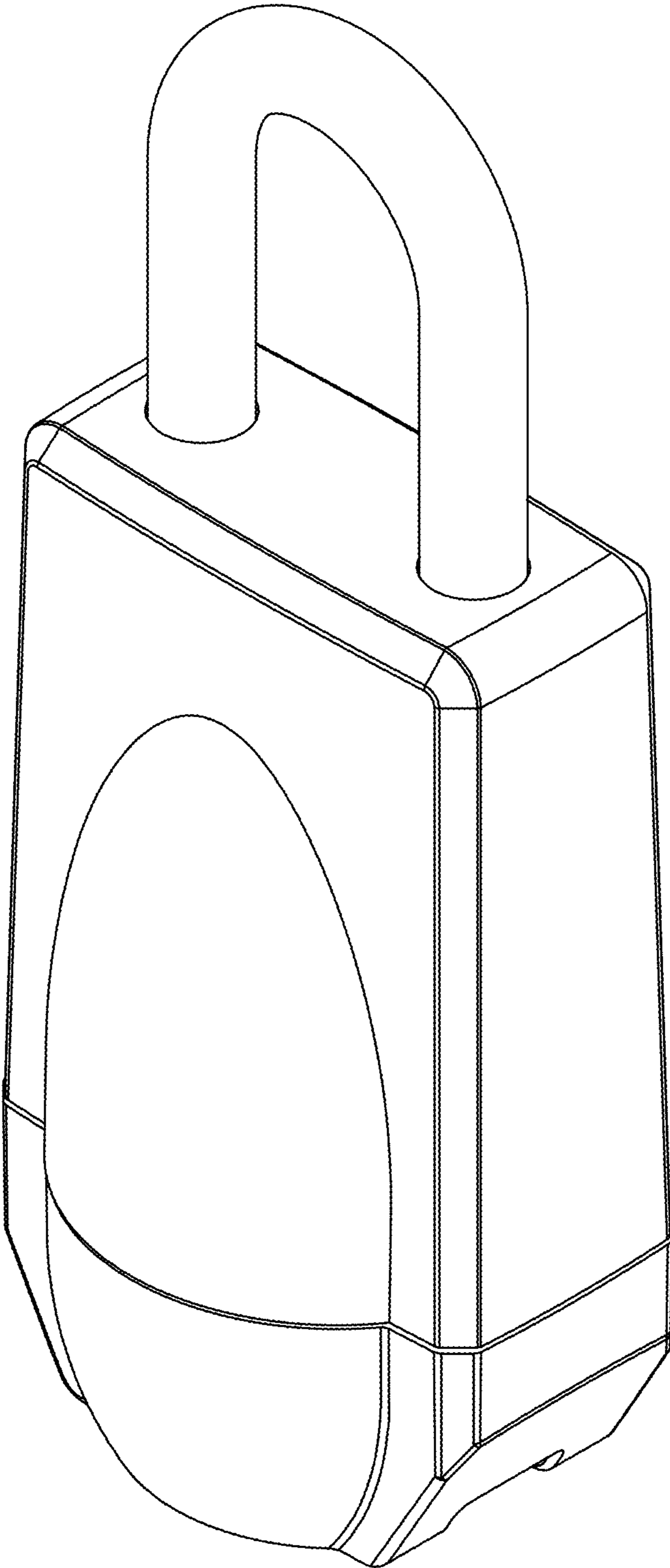


FIG. 1

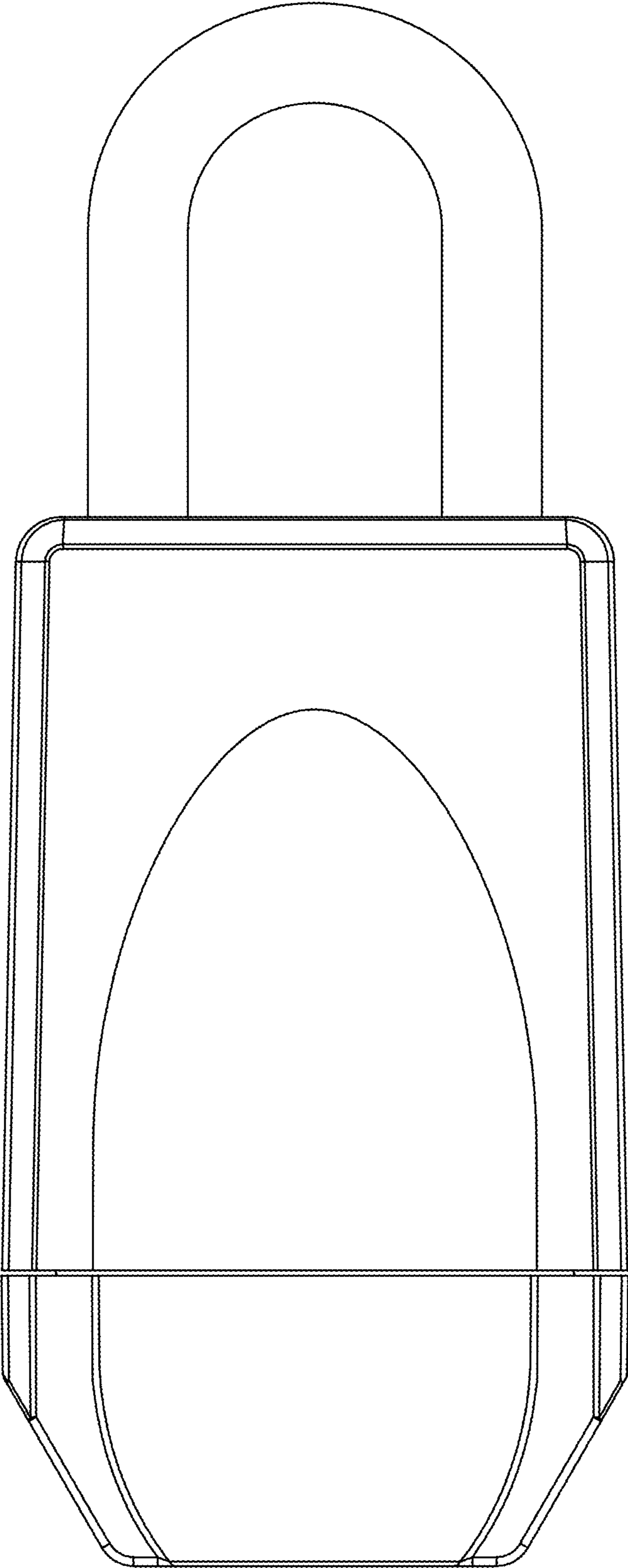


FIG. 2

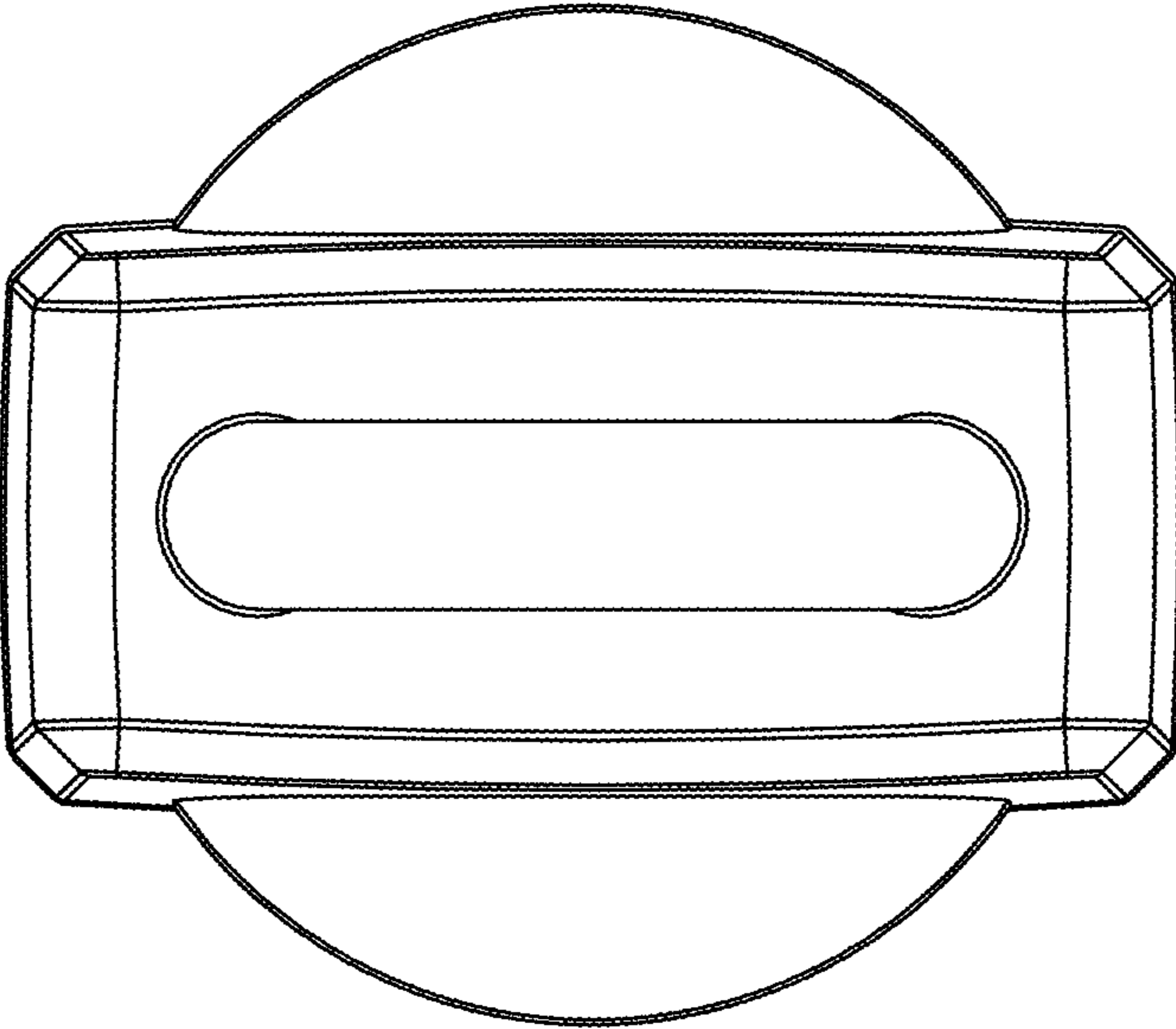


FIG. 3

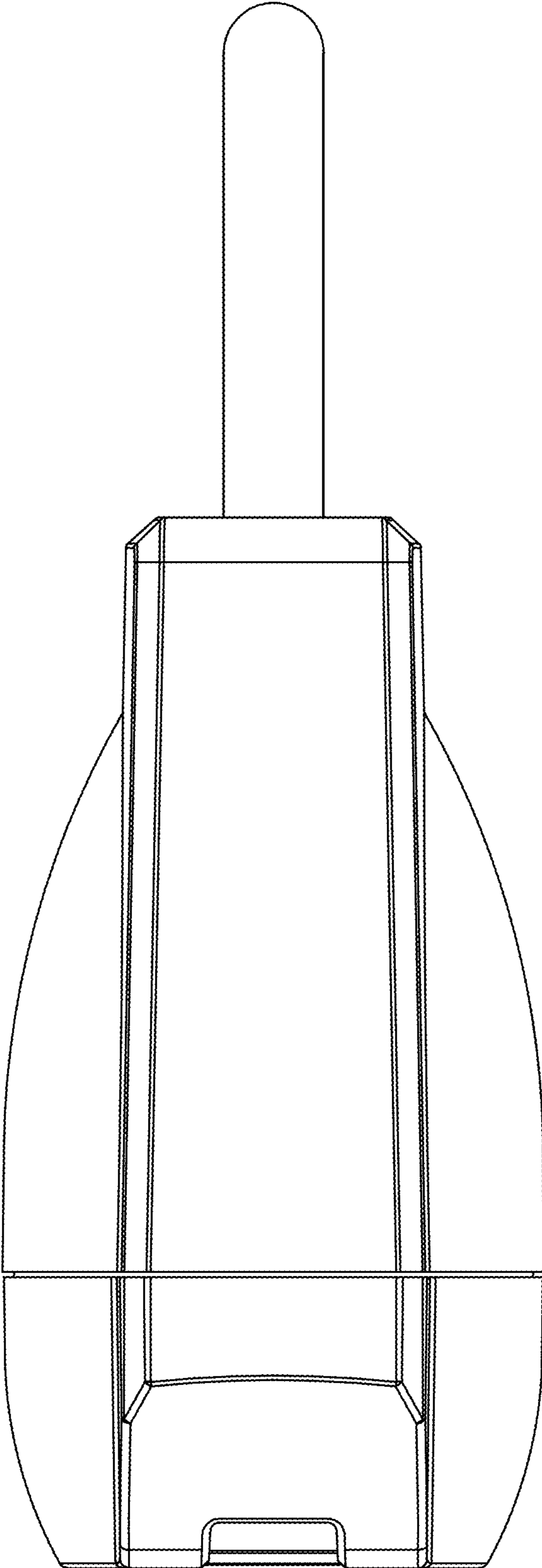


FIG. 4

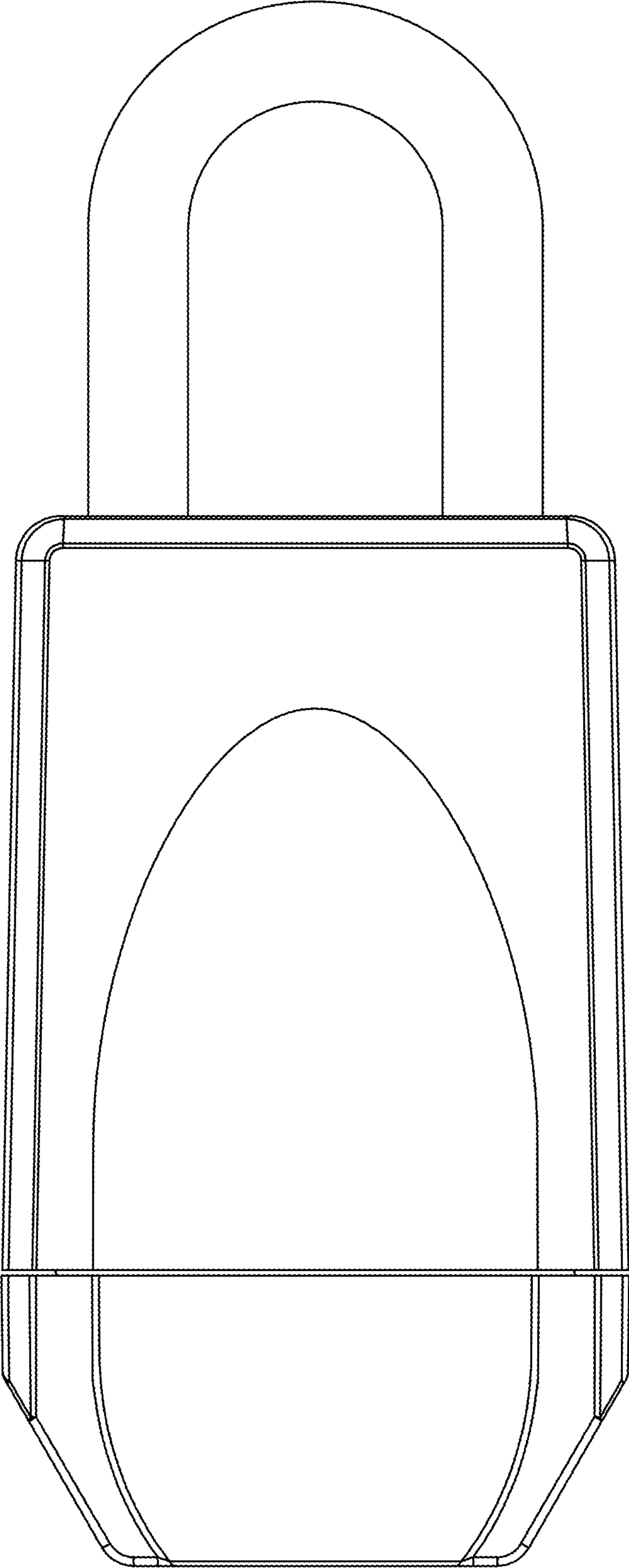


FIG. 5

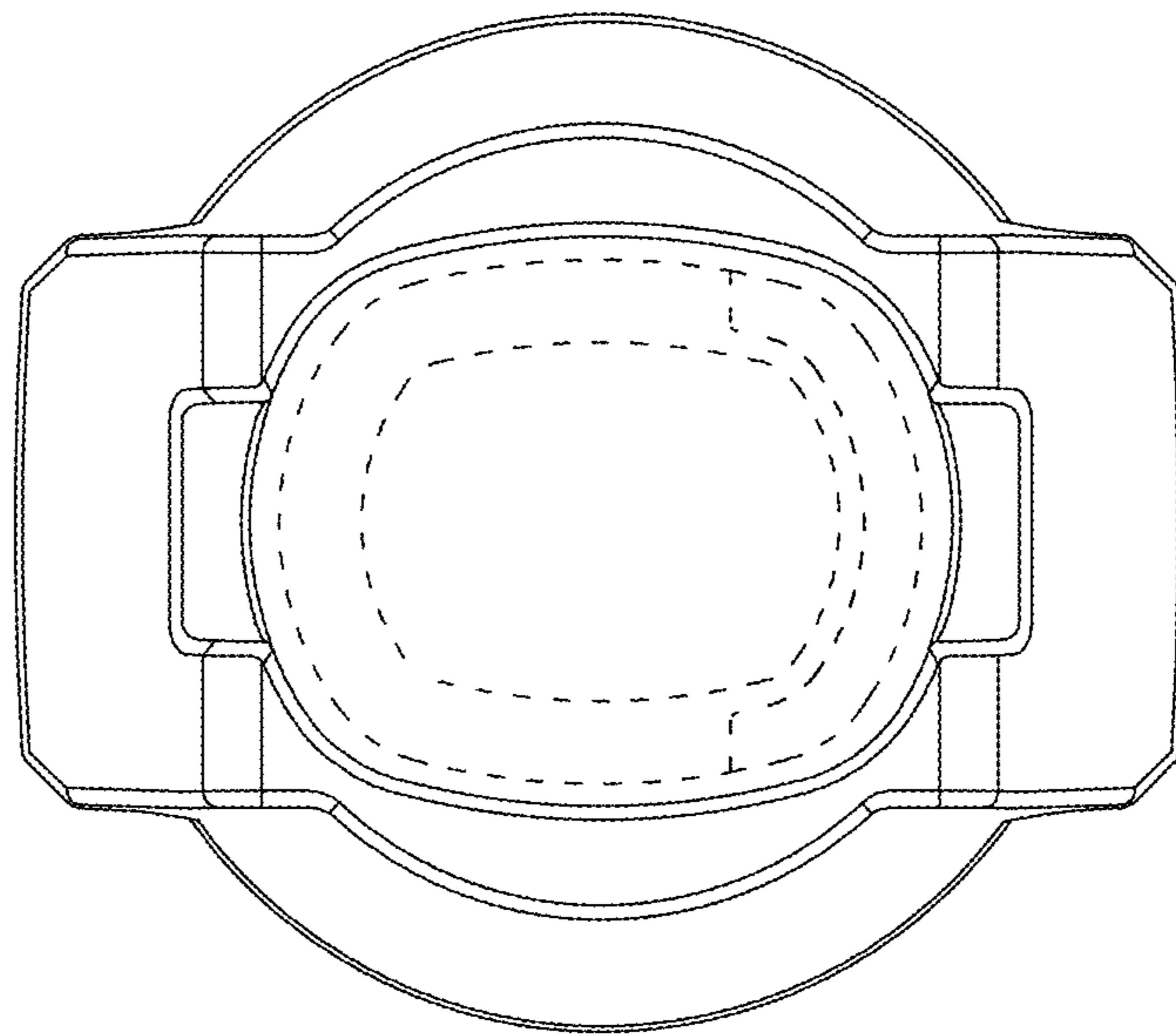


FIG. 6

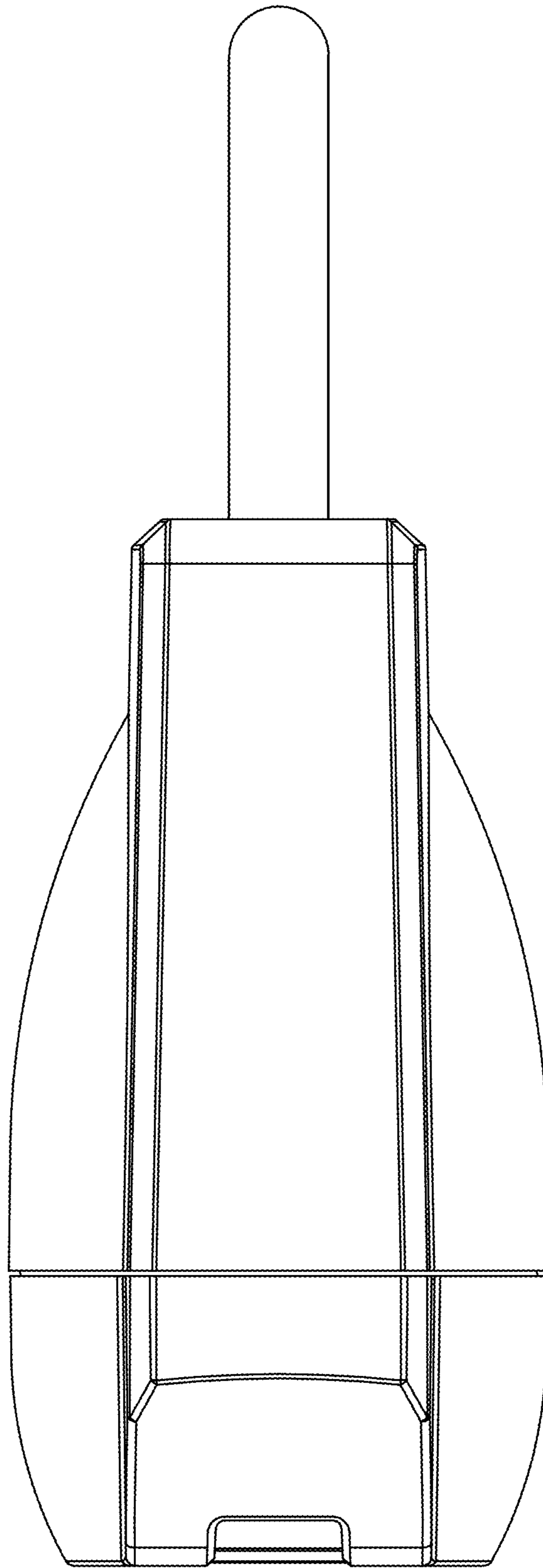


FIG. 7