

US0D1010407S

(12) **United States Design Patent** (10) **Patent No.:** **US D1,010,407 S**
Chou (45) **Date of Patent:** **** Jan. 9, 2024**

(54) **OPEN-END WRENCH**
(71) Applicant: **Chin-Ying Chou**, Taichung (TW)
(72) Inventor: **Chin-Ying Chou**, Taichung (TW)
(73) Assignee: **ACT QUALITY INDUSTRIAL CO., LTD.**, Taichung (TW)

6,186,034 B1 * 2/2001 Lamons B25G 1/063
81/177.8
D442,041 S * 5/2001 Chen D8/28
D442,042 S * 5/2001 Chen D8/29
6,234,051 B1 * 5/2001 Bareggi B25B 23/0035
81/479
D444,044 S * 6/2001 Chen D8/21
6,745,650 B1 * 6/2004 Chang B25G 1/063
81/177.8

(**) Term: **15 Years**

(Continued)

(21) Appl. No.: **29/818,702**
(22) Filed: **Dec. 10, 2021**
(51) **LOC (14) Cl.** **08-05**
(52) **U.S. Cl.**
USPC **D8/28**
(58) **Field of Classification Search**
USPC D8/14, 21, 24-27, 29
CPC B25B 13/461; B25B 23/0028
See application file for complete search history.

OTHER PUBLICATIONS

Ares 33014—1/2-Inch Drive Flexible Crowfoot Wrench—22mm (7/8-inch) 12pt Crowfoot Wrench—180 Degree Flex Head Offers 90-Degree Access for Hard-to-Reach Bolts—Services Oxygen Sensors; Ares; Amazon.com; Dec. 30, 2022; Accessed Sep. 18, 2023; URL:<<https://www.amazon.com/dp/B0BRC24M8Z>> (Year: 2022).*

Primary Examiner — Rachel A. Voorhies
Assistant Examiner — Benjamin D. Wannemacher

(56) **References Cited**

(57) **CLAIM**

The ornamental design for an open-end wrench, as shown and described.

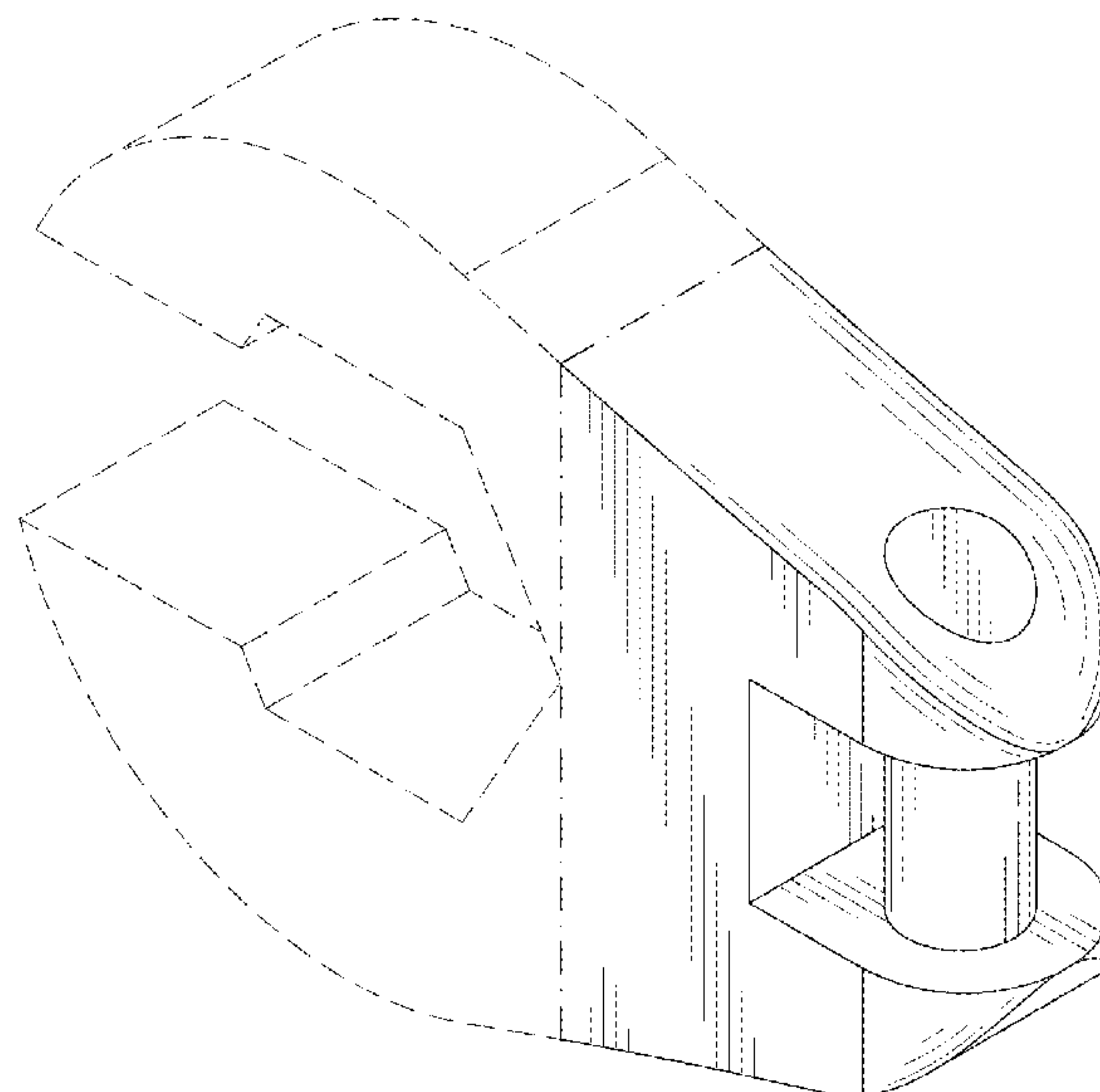
U.S. PATENT DOCUMENTS

DESCRIPTION

2,600,617 A * 6/1952 Coates B25B 13/14
81/177.85
2,715,347 A * 8/1955 Johnson B25B 13/08
81/124.2
2,886,998 A * 5/1959 Scott B25B 13/08
403/92
3,039,339 A * 6/1962 Hanson B25G 1/025
81/177.2
D194,407 S * 1/1963 Fish D8/27
3,779,107 A * 12/1973 Avery B25G 1/063
81/177.8
4,548,104 A * 10/1985 Hendricks B25B 13/14
81/133
4,581,959 A * 4/1986 Troiano B25G 1/063
81/177.9
5,331,869 A * 7/1994 Webb B25F 1/02
16/427
D357,618 S * 4/1995 Macor D8/28

FIG. 1 is a front-right-top perspective view of the open-end wrench showing my new design;
FIG. 2 is a front elevational view thereof;
FIG. 3 is a rear front elevational view thereof;
FIG. 4 is a left side elevational view thereof;
FIG. 5 is a right side elevational view thereof;
FIG. 6 is a top plan view thereof;
FIG. 7 is a bottom plan view thereof; and,
FIG. 8 is an another perspective view thereof.
The broken lines showing in FIGS. 1-8, illustrate portions of the open-end wrench which form no part of the claimed design. The dash-dot broken lines define the bounds of the claimed design and form no part thereof.

1 Claim, 8 Drawing Sheets



(56)

References Cited

U.S. PATENT DOCUMENTS

6,877,404	B2 *	4/2005	Chen	B25G 1/063
					81/177.9
D525,495	S *	7/2006	Hsieh	D8/28
7,261,022	B1 *	8/2007	Hsieh	B25G 1/063
					81/177.85
7,343,836	B1 *	3/2008	Ward	B25B 13/481
					81/177.6
8,757,034	B2 *	6/2014	Skogerboe	B25B 23/0028
					81/177.7
D778,699	S *	2/2017	Roy	D8/27

* cited by examiner

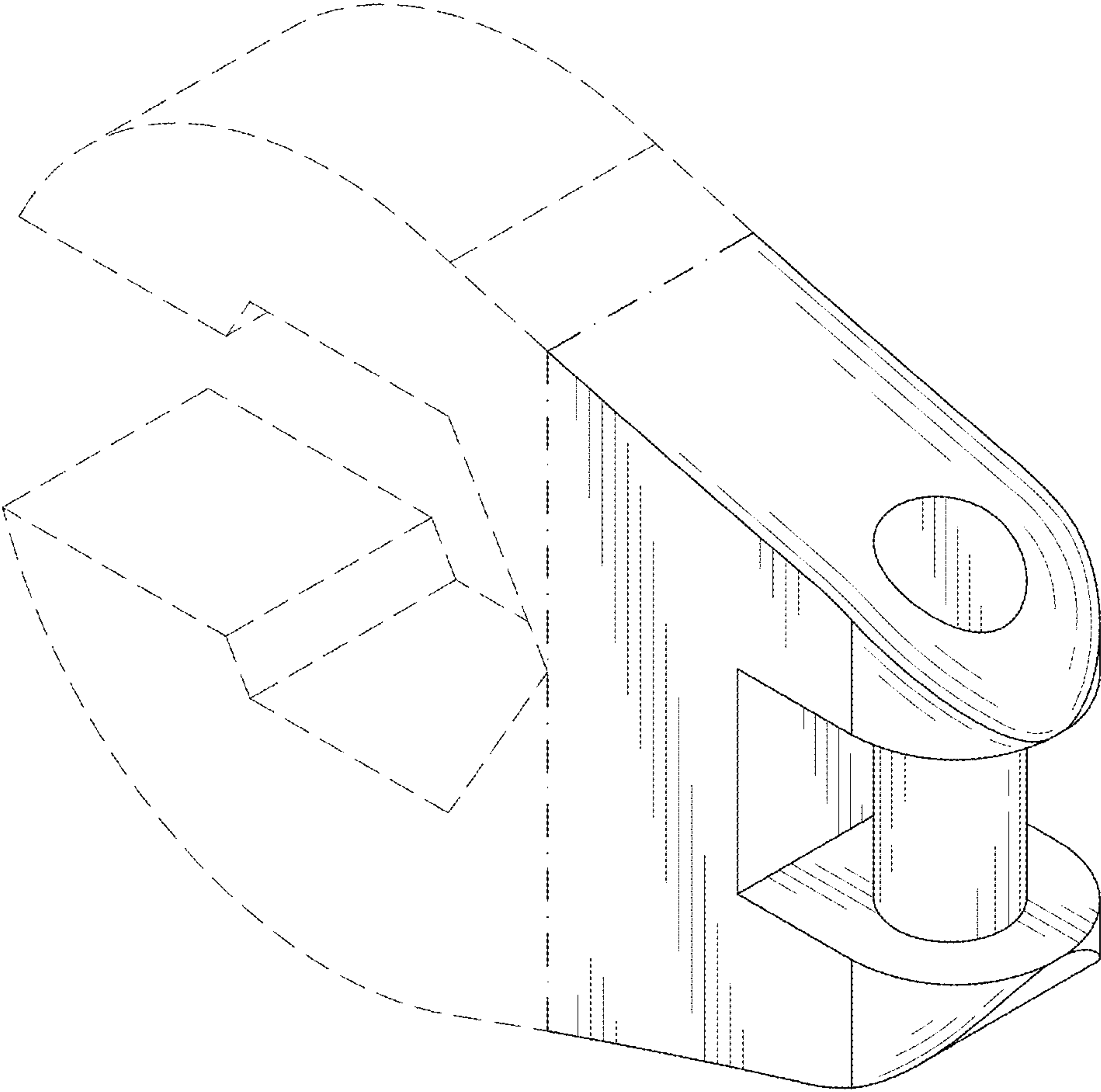


FIG.1

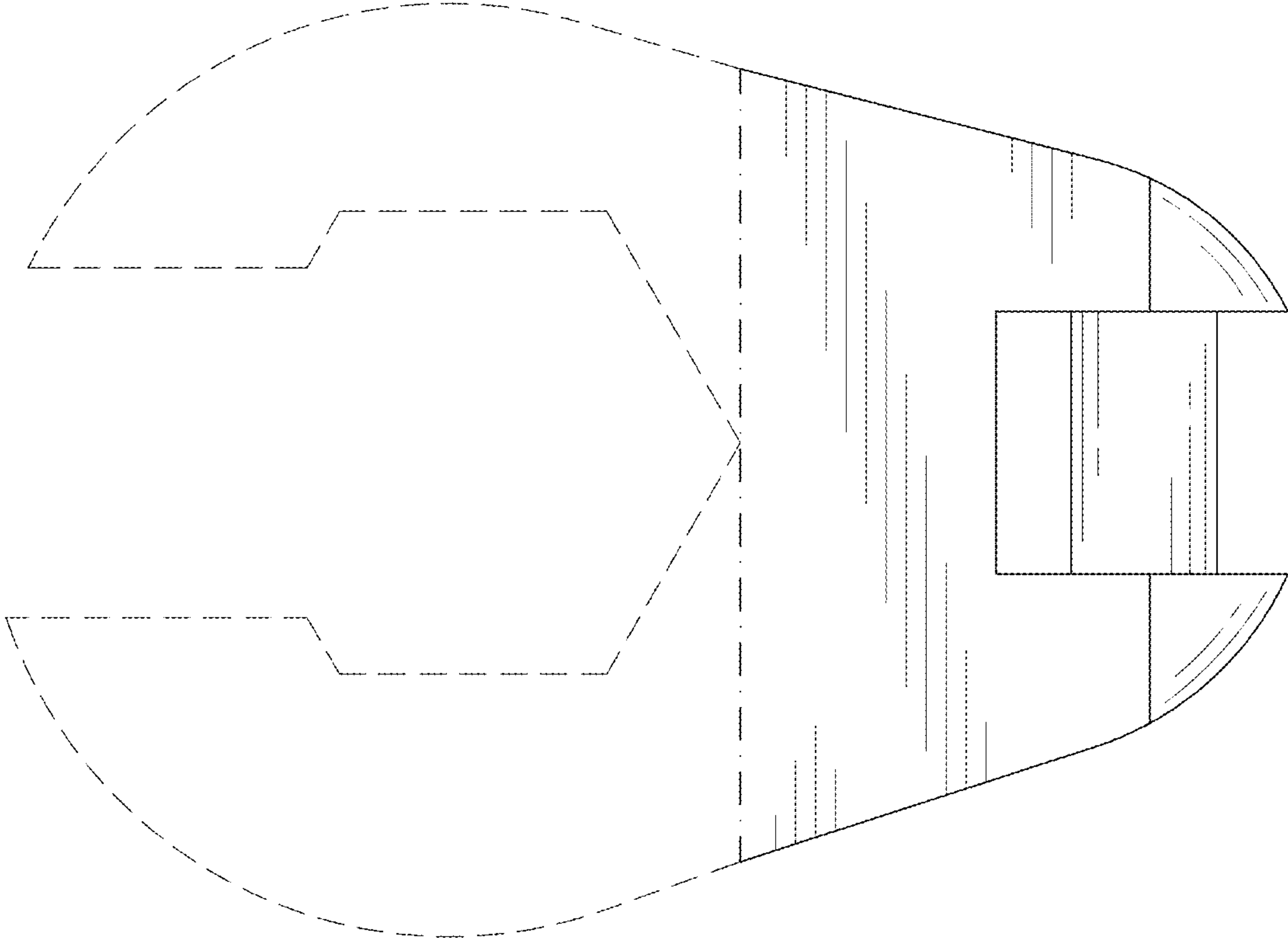


FIG.2

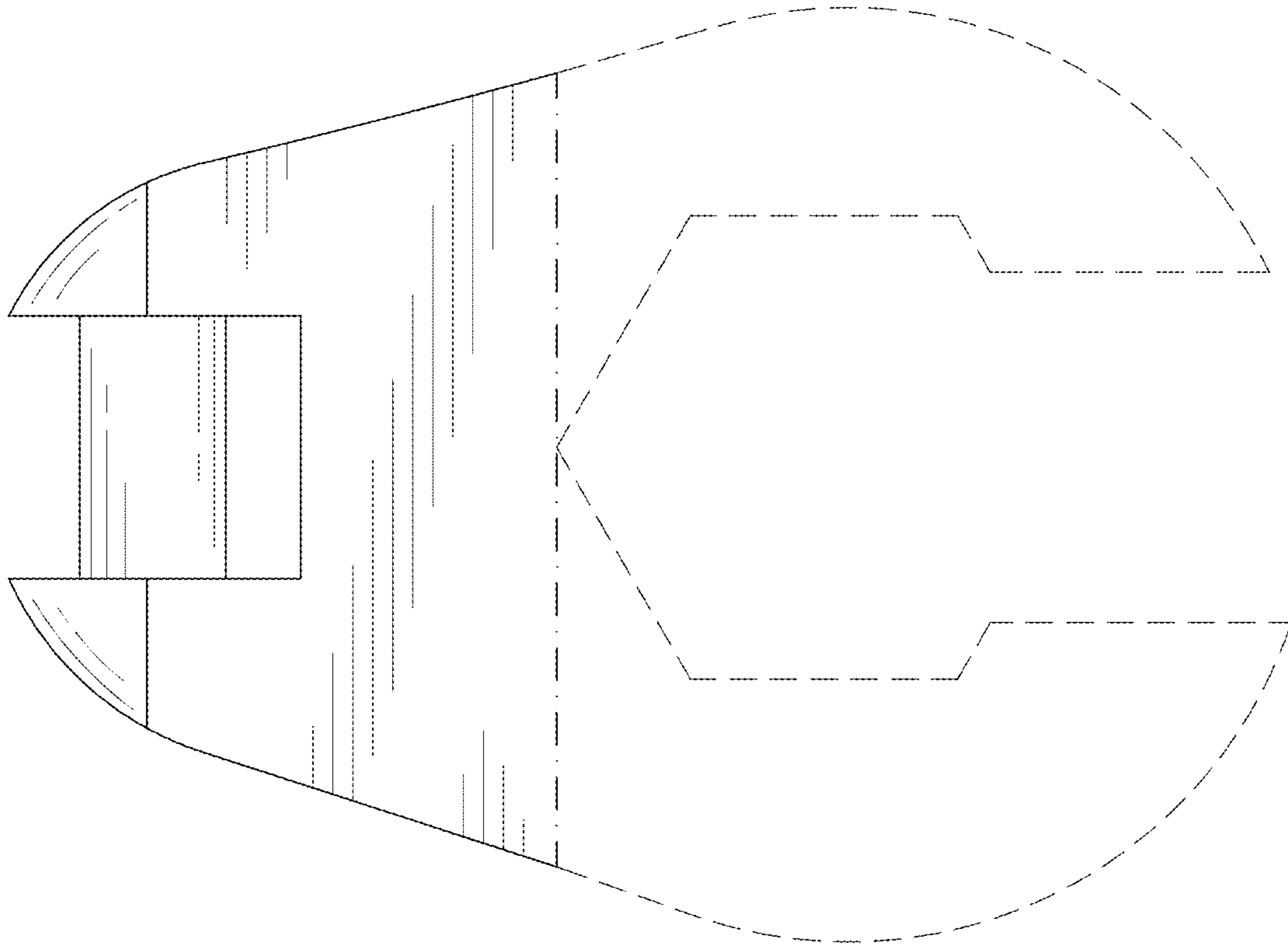


FIG.3

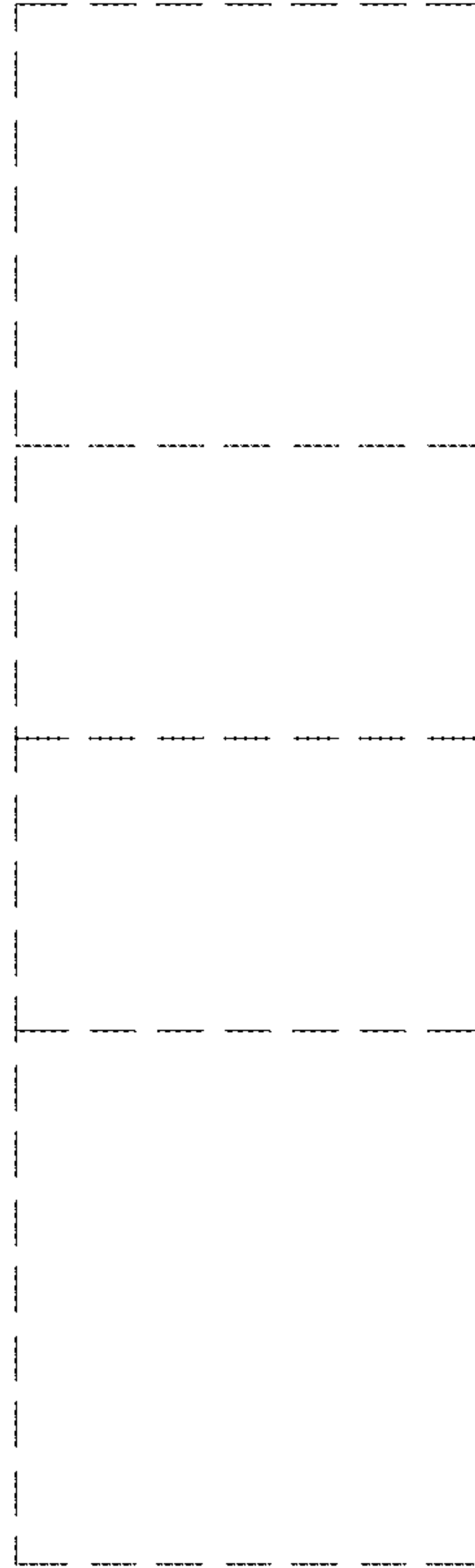


FIG.4

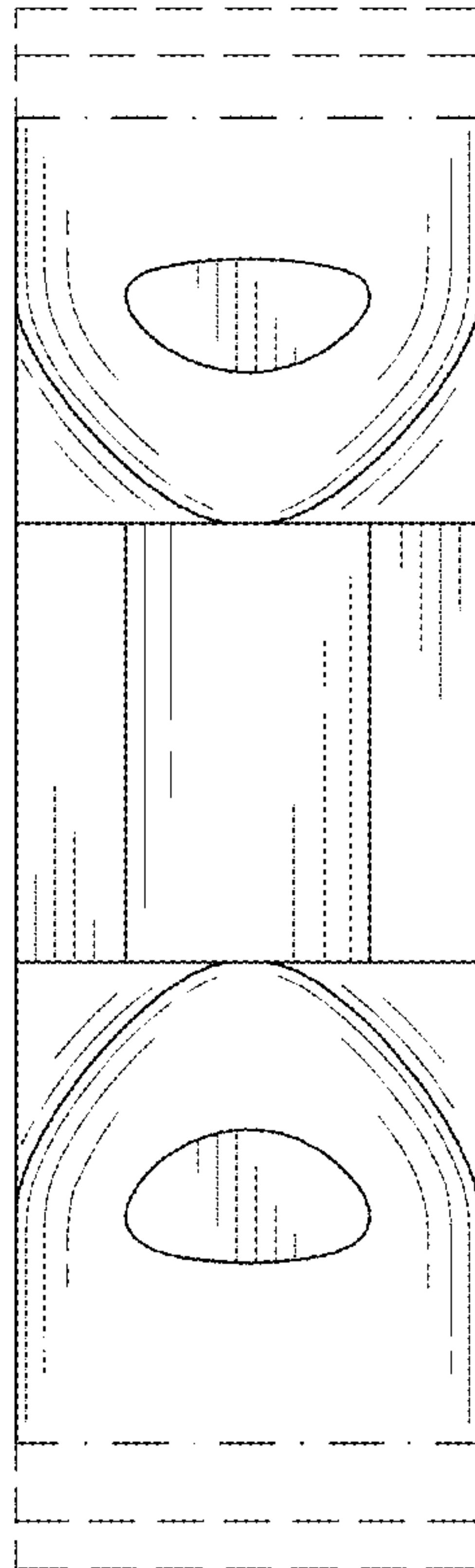


FIG.5

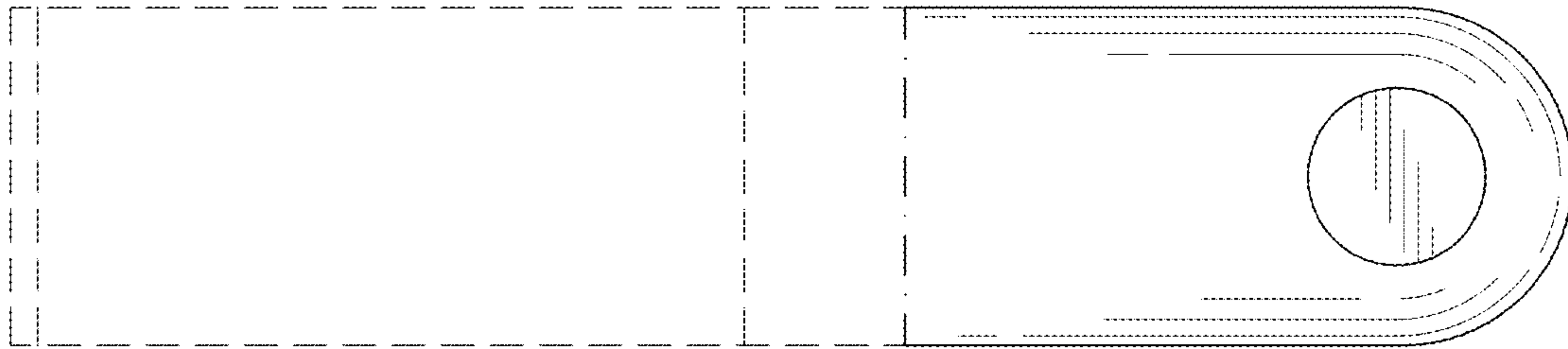


FIG.6

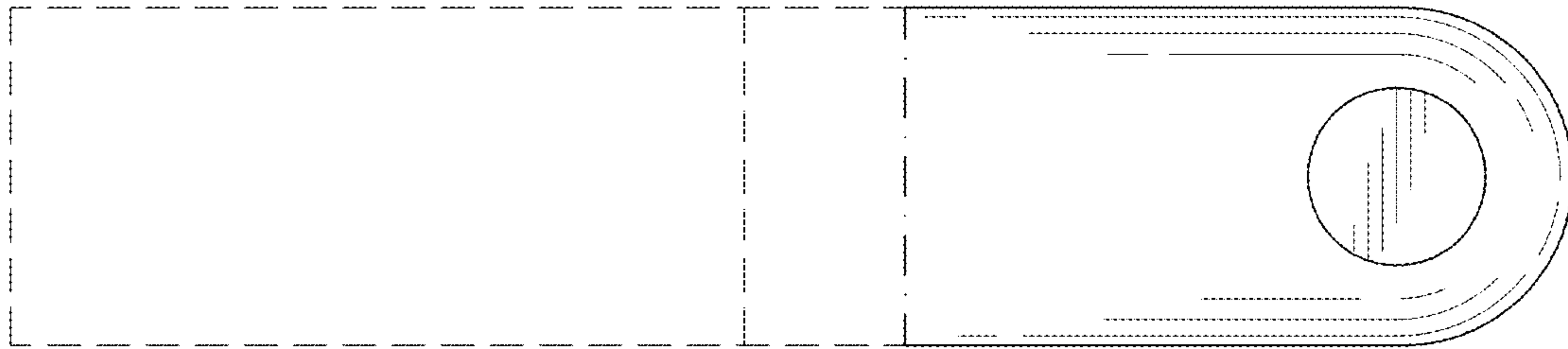


FIG.7

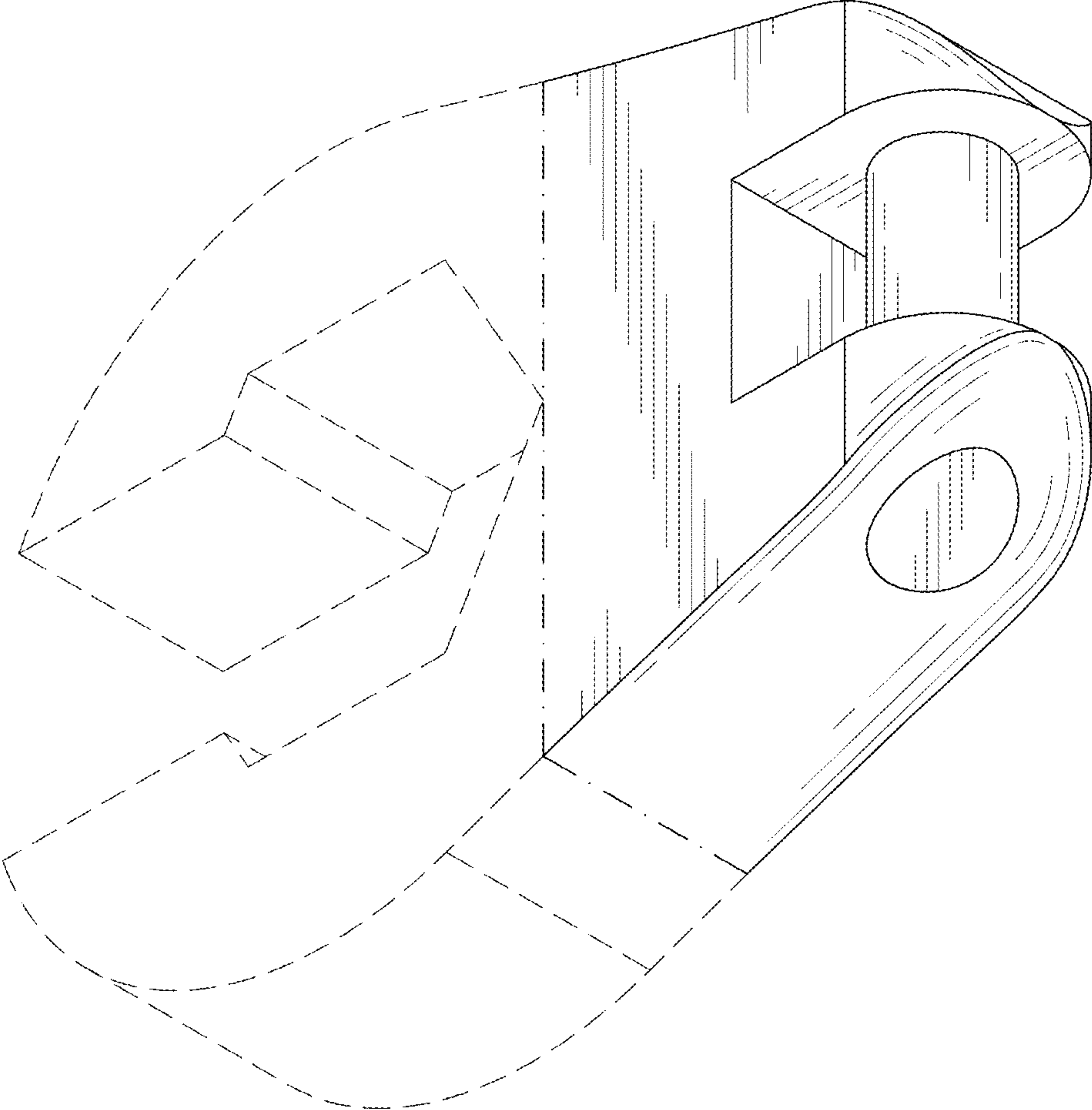


FIG.8