



US0D1010383S

(12) **United States Design Patent**  
**Han et al.**

(10) **Patent No.: US D1,010,383 S**

(45) **Date of Patent: \*\* Jan. 9, 2024**

(54) **BREWER**

(71) Applicant: **Starbucks Corporation**, Seattle, WA (US)

(72) Inventors: **Tsung-Lien Han**, Taipei (TW); **Rong Chen**, Shanghai (CN); **Jeffrey Lynn Jessie**, Shohomish, WA (US); **Stephanie Wanti Lim**, Seattle, WA (US); **Michael Sean**, Tokyo (JP)

(73) Assignee: **Starbucks Corporation**, Seattle, WA (US)

(\*\*) Term: **15 Years**

(21) Appl. No.: **29/737,137**

(22) Filed: **Jun. 5, 2020**

(51) **LOC (14) Cl.** ..... **07-02**

(52) **U.S. Cl.**  
USPC ..... **D7/310; D7/311; D7/312**

(58) **Field of Classification Search**  
USPC ..... **D7/300, 301, 305, 390-312, 397-401; D15/82**

(Continued)

(56) **References Cited**

**U.S. PATENT DOCUMENTS**

D185,115 S \* 5/1959 Beerman ..... D7/700  
3,393,892 A \* 7/1968 Buck ..... A47G 23/0216  
248/346.11

(Continued)

**FOREIGN PATENT DOCUMENTS**

CN 302746150 S 2/2014  
CN 303117678 S 3/2015

(Continued)

**OTHER PUBLICATIONS**

“15 Pour Over Coffee Stands That All You Coffee Snobs Need To Be Aware Of,” May 4, 2016, *Contemporist*, www.contemporist.com/15-pour-over-coffee-stands/ (Year: 2016).\*

*Primary Examiner* — Joseph Kukella

*Assistant Examiner* — Arva P Adams

(74) *Attorney, Agent, or Firm* — Knobbe, Martens, Olson & Bear LLP

(57) **CLAIM**

The ornamental design for a brewer, as shown and described herein.

**DESCRIPTION**

FIG. 1 is a perspective view of a brewer showing a first embodiment of our design;

FIG. 2 is another perspective view of the first embodiment;

FIG. 3 is a front elevation view of the first embodiment;

FIG. 4 is a rear elevation view fo the first embodiment;

FIG. 5 is a left-side elevation view of the first embodiment;

FIG. 6 is a right-side elevation view of the first embodiment;

FIG. 7 is a top plan view of the first embodiment;

FIG. 8 is a bottom plan view of the first embodiment;

FIG. 9 is a perspective view of a brewer showing a second embodiment of our design;

FIG. 10 is another perspective view of the second embodiment;

FIG. 11 is a front elevation view of the second embodiment;

FIG. 12 is a rear elevation view of the second embodiment;

FIG. 13 is a left-side elevation view of the second embodiment;

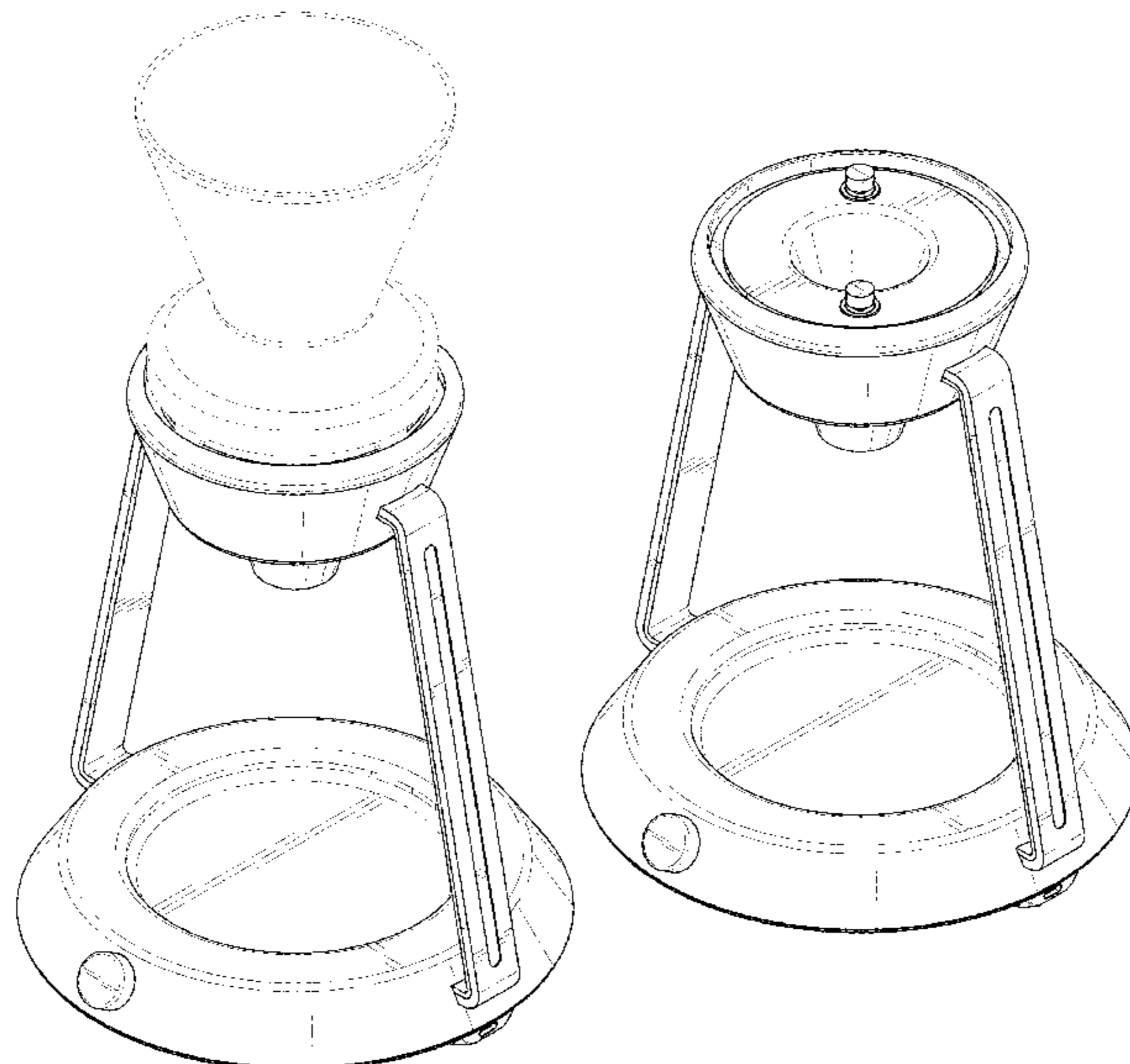
FIG. 14 is a right-side elevation view of the second embodiment;

FIG. 15 is a top plan view of the second embodiment; and,

FIG. 16 is a bottom plan view of the second embodiment.

The broken lines shown in the drawings represent environment and form no part of the claimed design.

**1 Claim, 16 Drawing Sheets**



(58) **Field of Classification Search**  
 CPC ..... A47J 31/057; A47J 31/06; A47J 31/0626;  
 A47J 31/0636  
 See application file for complete search history.

2017/0360251 A1 12/2017 Miller  
 2018/0000278 A1 1/2018 Krinitchko  
 2018/0153338 A1 6/2018 Mangold et al.  
 2020/0022527 A1 1/2020 Chen et al.

(56) **References Cited**

**FOREIGN PATENT DOCUMENTS**

**U.S. PATENT DOCUMENTS**

D234,285 S \* 2/1975 Wickenberg ..... D7/700  
 D249,317 S \* 9/1978 Korn ..... D7/619.1  
 D324,149 S \* 2/1992 Beeren ..... D7/300  
 6,272,974 B1 8/2001 Pascotti et al.  
 6,327,965 B1 12/2001 Lin Tien  
 6,802,246 B1 10/2004 Chang et al.  
 6,964,222 B1 11/2005 Tucker  
 D569,685 S 5/2008 Liu  
 D578,348 S 10/2008 Liu  
 D585,693 S \* 2/2009 Wright ..... D7/311  
 D639,598 S \* 6/2011 Eckholm ..... D7/311  
 D663,579 S \* 7/2012 Yang ..... D7/397  
 D690,992 S 10/2013 Ball  
 8,973,787 B2 \* 3/2015 Benayas-Perez ..... F25D 3/08  
 222/514  
 D726,479 S \* 4/2015 Andreesen ..... A47J 31/46  
 D7/311  
 9,675,200 B2 6/2017 Hsu  
 D852,566 S 7/2019 Chen  
 D852,567 S \* 7/2019 Chen ..... F25D 3/08  
 D7/311  
 D860,707 S \* 9/2019 Pirnat ..... A47G 23/0216  
 D7/310  
 D873,597 S \* 1/2020 Fisher Wong ..... D7/311  
 2008/0199580 A1 8/2008 Accumanno et al.  
 2008/0202346 A1 8/2008 Accumanno et al.  
 2009/0317526 A1 12/2009 Tacklind et al.  
 2013/0019755 A1 1/2013 Tien et al.  
 2014/0366741 A1 12/2014 Huang  
 2015/0075387 A1 \* 3/2015 Lee ..... A47J 31/46  
 99/289 R

CN 303659838 S 5/2016  
 CN 303965496 S 12/2016  
 CN 304101030 S 4/2017  
 CN 304149277 S 5/2017  
 CN 304304507 S 10/2017  
 CN 304798708 S 9/2018  
 CN 304824509 S 9/2018  
 CN 305335328 S 9/2019  
 CN 305425171 S 11/2019  
 EM 000361720-0001 8/2005  
 EM 000996665-0001 9/2008  
 EM 002120832-0003 10/2012  
 EM 002196543-0001 3/2013  
 EM 002298869-0001 9/2013  
 EM 004013001-0006 8/2017  
 EM 004353803-0002 11/2017  
 EM 004543981-0001 12/2017  
 EM 006124640-0001 2/2019  
 EP 1808110 A1 7/2007  
 EP 3193677 B1 4/2019  
 EP 3574807 A1 12/2019  
 GB 2476950 B 11/2011  
 HK 2118606-0001 \* 11/2021  
 HK 2118606-0002 \* 11/2021  
 KR 300765787.0000 \* 10/2014  
 TW M344824 11/2008  
 TW 166788-0001 \* 4/2015  
 WO WO 2007/090391 A1 8/2007  
 WO WO 2007/093460 A2 8/2007  
 WO WO 2008/103281 A1 8/2008  
 WO WO 2018/167729 A1 9/2018  
 WO WO 2019/117260 A1 6/2019

\* cited by examiner

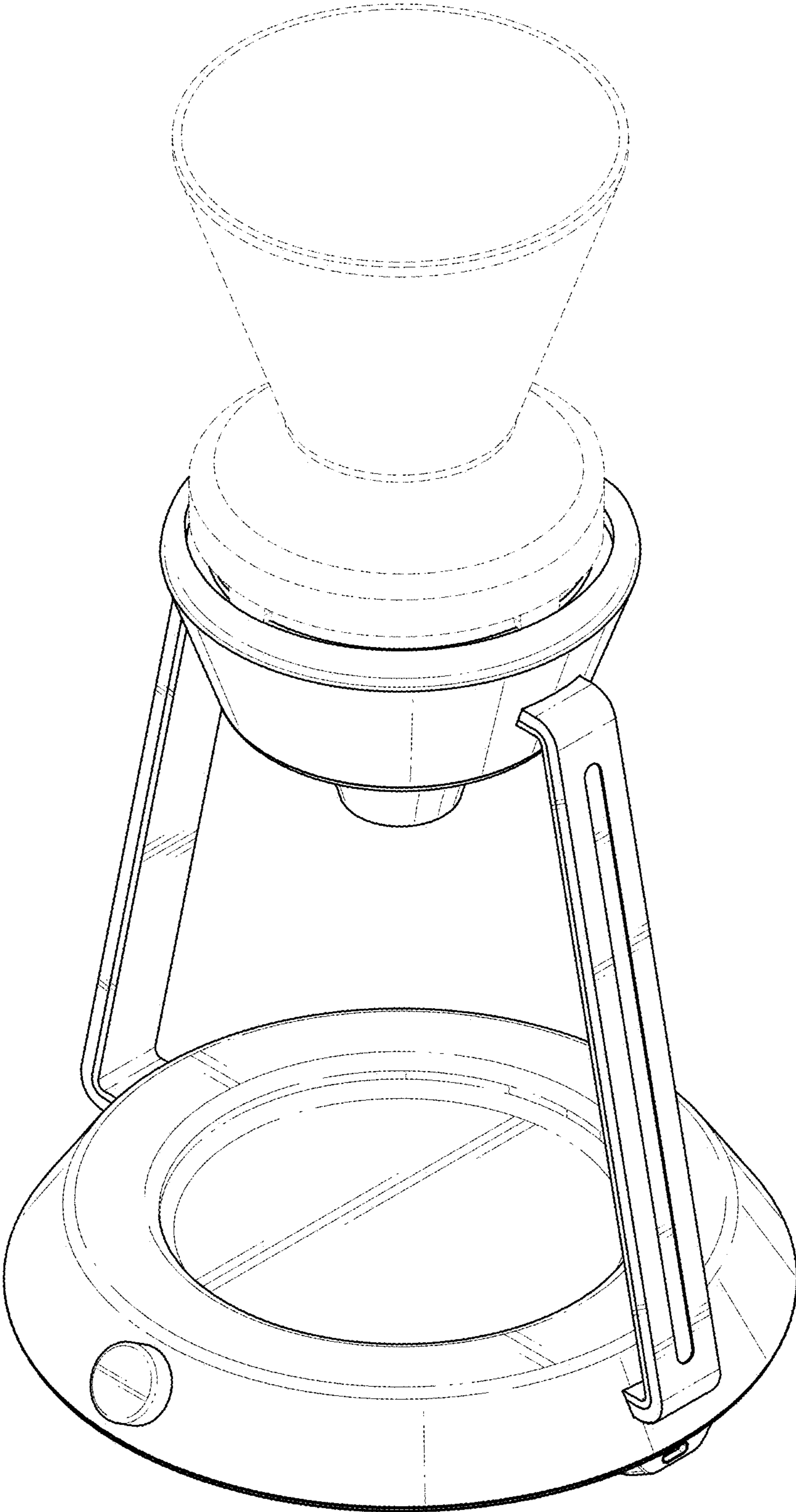
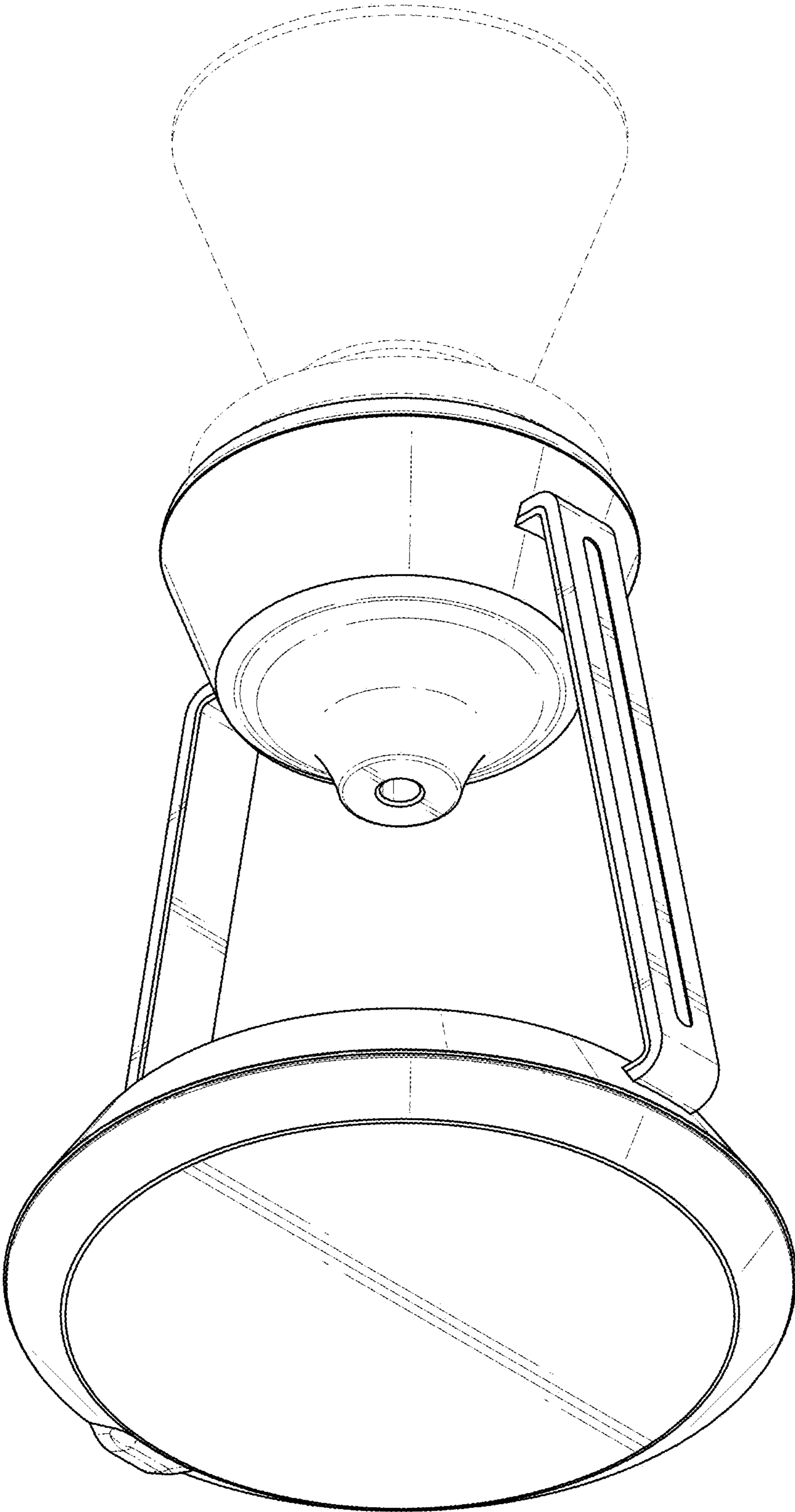


FIG. 1



*FIG. 2*

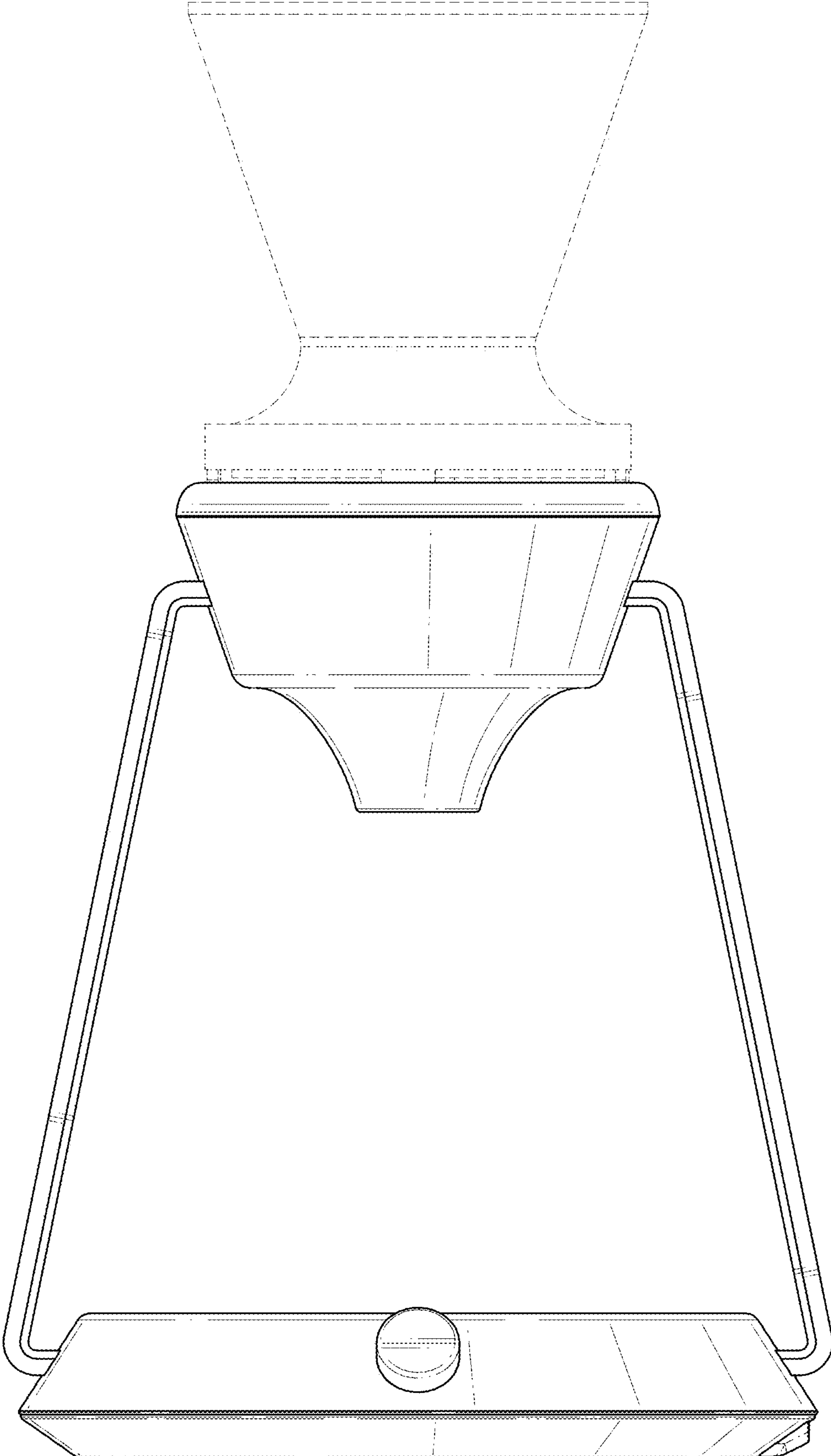


FIG. 3

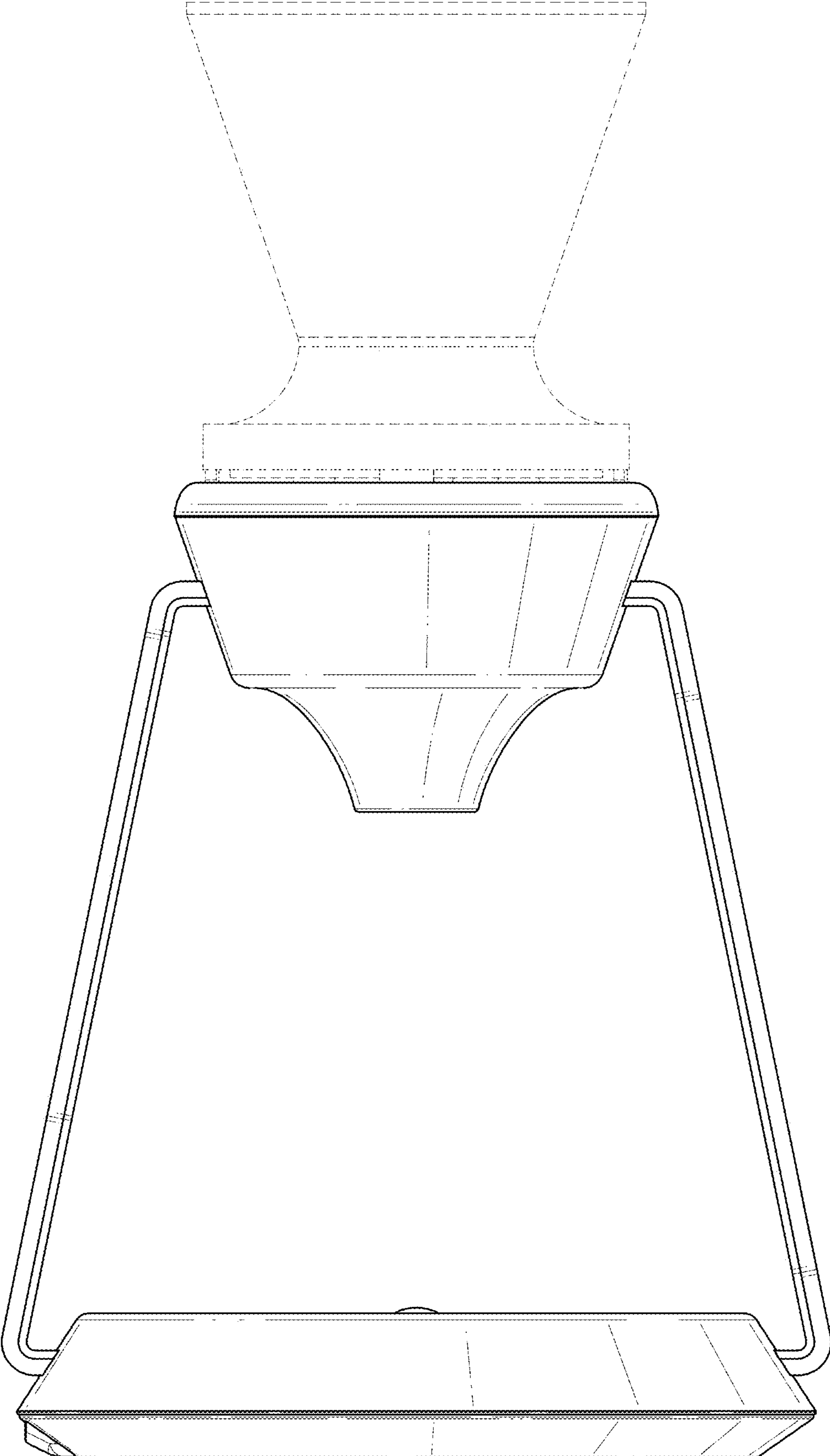
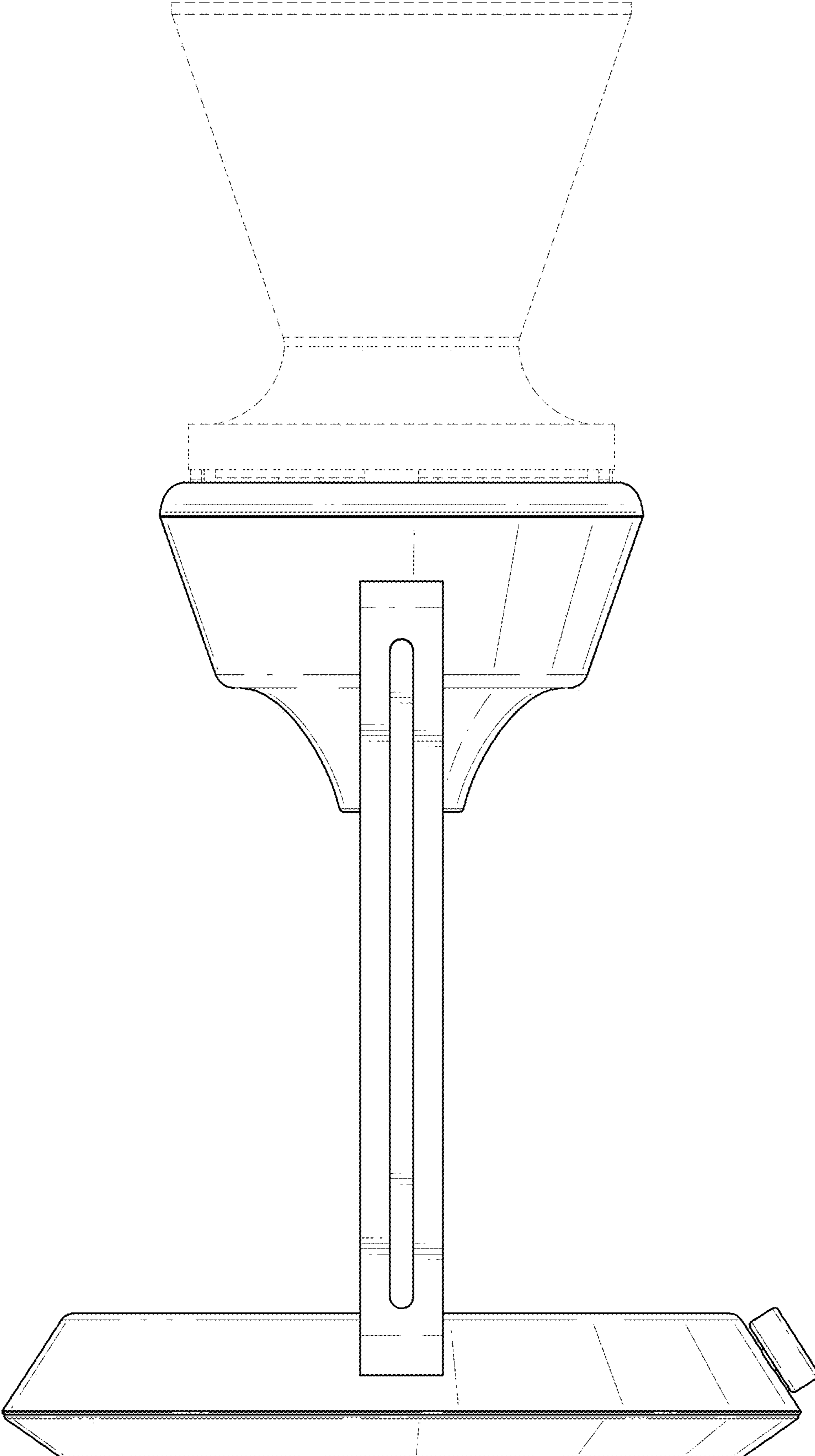


FIG. 4



*FIG. 5*

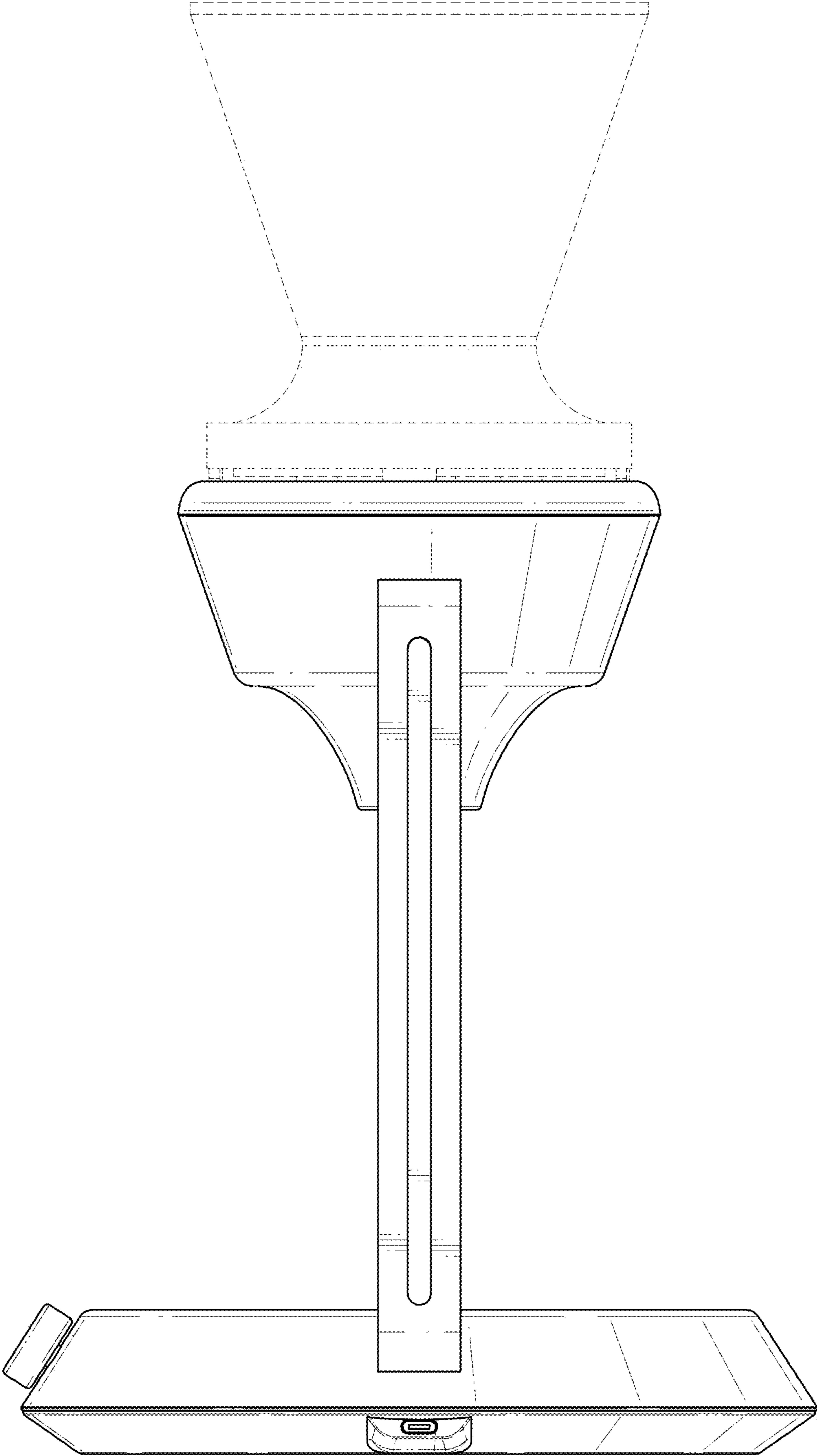
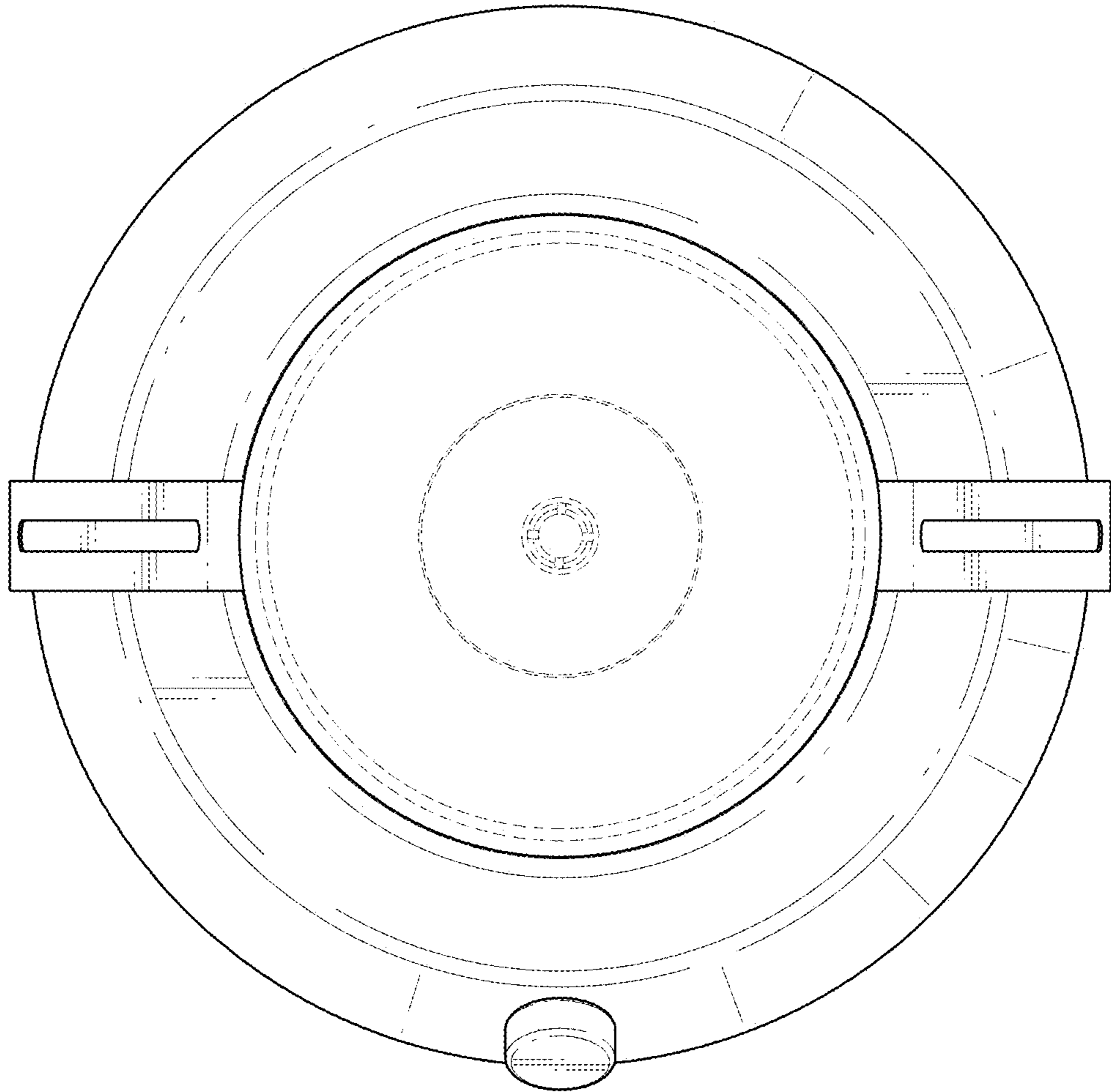
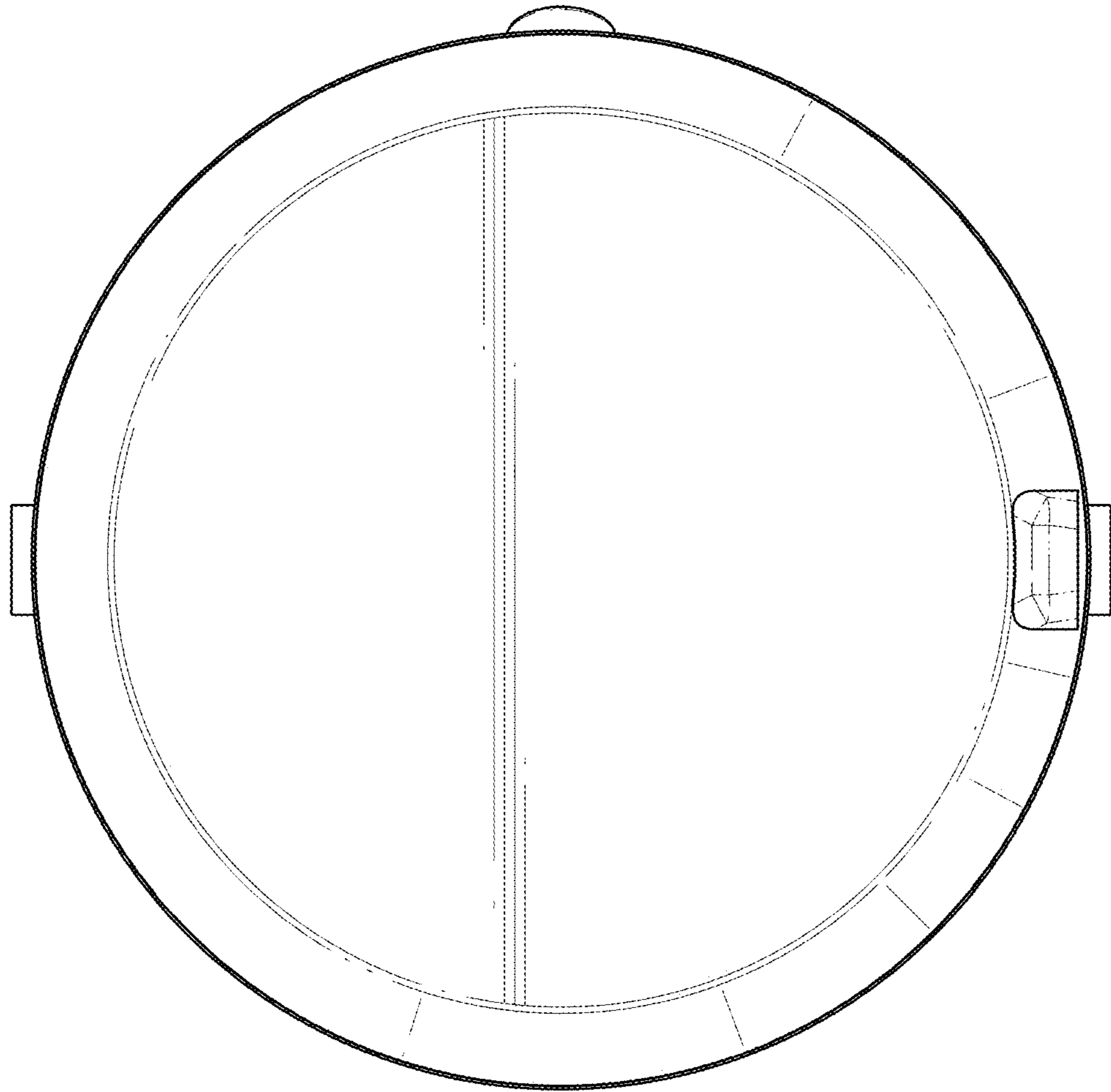


FIG. 6

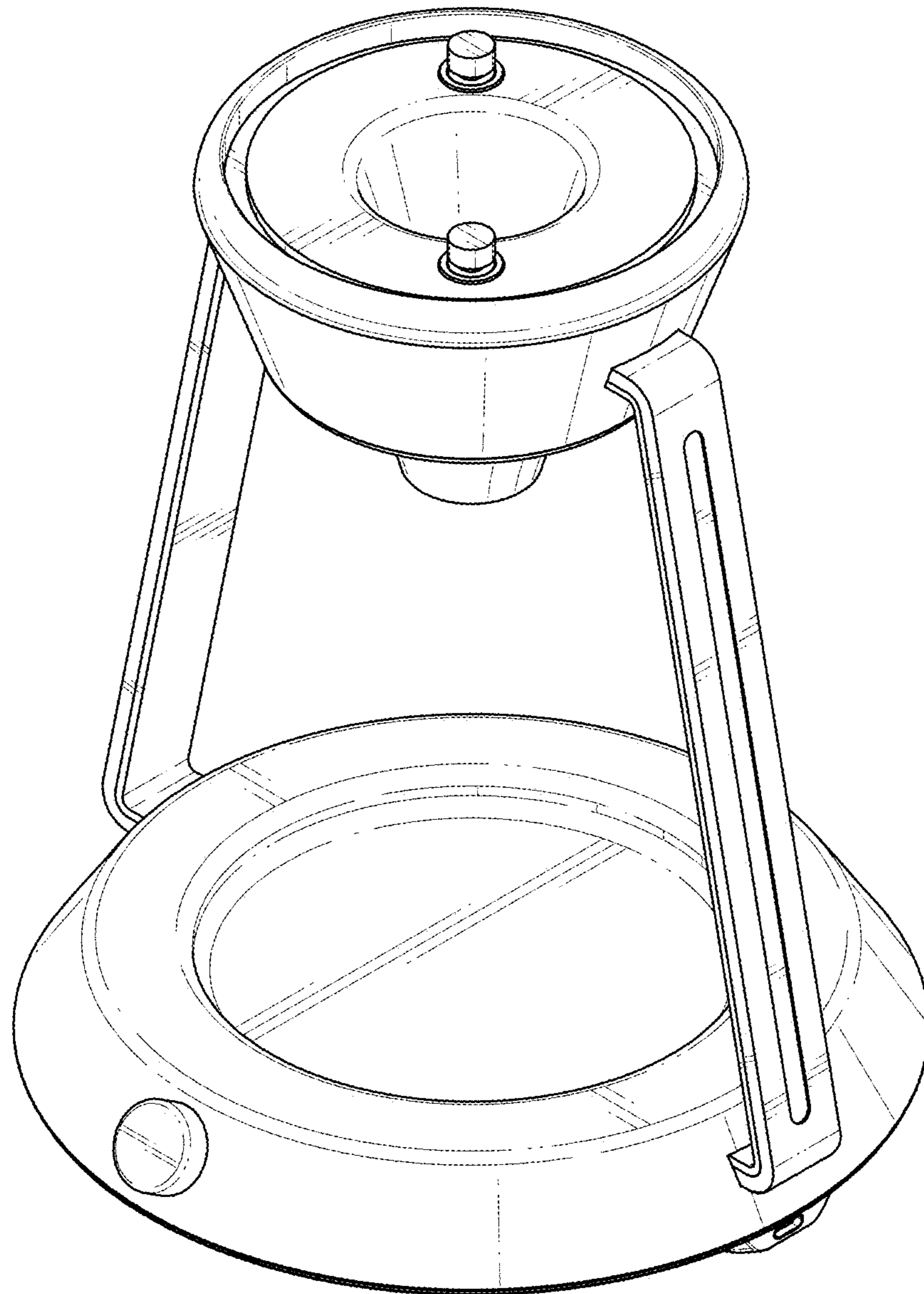




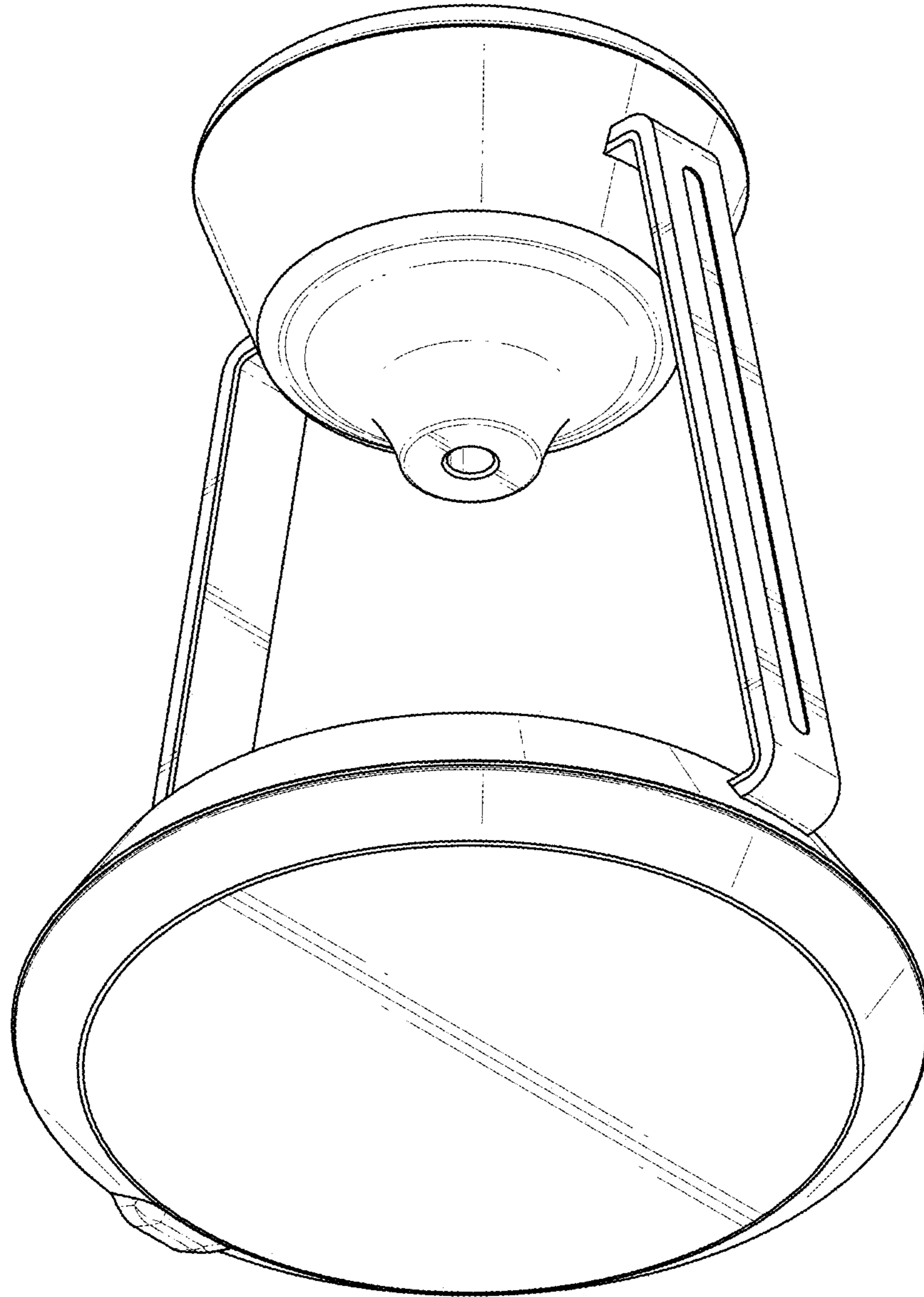
*FIG. 7*



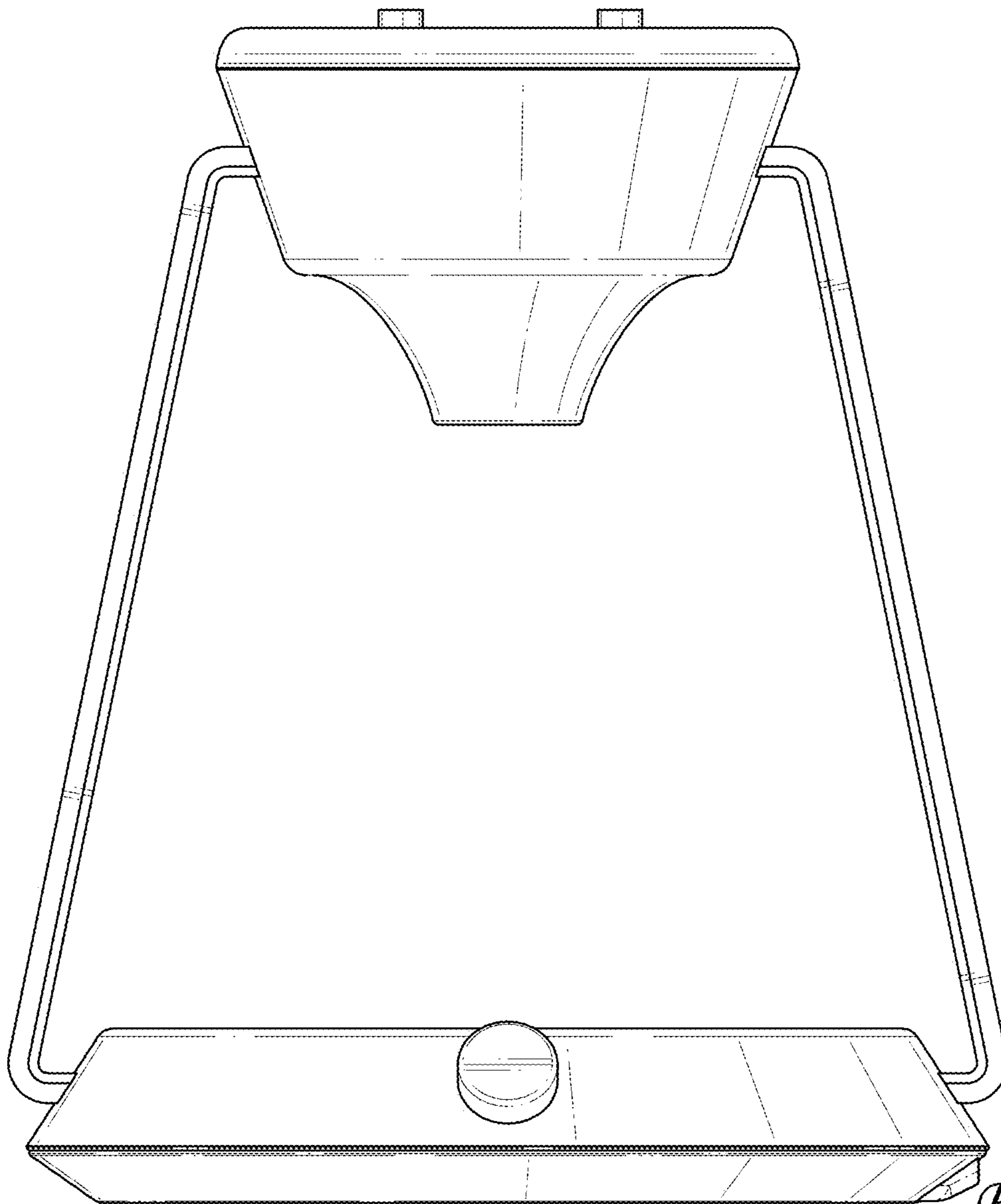
*FIG. 8*



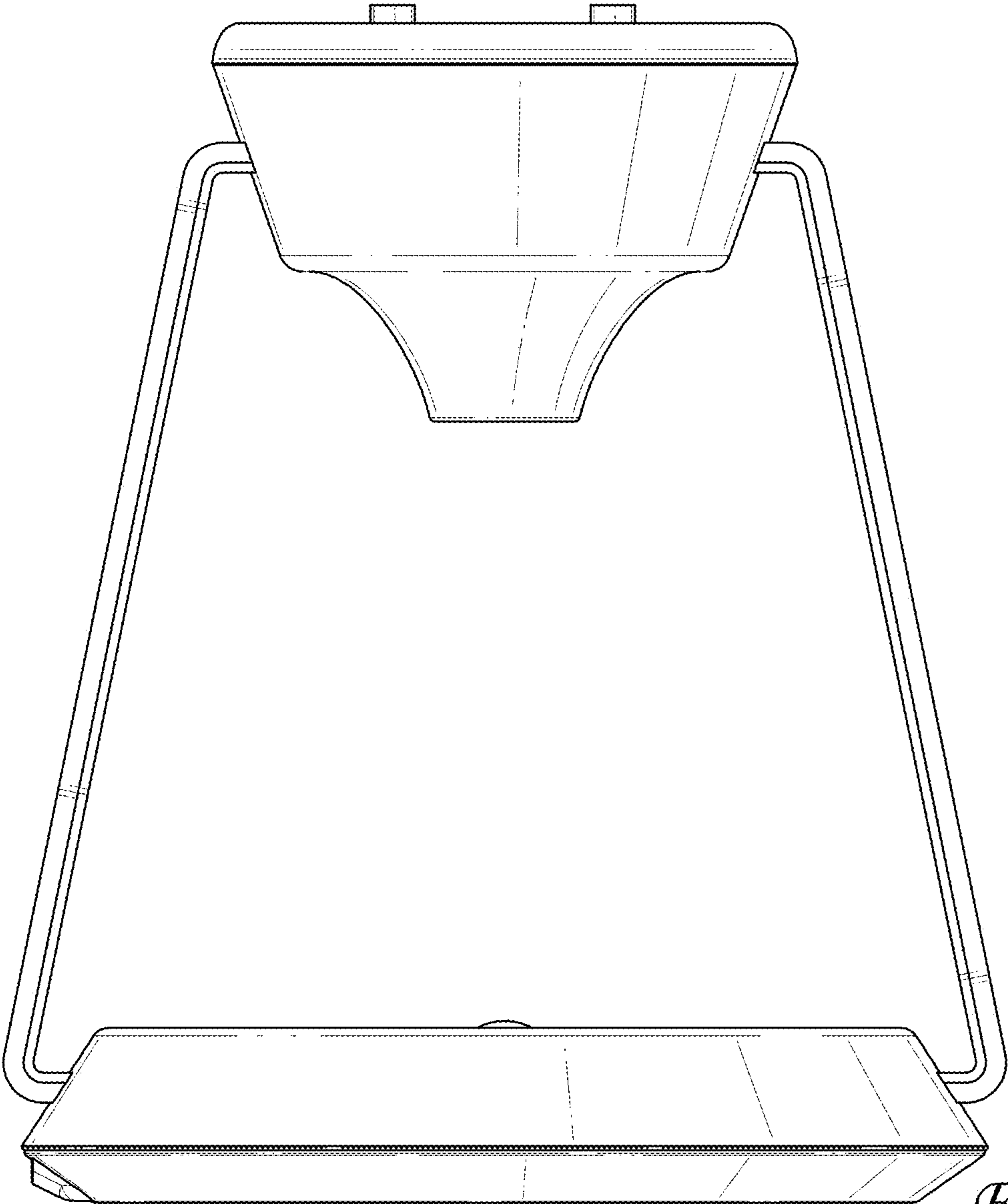
*FIG. 9*



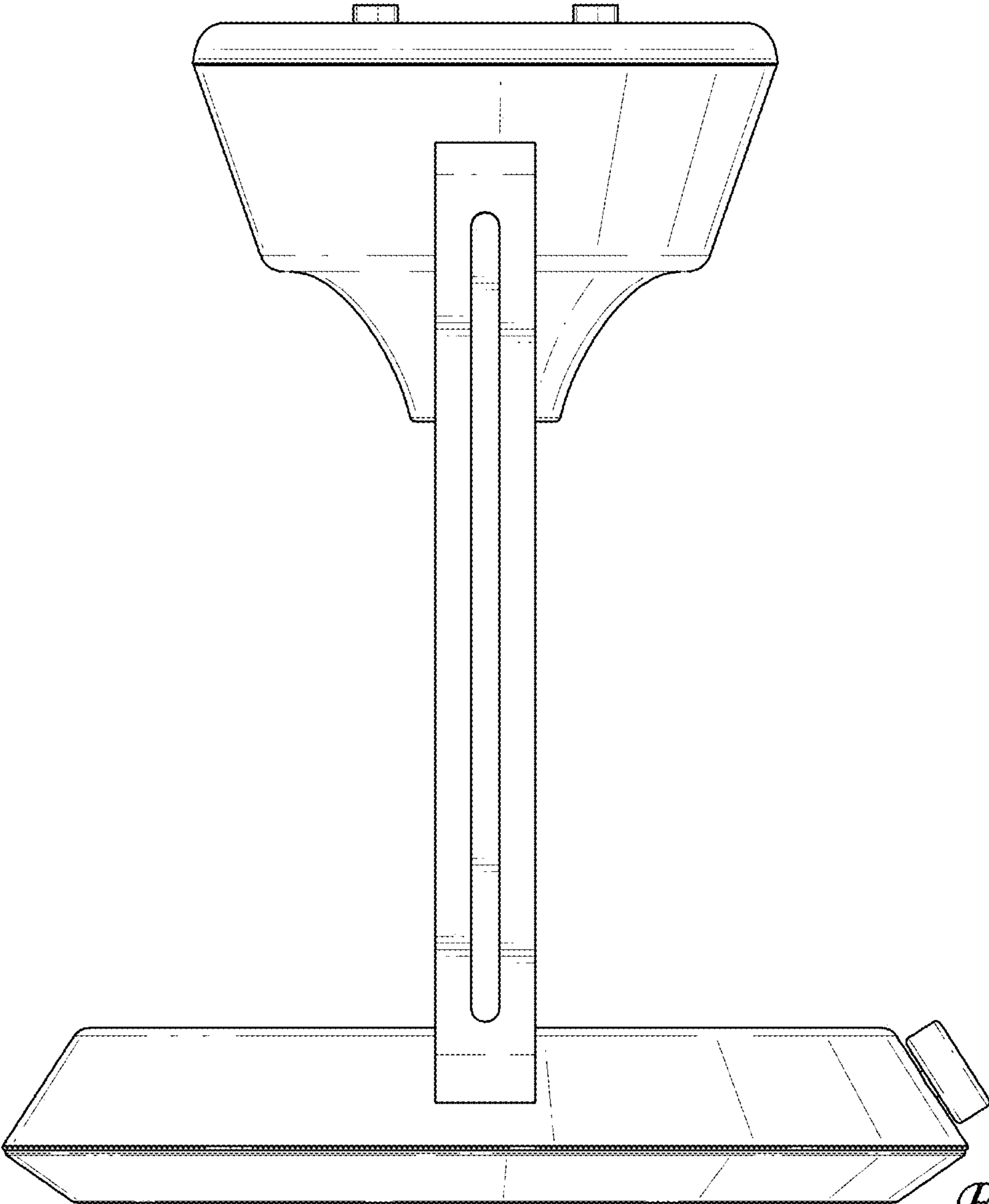
*FIG. 10*



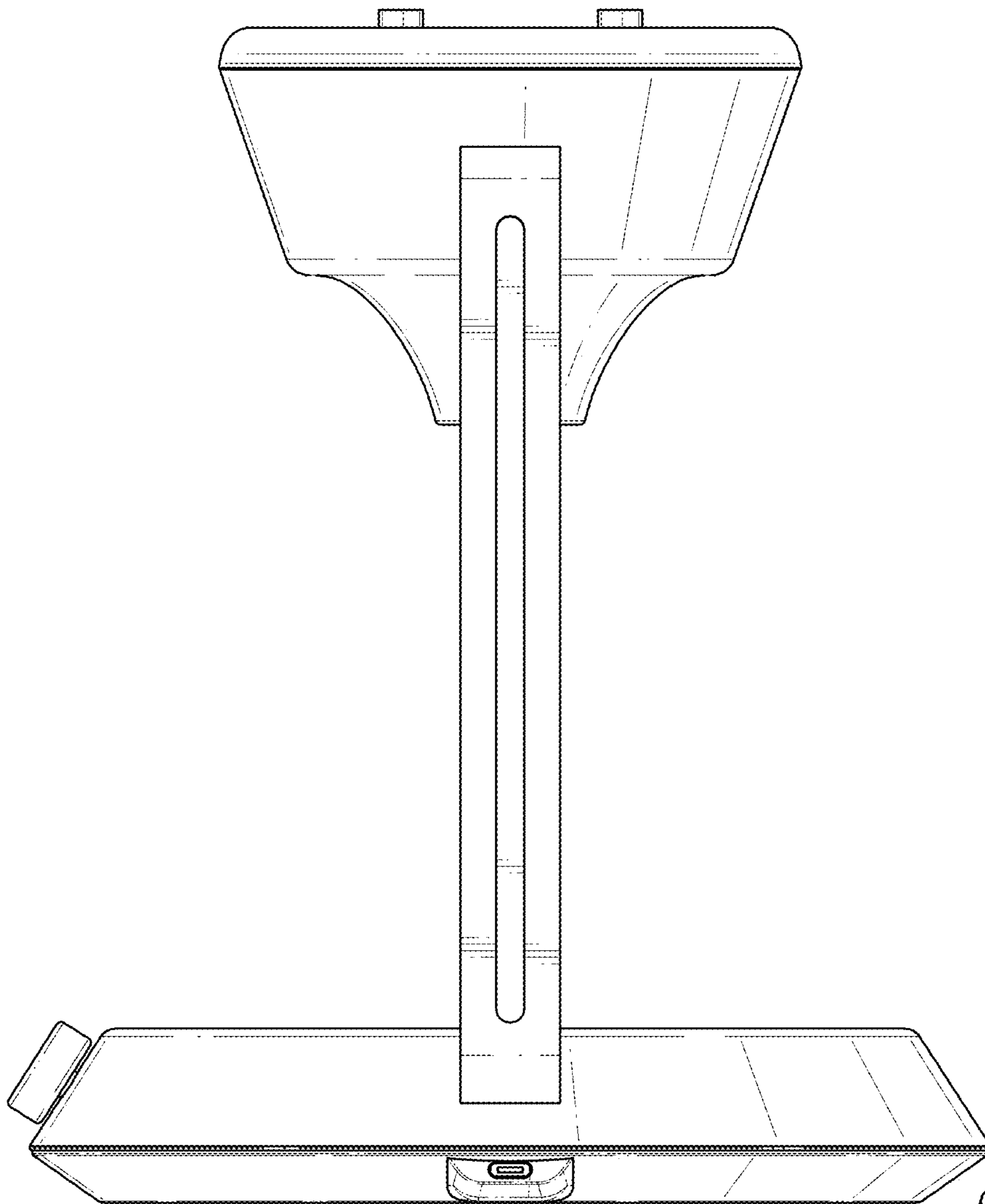
*FIG. 11*



*FIG. 12*

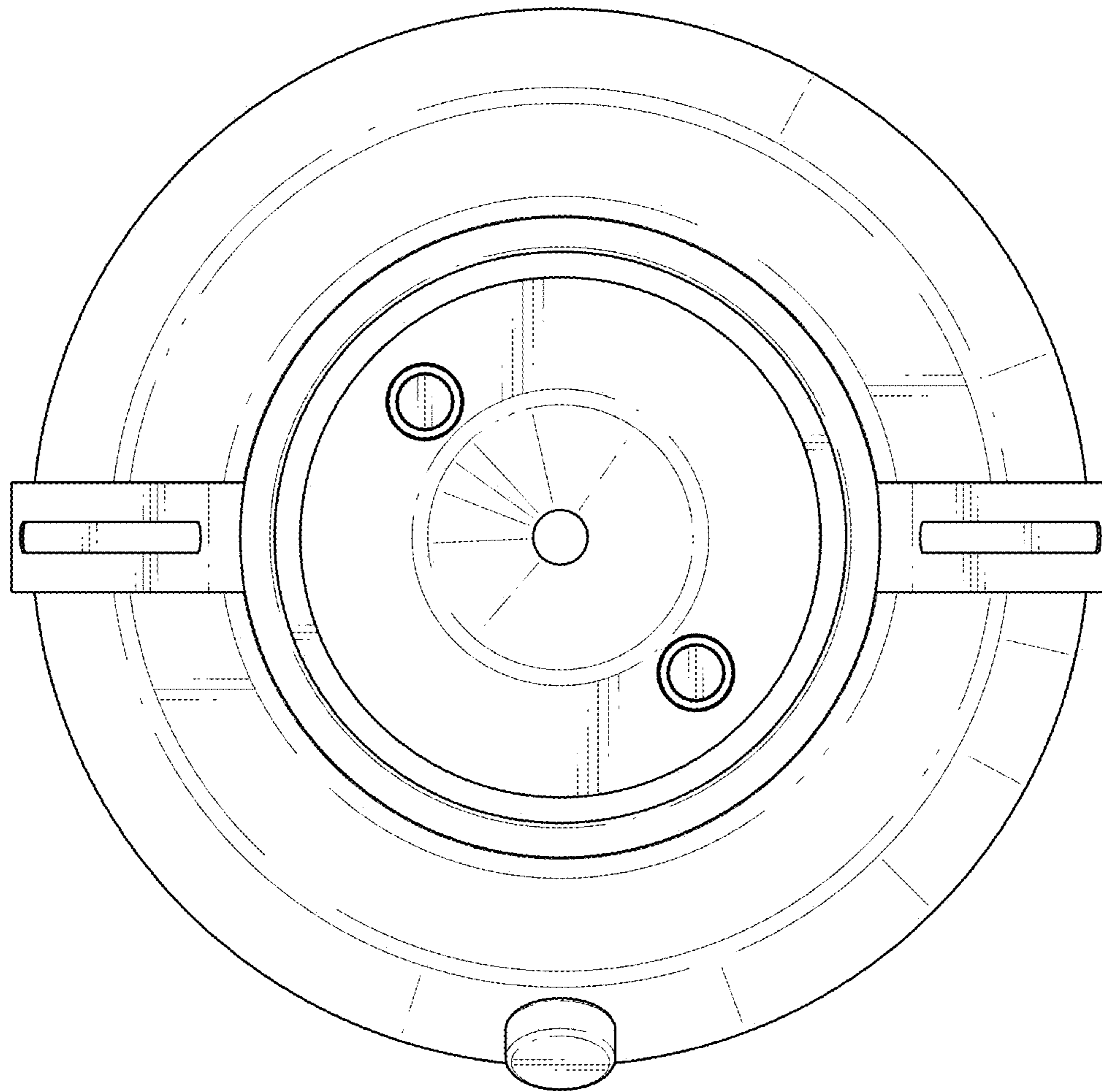


*FIG. 13*

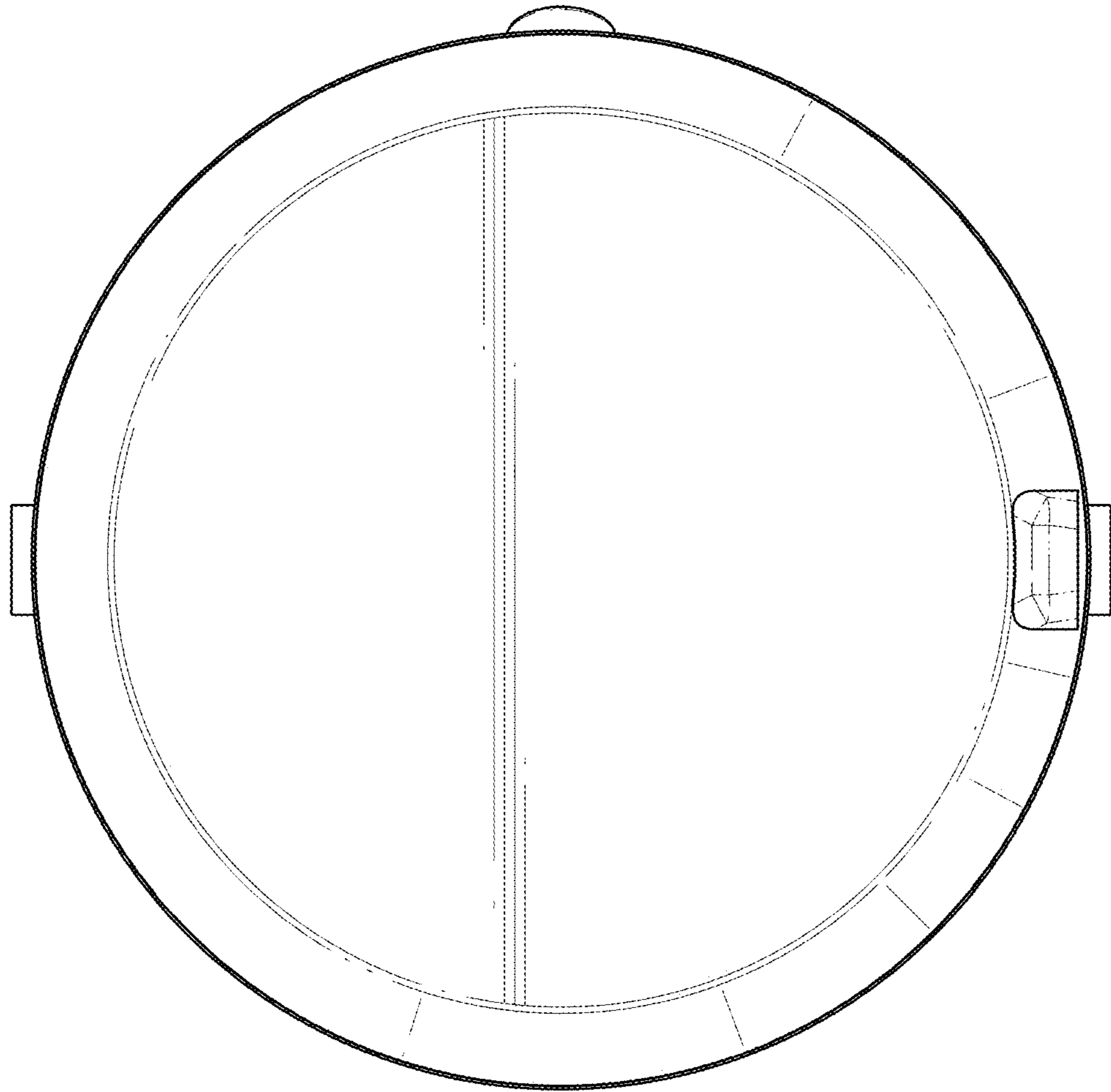


*FIG. 14*





*FIG. 15*



*FIG. 16*

UNITED STATES PATENT AND TRADEMARK OFFICE  
**CERTIFICATE OF CORRECTION**

PATENT NO. : D1,010,383 S  
APPLICATION NO. : 29/737137  
DATED : January 9, 2024  
INVENTOR(S) : Tsung-Lien Han et al.

Page 1 of 1

It is certified that error appears in the above-identified patent and that said Letters Patent is hereby corrected as shown below:

On the Title Page

Item (72) 1st Inventor "Tsung-Lien Han", change address from "Taipey (TW)" to "Taipei (TW)"

Item (72) 3rd Inventor "Jeffrey Lynn Jessie", change address from "Shohomish, WA (US)" to "Snohomish, WA (US)"

Column 2, Line 5, under DESCRIPTION, delete "fo" and insert --of--

Signed and Sealed this  
Twenty-sixth Day of March, 2024  
*Katherine Kelly Vidal*

Katherine Kelly Vidal  
*Director of the United States Patent and Trademark Office*