

US0D1010307S

(12) **United States Design Patent** (10) **Patent No.:** **US D1,010,307 S**
Alamdar (45) **Date of Patent:** **** Jan. 9, 2024**

(54) **SADDLEBAG**
(71) Applicant: **Husnain Alamdar**, Brea, CA (US)
(72) Inventor: **Husnain Alamdar**, Brea, CA (US)
(**) Term: **15 Years**
(21) Appl. No.: **29/714,878**
(22) Filed: **Nov. 26, 2019**

D710,600 S * 8/2014 Alamdar D3/231
D710,602 S * 8/2014 Alamdar D3/231
D770,766 S * 11/2016 Slimane D3/243
D778,600 S * 2/2017 Heyman D3/243
D812,524 S * 3/2018 Alamdar D12/114
D814,178 S * 4/2018 Spaziani D3/243
D821,745 S * 7/2018 Dumas D3/232
D823,598 S * 7/2018 Krainz D3/299
D825,180 S * 8/2018 Galanti D3/243
D885,052 S * 5/2020 Cadmus D3/299
D897,098 S * 9/2020 Al-Ali D3/247

Related U.S. Application Data

(63) Continuation-in-part of application No. 29/714,870, filed on Nov. 26, 2019.
(51) **LOC (14) Cl.** **03-01**
(52) **U.S. Cl.**
USPC **D3/231**
(58) **Field of Classification Search**
USPC D3/201, 203.1, 203.3, 203.6, 203.7,
D3/203.8, 205, 217, 231, 232, 243, 247,
D3/248, 249, 250, 253, 294, 295, 298,
D3/299, 300, 302, 303, 304, 313, 315,
D3/900; D6/514
CPC A45C 3/001; A45C 2007/0004; A45C
2007/0013; A45C 7/0027; A45C 11/26;
A45C 13/02; A45C 2003/005
See application file for complete search history.

References Cited

U.S. PATENT DOCUMENTS

D160,475 S * 10/1950 Cohan D3/243
D324,136 S * 2/1992 Lee D3/231
D399,058 S * 10/1998 Wyant D3/303
6,010,050 A * 1/2000 Tarr A45C 3/02
224/578
D607,638 S * 1/2010 Hensley D3/231
D626,331 S * 11/2010 Guyon D3/243
D650,989 S * 12/2011 Littleton D3/299

OTHER PUBLICATIONS

Willie & Max Deluxe Throw-Over Slant Saddlebags, posted at revzilla.com no posting date, retrieved Mar. 24, 2021, online, URL: https://www.revzilla.com/motorcycle/willie-max-deluxe-throw-over-slant-saddlebags?gclid=CjwKCAjwxuuCBhATEiwAllIz0Rs_zUGrBT3JPBAork_4qXcJ6y_1MAE8Fc2Pfq3hgWw1-zdp4Srq9RoC94MQAvD_BwE (Year: 2021).*

(Continued)

Primary Examiner — Mary Shannon Malley

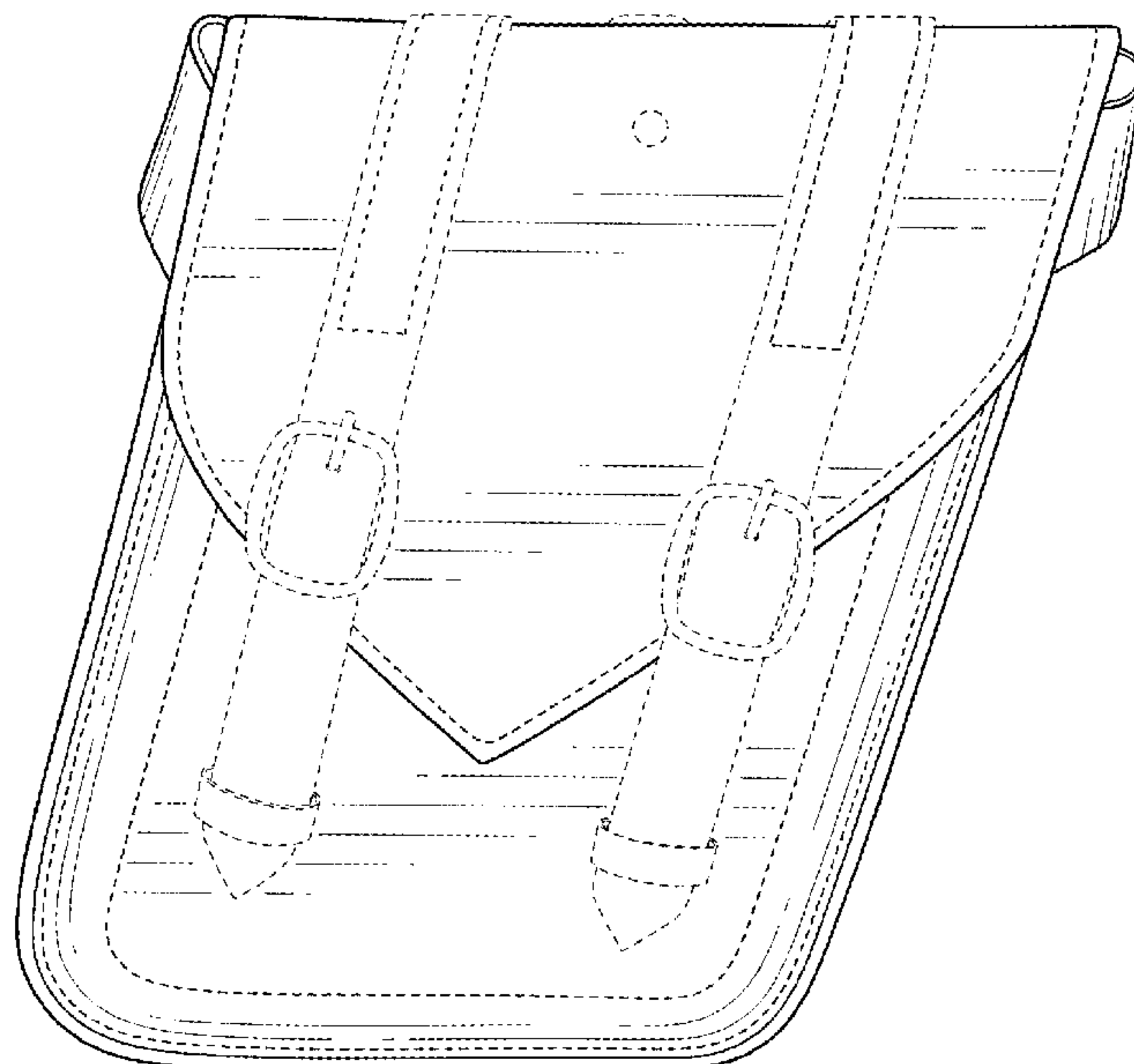
(57) **CLAIM**

The ornamental design for a saddlebag, as shown and described.

DESCRIPTION

FIG. 1 is a top elevational view of a saddlebag my design; FIG. 2 is a bottom elevational view thereof; FIG. 3 is a front side view thereof; FIG. 4 is a rear side view thereof; FIG. 5 is a left side view thereof; FIG. 6 is a right side view thereof; and, FIG. 7 is a perspective view thereof. The broken lines illustrate stitching, fasteners, locking mechanisms and portions of the saddlebag that form no part of the claimed design.

1 Claim, 7 Drawing Sheets



(56)

References Cited

OTHER PUBLICATIONS

Universal Saddlebag Sets online catalogue, posted at saddlemen.com, no posting date, retrieved Mar. 24, 2021, online, URL: <https://saddlemen.com/saddlebag-pannier-sets-bags-luggage?limit=100> (Year: 2021).*

Nomad USA Leather Slanted Large Motorcycle Saddlebags w/ Quick Release Buckles, posted at amazon.com, available Nov. 15, 2013, retrieved Mar. 24, 2021, online, URL: <https://www.amazon.com/Nomad-USA-Leather-Motorcycle-Saddlebags/dp/B00GOQFG4E?tag=fashionforsty-20&th=1> (Year: 2013).*

504—Motorcycle Saddlebags Throwover Set (Preorder), posted at finnmoto.com no posting date, retrieved Mar. 24, 2021, online, URL: <https://finnmoto.com.au/504-motorcycle-saddlebags-throwover-set-preorder/> (Year: 2021).*

509—Motorcycle Saddlebags Throw Over Set (Instock), posted at finnmoto.com, no posting date, retrieved Mar. 24, 2021, online, URL: <https://finnmoto.com.au/509-motorcycle-saddlebags-throw-over-set-instock/> (Year: 2021).*

Willie & Max Deluxe Series Compact Slant Saddlebags, posted at dowcopowersports.com, no posting date, retrieved Mar. 24, 2021, online, URL: <https://dowcopowersports.com/willie-max-deluxe-series-compact-slant-saddlebags-58707-00/> (Year: 2021).*

* cited by examiner

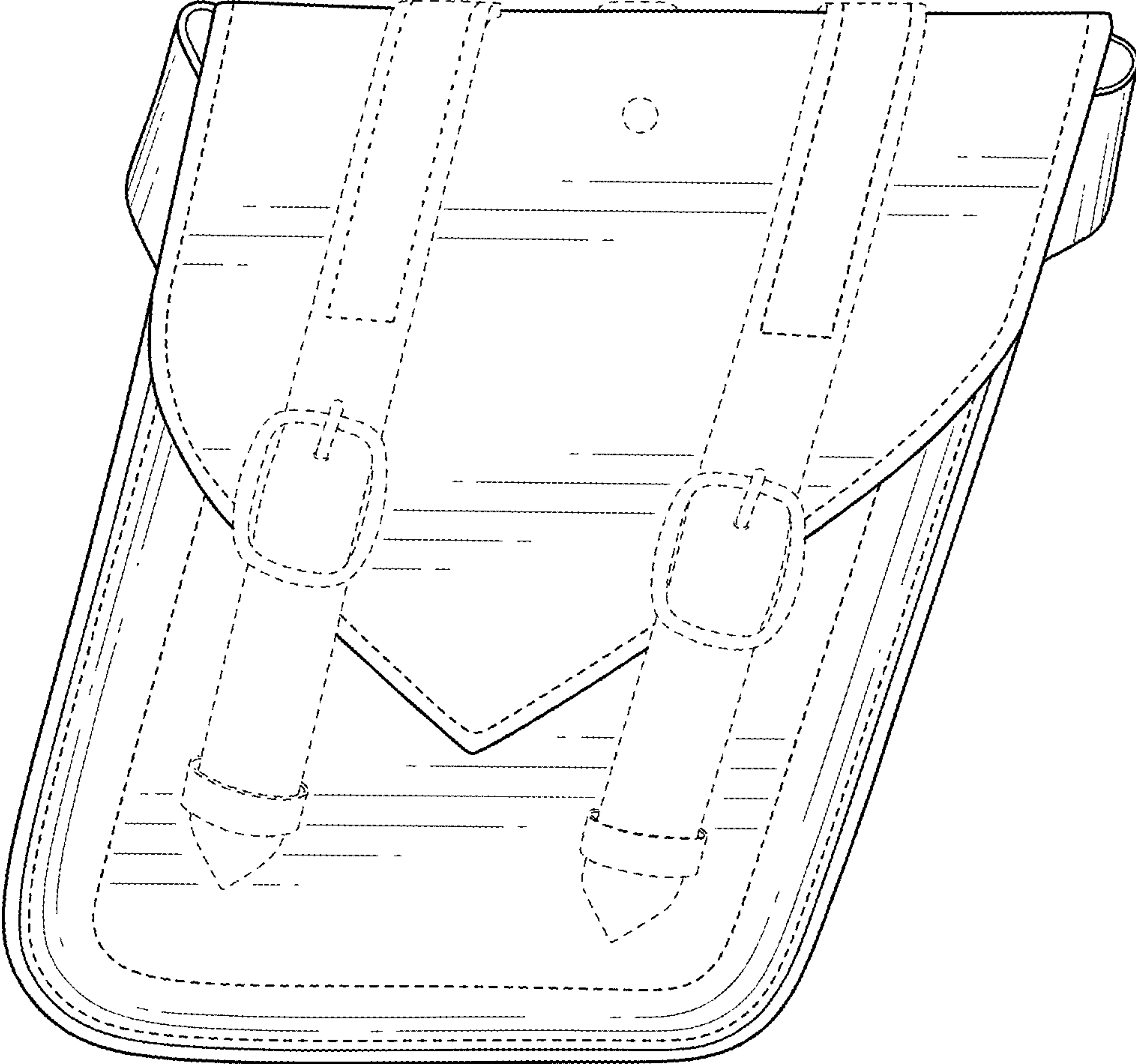


FIG. 1

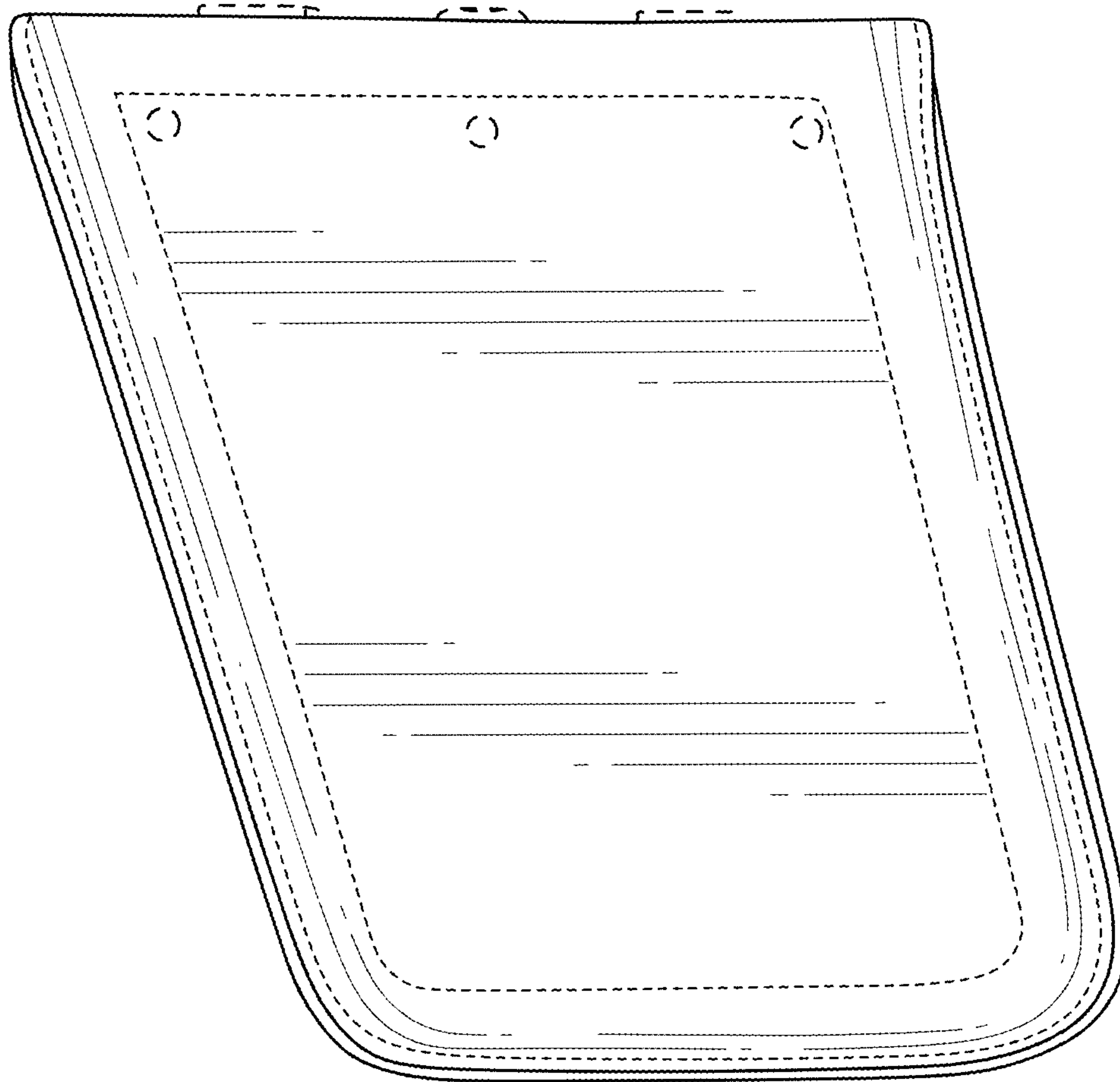


FIG. 2

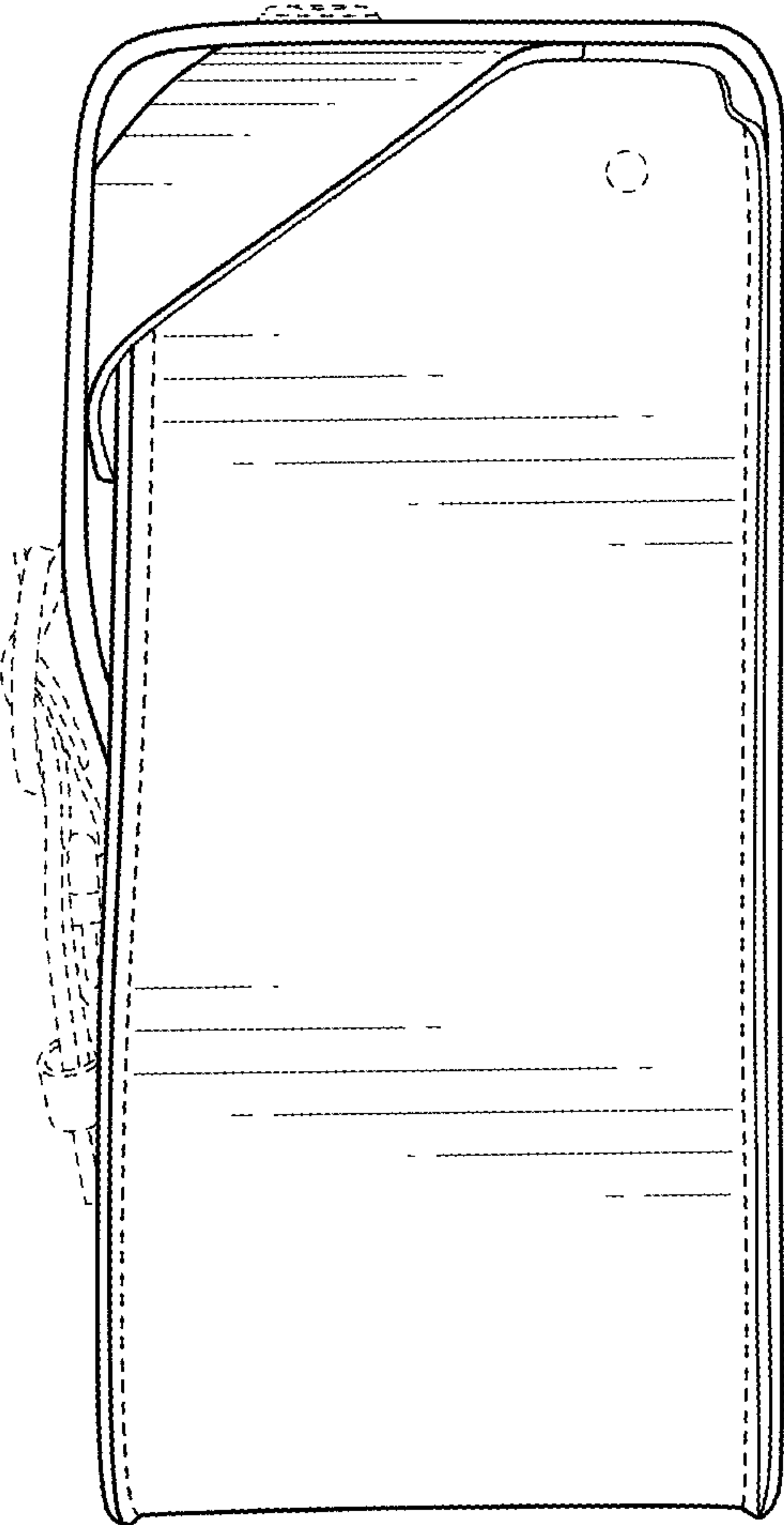


FIG. 3

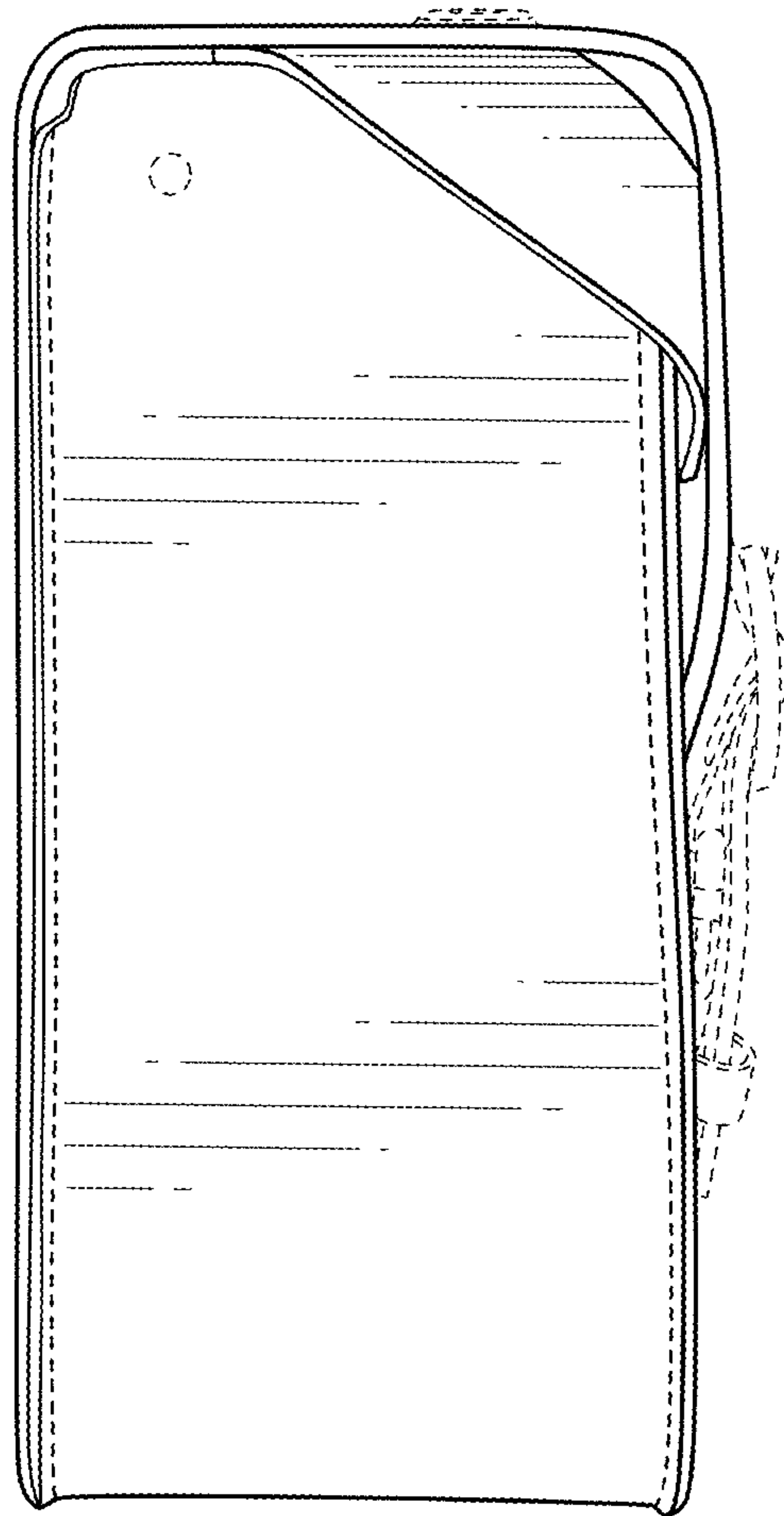


FIG. 4

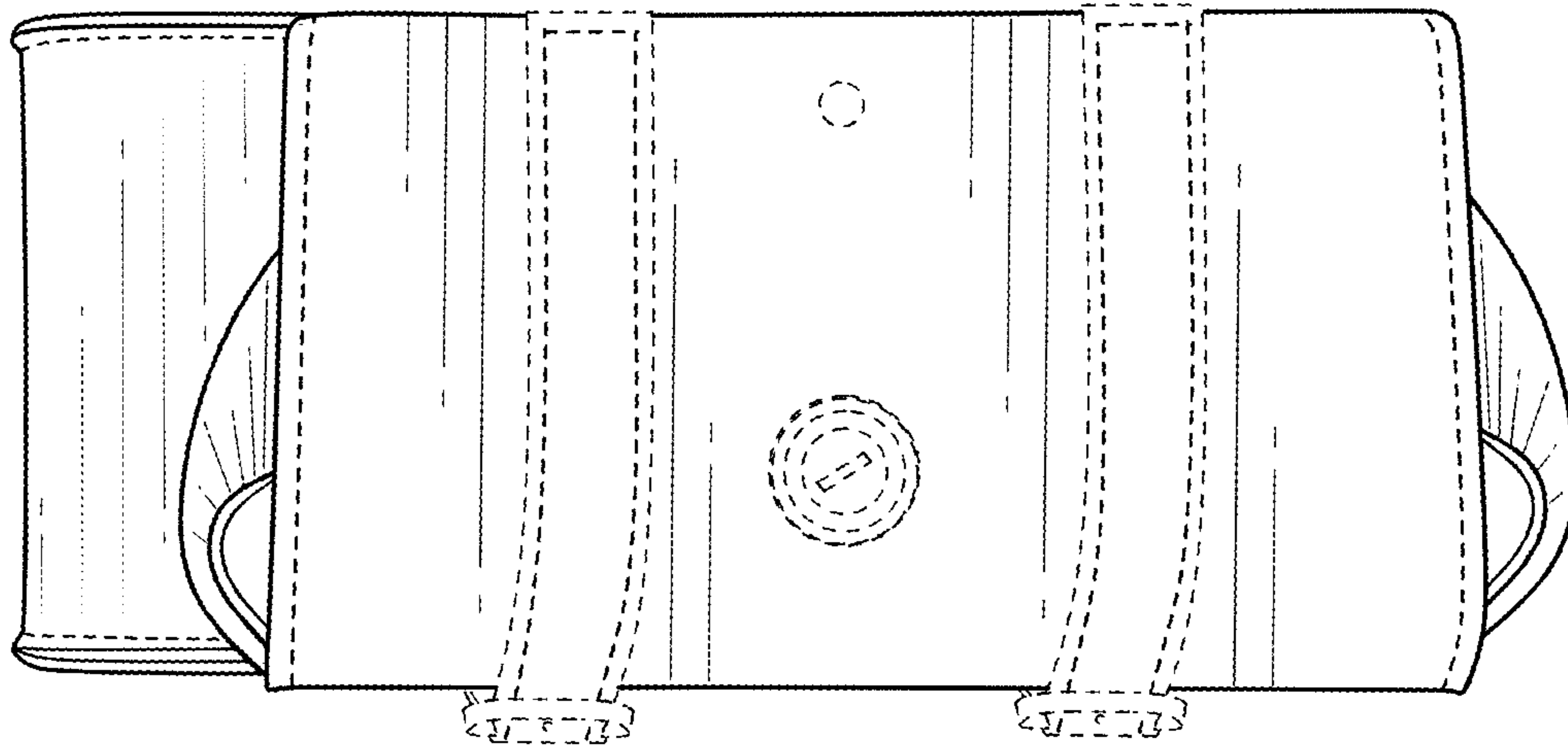


FIG. 5

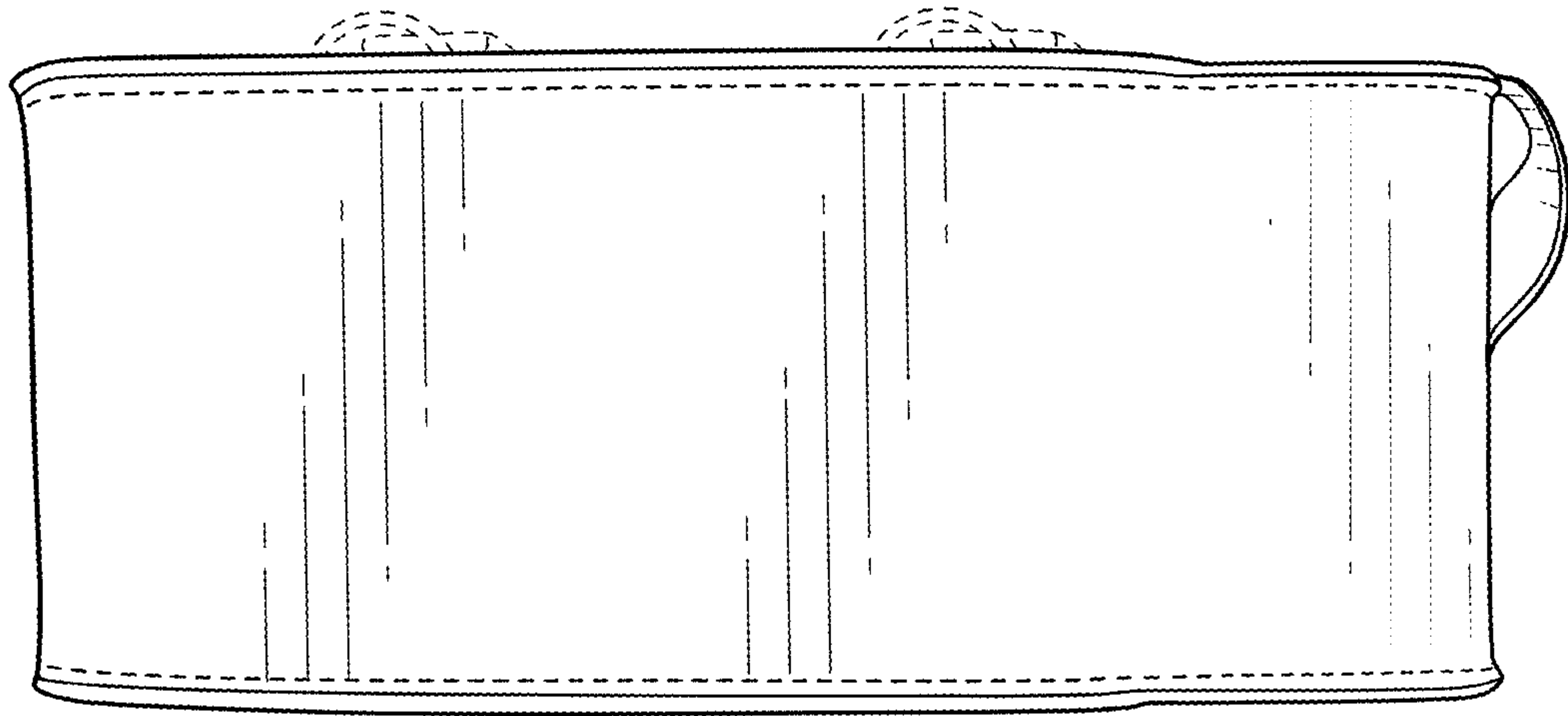


FIG. 6

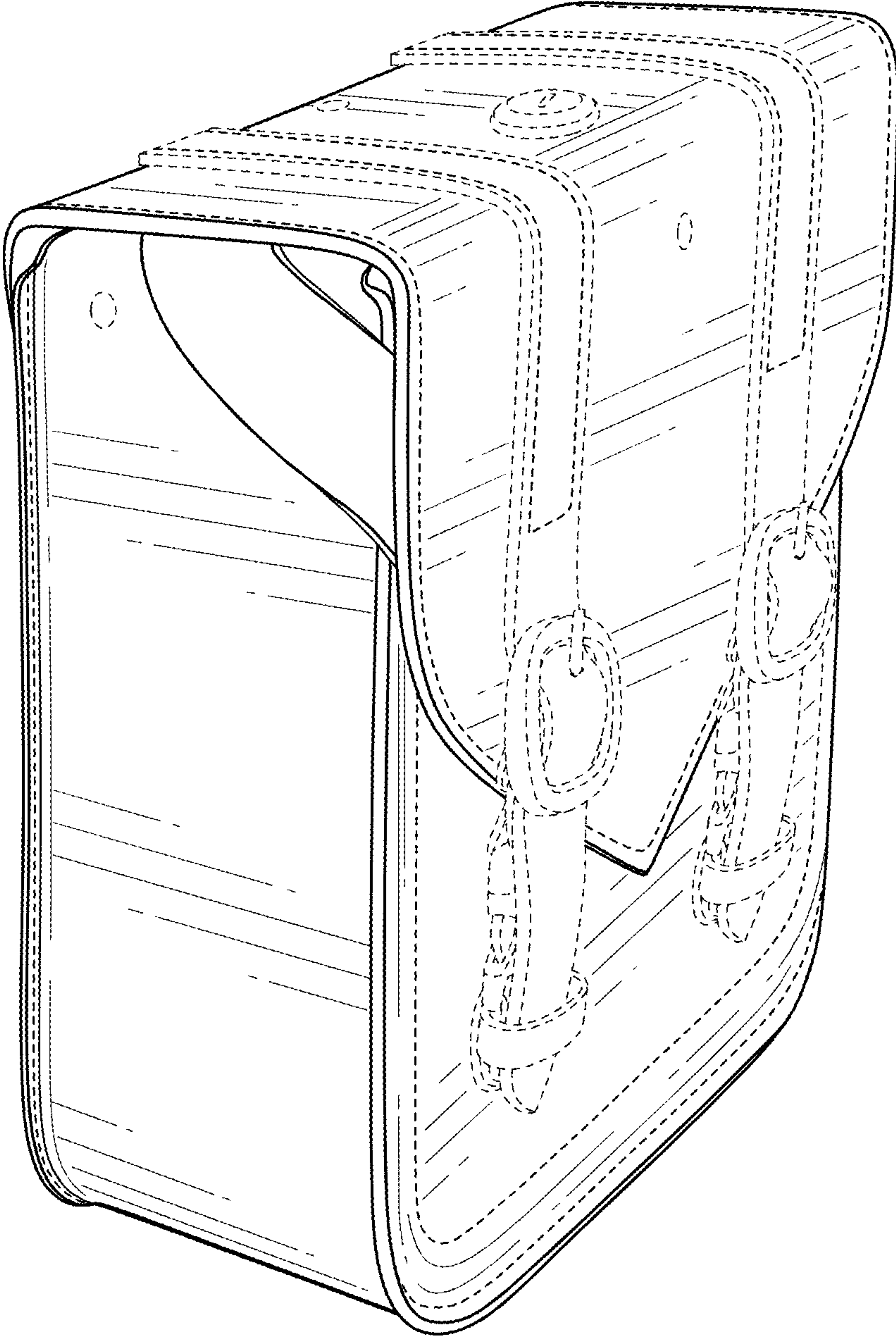


FIG. 7