



US0D1010206S

(12) **United States Design Patent**
Zhang

(10) **Patent No.:** **US D1,010,206 S**

(45) **Date of Patent:** **** Jan. 2, 2024**

(54) **TABLE LAMP**

(71) Applicant: **OPPLE LIGHTING CO., LTD.**,
Shanghai (CN)

(72) Inventor: **Xiaoxiao Zhang**, Shanghai (CN)

(73) Assignee: **OPPLE LIGHTING CO., LTD.**,
Shanghai (CN)

(**) Term: **15 Years**

(21) Appl. No.: **29/731,364**

(22) Filed: **Apr. 14, 2020**

Related U.S. Application Data

(62) Division of application No. 29/634,479, filed on Jan. 22, 2018, now Pat. No. Des. 952,236.

(51) **LOC (14) Cl.** **26-05**

(52) **U.S. Cl.**
USPC **D26/93**

(58) **Field of Classification Search**
USPC D26/60, 63, 68, 71, 73, 74, 75, 76, 113,
D26/118, 121–124, 136, 137–145, 155,
D26/93, 106–110

CPC F21S 2/00; F21S 4/00; F21S 4/003; F21S
4/005; F21S 4/006; F21S 4/007; F21S
4/008; F21S 8/00; F21S 8/024; F21S
8/026; F21S 8/031; F21S 8/033; F21S
8/035–037; F21S 8/04; F21S 8/043; F21S
8/063

See application file for complete search history.

(56) **References Cited**

U.S. PATENT DOCUMENTS

D360,277 S * 7/1995 Roberts, III D26/107
D545,477 S * 6/2007 DeBruyne D26/76
D622,885 S * 8/2010 Ng D26/65
D690,044 S * 9/2013 Ng D26/65

D696,807 S * 12/2013 Duquette D26/71
D743,614 S * 11/2015 Ng D26/107
D804,704 S * 12/2017 Xia D26/107
D851,805 S * 6/2019 Chen D26/76
D923,222 S * 6/2021 Le D26/42
D927,048 S * 8/2021 Chen D26/138
D940,942 S * 1/2022 Zou D26/85
D952,236 S * 5/2022 Zhang D26/93
D964,618 S * 9/2022 Chen D26/51

FOREIGN PATENT DOCUMENTS

CN 201530536440 * 12/2015

* cited by examiner

Primary Examiner — Richard Kearney

Assistant Examiner — Benjamin M Weeks

(74) *Attorney, Agent, or Firm* — Arch & Lake LLP

(57) **CLAIM**

The ornamental design for a table lamp, as shown and described.

DESCRIPTION

FIG. 1 is a top perspective view of an ornamental design for a table lamp;

FIG. 2 is a front elevational view of the table lamp of FIG. 1;

FIG. 3 is a rear elevational view of the table lamp of FIG. 1;

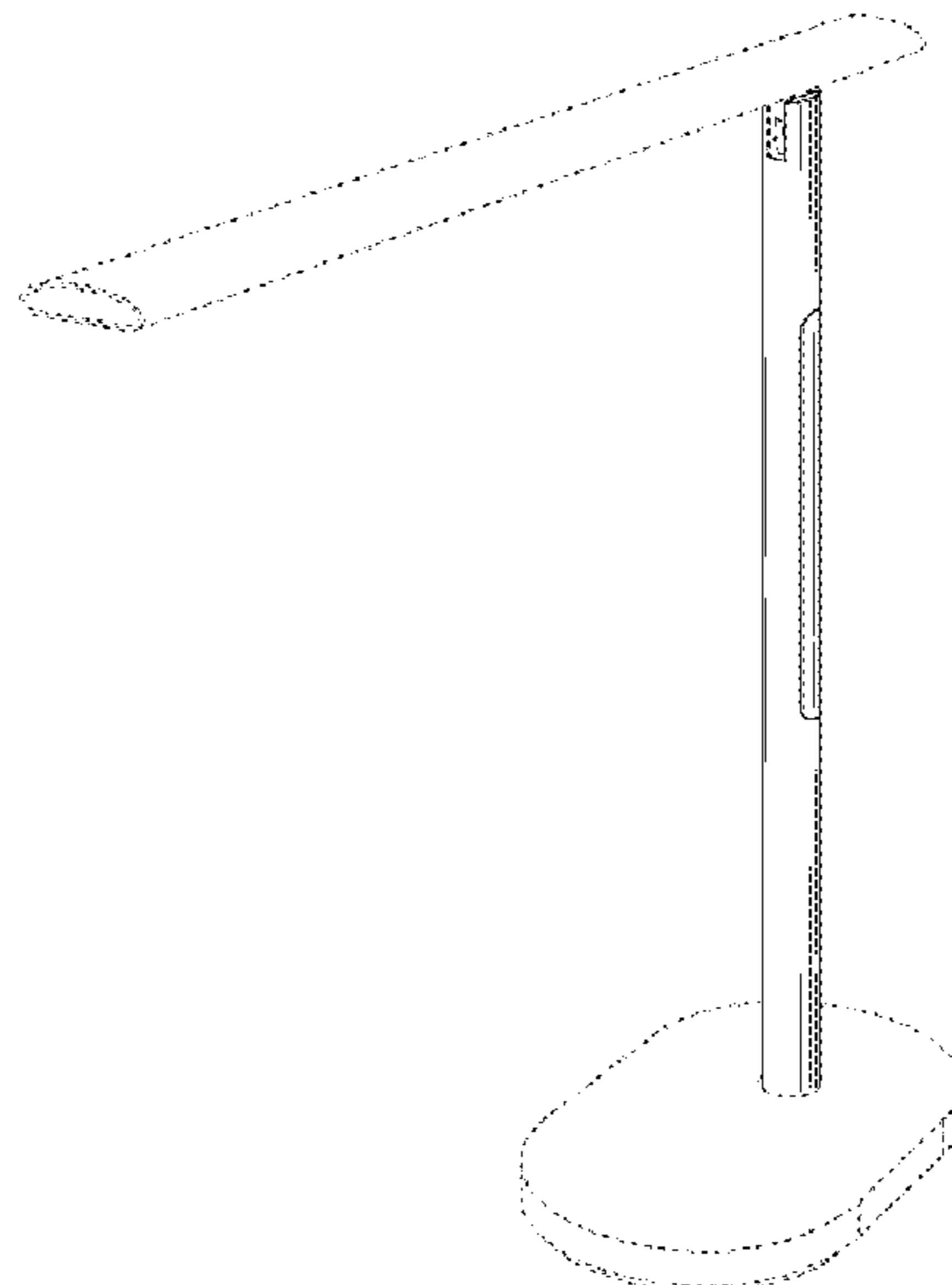
FIG. 4 is a left side elevational view of the table lamp of FIG. 1;

FIG. 5 is a right side elevational view of the table lamp of FIG. 1;

FIG. 6 is a top plan view of the table lamp of FIG. 1; and, FIG. 7 is a bottom plan view of the table lamp of FIG. 1.

The dash-dash-dash broken lines are included for the purpose of illustrating portions that form no part of the claimed design.

1 Claim, 7 Drawing Sheets



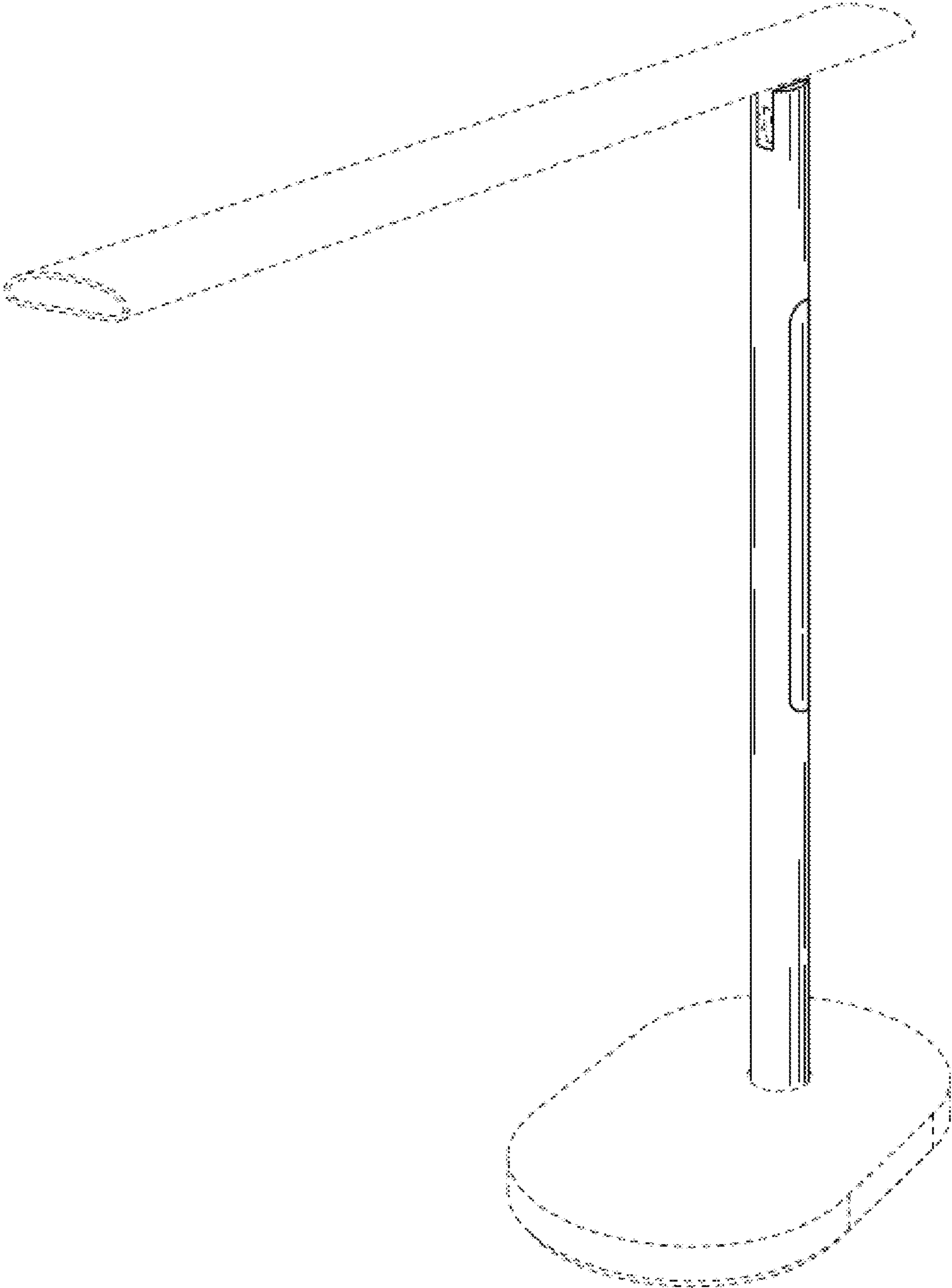


FIG.1

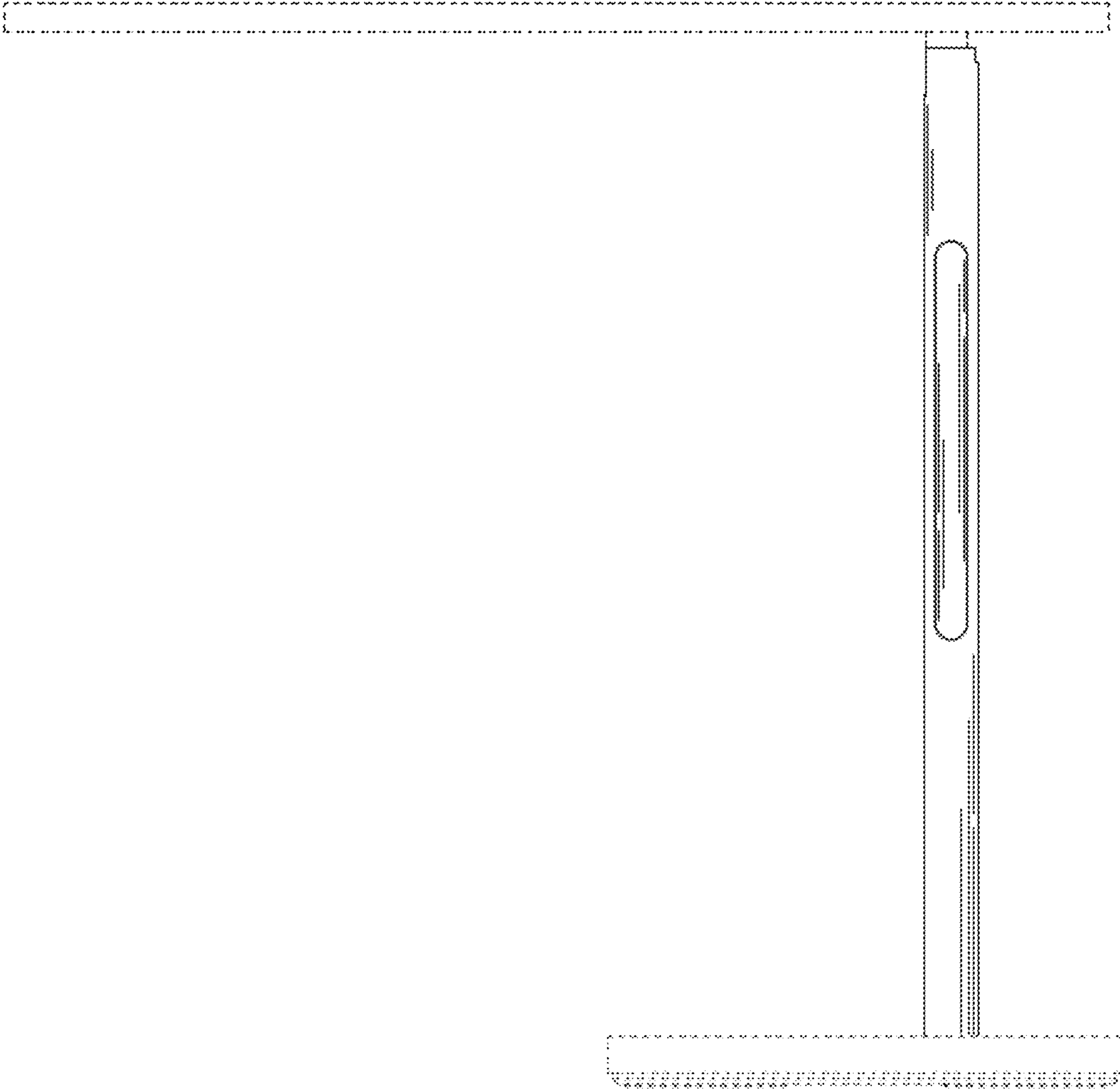


FIG.2

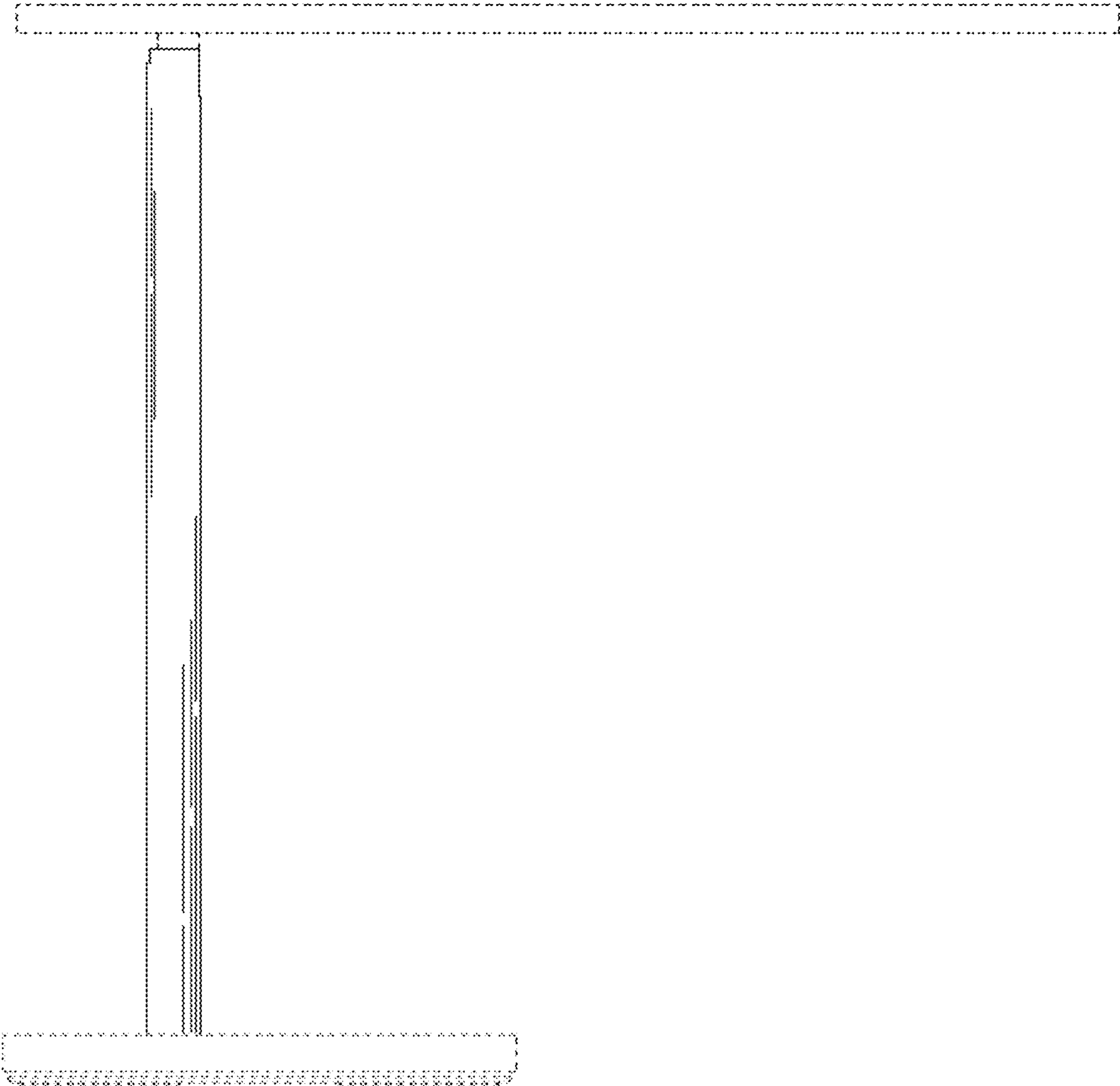


FIG.3

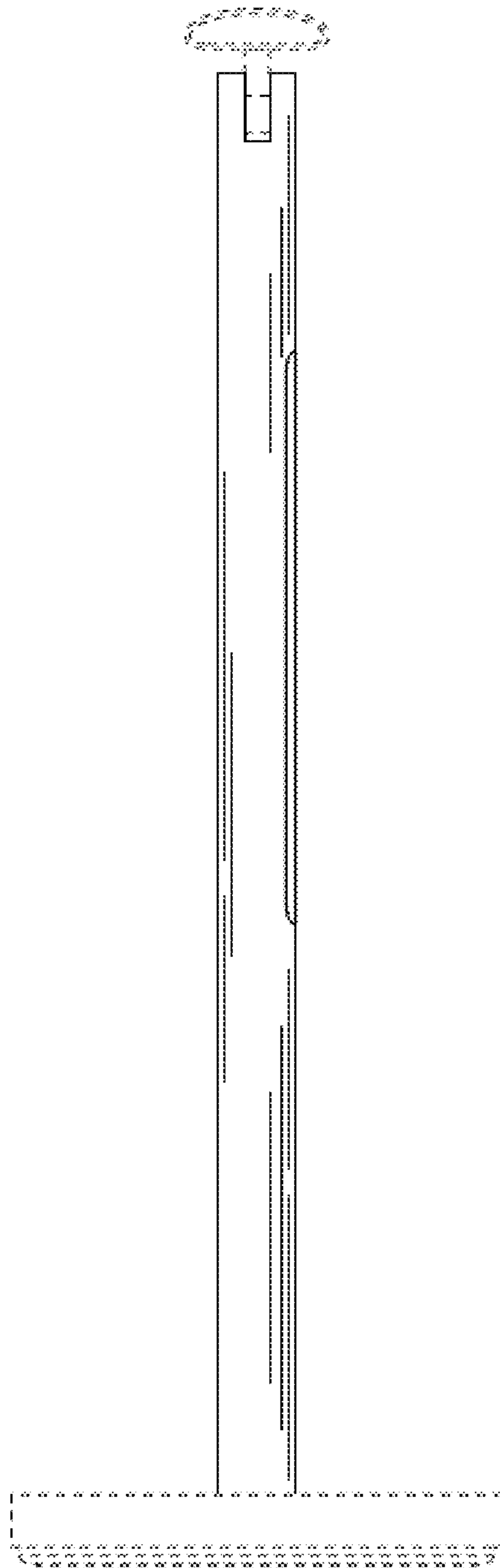


FIG. 4

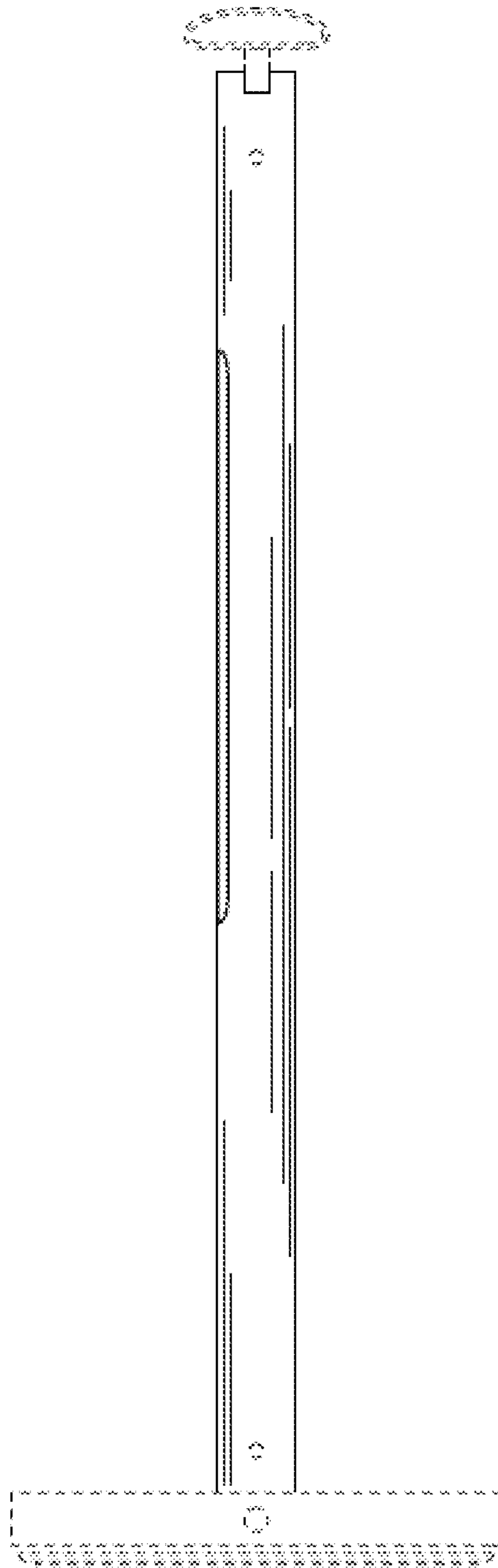


FIG.5

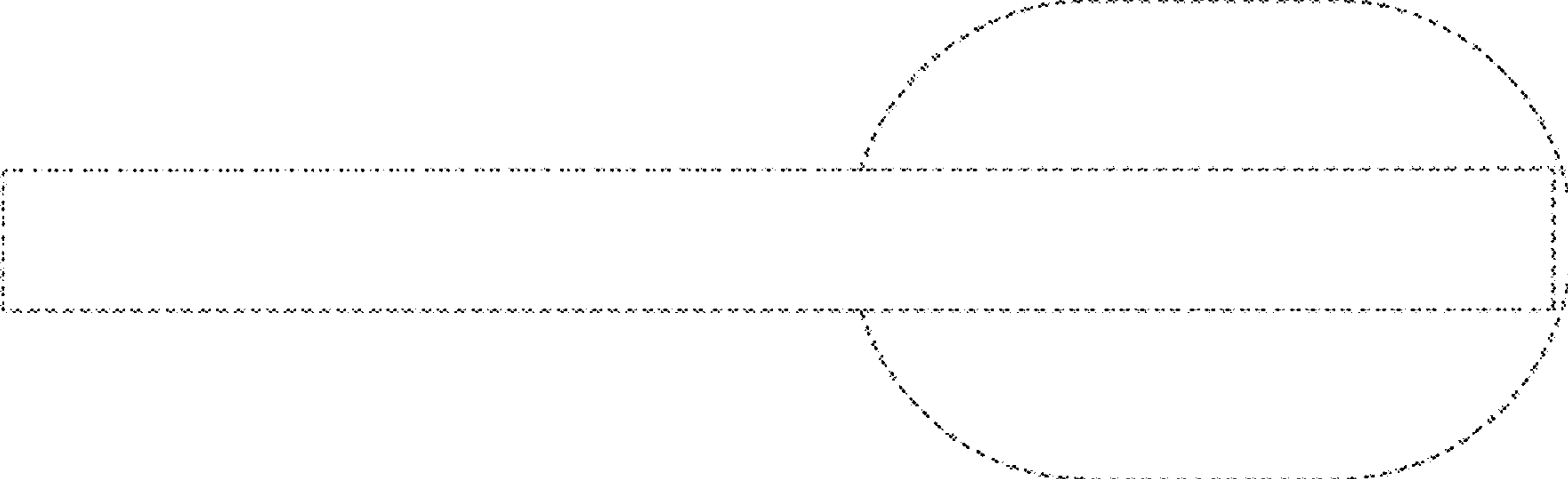


FIG. 6

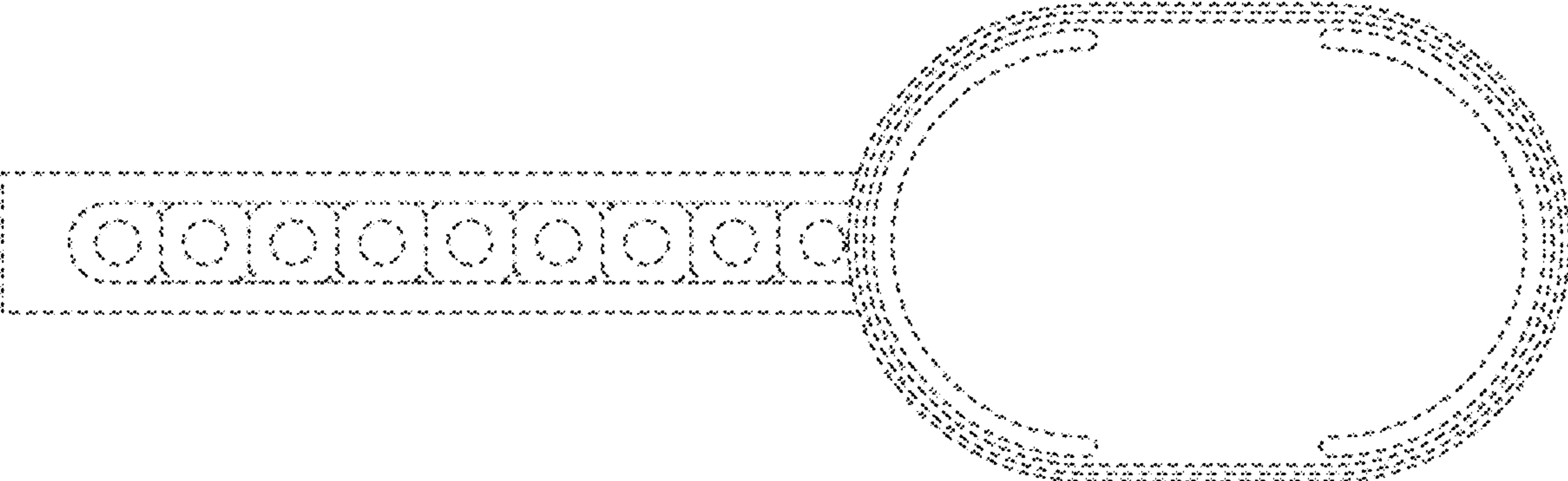


FIG. 7