



US0D1010103S

(12) **United States Design Patent** (10) **Patent No.:** **US D1,010,103 S**  
**Niccol et al.** (45) **Date of Patent:** **\*\* Jan. 2, 2024**

(54) **BREATHING MASK ASSEMBLY INCLUDING A FRAME, HEADGEAR, AND SEAL**

FOREIGN PATENT DOCUMENTS

(71) Applicant: **Fisher & Paykel Healthcare Limited**,  
Auckland (NZ)

AU 744593 2/2002  
AU 2003246441 12/2003

(Continued)

(72) Inventors: **Andrew Grant Niccol**, Auckland (NZ);  
**Neil Gray Duthie**, Auckland (NZ);  
**Erik Robertus Scheirlinck**, Auckland  
(NZ)

OTHER PUBLICATIONS

(73) Assignee: **Fisher & Paykel Healthcare Limited**,  
Auckland (NZ)

“Introducing the F&P Nivairo RT045 Full Face NIV Mask” by F&P  
Healthcare. Youtube. Posting Date: Sep. 19, 2017. Retrieval date:  
Feb. 8, 2022. Retrieved from internet: [https://www.youtube.com/  
watch?v=N9f0Sb-y0eQ](https://www.youtube.com/watch?v=N9f0Sb-y0eQ) (Year: 2017).\*

(Continued)

(\*\*) Term: **15 Years**

*Primary Examiner* — Daniel J Domino

(21) Appl. No.: **29/727,653**

*Assistant Examiner* — Lee D. Starr

(22) Filed: **Mar. 12, 2020**

(74) *Attorney, Agent, or Firm* — Knobbe Martens Olson  
& Bear LLP

**Related U.S. Application Data**

(62) Division of application No. 29/564,637, filed on May  
13, 2016, now Pat. No. Des. 882,066.

(51) **LOC (14) Cl.** ..... **29-02**

(52) **U.S. Cl.**  
USPC ..... **D24/110.4**

(58) **Field of Classification Search**  
USPC ..... D24/110, 110.1–110.4, 110.6, 127;  
D29/108, 122

CPC ..... A61M 16/06; A61M 16/0605; A61M  
16/0616; A61M 16/0622; A61M 16/0633;  
A61M 16/0644; A61M 16/0666; A61M  
16/0672; A61M 16/0683; A61M 16/08;  
A61M 16/0816

See application file for complete search history.

(56) **References Cited**

U.S. PATENT DOCUMENTS

301,111 A 7/1884 Genese  
472,238 A 4/1892 Van Orden  
558,616 A 4/1896 Schoepl

(Continued)

(57) **CLAIM**

The ornamental design for a breathing mask assembly  
including a frame, headgear, and seal, as shown and  
described.

**DESCRIPTION**

FIG. 1 is a top perspective view showing the breathing mask  
assembly including a frame, headgear, and seal showing our  
new design;

FIG. 2 is a left side view thereof;

FIG. 3 is a front view thereof;

FIG. 4 is a right side view thereof;

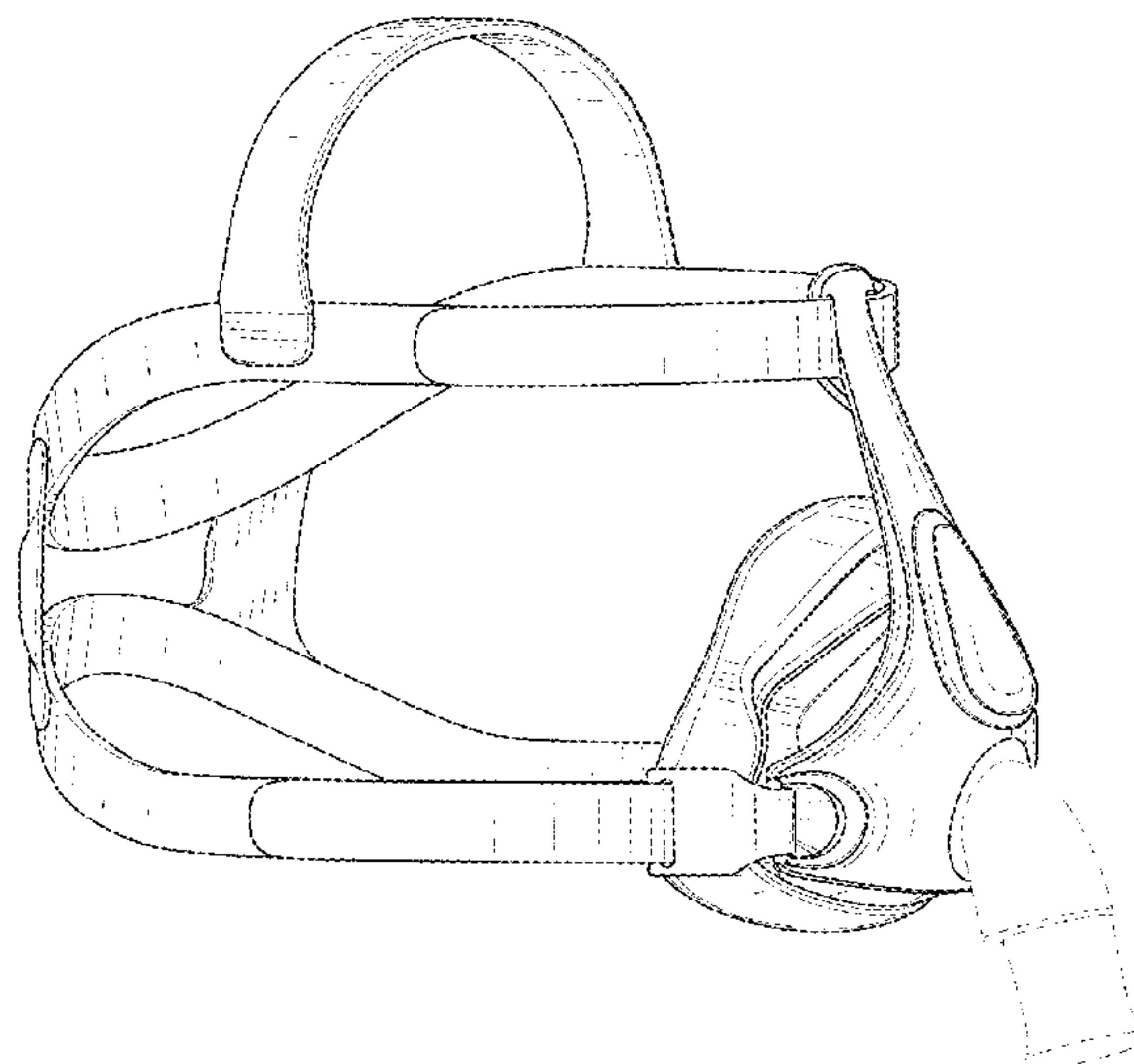
FIG. 5 is a rear view thereof;

FIG. 6 is a top view thereof; and,

FIG. 7 is a bottom view thereof.

Where utilized, the broken lines show portions of the  
breathing mask assembly including a frame, headgear, and  
seal that form no part of the claimed design.

**1 Claim, 4 Drawing Sheets**



(56)

References Cited

U.S. PATENT DOCUMENTS

577,926 A	3/1897	Miller	5,042,478 A	8/1991	Kopala et al.
581,921 A	5/1897	Schoepl et al.	5,062,421 A	11/1991	Burns et al.
687,973 A	12/1901	Bohn	5,065,756 A	11/1991	Rapoport
717,485 A	12/1902	Wolfbauer	5,074,297 A	12/1991	Venegas
718,470 A	1/1903	Jones	5,094,236 A	3/1992	Tayebi
751,091 A	2/1904	Moran	5,113,857 A	5/1992	Dickerman et al.
770,013 A	9/1904	Linn	5,148,802 A	9/1992	Sanders et al.
954,458 A	4/1910	Patterson	5,164,652 A	11/1992	Johnson et al.
1,439,168 A	12/1922	Hongler	5,231,979 A	8/1993	Rose et al.
1,635,545 A	7/1927	Drager	5,243,971 A	9/1993	Sullivan et al.
1,674,894 A	6/1928	Engle	5,245,995 A	9/1993	Sullivan et al.
1,795,619 A	3/1931	Roseman	5,259,377 A	11/1993	Schroeder
2,157,037 A	5/1939	Troendly	5,269,296 A	12/1993	Landis
2,228,218 A	1/1941	Schwartz	5,349,949 A	9/1994	Schegerin
2,296,150 A	9/1942	Dockson et al.	5,353,789 A	10/1994	Schlobohm
2,359,506 A	10/1944	Battley et al.	5,355,878 A	10/1994	Griffiths et al.
2,376,871 A	5/1945	Fink	5,377,394 A	1/1995	Fildan
2,388,604 A	11/1945	Eisenbud	5,400,776 A	3/1995	Bartholomew
2,508,050 A	5/1950	Valente	5,429,683 A	7/1995	Le Mitouard
2,693,800 A	11/1954	Caldwell	5,438,981 A	8/1995	Starr et al.
2,706,983 A	4/1955	Matheson et al.	5,441,046 A	8/1995	Starr et al.
2,738,788 A	3/1956	Matheson et al.	5,449,206 A	9/1995	Lockwood
2,843,121 A	7/1958	Hudson	5,449,234 A	9/1995	Gipp et al.
2,858,828 A	11/1958	Matheson	5,477,852 A	12/1995	Landis et al.
2,859,748 A	11/1958	Hudson	5,513,634 A	5/1996	Jackson
2,874,693 A	2/1959	Matheson	5,518,802 A	5/1996	Colvin et al.
2,881,444 A	4/1959	Fresh et al.	5,533,506 A	7/1996	Wood
2,893,387 A	7/1959	Gongoll et al.	5,540,223 A	7/1996	Starr et al.
2,939,458 A	6/1960	Lundquist	5,542,128 A	8/1996	Lomas
2,999,498 A	9/1961	Matheson	5,551,419 A	9/1996	Froehlich et al.
3,037,501 A	6/1962	Miller	5,558,090 A	9/1996	James
3,162,919 A	12/1964	Williams	5,570,689 A	11/1996	Starr
3,424,633 A	1/1969	Corrigall et al.	5,588,423 A	12/1996	Smith
3,490,452 A	1/1970	Greenfield	5,595,174 A	1/1997	Gwaltney
3,827,716 A	8/1974	Vaughn	5,601,078 A	2/1997	Schaller et al.
3,850,171 A	11/1974	Ball et al.	5,647,355 A	7/1997	Starr et al.
3,890,966 A	6/1975	Aspelin et al.	5,649,532 A	7/1997	Griffiths
3,936,914 A	2/1976	Mancini	5,657,752 A	8/1997	Landis et al.
3,972,321 A	8/1976	Proctor	D383,204 S *	9/1997	Lomas ..... D24/110.2
3,977,432 A	8/1976	Vidal	5,662,101 A	9/1997	Ogden et al.
3,982,532 A	9/1976	Halldin et al.	5,664,566 A	9/1997	Mcdonald et al.
3,992,720 A	11/1976	Nicolinas	5,690,097 A	11/1997	Howard et al.
4,027,360 A	6/1977	Moser	5,724,965 A	3/1998	Handke et al.
4,040,501 A	8/1977	Haswell	5,746,201 A	5/1998	Kidd
4,054,972 A	10/1977	Rowell	5,752,510 A	5/1998	Goldstein
4,069,516 A	1/1978	Watkins, Jr.	5,755,578 A	5/1998	Contant et al.
4,090,510 A	5/1978	Segersten	5,758,642 A	6/1998	Choi
4,141,118 A	2/1979	Gudell	5,806,727 A	9/1998	Joseph
4,201,205 A	5/1980	Bartholomew	5,826,313 A	10/1998	Ishizaki
4,258,710 A	3/1981	Reber	5,842,470 A	12/1998	Ruben
4,266,540 A	5/1981	Panzik et al.	5,857,460 A	1/1999	Popitz
4,278,082 A	7/1981	Blackmer	5,878,743 A	3/1999	Zdrojkowski et al.
4,354,488 A	10/1982	Bartos	5,884,624 A	3/1999	Barnett et al.
4,367,735 A	1/1983	Dali	5,896,857 A	4/1999	Hely
4,378,011 A	3/1983	Wamcke et al.	5,904,278 A	5/1999	Barlow et al.
4,437,462 A	3/1984	Piljay	5,921,239 A	7/1999	McCall et al.
4,676,241 A	6/1987	Webb et al.	5,937,851 A	8/1999	Serowski et al.
4,706,683 A	11/1987	Chilton et al.	5,941,245 A	8/1999	Hannah et al.
4,739,755 A	4/1988	White et al.	5,943,473 A	8/1999	Levine
4,753,233 A	6/1988	Grimes	5,953,763 A	9/1999	Gouget
4,782,832 A	11/1988	Trimble et al.	5,975,079 A	11/1999	Hellings
4,836,200 A	6/1989	Clark et al.	6,006,748 A	12/1999	Hollis
4,856,508 A	8/1989	Tayebi	6,016,804 A	1/2000	Gleason et al.
4,915,104 A	4/1990	Marcy	6,017,315 A	1/2000	Starr et al.
4,915,105 A	4/1990	Lee	6,019,101 A	2/2000	Cotner et al.
4,919,128 A	4/1990	Kopala et al.	6,039,044 A	3/2000	Sullivan
4,938,209 A	7/1990	Fry	6,050,260 A	4/2000	Daniell et al.
4,941,467 A	7/1990	Takata	6,050,294 A	4/2000	Makowan
4,944,310 A	7/1990	Sullivan	6,112,746 A	9/2000	Kwok et al.
4,971,051 A	11/1990	Toffolon	6,116,235 A	9/2000	Walters et al.
4,974,586 A	12/1990	Wandel et al.	6,119,693 A	9/2000	Kwok et al.
4,986,269 A	1/1991	Hakkinen	6,119,694 A	9/2000	Correa et al.
5,010,925 A	4/1991	Atkinson et al.	6,135,432 A	10/2000	Hebblewhite et al.
5,016,625 A	5/1991	Hsu et al.	6,192,886 B1	2/2001	Rudolph
5,031,261 A	7/1991	Fenner	6,269,814 B1	8/2001	Blaszczkiewicz et al.
			6,272,933 B1	8/2001	Gradon et al.
			6,298,850 B1	10/2001	Argaves
			6,302,105 B1	10/2001	Wickham et al.
			6,341,606 B1	1/2002	Bordewick et al.



(56)

References Cited

U.S. PATENT DOCUMENTS

6,347,631 B1	2/2002	Hansen et al.	D550,834 S *	9/2007	Samaras .....	D24/110.1
6,355,878 B1	3/2002	Kim	7,290,546 B2	11/2007	Sprinkle et al.	
6,398,197 B1	6/2002	Dickinson et al.	7,318,437 B2	1/2008	Gunaratnam et al.	
6,412,488 B1	7/2002	Barnett et al.	7,353,827 B2	4/2008	Geist	
6,418,928 B1	7/2002	Bordewick et al.	7,406,966 B2	8/2008	Wondka et al.	
6,427,694 B1	8/2002	Hecker et al.	D582,546 S	12/2008	Fujiura et al.	
6,431,172 B1	8/2002	Bordewick	D586,906 S	2/2009	Stallard et al.	
6,435,181 B1	8/2002	Jones, Jr. et al.	7,487,772 B2	2/2009	Ging et al.	
6,439,234 B1	8/2002	Curti et al.	7,523,754 B2	4/2009	Lithgow et al.	
6,457,473 B1	10/2002	Brostrom et al.	D595,841 S	7/2009	McAuley et al.	
6,460,539 B1	10/2002	Japuntich et al.	7,568,482 B2	8/2009	Jaffre et al.	
6,467,483 B1	10/2002	Kopacko et al.	7,597,100 B2	10/2009	Ging et al.	
6,478,026 B1	11/2002	Wood	7,621,274 B2	11/2009	Sprinkle	
6,484,725 B1	11/2002	Chi et al.	7,647,926 B2	1/2010	Gerder et al.	
6,488,664 B1	12/2002	Solomon et al.	7,665,464 B2	2/2010	Kopacko et al.	
6,491,034 B1	12/2002	Gunaratnam et al.	7,681,575 B2	3/2010	Wixey et al.	
6,513,526 B2	2/2003	Kwok et al.	7,694,677 B2	4/2010	Tang	
6,530,373 B1	3/2003	Patron et al.	7,762,260 B2	7/2010	Ho	
6,557,555 B1	5/2003	Hollis	7,779,832 B1	8/2010	Ho et al.	
6,561,188 B1	5/2003	Ellis	7,814,911 B2	10/2010	Bordewick et al.	
6,561,190 B1	5/2003	Kwok	7,827,990 B1	11/2010	Melidis et al.	
6,561,191 B1	5/2003	Kwok	7,896,003 B2	3/2011	Matula et al.	
6,581,594 B1	6/2003	Drew et al.	D635,661 S	4/2011	Stallard et al.	
6,581,601 B2	6/2003	Ziaee	7,931,024 B2	4/2011	Ho et al.	
6,581,602 B2	6/2003	Kwok et al.	D639,420 S	6/2011	D'Souza et al.	
6,584,977 B1	7/2003	Serowski	8,025,057 B2	9/2011	Ging	
6,588,424 B2	7/2003	Bardel	8,042,539 B2	10/2011	Chandran et al.	
6,595,214 B1	7/2003	Hecker	8,042,542 B2	10/2011	Ging et al.	
6,615,832 B1	9/2003	Chen	D652,914 S	1/2012	D'Souza et al.	
6,631,718 B1	10/2003	Lovell	8,091,547 B2	1/2012	Thudor et al.	
6,634,357 B1	10/2003	Hamilton	8,136,524 B2	3/2012	Ging et al.	
6,634,358 B2	10/2003	Kwok et al.	8,186,345 B2	5/2012	Payton et al.	
6,637,434 B2	10/2003	Noble	8,342,181 B2	1/2013	Selvarajan et al.	
6,644,315 B2	11/2003	Ziaee	8,371,302 B2	2/2013	Ging et al.	
6,644,316 B2	11/2003	Bowman et al.	D681,192 S	4/2013	D'Souza et al.	
6,651,658 B1	11/2003	Hill et al.	D683,447 S	5/2013	Olsen et al.	
6,651,663 B2	11/2003	Barnett et al.	8,443,807 B2	5/2013	McAuley et al.	
6,659,102 B1	12/2003	Sico	8,453,641 B2	6/2013	Payton et al.	
6,662,803 B2	12/2003	Gradon et al.	8,479,726 B2	7/2013	McAuley	
6,668,828 B1	12/2003	Figley et al.	8,479,741 B2	7/2013	McAuley et al.	
6,679,257 B1	1/2004	Robertson et al.	8,517,023 B2	8/2013	Henry	
6,679,265 B2	1/2004	Strickland et al.	8,517,024 B2	8/2013	Selvarajan et al.	
6,691,707 B1	2/2004	Gunaratnam et al.	8,550,072 B2	10/2013	Thudor et al.	
6,712,072 B1	3/2004	Lang	8,550,084 B2	10/2013	Ng	
6,729,333 B2	5/2004	Barnett et al.	8,567,404 B2	10/2013	Davidson et al.	
6,736,139 B1	5/2004	Wix	D693,459 S	11/2013	Prentice et al.	
6,772,761 B1	8/2004	Rucker, Jr.	D693,460 S	11/2013	Rothermel et al.	
6,796,308 B2	9/2004	Gunaratnam et al.	D693,461 S	11/2013	Rothermel	
6,851,425 B2	2/2005	Jaffre et al.	D693,462 S	11/2013	Rothermel et al.	
6,851,428 B2	2/2005	Dennis	D695,887 S *	12/2013	Ozolins .....	D24/110.4
6,883,177 B1	4/2005	Ouellette et al.	8,596,274 B2	12/2013	Hieber	
6,889,692 B2	5/2005	Hollis	8,596,276 B2	12/2013	Omura et al.	
6,892,729 B2	5/2005	Smith et al.	8,631,793 B2	1/2014	Omura et al.	
6,895,965 B2	5/2005	Scarberry et al.	8,636,005 B2	1/2014	Gradon et al.	
6,907,882 B2	6/2005	Ging et al.	8,701,667 B1	4/2014	Ho et al.	
6,918,390 B2	7/2005	Lithgow et al.	8,714,157 B2	5/2014	McAuley et al.	
6,951,218 B2	10/2005	Gradon et al.	D706,413 S *	6/2014	Veliss .....	D24/110.1
6,953,354 B2	10/2005	Edirisuriya et al.	D707,349 S	6/2014	D'Souza	
7,004,165 B1	2/2006	Salcido	8,752,254 B2	6/2014	Perner	
7,007,696 B2	3/2006	Palkon et al.	8,757,157 B2	6/2014	Price et al.	
7,021,311 B2	4/2006	Gunaratnam et al.	8,783,257 B2	7/2014	McAuley et al.	
7,066,178 B2	6/2006	Gunaratnam et al.	D716,440 S	10/2014	D'Souza et al.	
7,066,179 B2	6/2006	Eaton et al.	8,944,061 B2	2/2015	D'souza et al.	
7,077,126 B2	7/2006	Kummer et al.	8,950,404 B2	2/2015	Formica et al.	
7,089,939 B2	8/2006	Walker et al.	8,960,196 B2	2/2015	Henry	
7,096,864 B1	8/2006	Mayer et al.	9,027,556 B2	5/2015	Ng et al.	
7,111,624 B2	9/2006	Thudor et al.	9,032,955 B2	5/2015	Lubke et al.	
7,174,893 B2	2/2007	Walker et al.	9,032,995 B2	5/2015	Spiegel	
7,185,652 B2	3/2007	Gunaratnam et al.	9,072,852 B2	7/2015	McAuley et al.	
7,185,653 B2	3/2007	Lee	9,119,929 B2	9/2015	McAuley et al.	
7,201,169 B2	4/2007	Wilkie et al.	9,119,931 B2	9/2015	D'Souza et al.	
7,207,333 B2	4/2007	Tohara	9,132,256 B2	9/2015	Gunaratnam et al.	
7,210,481 B1	5/2007	Lovell et al.	9,138,555 B2	9/2015	McAuley et al.	
7,219,669 B1	5/2007	Lovell et al.	9,144,655 B2	9/2015	McAuley et al.	
7,225,811 B2	6/2007	Ruiz et al.	9,149,596 B2	10/2015	Valcic et al.	
			9,242,062 B2	1/2016	Melidis et al.	
			9,265,902 B2	2/2016	Payton et al.	
			D751,188 S	3/2016	Skipper	
			9,272,109 B2	3/2016	Rothermel et al.	



(56)

References Cited

U.S. PATENT DOCUMENTS

9,292,799 B2	3/2016	Liu et al.	2006/0254593 A1	11/2006	Chang
D753,813 S	4/2016	Ozolins et al.	2006/0283459 A1	12/2006	Geiselhart et al.
9,320,566 B1	4/2016	Alston, Jr. et al.	2007/0044804 A1	3/2007	Matula et al.
9,333,315 B2	5/2016	McAuley et al.	2007/0125385 A1	6/2007	Ho et al.
9,339,621 B2	5/2016	McAuley et al.	2007/0163600 A1	7/2007	Hoffman
9,339,624 B2	5/2016	McAuley et al.	2007/0209663 A1	9/2007	Marque et al.
9,375,545 B2	6/2016	Darkin et al.	2007/0215161 A1	9/2007	Frater et al.
9,381,316 B2	7/2016	Ng et al.	2007/0221227 A1	9/2007	Ho
D764,049 S *	8/2016	Cullen ..... D24/110.4	2007/0267017 A1	11/2007	McAuley et al.
D767,755 S	9/2016	D'Souza	2008/0035152 A1	2/2008	Ho et al.
D769,440 S	10/2016	Amarasinghe	2008/0110464 A1	5/2008	Davidson et al.
9,522,246 B2	12/2016	Frater et al.	2008/0178875 A1	7/2008	Henry
D782,030 S	3/2017	Prentice et al.	2008/0223373 A1	9/2008	Chang
D782,031 S	3/2017	Prentice et al.	2008/0257354 A1	10/2008	Davidson et al.
D784,515 S *	4/2017	Prentice ..... D24/110.1	2008/0302366 A1	12/2008	McGinnis et al.
D784,516 S	4/2017	Prentice et al.	2009/0014008 A1	1/2009	Takishita et al.
D797,277 S	9/2017	Blanch	2009/0032024 A1	2/2009	Burz et al.
D809,132 S	1/2018	Bornholdt	2009/0038619 A1	2/2009	Ho et al.
D809,649 S	2/2018	Bornholdt	2009/0044808 A1	2/2009	Guney et al.
D810,277 S	2/2018	Amarasinghe	2009/0065729 A1	3/2009	Worboys et al.
D814,020 S	3/2018	Bornholdt	2009/0095301 A1	4/2009	Hitchcock et al.
D821,569 S	6/2018	Bornholdt	2009/0114227 A1	5/2009	Gunaratnam et al.
D824,021 S	7/2018	Prentice	2009/0126739 A1	5/2009	Ng et al.
D824,511 S	7/2018	Prentice	2009/0139526 A1	6/2009	Melidis et al.
D837,972 S	1/2019	Bornholdt	2009/0139527 A1	6/2009	Ng et al.
D870,266 S *	12/2019	Bornholdt ..... D24/110.1	2009/0178679 A1	7/2009	Lithgow et al.
D882,066 S	4/2020	Niccol et al.	2009/0188505 A1	7/2009	Smart et al.
11,027,087 B2	6/2021	Olsen et al.	2009/0223519 A1	9/2009	Eifler et al.
11,173,270 B2	11/2021	Bornholdt et al.	2009/0272380 A1	11/2009	Jaffre et al.
11,179,537 B2	11/2021	Bornholdt et al.	2010/0006101 A1	1/2010	McAuley et al.
2001/0017134 A1	8/2001	Bahr	2010/0108072 A1	5/2010	D'Souza et al.
2001/0020474 A1	9/2001	Hecker et al.	2010/0282265 A1	11/2010	Melidis et al.
2002/0014241 A1	2/2002	Gradon et al.	2010/0307502 A1	12/2010	Rummery et al.
2002/0020416 A1	2/2002	Namey	2010/0319700 A1	12/2010	Ng et al.
2002/0026934 A1	3/2002	Lithgow et al.	2011/0048425 A1	3/2011	Chang
2002/0029780 A1	3/2002	Frater	2011/0072553 A1	3/2011	Ho et al.
2002/0040515 A1	4/2002	Uehara et al.	2011/0259335 A1	10/2011	Sullivan
2002/0053347 A1	5/2002	Ziaee	2011/0308526 A1	12/2011	Ho et al.
2002/0100479 A1	8/2002	Scarberry et al.	2012/0103340 A1	5/2012	Chu et al.
2003/0019495 A1	1/2003	Palkon et al.	2012/0138060 A1	6/2012	Barlow
2003/0019496 A1	1/2003	Kopacko et al.	2012/0138061 A1	6/2012	Dravitzki et al.
2003/0029454 A1	2/2003	Gelinas et al.	2012/0190998 A1	7/2012	Armitstead et al.
2003/0037788 A1	2/2003	Gallem et al.	2012/0199132 A1	8/2012	Ho et al.
2003/0075180 A1	4/2003	Raje et al.	2012/0216819 A1	8/2012	Raje et al.
2003/0089373 A1	5/2003	Gradon et al.	2012/0222680 A1	9/2012	Eves et al.
2003/0127101 A1	7/2003	Dennis	2012/0234326 A1	9/2012	Mazzone et al.
2003/0149384 A1	8/2003	Davis et al.	2012/0285452 A1	11/2012	Amirav et al.
2003/0196655 A1	10/2003	Ging et al.	2013/0008449 A1	1/2013	Busch et al.
2003/0196658 A1	10/2003	Ging et al.	2013/0092169 A1	4/2013	Frater et al.
2003/0217746 A1	11/2003	Gradon et al.	2013/0186404 A1	7/2013	Chien
2003/0236015 A1	12/2003	Edirisuriya et al.	2013/0199537 A1	8/2013	Formica
2004/0025882 A1	2/2004	Madaus et al.	2013/0220327 A1	8/2013	Barlow et al.
2004/0035427 A1	2/2004	Bordewick et al.	2013/0306066 A1	11/2013	Selvarajan et al.
2004/0065328 A1	4/2004	Amarasinghe et al.	2013/0319419 A1	12/2013	Lee
2004/0067333 A1	4/2004	Amarasinghe	2014/0096774 A1	4/2014	Olsen et al.
2004/0094157 A1	5/2004	Dantanarayana et al.	2014/0166018 A1	6/2014	Dravitzki et al.
2004/0118406 A1	6/2004	Lithgow et al.	2014/0174446 A1	6/2014	Prentice et al.
2004/0118412 A1	6/2004	Piletti-Reyes	2014/0224255 A1	8/2014	McCaslin et al.
2004/0134497 A1	7/2004	Gunaratnam et al.	2014/0283842 A1	9/2014	Bearne et al.
2004/0149280 A1	8/2004	Semeniuk	2014/0305433 A1	10/2014	Rothermel
2004/0182398 A1	9/2004	Sprinkle et al.	2015/0090266 A1	4/2015	Melidis et al.
2004/0226566 A1	11/2004	Gunaratnam et al.	2016/0001028 A1	1/2016	McAuley et al.
2005/0011524 A1	1/2005	Thomlinson et al.	2016/0008558 A1	1/2016	Huddart et al.
2005/0155603 A1	7/2005	Frerichs et al.	2016/0045700 A1 *	2/2016	Amarasinghe .... A61M 16/0666 128/205.25
2005/0155604 A1	7/2005	Ging et al.	2016/0051786 A1	2/2016	McAuley et al.
2005/0199239 A1	9/2005	Lang et al.	2016/0067442 A1	3/2016	Salmon et al.
2006/0042629 A1	3/2006	Geist	2016/0213873 A1	7/2016	McAuley et al.
2006/0060200 A1	3/2006	Ho et al.	2016/0213874 A1	7/2016	Davidson et al.
2006/0076019 A1	4/2006	Ho et al.	2016/0220781 A1	8/2016	Arrowsmith et al.
2006/0096598 A1	5/2006	Ho et al.	2016/0310687 A1	10/2016	McAuley et al.
2006/0124131 A1	6/2006	Chandran et al.	2016/0354572 A1	12/2016	Lim et al.
2006/0130844 A1	6/2006	Ho et al.	2017/0028148 A1	2/2017	McAuley et al.
2006/0169286 A1	8/2006	Eifler et al.	2017/0065786 A1	3/2017	Stephenson et al.
2006/0201514 A1	9/2006	Jones et al.	2017/0157353 A1 *	6/2017	Olsen ..... A44B 11/00
2006/0207599 A1	9/2006	Busch et al.	2018/0008794 A1 *	1/2018	Salmon ..... A61M 16/0683
			2018/0185598 A1	7/2018	Olsen
			2018/0361095 A1	12/2018	Frerichs
			2020/0108989 A1 *	4/2020	Hammer ..... B65D 5/5021



(56)

References Cited

U.S. PATENT DOCUMENTS

2021/0187234 A1\* 6/2021 Tebbutt ..... A61M 16/0683  
 2021/0252244 A1 8/2021 Olsen et al.  
 2022/0031991 A1 2/2022 Bornholdt et al.

FOREIGN PATENT DOCUMENTS

AU 2003257274 3/2004  
 AU 2008906390 12/2008  
 AU 2009900327 1/2009  
 AU 2009902731 6/2009  
 AU 2009904236 9/2009  
 AU 2014202233 5/2014  
 CA 131 16 62 12/1992  
 CN 2172538 7/1994  
 CN 1784250 6/2006  
 CN 1901961 1/2007  
 CN 1988930 6/2007  
 CN 101214402 7/2008  
 CN 101378810 3/2009  
 CN 101450239 6/2009  
 CN 101541380 9/2009  
 CN 101951984 1/2011  
 DE 895692 11/1953  
 DE 3026375 2/1982  
 DE 19603949 8/1997  
 DE 19962515 7/2001  
 DE 10312881 5/2004  
 DE 102006011151 9/2007  
 DE 20 2014 104150 10/2014  
 EP 0 427 474 11/1990  
 EP 0 303 090 4/1992  
 EP 0 747 078 12/1996  
 EP 0 982 042 3/2000  
 EP 1 099 452 5/2001  
 EP 1 245 250 10/2002  
 EP 1 258 266 11/2002  
 EP 1 259 279 11/2007  
 EP 1 488 820 9/2009  
 EP 2 130 563 12/2009  
 EP 2 417 994 2/2012  
 EP 2 281 596 10/2012  
 EP 2 668 971 12/2013  
 EP 2 818 194 12/2014  
 EP 1 646 910 8/2015  
 EP 2 954 920 12/2015  
 FR 1 299 470 6/1962  
 FR 2 658 725 8/1991  
 FR 2 749 176 12/1997  
 GB 190 224 431 12/1902  
 GB 309770 4/1929  
 GB 823897 11/1959  
 GB 880824 10/1961  
 GB 979357 1/1965  
 GB 1 467 828 3/1977  
 GB 2133275 7/1984  
 GB 2173274 10/1986  
 GB 2393126 11/2004  
 GB 2385533 8/2005  
 JP H09-010311 1/1997  
 JP 11-000397 1/1999  
 JP 2000-325481 11/2000  
 JP 2004-016488 1/2004  
 JP 2005-529687 10/2005  
 JP 2007-516750 6/2007  
 JP 2007-527271 9/2007  
 JP 2008-526393 7/2008  
 NZ 573196 7/2010  
 NZ 556198 10/2010  
 NZ 556043 1/2011  
 NZ 551715 2/2011  
 RU 2186597 8/2002  
 SU 726692 9/1981  
 WO WO 1982/003548 10/1982  
 WO WO 98/04310 2/1998  
 WO WO 1998/04311 2/1998

WO WO 98/18514 5/1998  
 WO WO 1998/024499 6/1998  
 WO WO 1998/048878 11/1998  
 WO WO 1998/57691 12/1998  
 WO WO 99/04842 2/1999  
 WO WO 1999/021618 5/1999  
 WO WO 99/58181 11/1999  
 WO WO 1999/058198 11/1999  
 WO WO 00/50122 8/2000  
 WO WO 2000/057942 10/2000  
 WO WO 2000/069497 11/2000  
 WO WO 00/78381 12/2000  
 WO WO 2000/074758 12/2000  
 WO WO 2000/078384 12/2000  
 WO WO 2001/000266 1/2001  
 WO WO 2001/041854 6/2001  
 WO WO 2001/062326 8/2001  
 WO WO 01/97892 12/2001  
 WO WO 2001/097893 12/2001  
 WO WO 2002/011804 2/2002  
 WO WO 02/47749 6/2002  
 WO WO 2002/074372 9/2002  
 WO WO 2003/092755 11/2003  
 WO WO 2004/007010 1/2004  
 WO WO 04/021960 3/2004  
 WO WO 2004/021960 3/2004  
 WO WO 2004/022146 3/2004  
 WO WO 2004/022147 3/2004  
 WO WO 2004/030736 4/2004  
 WO WO 2004/041341 5/2004  
 WO WO 2004/041342 5/2004  
 WO WO 2004/071565 8/2004  
 WO WO 2004/073778 9/2004  
 WO WO 2005/018523 3/2005  
 WO WO 2005/021075 3/2005  
 WO WO 2005/051468 6/2005  
 WO WO 05/063328 7/2005  
 WO WO 2005/068002 7/2005  
 WO WO 2005/079726 9/2005  
 WO WO 2005/086946 9/2005  
 WO WO 05/097247 10/2005  
 WO WO 2005/123166 12/2005  
 WO WO 2006/000046 1/2006  
 WO WO 2006/069415 7/2006  
 WO WO 2006/074513 7/2006  
 WO WO 2006/074514 7/2006  
 WO WO 2006/074515 7/2006  
 WO WO 2006/096924 9/2006  
 WO WO 2006/130903 12/2006  
 WO WO 2006/138416 12/2006  
 WO WO 2007/009182 1/2007  
 WO WO 2007/022562 3/2007  
 WO WO 2007/041751 4/2007  
 WO WO 2007/041786 4/2007  
 WO WO 2007/045008 4/2007  
 WO WO 07/050557 5/2007  
 WO WO 2007/048174 5/2007  
 WO WO 2007/139531 12/2007  
 WO WO 2007/147088 12/2007  
 WO WO 2008/007985 1/2008  
 WO WO 2008/030831 3/2008  
 WO WO 2008/040050 4/2008  
 WO WO 2008/060295 5/2008  
 WO WO 2008/070929 6/2008  
 WO WO 2008/106716 9/2008  
 WO WO 2008/148086 12/2008  
 WO WO 2009/002608 12/2008  
 WO WO 2009/026627 3/2009  
 WO WO 2009/052560 4/2009  
 WO WO 2009/059353 5/2009  
 WO WO 2009/092057 7/2009  
 WO WO 2009/108995 9/2009  
 WO WO 2009/139647 11/2009  
 WO WO 2010/009877 1/2010  
 WO WO 2010/066004 6/2010  
 WO WO 2010/067237 6/2010  
 WO WO 2010/071453 6/2010  
 WO WO 2010/135785 12/2010  
 WO WO 2011/014931 2/2011



(56)

## References Cited

## FOREIGN PATENT DOCUMENTS

WO	WO 2011/060479	5/2011
WO	WO 2011/077254	6/2011
WO	WO 2011/078703	6/2011
WO	WO 2012/020359	2/2012
WO	WO 12/045127	4/2012
WO	WO 2012/040791	4/2012
WO	WO 2012/052902	4/2012
WO	WO 2012/140514	10/2012
WO	WO 2013/006899	1/2013
WO	WO 13/061260	5/2013
WO	WO 13/066195	5/2013
WO	WO 2013/064950	5/2013
WO	WO 13/168041	11/2013
WO	WO 14/020481	2/2014
WO	WO 14/062070	4/2014
WO	WO 2014/129913	8/2014
WO	WO 2014/175753	10/2014
WO	WO 2015/022629	2/2015
WO	WO 2015/033287	3/2015
WO	WO 2015/057087	4/2015
WO	WO 2016/009393	1/2016
WO	WO 2016/032343	3/2016
WO	WO 2016/033857	3/2016
WO	WO 16/139623	9/2016
WO	WO 2017/049356	3/2017
WO	WO 2017/049357	3/2017

## OTHER PUBLICATIONS

U.S. Appl. No. 60/842,741, filed Sep. 7, 2006, Ho et al.  
 U.S. Appl. No. 61/064,406, filed Mar. 4, 2008, Wehbeh.  
 U.S. Appl. No. 61/071,893, filed May 23, 2008, Wehbeh et al.  
 U.S. Appl. No. 61/136,617, filed Feb. 23, 2009, Wehbeh et al.  
 American Heritage Dictionary of the English Language, Fourth Edition (2006) (selected portions).  
 Answer of ResMed Corp. to Complaint for Patent Infringement and Counterclaims, *Fisher & Paykel Healthcare Ltd. v. ResMed Corp.*, Case No. 3:16-cv-02068-DMS-WVG (S.D. Cal.).  
 Australian Examination Report; Application No. 2007273324; dated May 22, 2012; 3 pages.  
 Australian Examination Report for Patent Application No. 2012265597 dated Dec. 19, 2013, in 5 pages.  
 Australian Examination Report; Application No. 20015201920; dated Jul. 20, 2015; 3 pages.  
 Australian Examination Report; dated Aug. 14, 2015; Application No. 2015202814; 8 pages.  
 Australian Examination Report; dated Aug. 5, 2016; Application No. 2016204384; 2 pages.  
 Australian Examination Report; dated Mar. 4, 2014; Application No. 2010246985; 5 pages.  
 Australian Examination Report; dated Sep. 28, 2016; Application No. 2010241390; 4 pages.  
 Australian Patent Application No. 2016202799 Office Action, dated May 31, 2016, in 2 pages.  
 Australian Patent Application No. 2016202801, Office Action, dated Jun. 20, 2016, in 2 pages.  
 Canadian Examination Report for Application No. 2655839 dated Oct. 4, 2013, in 2 pages.  
 Canadian Examination Report; Application No. 2890556; dated Jan. 27, 2016; 3 pages.  
 Canadian Office Action; Application No. 2,780,310; dated Jul. 26, 2016; 4 pages.  
 Canadian Office Action; Application No. 2918167; dated Oct. 3, 2016; 4 pages.  
 Chinese Examination Report; dated Jul. 17, 2015; Application No. 201080061122.1; 10 pages.  
 Chinese Examination Report; dated Mar. 27, 2014; Chinese Application No. 201080028029.0; 16 pages.  
 Chinese Examination Report; dated Sep. 14, 2015; Application No. 201080028029.0; 3 pages.

Chinese Examination Report; dated Sep. 3, 2014; Application No. 201080061122.1; English Translation, 9 pages.  
 Chinese First Office Action for Application No. 201210080441.8, English Translation, dated Mar. 24, 2014, in 4 pages.  
 Chinese Office Action (Second) for Chinese Patent Application No. 201210080441.8 dated Dec. 1, 2014 in 11 pages (with English translation).  
 Chinese Office Action (Second); dated Jan. 19, 2015; Application No. 201080028029.0; 16 pages.  
 Chinese Office Action (Third); Application No. 201080061122.1; dated Apr. 1, 2016; 5 pages.  
 Complaint for Patent Infringement, *ResMed Inc. v. Fisher & Paykel Healthcare Corp. Ltd.*, Case No. 3:16-cv-02072-JLS-MDD (S.D. Cal.) Aug. 16, 2016.  
 Complaint of ResMed Ltd, ResMed Inc., and ResMed Corp. Under Section 337 of the Tariff Act of 1930, as amended, Investigation No. 337-TA-1022, Aug. 17, 2016.  
 EPO Search Report; dated Apr. 2, 2014; Application No. 09819444.2; 8 pages.  
 European Examination Report; Application No. 07808683.2; dated Jul. 8, 2015; 8 pages.  
 European Extended Search Report, Application No. EP12770681.0, Oct. 15, 2014, 6 pages.  
 European Extended Search Report; dated Sep. 4, 2015; Application No. 10830251.4; 7 pages.  
 European Extended Search Report; dated Sep. 8, 2015; Application No. 10774623.2; 7 pages.  
 European Search Report and Written Opinion dated May 12, 2016; Application No. 09746823.5, 11 pages.  
 Fisher & Paykel Healthcare Limited, Simplus Full Face Mask, 185048005 REVA, 2012.  
 GB Combined Search and Examination Report; dated May 7, 2014; Application No. GB1406401.8; 4 pages.  
 GB Combined Search and Examination Report; dated May 7, 2014; Application No. GB1406402.6; 6 pages.  
 International Preliminary Report on Patentability (IPRP), International Application No. PCT/NZ2009/000219, dated Apr. 12, 2011, 9 pages.  
 International Preliminary Report on Patentability and Written Opinion of the ISA; International Application No. PCT/NZ2010/000229; dated May 22, 2012; 14 pages.  
 International Search Report Aug. 13, 2012, for Application No. PCT/IB2012/000858 filed Apr. 13, 2012.  
 International Search Report for International Application No. PCT/NZ2007/000185, dated Oct. 31, 2007, in 3 pages.  
 International Search Report for International Application No. PCT/NZ2014/000021; filed Feb. 21, 2014.  
 International Search Report for PCT/IB2016/054365, dated Feb. 2, 2017 in 8 pages.  
 International Search Report, International Application No. PCT/NZ2009/000219, dated Feb. 2, 2010, 3 pages.  
 International Search Report, PCT/IB2015/055412, dated Oct. 12, 2015 in 6 pages.  
 International Search Report, PCT/NZ2015/050119, dated Nov. 20, 2015 in 6 pages.  
 International Search Report; Application No. PCT/NZ2013/000138; dated Nov. 1, 2013; 5 pages.  
 International Search Report; PCT/NZ2005/000062; dated May 27, 2005; 3 pages.  
 International Search Report; PCT/NZ2009/000072; dated Jul. 28, 2009; 3 pages.  
 International Search Report; PCT/NZ2010/000229; dated Mar. 18, 2011; 8 pages.  
 International Search Report; PCT/NZ2012/000199; dated Jan. 21, 2013; 4 pages.  
 Japanese Examination Report; dated Aug. 5, 2015; Application No. 2012-538784; 8 pages.  
 Japanese Examination Report; dated Feb. 10, 2014; Application No. 2012-510418; English Translation, 4 pages.  
 Japanese Examination Report; dated Jul. 22, 2015; Application No. 2015-098324; 8 pages.  
 Japanese Office Action; Application No. 2012-538784; dated Jul. 25, 2016; 2 pages.



(56)

**References Cited**

## OTHER PUBLICATIONS

JP Examination Report, Application No. 2012-538784; 3 pages dated Aug. 25, 2014.

Malloy, Robert A., Plastic Part Design for Injection Molding: An Introduction, pp. 336-345 (Hanser Gardner Publications, Inc. 1994) (Malloy).

May 27, 2005 International Search Report for Application No. PCT/NZ2005/000062.

Merriam-Webster's Collegiate Dictionary, Eleventh Edition (2004) (selected portions).

Oxford American College Dictionary Excerpts, 2002.

Philips Respiroics "System One Heated Humidifier—User Manual", 2011, pp. 1-16, [retrieved on Nov. 25, 2013] from the Internet: URL: <http://www.cpapxchange.com/cpap-machines-biip-machines/system-one-60-series-cpap-humidifier-manual.pdf> front cover, pp. 3-4 and 6.

ResMed "Mirage Swift™ Nasal Pillows System from ResMed" publication, © 2004 ResMed Ltd.

ResMed "Mirage Swift™ Nasal Pillows System: User's Guide" publication, © 2004 ResMed Ltd.

ResMed "Mirage Vista™ Nasal Mask: Components Card" publication, © 2005 ResMed Ltd.

ResMed Origins Brochure (Retrieved Apr. 17, 2016 from <http://www.resmed.com/us/dam/documents/articles/resmedorigins.pdf>).

ResMed Ultra Mirage brochure, 2004.

ResMed Webpage from Jun. 29, 1997 (Source: Wayback Machine Internet Archive); <http://web.archive.org/web/19970629053430/http://www.resmed.com/maskframes/mask.htm>.

Statutory Declaration made by Alistair Edwin McAuley, Apr. 9, 2015, in the matter of an Opposition by Fisher & Paykel Healthcare Limited of Australian patent application 2009221630 in the name of ResMed Limited.

UK Examination Report; dated May 9, 2013; Application No. GB1119385.1; 4 pages.

UK Search and Examination Report; Mar. 14, 2013; Application No. GB1210075.6; 2 pages.

Webster's II New College Dictionary Excerpts, 3<sup>rd</sup> ed.

Written Opinion of the International Searching Authority dated Aug. 13, 2012; for Application No. PCT/IB2012/000858 filed Apr. 13, 2012.

Written Opinion of the International Searching Authority; PCT/NZ2010/000229; dated Mar. 18, 2011; 13 pages.

Written Opinion of the International Searching Authority: PCT/NZ2012/000199; dated Jan. 21, 2013; 4 pages.

European Search Report, Application No. EP 16758540.5, dated Sep. 27, 2018, 7 pages.

International Search Report, Application No. PCT/IB2016/051212, dated Jun. 8, 2016, 10 pages.

Answer of ResMed Corp. to Complaint for Patent Infringement and Counterclaims, *Fisher & Paykel Healthcare Ltd. v. ResMed Corp.*, Case No. 3:16-cv-02068-DMS-WVG (S.D. Cal.), filed Oct. 27, 2016, 9 pages.

Chinese Examination Report; Application No. 2007800266164, English Translation, 5 pages, dated Feb. 17, 2011.

File History of U.S. Pat. No. 8,944,061, filed Mar. 15, 2013, Excerpts, 437 pages.

File History of U.S. Pat. No. 8,950,404, filed Apr. 19, 2011, Excerpts, Part 1, 233 pages.

File History of U.S. Pat. No. 8,950,404, filed Apr. 19, 2011, Excerpts, Part 2, 247 pages.

File History of U.S. Pat. No. 8,950,404, filed Apr. 19, 2011, Excerpts, Part 3, 186 pages.

File History of U.S. Pat. No. 8,960,196, filed May 29, 2013 Excerpts, 51 pages.

File History of U.S. Pat. No. 9,119,931, Excerpts, Part 1, 263 pages.

File History of U.S. Pat. No. 9,119,931, Excerpts, Part 2, 264 pages.

File History of U.S. Pat. No. 9,119,931, filed Jul. 31, 2014 Excerpts, Part 3, 222 pages.

File History of U.S. Pat. No. 9,381,316, filed Jan. 30, 2009 Excerpts, Part 1, 285 pages.

File History of U.S. Pat. No. 9,381,316, filed Jan. 30, 2009 Excerpts, Part 2, 266 pages.

File History of U.S. Pat. No. 9,381,316, filed Jan. 30, 2009 Excerpts, Part 3, 104 pages.

File History of U.S. Pat. No. 9,522,246 filed Feb. 6, 2015, Excerpts, 261 pages.

Fisher & Paykel HC200 Series Nasal CPAP Blower & Heated Humidifier User Manual by Fischer & Paykel Healthcare, May 1998, 17 Pages.

Fisher & Paykel MR810 Respiratory Humidifier Technical Manual, Revision C, 2004, Fischer & Paykel Healthcare Ltd, Auckland New Zealand, 43 pages.

Patent Owner's Complaint for *Fisher & Paykel Healthcare Ltd. v. ResMed Corp.*, Case No. 2:16-cv-06099-R-AJW (C.D. Cal.), filed Aug. 15, 2016, 29 pages.

Patent Owner's Complaint for *Fisher & Paykel Healthcare Ltd. v. ResMed Corp.*, Case No. 3:16-cv-02068-GPC-WVG (S.D. Cal.) filed Aug. 16, 2016, 29 pages.

Petition for Inter Partes Review of U.S. Pat. No. 8,443,807 Pursuant to 35 U.S.C. §§ 311-19, 37 C.F.R. § 42, IPR2016-01726, filed Sep. 7, 2016, 74 pages.

Petition for Inter Partes Review of U.S. Pat. No. 8,443,807 Pursuant to 35 U.S.C. §§ 311-19, 37 C.F.R. § 42, IPR2016-01734, filed Sep. 7, 2016, 74 pages.

Petition for Inter Partes Review of U.S. Pat. No. 8,479,741 Pursuant to 35 U.S.C. §§ 311-19, 37 C.F.R. § 42, IPR2016-01714, filed Sep. 7, 2016, 61 pages.

Petition for Inter Partes Review of U.S. Pat. No. 8,479,741 Pursuant to 35 U.S.C. §§ 311-19, 37 C.F.R. § 42, IPR2016-01718, filed Sep. 7, 2016, 65 pages.

Petitioners' Complaint for *ResMed Inc., et al. v. Fisher & Paykel Healthcare Corp. Ltd., et al.*, Case No. 3:16-cv-02072-JAH-MDD (S.D. Cal.), filed Aug. 16, 2016, 65 pages.

\* cited by examiner

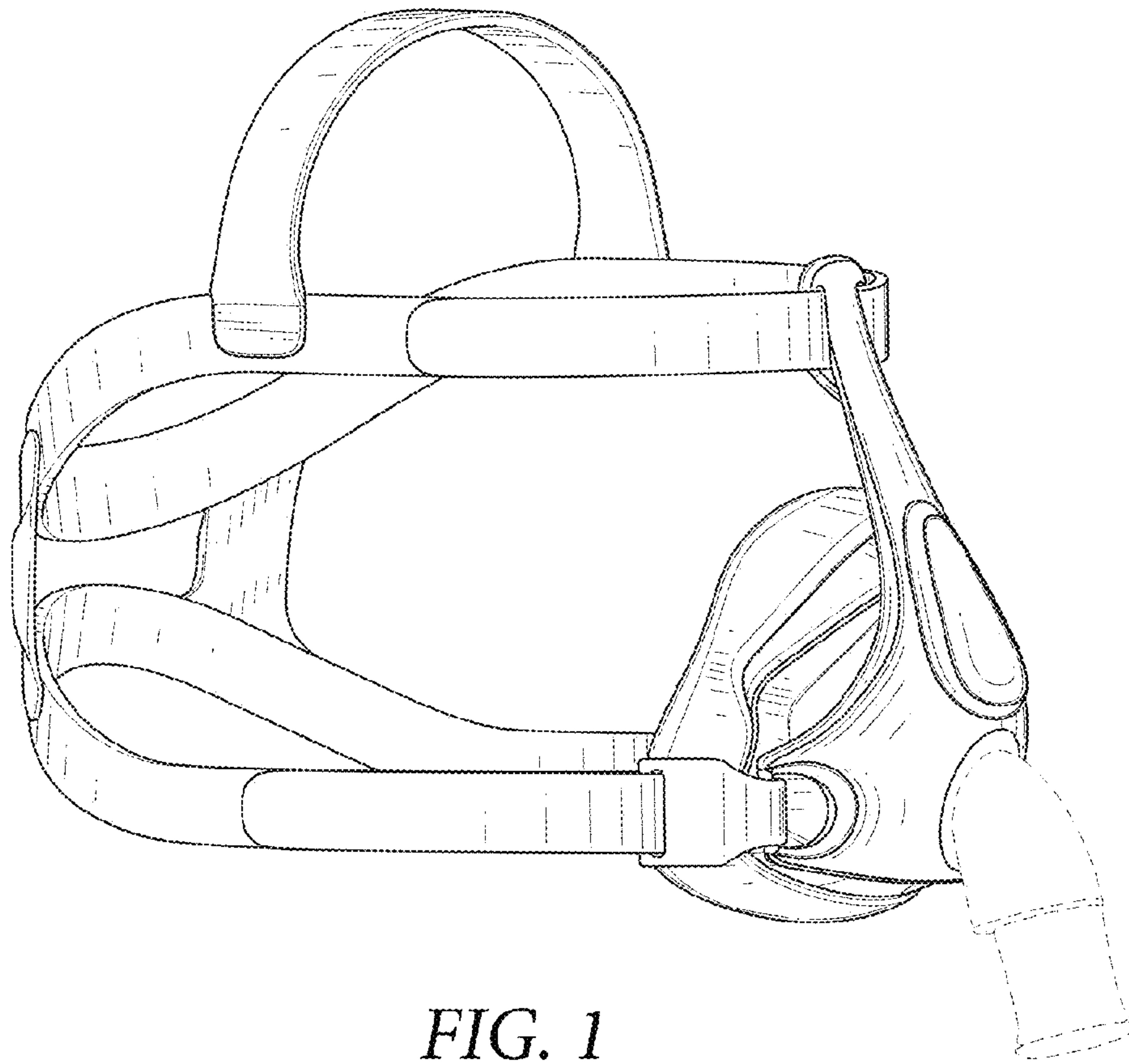


FIG. 1

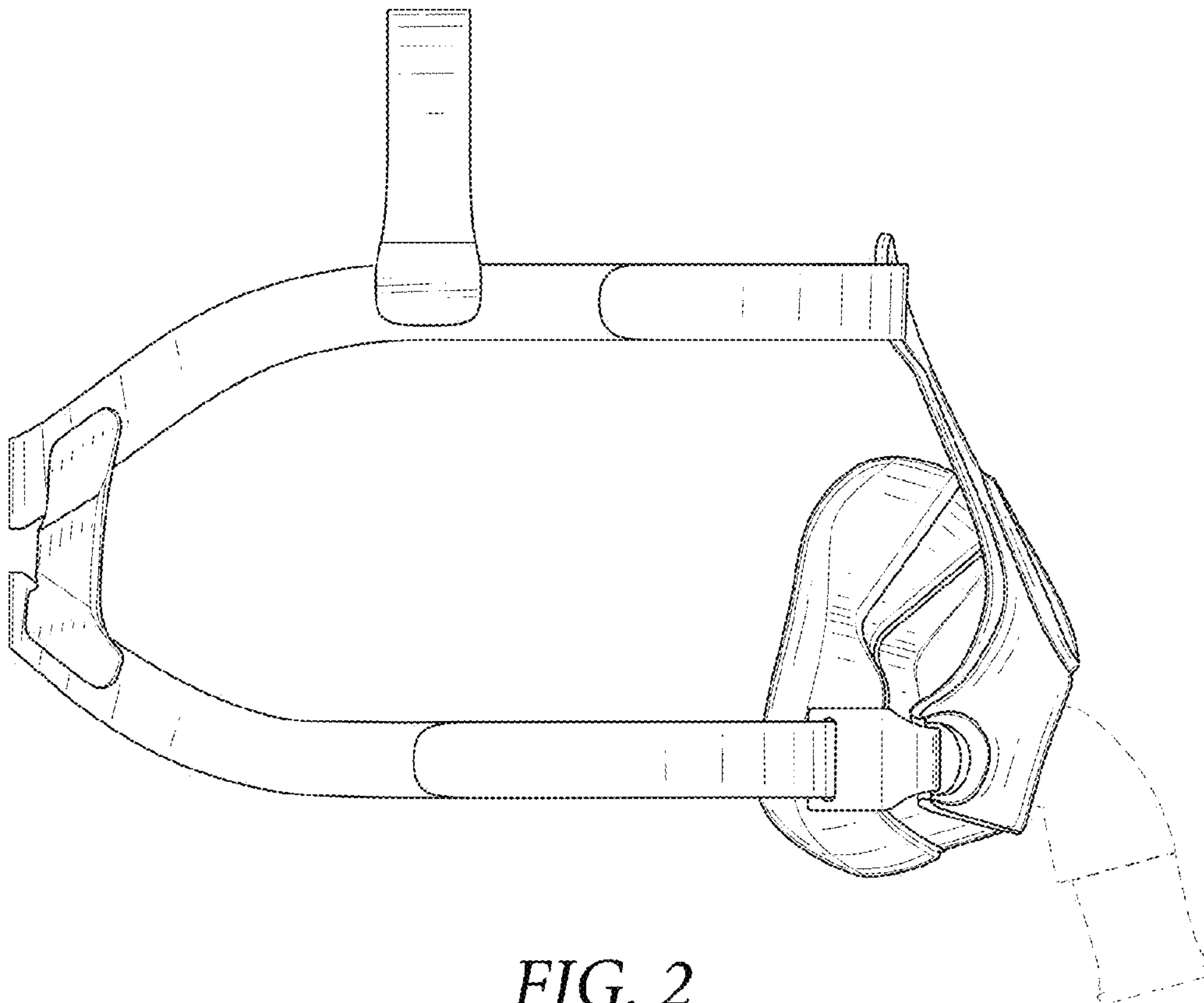


FIG. 2



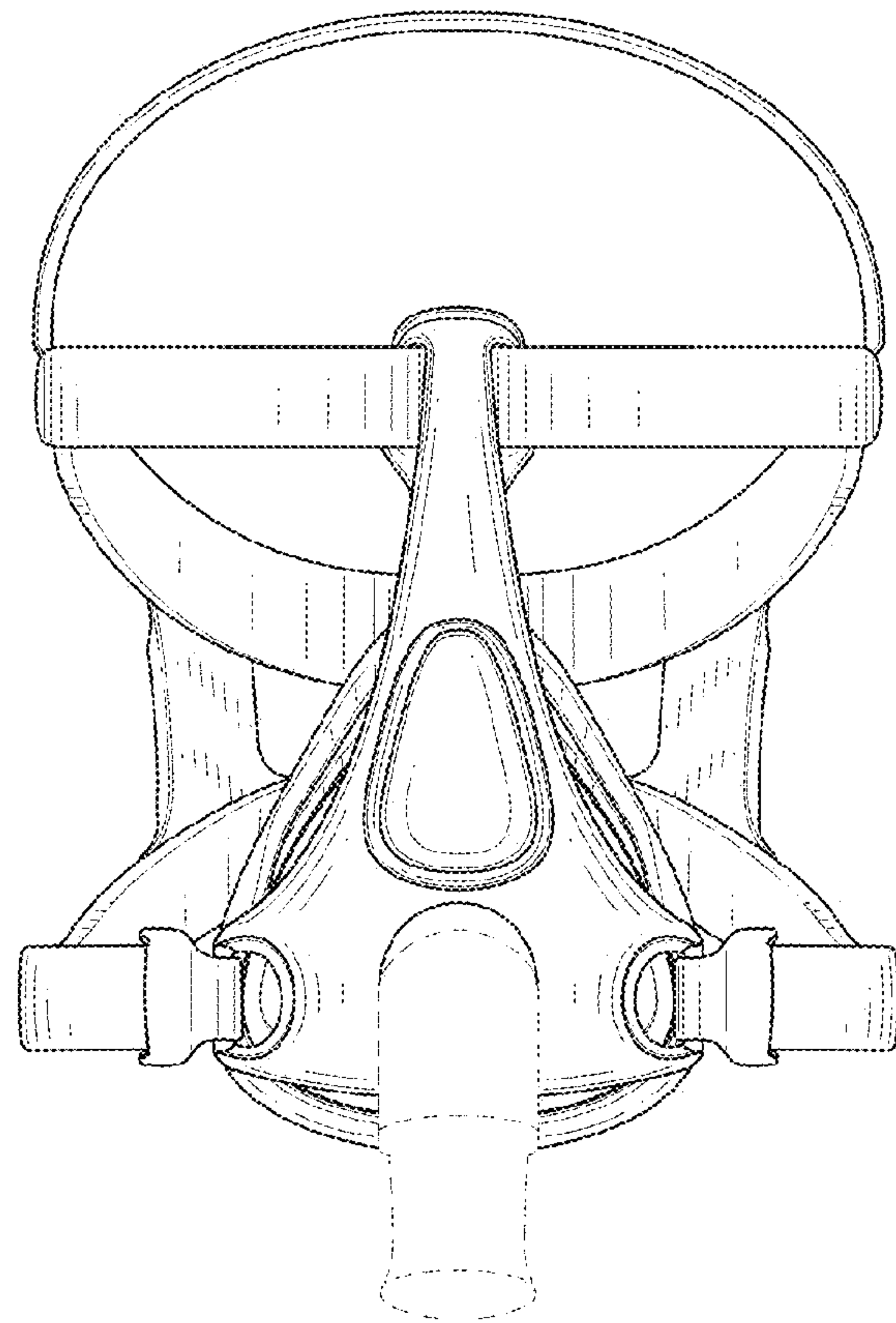


FIG. 3

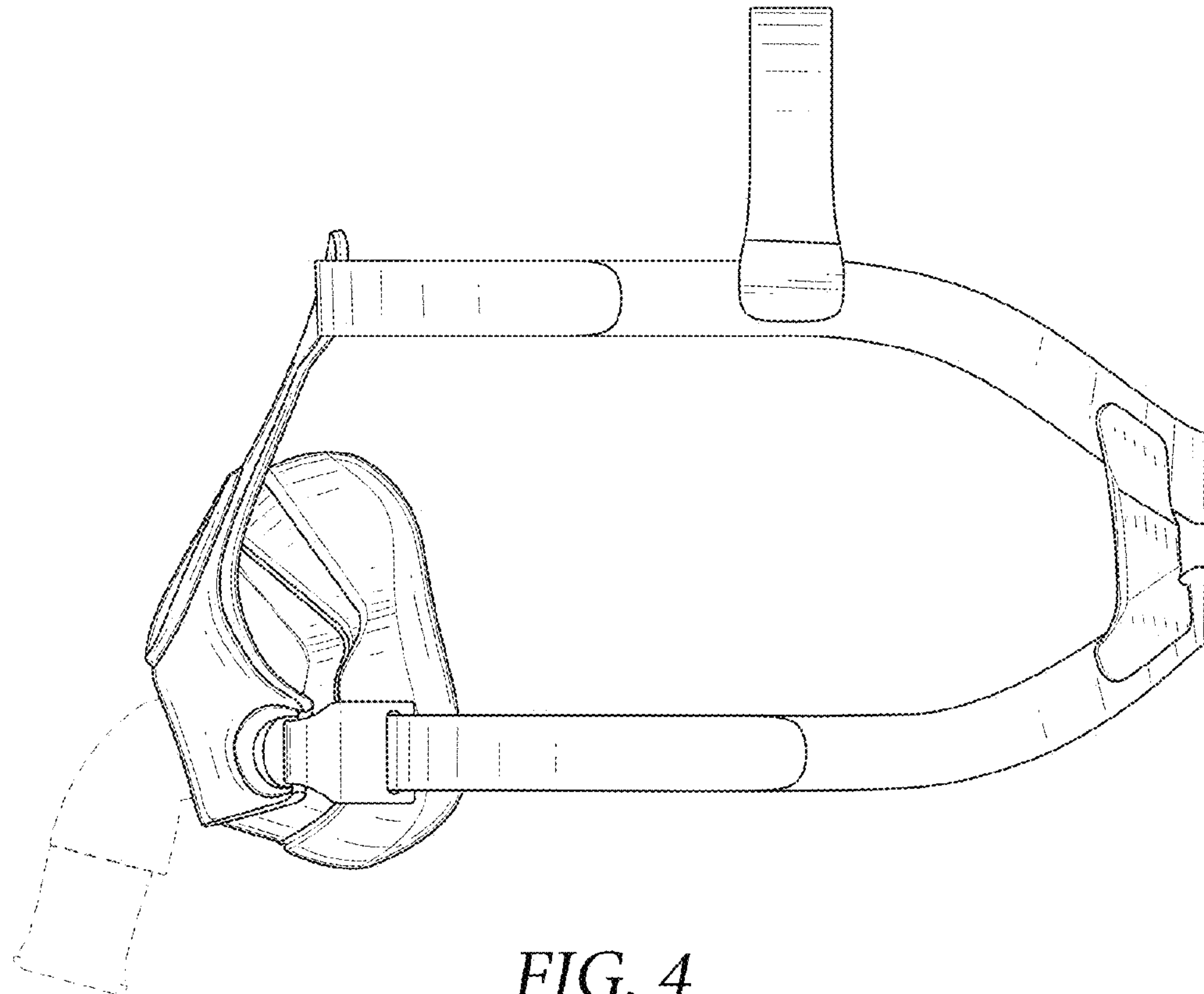


FIG. 4



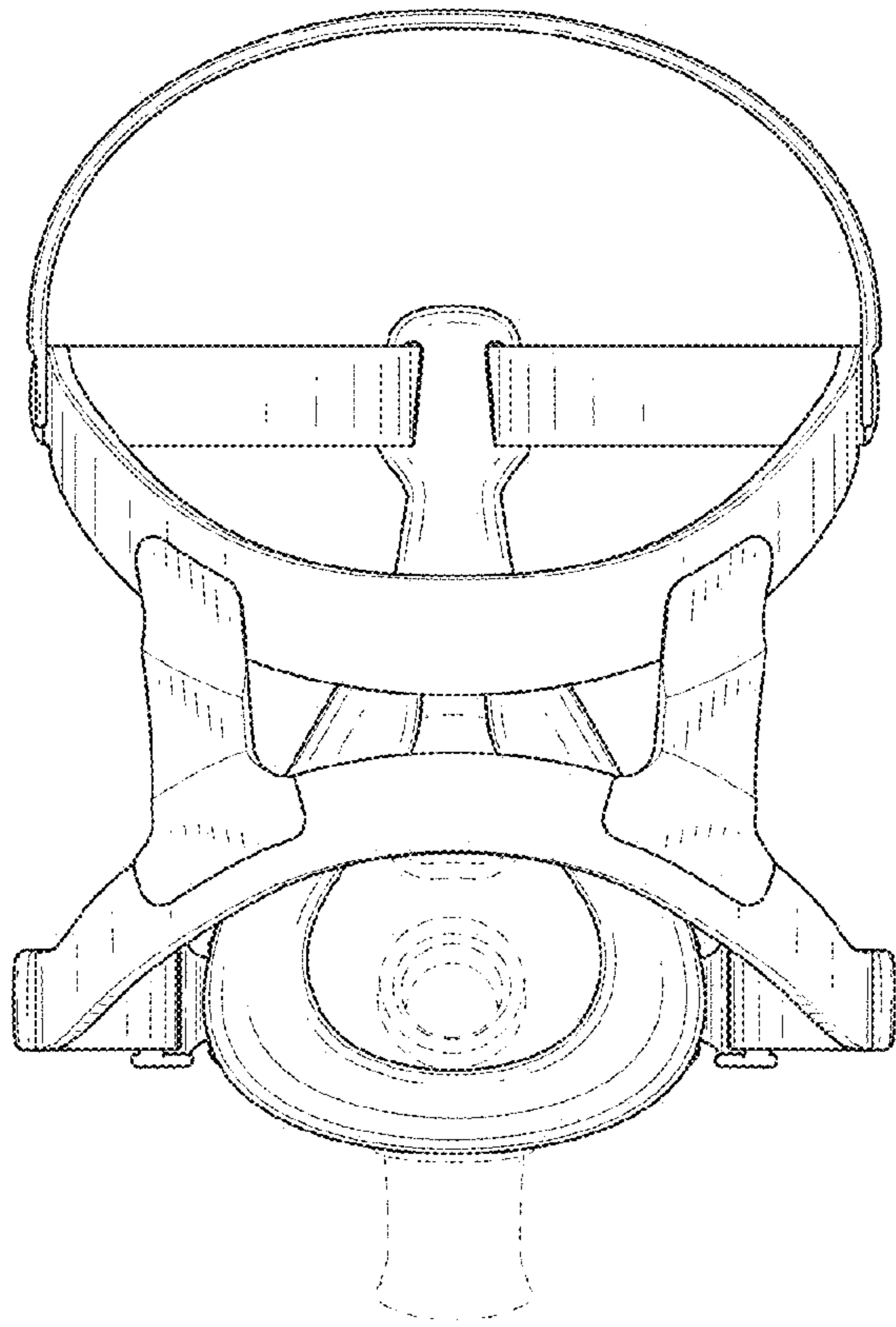


FIG. 5

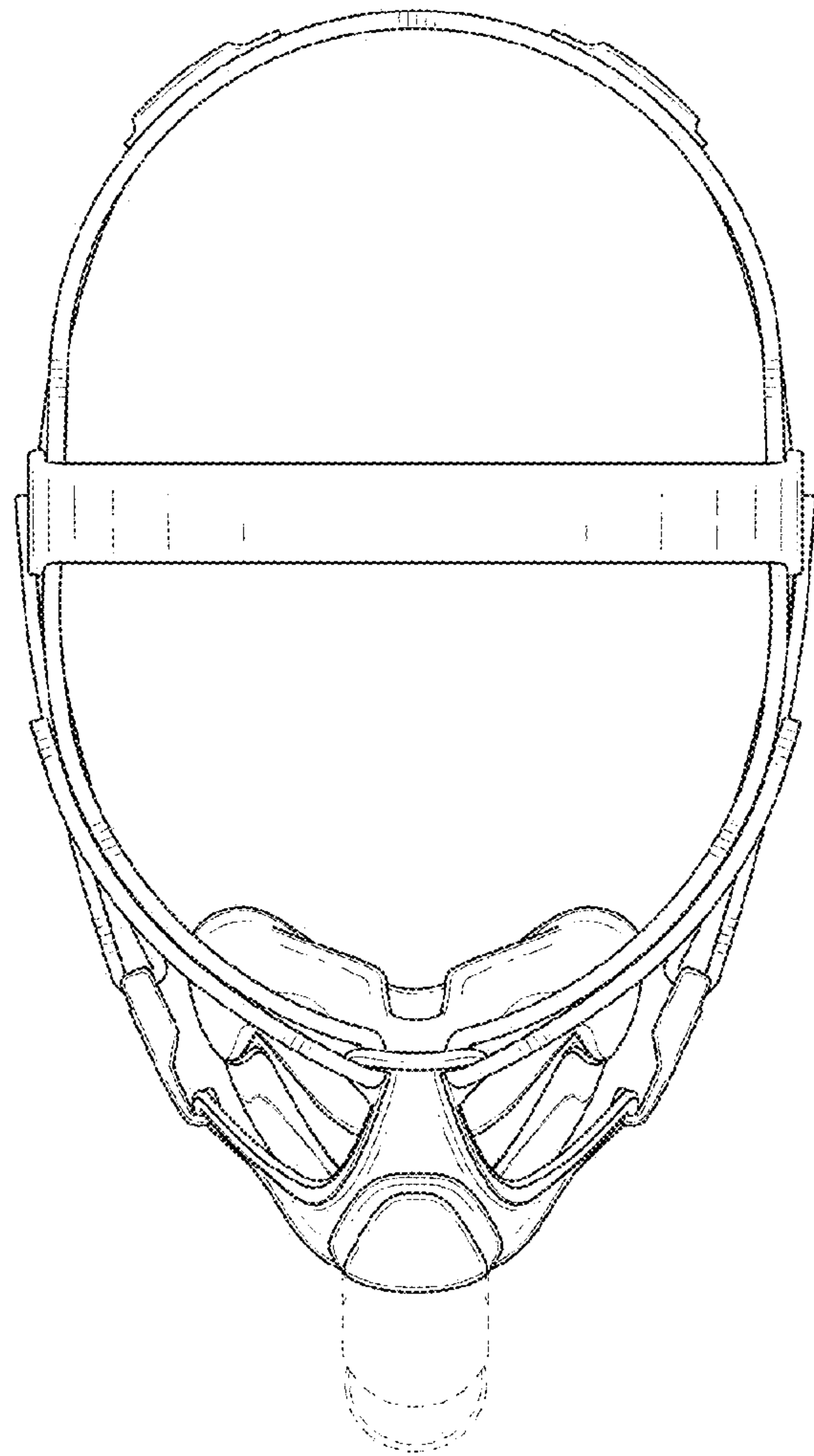


FIG. 6



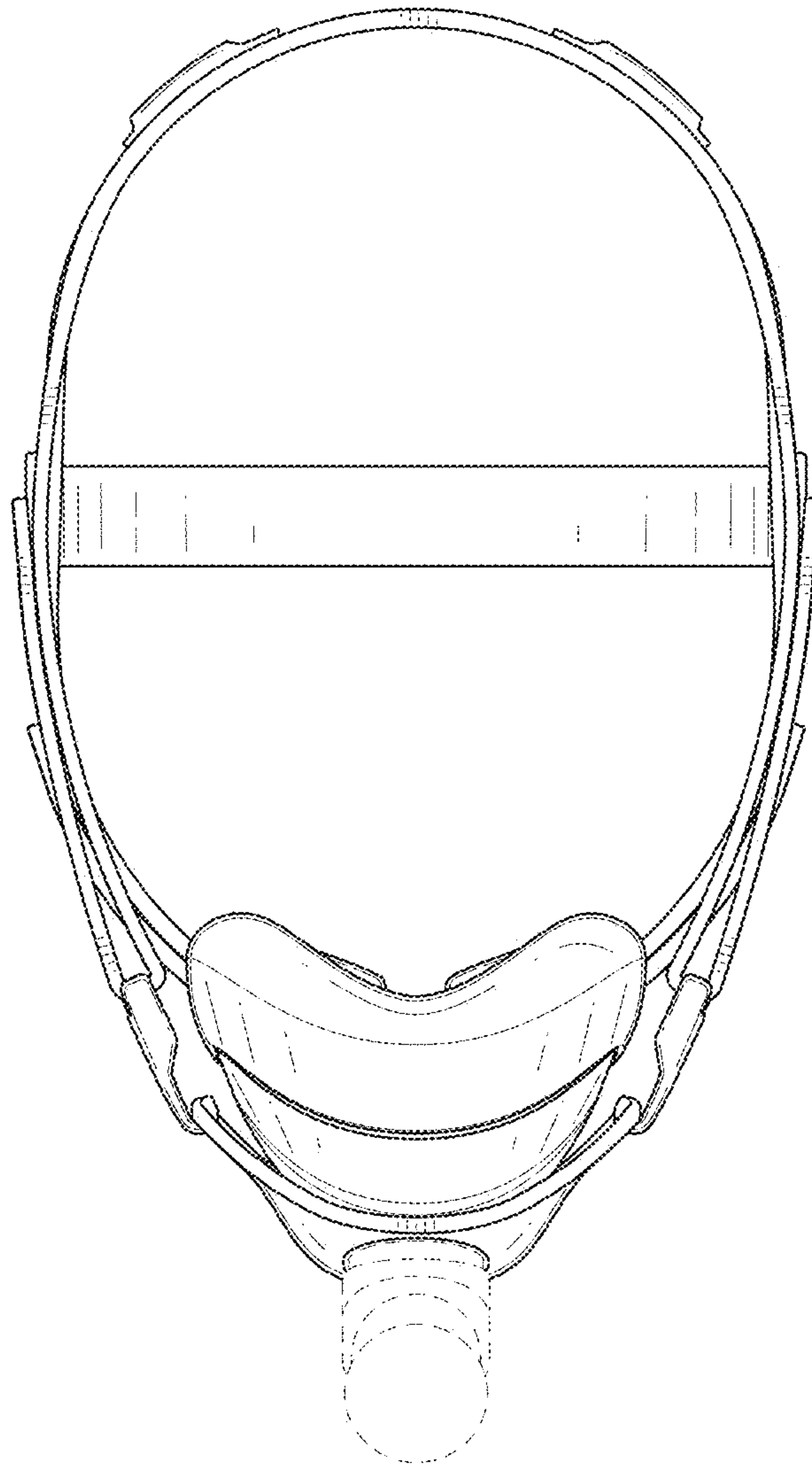


FIG. 7