



US0D1009940S

(12) **United States Design Patent** (10) **Patent No.:** **US D1,009,940 S**
Hu (45) **Date of Patent:** **** Jan. 2, 2024**

(54) **ELECTRIC PUMP HEAD**
(71) Applicant: **Yingzhu Lin**, Shenzhen (CN)
(72) Inventor: **Jinjun Hu**, Shenzhen (CN)
(**) Term: **15 Years**
(21) Appl. No.: **29/813,071**
(22) Filed: **Oct. 26, 2021**
(51) **LOC (14) Cl.** **15-02**
(52) **U.S. Cl.**
USPC **D15/7**
(58) **Field of Classification Search**
USPC D15/7, 8, 9, 9.1, 150, 151; D9/448
CPC A47K 5/1217; A47K 5/16; A47K 5/1205;
A47K 5/1204; F04B 17/03; F04B 17/00;
F04B 49/00; F04B 49/06; F04B 49/08;
F04B 35/04; F04B 53/16; F04B 53/00;
F04C 2240/30; F04C 2210/20; F04C
2210/00; F04C 2210/10; F04C 13/008;
F04C 14/04; F04C 2270/025; F04D
13/06; F04D 13/08; F04D 25/06; F04D
29/40; F16H 57/0434; F16H 57/0436
See application file for complete search history.

(56) **References Cited**
U.S. PATENT DOCUMENTS
D250,429 S * 11/1978 Batson D15/9.1
D295,522 S * 5/1988 Martin D15/7
D649,457 S * 11/2011 Rowen D9/448
D661,580 S * 6/2012 Takizawa D9/450
D665,667 S * 8/2012 Ghiorghie D9/448
D800,176 S * 10/2017 Soto D15/7

D832,705 S * 11/2018 Bos D9/448
D929,228 S * 8/2021 Takizawa D9/448
D951,998 S * 5/2022 Park D15/7
D969,172 S * 11/2022 Chen D15/7
D975,544 S * 1/2023 Kim D9/448

* cited by examiner

Primary Examiner — Calvin E Vansant
Assistant Examiner — Eidiol Ghigliotty Torres
(74) *Attorney, Agent, or Firm* — Che-Yang Chen; Law
Office of Michael Chen

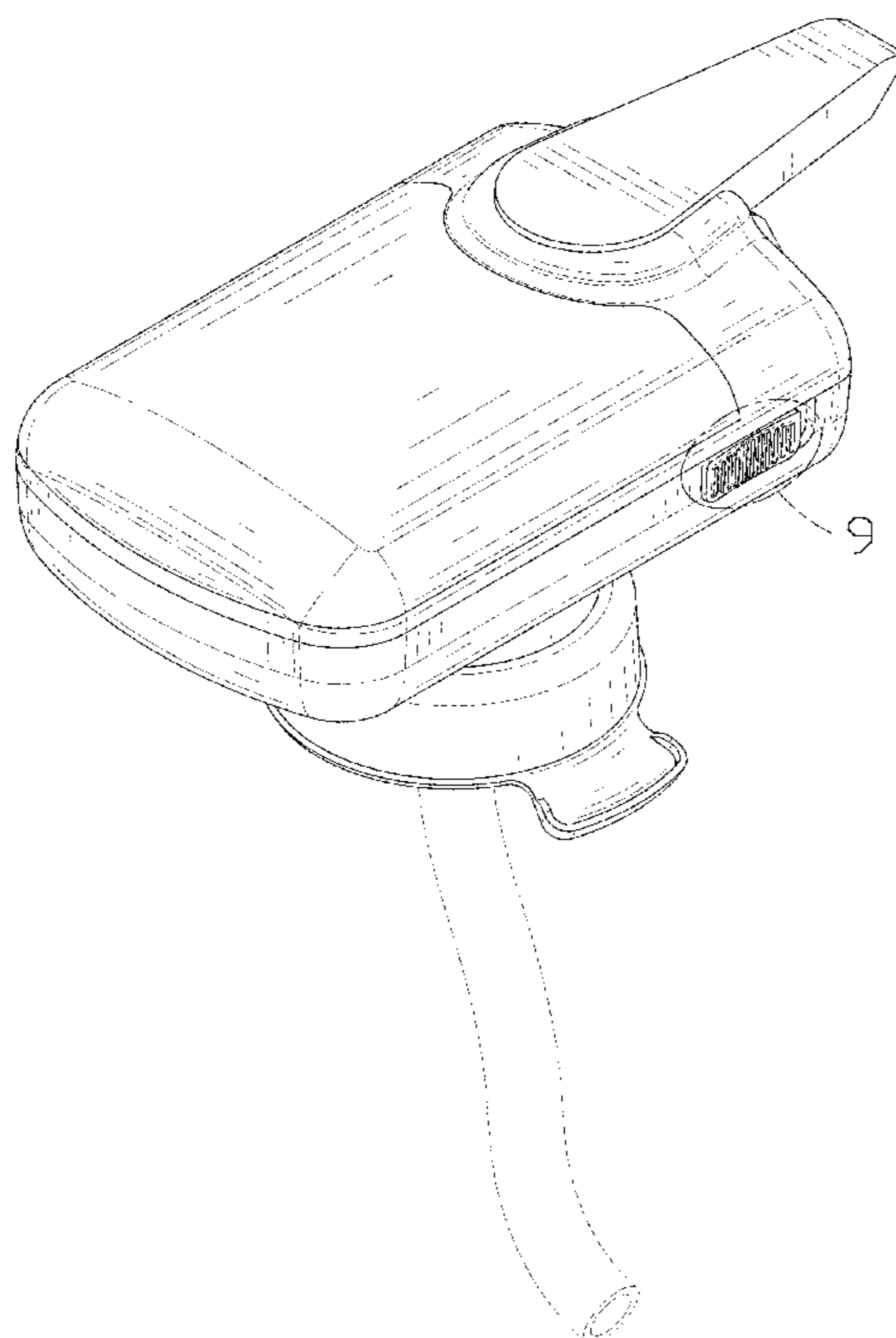
(57) **CLAIM**

The ornamental design for an electric pump head, as shown and described.

DESCRIPTION

FIG. 1 is a perspective view of the electric pump head showing my new design;
FIG. 2 is a perspective view thereof from another angle;
FIG. 3 is a front elevational view thereof;
FIG. 4 is a rear elevational view thereof;
FIG. 5 is a left side elevational view thereof;
FIG. 6 is a right side elevational view thereof;
FIG. 7 is a top plan view thereof;
FIG. 8 is a bottom plan view thereof;
FIG. 9 is a partial enlarged view of portion 9 in FIG. 1; and,
FIG. 10 is a partial enlarged view of portion 10 in FIG. 2.
The broken lines depict portions of the electric pump head that form no part of the claimed design. The dot-dash broken lines encircling portions of the claimed design that are illustrated in enlargements form no part of the claimed design.

1 Claim, 10 Drawing Sheets



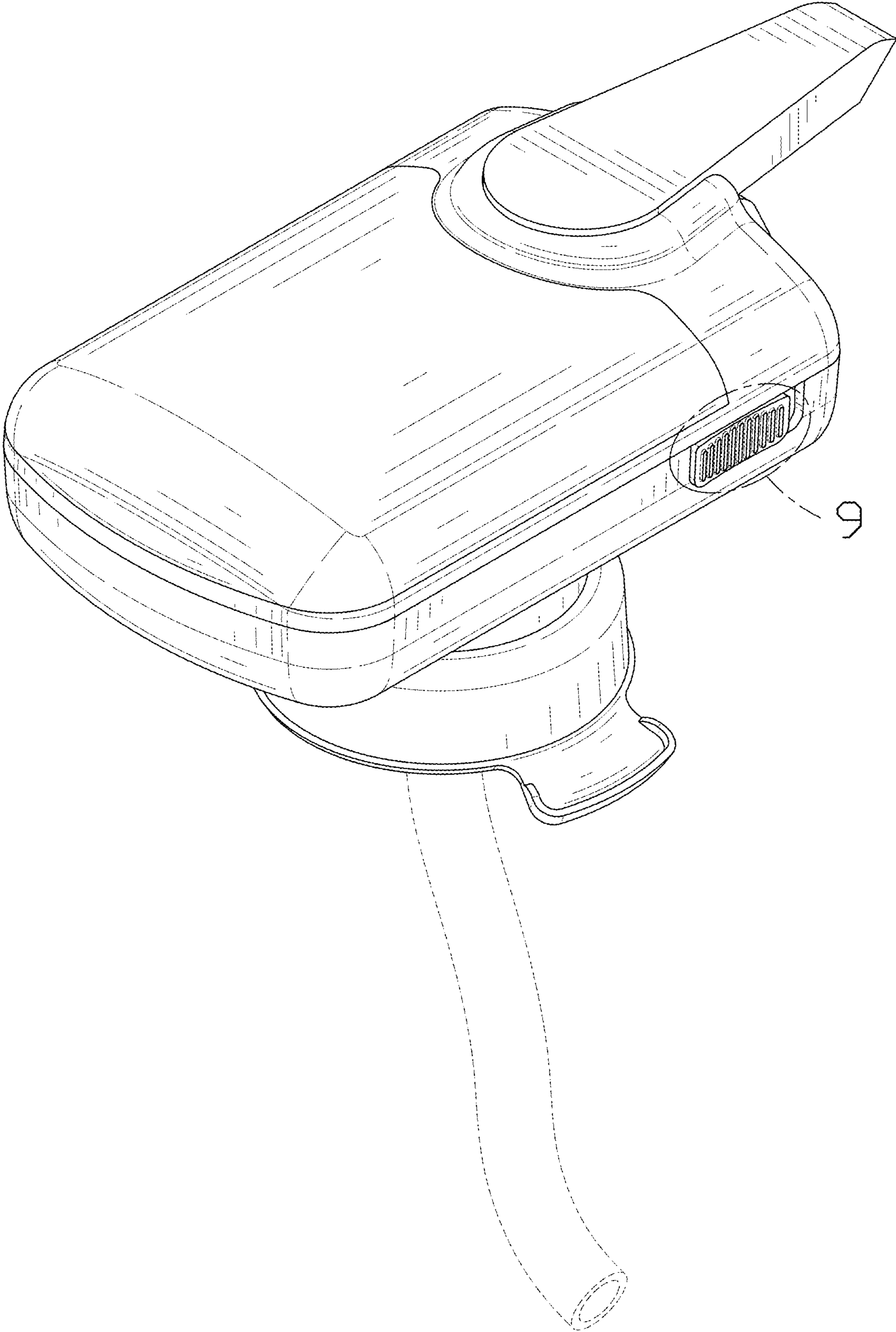


FIG. 1

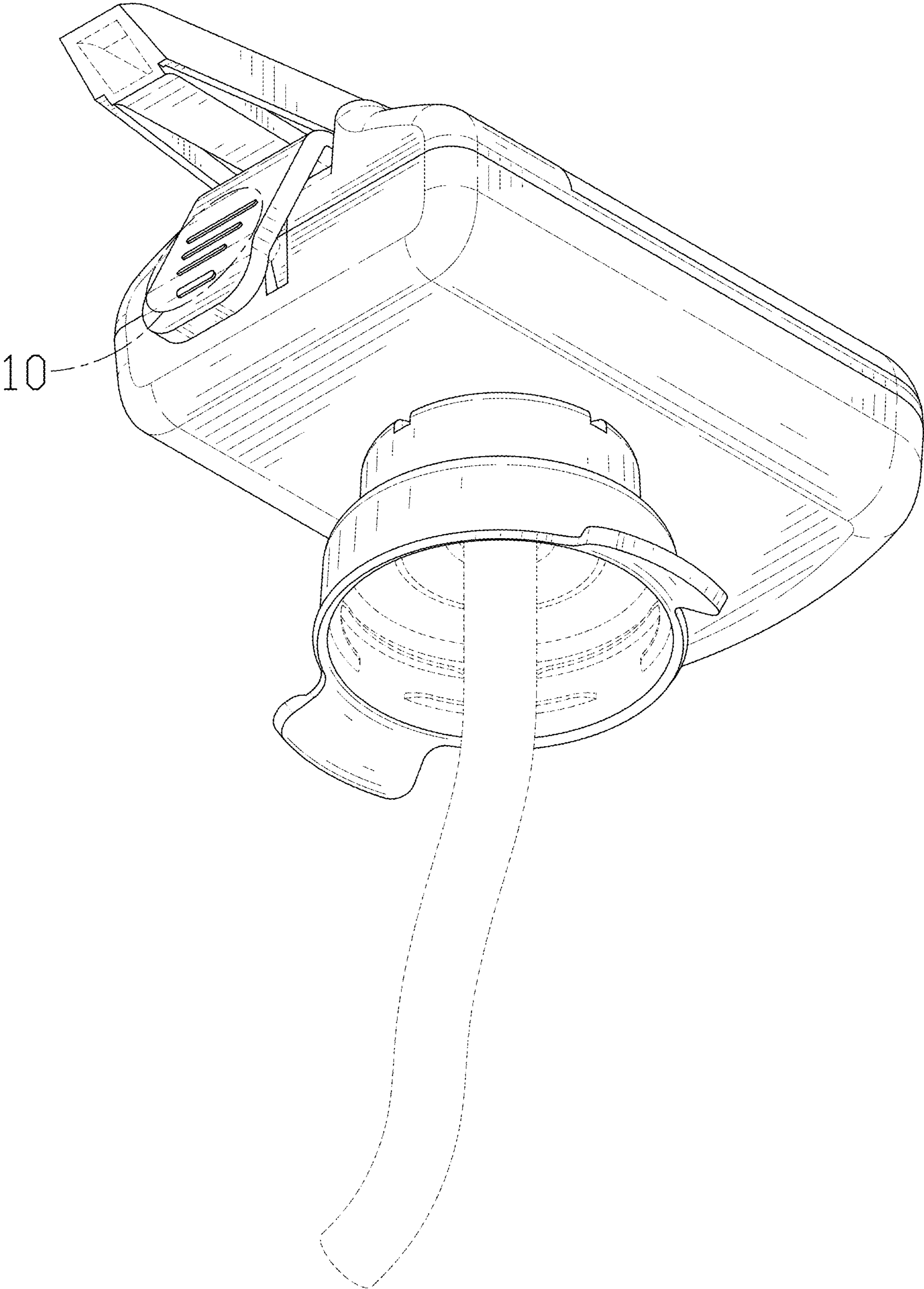


FIG. 2

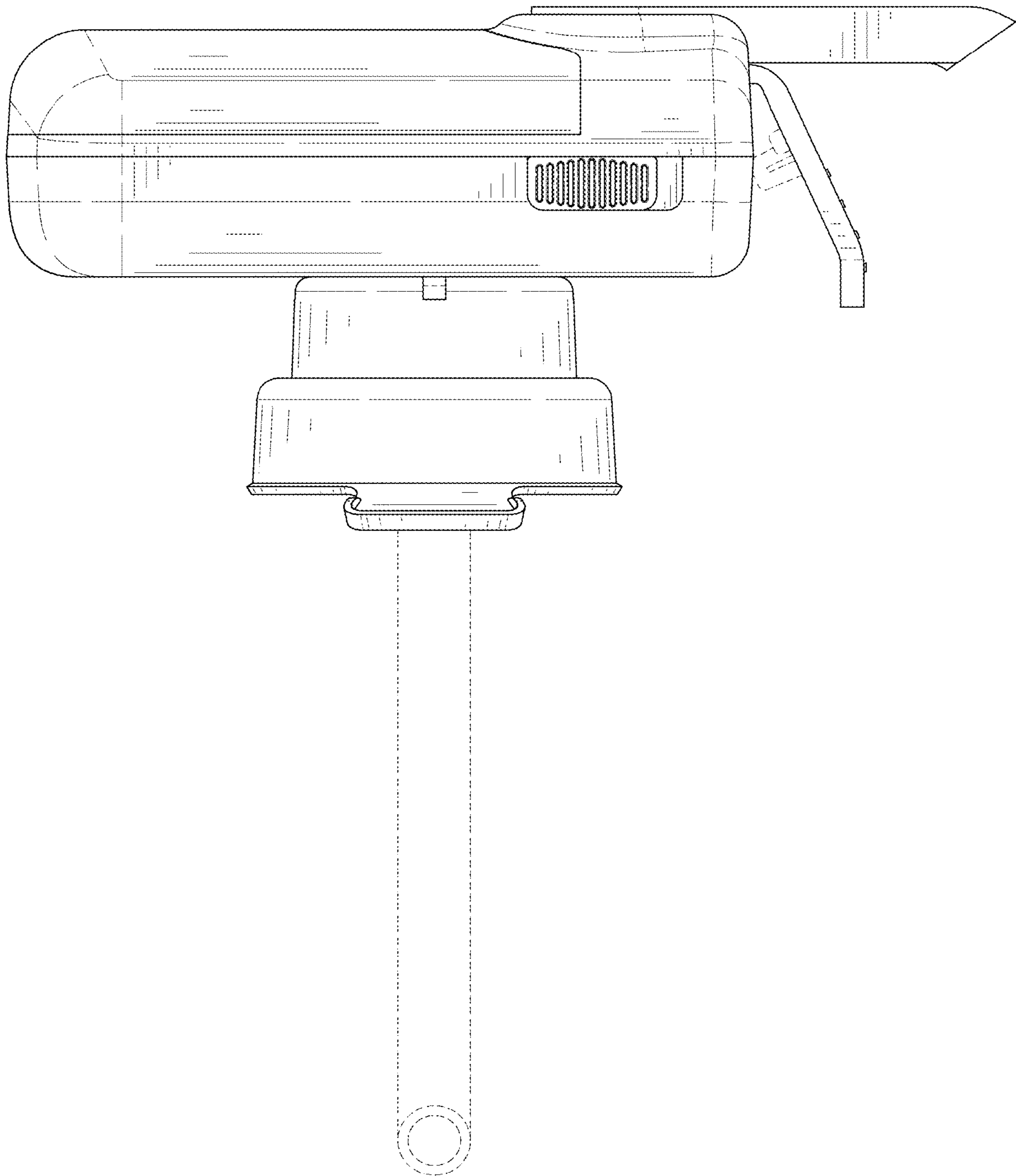


FIG. 3

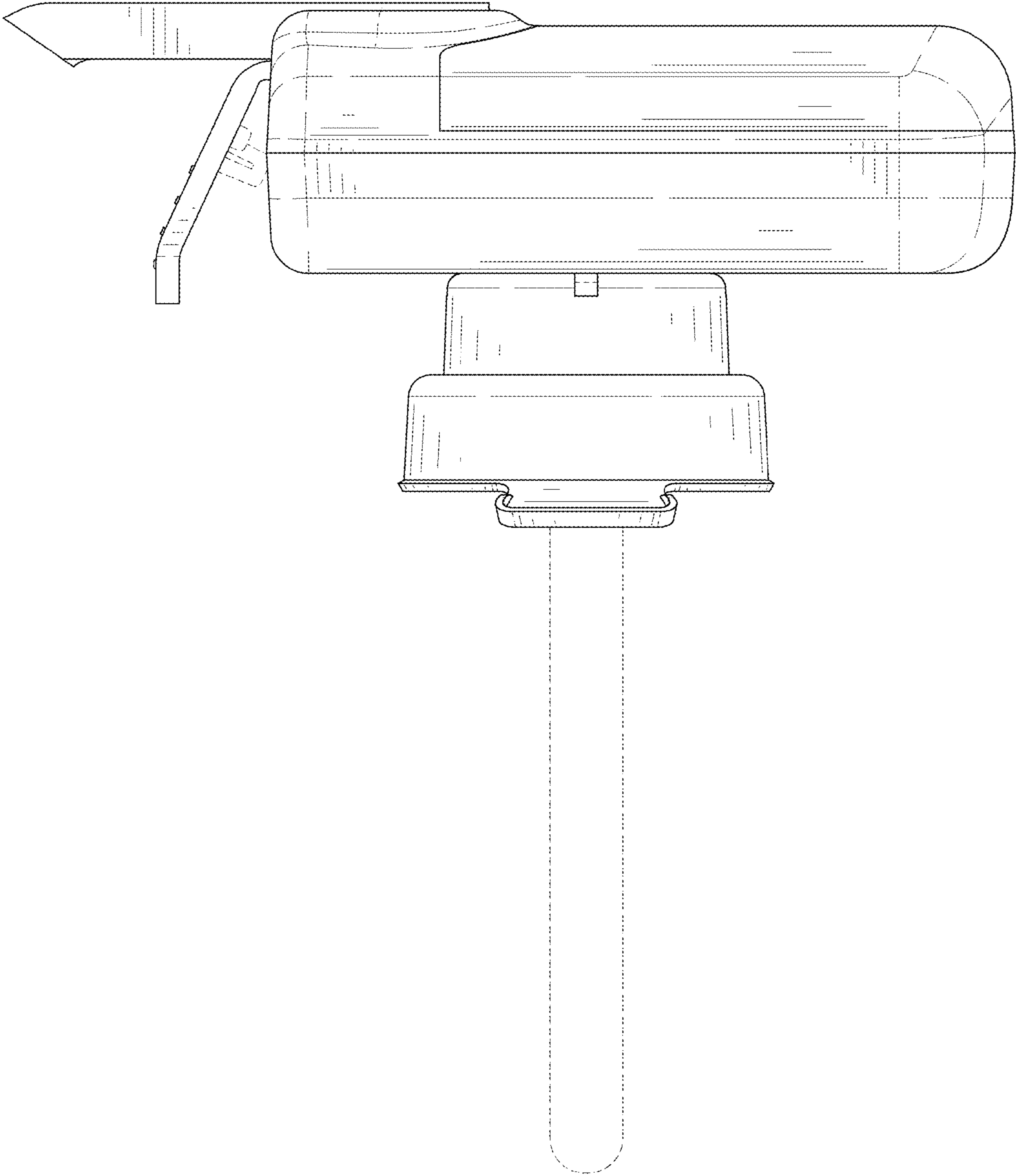


FIG. 4

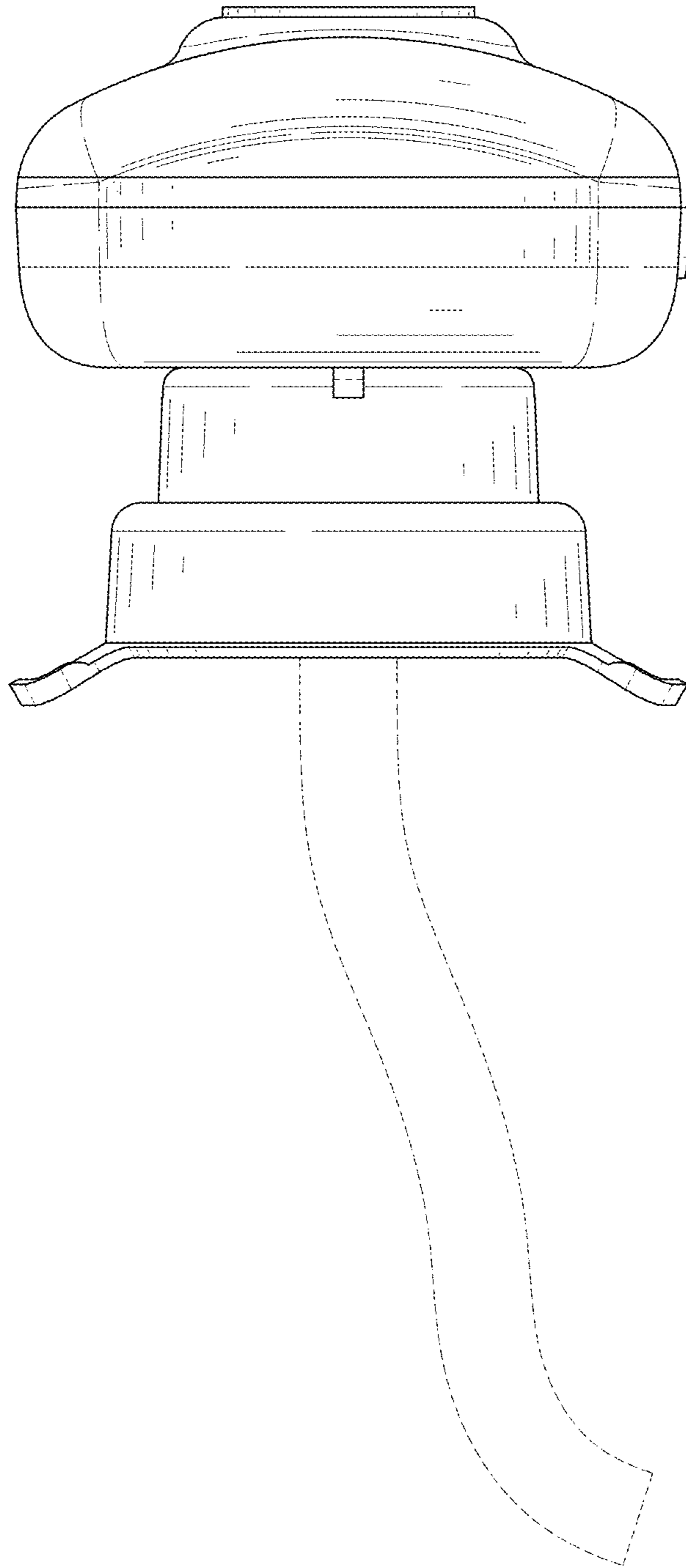


FIG. 5

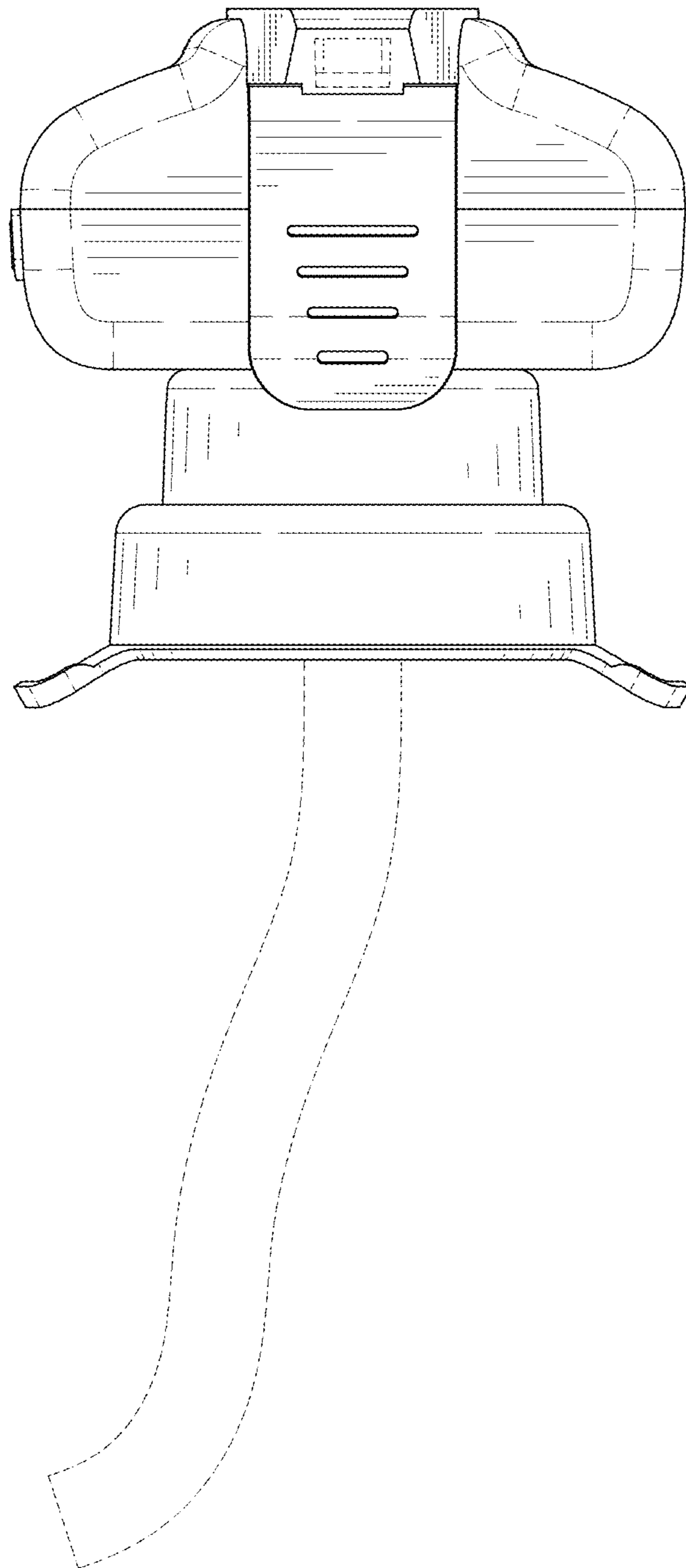


FIG. 6

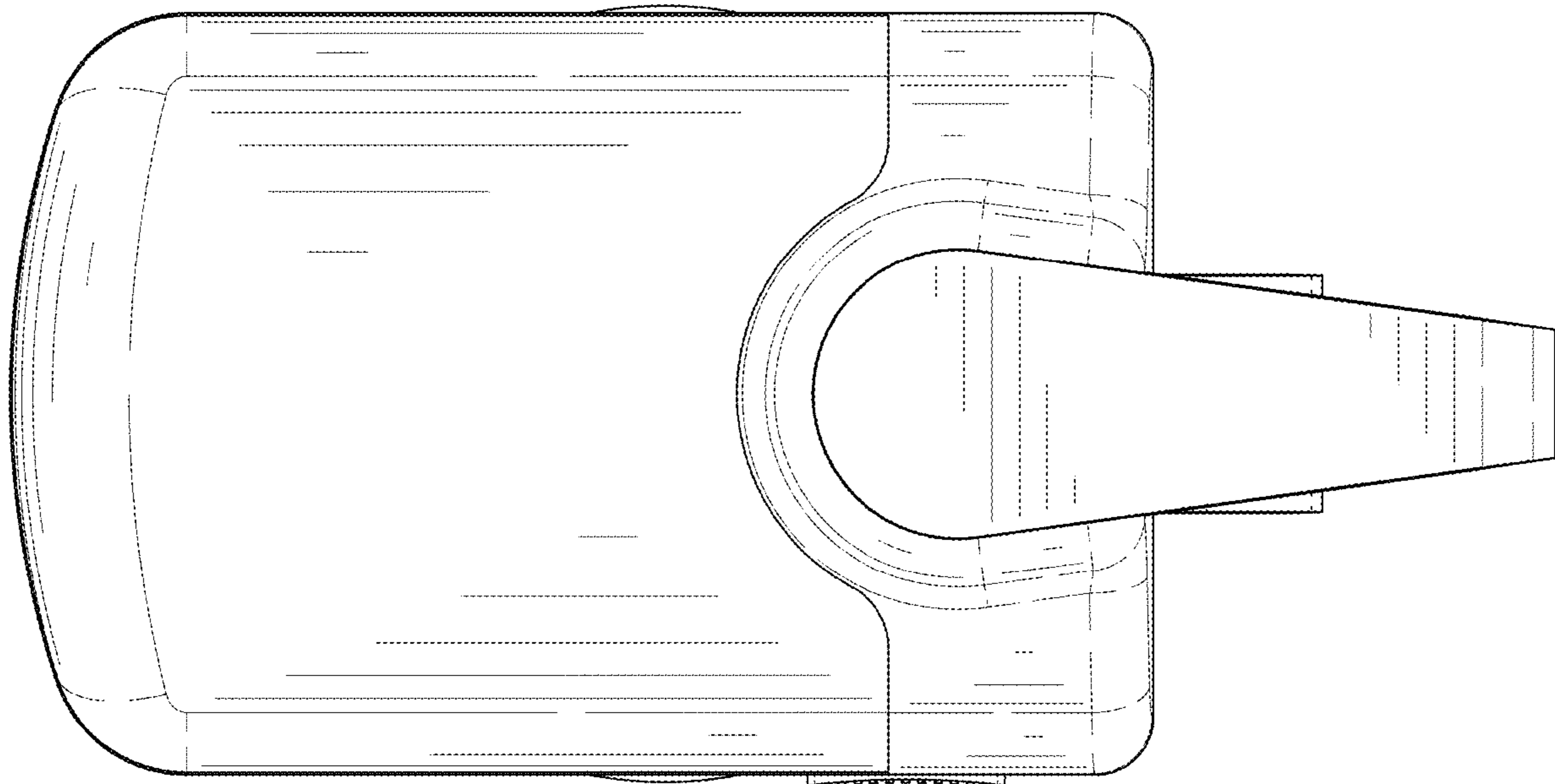


FIG. 7

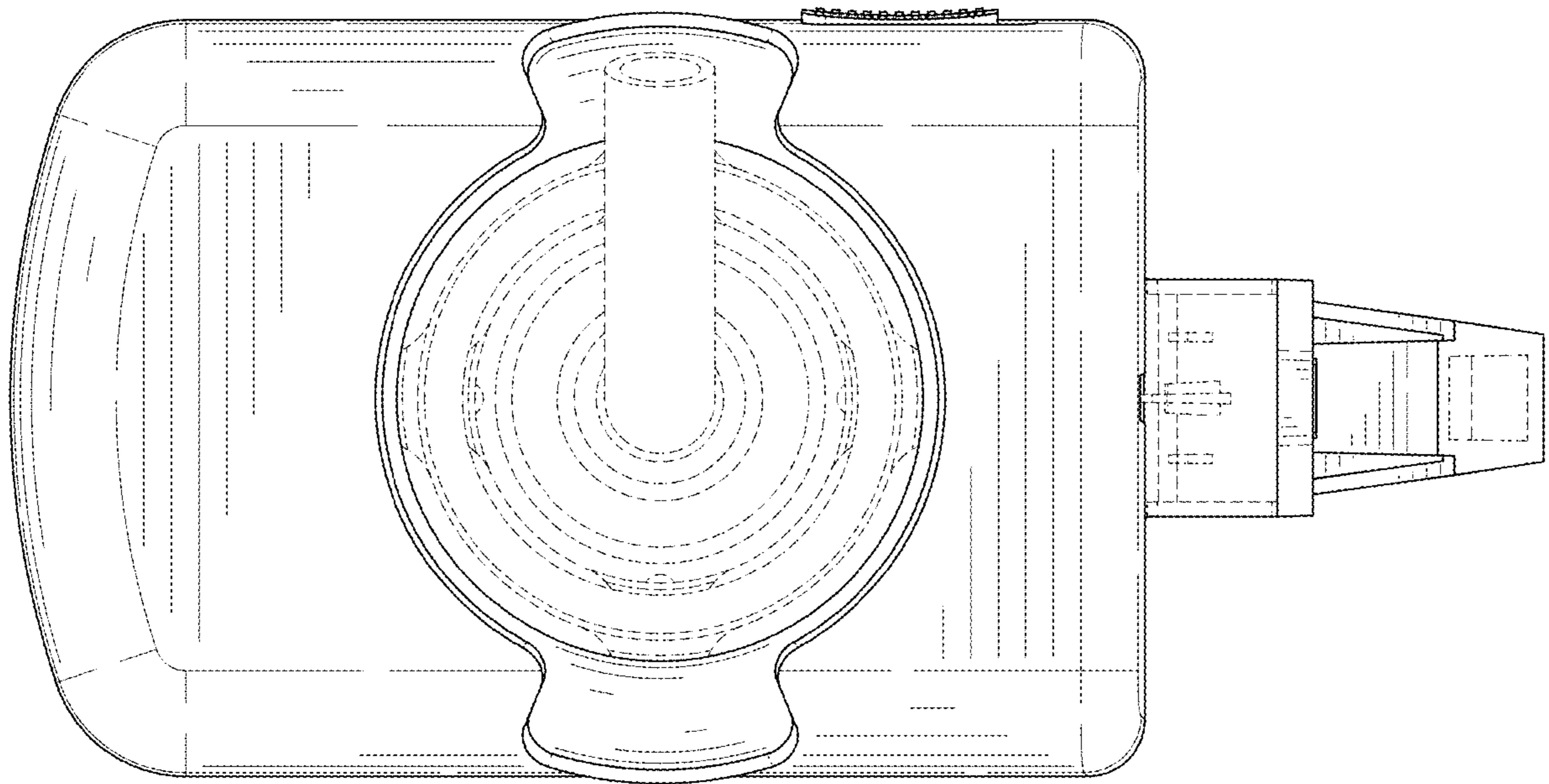


FIG. 8

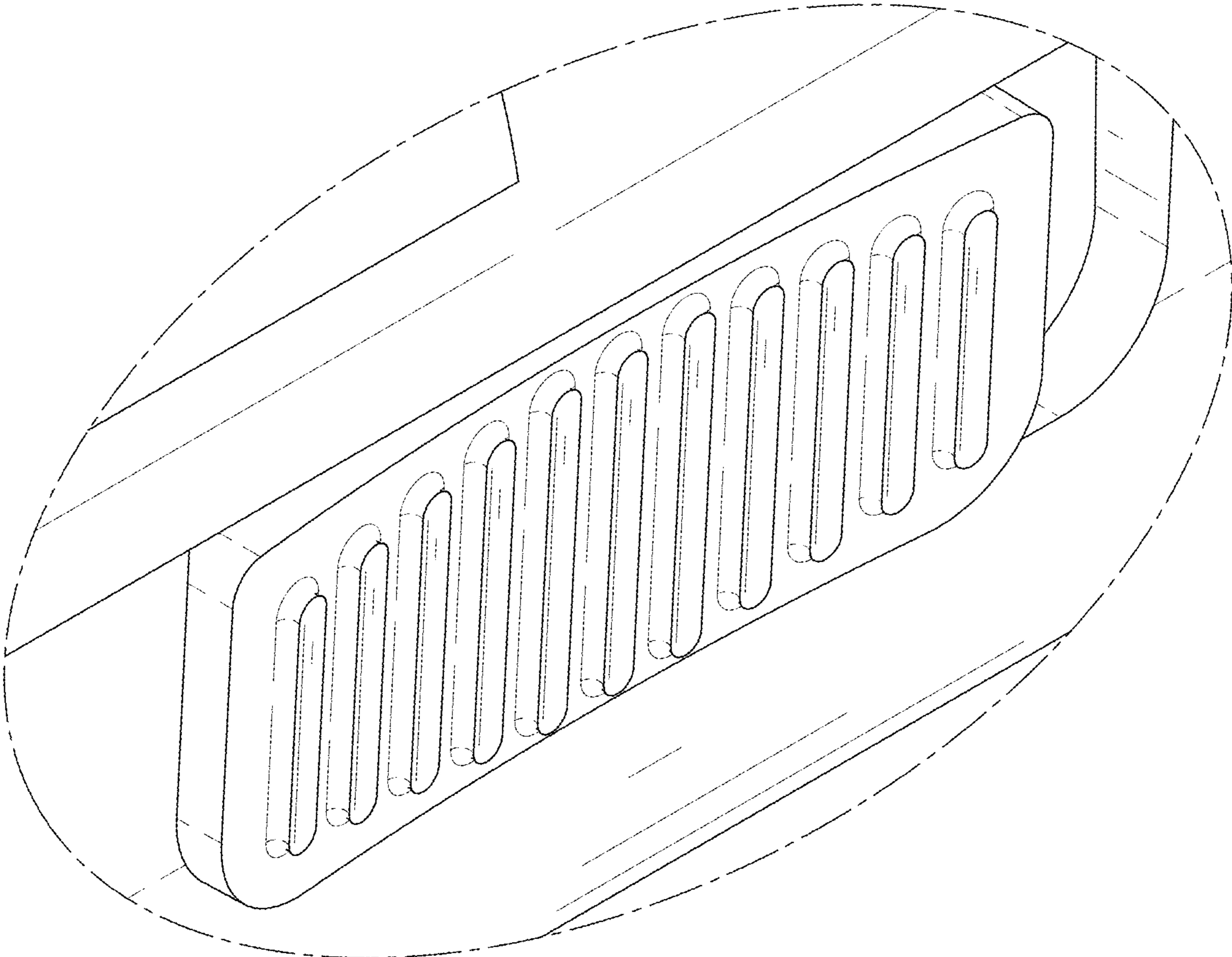


FIG. 9

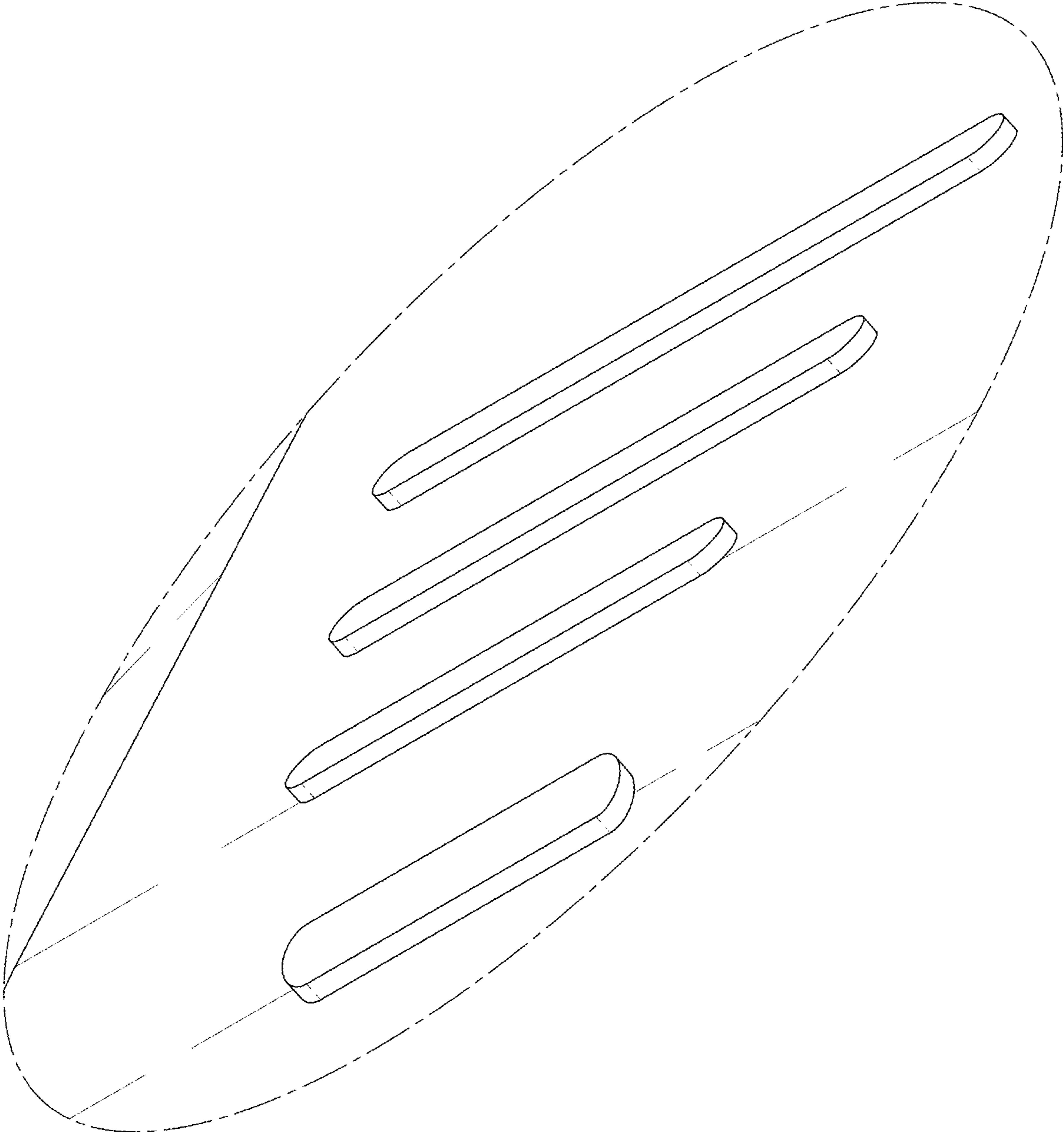


FIG. 10