



US0D1009876S

(12) **United States Design Patent**  
**Zhu**

(10) **Patent No.:** **US D1,009,876 S**  
(45) **Date of Patent:** **\*\* Jan. 2, 2024**

(54) **LAPTOP PROTECTIVE CASE**

(71) Applicant: **Peng Zhu**, Shenzhen (CN)

(72) Inventor: **Peng Zhu**, Shenzhen (CN)

(\*\*) Term: **15 Years**

(21) Appl. No.: **29/817,695**

(22) Filed: **Dec. 2, 2021**

(51) **LOC (14) Cl.** ..... **14-02**

(52) **U.S. Cl.**  
USPC ..... **D14/440**

(58) **Field of Classification Search**  
USPC ..... D14/217, 250-253, 440, 447, 455;  
D12/415; D3/218, 300  
CPC . A45C 11/00; A45C 2011/002; H04B 1/3888;  
H04M 1/04; H04M 1/06; H04M 1/6075;  
F16M 13/02  
See application file for complete search history.

(56) **References Cited**

**U.S. PATENT DOCUMENTS**

D674,399 S *	1/2013	Welch	.....	D14/455
D688,671 S *	8/2013	Avganim	.....	D14/447
D779,497 S *	2/2017	Meng	.....	D14/440
D792,412 S *	7/2017	Zhang	.....	D14/440
D933,074 S *	10/2021	Hu	.....	D14/440
D941,823 S *	1/2022	Hu	.....	D14/440
D964,997 S *	9/2022	Chan	.....	D14/440
D966,271 S *	10/2022	Du	.....	D14/440
D969,134 S *	11/2022	Chan	.....	D14/440
2020/0150727 A1 *	5/2020	Ho	.....	B29C 66/7292

**OTHER PUBLICATIONS**

Mosiso Compatible with MacBook Pro 13 inch Case, Jun. 21, 2018, retrieved Jul. 27, 2023, retrieved from the internet URL: < https://www.amazon.com/MOSISO-MacBook-KeyBoard-Protector-Compatible/dp/B07DX3G8XG/ref=sr\_1\_1\_sspa? > (Year: 2018).\*

\* cited by examiner

*Primary Examiner* — Janice Hallmark

*Assistant Examiner* — Rodolfo Castro, Jr.

(74) *Attorney, Agent, or Firm* — Georgi Korobanov

(57) **CLAIM**

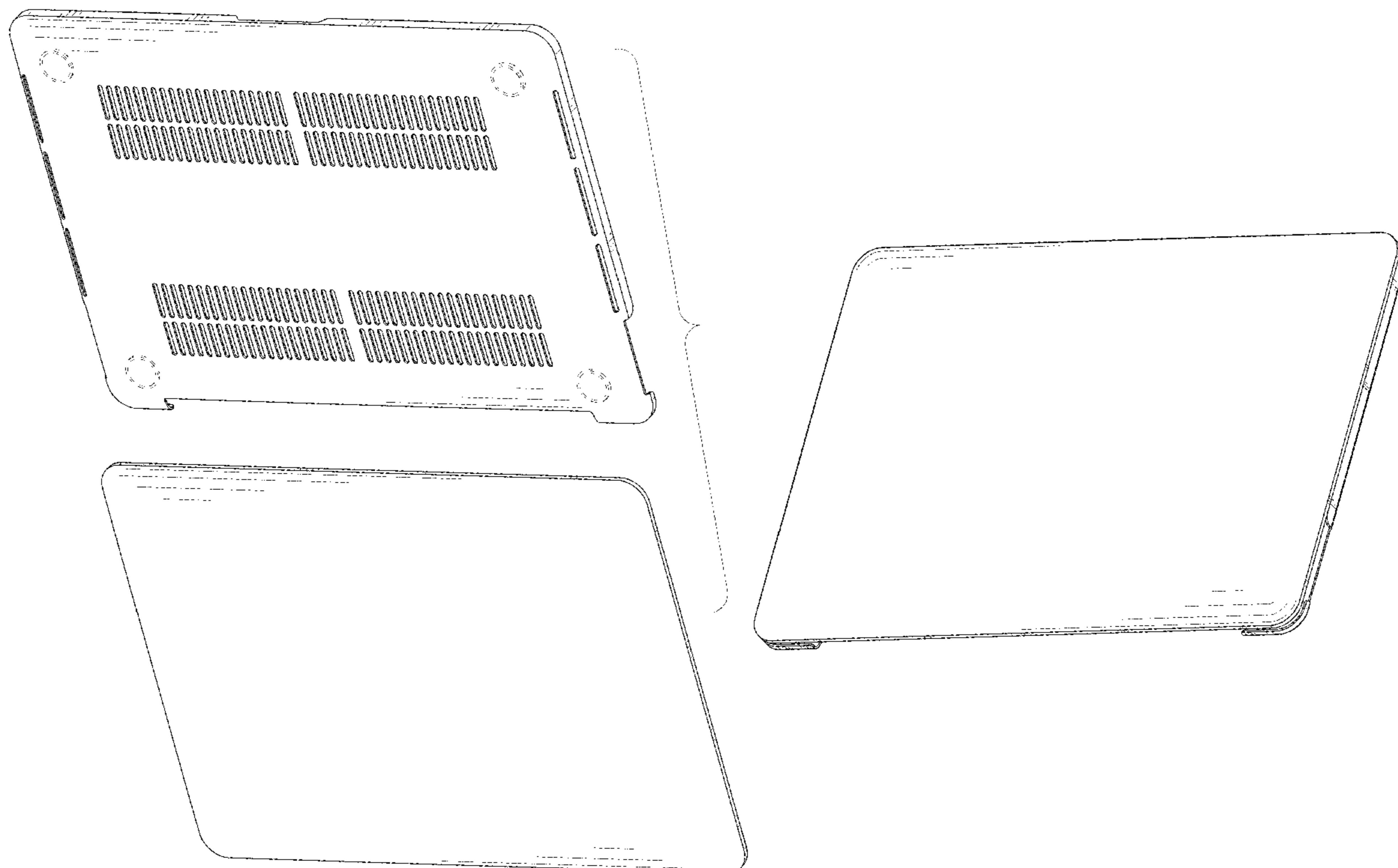
The ornamental design for a laptop protective case, as shown and described.

**DESCRIPTION**

FIG. 1 is an exploded front perspective view of a laptop protective case, showing my new design; FIG. 2 is an exploded rear perspective view thereof; FIG. 3 is an exploded front elevational view thereof; FIG. 4 is an exploded rear elevational view thereof; FIG. 5 is an exploded left side elevational view thereof; FIG. 6 is an exploded right side elevational view thereof; FIG. 7 is an exploded top plan view thereof; FIG. 8 is an exploded bottom plan view thereof; and, FIG. 9 is a perspective view of the laptop protective case of FIG. 9.

The broken lines in the drawings depict portions of the laptop protective case that form no part of the claimed design.

**1 Claim, 9 Drawing Sheets**



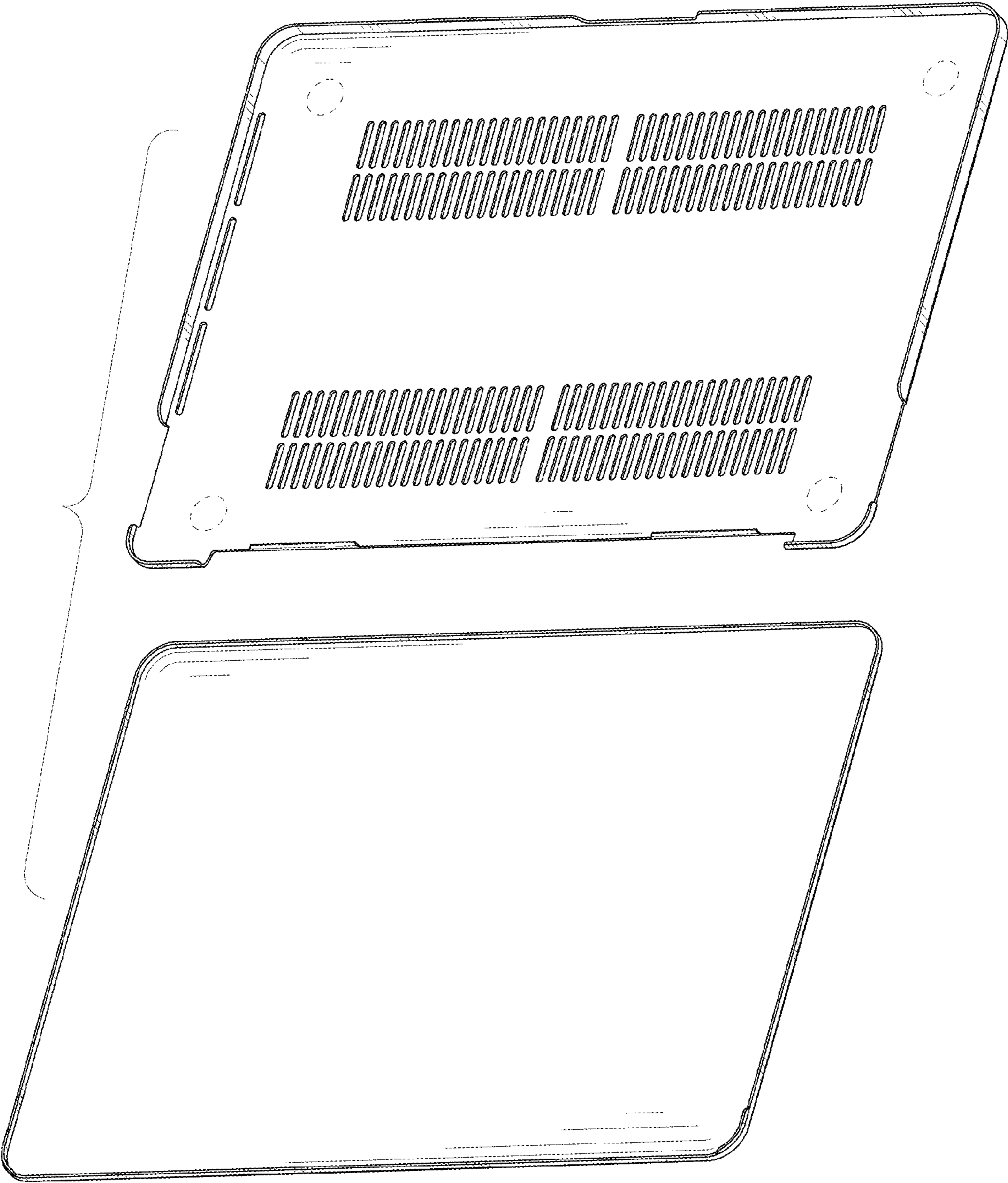


FIG. 1

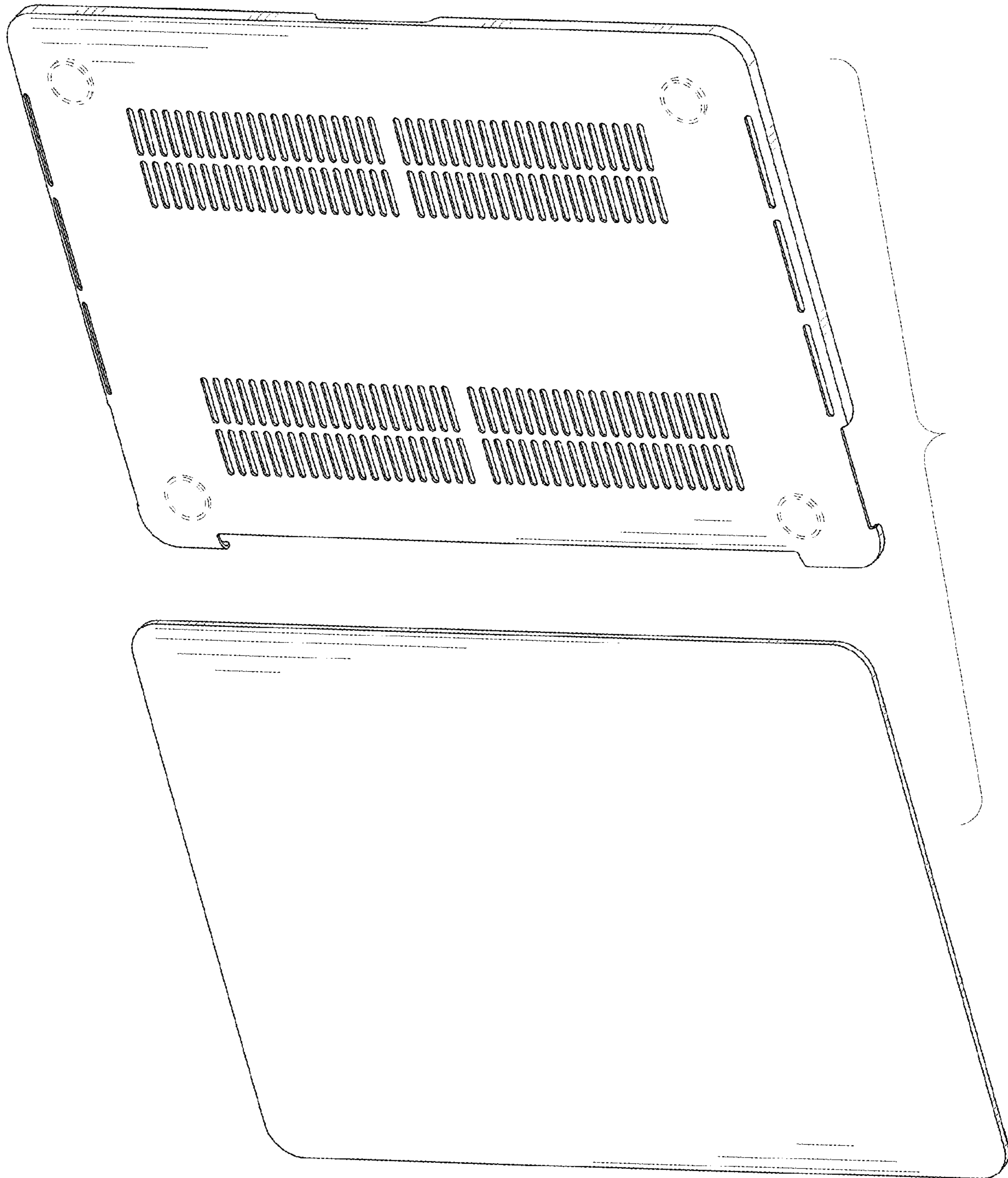


FIG. 2





FIG. 3

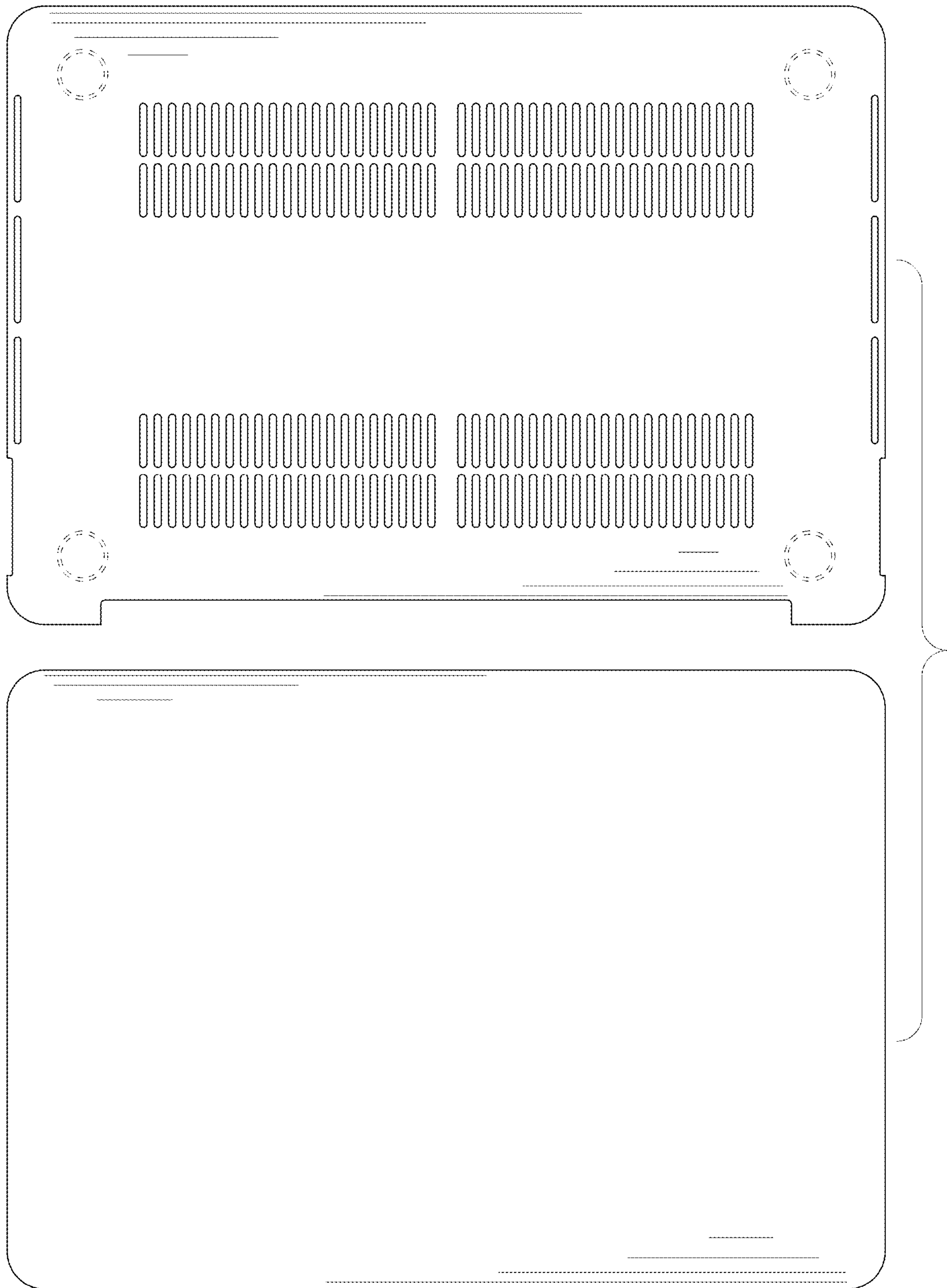


FIG. 4

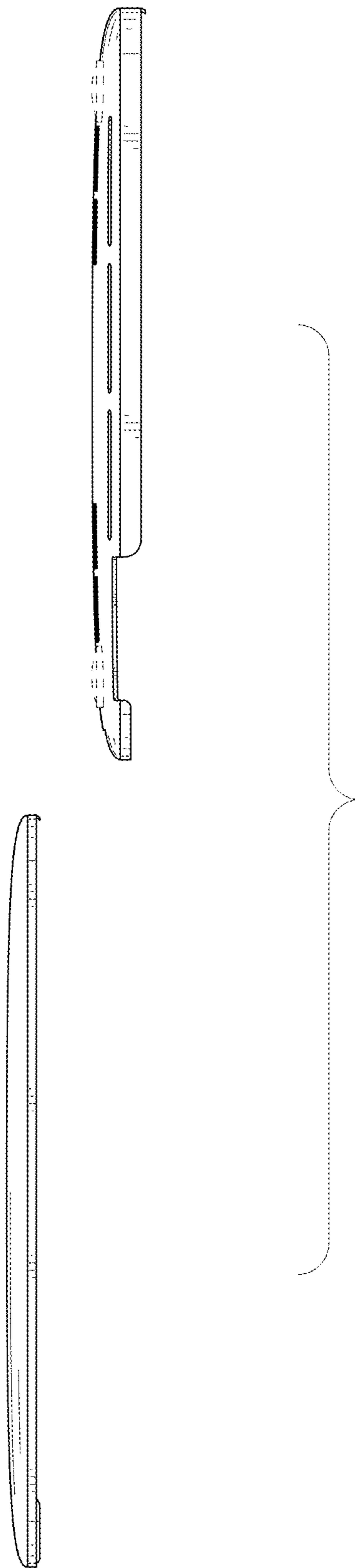


FIG. 5

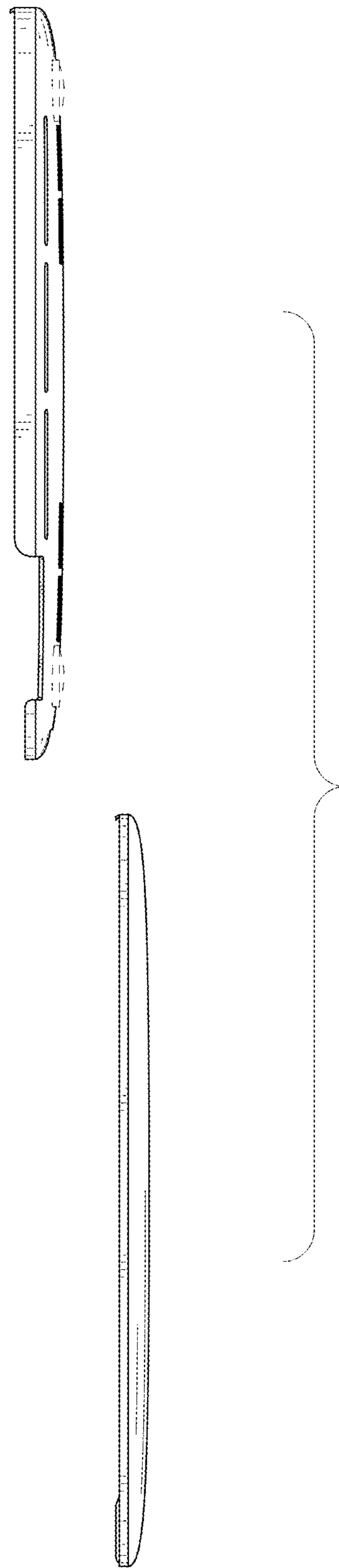


FIG. 6

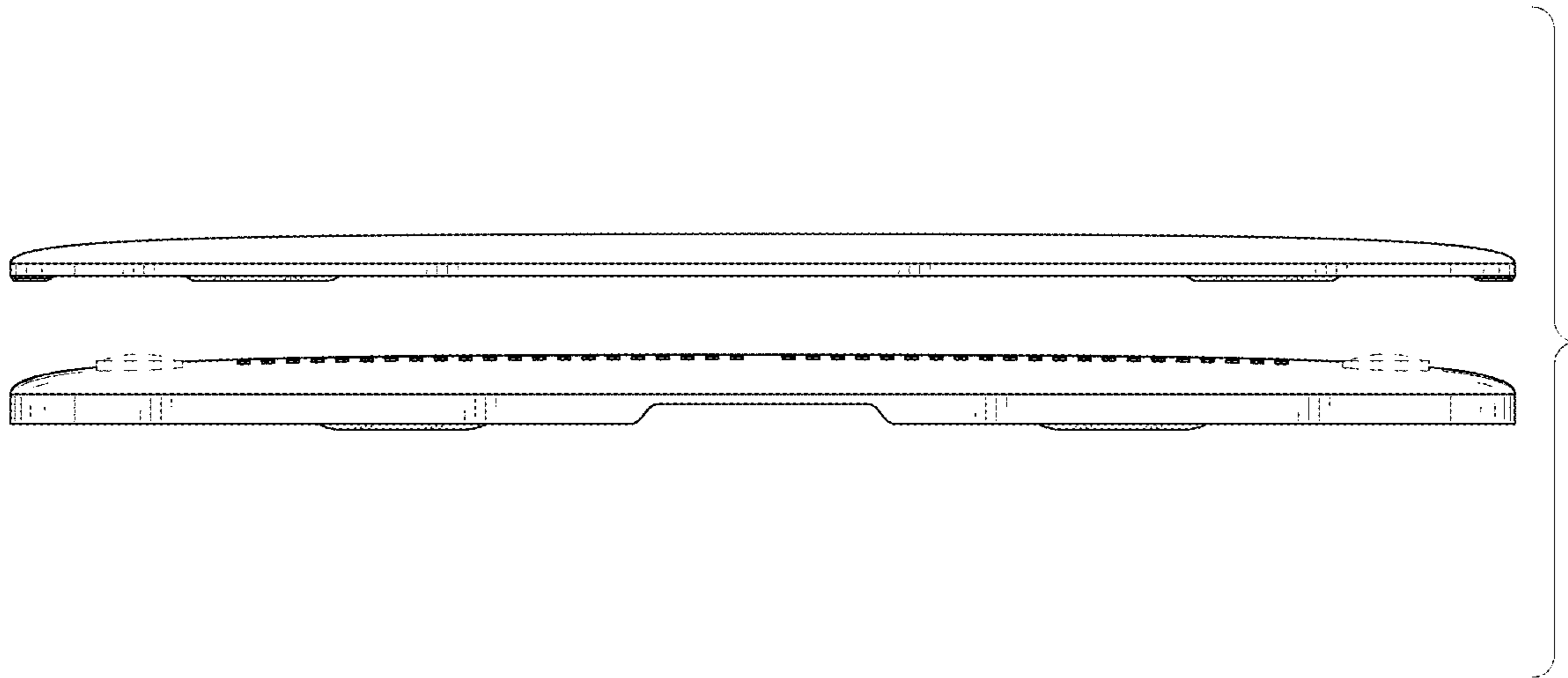


FIG. 7



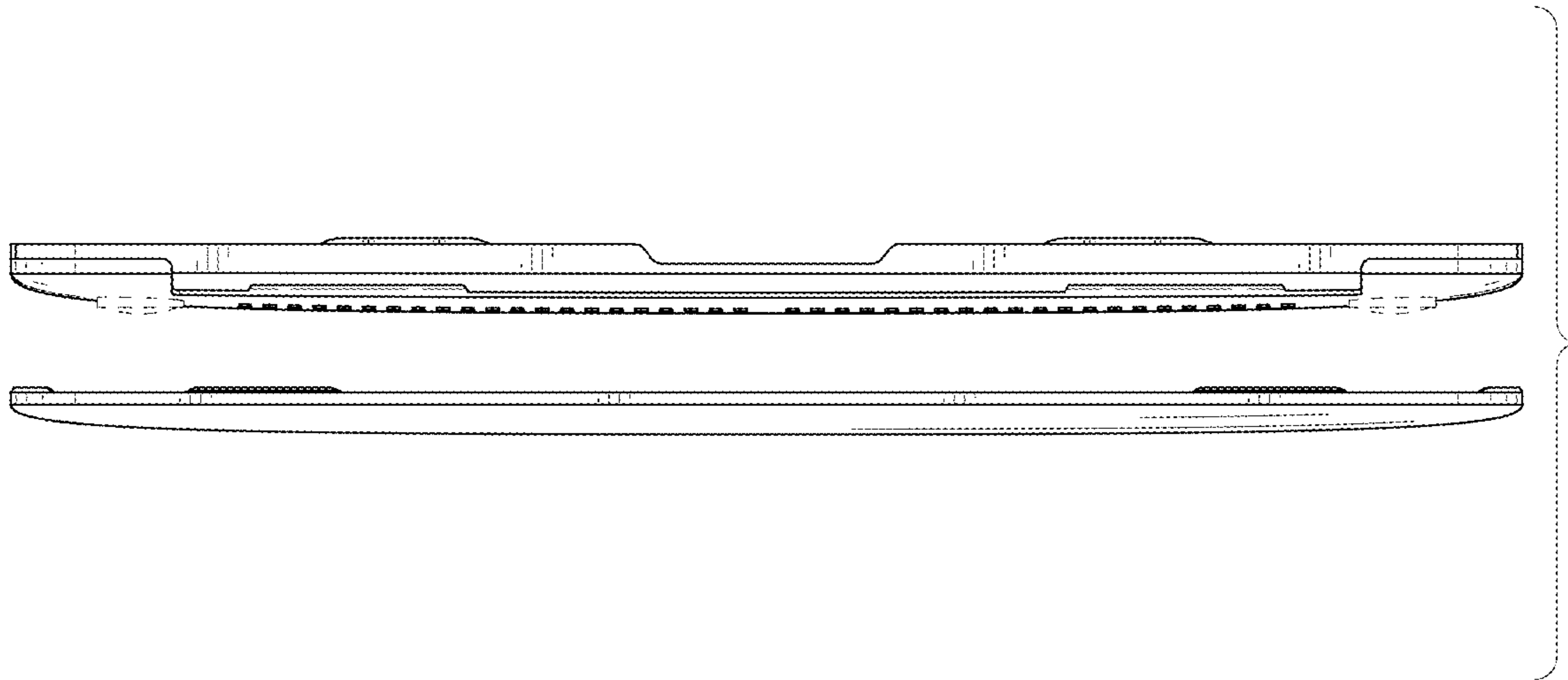


FIG. 8

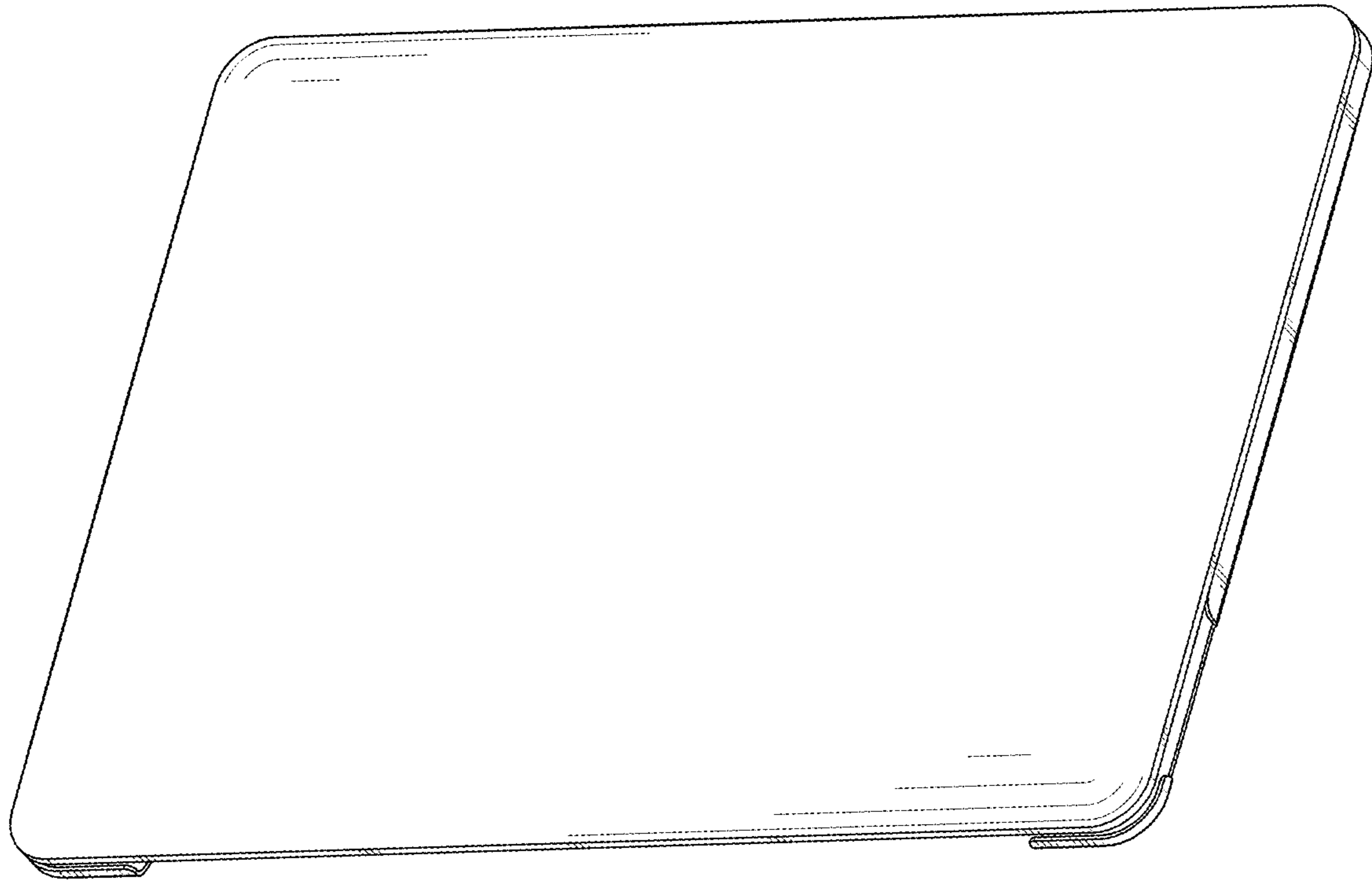


FIG. 9