



US0D1009770S

(12) **United States Design Patent** (10) **Patent No.:** **US D1,009,770 S**
Chen (45) **Date of Patent:** **** Jan. 2, 2024**

- (54) **SLIT ARMREST**
- (71) Applicant: **Xiaojian Chen**, Guangdong (CN)
- (72) Inventor: **Xiaojian Chen**, Guangdong (CN)
- (**) Term: **15 Years**
- (21) Appl. No.: **29/806,634**
- (22) Filed: **Sep. 3, 2021**
- (30) **Foreign Application Priority Data**
 - Aug. 27, 2021 (CN) 202130562350.8
- (51) **LOC (14) Cl.** **12-16**
- (52) **U.S. Cl.**
 - USPC **D12/421**
- (58) **Field of Classification Search**
 - USPC D6/334, 336, 366, 367, 379, 380, 406,
D6/406.1, 406.2; D7/619.1, 625, 368,
D7/601; D12/415, 416, 419, 421, 345
 - CPC B60K 37/00; B60K 37/02; B60K 37/04;
B60R 7/00; B60R 7/04; B60R 7/08;
B60R 7/06; A47C 1/0305

See application file for complete search history.

- (56) **References Cited**
 - U.S. PATENT DOCUMENTS**
 - D376,345 S * 12/1996 Hough D12/421
 - D381,807 S * 8/1997 Pickle D3/273
 - D415,995 S * 11/1999 Kanehl, Jr. D12/419
 - D499,690 S * 12/2004 Roth D12/421
 - D625,934 S * 10/2010 Smith D6/406.2
 - D637,460 S * 5/2011 Tussy D7/624.2

- D742,301 S * 11/2015 Kasparian D12/421
- D773,376 S * 12/2016 Kasparian D12/345
- D874,386 S * 2/2020 Smith D12/421
- D898,394 S * 10/2020 Kolberg D6/366
- D920,220 S * 5/2021 Tolman D12/415
- D922,305 S * 6/2021 Yuhasz D12/419
- D951,169 S * 5/2022 Yu D12/421
- 2021/0315382 A1* 10/2021 Hsieh A47C 1/0305

* cited by examiner

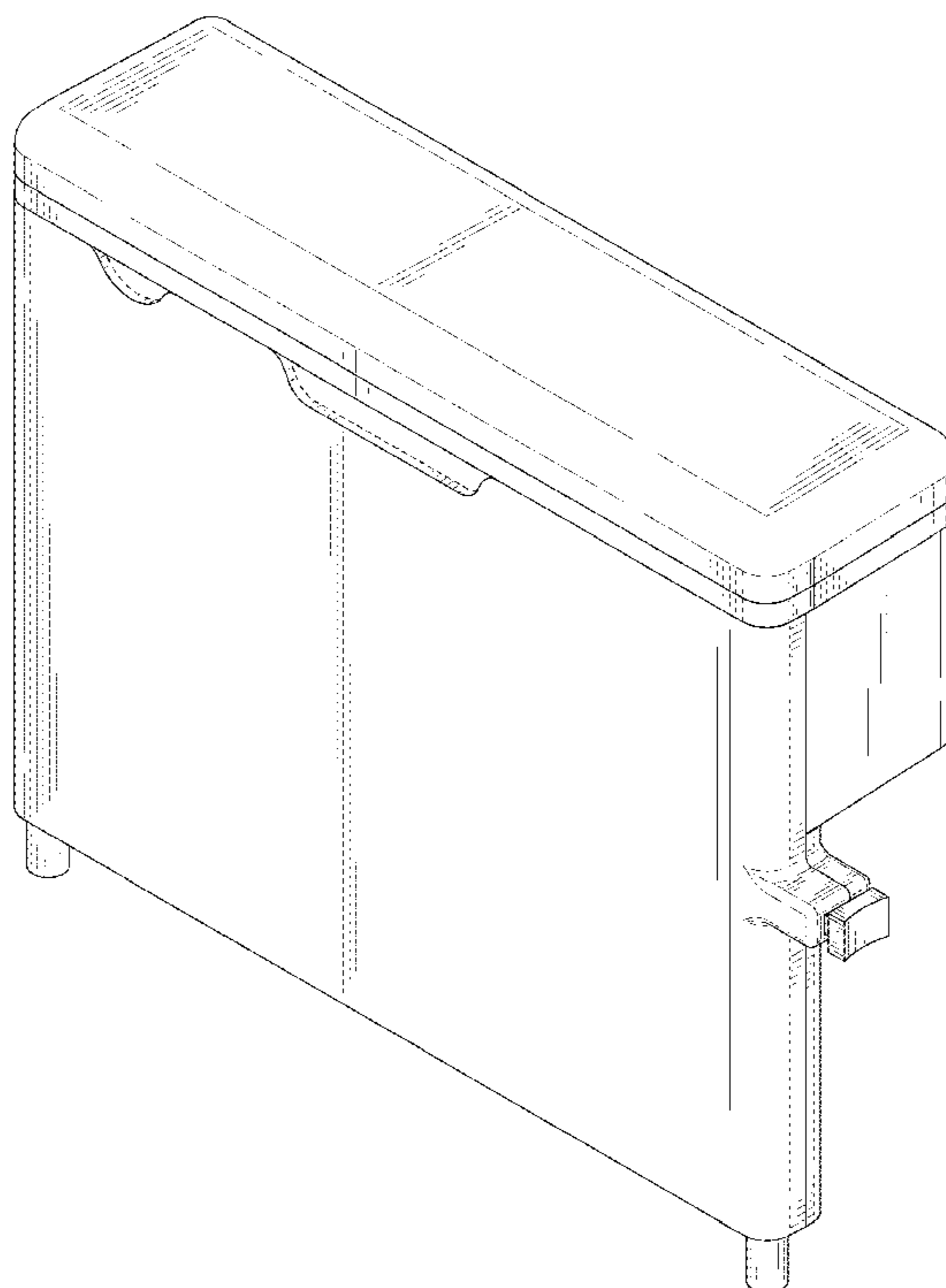
Primary Examiner — Karen E Kearney
Assistant Examiner — Jerry Shiuian-Hua Hsu
(74) *Attorney, Agent, or Firm* — ScienBiziP, P.C.

(57) **CLAIM**
The ornamental design for a slit armrest, as shown and described.

DESCRIPTION

FIG. 1 is a front, right, and top perspective view of a slit armrest, showing my design.
FIG. 2 is a rear, left, and bottom perspective view thereof.
FIG. 3 is a front elevation view thereof.
FIG. 4 is a rear elevation view thereof.
FIG. 5 is a left side elevation view thereof.
FIG. 6 is a right side elevation view thereof.
FIG. 7 is a top plan view thereof.
FIG. 8 is a bottom plan view thereof; and,
FIG. 9 is another front, right, and top perspective view of the slit armrest of FIG. 1, wherein a handrail part is elevated from a base.
The broken lines shown in the drawings are included for the purpose of illustrating portions of the slit armrest that form no part of the claimed design.

1 Claim, 9 Drawing Sheets



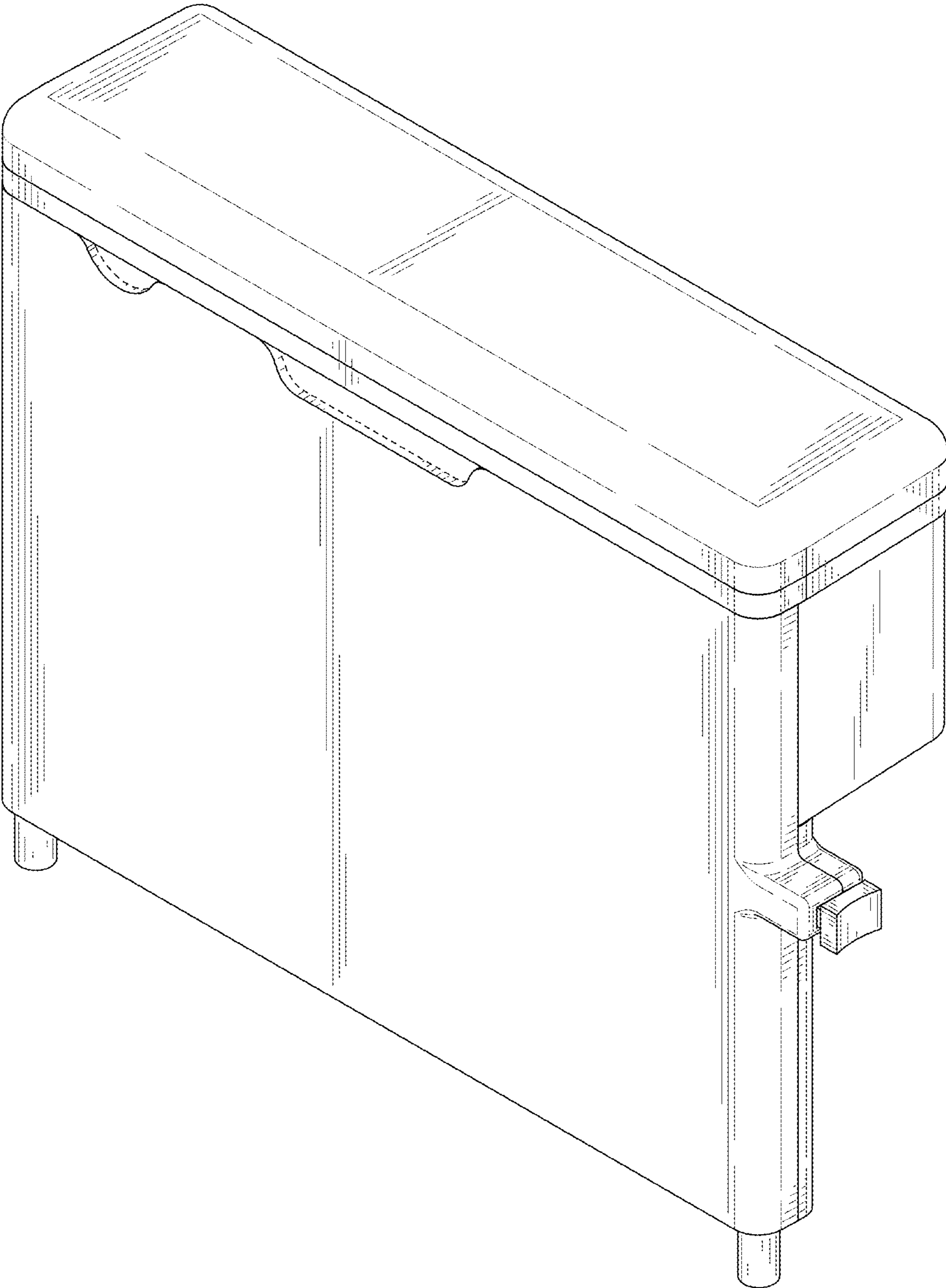


FIG. 1

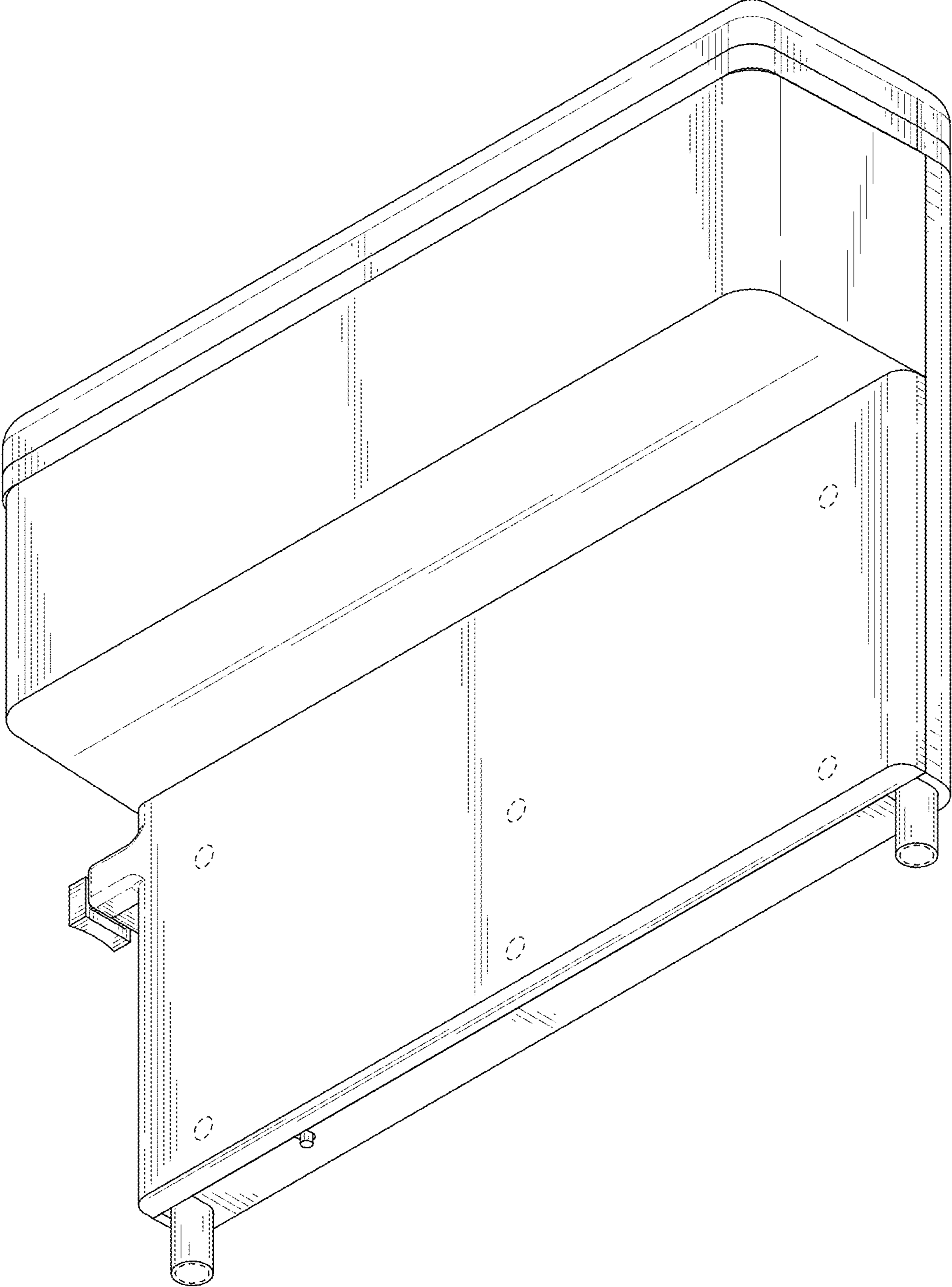


FIG. 2

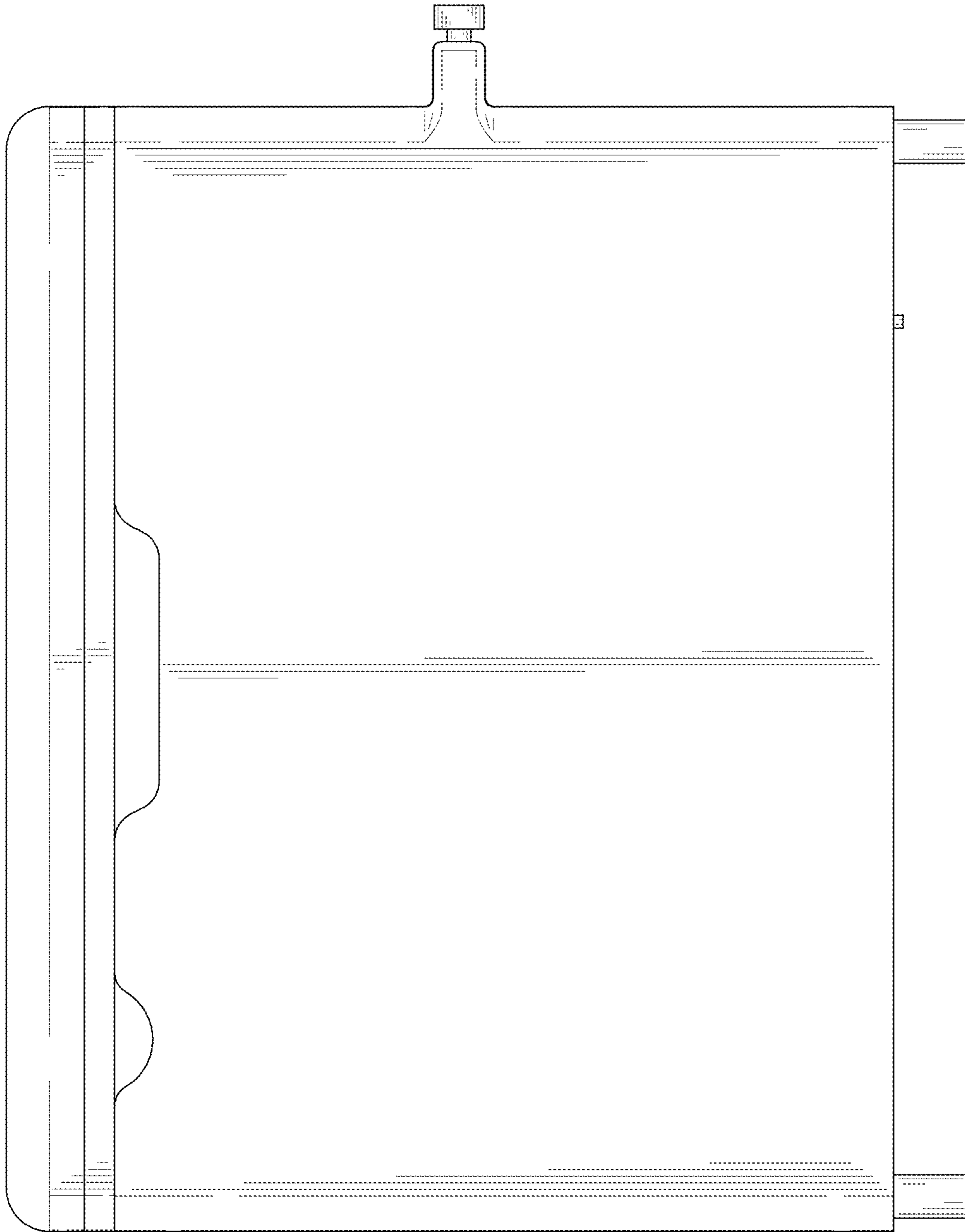


FIG. 3

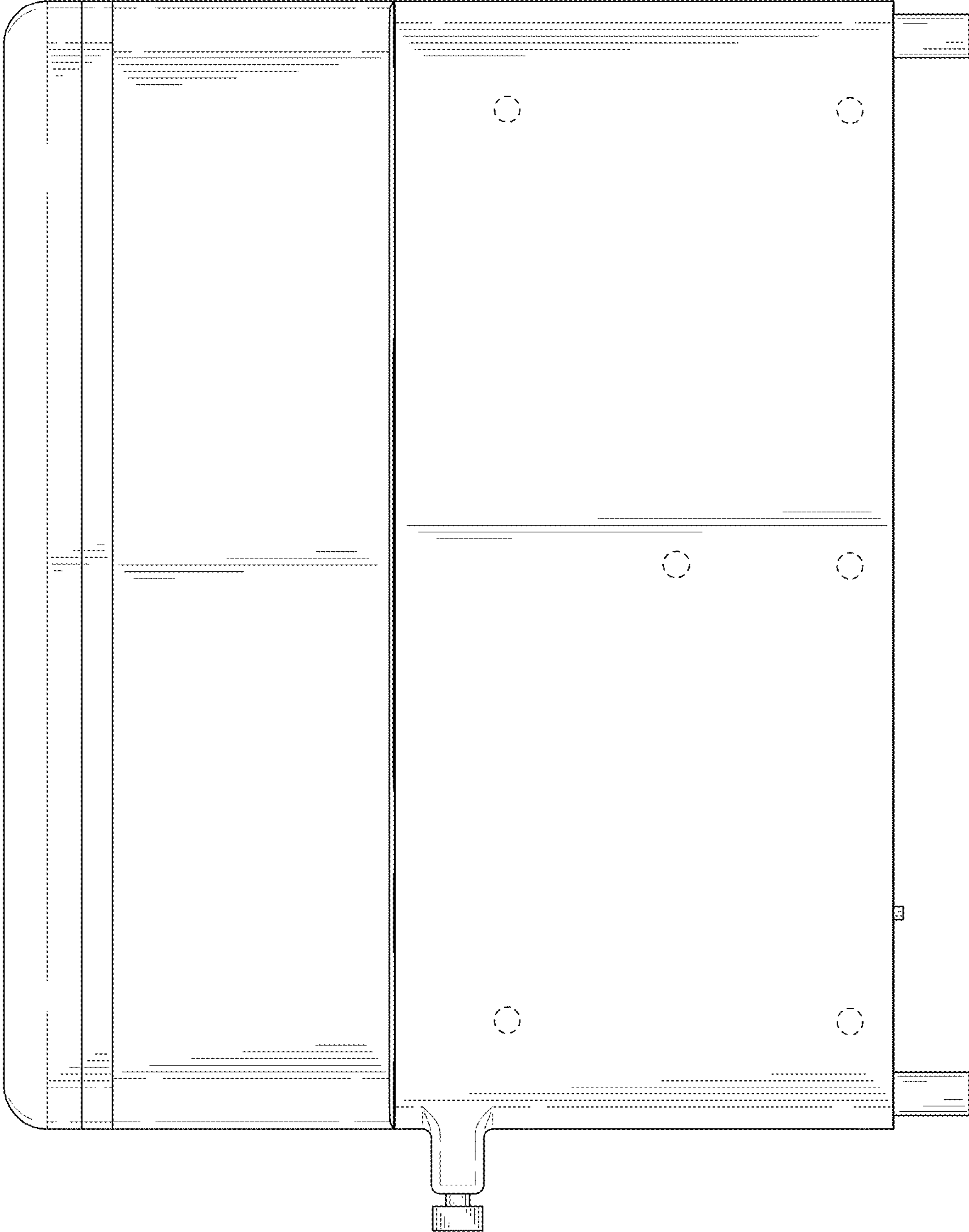


FIG. 4

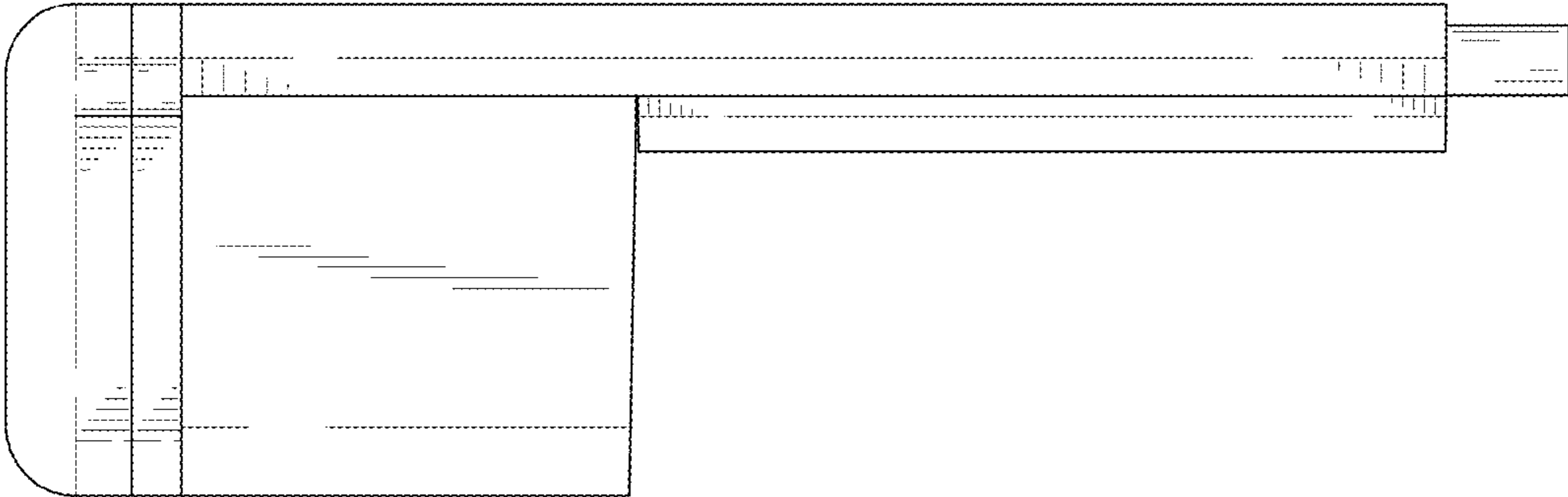


FIG. 5

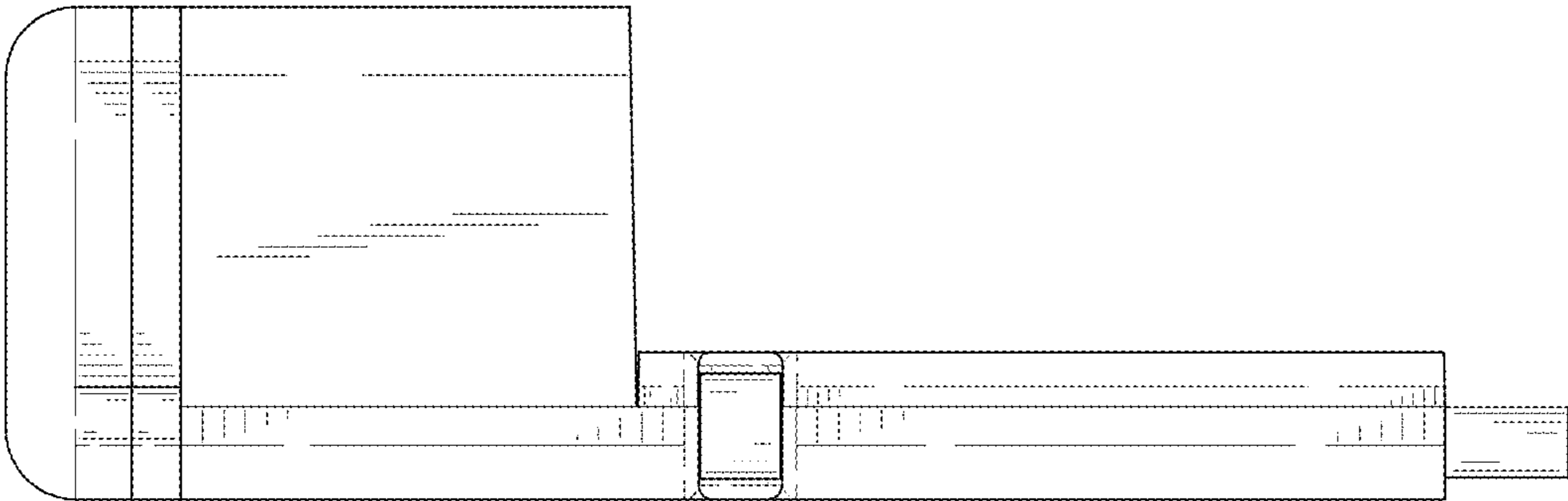


FIG. 6

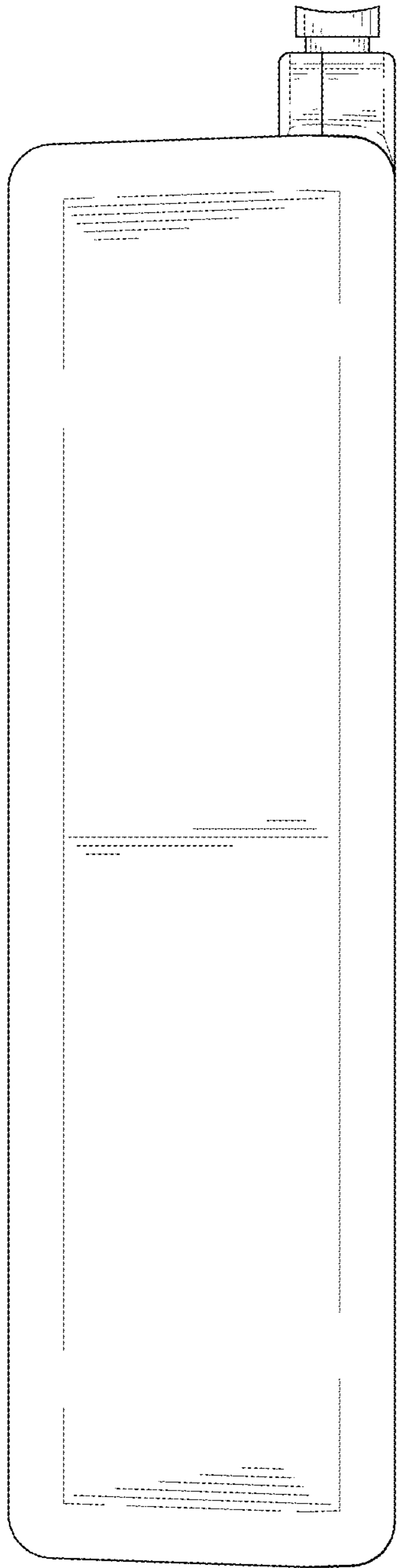


FIG. 7

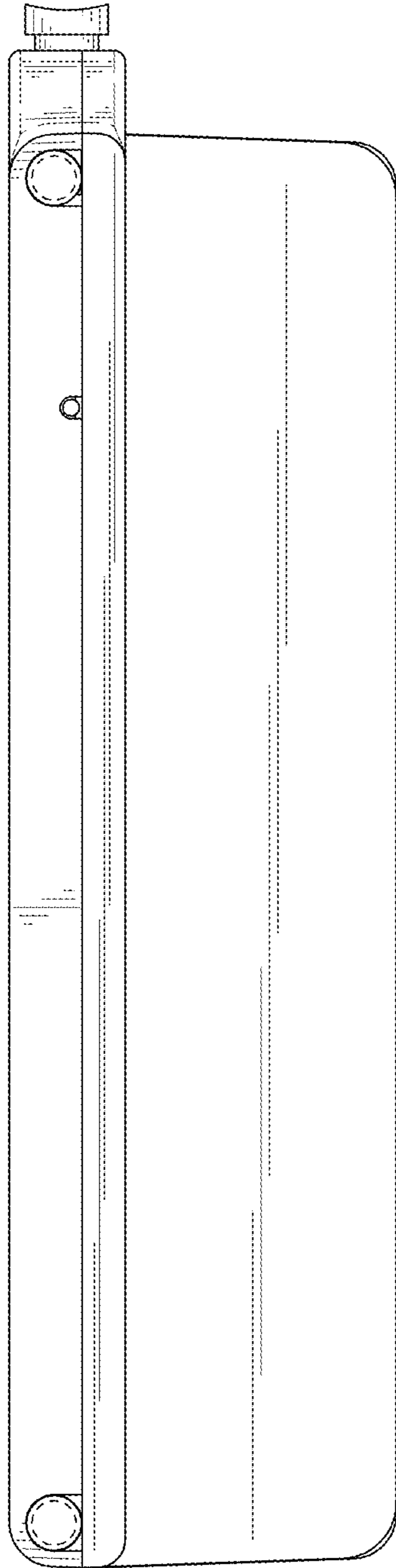


FIG. 8

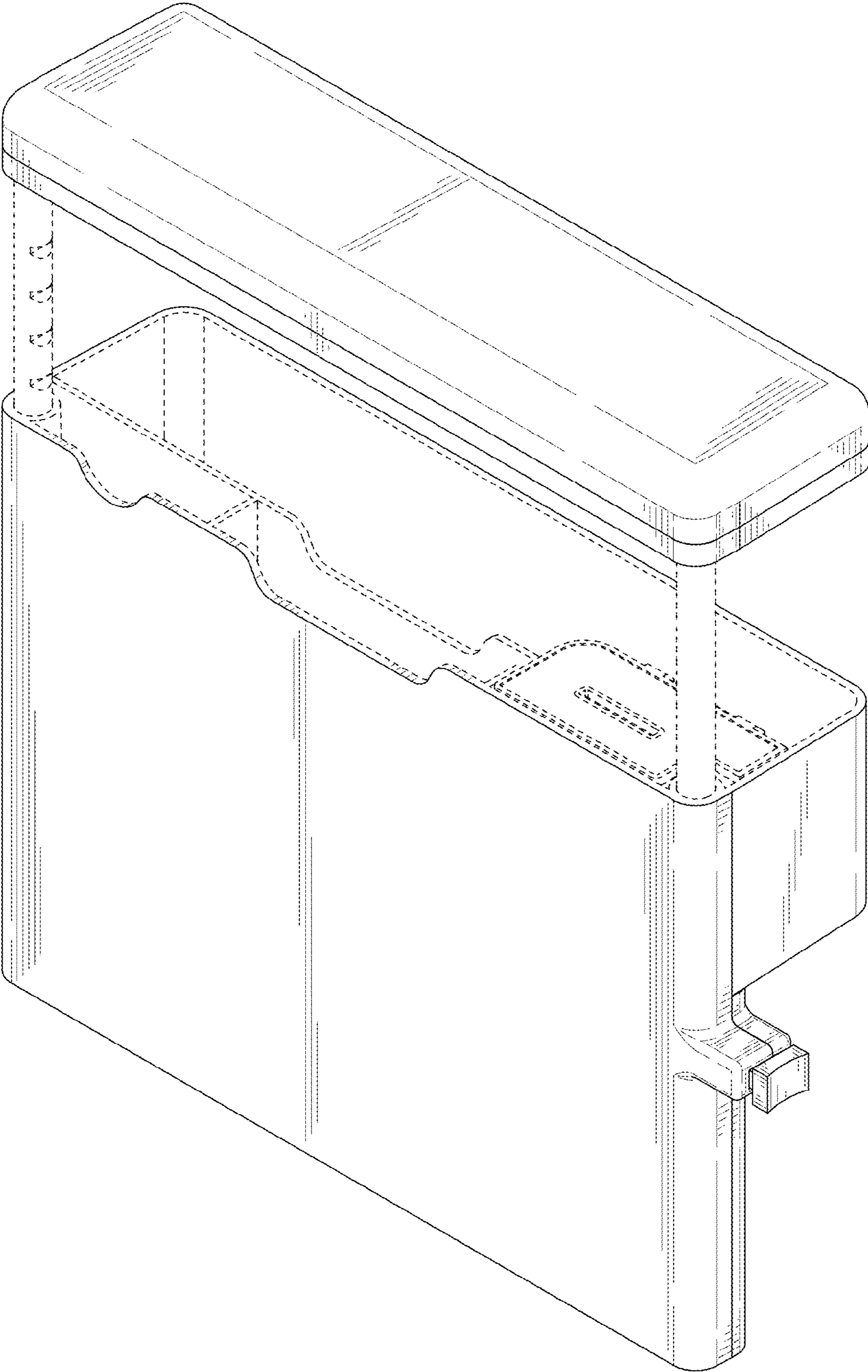


FIG. 9