



US0D1009760S

(12) **United States Design Patent**
Cunningham

(10) **Patent No.:** **US D1,009,760 S**

(45) **Date of Patent:** **** Jan. 2, 2024**

(54) **VEHICLE RACK**

(71) Applicant: **THI CANADA, INC.**, Oakville (CA)

(72) Inventor: **Michael Cunningham**, Milton (CA)

(73) Assignee: **Extang Corporation**, Ann Arbor, MI (US)

(**) Term: **15 Years**

(21) Appl. No.: **29/804,500**

(22) Filed: **Aug. 20, 2021**

(51) **LOC (14) Cl.** **12-16**

(52) **U.S. Cl.**
USPC **D12/222**

(58) **Field of Classification Search**
USPC ... D12/412, 406, 413, 414, 414.1, 222, 400, D12/223
CPC . B60R 21/02; B60R 21/13; B60P 3/10; B60P 3/40; B60P 3/1066
See application file for complete search history.

(56) **References Cited**

U.S. PATENT DOCUMENTS

6,983,968 B2	1/2006	Brauer et al.	
D528,968 S *	9/2006	Storer	D12/222
8,668,124 B2	3/2014	Kennedy et al.	
D763,170 S *	8/2016	Marankie	D12/414
9,713,978 B2	7/2017	Petru	
10,046,691 B2	8/2018	Petru	
D840,905 S	2/2019	Parzyck et al.	
D857,605 S	8/2019	Mosingo et al.	
10,414,369 B2	9/2019	Parzyck et al.	
D861,575 S *	10/2019	Tang	D12/406
D866,447 S *	11/2019	Ash	D12/412

D881,785 S *	4/2020	Ajam	D12/222
D883,176 S *	5/2020	Ajam	D12/222
D892,024 S *	8/2020	Li	D12/222
D920,883 S *	6/2021	Yung	D12/222
D933,576 S *	10/2021	Ajam	D12/222
D944,176 S *	2/2022	Yung	D12/222
D947,747 S *	4/2022	Yung	D12/222
D965,500 S *	10/2022	Tang	D12/412
D965,501 S *	10/2022	Tang	D12/412
2003/0011180 A1	1/2003	Coffman et al.	

* cited by examiner

Primary Examiner — Susan E Krakower

Assistant Examiner — Jerry Shiuian-Hua Hsu

(74) *Attorney, Agent, or Firm* — The Dobrusin Law Firm, P.C.

(57) **CLAIM**

The ornamental design for a vehicle rack, as shown and described.

DESCRIPTION

FIG. 1 is a top, front, right side perspective view of the present design.

FIG. 2 is a top, back, right side perspective view thereof.

FIG. 3 is a front elevational view thereof.

FIG. 4 is a top plan view thereof.

FIG. 5 is a right side elevational view thereof.

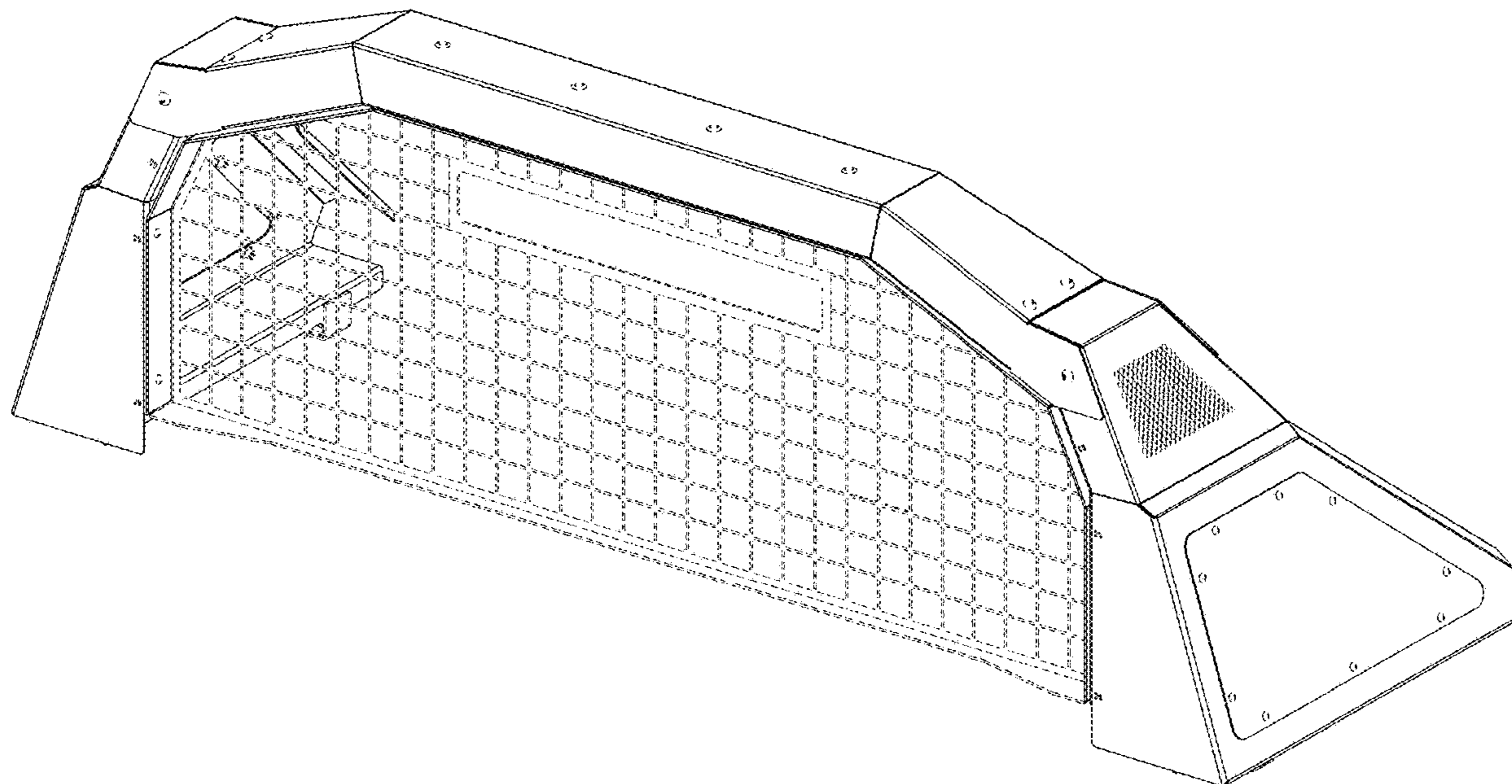
FIG. 6 is a left side elevational view thereof.

FIG. 7 is a back elevational view thereof; and,

FIG. 8 is a bottom plan view thereof.

The broken lines are used to show unclaimed portions of the vehicle rack and form no part of the claimed design.

1 Claim, 7 Drawing Sheets



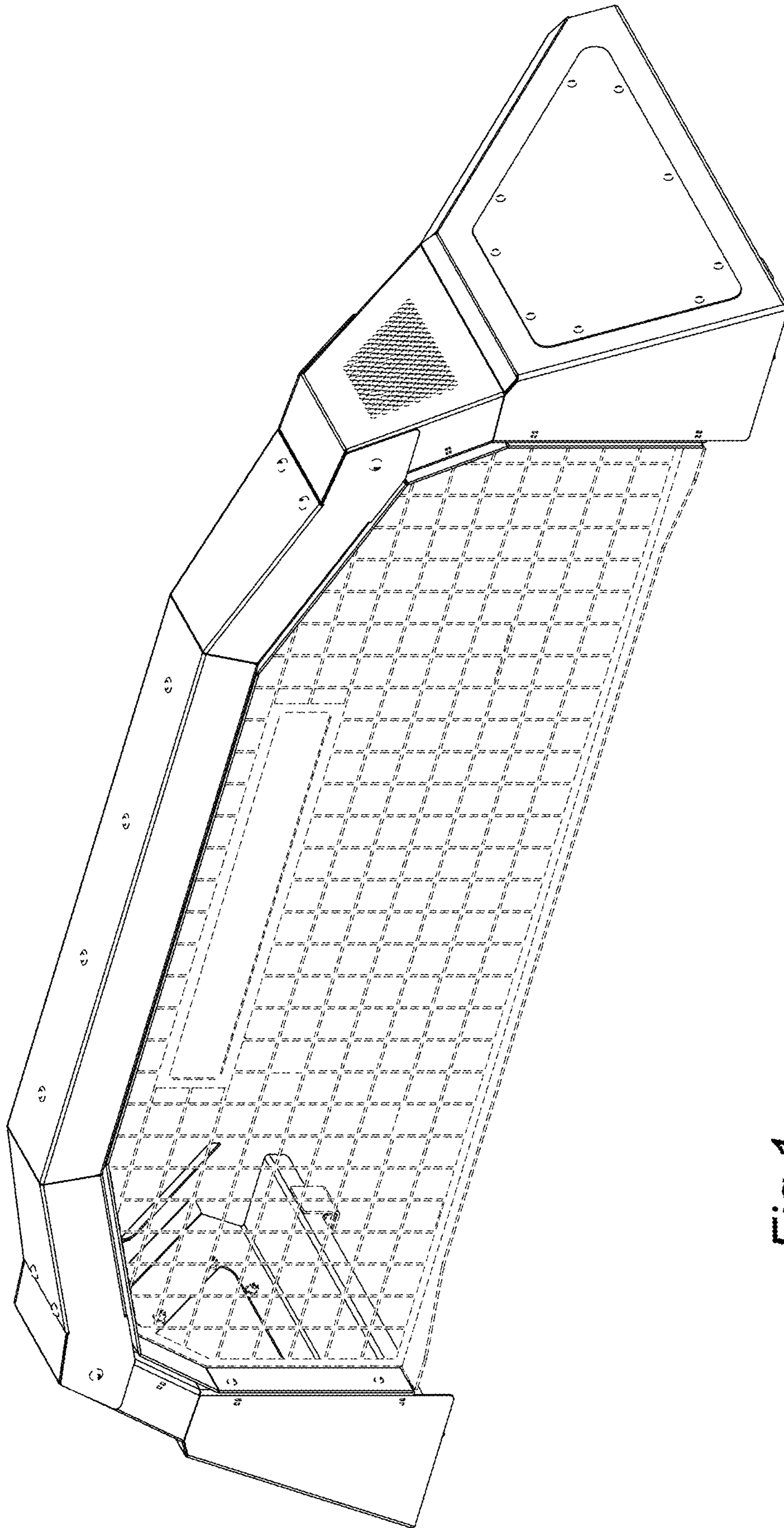


Fig. 1

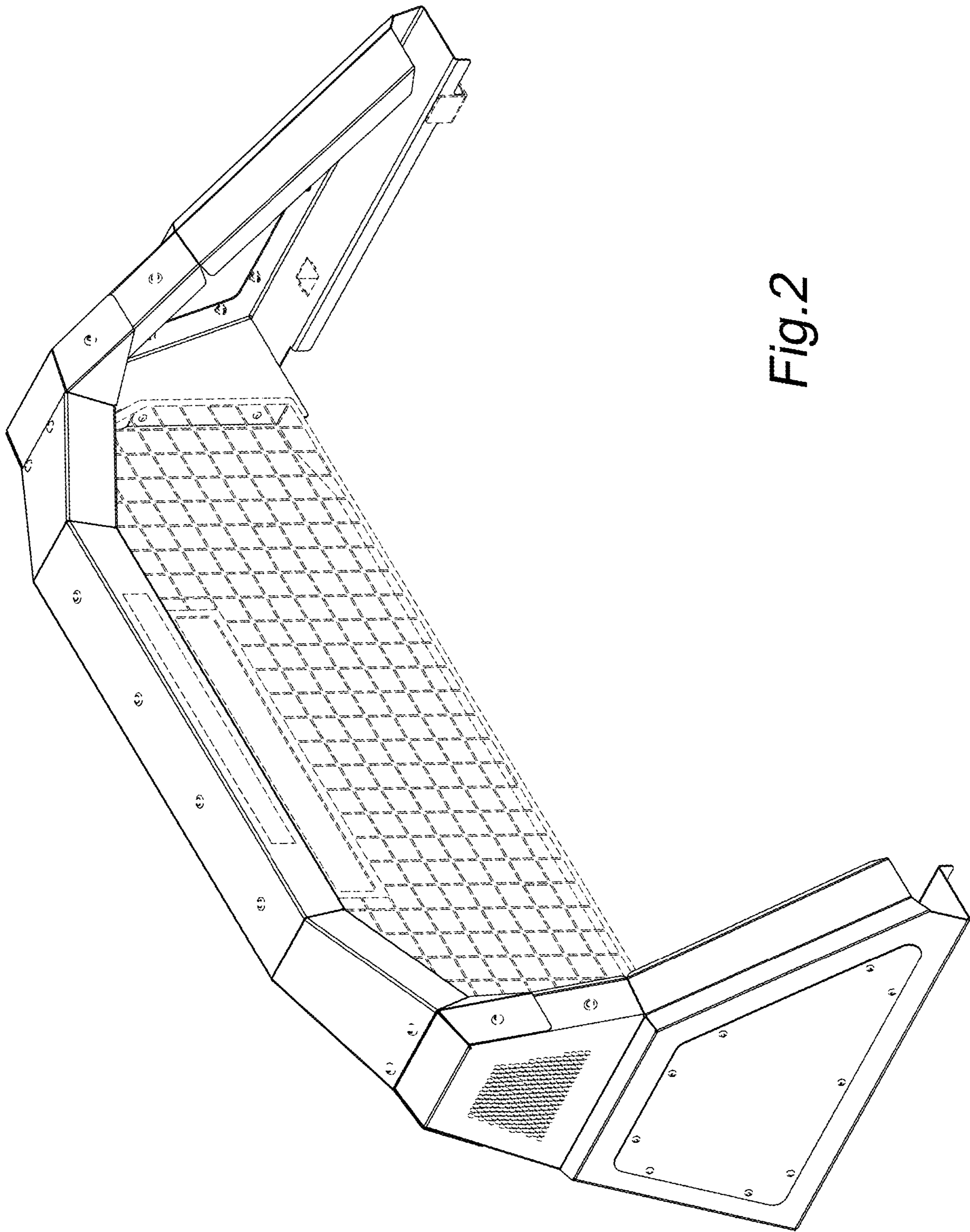


Fig. 2

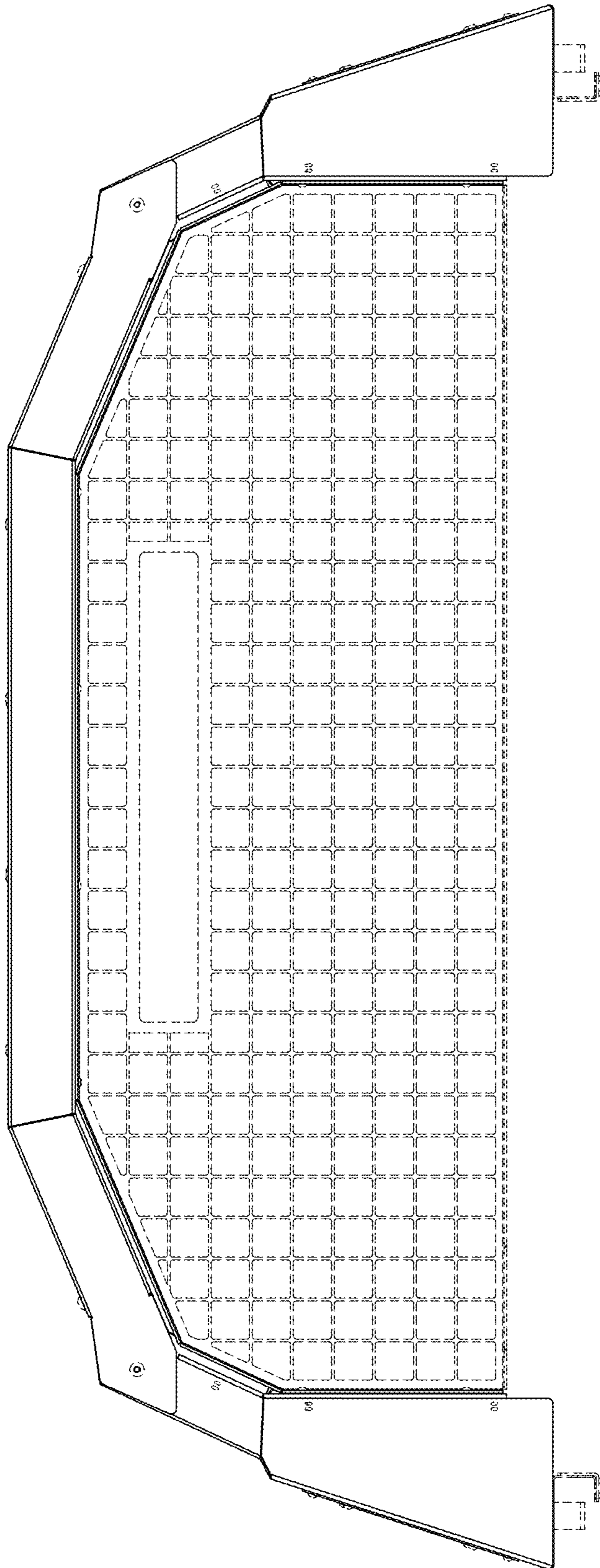


Fig. 3

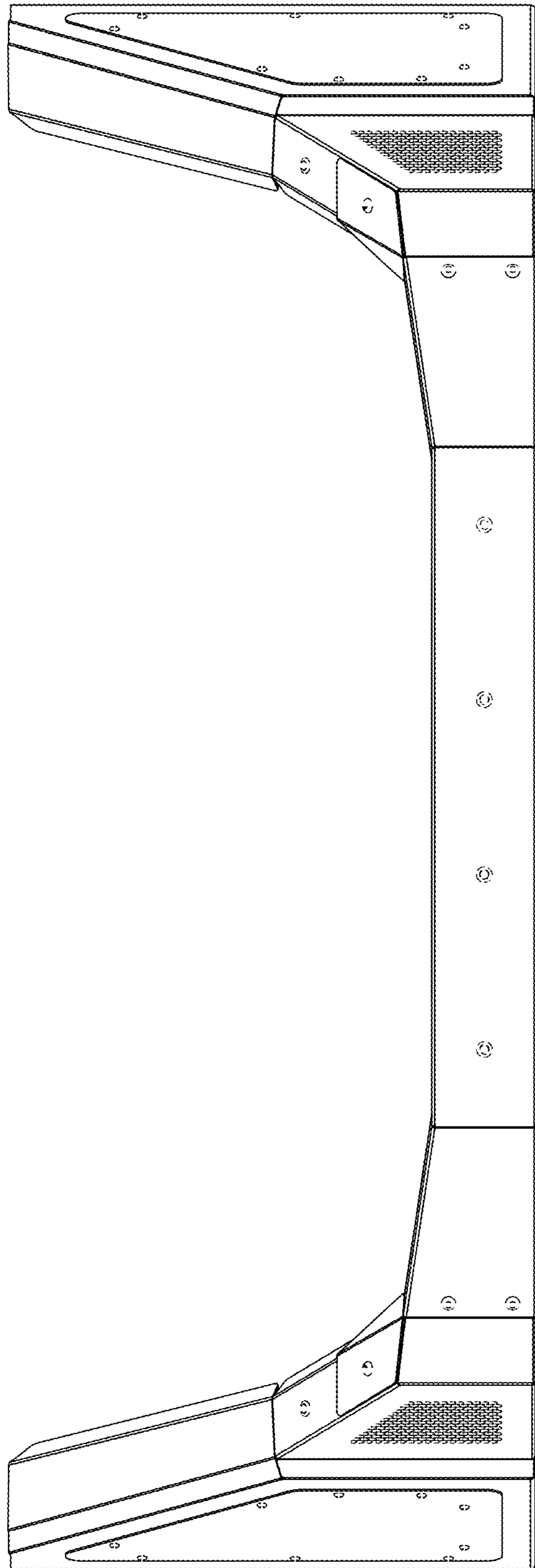


Fig.4

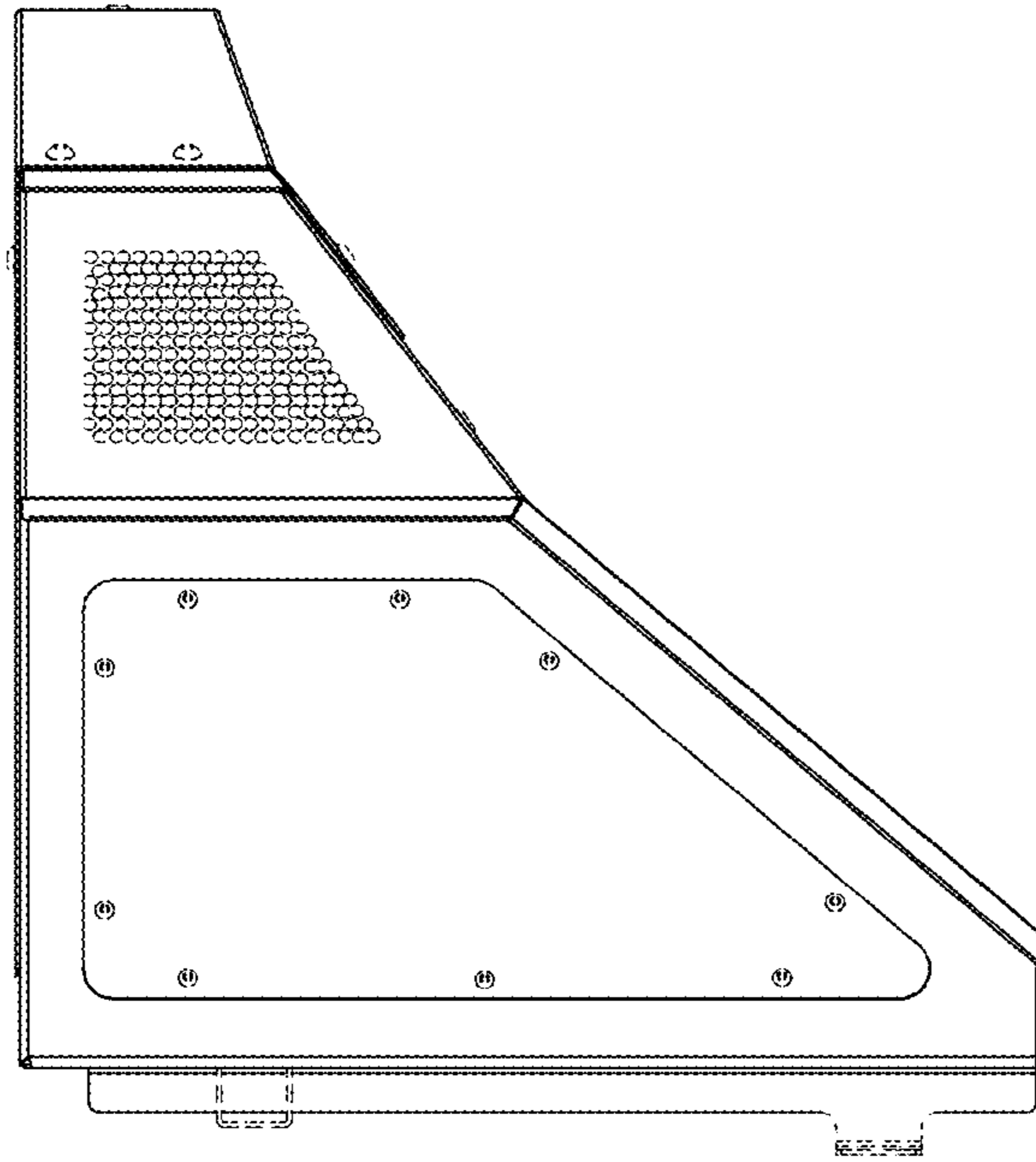


Fig.5

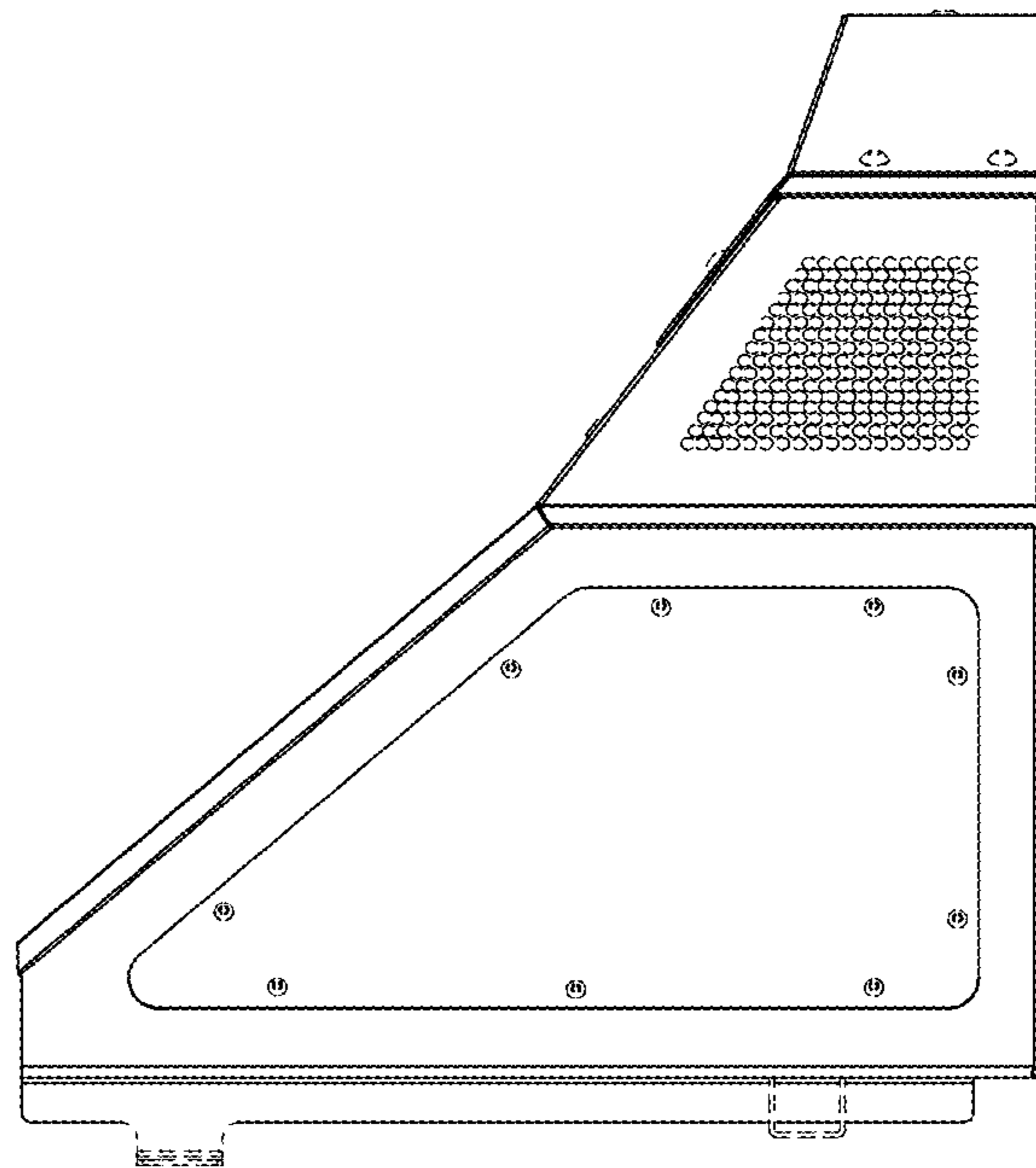


Fig.6

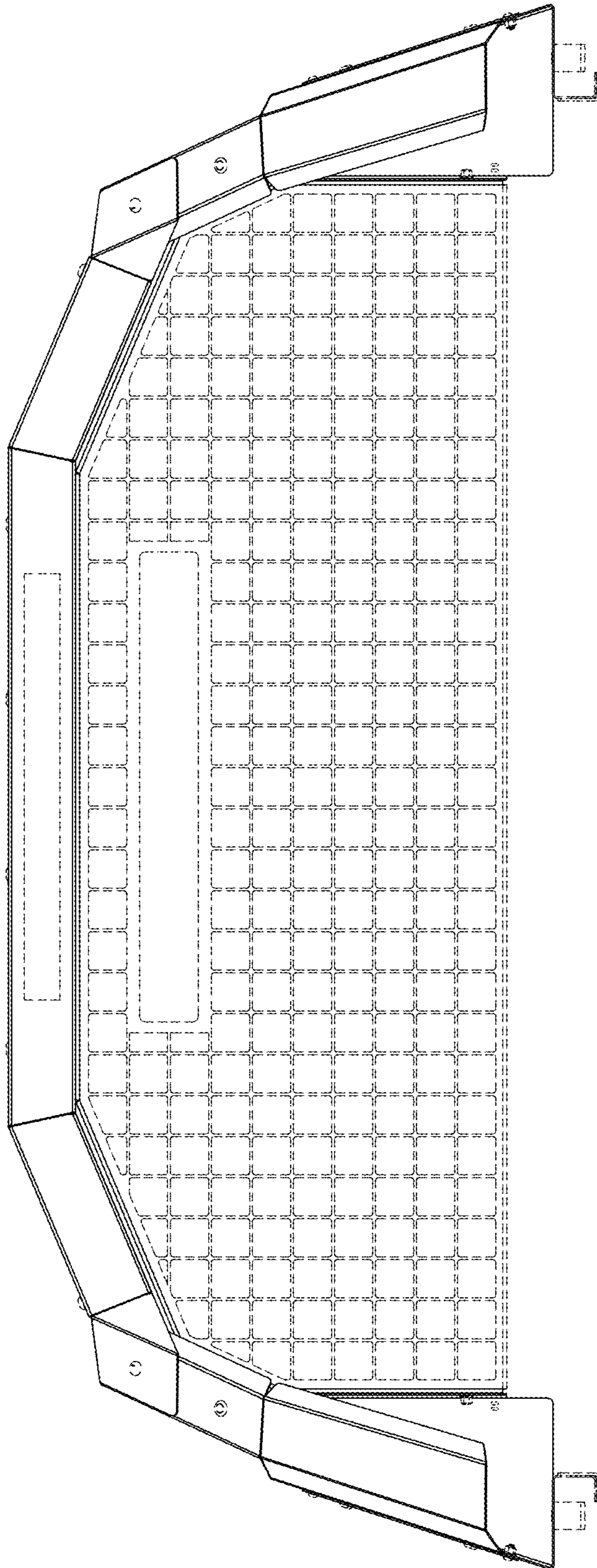


Fig. 7

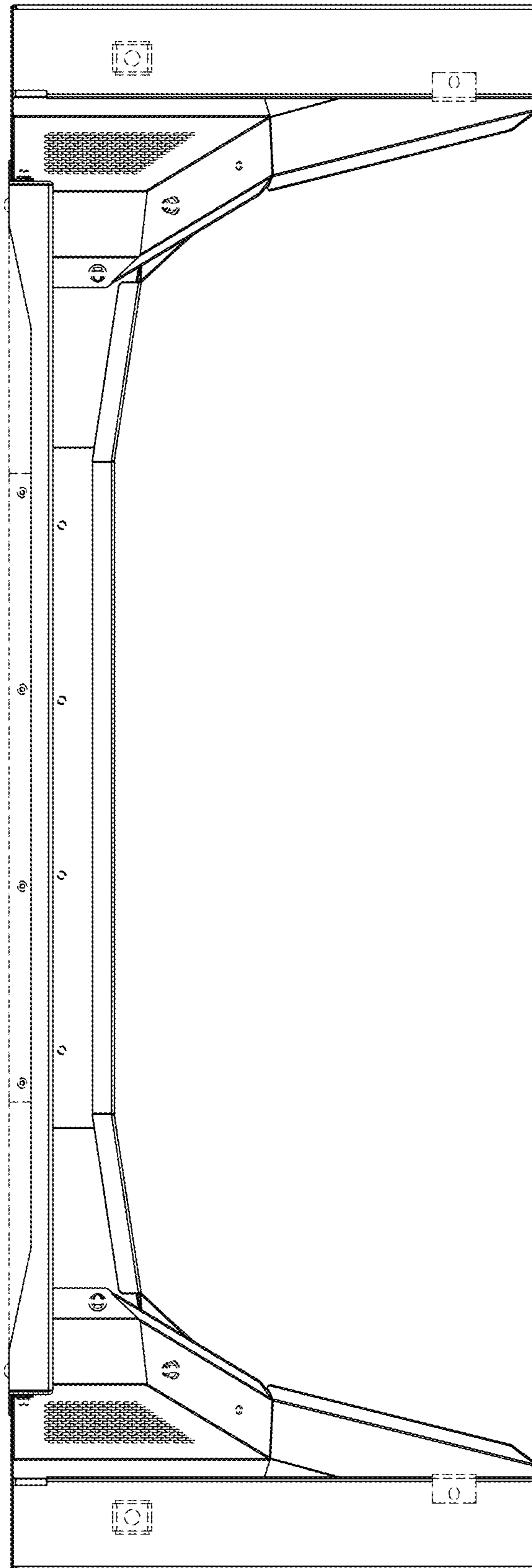


Fig.8