



US0D1009588S

(12) **United States Design Patent** (10) **Patent No.:** **US D1,009,588 S**
Long (45) **Date of Patent:** **** Jan. 2, 2024**

(54) **MULTI HEX BIT DRIVER ADJUSTABLE DEVICE**

(71) Applicant: **Vincent Reese Long**, San Leandro, CA (US)

(72) Inventor: **Vincent Reese Long**, San Leandro, CA (US)

(**) Term: **15 Years**

(21) Appl. No.: **29/804,200**

(22) Filed: **Aug. 18, 2021**

(51) **LOC (14) Cl.** **08-05**

(52) **U.S. Cl.**
USPC **D8/70**

(58) **Field of Classification Search**
USPC D8/14, 61, 70, 85, 86
CPC B25B 21/007; B25B 17/00; B25B 21/002;
B25B 23/0035

See application file for complete search history.

(56) **References Cited**

U.S. PATENT DOCUMENTS

2,781,682 A	2/1957	Herndon	
3,805,645 A	4/1974	Jenny	
4,515,043 A	5/1985	Gray	
5,074,170 A	12/1991	Shirley	
5,218,758 A	6/1993	Nguyen	
D429,262 S *	8/2000	Streich	D15/140
6,253,644 B1	7/2001	Duquette	
6,305,245 B1 *	10/2001	Kress	B23P 19/069 81/57.22
6,543,314 B1	4/2003	Hoyt	
7,077,031 B1	7/2006	Frederiksen	
7,637,182 B1	12/2009	Long	
7,926,388 B2	4/2011	Lu	
8,381,619 B2	2/2013	Hung	
9,308,632 B2	4/2016	Junkers	

2006/0169107 A1	8/2006	Taniguchi	
2013/0139651 A1 *	6/2013	Taylor	B23P 19/06 173/1
2017/0157750 A1 *	6/2017	Koenes	A63C 17/0006
2019/0381638 A1 *	12/2019	Bergan	F16H 1/20
2020/0130147 A1 *	4/2020	Shaw	B25B 23/0078
2021/0162570 A1 *	6/2021	Rodriguez Ramirez	B25B 17/00
2023/0043002 A1 *	2/2023	Long	B25B 21/007

FOREIGN PATENT DOCUMENTS

EP 2988908 B1 6/2020

* cited by examiner

Primary Examiner — Philip S Hyder

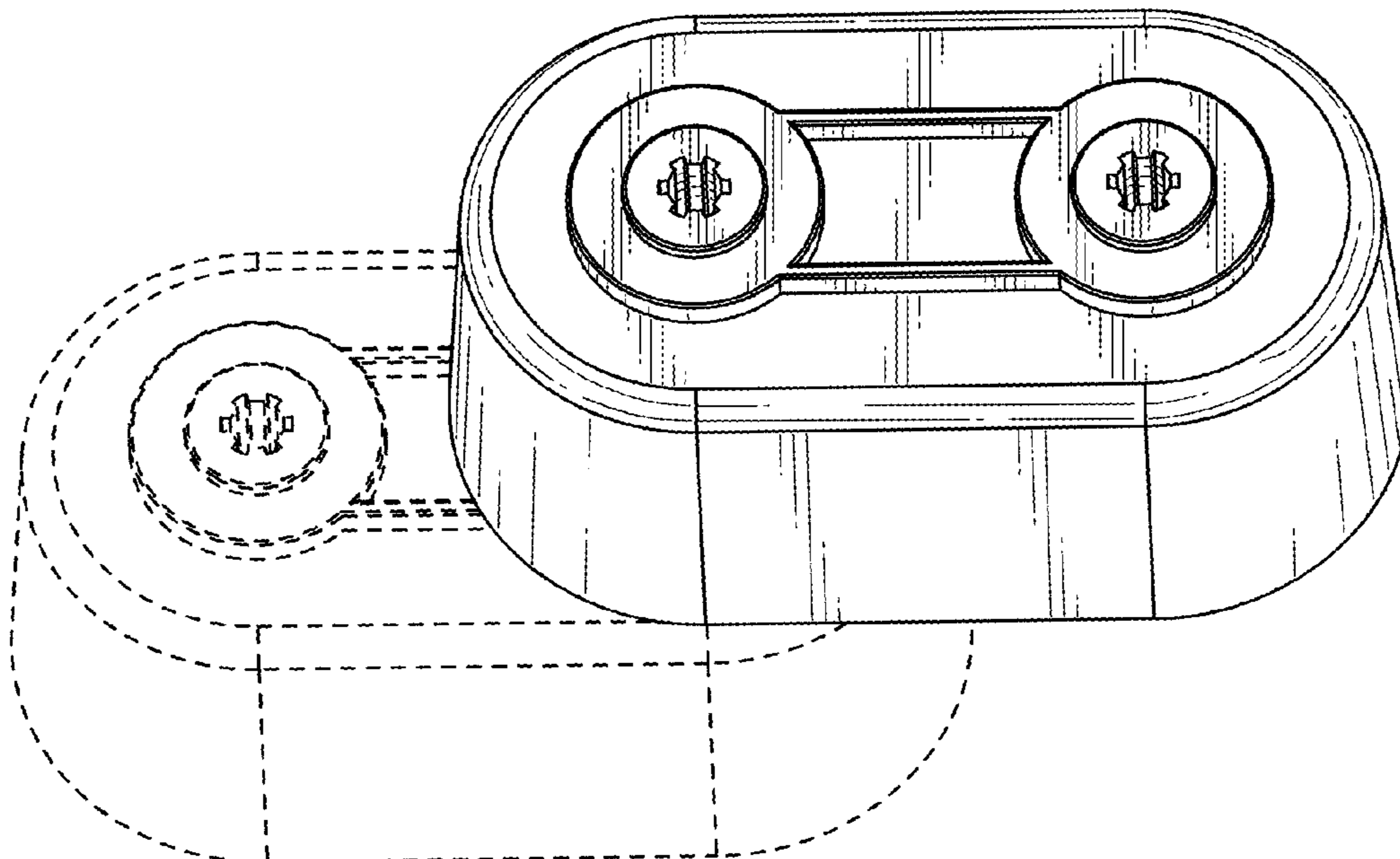
(57) **CLAIM**

The ornamental design for a multi hex bit driver adjustable device, as shown and described.

DESCRIPTION

FIG. 1 is a top-front perspective view of a multi hex bit driver adjustable device showing my new design; FIG. 2 is a bottom-rear perspective view thereof; FIG. 3 is a top plan view thereof; FIG. 4 is a bottom plan view thereof; FIG. 5 is a front elevational view thereof; FIG. 6 is a rear elevational view thereof; FIG. 7 is a left elevational view thereof; FIG. 8 is a right elevational view thereof; FIG. 9 is a top-front perspective view of the multi hex bit driver adjustable device with driver bits thereof; and, FIG. 10 is a bottom-rear perspective view thereof. The broken lines in FIGS. 9 and 10 showing driver bits are included for the purpose of illustrating environmental structure and forms no part of the claimed design.

1 Claim, 10 Drawing Sheets



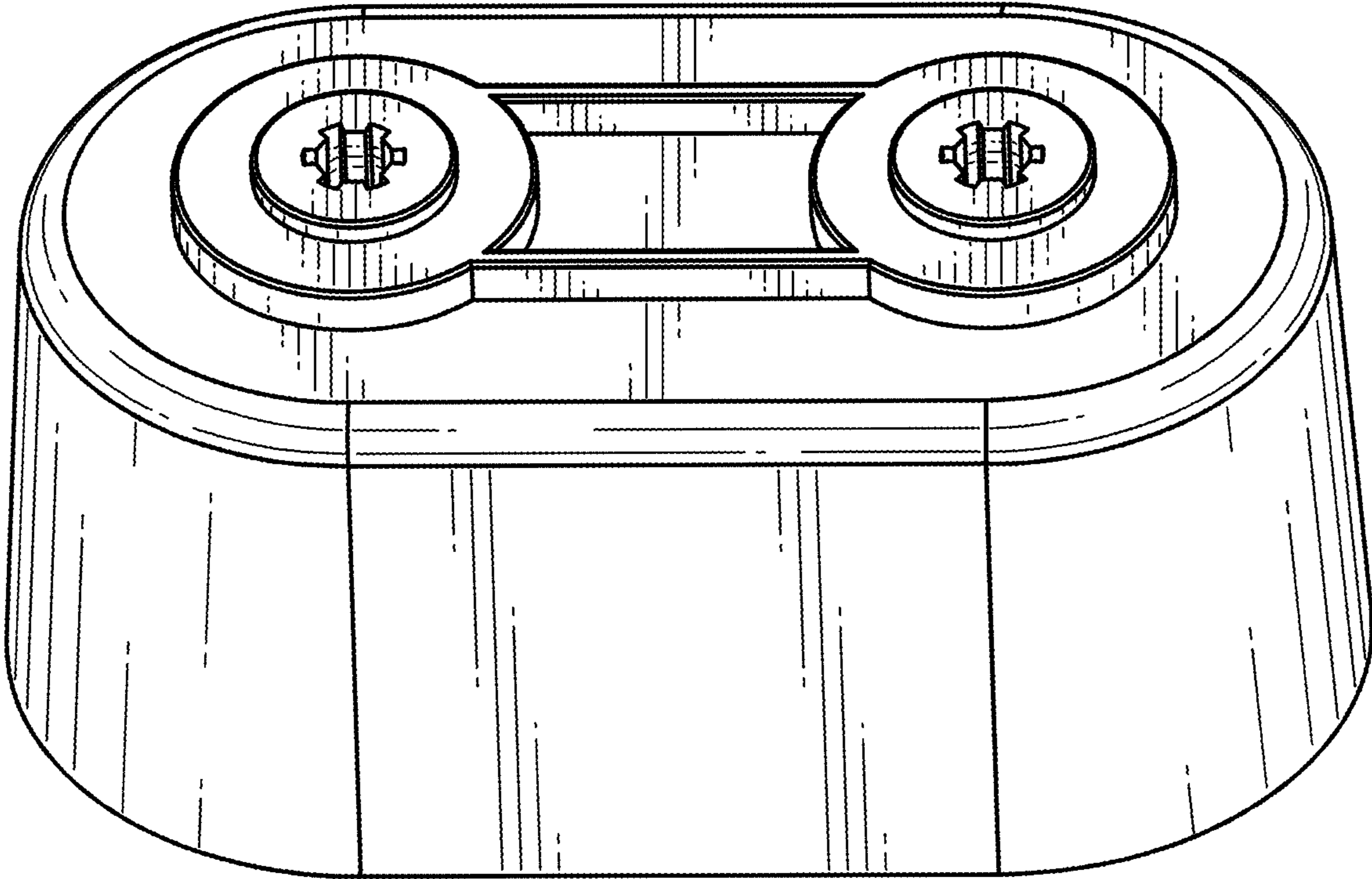


FIG. 1

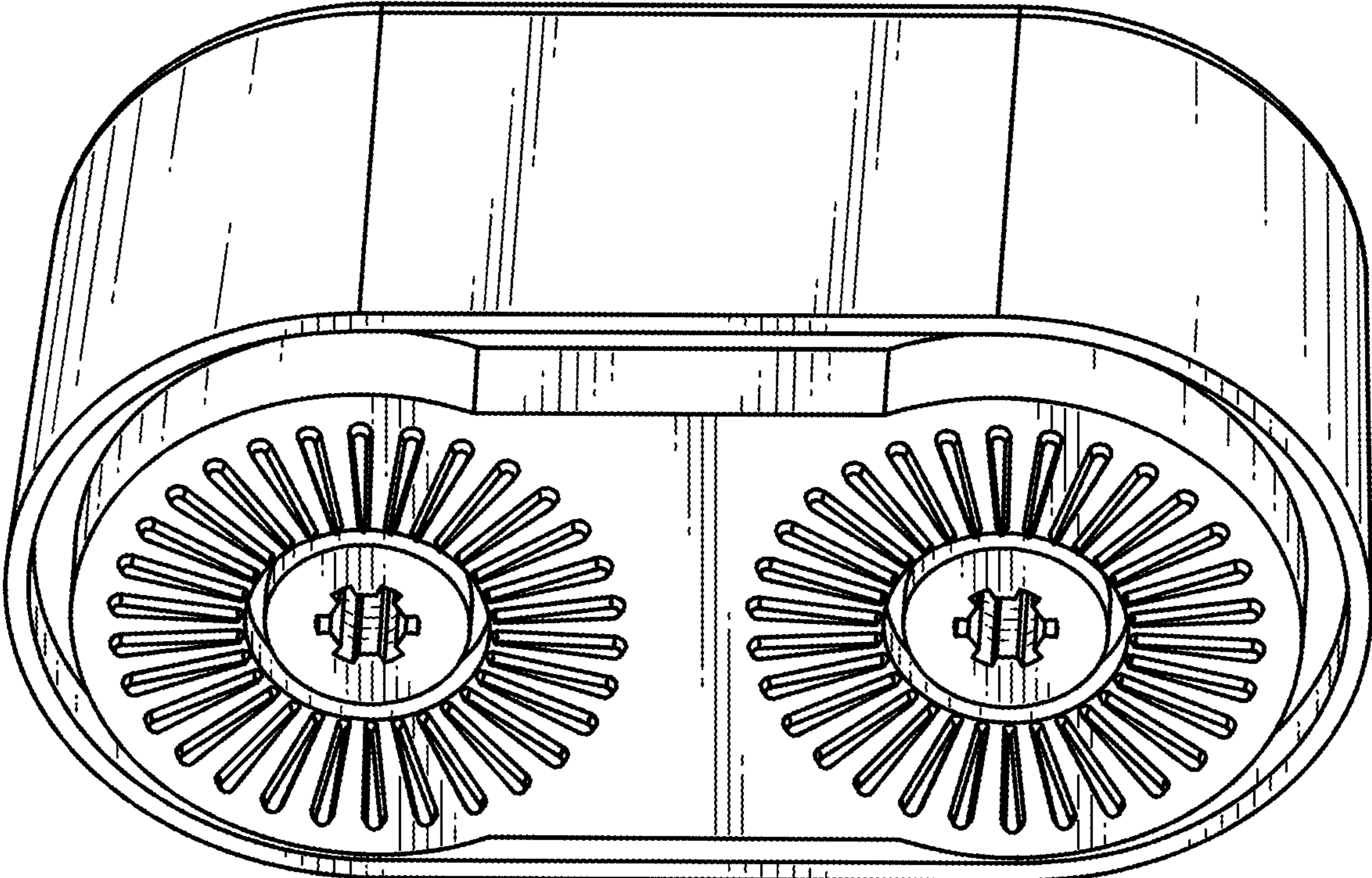


FIG. 2

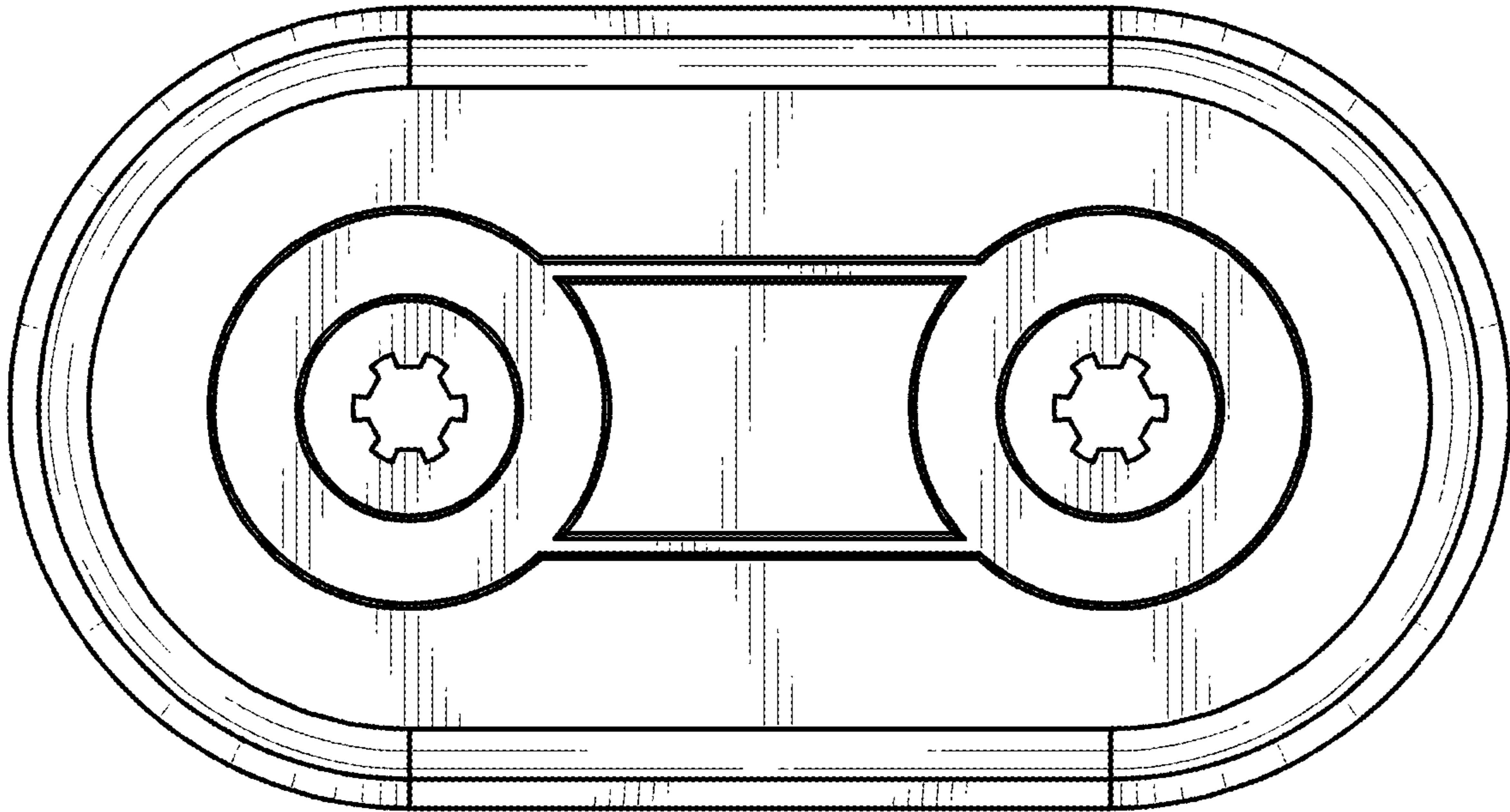


FIG. 3

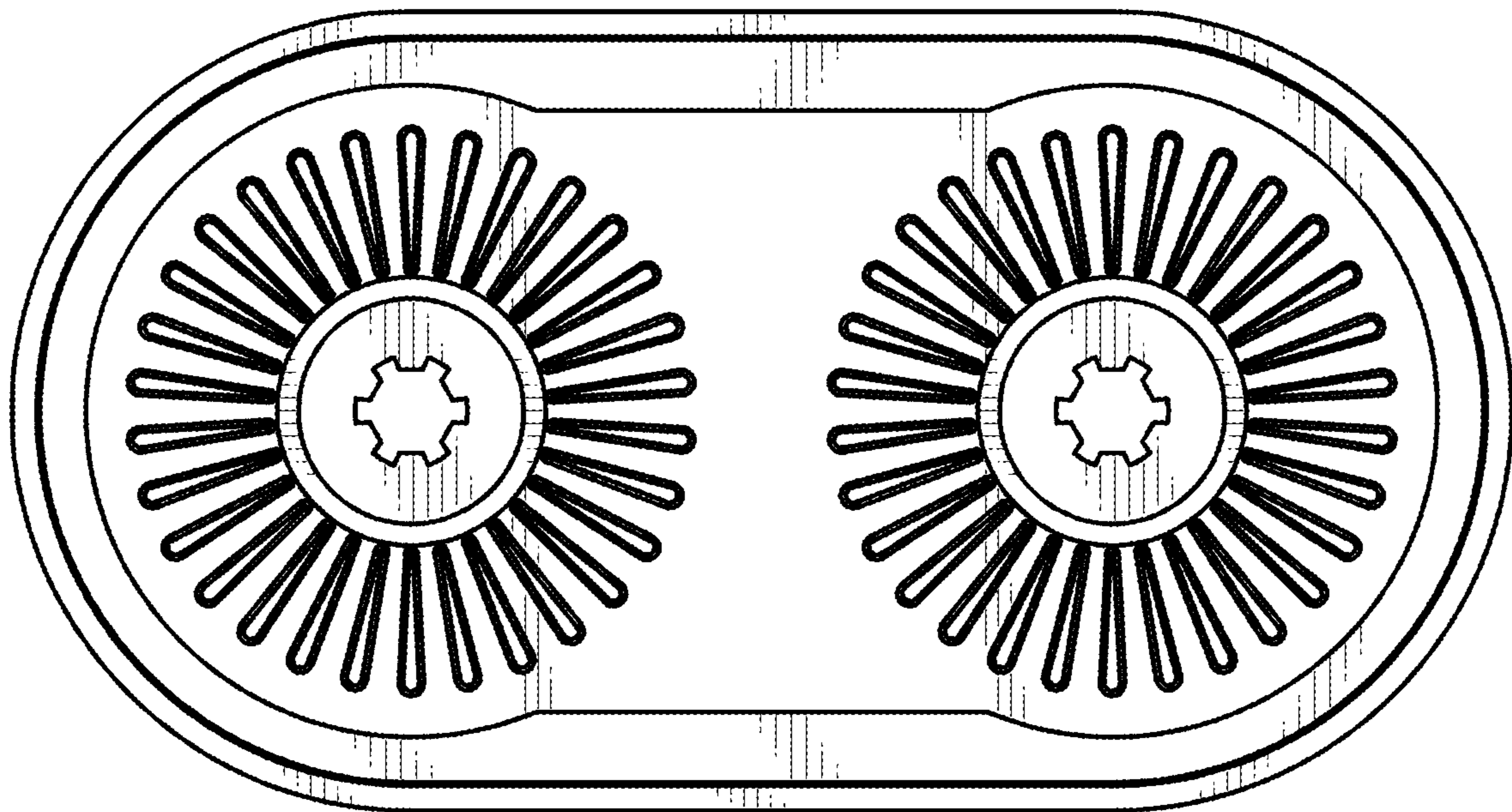


FIG. 4

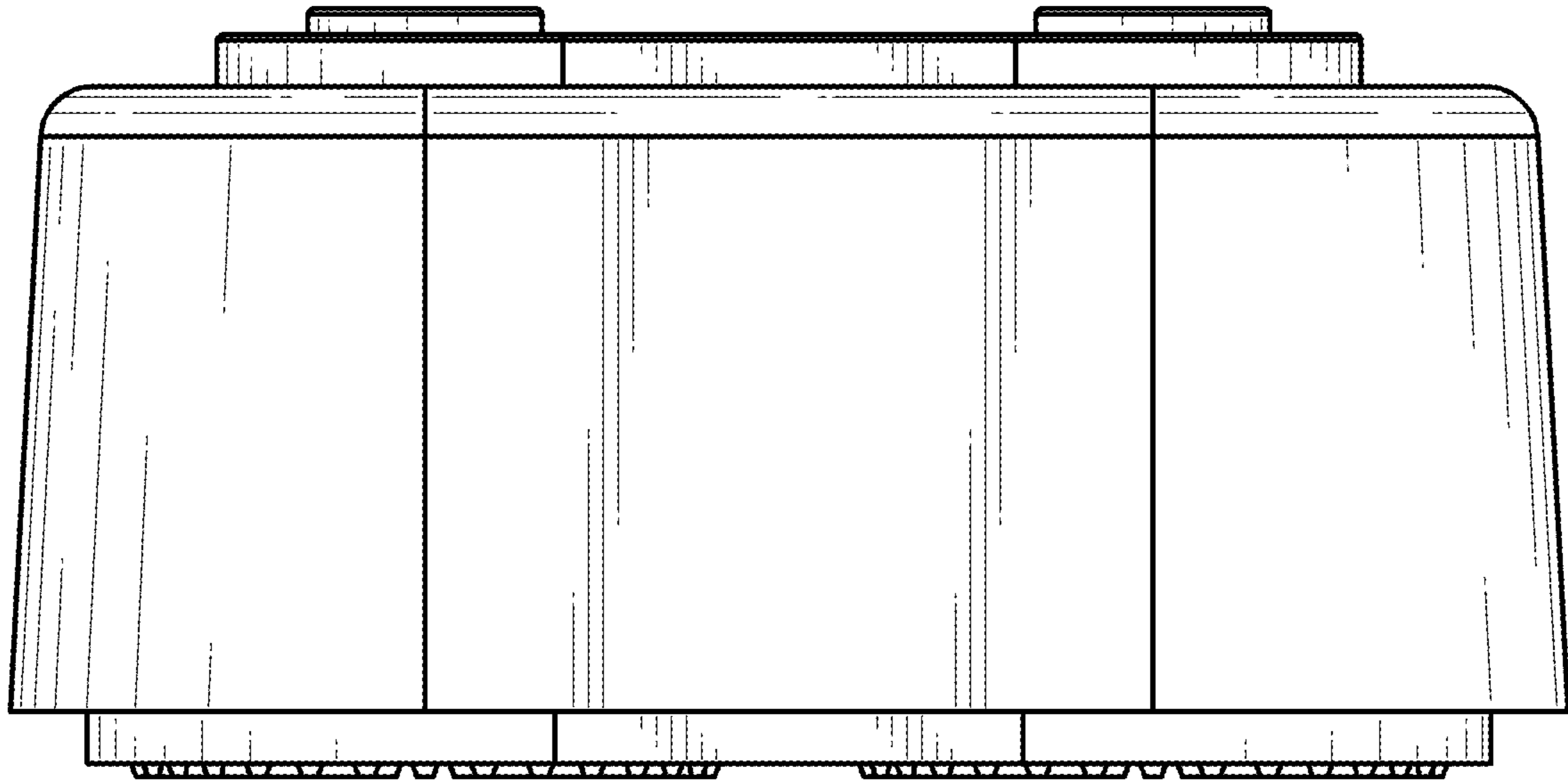


FIG. 5

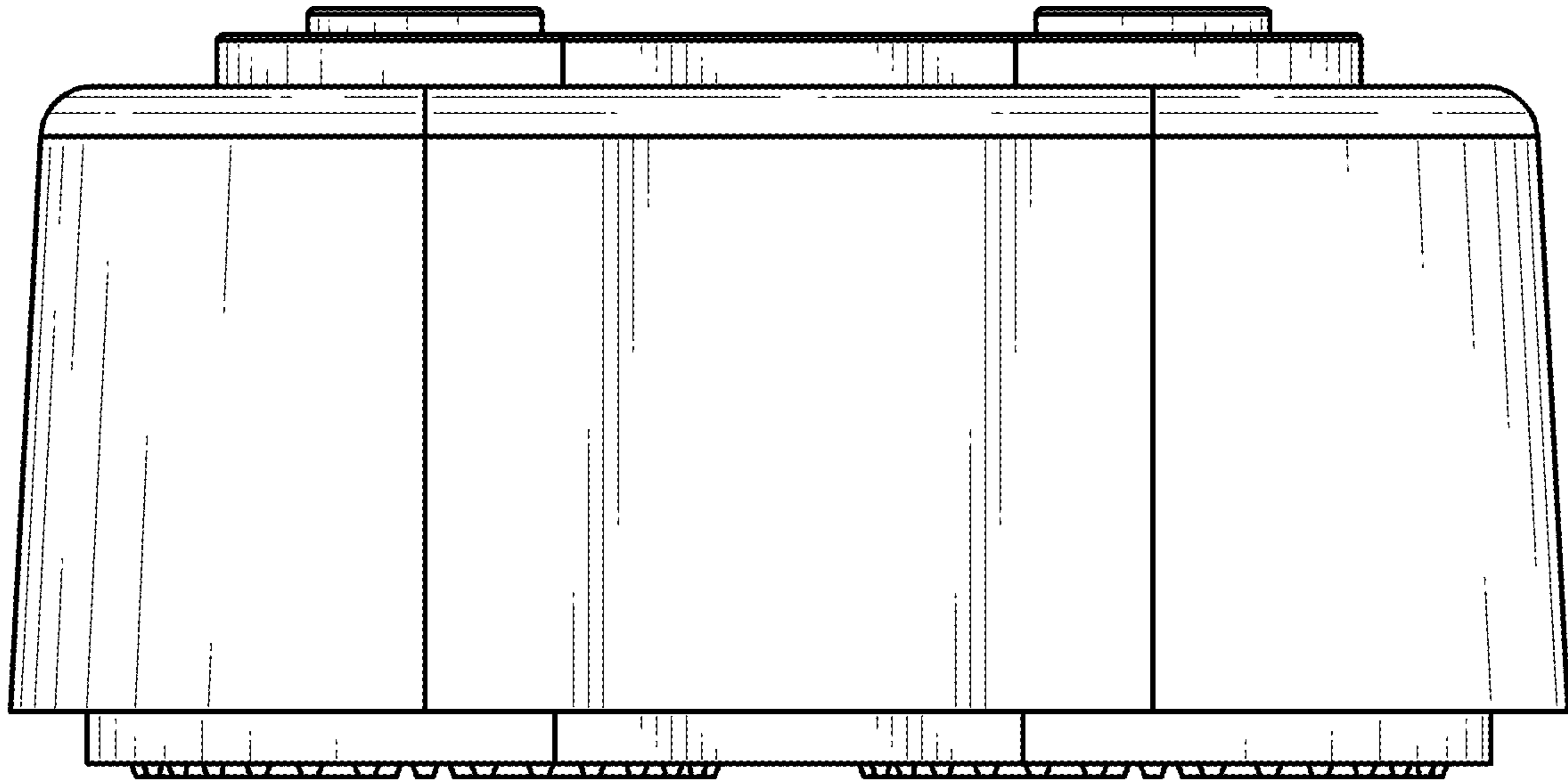


FIG. 6

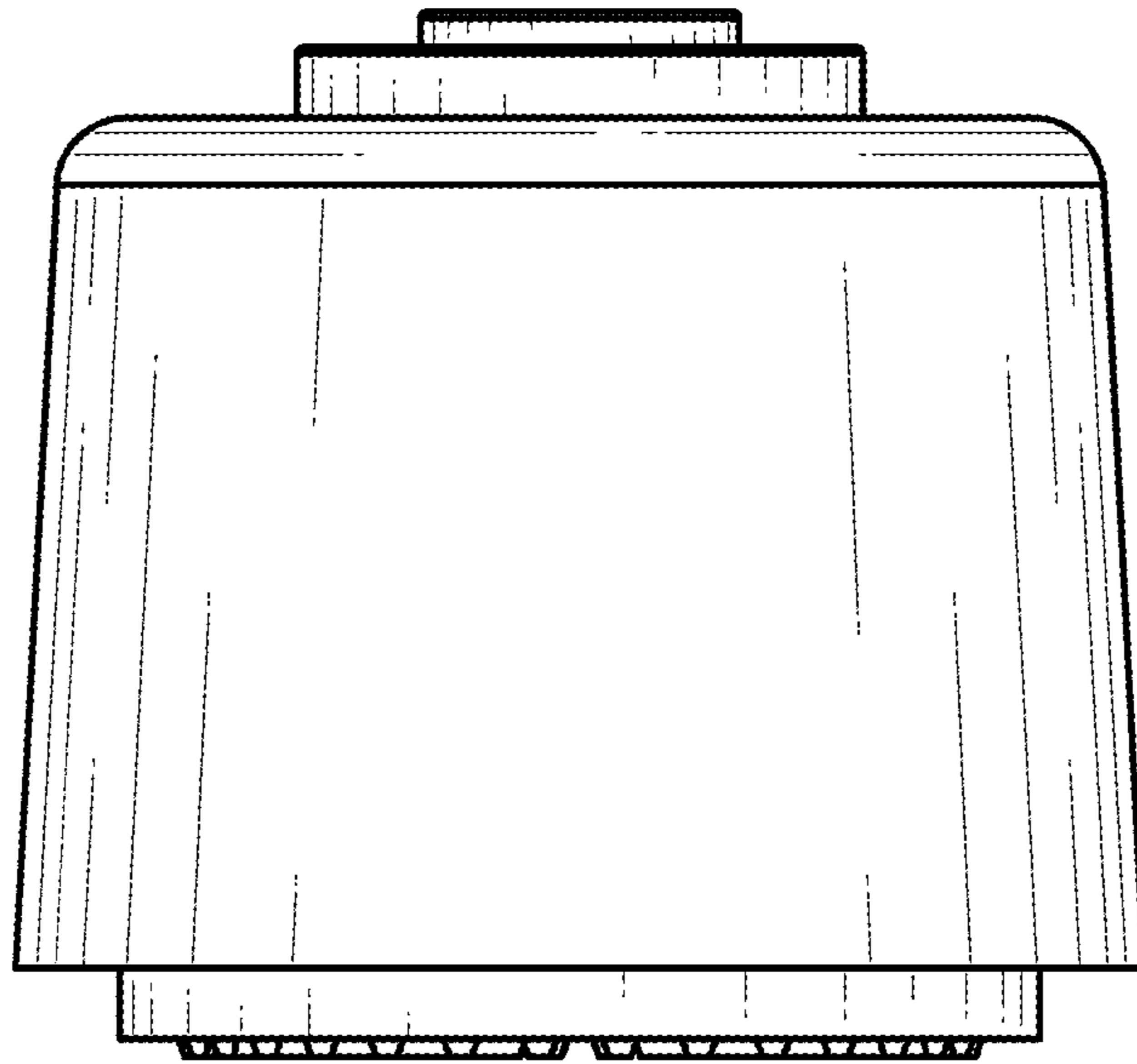


FIG. 7

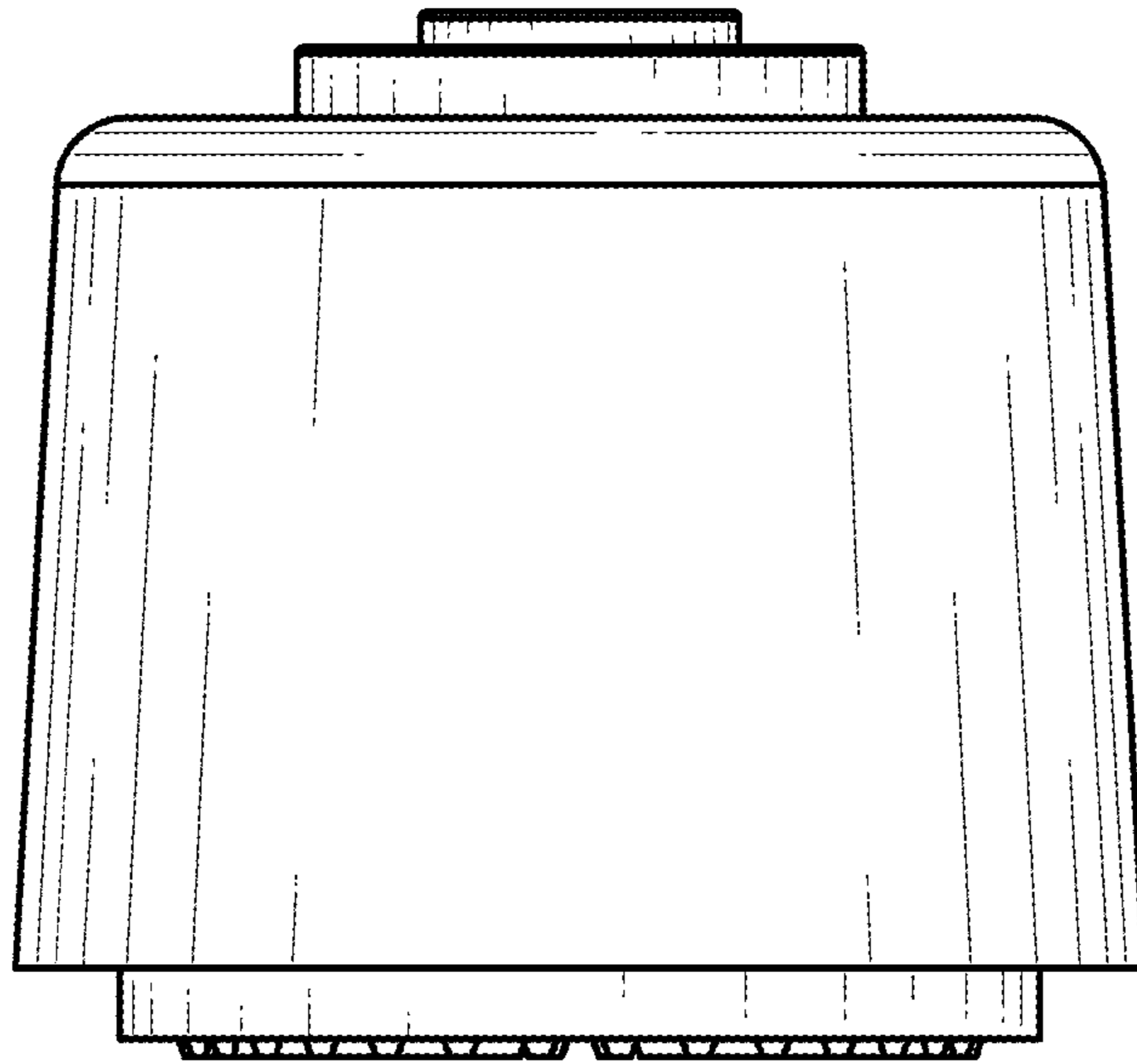


FIG. 8

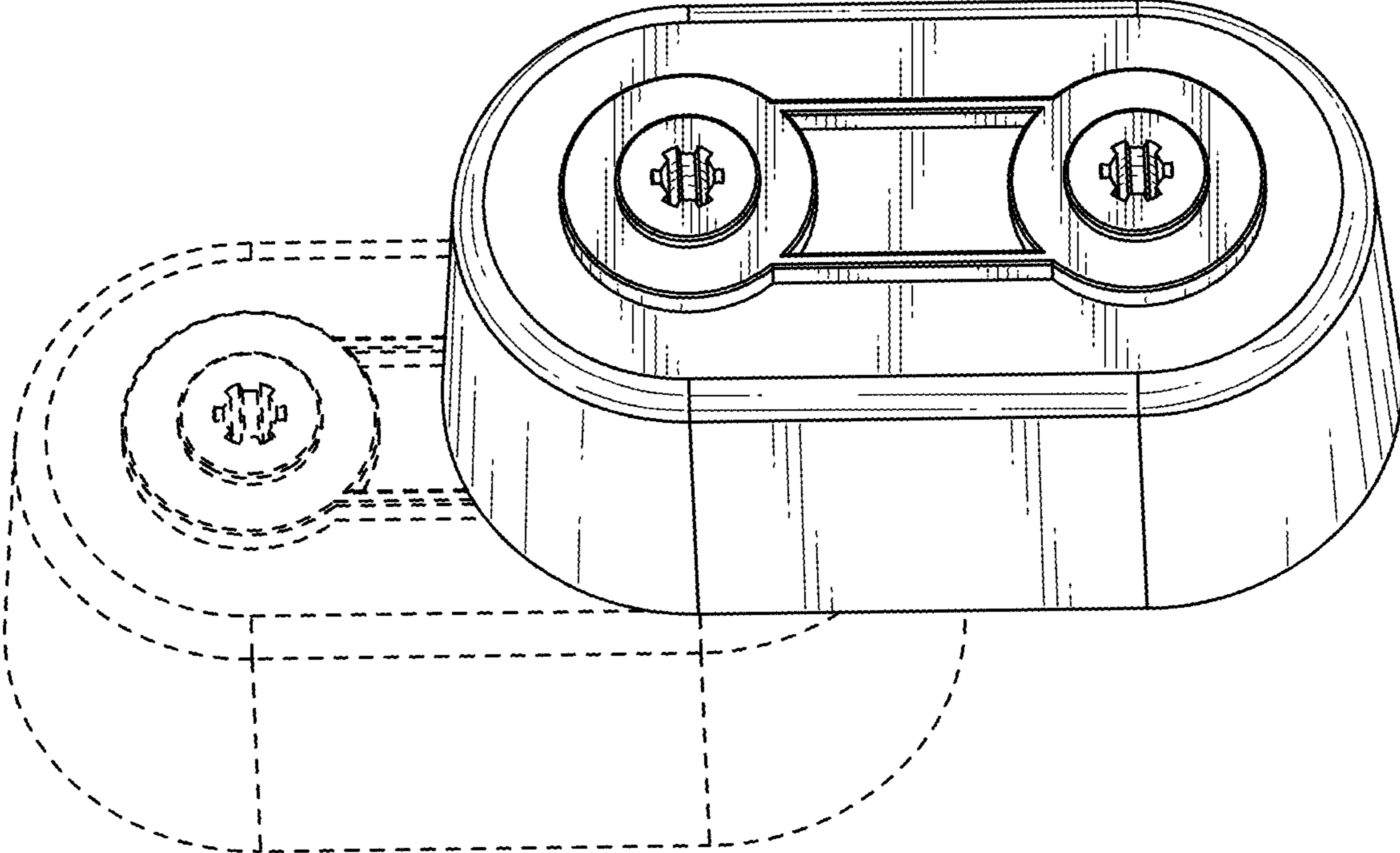


FIG. 9

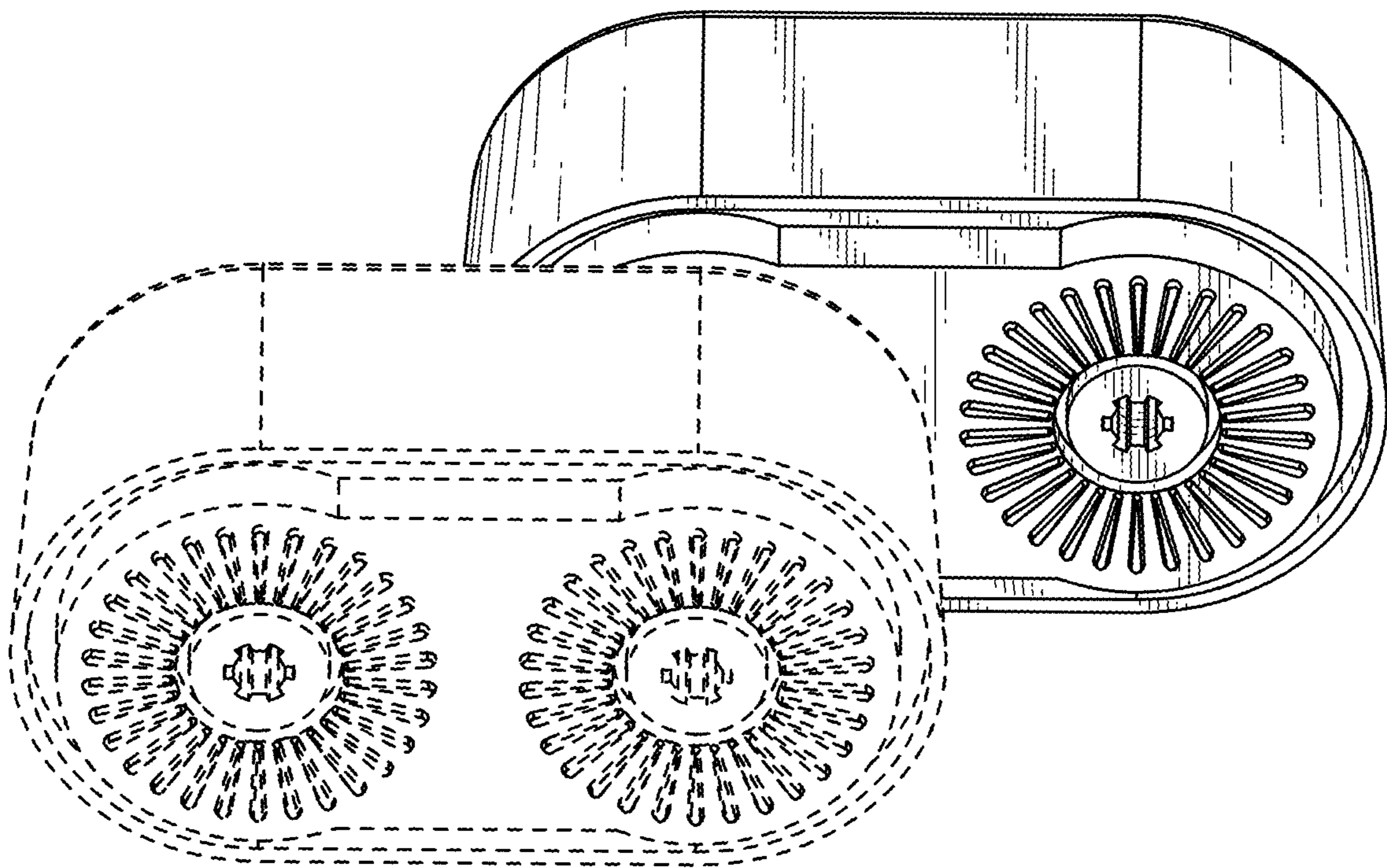


FIG. 10