



US0D1009565S

(12) **United States Design Patent**  
**Campos et al.**

(10) **Patent No.:** **US D1,009,565 S**  
(45) **Date of Patent:** **\*\* Jan. 2, 2024**

- (54) **SHOT GLASS**
- (71) Applicants: **Eric Campos**, Fullerton, CA (US);  
**Robert Bordeaux**, Prairieville, LA (US)
- (72) Inventors: **Eric Campos**, Fullerton, CA (US);  
**Robert Bordeaux**, Prairieville, LA (US)
- (\*\*) Term: **15 Years**
- (21) Appl. No.: **29/813,001**
- (22) Filed: **Oct. 26, 2021**
- (51) **LOC (14) Cl.** ..... **07-01**
- (52) **U.S. Cl.**  
USPC ..... **D7/515**
- (58) **Field of Classification Search**  
USPC ..... D7/300, 301, 506, 509, 514, 515, 520,  
D7/538, 539, 657; D9/614, 624, 625,  
D9/626, 627, 628  
CPC ..... A45F 3/16; A45F 3/20; A47G 19/2227;  
A47G 19/2205; A47G 19/2272; B65D  
1/265; B65D 81/365; B65D 1/06; B65D  
1/165; B65D 2543/00092; B65D  
2543/00296; B44F 7/00; G09F 23/06  
See application file for complete search history.

- D615,818 S \* 5/2010 Jansen ..... D7/515
- D641,640 S \* 7/2011 Kraff ..... D9/680
- D646,179 S \* 10/2011 Jansen ..... D9/680
- D658,945 S \* 5/2012 Fawcett ..... D24/198
- D664,042 S \* 7/2012 Kurpis ..... D9/680
- D679,811 S 4/2013 Hahn
- D686,921 S \* 7/2013 Odobescu ..... D9/680
- D719,257 S 12/2014 Magome
- 9,033,932 B2 5/2015 Holmqvist
- D754,223 S \* 4/2016 Pederson ..... D15/90
- D759,189 S \* 6/2016 Pederson ..... D22/116
- 9,381,307 B2 7/2016 Eaton
- D782,035 S 3/2017 Bainton
- D801,188 S \* 10/2017 Treadwell ..... D9/680
- D801,189 S \* 10/2017 Treadwell ..... D9/680

(Continued)

*Primary Examiner* — Joseph Kukella  
*Assistant Examiner* — Darryl J Dardenne

(57) **CLAIM**

The ornamental design for a shot glass, as shown and described.

**DESCRIPTION**

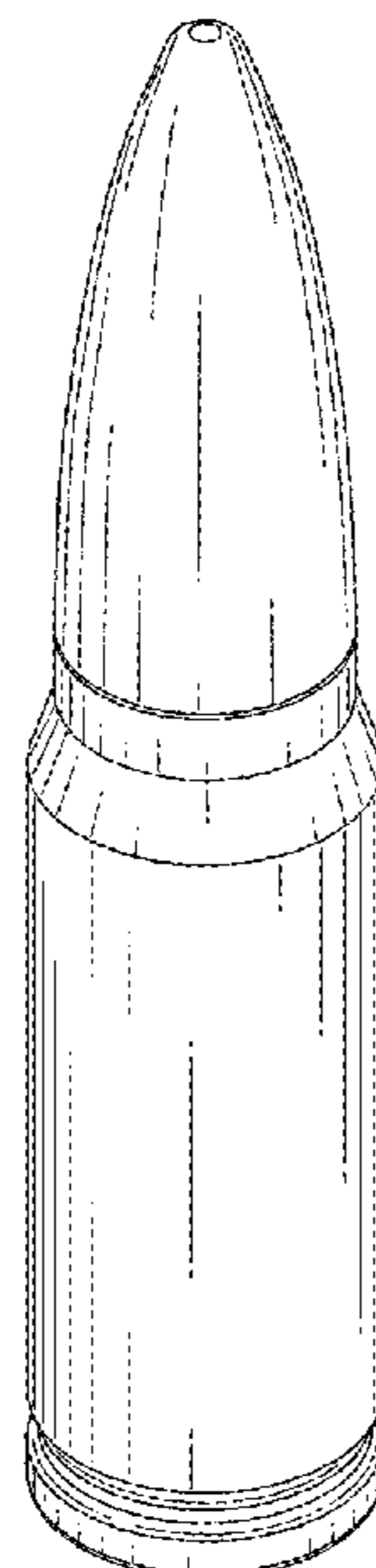
FIG. 1 is a top perspective view of a shot glass showing my new design;  
 FIG. 2 is a front elevational view thereof, the rear elevational view being a mirror image thereof;  
 FIG. 3 is a top plan view thereof;  
 FIG. 4 is a bottom view thereof;  
 FIG. 5 is a right-side elevational view thereof, the left-side elevational view being a mirror image thereof;  
 FIG. 6 is an exploded top perspective view thereof;  
 FIG. 7 is an exploded bottom perspective view thereof; and,  
 FIG. 8 is an exploded front view thereof.  
 The broken lines shown FIGS. 4, 6, and 7 are included for the purpose of showing environmental structure and form no part of the claimed design.

**1 Claim, 8 Drawing Sheets**

(56) **References Cited**

U.S. PATENT DOCUMENTS

- 3,329,146 A 7/1967 Waldman
- D381,897 S \* 8/1997 Matthiesen ..... B65D 81/365  
D9/503
- D384,859 S \* 10/1997 Cundieff ..... D7/515
- D409,443 S \* 5/1999 Clark ..... B65D 81/365  
D7/515
- 6,454,745 B1 9/2002 Donnan
- D500,952 S \* 1/2005 Moore ..... D9/674
- D536,786 S 2/2007 Schreiner
- D546,447 S 7/2007 White
- D587,803 S 3/2009 Di Sessa



(56)

**References Cited**

U.S. PATENT DOCUMENTS

D824,023	S	7/2018	Grimoldby	
D866,757	S	11/2019	Diluzio	
D871,145	S *	12/2019	Hebert .....	D7/515
D877,894	S	3/2020	Ho	
D906,762	S *	1/2021	Neale .....	D7/515
2010/0154919	A1 *	6/2010	Jansen .....	B67C 3/02 220/4.28
2014/0010938	A1 *	1/2014	Adams .....	B65D 81/365 141/82
2017/0036814	A1 *	2/2017	Treadwell .....	B65D 81/365

\* cited by examiner

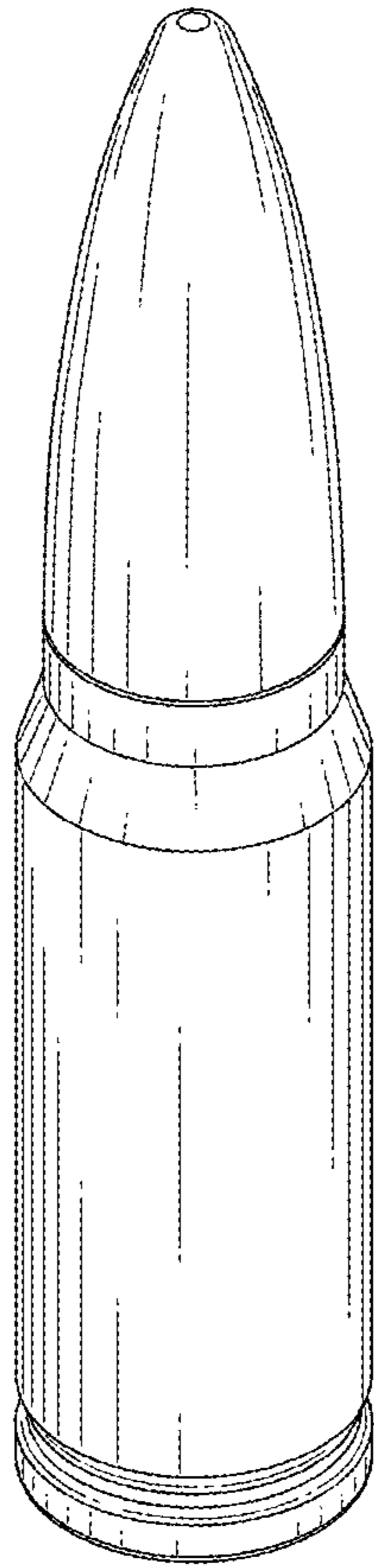


FIG. 1

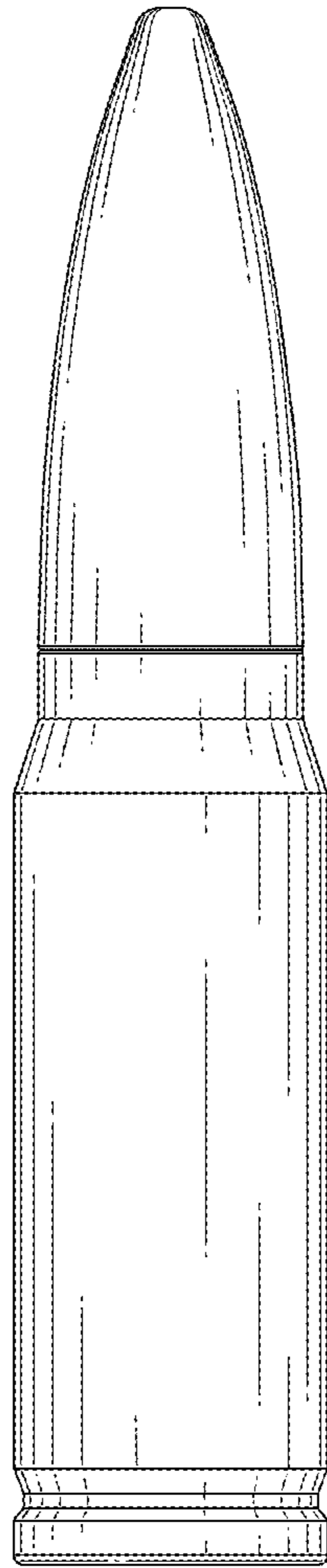


FIG. 2

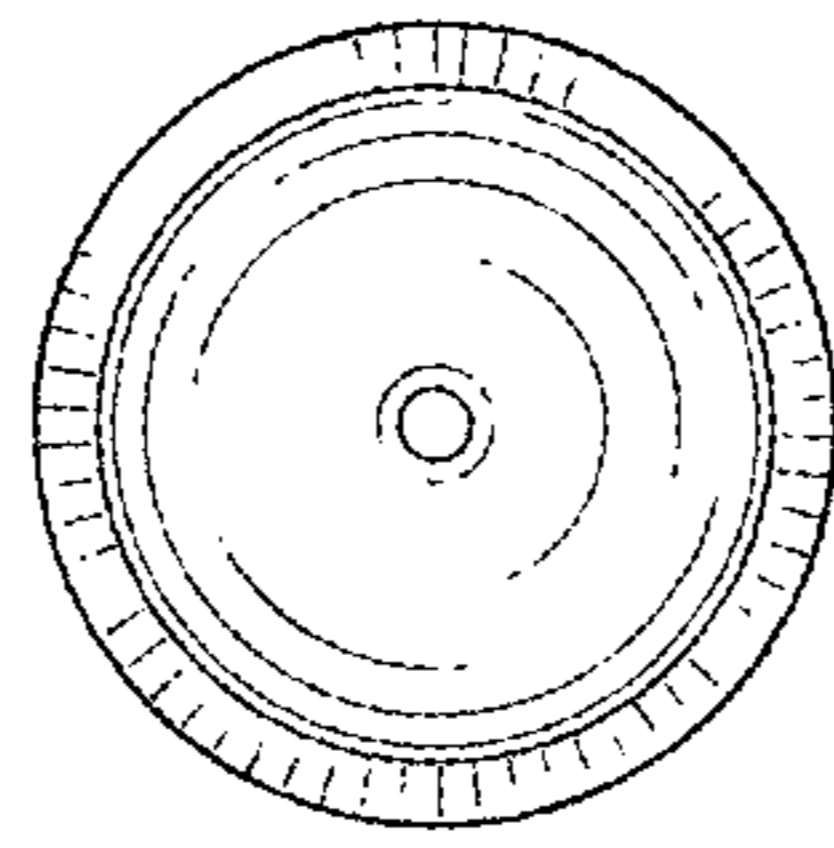


FIG. 3

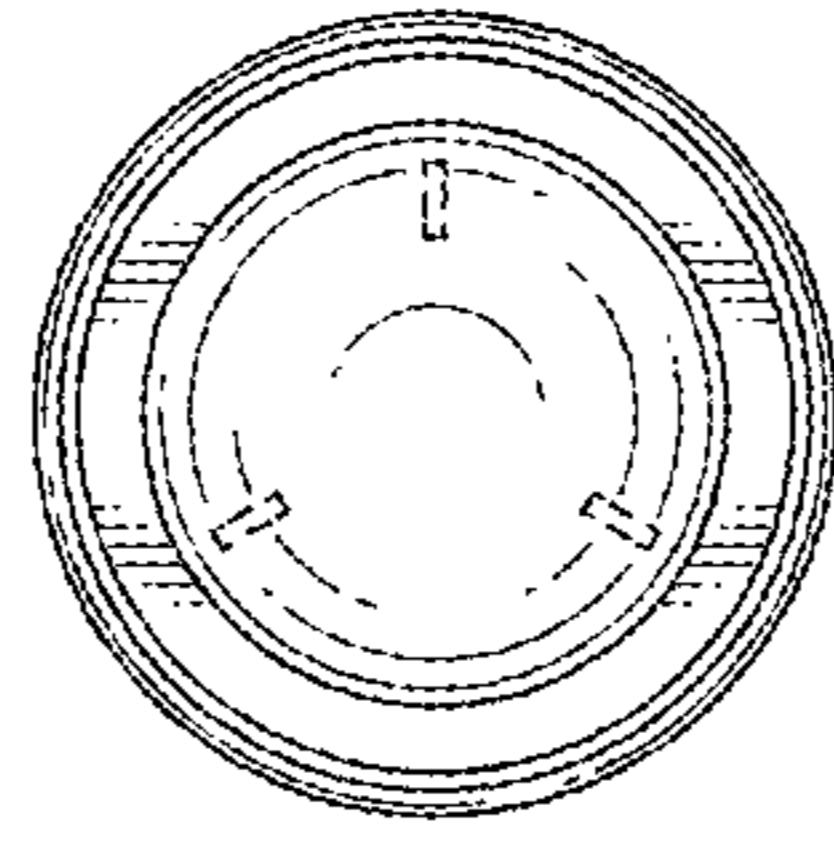


FIG. 4

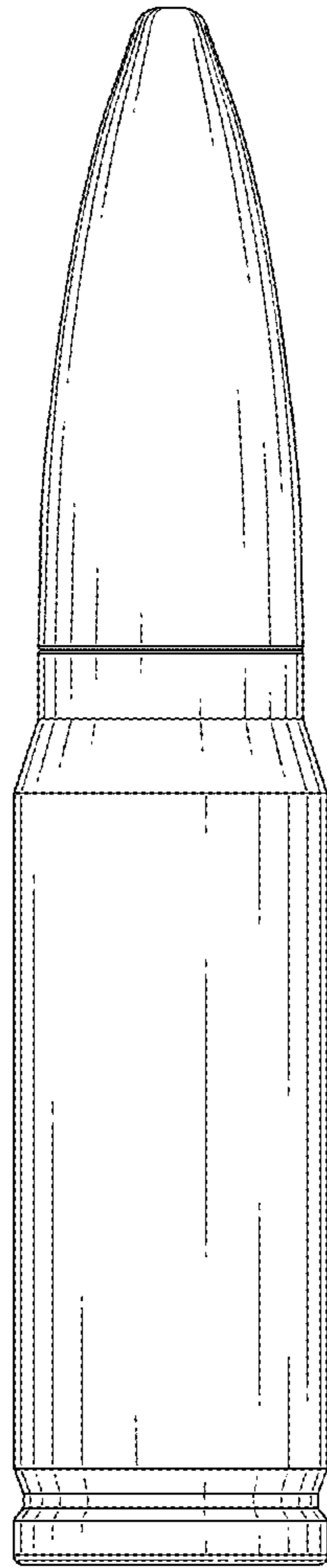


FIG. 5

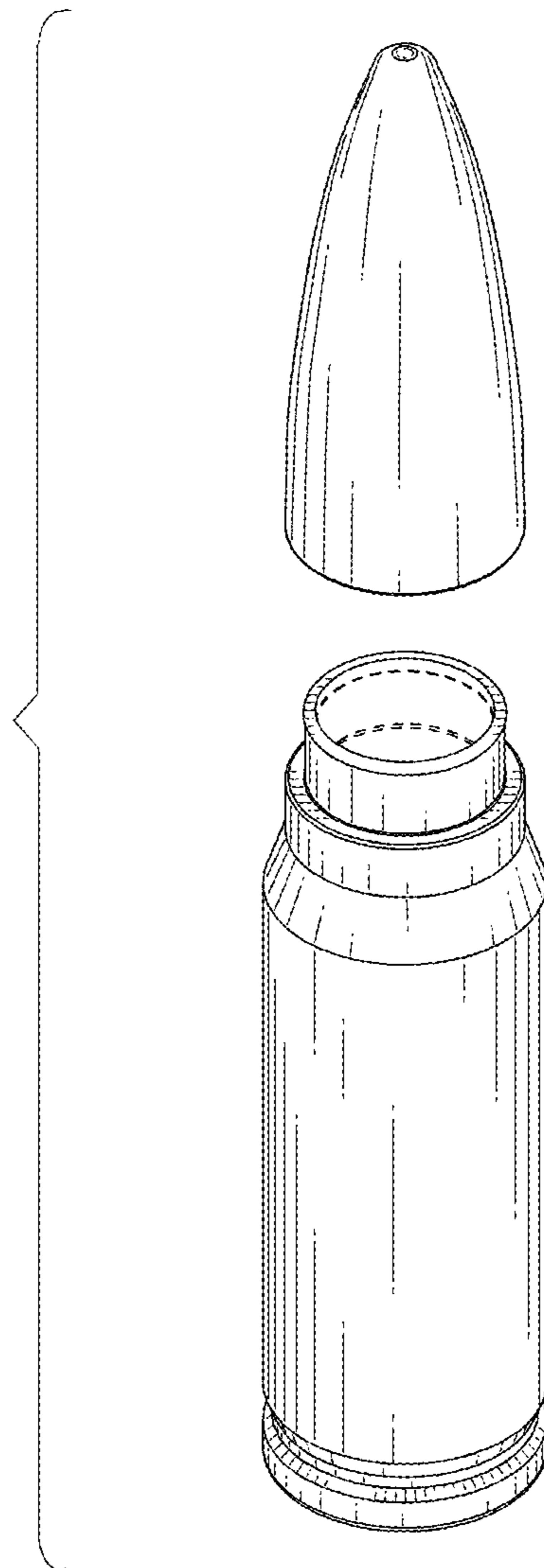


FIG. 6



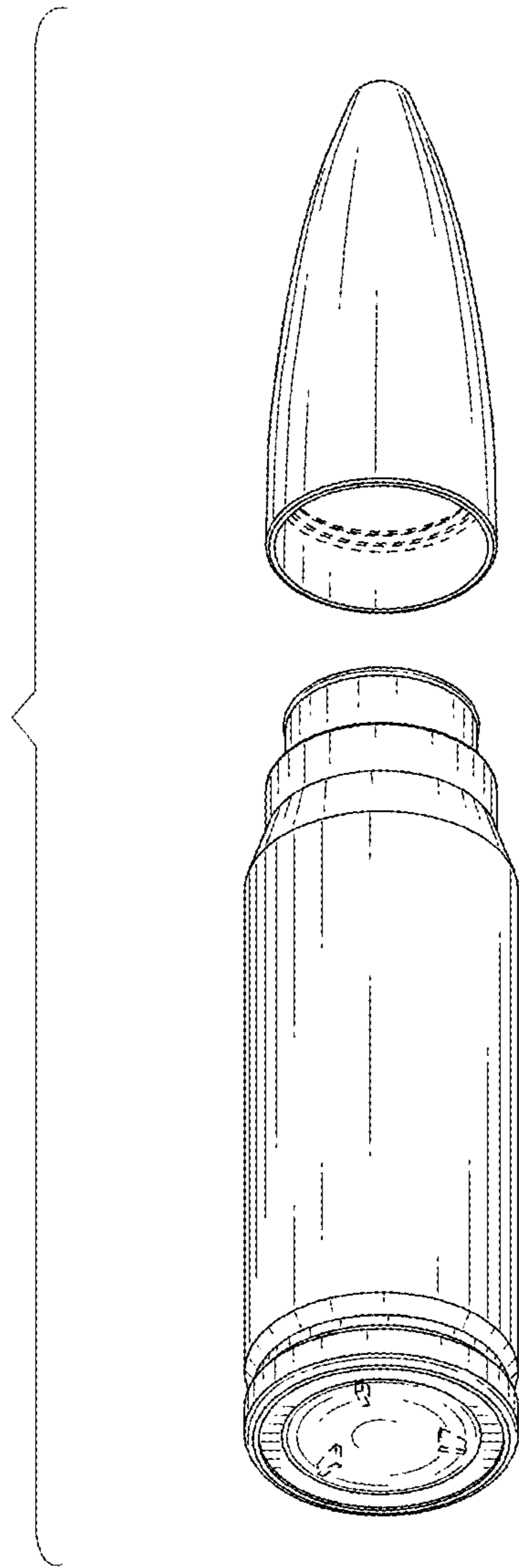


FIG. 7

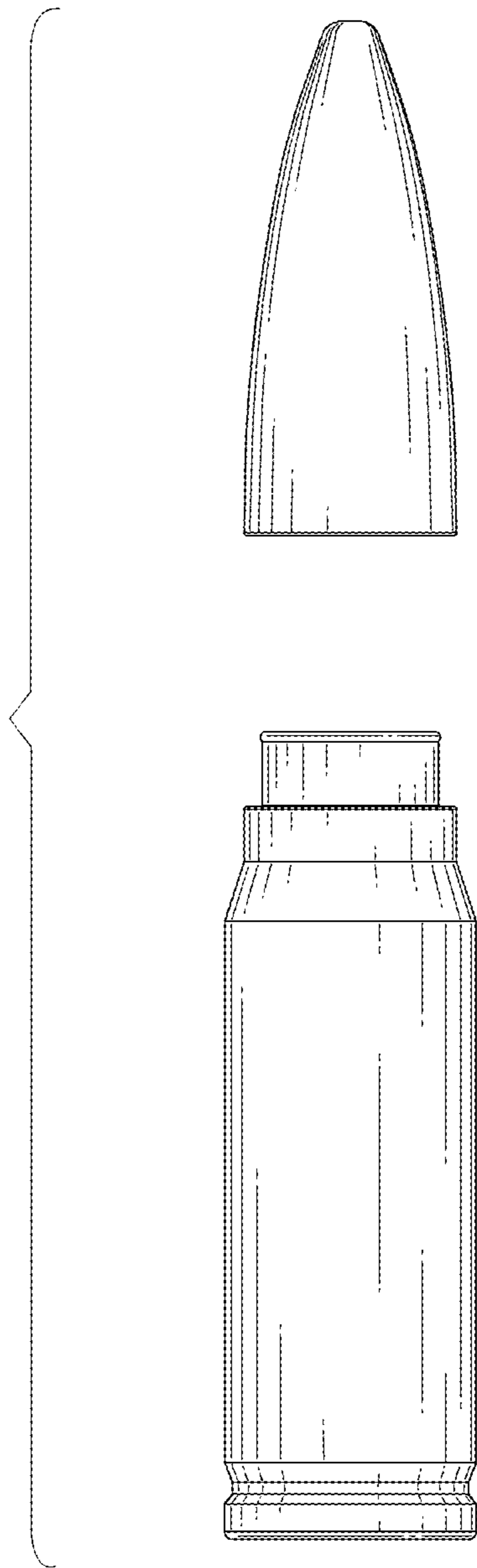


FIG. 8