



US0D1009558S

(12) **United States Design Patent** (10) **Patent No.:** **US D1,009,558 S**
Guo (45) **Date of Patent:** **** Jan. 2, 2024**

(54) **FOLDABLE TEA STRAINER**

(71) Applicant: **Ning Guo**, Huizhou (CN)

(72) Inventor: **Ning Guo**, Huizhou (CN)

(73) Assignee: **Ning Guo**, Huizhou (CN)

(**) Term: **15 Years**

(21) Appl. No.: **29/811,238**

(22) Filed: **Oct. 13, 2021**

(30) **Foreign Application Priority Data**

Sep. 27, 2021 (CN) 202130641899.6

(51) **LOC (14) Cl.** **07-06**

(52) **U.S. Cl.**
USPC **D7/400**

(58) **Field of Classification Search**
USPC D7/399, 400, 667; D9/416, 428, 425,
D9/429; D23/209, 365; D24/221;
D32/31
CPC A47J 31/44; A47J 47/16; A47J 31/0673;
A47J 31/368; A47J 31/3695; A47J 31/18;
A47J 31/41; B65D 85/8061; B65D
85/8046

See application file for complete search history.

(56) **References Cited**

U.S. PATENT DOCUMENTS

D261,850 S *	11/1981	Carfagno	D7/400
D270,513 S *	9/1983	Wallsten	D7/400
D341,992 S *	12/1993	Gasser	D7/400
D396,603 S *	8/1998	Gasser	D7/400
D495,105 S *	8/2004	Baldinger	D32/30
D514,398 S *	2/2006	Feil	D7/667
D516,766 S *	3/2006	Daams	D7/509
D567,020 S *	4/2008	Bodum	D7/400
D575,105 S *	8/2008	Gauss	D7/397

D649,870 S *	12/2011	Cometto	D9/424
D660,645 S *	5/2012	Zandona	D7/400
D709,322 S *	7/2014	Ross	D7/400
D717,594 S *	11/2014	Taketani	D7/400
D720,960 S *	1/2015	Ko	D7/400
D723,868 S *	3/2015	Hertaus	D7/400
D729,005 S *	5/2015	Lee	D7/400
D734,985 S *	7/2015	Furia	D9/425
D764,864 S *	8/2016	Hertaus	D7/400
D764,865 S *	8/2016	Hertaus	D7/400
D767,331 S *	9/2016	Burrows	D7/400
D788,577 S *	6/2017	Schaude	D9/416

(Continued)

Primary Examiner — Joseph Kukella
Assistant Examiner — Darryl J Dardenne
(74) *Attorney, Agent, or Firm* — Nitin Kaushik

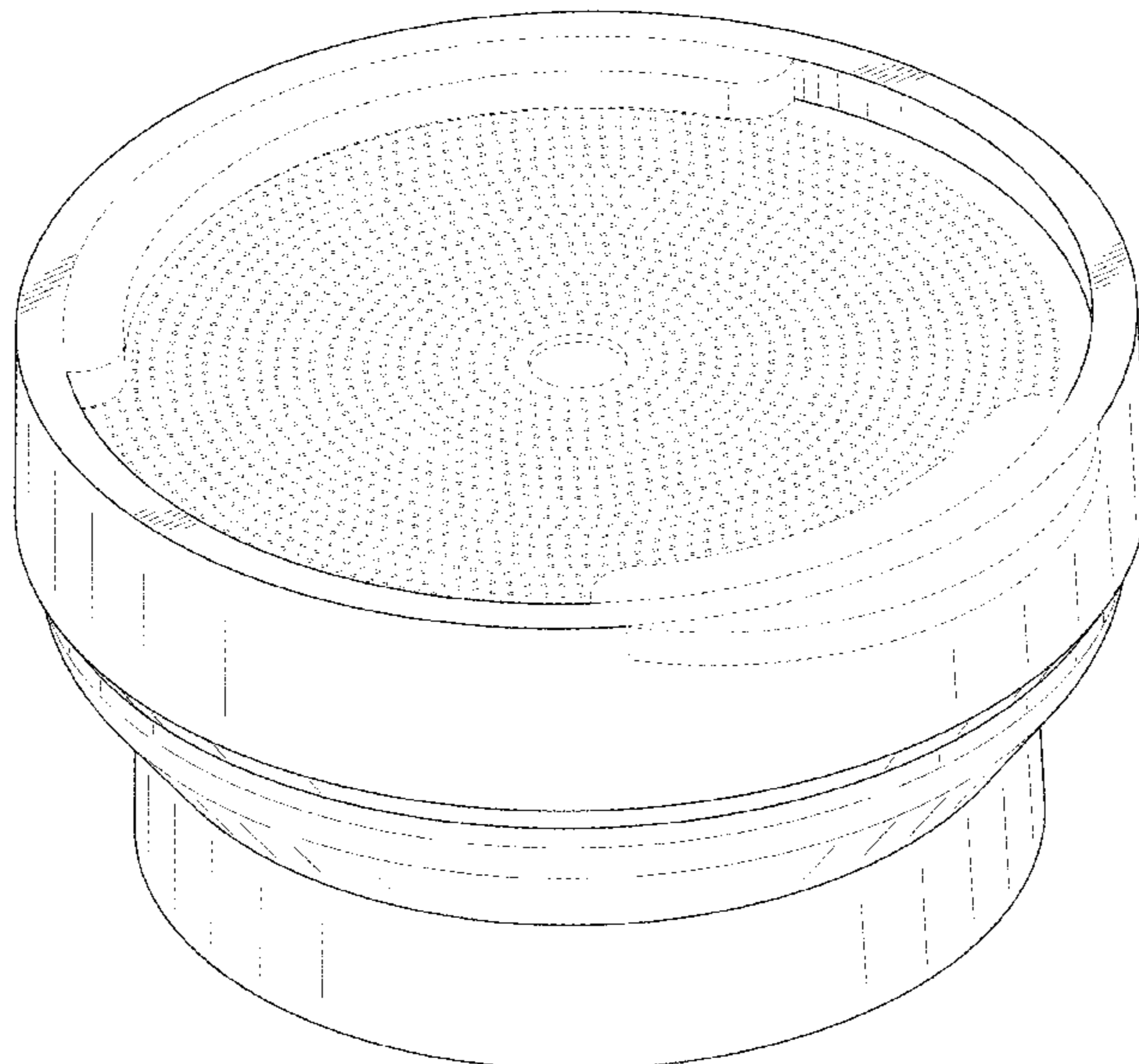
(57) **CLAIM**

The ornamental design for a foldable tea strainer, as shown and described.

DESCRIPTION

FIG. 1 is a perspective view of a foldable tea strainer showing my new design;
FIG. 2 is another perspective view thereof;
FIG. 3 is a front elevational view thereof;
FIG. 4 is a rear elevational view thereof;
FIG. 5 is a left side elevational view thereof;
FIG. 6 is a right side elevational view thereof;
FIG. 7 is a top plan view thereof;
FIG. 8 is a bottom plan view thereof;
FIG. 9 is a perspective view of the foldable tea strainer where the foldable tea strainer is in a first configuration of use; and,
FIG. 10 is a perspective view of the foldable tea strainer where the foldable tea strainer is in a second configuration of use.
The broken lines in the drawings depict portions of the foldable tea strainer that form no part of the claimed design.

1 Claim, 10 Drawing Sheets



(56)

References Cited

U.S. PATENT DOCUMENTS

D815,895 S * 4/2018 Roth D23/209
D860,777 S * 9/2019 Giovanni D9/416
D899,182 S * 10/2020 Brown D7/400
D968,887 S * 11/2022 Huang D7/400
D977,302 S * 2/2023 Guo D7/400
D978,610 S * 2/2023 Birdwell D7/400
2007/0101870 A1* 5/2007 Liu A47J 31/18
99/495
2012/0279398 A1* 11/2012 Sproul A47J 31/0636
99/322
2019/0082879 A1* 3/2019 De'Longhi A47J 31/0642

* cited by examiner

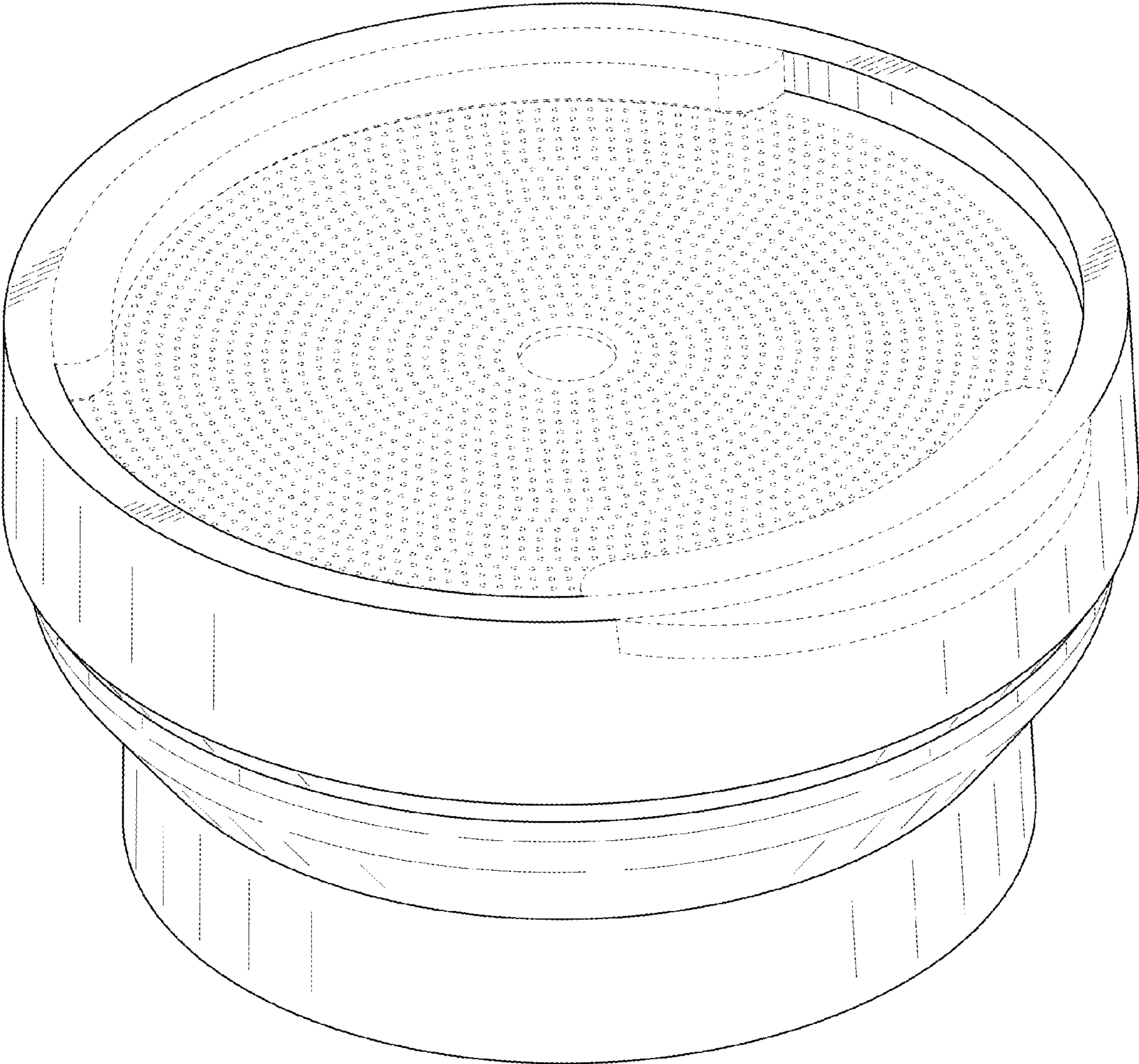


FIG. 1

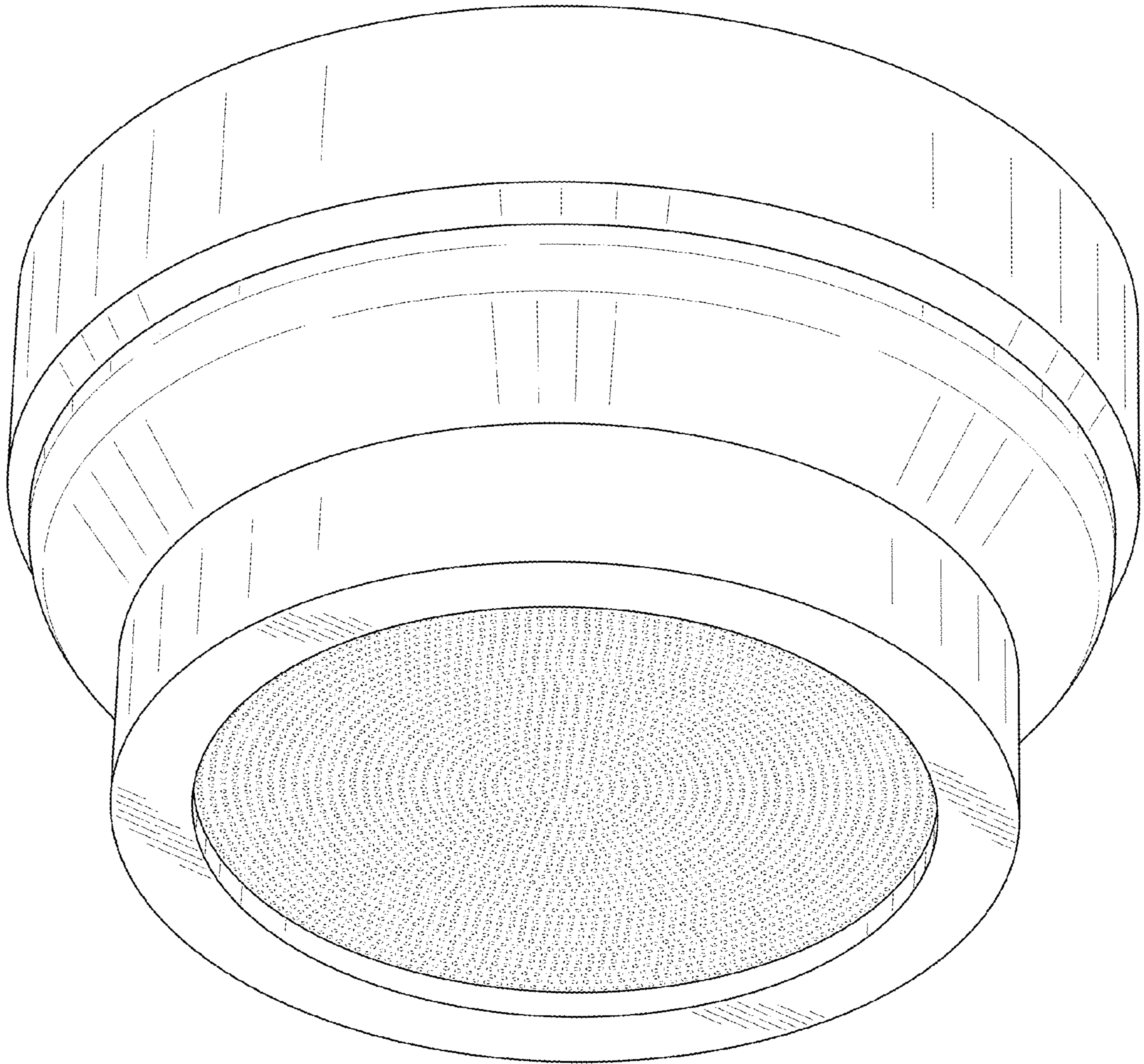


FIG. 2

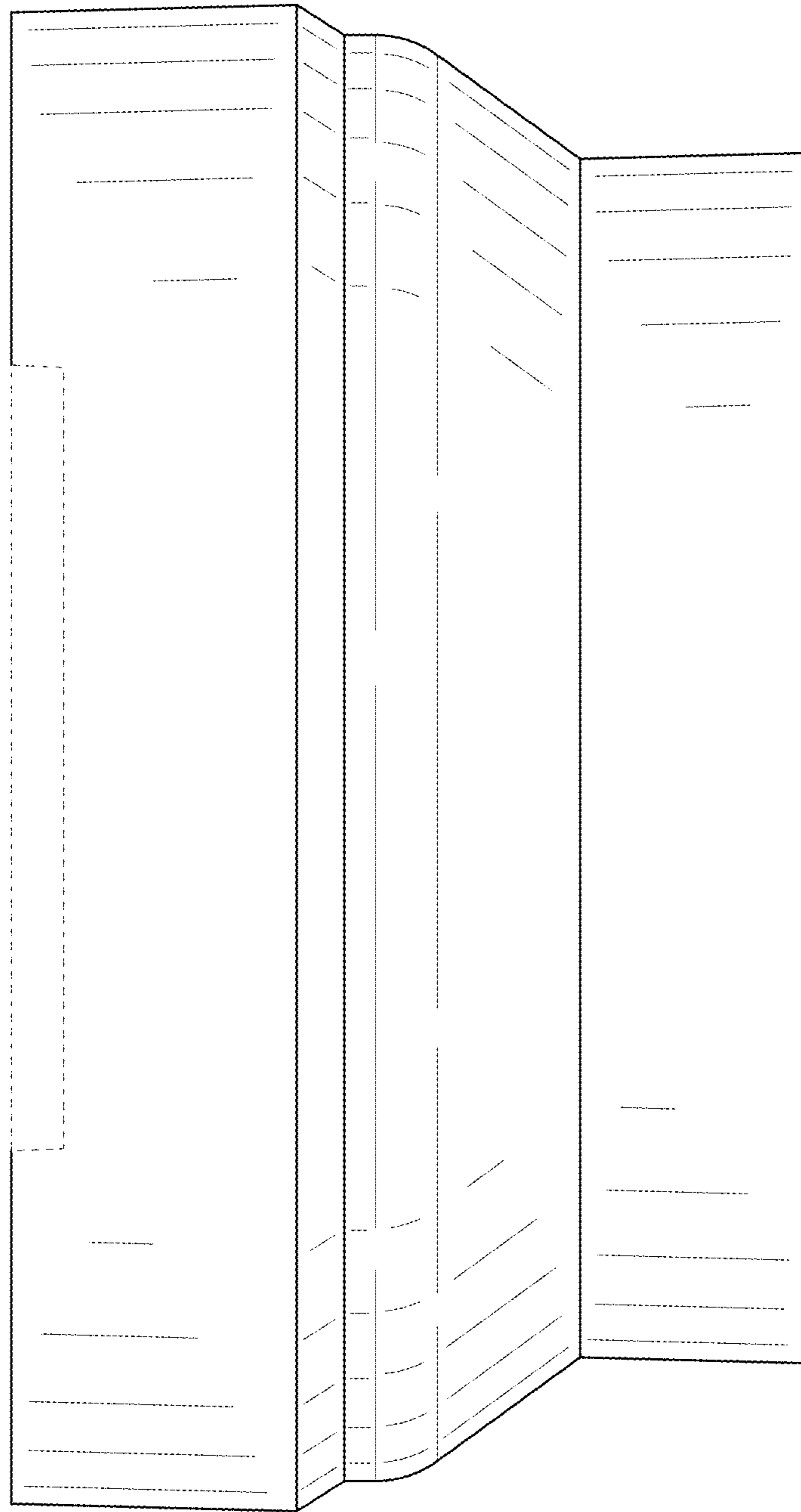


FIG. 3

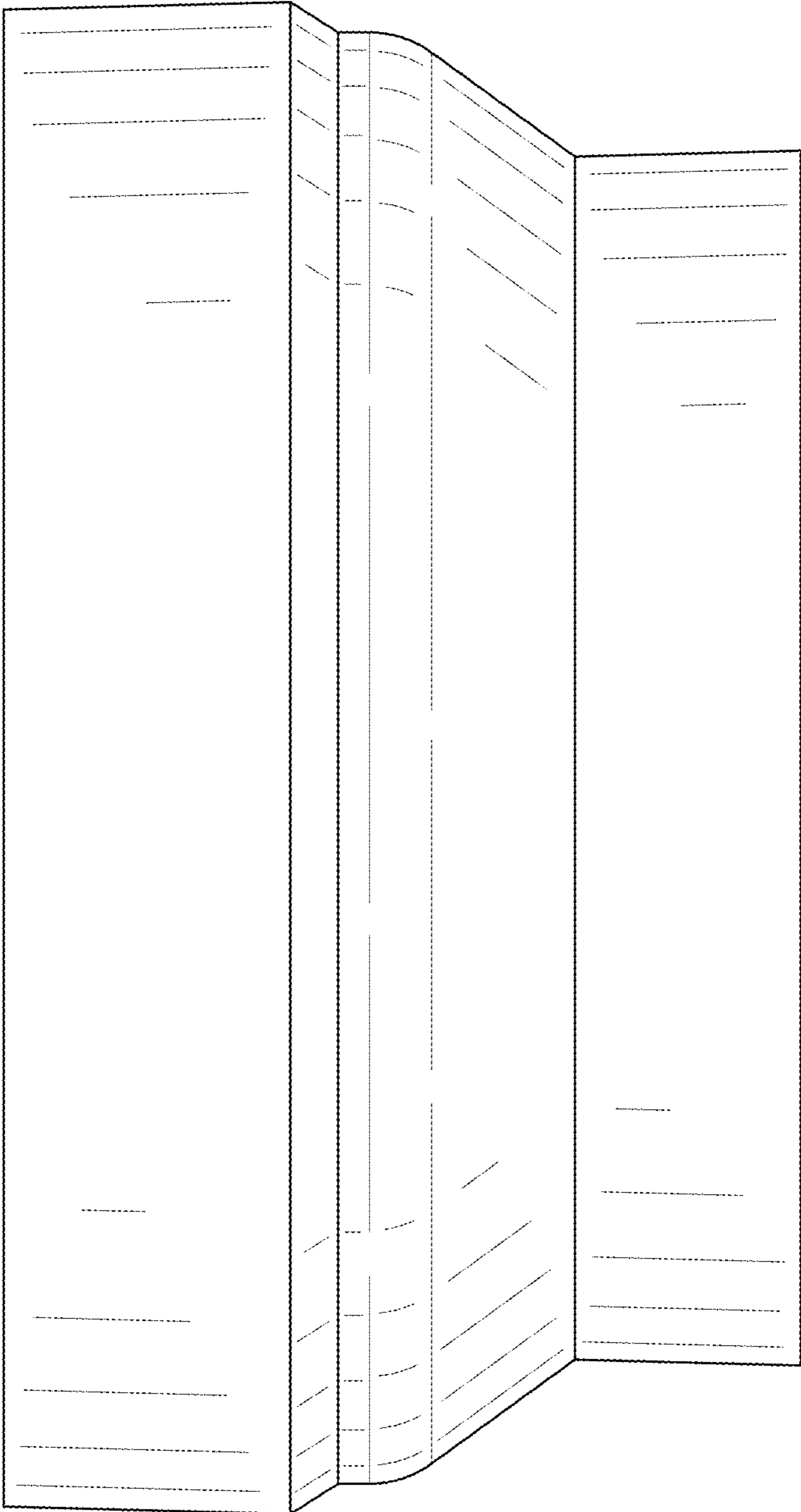


FIG. 4

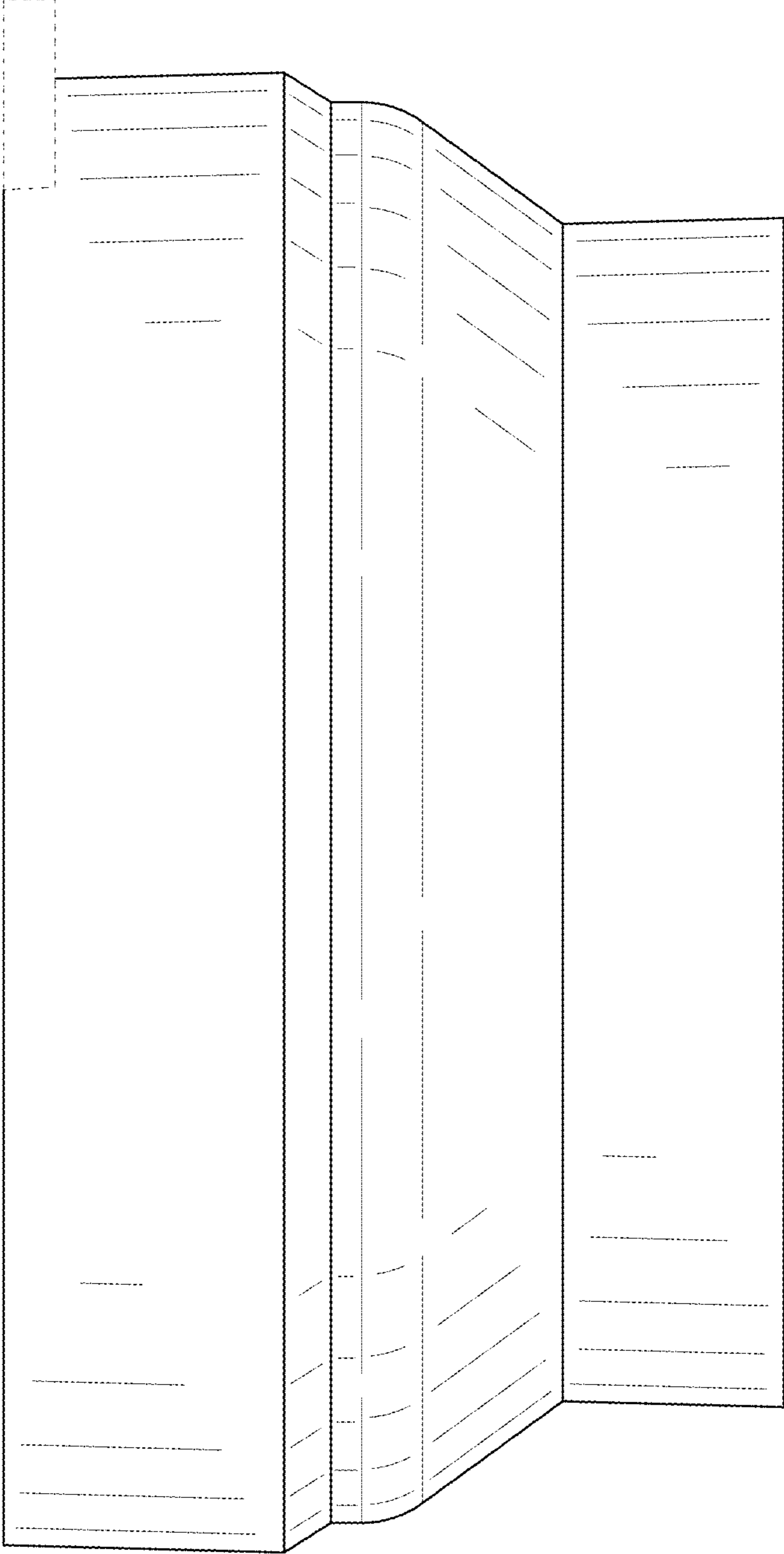


FIG. 5

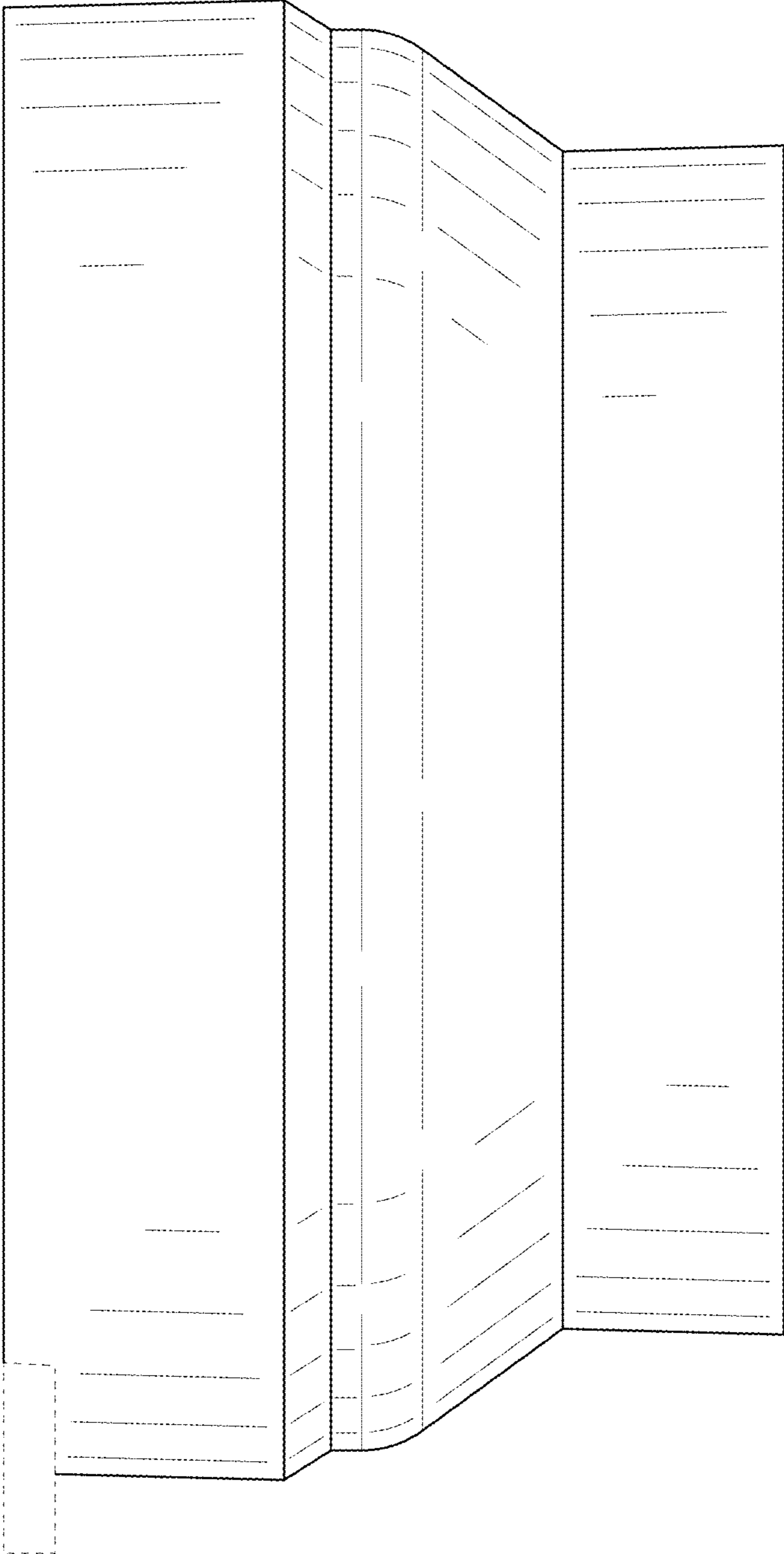


FIG. 6

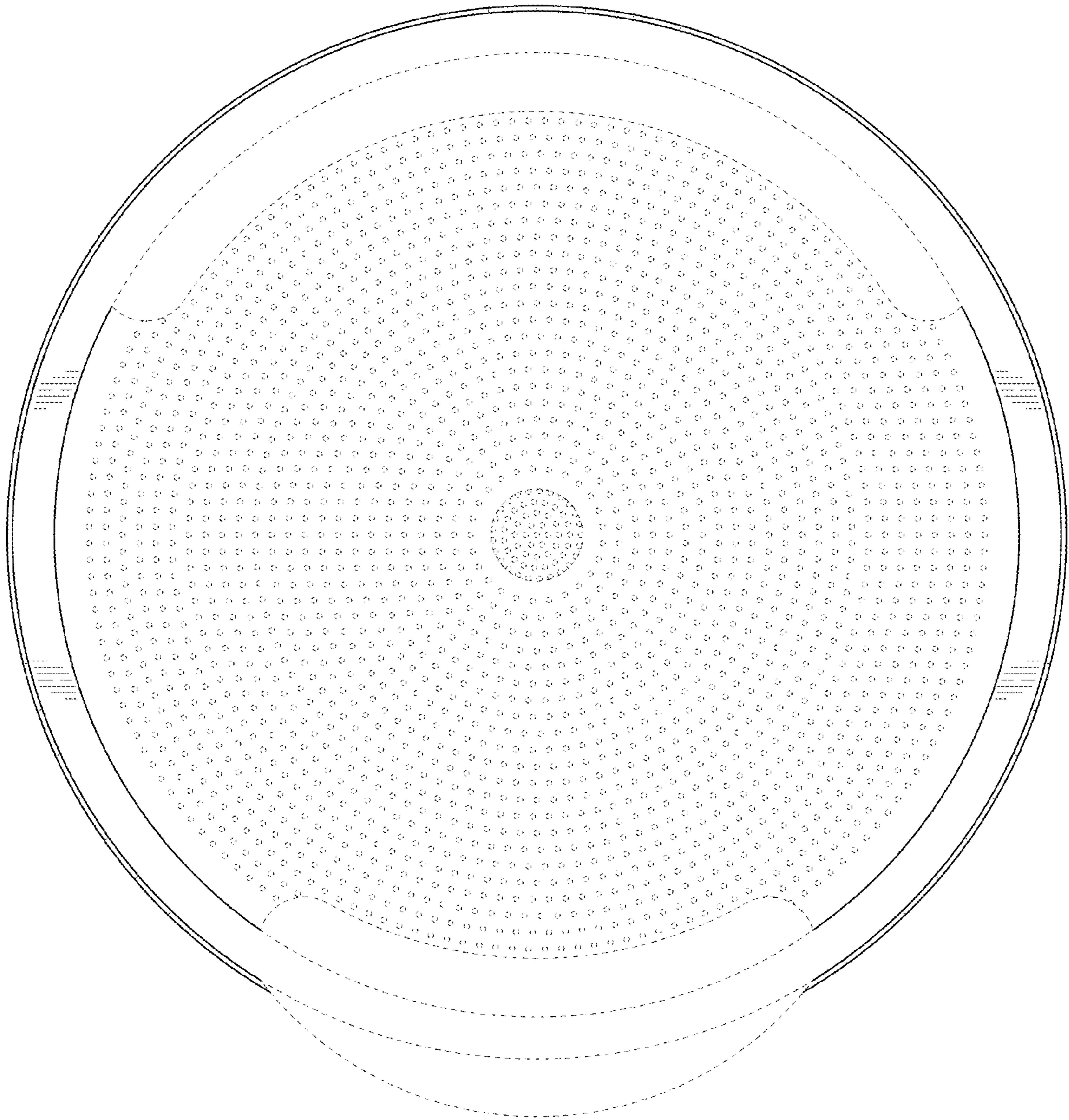


FIG. 7

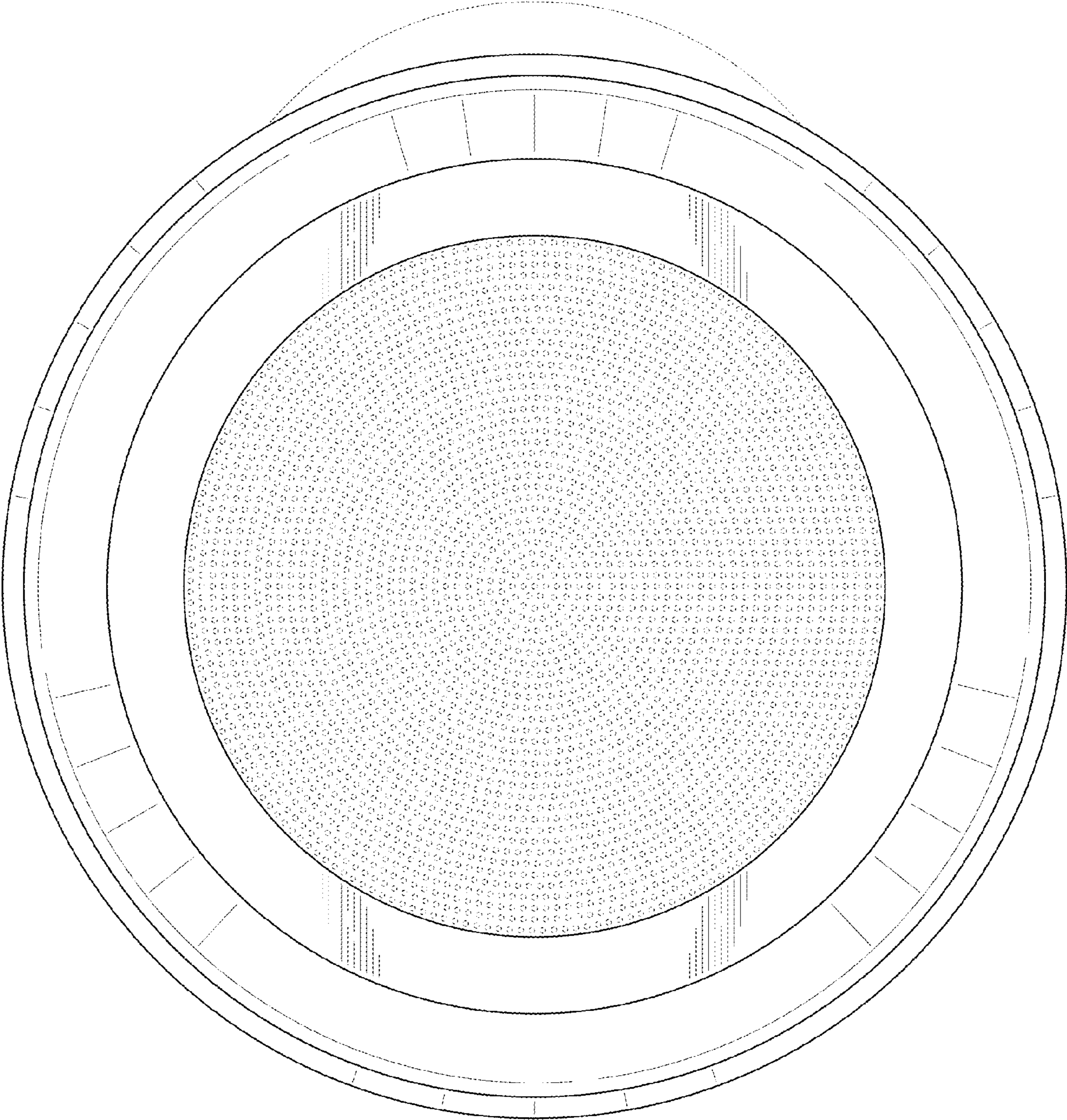


FIG. 8

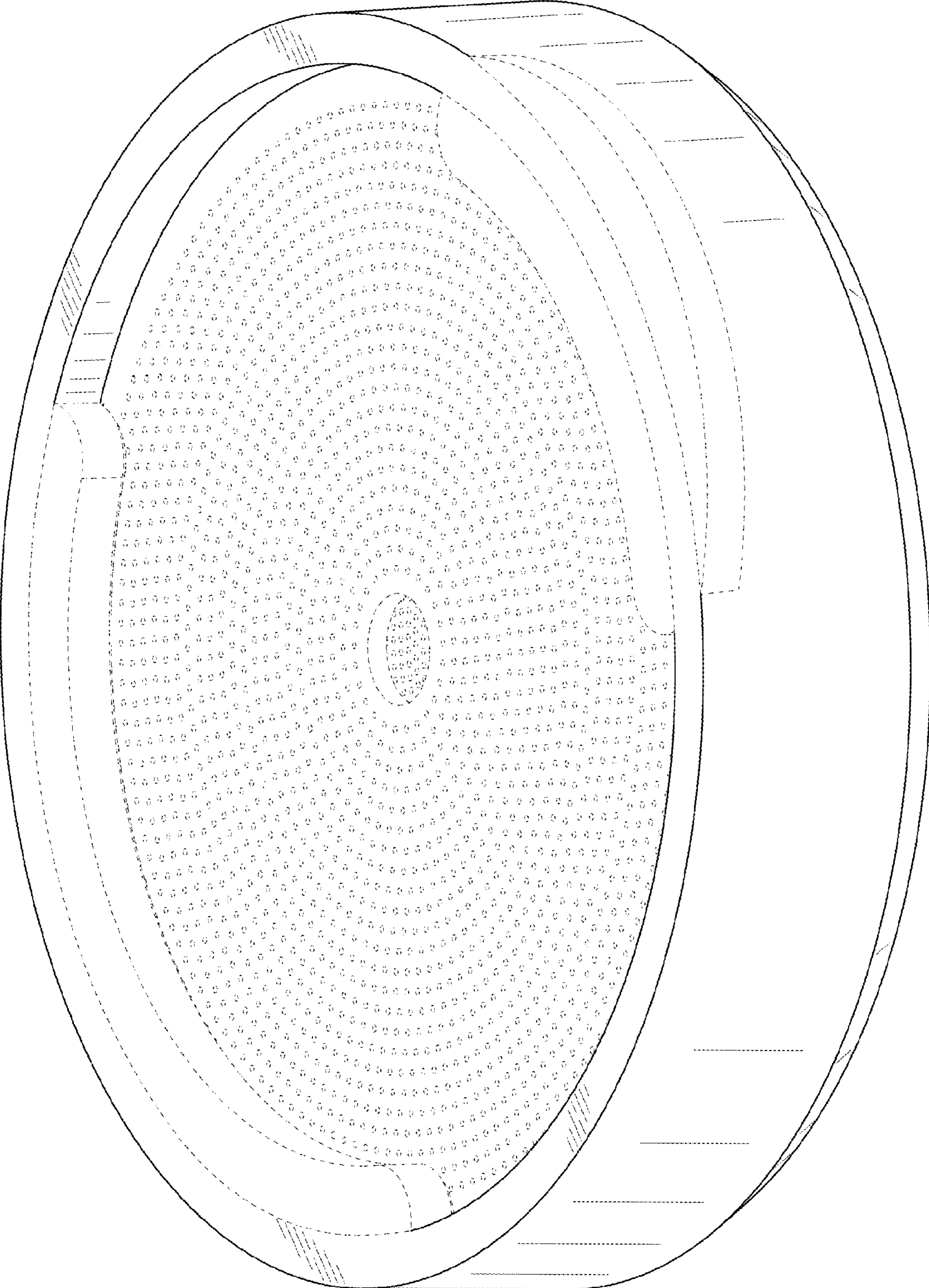


FIG. 9

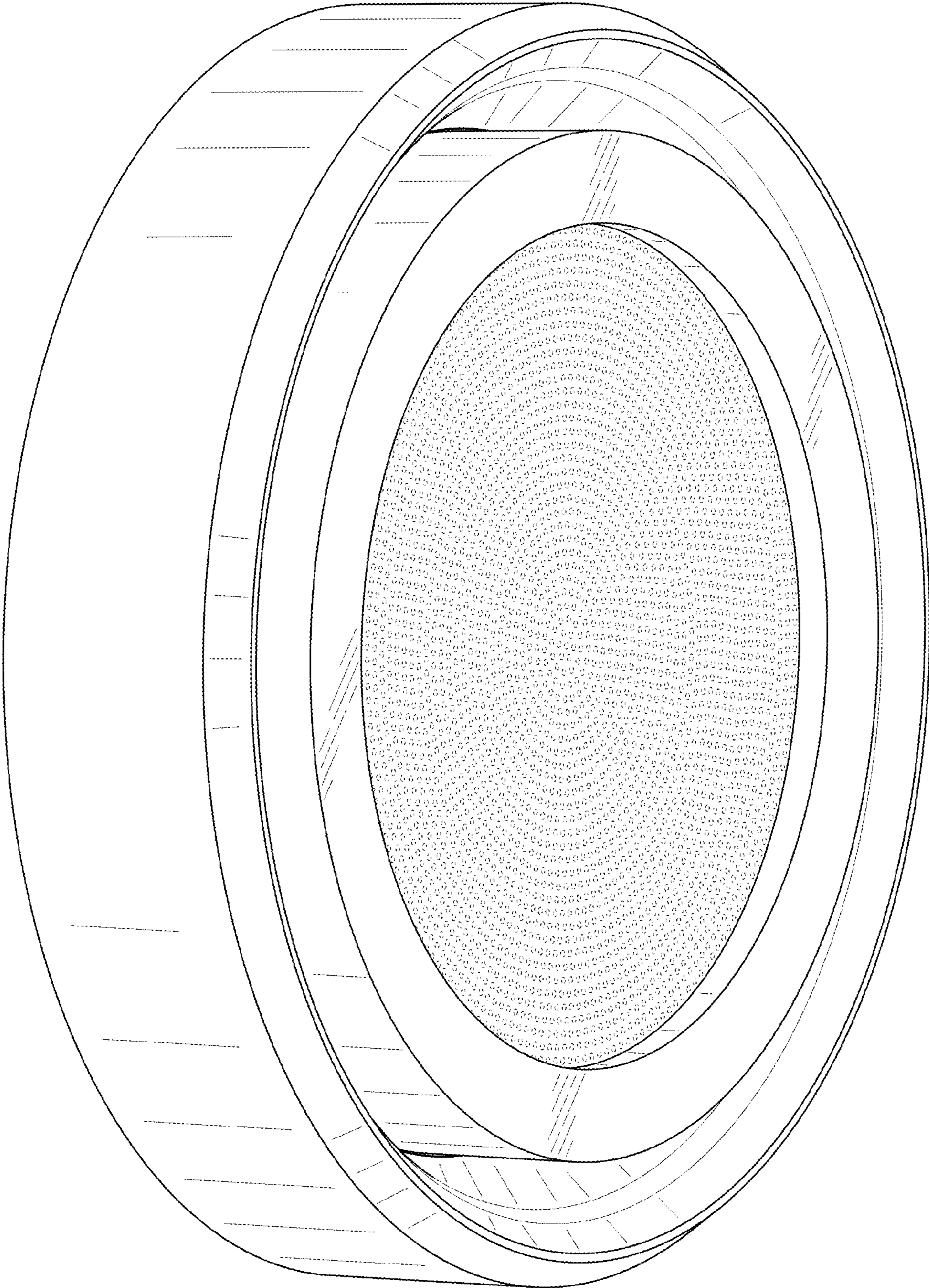


FIG. 10