



US0D1009554S

(12) **United States Design Patent** (10) **Patent No.:** **US D1,009,554 S**
Yang (45) **Date of Patent:** **** Jan. 2, 2024**

(54) **BOTTLE LID**

(71) Applicant: **NINGBO JUFU INTELLIGENT TECHNOLOGY CO., LTD.**, Yuyao (CN)

(72) Inventor: **Guowen Yang**, Nanyang (CN)

(**) Term: **15 Years**

(21) Appl. No.: **29/814,171**

(22) Filed: **Nov. 4, 2021**

(51) **LOC (14) Cl.** **07-02**

(52) **U.S. Cl.**
USPC **D7/392.1**

(58) **Field of Classification Search**
USPC D7/396.2, 300.1, 608, 509, 511, 510, D7/523, 591, 597, 598, 543, 300, 605
CPC .. A47G 19/22; A47G 19/228; A47G 19/2216; A47G 19/2222; A47G 19/2205; A47G 19/2266; A47G 19/2272; A47G 23/0241; A47J 31/4407; A47J 43/02; A47J 43/27; A47J 36/14; A45F 3/16; A45F 3/18; B65D 41/00; B65D 41/02; B65D 41/04; B65D 41/06; B65D 41/26; B65D 41/056; B65D 51/18; B65D 41/0414; B65D 23/102; B65D 1/06

See application file for complete search history.

(56) **References Cited**

U.S. PATENT DOCUMENTS

D878,149 S *	3/2020	Omdahl, II	B65D 39/08
				D9/443
D896,024 S *	9/2020	Wang	D9/449
D920,739 S *	6/2021	Omdahl, II	D7/392.1
D928,558 S *	8/2021	Han	D7/392.1
D943,419 S *	2/2022	Zhang	D9/449
D957,885 S *	7/2022	Zhang	D7/510
D958,592 S *	7/2022	Zhou	B65D 47/0871
				D7/392.1

D974,830 S *	1/2023	Peng	D7/392.1
2020/0148431 A1 *	5/2020	Tsai	B65D 47/0871
2021/0061523 A1 *	3/2021	Bytheway	B65D 39/08

OTHER PUBLICATIONS

Drinco Stainless Steel Water Bottle, available in Amazon.com, date first available Feb. 10, 2021, site visited Jun. 28, 2023, Available from the internet URL: <https://www.amazon.com/DRINCO-Stainless-Insulated-Perfect-Traveling/dp/B08V9D4Y1Q?th=1> (Year: 2021).*
Bubba Trailblazer Stainless Steel Water Bottle, available in Walmart.com, customer review oldest date May 9, 2022, site visited Jun. 28, 2023, Internet URL: <https://www.walmart.com/ip/bubba-Trailblazer-Stainless-Steel-Water-Bottle-Push-Button-Lid-Rubberized-Blue-24-fl-oz/158185418> (Year: 2022).*

* cited by examiner

Primary Examiner — Andrew Kerr
Assistant Examiner — Courtney J Clark-Rasheed
(74) *Attorney, Agent, or Firm* — Daniel M. Cohn; Howard M. Cohn

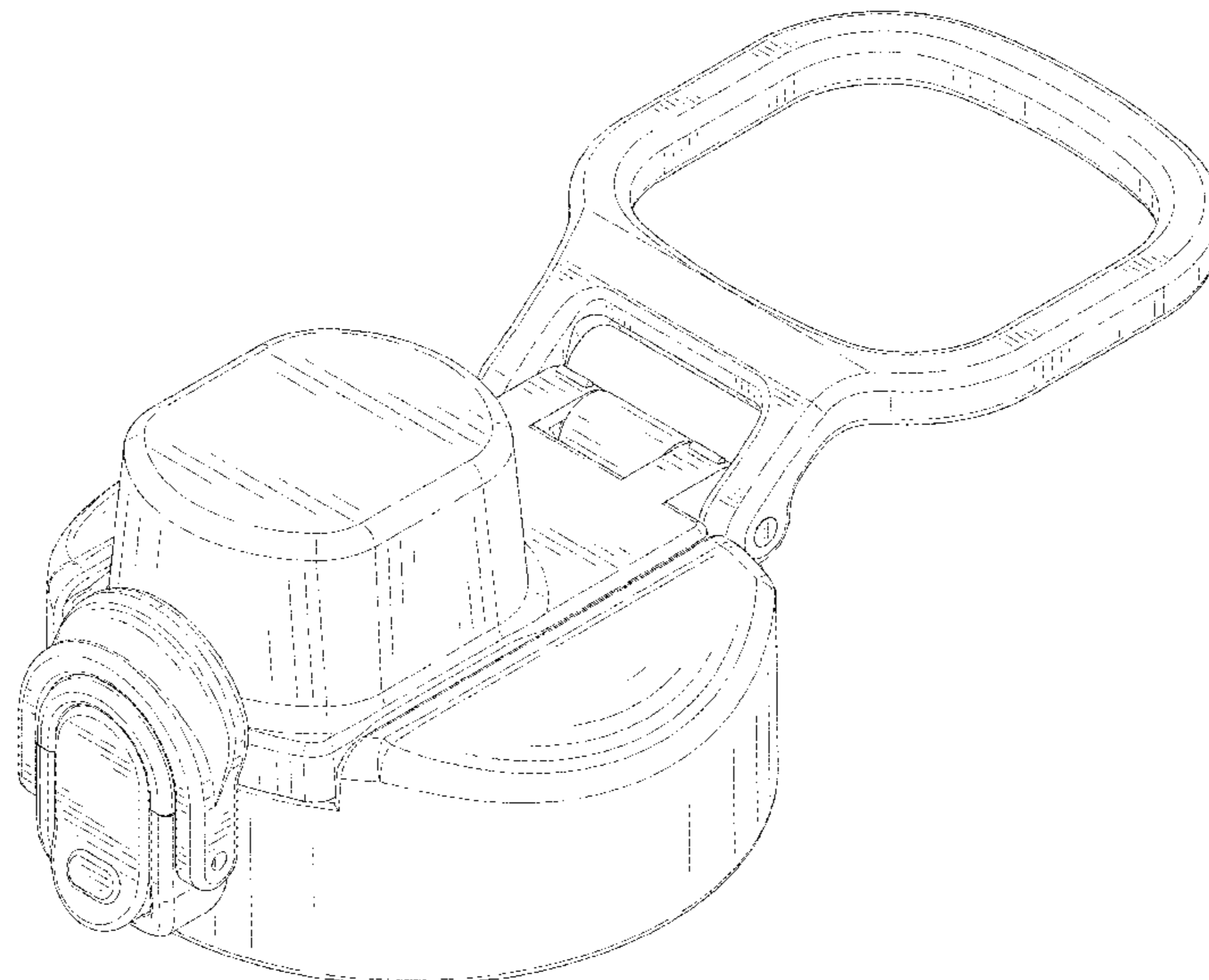
(57) **CLAIM**

The ornamental design for a bottle lid, as shown and described.

DESCRIPTION

FIG. 1 is a perspective view of a bottle lid showing my new design;
FIG. 2 is another perspective view thereof;
FIG. 3 is a front elevational view thereof;
FIG. 4 is a rear elevational view thereof;
FIG. 5 is a left side elevational view thereof;
FIG. 6 is a right side elevational view thereof;
FIG. 7 is a top plan view thereof;
FIG. 8 is a bottom plan view thereof; and,
FIG. 9 is a perspective view of the bottle lid where the bottle lid in a configuration of use.
The broken lines in the drawings depict portions of the bottle lid that form no part of the claimed design.

1 Claim, 9 Drawing Sheets



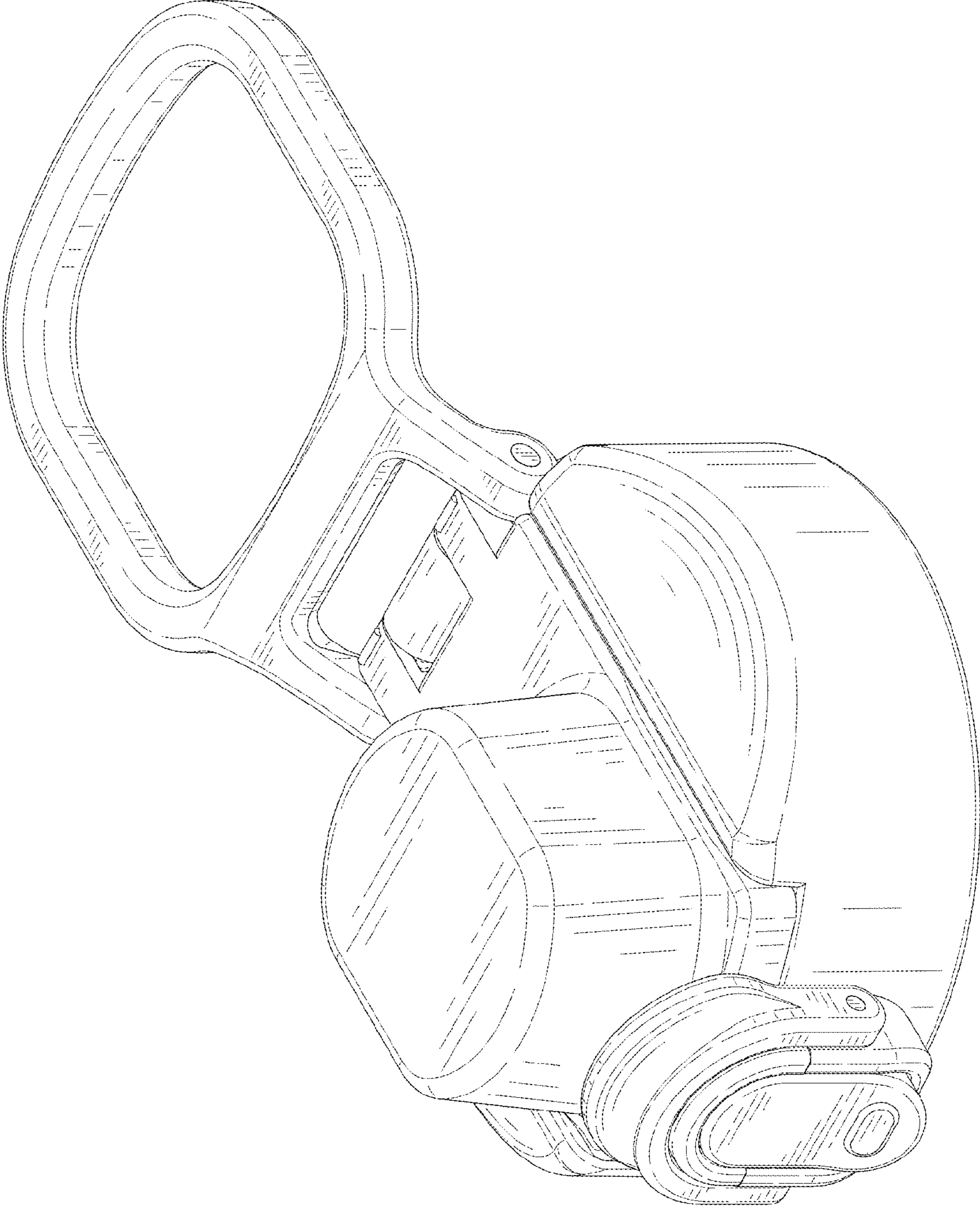


FIG. 1

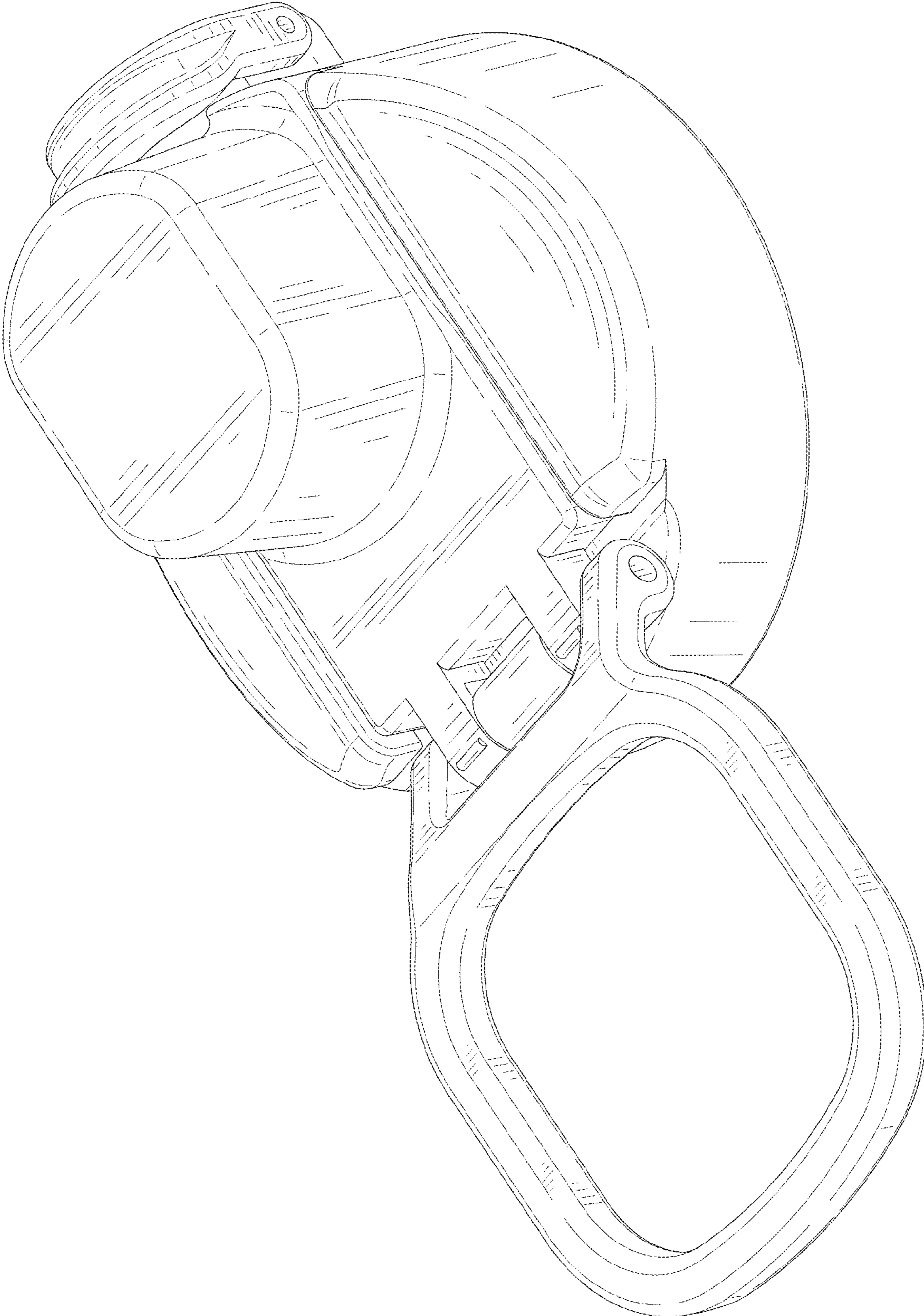


FIG. 2

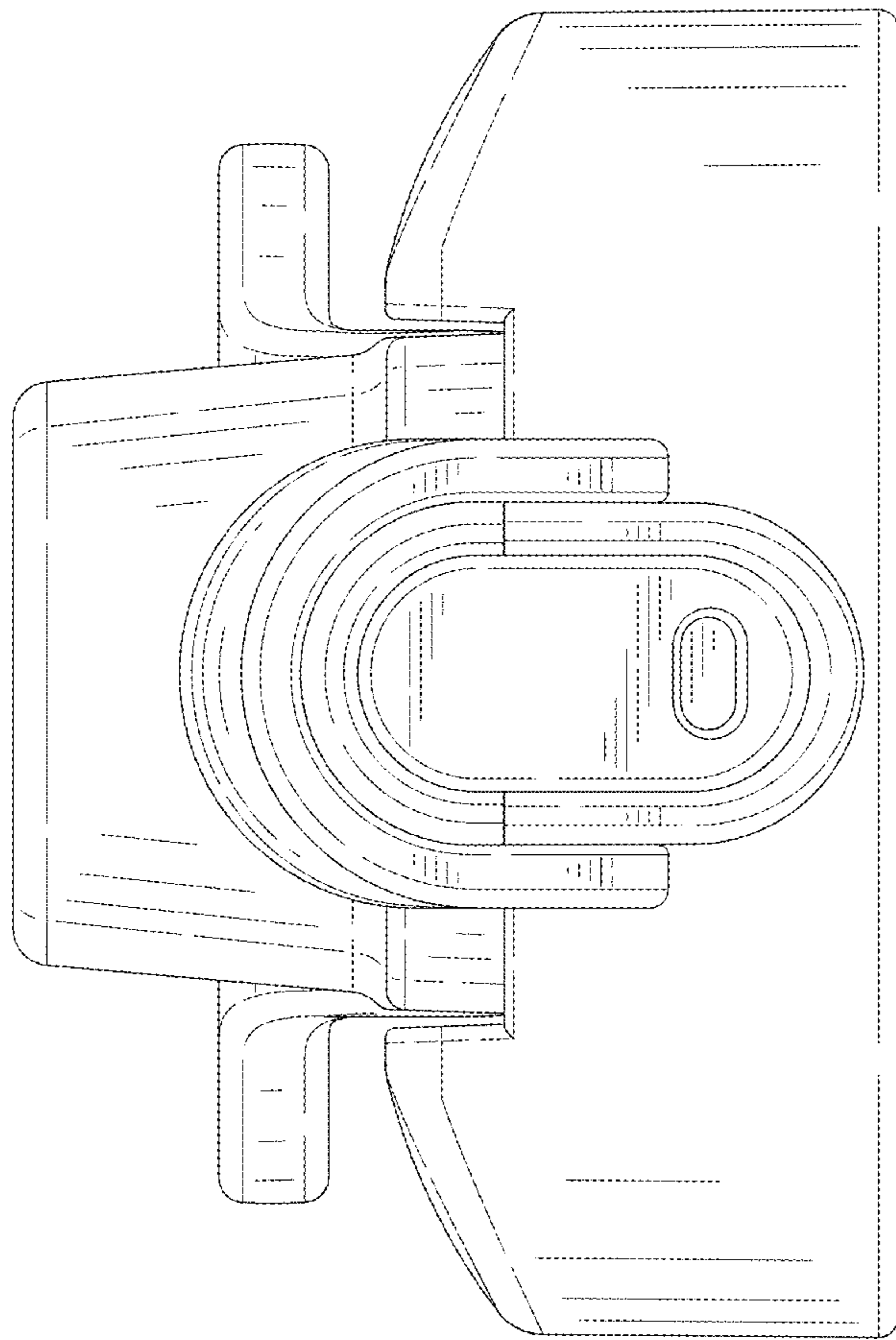


FIG. 3

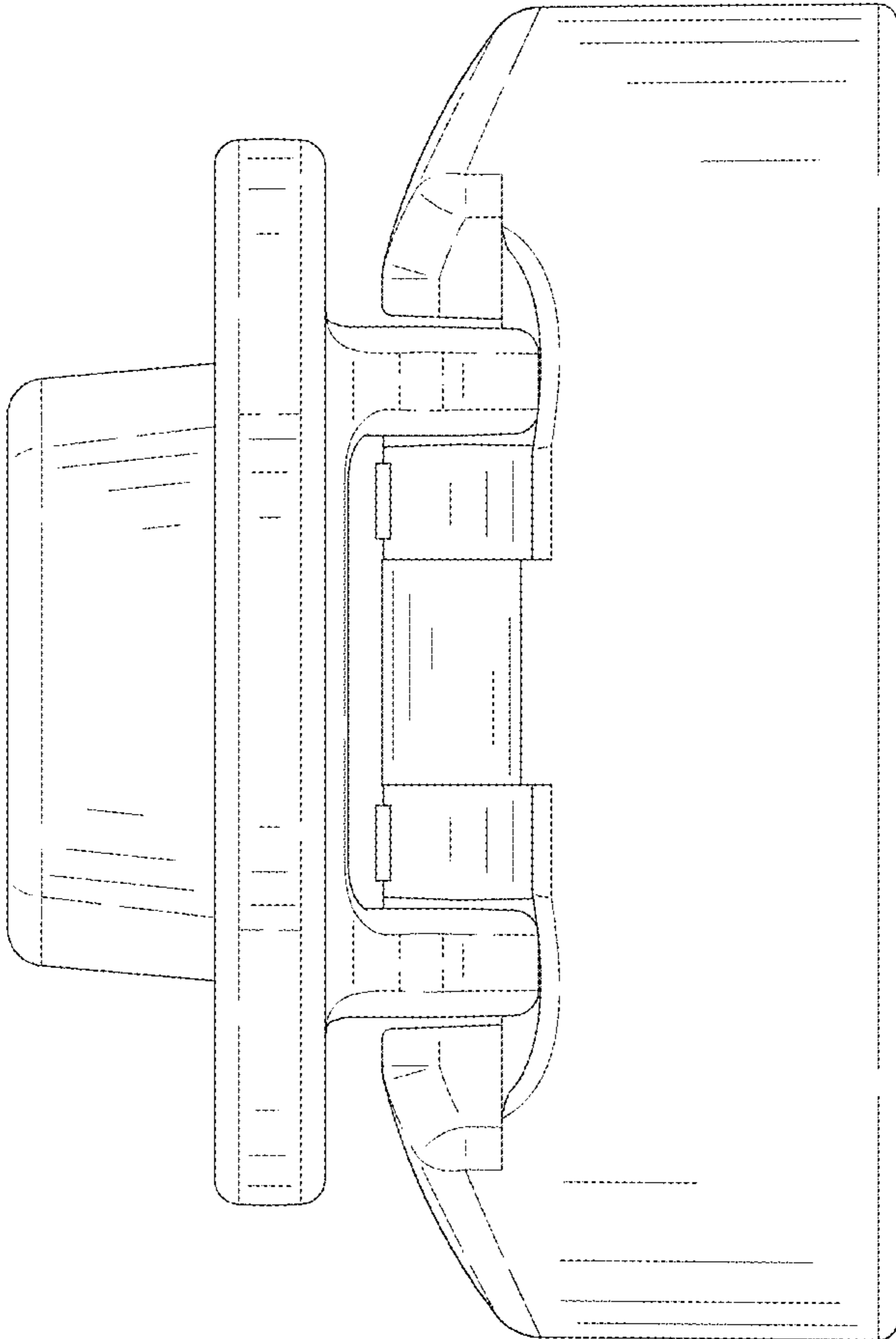


FIG. 4

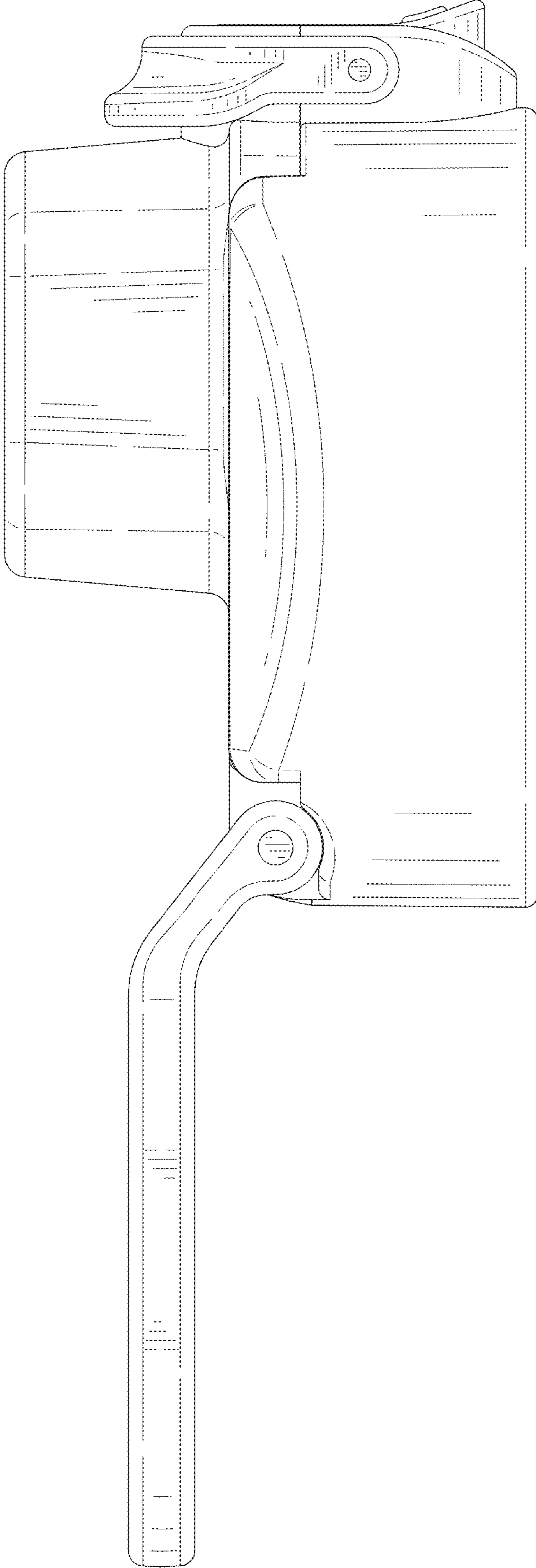


FIG. 5

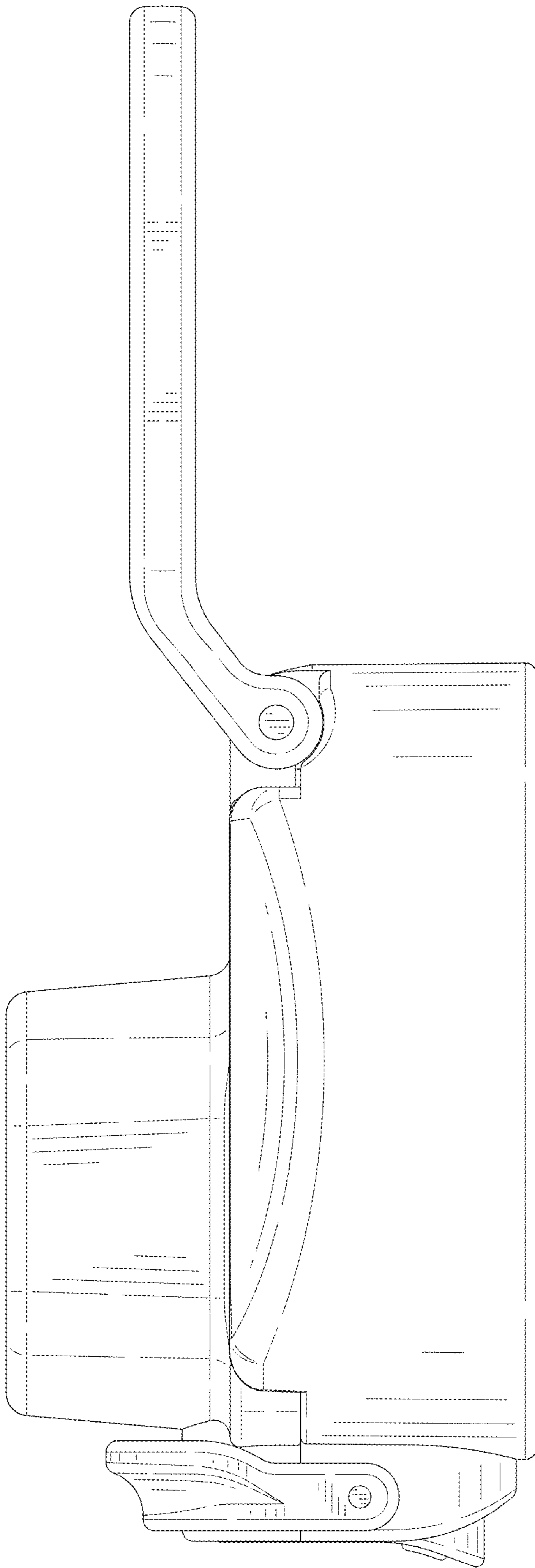


FIG. 6

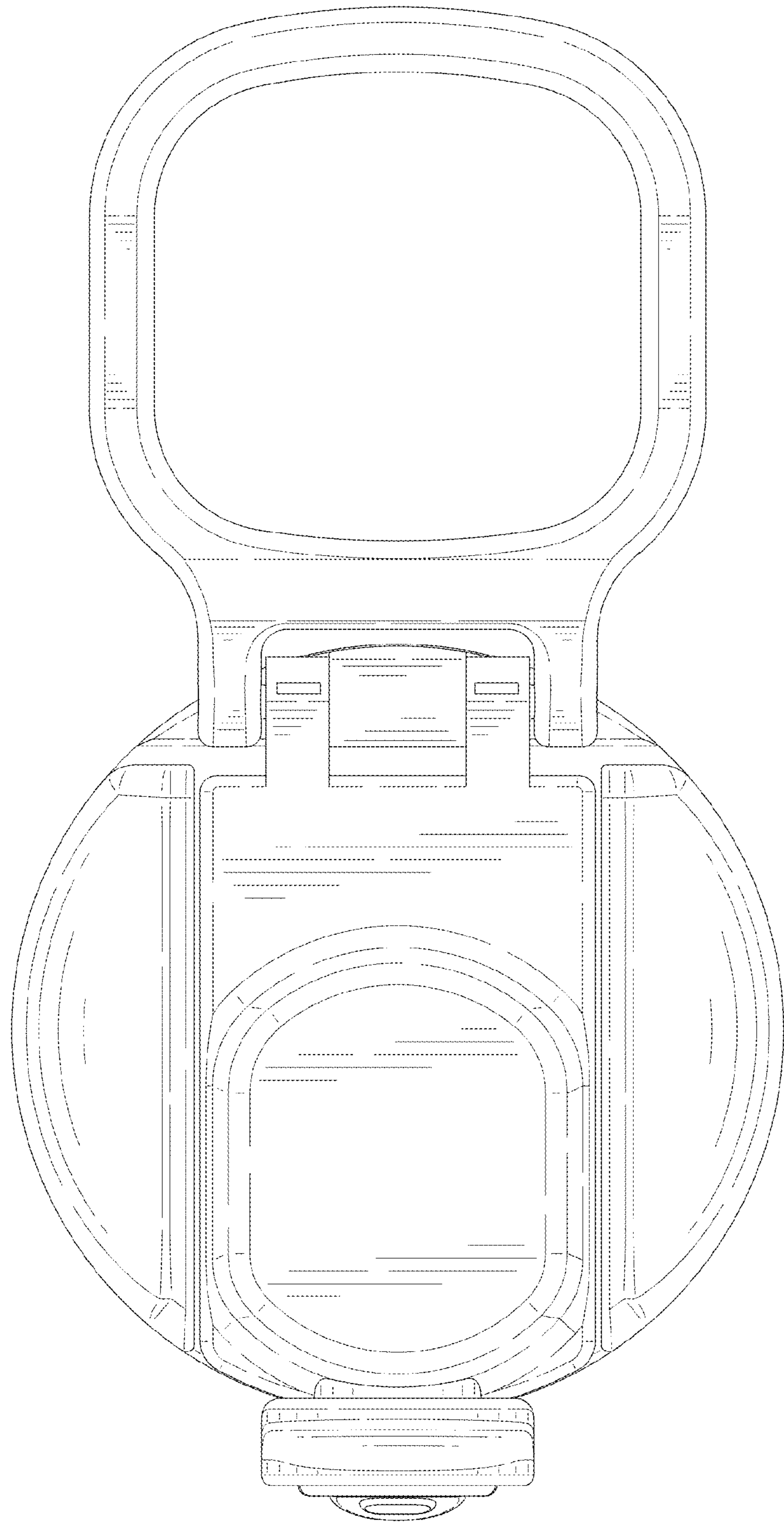


FIG. 7

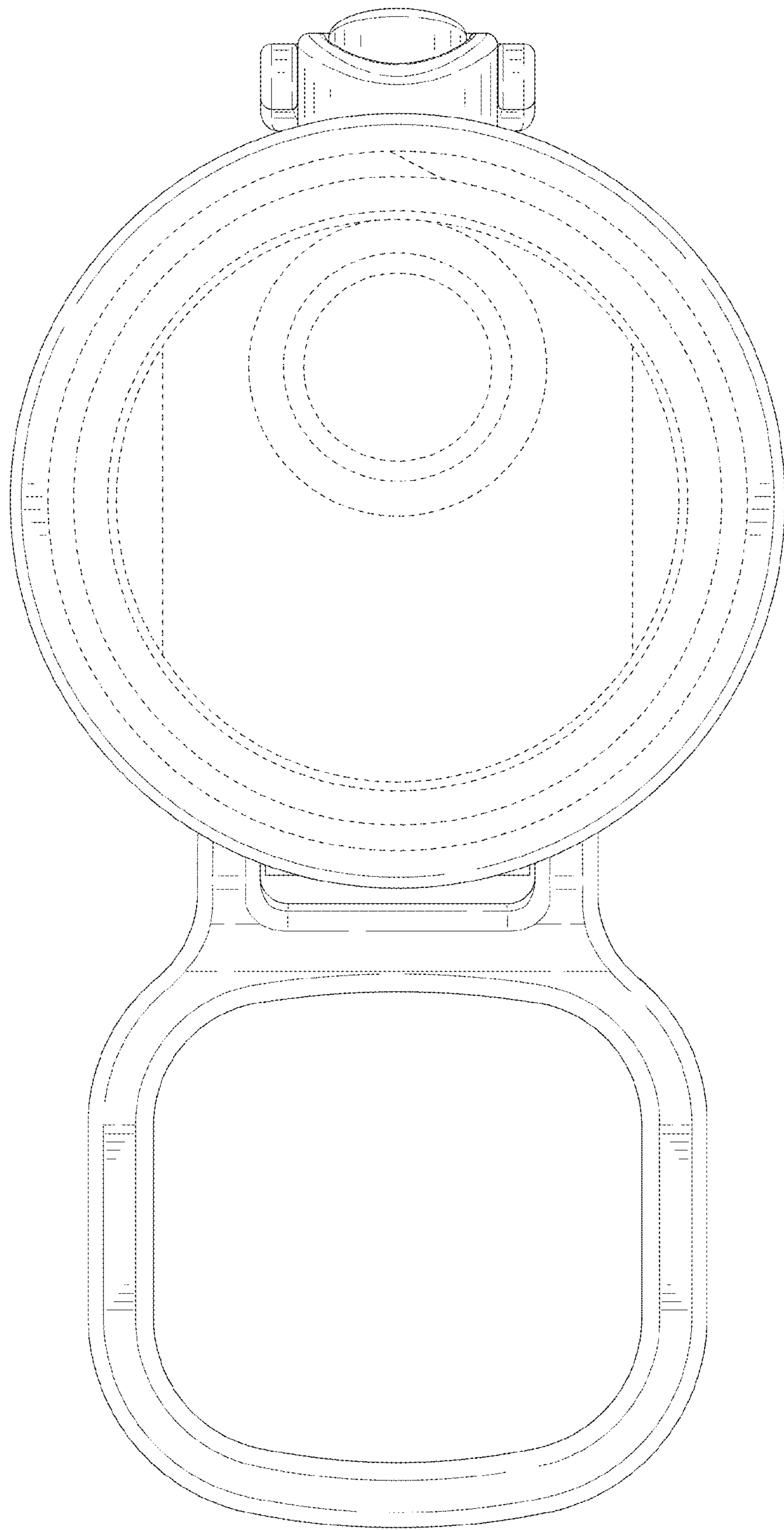


FIG. 8

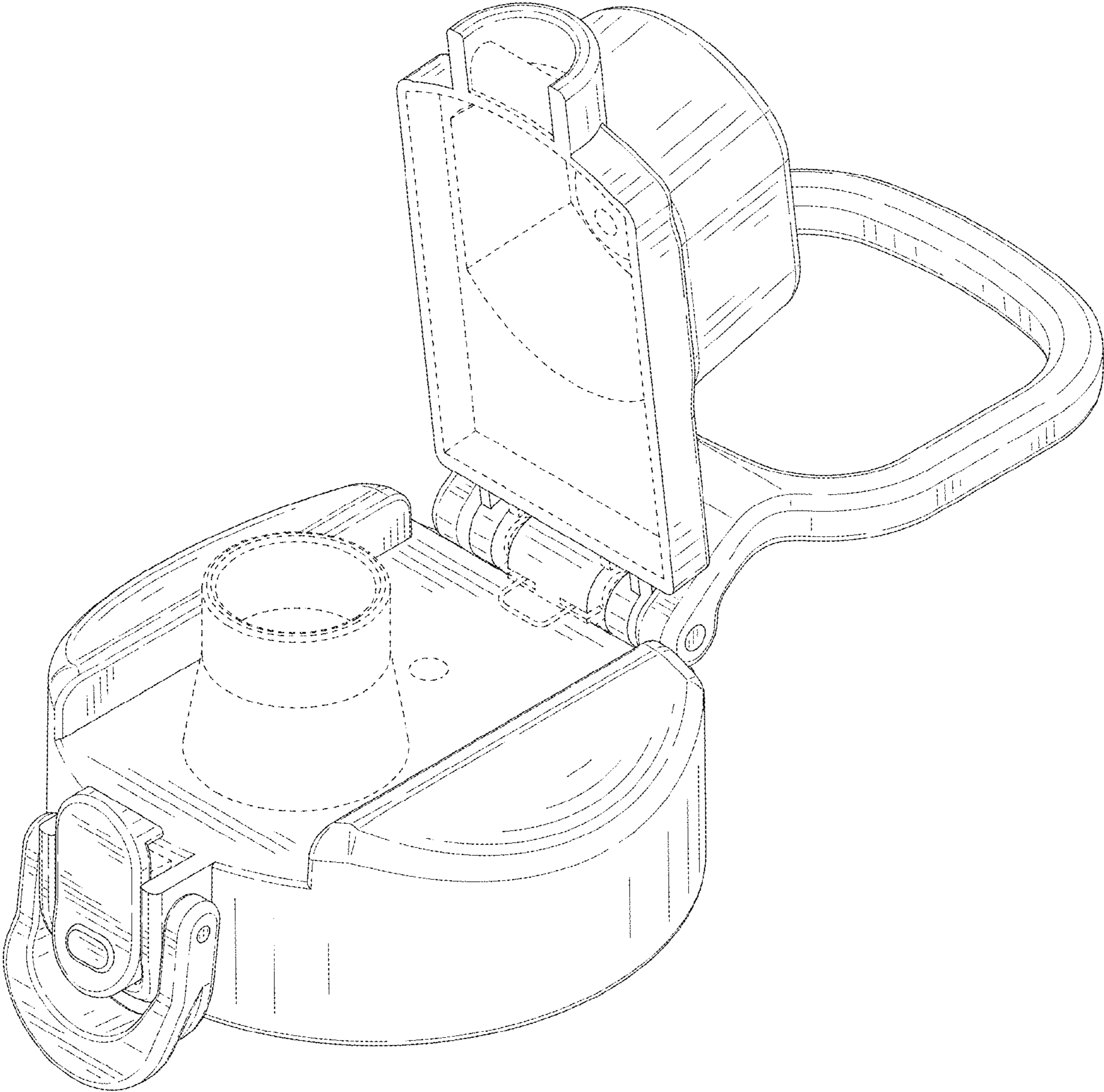


FIG. 9