



US0D1009516S

(12) **United States Design Patent** (10) **Patent No.: US D1,009,516 S**
Porter (45) **Date of Patent: ** Jan. 2, 2024**

(54) **THERAPEUTIC TRAVEL AND SPA PILLOW**

(71) Applicant: **Selena Porter**, Las Vegas, NV (US)

(72) Inventor: **Selena Porter**, Las Vegas, NV (US)

(**) Term: **15 Years**

(21) Appl. No.: **29/700,705**

(22) Filed: **Aug. 5, 2019**

Related U.S. Application Data

(63) Continuation-in-part of application No. 16/530,870, filed on Aug. 2, 2019, now Pat. No. 11,039,691.

(51) **LOC (14) Cl.** **06-09**

(52) **U.S. Cl.**
USPC **D6/601**

(58) **Field of Classification Search**
USPC D6/583, 595, 596, 601, 608
CPC A47G 2009/1018; A47G 9/10; A47G 9/1081; A47G 9/1027; A47K 10/02
See application file for complete search history.

(56) **References Cited**

U.S. PATENT DOCUMENTS

- 3,336,610 A * 8/1967 Arthur A47G 9/0253
5/923
- 5,265,292 A * 11/1993 Underell A47C 4/52
5/419
- 5,533,534 A * 7/1996 Cariello A47K 3/281
211/38
- D381,545 S * 7/1997 Muttick D6/596
- 5,652,983 A * 8/1997 Kraemer A47G 9/10
5/639
- 5,718,010 A * 2/1998 Beier A47G 9/10
5/636
- D403,548 S * 1/1999 Kachmar D6/601
- 5,918,335 A * 7/1999 Han A47D 15/006
5/643
- 8,327,483 B1 * 12/2012 Zamora A47G 9/10
5/636
- D685,211 S * 7/2013 Vega-Woller D6/596

- D707,470 S * 6/2014 George D6/608
 - D708,870 S * 7/2014 George D6/608
 - D713,176 S * 9/2014 Shiheiber D6/608
 - D728,269 S * 5/2015 Brown D6/596
 - 9,427,087 B2 8/2016 Clarke et al.
- (Continued)

FOREIGN PATENT DOCUMENTS

- EP 2688446 B1 11/2014
- WO WO1994008497 A1 4/1994

OTHER PUBLICATIONS

Google Term Search: 'travel pillow', [site visited Jun. 29, 2023]
<URL: https://www.google.com/search?rlz=1C1GCEB_enUS799US799&sxsrf=APwXEddr5_65X3v4P9wYjhXWwjTrGtQjg:1687997928708&q=travel+pillow&tbm=isch&sa=X&ved=2ahUKewjS9K-nmuf_AhXxFIKFHSObAgYQ0pQJegQIDRAB&biw=1200&bih=1777&dpr=1> (Year: 2023).*

(Continued)

Primary Examiner — Sanjeev Paul

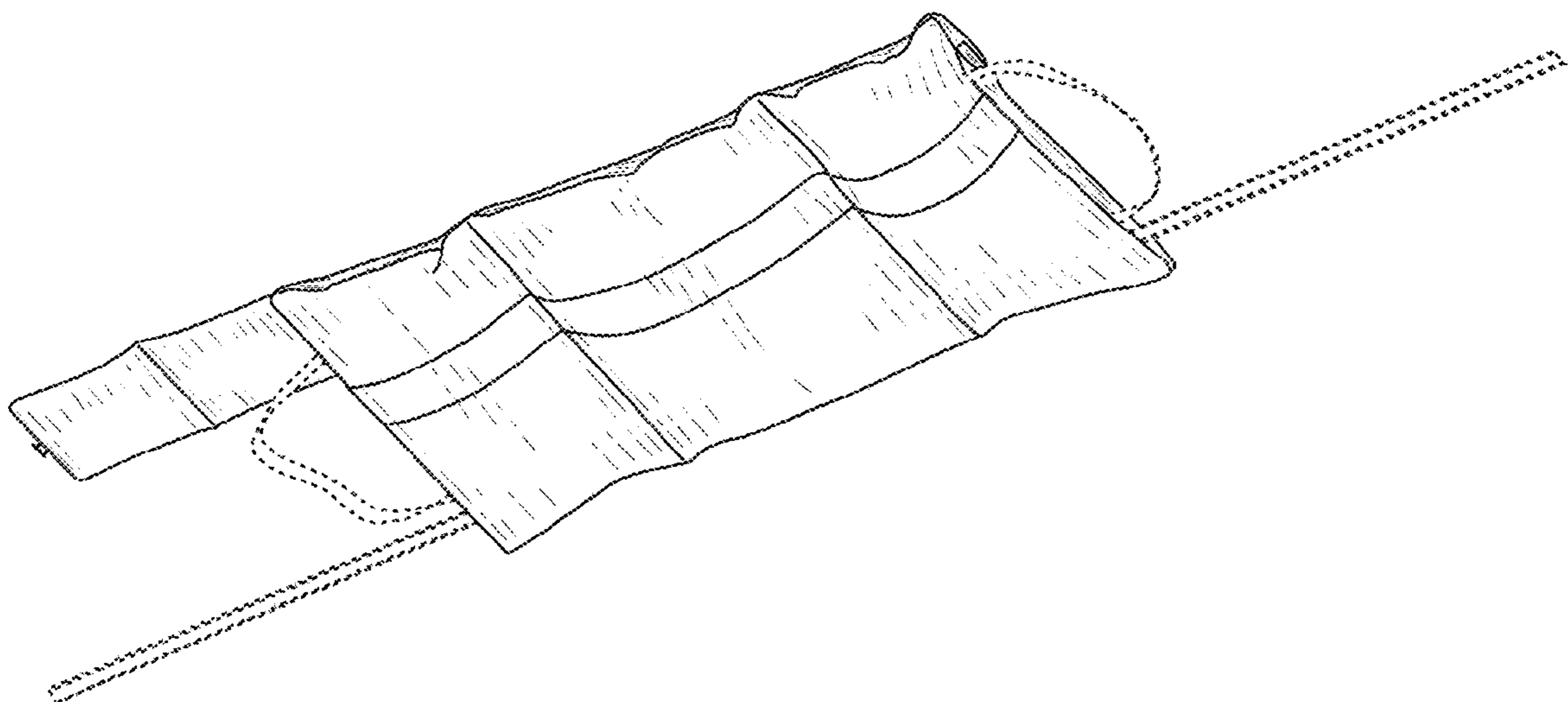
(57) **CLAIM**

The ornamental design for a therapeutic travel and spa pillow, as shown and described.

DESCRIPTION

FIG. 1 is a top front perspective view of a therapeutic travel and spa pillow showing my design.
FIG. 2 is a bottom rear perspective view thereof;
FIG. 3 is an enlarged left elevational view thereof;
FIG. 4 is an enlarged right elevational view thereof;
FIG. 5 is a front elevational view thereof;
FIG. 6 is a rear elevational view thereof;
FIG. 7 is a top plan view thereof; and,
FIG. 8 is a bottom plan view thereof.
The broken line showing handles and straps is included for the purpose of illustrating environmental structure and forms no part of the claimed design.

1 Claim, 8 Drawing Sheets



(56)

References Cited

U.S. PATENT DOCUMENTS

D766,018 S * 9/2016 Coward D6/608
 9,737,178 B1 * 8/2017 Crawford A47K 10/02
 D807,665 S * 1/2018 Vega-Woller D6/596
 9,968,197 B2 5/2018 Wong
 D875,429 S * 2/2020 Theodossiou D6/601
 D898,426 S * 10/2020 Hayes D6/601
 D907,399 S * 1/2021 Pavlin D6/601
 D919,334 S * 5/2021 Beamen D6/608
 D932,800 S * 10/2021 Kristiadi D6/596
 D933,399 S * 10/2021 Roussel D6/608
 11,445,766 B1 * 9/2022 Vandal A41D 31/125
 11,633,075 B1 * 4/2023 Woodley A47K 10/02
 34/333
 2003/0192121 A1 * 10/2003 Fleming A47C 31/007
 5/722
 2005/0204501 A1 * 9/2005 Golec A47K 10/02
 15/209.1
 2006/0059626 A1 * 3/2006 Greenleaf A47G 9/10
 5/636
 2006/0075562 A1 * 4/2006 DiGirolamo A47G 9/10
 5/636
 2008/0028529 A1 2/2008 Abell
 2008/0028530 A1 * 2/2008 Hao A47G 9/10
 5/636
 2011/0088165 A1 * 4/2011 Cruz A45F 4/06
 5/485
 2012/0222218 A1 9/2012 Davis et al.
 2013/0125307 A1 * 5/2013 Margalit A47K 10/02
 5/417

2015/0238055 A1 * 8/2015 Manno A47K 10/02
 34/95.2
 2016/0058218 A1 * 3/2016 Yoshifusa B32B 15/00
 428/12
 2017/0202405 A1 * 7/2017 Moravsky A47K 7/022
 2017/0273515 A1 * 9/2017 Oladeji A47K 10/02
 2017/0340030 A1 * 11/2017 Campanelli A41D 13/082
 2018/0184858 A1 * 7/2018 Kasten A63B 71/00
 2019/0328182 A1 * 10/2019 Suida A47K 7/03
 2022/0071417 A1 * 3/2022 Baugh A47G 9/10
 2022/0211152 A1 * 7/2022 Woodman A45C 9/00
 2023/0136783 A1 * 5/2023 Suez A41F 9/00
 2/300

OTHER PUBLICATIONS

Google Term Search: 'spa pillow', [site visited Jun. 29, 2023]
 <URL: https://www.google.com/search?sxsrf=APwXEddzr90KYMUI3QtGEXSDIprw90dSQ:1687997645409&q=spa+pillow&tbm=isch&sa=X&ved=2ahUKEwiM2qSgmef_AhUxVTUKHW7MDXYQ0pQJegQICRAB&biw=1920&bih=1057&dpr=1> (Year: 2023).*

Google Term Search: 'Therapeutic Travel and Spa Pillow', [site visited Jun. 29, 2023] <URL:https://www.google.com/search?sxsrf=APwXEddCj_shFLd4lkuO9raCSGpOH506fQ:1688015281794&q=Therapeutic+Travel+and+Spa+Pillow&tbm=isch&sa=X&ved=2ahUKEwj_ovz52uf_AhUkFlkFHejvC9gQ0pQJegQIRhAB&biw=1200&bih=1777&dpr=1> (Year: 2023).*

* cited by examiner

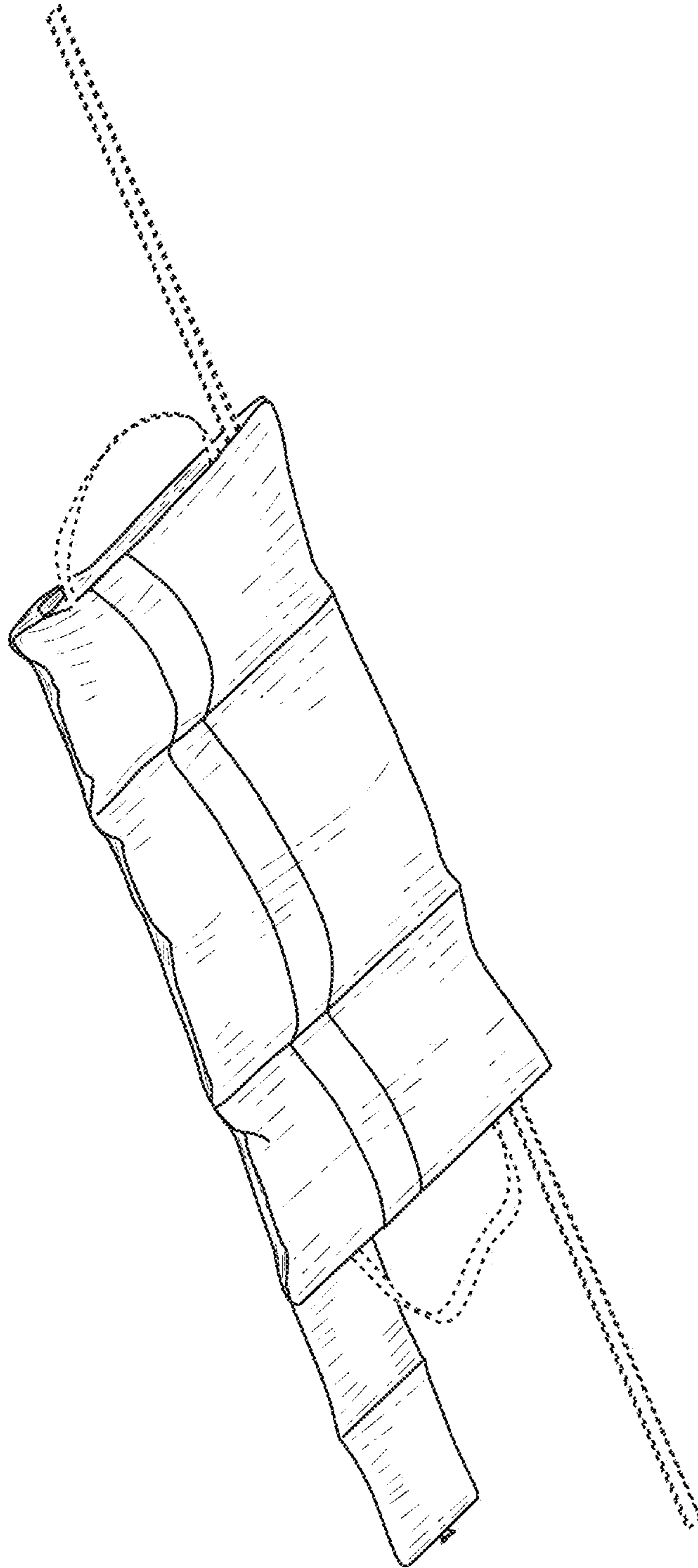


FIG. 1

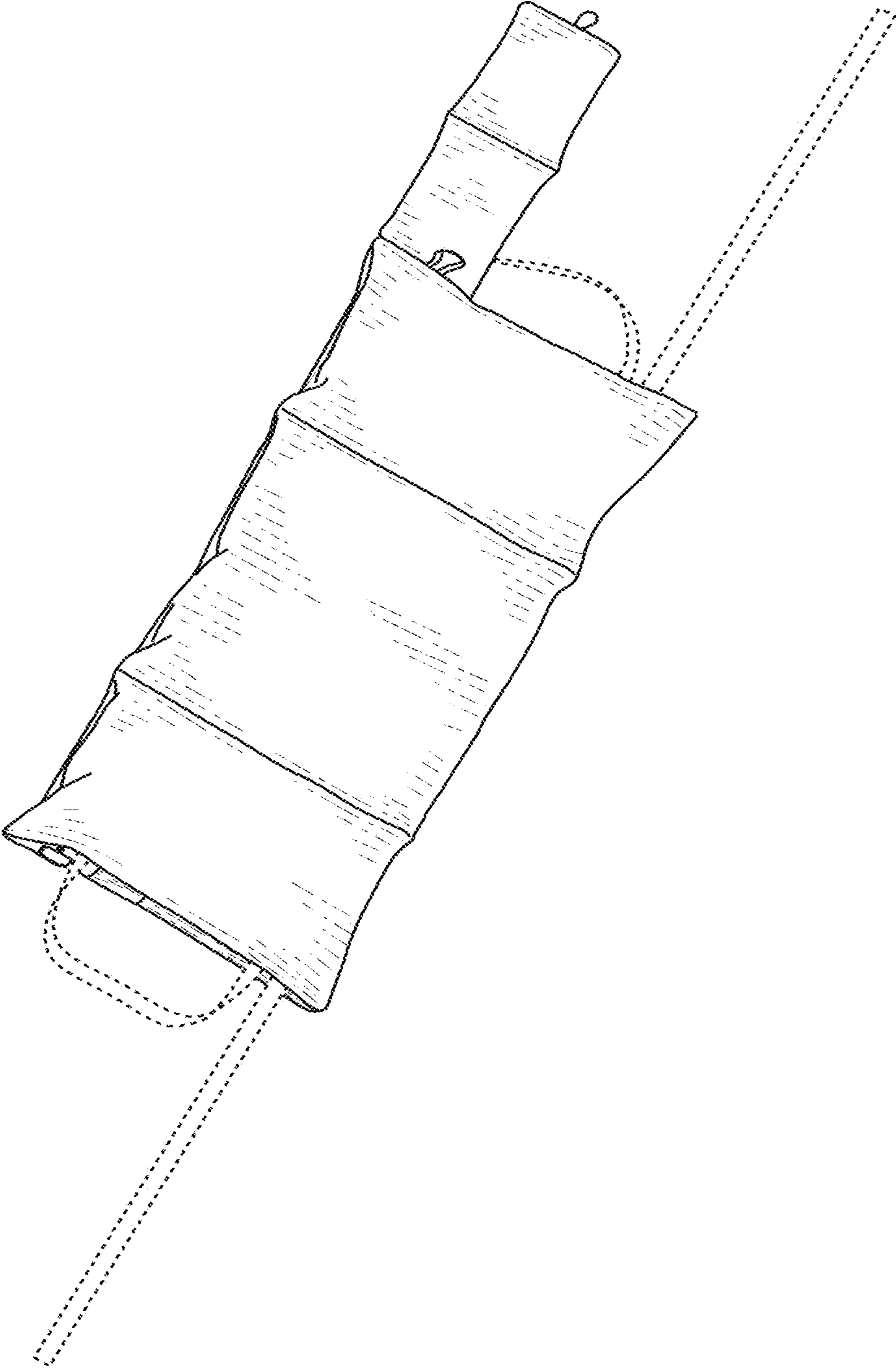


FIG. 2

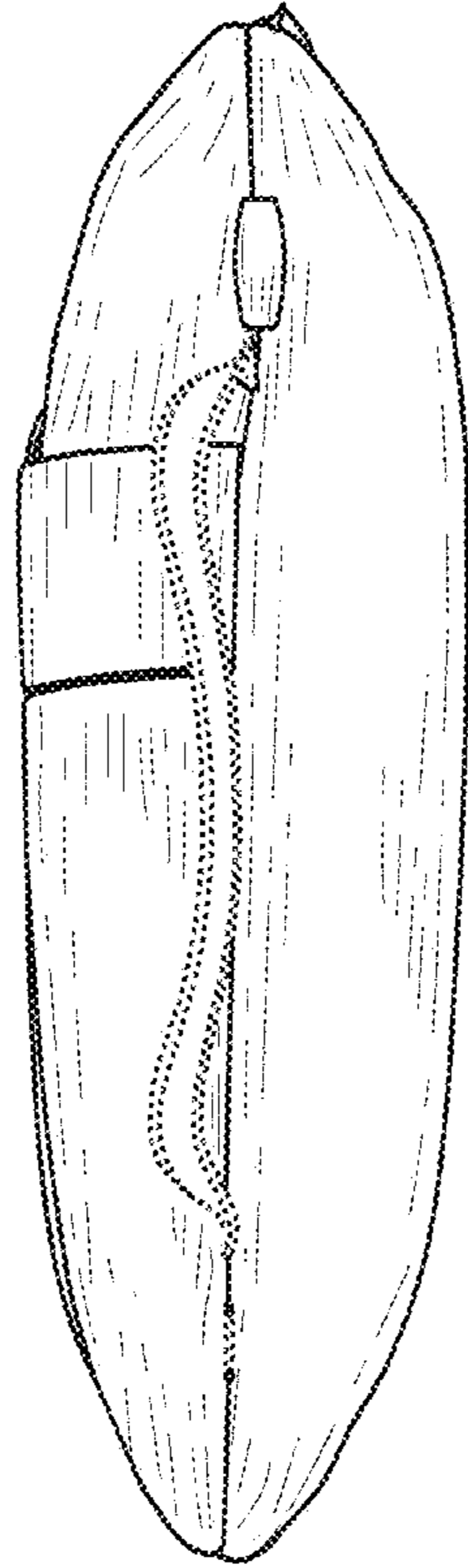


FIG. 3

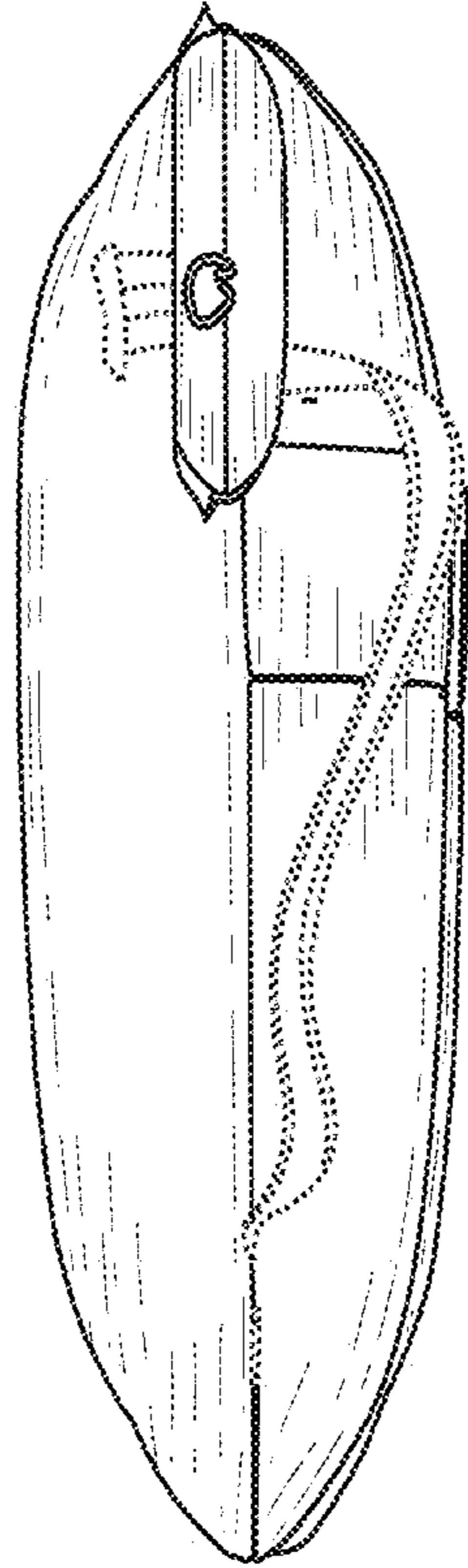


FIG. 4

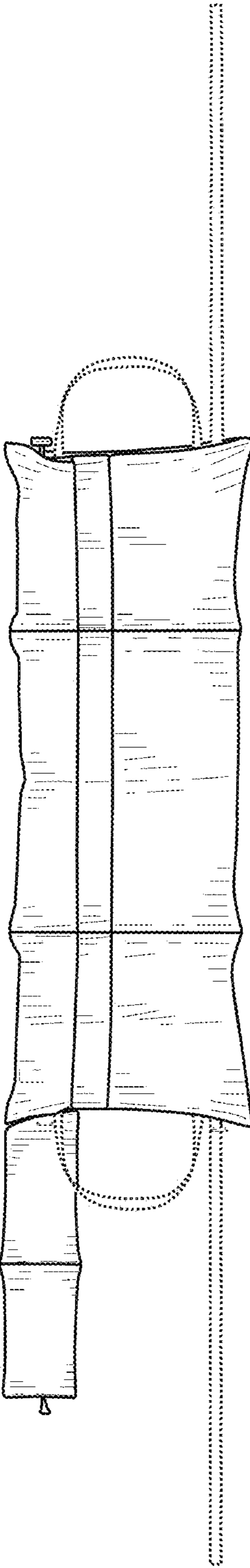


FIG. 5

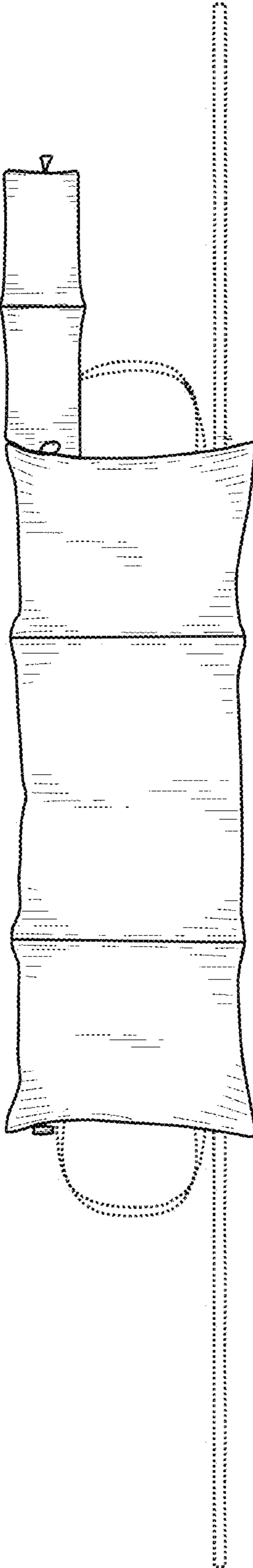


FIG. 6

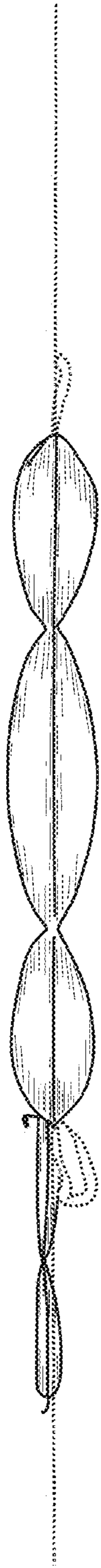


FIG. 7



FIG. 8