



US0D1009204S

(12) **United States Design Patent**
Hunter

(10) **Patent No.:** **US D1,009,204 S**

(45) **Date of Patent:** **** Dec. 26, 2023**

(54) **WATER RIDE**

(71) Applicant: **ProSlide Technology Inc.**, Ottawa (CA)

(72) Inventor: **Richard D. Hunter**, Ottawa (CA)

(73) Assignee: **ProSlide Technology Inc.**, Ottawa (CA)

(**) Term: **15 Years**

(21) Appl. No.: **29/826,187**

(22) Filed: **Feb. 10, 2022**

Related U.S. Application Data

(62) Division of application No. 29/711,411, filed on Oct. 31, 2019, now abandoned.

(30) **Foreign Application Priority Data**

Sep. 12, 2019 (CA) CA 189801

(51) **LOC (14) Cl.** **21-03**

(52) **U.S. Cl.**
USPC **D21/819**

(58) **Field of Classification Search**
USPC D21/811, 814, 818-821
CPC A63G 21/00-21/22
See application file for complete search history.

(56) **References Cited**

U.S. PATENT DOCUMENTS

- 908,034 A * 12/1908 Pyleck B65G 11/103
193/25 R
- 2,465,187 A * 3/1949 Barrabee A63G 21/02
472/116
- D250,784 S * 1/1979 Dieter 472/116
- 4,379,551 A * 4/1983 Ahrens A63G 21/00
472/116
- D269,104 S * 5/1983 Brown D21/819
- D269,105 S * 5/1983 Brown D21/819

- D269,106 S * 5/1983 Brown D21/819
- D269,107 S * 5/1983 Brown D21/819
- D328,119 S * 7/1992 Matsch D21/821
- D344,317 S * 2/1994 Petersheim D21/821
- D372,065 S * 7/1996 Gilles D21/821

(Continued)

FOREIGN PATENT DOCUMENTS

- HK 1914915-0001 * 9/2019
- HK 1914915-0002 * 9/2019

(Continued)

OTHER PUBLICATIONS

Proslide Technolgy goggle search; google.com; Jun. 22, 2023.*

(Continued)

Primary Examiner — Mitchell I. Siegel

(74) *Attorney, Agent, or Firm* — Finnegan, Henderson, Farabow, Garrett & Dunner, LLP

(57) **CLAIM**

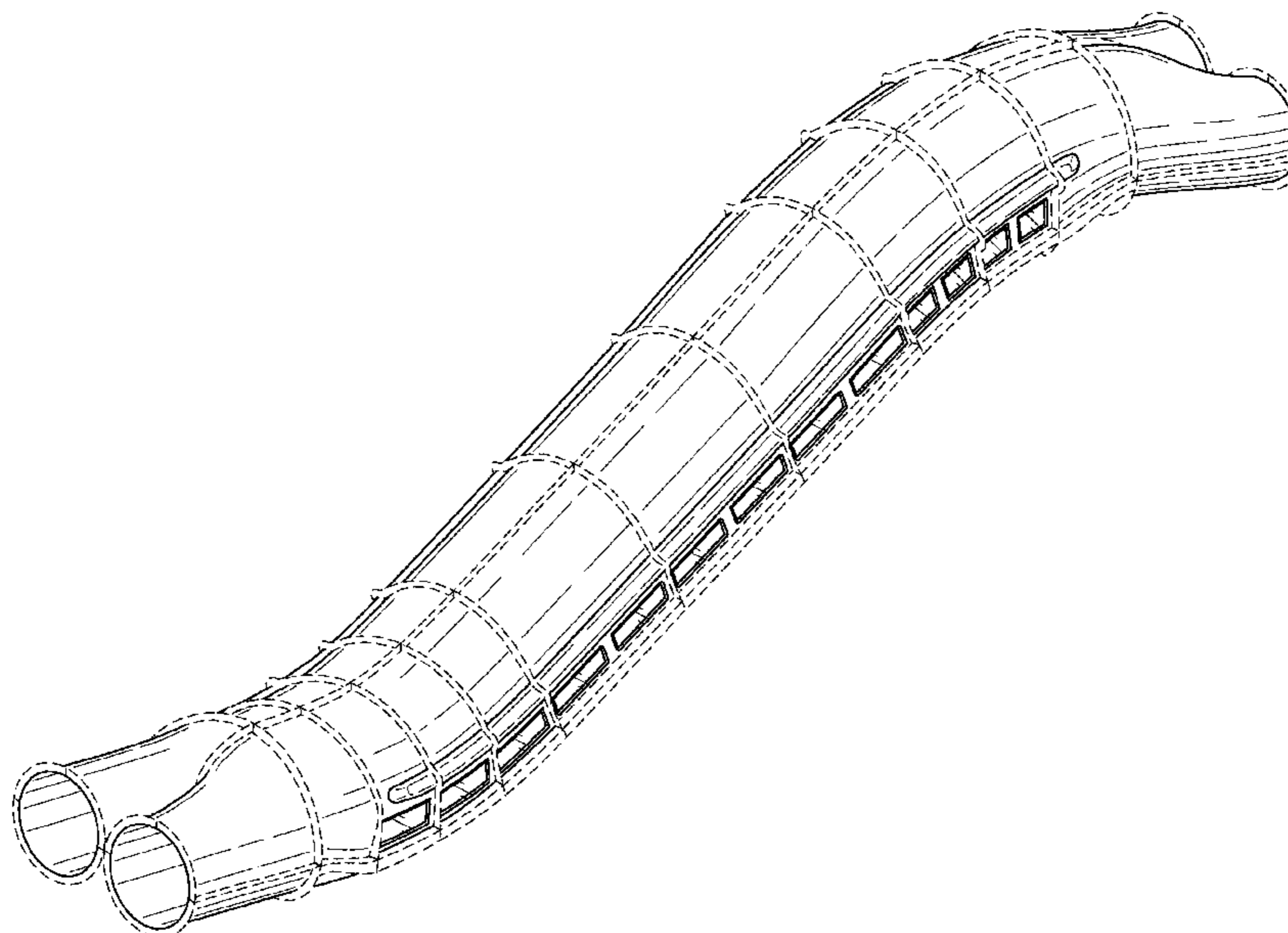
The ornamental design of a water ride, as shown and described.

DESCRIPTION

FIG. 1 is a perspective view of a water ride showing my new design;
FIG. 2 is a front view thereof;
FIG. 3 is a rear view thereof;
FIG. 4 is a right side view thereof;
FIG. 5 is a left side view thereof;
FIG. 6 is a top view thereof; and,
FIG. 7 is a bottom view thereof.

The broken lines shown in the drawings are for the purpose of illustrating portions of the water ride that form no part of the claimed design.

1 Claim, 5 Drawing Sheets



(56)

References Cited

U.S. PATENT DOCUMENTS

5,735,748 A * 4/1998 Meyers A63G 21/18
472/116
7,815,513 B2 * 10/2010 Rieber A63G 21/10
472/116
D629,861 S * 12/2010 Cuttell D21/821
7,854,662 B2 * 12/2010 Braun A63G 21/18
472/117
D637,253 S * 5/2011 Hunter D21/819
D641,823 S * 7/2011 Hunter D21/819
8,430,760 B2 * 4/2013 Brassard A63G 21/18
472/117
D743,497 S * 11/2015 Eroglu D21/818
D758,517 S * 6/2016 Gonzalez D21/818
9,486,711 B2 * 11/2016 Brassard A63G 21/18
D806,816 S * 1/2018 Forbes D21/818
D821,525 S * 6/2018 Green D21/814
10,046,245 B1 * 8/2018 Whincup A63G 31/02
D838,331 S * 1/2019 Ozsoz D21/819
D838,799 S * 1/2019 Ozsoz D21/819
D838,800 S * 1/2019 Ozsoz D21/819
10,166,483 B2 * 1/2019 Brassard A63G 21/18
D855,727 S * 8/2019 Hunter D21/819
D876,564 S * 2/2020 Hunter D21/819
D892,960 S * 8/2020 Hunter D21/819
D901,613 S * 11/2020 Hunter D21/819
D903,804 S * 12/2020 Hunter D21/819
D905,188 S * 12/2020 Hunter D21/819
D919,732 S * 5/2021 Hunter D21/819
D925,685 S * 7/2021 Lahdenpera D21/821
2006/0252563 A1 * 11/2006 Werner A63G 21/18
472/117
2007/0087849 A1 * 4/2007 Henry A63G 3/00
472/117
2007/0087850 A1 * 4/2007 Henry A63G 33/00
472/117
2009/0017927 A1 * 1/2009 Shozi A63G 21/18
472/117

2009/0143155 A1 * 6/2009 Werner A63G 21/18
472/117
2011/0287848 A1 * 11/2011 Bradley A63G 21/18
472/117
2017/0106295 A1 * 4/2017 Hunter A63G 21/18

FOREIGN PATENT DOCUMENTS

HK 1914915-0003 * 9/2019
KR 3010753900002 * 9/2019
KR 3010753900003 * 9/2019
KR 3010753900001 * 9/2020

OTHER PUBLICATIONS

Water ride goggle search; google.com; Jun. 22, 2023.*
cnn.com; cheetah chase; Jun. 22, 2023.*
attractionsmagazine.com; Quassy Amusement Park; Jun. 22, 2023.*
Decision from the Turkish re-examination board dismissing opposition to Turkish Design application No. 2019/06841, dated Dec. 16, 2021 (25 pages).
Appeal Petition filed with Turkish Court regarding Turkish Design Application No. 2019/06841 (15 pages).
Opposition, issued in Turkish Design application No. 2019/06841 (22 pages).
Decision from the Turkish re-examination board dismissing opposition to Turkish Design application No. 2019/06841, dated Nov. 26, 2020 (2 pages).
Petition filed with Turkish Court regarding Turkish Design Application No. 2019/06841 (14 pages).
“Expert Opinion Concerning the Design and Technical Field”; Dr. Ayşem G. Başar; Head of Department of Industrial Design; Yeditepe University; Istanbul; Jan. 25, 2021; (17 pages); filed in association with the Petition filed with the Turkish Court regarding Turkish Design Application No. 2019/06841.
Rejoinder Petition filed with Turkish Court regarding counterpart Turkish Design Application No. 2019/06841; nine pages.
Expert Report submitted in association with the Rejoinder Petition filed in Turkish Court regarding counterpart Turkish Design Application No. 2019/06841; 22 pages.

* cited by examiner

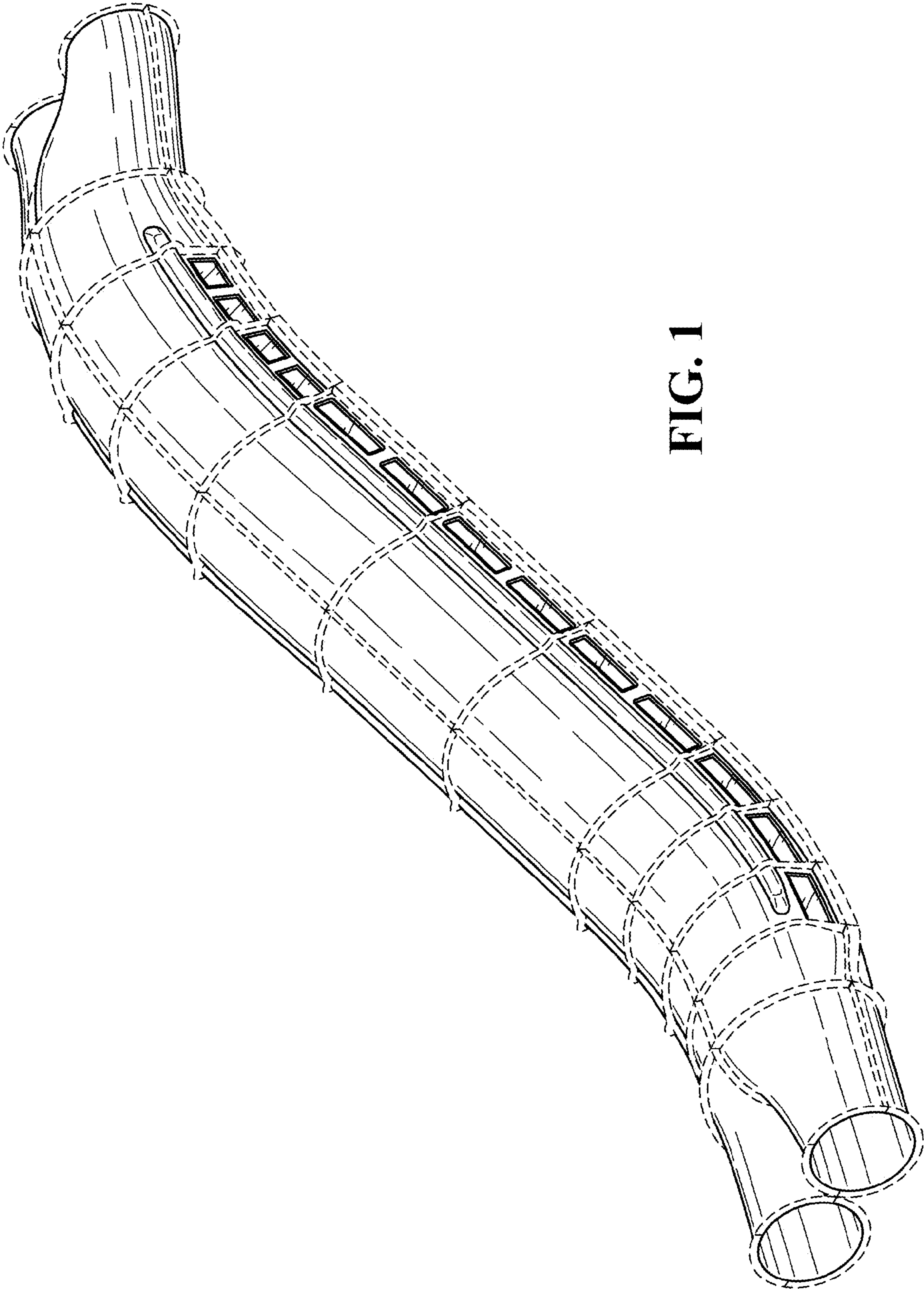


FIG. 1

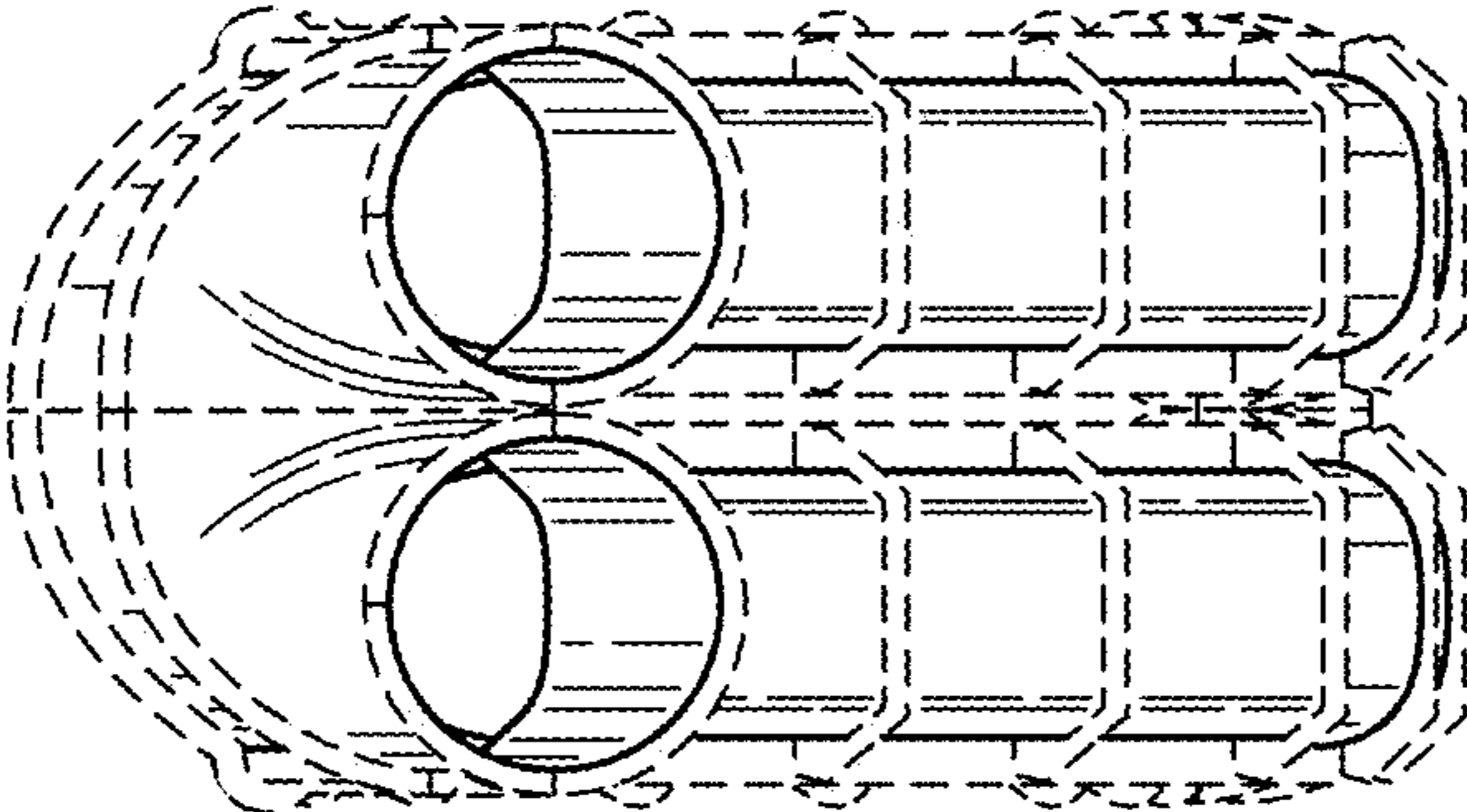


FIG. 3

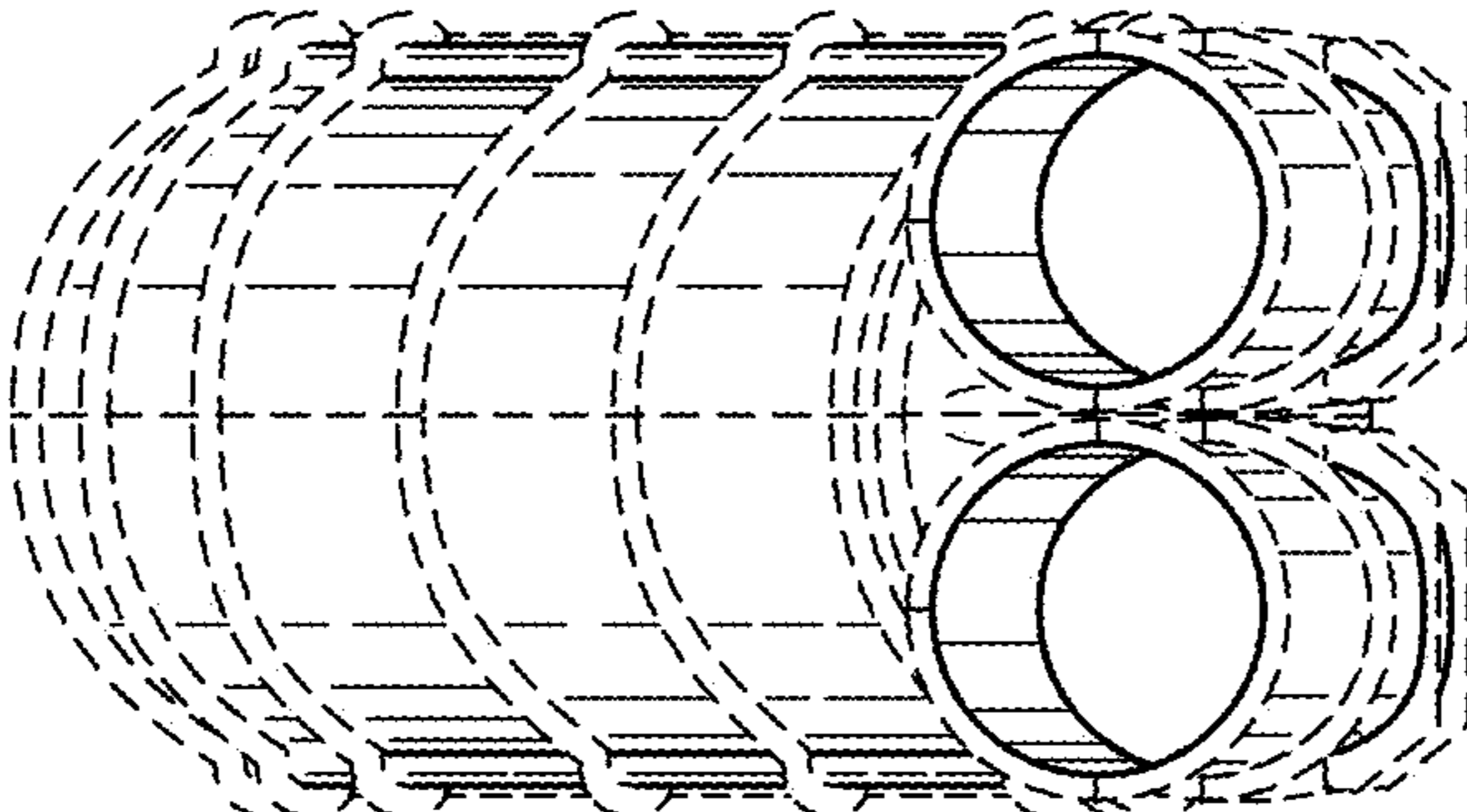


FIG. 2

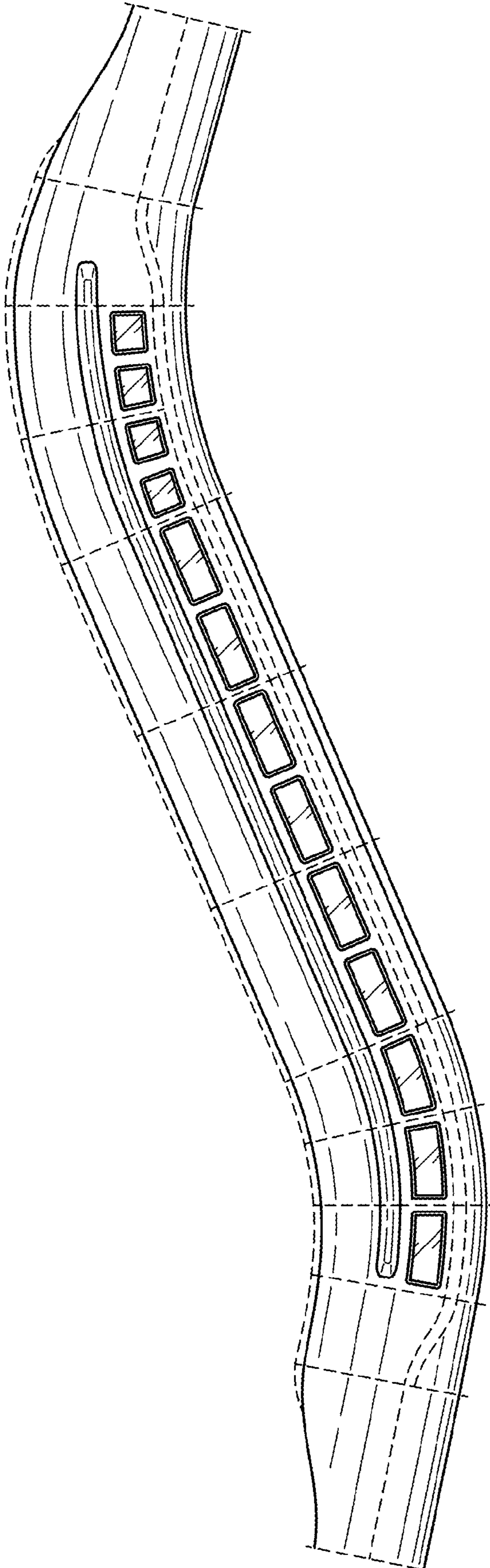


FIG. 4

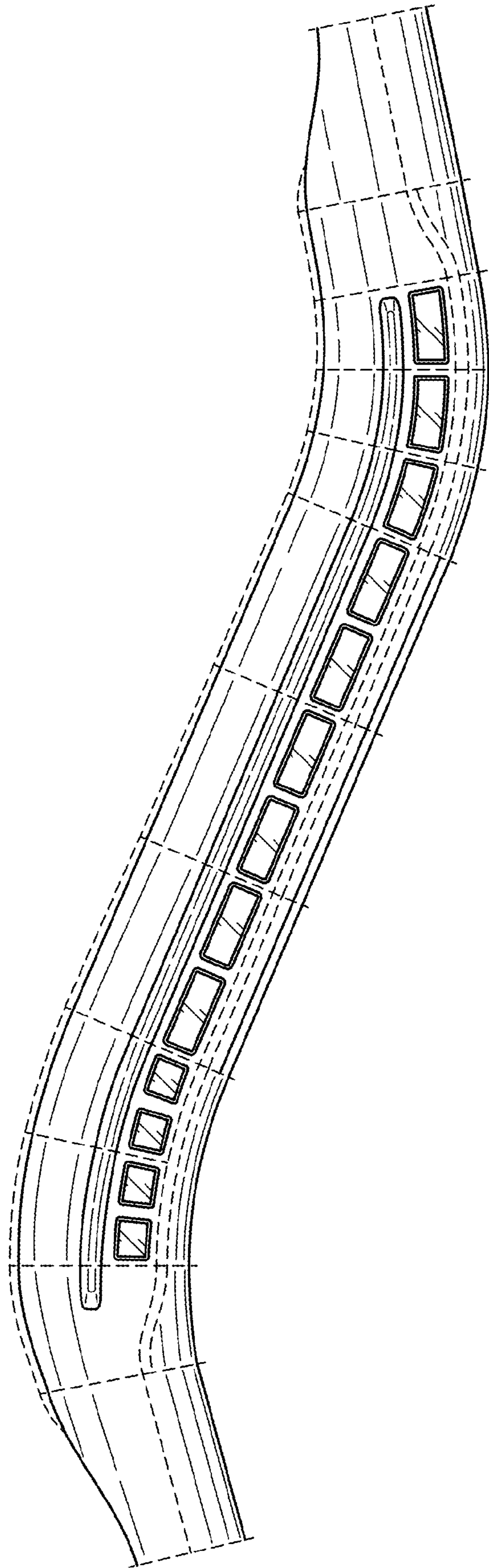


FIG. 5

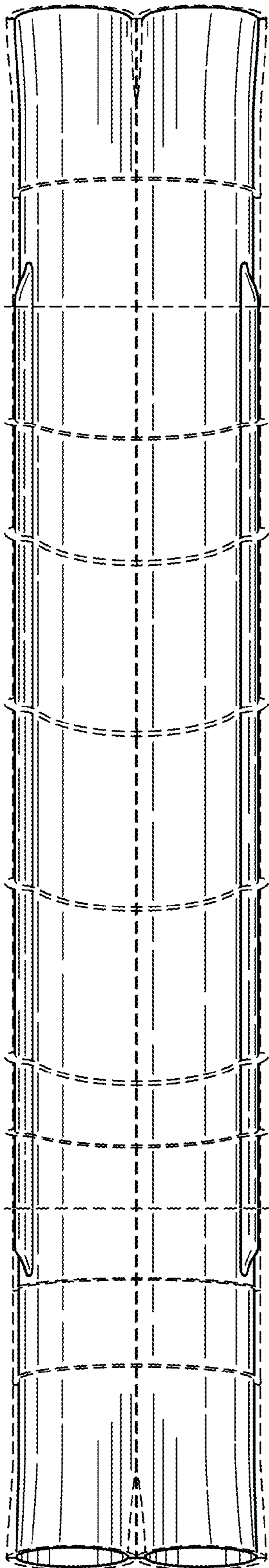


FIG. 6

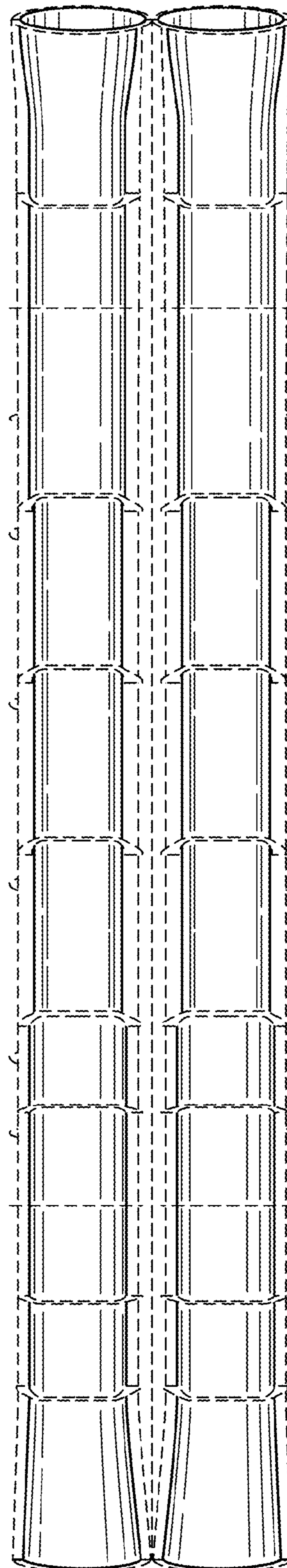


FIG. 7

UNITED STATES PATENT AND TRADEMARK OFFICE
CERTIFICATE OF CORRECTION

PATENT NO. : D1,009,204 S
APPLICATION NO. : 29/826187
DATED : December 26, 2023
INVENTOR(S) : Richard D. Hunter

Page 1 of 1

It is certified that error appears in the above-identified patent and that said Letters Patent is hereby corrected as shown below:

On the Title Page

Related U.S. Application Data

(62) Division of application No. "29/711,411, filed on Oct. 31, 2019, now abandoned" should read as --29/711,441, filed on Oct. 31, 2019, now Pat. No. Des. 959,586--.

Signed and Sealed this
Sixteenth Day of April, 2024
Katherine Kelly Vidal

Katherine Kelly Vidal
Director of the United States Patent and Trademark Office