



US0D1009186S

(12) **United States Design Patent** (10) **Patent No.:** **US D1,009,186 S**
Lagree et al. (45) **Date of Patent:** **** *Dec. 26, 2023**

- (54) **EXERCISE MACHINE**
- (71) Applicant: **Lagree Technologies, Inc.**, Chatsworth, CA (US)
- (72) Inventors: **Sebastien Anthony Louis Lagree**, Chatsworth, CA (US); **Max Wunderlich**, Los Angeles, CA (US)
- (73) Assignee: **Lagree Technologies, Inc.**, Chatsworth, CA (US)
- (*) Notice: This patent is subject to a terminal disclaimer.
- (**) Term: **15 Years**
- (21) Appl. No.: **29/875,194**
- (22) Filed: **May 1, 2023**

- 5,263,913 A 11/1993 Boren
 - D362,700 S 9/1995 Breibart
 - D382,319 S 8/1997 Gerschefske
 - 5,681,249 A 10/1997 Endelman
 - 5,885,197 A 3/1999 Barton
 - 5,967,955 A 10/1999 Westfall
 - 6,179,753 B1 1/2001 Barker
 - 7,104,937 B2 9/2006 Arbuckle
- (Continued)

FOREIGN PATENT DOCUMENTS

WO 2004096376 A1 11/2004

OTHER PUBLICATIONS

“Introduction to the Microformer” Sep. 14, 2020, Youtube, site visited Mar. 16, 2023: <https://www.youtube.com/watch?v=9qqmbAjJJ4g> (Year: 2020).*

(Continued)

Primary Examiner — Jack Reickel

Assistant Examiner — Salamah Jordan

(74) *Attorney, Agent, or Firm* — Neustel Law Offices

Related U.S. Application Data

(63) Continuation of application No. 29/797,322, filed on Jun. 30, 2021, now Pat. No. Des. 993,341.

(51) **LOC (14) Cl.** **21-02**

(52) **U.S. Cl.**
USPC **D21/676**

(58) **Field of Classification Search**

USPC D21/687, 690, 662, 665, 676, 695, 686, D21/674, 694, 692

CPC A63B 71/0622; A63B 22/0076; A63B 23/0233; A63B 21/4047; A63B 24/0062; A63B 21/154; A63B 21/023; G09B 5/06

See application file for complete search history.

(57) **CLAIM**

The ornamental design for an exercise machine, as shown and described.

DESCRIPTION

FIG. 1 is a perspective view of an exercise machine showing the claimed design;

FIG. 2 is a front view thereof;

FIG. 3 is a rear view thereof;

FIG. 4 is a right view thereof;

FIG. 5 is a left view thereof;

FIG. 6 is a top view thereof; and,

FIG. 7 is a bottom view thereof.

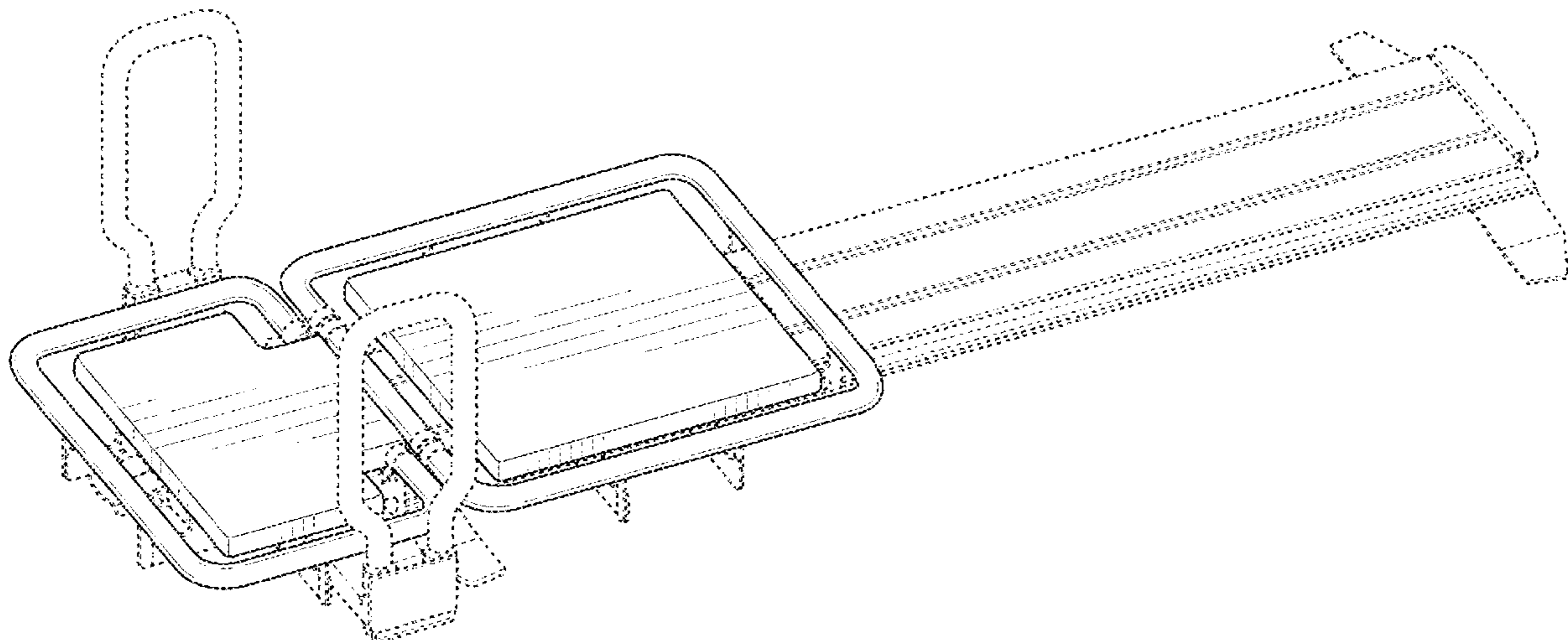
The broken line portions of the drawings are included to show unclaimed subject matter and form no part of the claimed design.

(56) **References Cited**

U.S. PATENT DOCUMENTS

- 1,621,477 A 8/1925 Pilates
- 3,770,267 A 11/1973 McCarthy
- 4,759,540 A 7/1988 Yu
- 4,798,378 A 1/1989 Jones
- 5,066,005 A 11/1991 Luecke

1 Claim, 6 Drawing Sheets



(56)

References Cited

U.S. PATENT DOCUMENTS

7,163,500	B2	1/2007	Endelman	10,155,129	B2	12/2018	Lagree
7,803,095	B1	9/2010	Lagree	10,201,724	B2	2/2019	Lagree
7,931,570	B2	4/2011	Hoffman	10,213,641	B2	2/2019	Lagree
8,249,714	B1	8/2012	Hartman	10,220,244	B2	3/2019	Lagree
D691,678	S *	10/2013	Cardillo D21/676	10,238,910	B2	3/2019	Lagree
D694,347	S *	11/2013	Campanaro D21/686	10,265,573	B2	4/2019	Lagree
8,585,554	B2	11/2013	Shavit	10,272,285	B2	4/2019	Lagree
8,641,585	B2	2/2014	Lagree	10,279,207	B2	5/2019	Lagree
D711,984	S	8/2014	Smyth	10,300,328	B2	5/2019	Lagree
D726,263	S *	4/2015	Anderson D21/676	10,369,398	B2	8/2019	Lagree
9,072,931	B2	7/2015	Lagree	10,478,656	B2	11/2019	Lagree
9,119,989	B1	9/2015	Lagree	10,478,663	B2	11/2019	Lagree
9,138,606	B2	9/2015	Lagree	10,486,017	B1	11/2019	Lagree
D741,420	S *	10/2015	Campanaro D21/674	10,493,321	B2	12/2019	Lagree
9,211,440	B2	12/2015	Lagree	10,500,441	B2	12/2019	Lagree
9,283,422	B2	3/2016	Lagree	10,518,125	B2 *	12/2019	Janowski A63B 22/0076
9,370,679	B2	6/2016	Lagree	10,518,127	B2	12/2019	Lagree
9,393,454	B2	7/2016	Lagree	10,549,140	B2	2/2020	Lagree
D764,606	S *	8/2016	Lagree D21/676	10,561,896	B2	2/2020	Lagree
9,415,253	B2	8/2016	Lagree	10,569,118	B2	2/2020	Lagree
9,457,216	B2	10/2016	Lagree	10,603,546	B1	3/2020	Lagree
9,457,225	B2	10/2016	Lagree	10,695,645	B1	6/2020	Lagree
9,474,924	B2	10/2016	Lagree	10,702,730	B2	7/2020	Lagree
9,474,926	B1	10/2016	Lagree	10,702,760	B2	7/2020	Lagree
9,474,927	B2	10/2016	Lagree	10,716,964	B1	7/2020	Lagree
D772,992	S	11/2016	Lagree	10,744,370	B1	8/2020	Lagree
9,498,667	B1	11/2016	Lagree	10,751,600	B2	8/2020	Lagree
9,517,375	B2	12/2016	Lagree	10,780,307	B2	9/2020	Lagree
9,522,299	B2	12/2016	Lagree	10,792,528	B1	10/2020	Lagree
9,533,184	B1	1/2017	Lagree	10,792,538	B2	10/2020	Lagree
9,533,185	B1	1/2017	Lagree	10,835,775	B1	11/2020	Lagree
9,545,535	B2	1/2017	Lagree	10,850,155	B2	12/2020	Lagree
9,555,282	B1	1/2017	Lagree	10,850,158	B2	12/2020	Lagree
9,579,536	B1	2/2017	Lagree	10,857,418	B2	12/2020	Lagree
9,579,555	B2	2/2017	Lagree	10,857,420	B2	12/2020	Lagree
9,586,081	B2	3/2017	Lagree	10,864,399	B2	12/2020	Lagree
9,586,089	B2	3/2017	Lagree	10,870,034	B2	12/2020	Lagree
9,597,545	B1	3/2017	Lagree	10,881,896	B2	1/2021	Lagree
9,604,095	B1	3/2017	Lagree	10,912,982	B2	2/2021	Lagree
9,604,097	B1	3/2017	Lagree	10,926,127	B1	2/2021	Lagree
D785,104	S	4/2017	Lagree	D914,812	S	3/2021	Campanaro
9,643,051	B1	5/2017	Lagree	10,940,358	B2	3/2021	Lagree
9,649,526	B2	5/2017	Lagree	10,940,359	B2	3/2021	Lagree
9,649,527	B1	5/2017	Lagree	10,946,230	B2	3/2021	Lagree
D788,861	S	6/2017	Campanaro	10,957,218	B1	3/2021	Lagree
D789,463	S	6/2017	Lagree	10,974,089	B1	4/2021	Lagree
9,700,754	B2	7/2017	Lagree	10,974,092	B2	4/2021	Lagree
9,717,945	B2	8/2017	Lagree	10,994,168	B2	5/2021	Lagree
9,744,395	B1	8/2017	Lagree	11,000,727	B2	5/2021	Lagree
9,776,043	B2	10/2017	Lagree	11,020,627	B1	6/2021	Lagree
9,776,062	B2	10/2017	Lagree	11,040,234	B2	6/2021	Lagree
9,789,354	B2	10/2017	Lagree	D933,764	S *	10/2021	Modeste D21/690
9,808,664	B2	11/2017	Lagree	D946,094	S *	3/2022	Lagree D21/686
9,849,330	B2	12/2017	Lagree	D959,580	S	8/2022	Lagree
9,868,009	B2	1/2018	Lagree	11,446,540	B2 *	9/2022	Lagree A63B 22/203
9,868,010	B2	1/2018	Lagree	11,456,623	B2 *	9/2022	Lagree A63B 22/0089
9,868,011	B2	1/2018	Lagree	11,465,011	B1 *	10/2022	Lagree A63B 21/068
9,868,018	B2	1/2018	Lagree	D977,041	S *	1/2023	Lagree D21/686
9,868,019	B2	1/2018	Lagree	D989,198	S *	6/2023	Bentivoglio D21/676
9,914,014	B2	3/2018	Lagree	D989,199	S *	6/2023	Bentivoglio D21/676
9,962,573	B2	5/2018	Lagree	D989,894	S *	6/2023	Hamer D21/686
9,962,592	B2	5/2018	Lagree	2001/0056011	A1	12/2001	Endelman
9,981,156	B2	5/2018	Lagree	2003/0119635	A1	6/2003	Arbuckle
10,016,655	B2	7/2018	Lagree	2005/0130810	A1	6/2005	Sands
10,022,577	B2	7/2018	Lagree	2005/0164856	A1	7/2005	Parmater
10,022,581	B2	7/2018	Lagree	2006/0046914	A1	3/2006	Endelman
10,029,141	B2	7/2018	Lagree	2006/0199712	A1	9/2006	Barnard
10,046,193	B1	8/2018	Aronson	2008/0070765	A1	3/2008	Brown
10,052,518	B2	8/2018	Lagree	2008/0248935	A1	10/2008	Solow
10,065,069	B1	9/2018	Lagree	2010/0227748	A1	9/2010	Campanaro
10,109,216	B2	10/2018	Lagree	2011/0143898	A1	6/2011	Trees
10,118,067	B2	11/2018	Lagree	2011/0166002	A1	7/2011	Savsek
10,124,232	B2	11/2018	Lagree	2011/0172069	A1	7/2011	Gerschefske
10,143,882	B2	12/2018	Lagree	2012/0295771	A1	11/2012	Lagree
10,150,003	B2	12/2018	Lagree	2013/0196835	A1	8/2013	Solow
				2014/0011645	A1	1/2014	Johnson
				2014/0100089	A1	4/2014	Kermath
				2014/0121076	A1	5/2014	Lagree
				2014/0121078	A1	5/2014	Lagree

(56)

References Cited

U.S. PATENT DOCUMENTS

2014/0121079 A1 5/2014 Lagree
 2014/0141948 A1 5/2014 Aronson
 2015/0024914 A1 1/2015 Lagree
 2015/0057127 A1 2/2015 Lagree
 2015/0065318 A1 3/2015 Lagree
 2015/0065320 A1* 3/2015 Anderson A63B 21/156
 2015/0072841 A1 3/2015 Lagree
 2015/0141204 A1 5/2015 Lagree
 2015/0217164 A1 8/2015 Lagree
 2015/0220523 A1 8/2015 Lagree
 2015/0246263 A1 9/2015 Campanaro
 2015/0297944 A1 10/2015 Lagree
 2015/0343250 A1 12/2015 Lagree
 2015/0360068 A1 12/2015 Lagree
 2015/0360083 A1 12/2015 Lagree
 2015/0360113 A1 12/2015 Lagree
 2015/0364058 A1 12/2015 Lagree
 2015/0367166 A1 12/2015 Lagree
 2016/0008657 A1 1/2016 Lagree
 2016/0059060 A1 3/2016 Lagree
 2016/0059061 A1 3/2016 Lagree
 2016/0096059 A1 4/2016 Lagree
 2016/0166870 A1 6/2016 Lagree
 2016/0193496 A1 7/2016 Lagree
 2016/0256733 A1 9/2016 Lagree
 2016/0271452 A1 9/2016 Lagree
 2016/0317858 A1 11/2016 Lagree
 2016/0346593 A1 12/2016 Lagree
 2016/0361602 A1 12/2016 Lagree
 2017/0014664 A1 1/2017 Lagree
 2017/0014672 A1 1/2017 Lagree
 2017/0036057 A1 2/2017 Lagree
 2017/0036061 A1 2/2017 Lagree
 2017/0043210 A9 2/2017 Lagree
 2017/0065846 A1 3/2017 Lagree
 2017/0072252 A1 3/2017 Lagree
 2017/0087397 A1 3/2017 Lagree
 2017/0100625 A1 4/2017 Lagree
 2017/0100629 A1 4/2017 Lagree
 2017/0106232 A1 4/2017 Lagree
 2017/0113091 A1 4/2017 Lagree
 2017/0120101 A1 5/2017 Lagree
 2017/0144013 A1 5/2017 Lagree
 2017/0157452 A1 6/2017 Lagree
 2017/0157458 A1 6/2017 Lagree
 2017/0165518 A1 6/2017 Lagree
 2017/0165555 A1 6/2017 Lagree
 2017/0189740 A1 7/2017 Lagree
 2017/0189741 A1 7/2017 Lagree
 2017/0209728 A1 7/2017 Lagree
 2017/0239526 A1 8/2017 Lagree
 2017/0246491 A1 8/2017 Lagree
 2017/0246499 A1 8/2017 Lagree
 2017/0296865 A1 10/2017 Lagree
 2017/0304673 A1 10/2017 Lagree
 2017/0326406 A1 11/2017 Lagree
 2017/0340947 A1 11/2017 Lagree
 2017/0354840 A1 12/2017 Lagree
 2018/0015319 A1 1/2018 Lagree
 2018/0021621 A1 1/2018 Lagree
 2018/0021655 A1 1/2018 Lagree
 2018/0036583 A1 2/2018 Lagree
 2018/0056109 A1 3/2018 Lagree
 2018/0056133 A1 3/2018 Lagree
 2018/0111020 A1 4/2018 Lagree
 2018/0111033 A1 4/2018 Lagree
 2018/0117392 A1 5/2018 Lagree
 2018/0133532 A1 5/2018 Lagree
 2018/0133533 A1 5/2018 Lagree
 2018/0133534 A1 5/2018 Lagree
 2018/0133542 A1 5/2018 Lagree

2018/0178053 A1 6/2018 Lagree
 2018/0193691 A1 7/2018 Lagree
 2018/0250551 A1 9/2018 Lagree
 2018/0250573 A1 9/2018 Lagree
 2018/0272179 A1 9/2018 Lagree
 2018/0280782 A1 10/2018 Lagree
 2018/0318627 A1 11/2018 Lagree
 2018/0318646 A1 11/2018 Lagree
 2018/0326252 A1 11/2018 Lagree
 2018/0345067 A1* 12/2018 Ivy A63B 22/0046
 2018/0353803 A1 12/2018 Lagree
 2018/0361190 A1 12/2018 Lagree
 2018/0361197 A1 12/2018 Lagree
 2019/0083842 A1 3/2019 Lagree
 2019/0160320 A1 5/2019 Lagree
 2019/0160329 A1 5/2019 Lagree
 2019/0232105 A1 8/2019 Lagree
 2019/0240530 A1 8/2019 Lagree
 2019/0247694 A1 8/2019 Lagree
 2019/0247705 A1 8/2019 Lagree
 2019/0247707 A1 8/2019 Lagree
 2019/0255375 A1 8/2019 Lagree
 2019/0269961 A1 9/2019 Lagree
 2019/0314672 A1 10/2019 Lagree
 2019/0358484 A1 11/2019 Lagree
 2020/0030657 A1 1/2020 Lagree
 2020/0047051 A1 2/2020 Lagree
 2020/0054913 A1 2/2020 Lagree
 2020/0078630 A1 3/2020 Lagree
 2020/0078634 A1 3/2020 Lagree
 2020/0171337 A1 6/2020 Lagree
 2020/0222741 A1* 7/2020 Aronson A63B 21/00069
 2020/0230460 A1* 7/2020 Reinhardt A63B 21/0088
 2020/0353306 A1 11/2020 Lagree
 2020/0376326 A1 12/2020 Lagree
 2020/0376359 A1 12/2020 Lagree
 2021/0069542 A1 3/2021 Lagree
 2021/0069572 A1 3/2021 Lagree
 2021/0086023 A1 3/2021 Lagree
 2021/0101048 A1 4/2021 Lagree
 2021/0121734 A1 4/2021 Lagree
 2021/0154555 A1 5/2021 Lagree
 2021/0187343 A1 6/2021 Lagree
 2021/0187345 A1 6/2021 Lagree
 2021/0402253 A1* 12/2021 Lagree A63B 23/03541
 2022/0062697 A1* 3/2022 Lagree A63B 22/0089

OTHER PUBLICATIONS

“30 Minute Total Body Megaformer Microformer Pilates Reformer Workout” May 16, 2020, Youtube, site visited Mar. 16, 2023: <https://www.youtube.com/watch?v=66xtb2d3MWQ> (Year: 2020).*

“Meet the Micro From Lagree Fitness” Apr. 13, 2020, Youtube, site visited Jul. 13, 2023: (Year: 2020).*

“Sundays with Sebastien (1) Lagree Microformer” Oct. 5, 2020, Youtube, site visited Jul. 13, 2023: <https://www.youtube.com/watch?v=DyVauBKsE6o> (Year: 2020).*

<https://www.youtube.com/watch?v=9qqmbAjJJ4g>; “Introduction to the Microformer” Youtube Video from Alison Dillon; Sep. 14, 2020. <https://www.youtube.com/watch?v=66xtb2d3MWQ>; “30 Minute Total Body Megaformer Microformer Pilates Reformer Workout” Youtube Video from Sculpt360; May 16, 2020. <https://www.youtube.com/watch?v=DL9se5DGXP0>; “All You Need to Know About the Micro” Youtube Video by Lagree Fitness; Oct. 31, 2022. <https://www.youtube.com/watch?v=zz4gxhpYyr4>; “How To Attach FITT Gym Accessories” Youtube Video by Hight Street TV; Aug. 14, 2020. <https://www.youtube.com/watch?v=2-yth-Y26us>; “Megaformer Video” Youtube Video by Corevolution; Nov. 13, 2015.

* cited by examiner

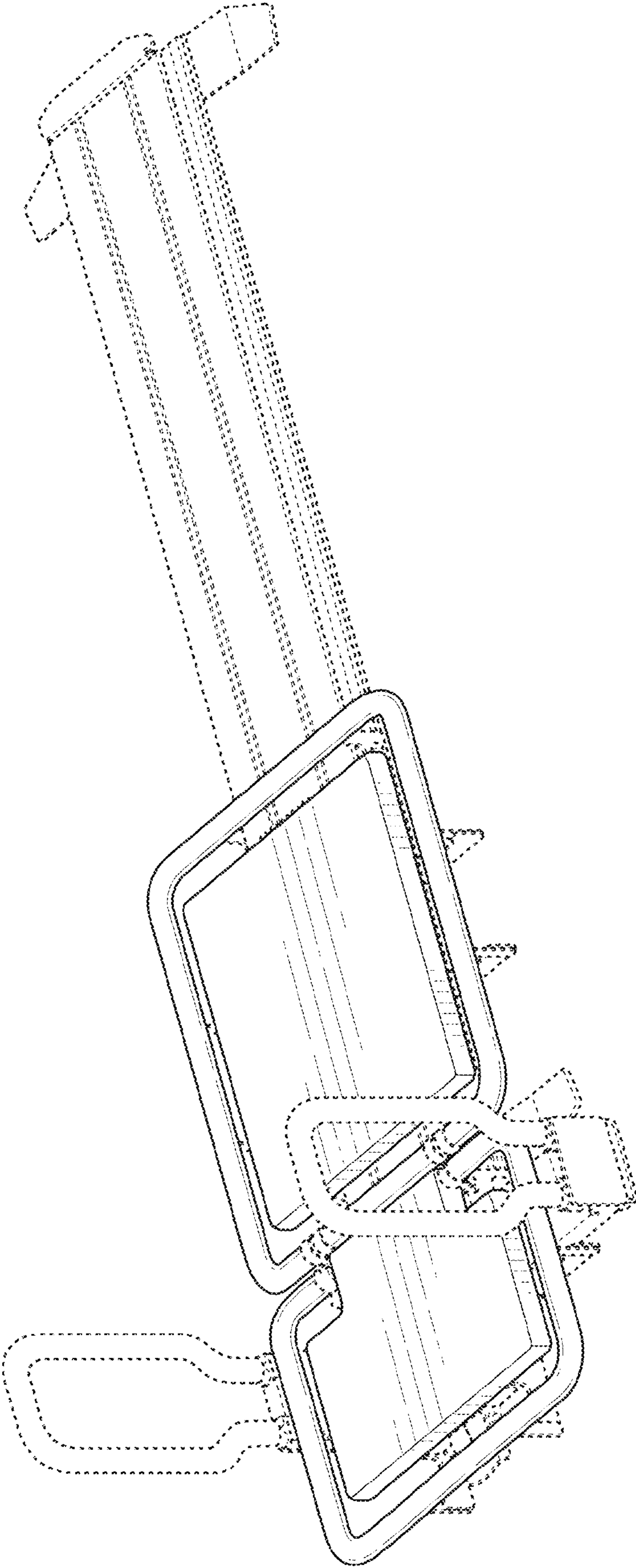


FIG. 1

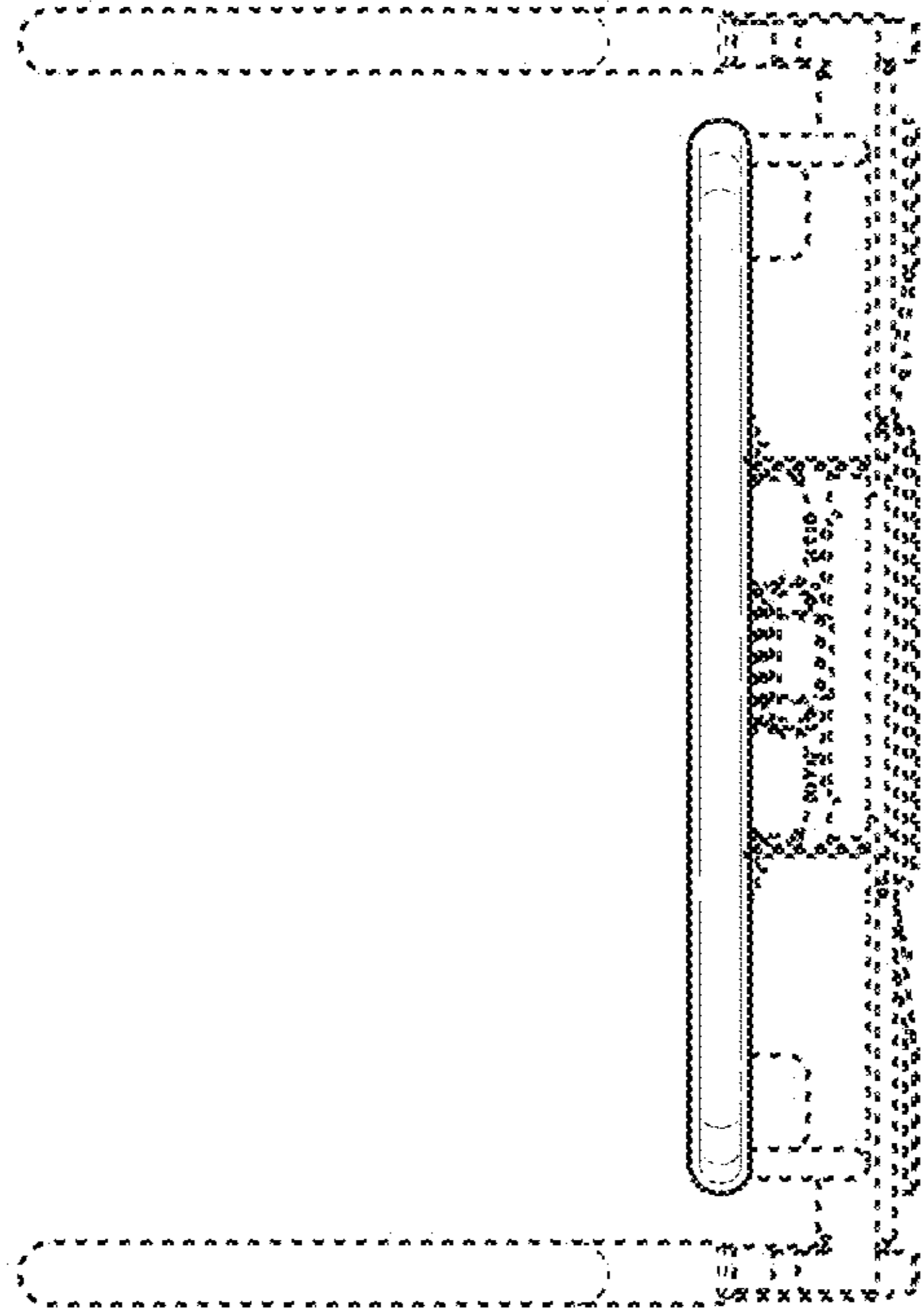


FIG. 3

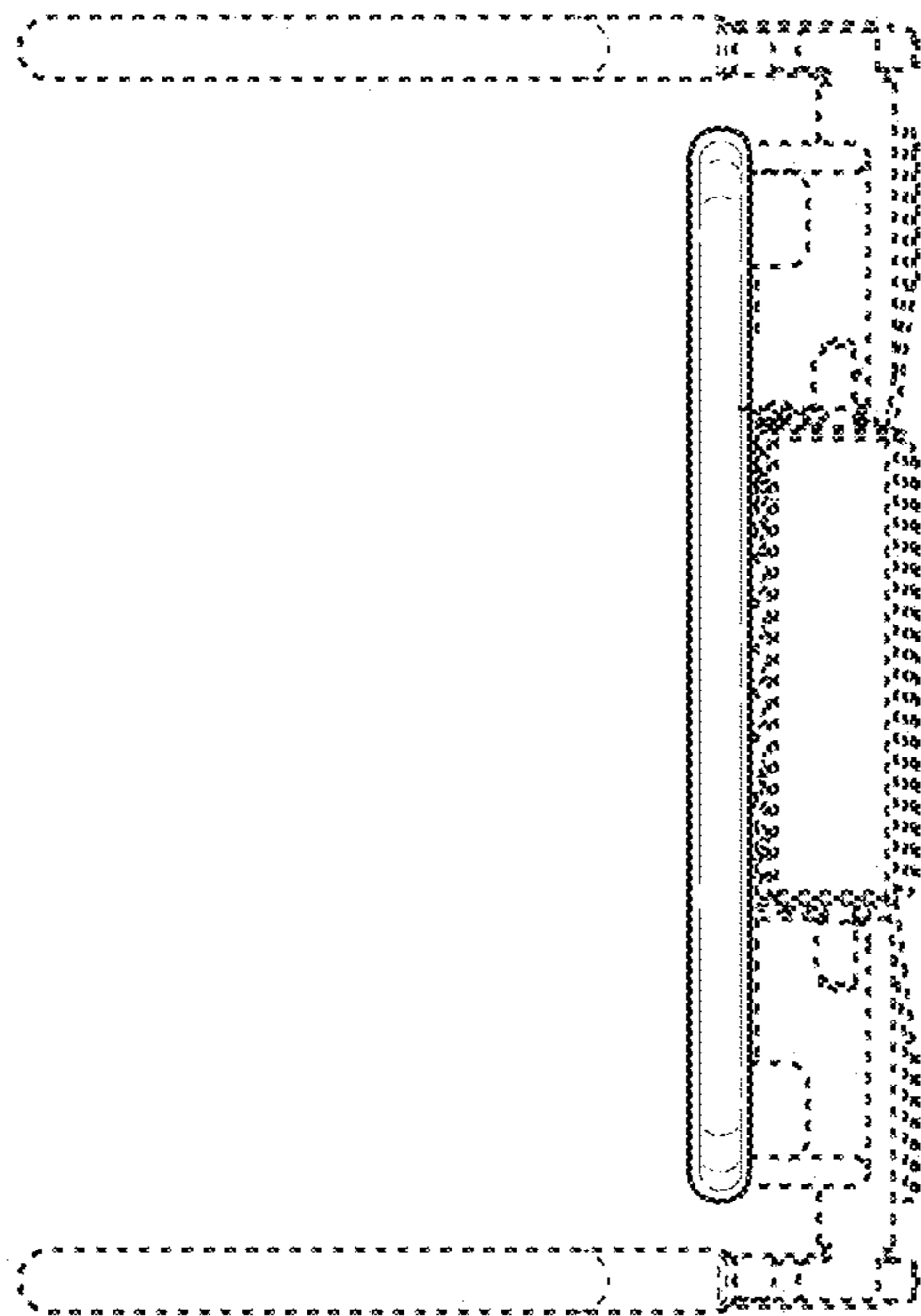


FIG. 2

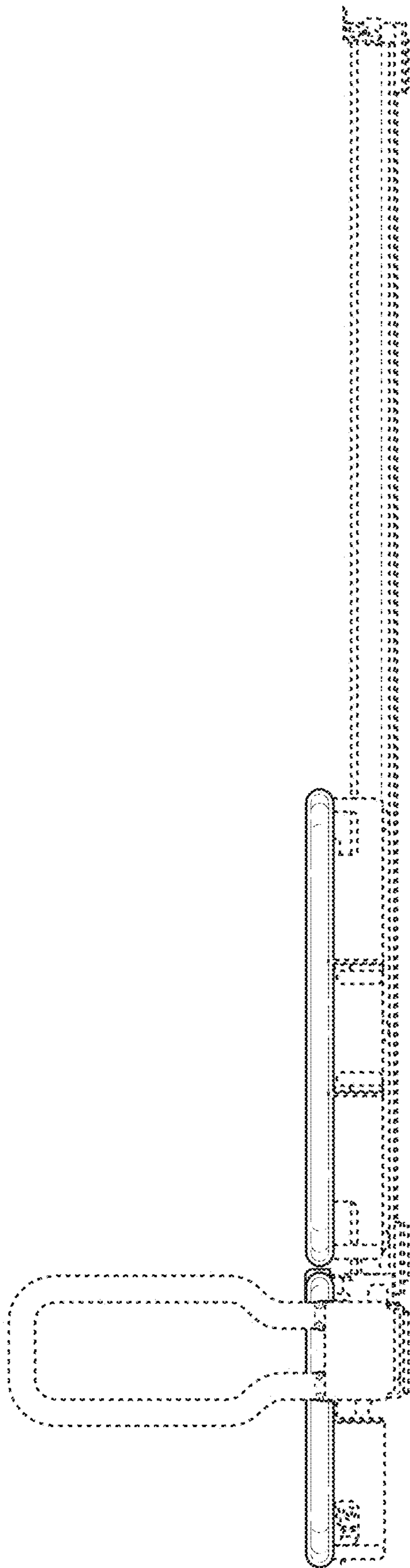


FIG. 4

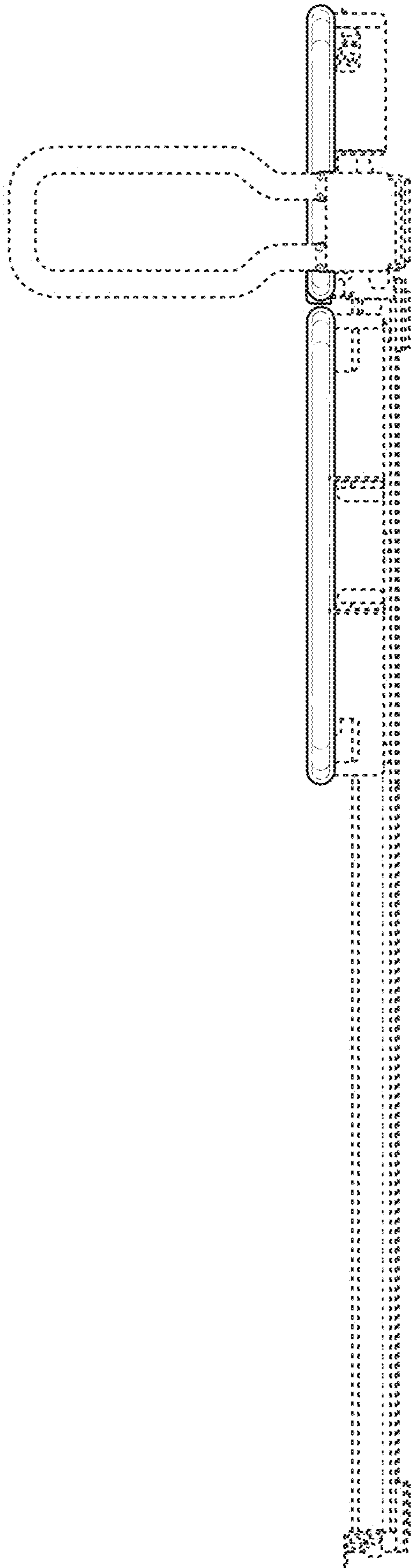


FIG. 5

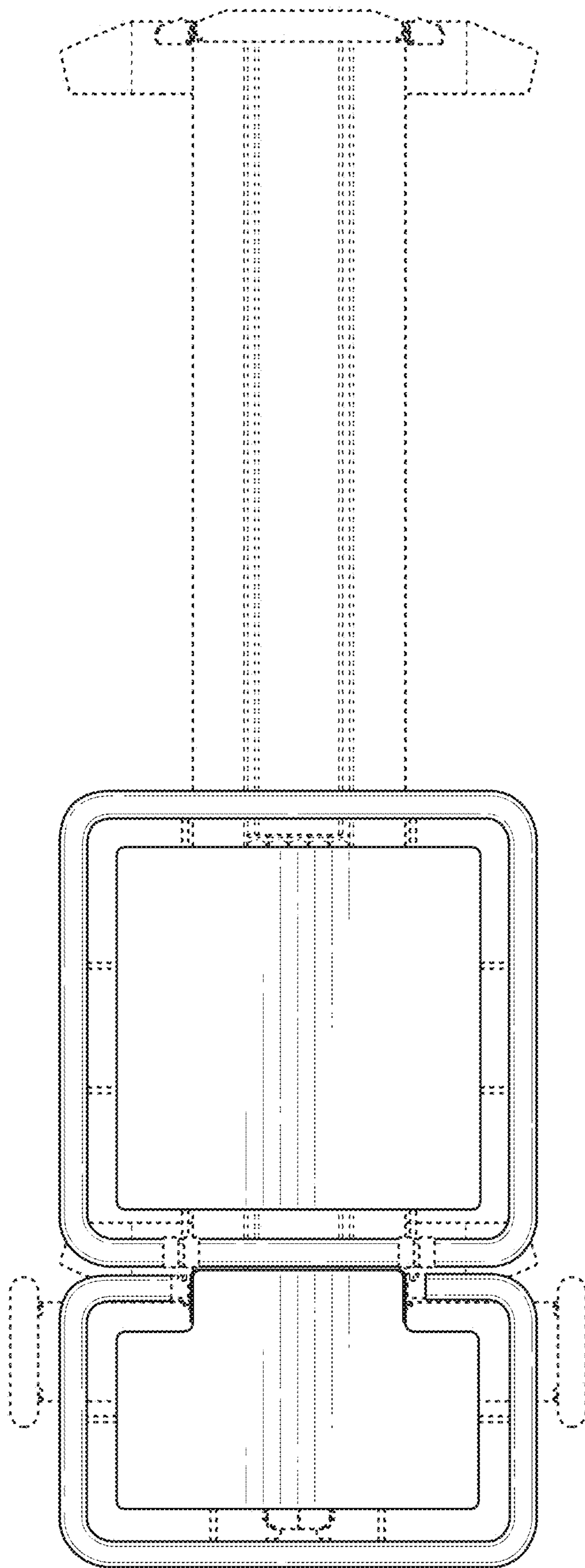


FIG. 6

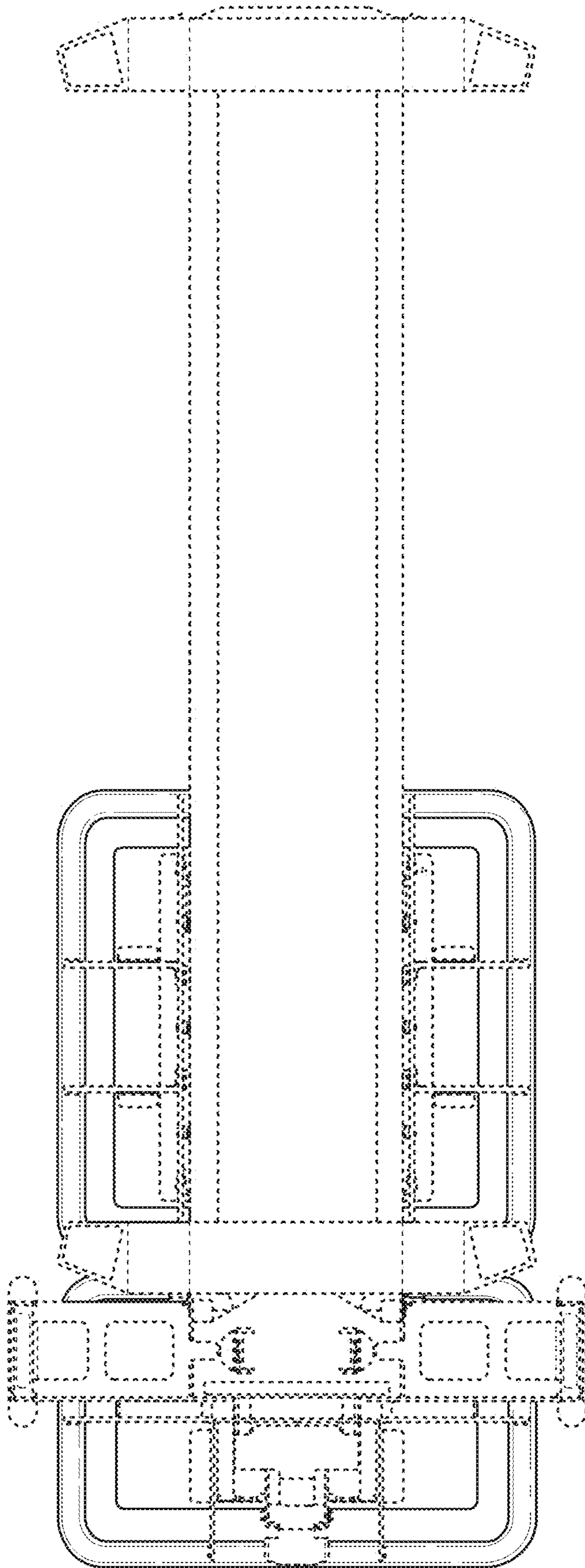


FIG. 7