



US0D1008888S

(12) **United States Design Patent** (10) **Patent No.:** **US D1,008,888 S**
Riley (45) **Date of Patent:** **** Dec. 26, 2023**

(54) **DIFFERENTIAL COVER WITH SKID PLATE**

(71) Applicant: **Warn Industries, Inc.**, Clackamas, OR (US)

(72) Inventor: **Brent Riley**, Clackamas, OR (US)

(73) Assignee: **WARN INDUSTRIES, INC.**, Clackamas, OR (US)

(**) Term: **15 Years**

(21) Appl. No.: **29/810,336**

(22) Filed: **Oct. 4, 2021**

(51) **LOC (14) Cl.** **15-01**

(52) **U.S. Cl.**
USPC **D12/160**

(58) **Field of Classification Search**
USPC D12/126, 160; D15/1, 2, 3, 4, 5, 6, 148, D15/149
CPC Y10T 74/219; Y10T 4/2186; F16H 37/08; F16H 48/00; F16H 48/38; F16H 57/0025; F16H 57/0037
See application file for complete search history.

(56) **References Cited**

U.S. PATENT DOCUMENTS

D327,280 S *	6/1992	Macomber	D12/160
5,992,926 A *	11/1999	Christofaro	B62D 29/001
				296/205
D424,988 S *	5/2000	Rothlisberger	D12/160
D486,763 S *	2/2004	Nunez	D12/160
6,796,404 B1 *	9/2004	Dick, Jr.	B60T 8/171
				74/606 R
8,109,174 B2 *	2/2012	Hilker	F16H 57/0421
				184/6.12
8,602,438 B2 *	12/2013	Stanifer	B62D 53/0885
				280/433
D717,216 S *	11/2014	Dunn	D12/160
D798,906 S *	10/2017	Bennett	D15/5
D861,040 S *	9/2019	Raskin	D15/5

10,443,705 B1 *	10/2019	Banks, III	F16H 48/38
D928,679 S *	8/2021	Liang	D12/196
11,161,407 B2 *	11/2021	Coffman	B62D 65/10
D945,488 S *	3/2022	Mathura	D15/5
D954,610 S *	6/2022	Owens	D12/160

(Continued)

OTHER PUBLICATIONS

Fabtech FTS24299 Front Differential Cover Skid Plate—M210 Axle, Quadratec Webpage [online],[Site Visit Aug. 14, 2023], URL: <https://www.quadratec.com/p/fabtech/front-differential-cover-skid-plate-m210-axle-wrangler-jl-rubicon-gladiator-jt-fts24299> (Year: 2023).*

(Continued)

Primary Examiner — Calvin E Vasant

Assistant Examiner — Giang Hoang Tran

(74) *Attorney, Agent, or Firm* — K&L Gates LLP

(57) **CLAIM**

The ornamental design for a differential cover with skid plate, as shown and described herein.

DESCRIPTION

FIG. 1 illustrates an isometric view of a differential cover with skid plate;

FIG. 2 illustrates a front view of the differential cover with skid plate as shown in FIG. 1;

FIG. 3 illustrates a rear view of the differential cover with skid plate as shown in FIG. 1;

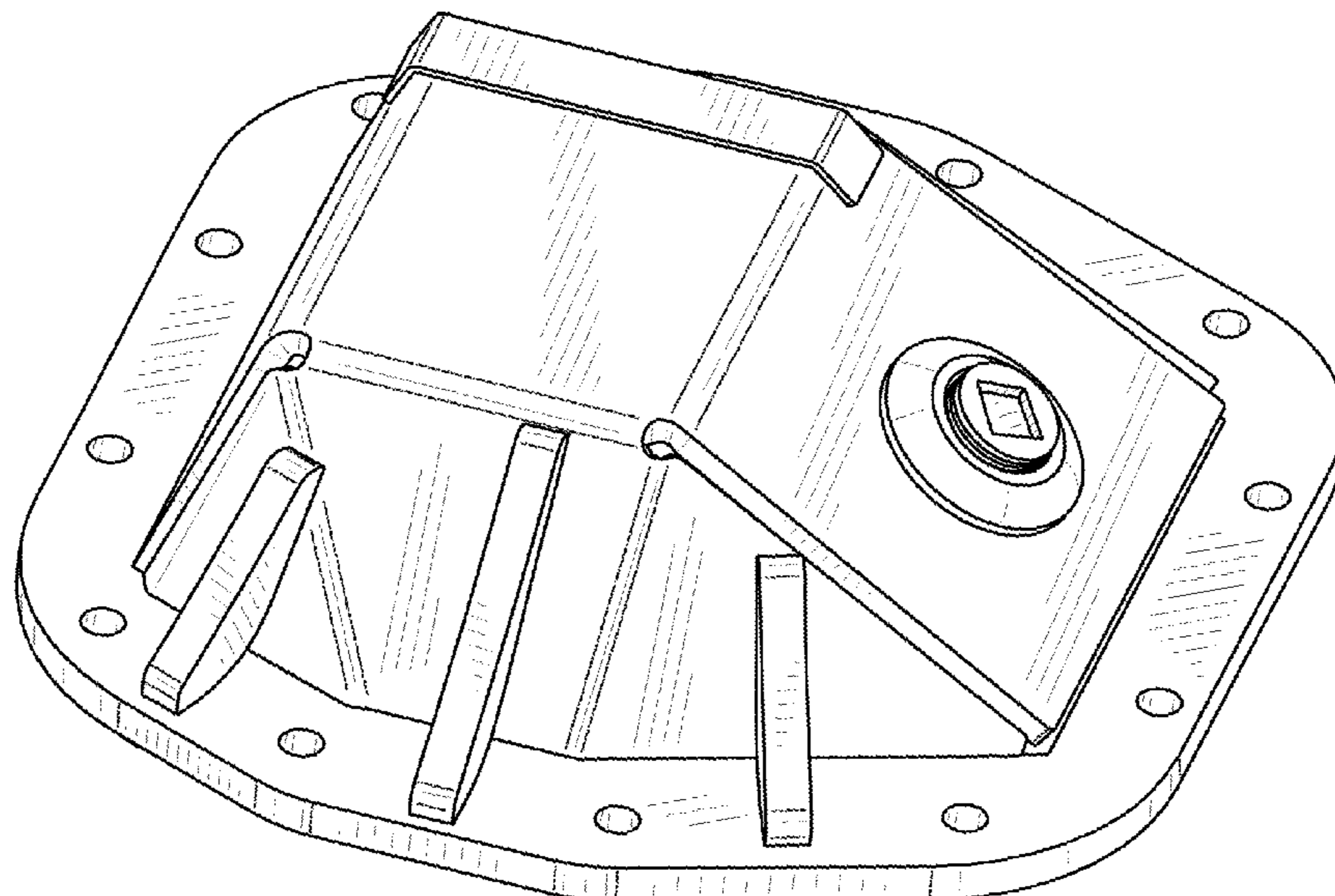
FIG. 4 illustrates a right side view of the differential cover with skid plate as shown in FIG. 1;

FIG. 5 illustrates a left side view of the differential cover with skid plate as shown in FIG. 1;

FIG. 6 illustrates a top view of the differential cover with skid plate as shown in FIG. 1; and,

FIG. 7 illustrates a bottom view of the differential cover with skid plate as shown in FIG. 1.

1 Claim, 7 Drawing Sheets



(56)

References Cited

U.S. PATENT DOCUMENTS

2009/0071287 A1* 3/2009 Paskowitz F16H 57/037
74/606 R
2016/0084365 A1* 3/2016 Besemer F16H 48/32
475/86
2021/0180681 A1* 6/2021 Fast F16H 57/0404

OTHER PUBLICATIONS

Front Differential Cover Skid Plate—M210 Axle FTS24299, Fabtech
Webpage [online],[Site Visit Aug. 14, 2023], URL: [https://
fabtechmotorsports.com/product/front-differential-cover-skid-plate-
m210-axle-fts24299/](https://fabtechmotorsports.com/product/front-differential-cover-skid-plate-m210-axle-fts24299/) (Year: 2023).*

* cited by examiner

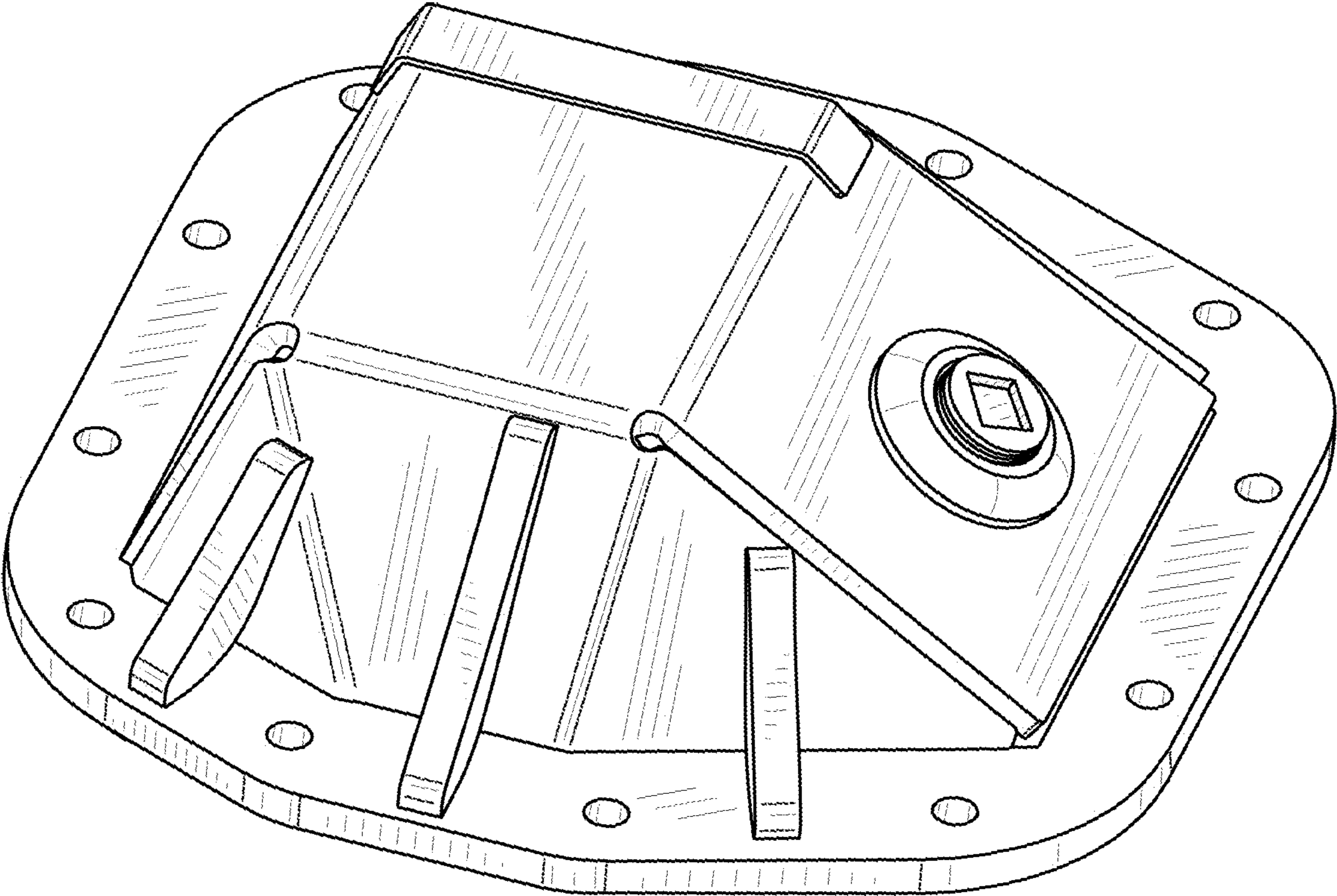


FIG. 1

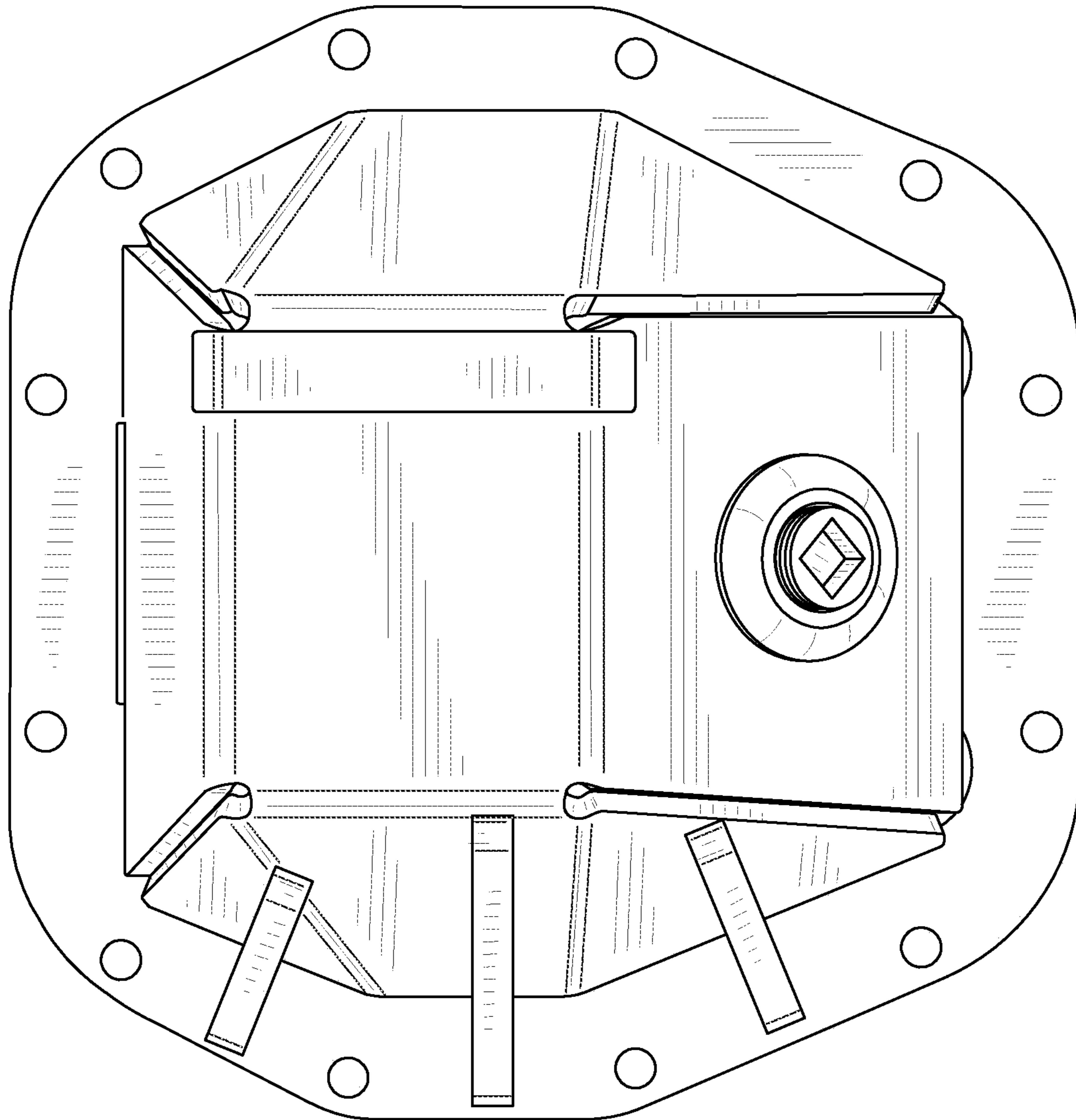


FIG. 2

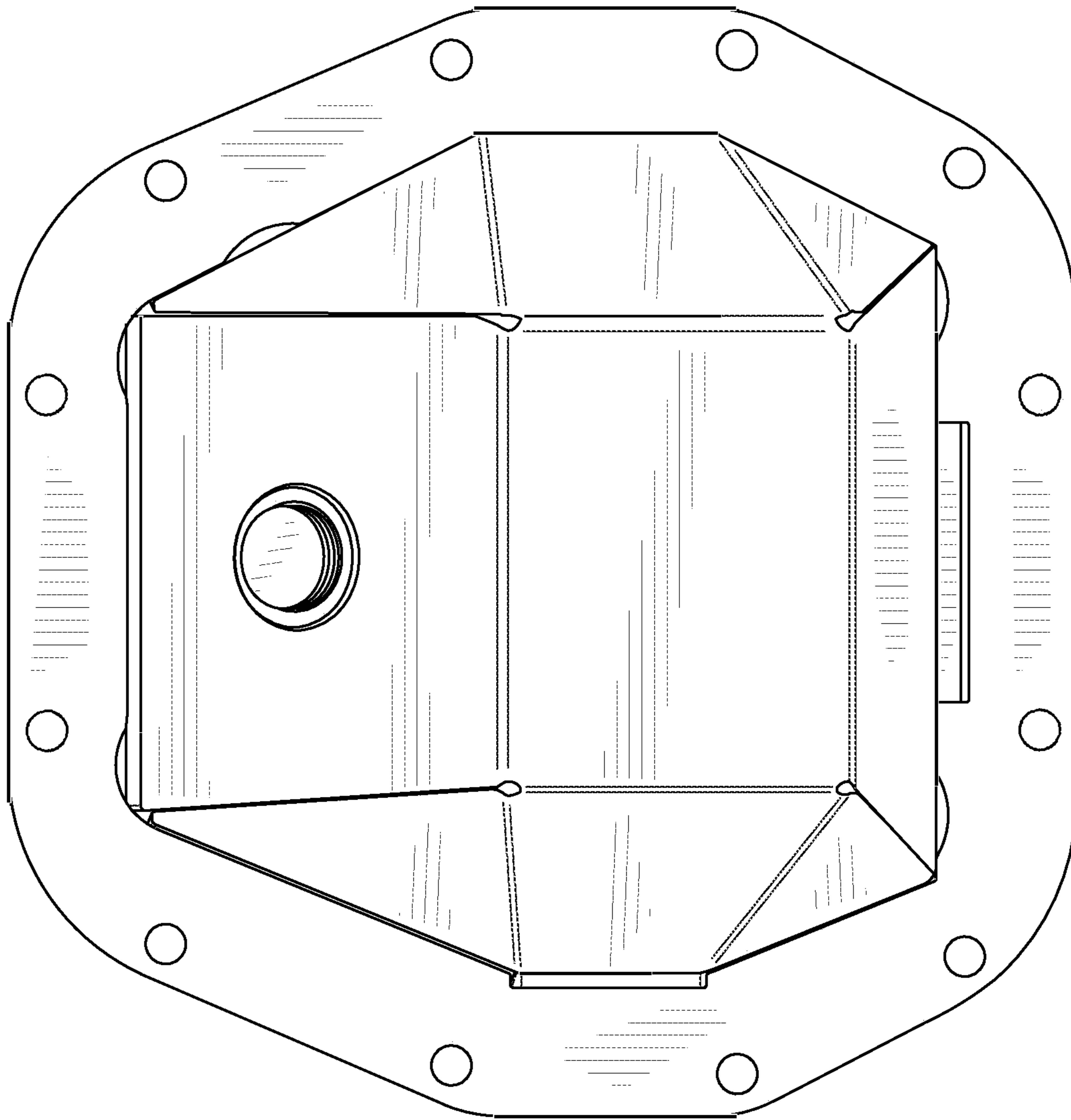


FIG. 3

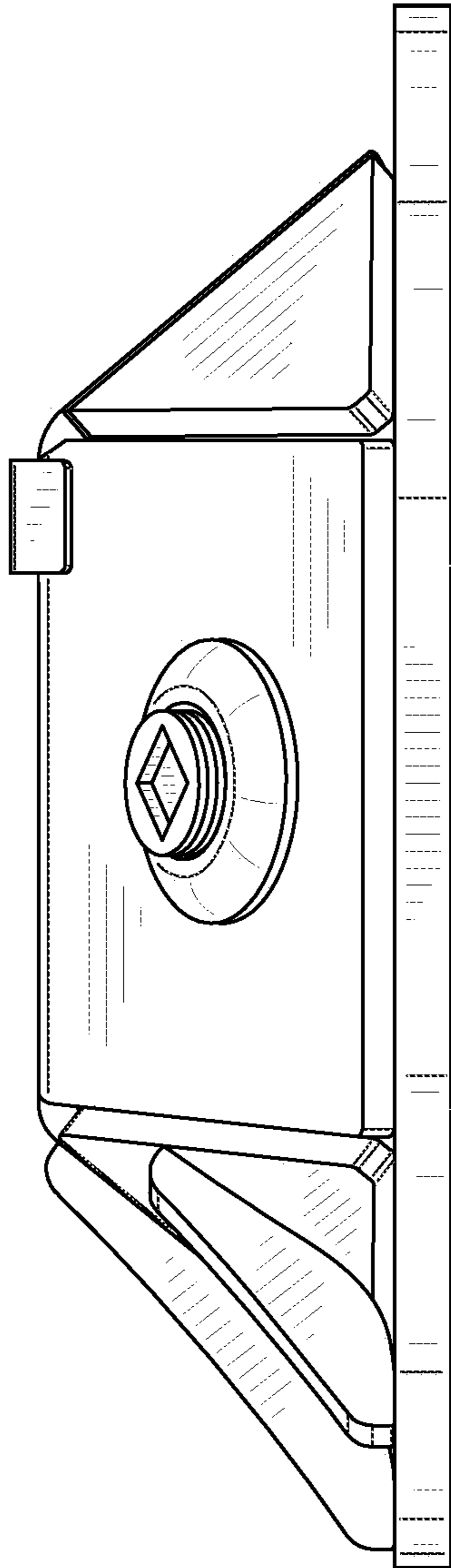


FIG. 4

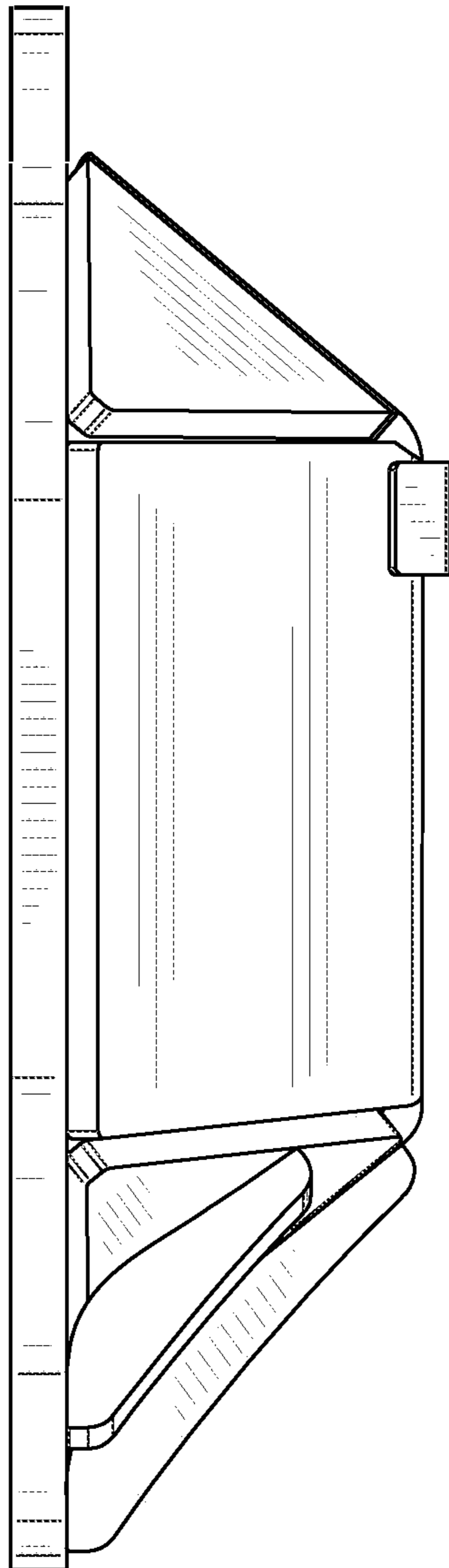


FIG. 5

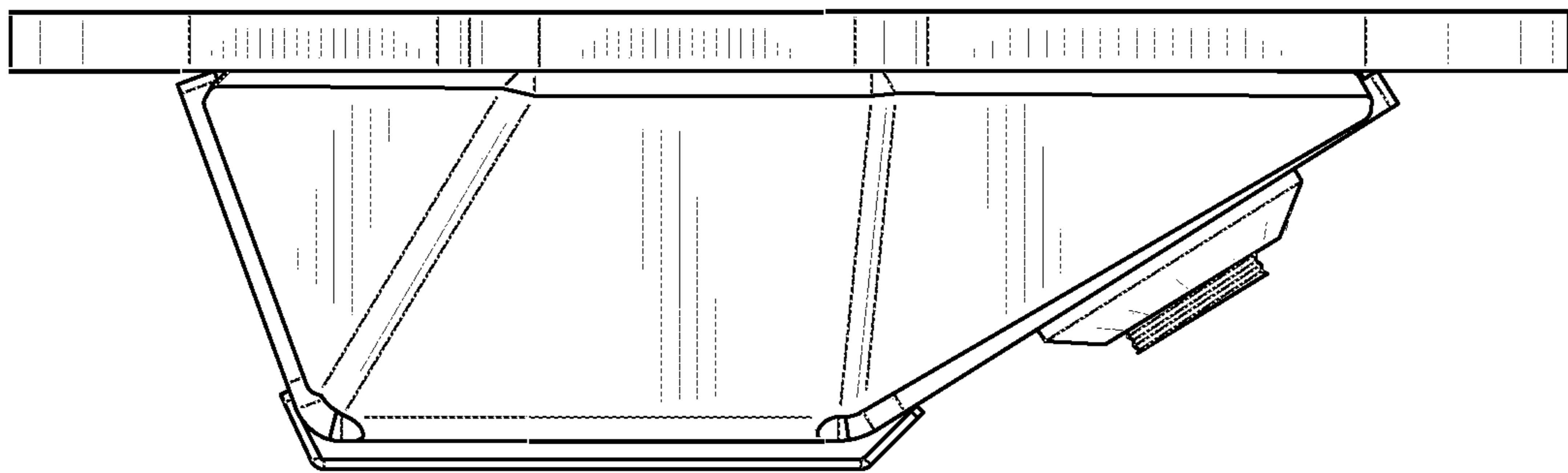


FIG. 6

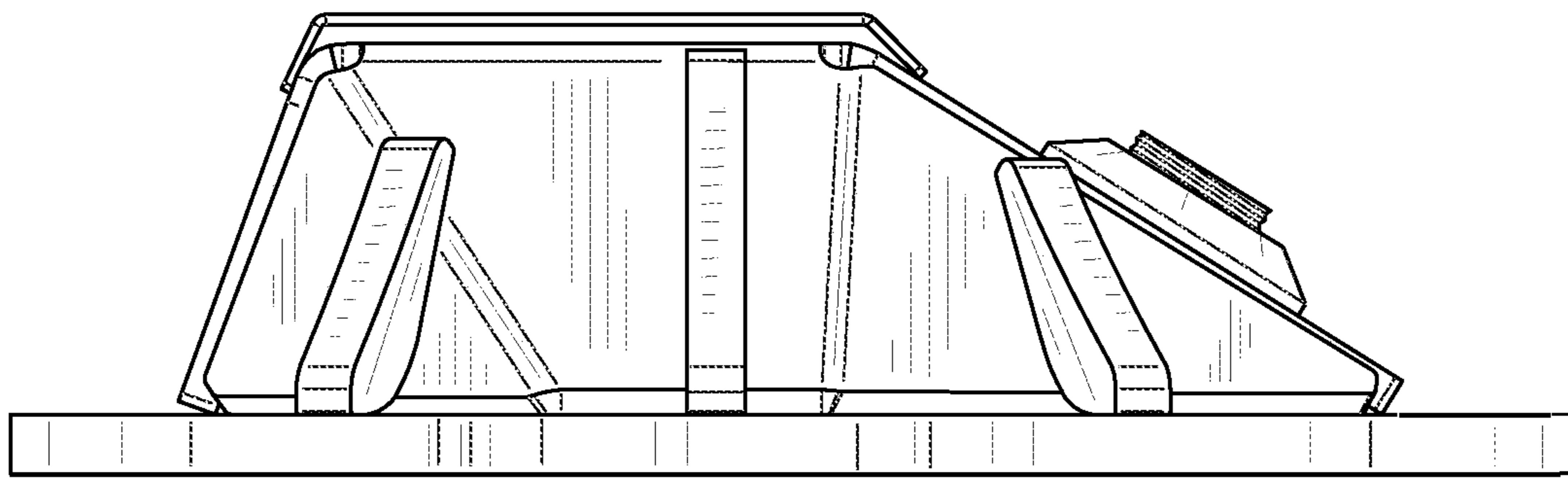


FIG. 7