



US0D1008795S

(12) **United States Design Patent**
Rowley

(10) **Patent No.:** **US D1,008,795 S**

(45) **Date of Patent:** **** Dec. 26, 2023**

(54) **THREADED INSERT WITH A
REPLACEABLE NUT ELEMENT**

(71) Applicant: **Mark David Rowley**, Friendswood, TX
(US)

(72) Inventor: **Mark David Rowley**, Friendswood, TX
(US)

(**) Term: **15 Years**

(21) Appl. No.: **29/811,468**

(22) Filed: **Oct. 14, 2021**

Related U.S. Application Data

(63) Continuation-in-part of application No. 17/240,854,
filed on Apr. 26, 2021.

(51) **LOC (14) Cl.** **08-08**

(52) **U.S. Cl.**
USPC **D8/397**

(58) **Field of Classification Search**
USPC D8/397, 382, 349, 399, 387
CPC F16B 37/14; F16B 37/125; B29C 66/474;
B29C 66/9513; F16D 13/06; F16D 13/12
See application file for complete search history.

(56) **References Cited**

U.S. PATENT DOCUMENTS

- 2,574,714 A * 11/1951 Smith F16D 13/08
192/81 C
- 2,666,468 A * 1/1954 Poupitch F16B 39/24
470/42
- 2,734,606 A * 2/1956 Bellamy F16D 27/105
192/81 R
- 3,180,387 A * 4/1965 Dzus F16B 5/0208
411/968

- 3,389,901 A * 6/1968 Wilson F16D 13/12
267/155
- D254,232 S * 2/1980 Ono D8/397
- 4,227,561 A * 10/1980 Molina F16B 37/044
411/103

(Continued)

OTHER PUBLICATIONS

Pitstopusa, Allstar Performance Aluminum Threaded Nut Insert,
pitstopusa.com.

Primary Examiner — Cynthia R Underwood

(57) **CLAIM**

The ornamental design for a threaded insert with a replace-
able nut element, as shown and described.

DESCRIPTION

FIG. 1 is an exploded top-front perspective view of a
threaded insert with a replaceable nut element showing my
new design;

FIG. 2 is an exploded bottom-rear perspective view thereof;

FIG. 3 is an exploded front elevational view thereof;

FIG. 4 is an exploded rear elevational view thereof;

FIG. 5 is an exploded left elevational view thereof;

FIG. 6 is an exploded right elevational view thereof;

FIG. 7 is an exploded top plan view thereof;

FIG. 8 is an exploded bottom plan view thereof;

FIG. 9 is an enlarged cross-sectional view taken along line
9-9 in FIG. 3;

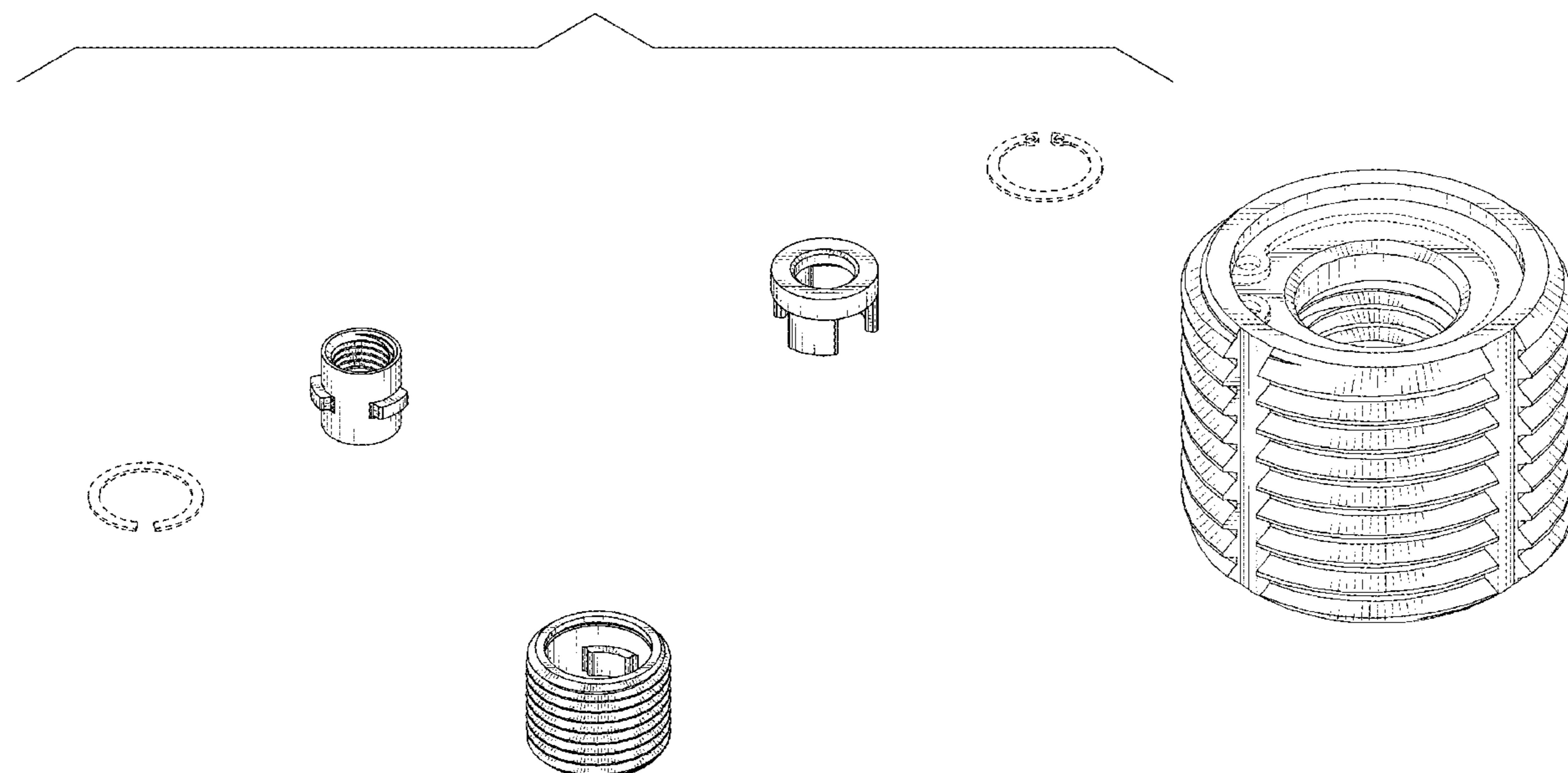
FIG. 10 is an enlarged cross-sectional view taken along line
10-10 in FIG. 3;

FIG. 11 is an enlarged cross-sectional view taken along line
11-11 in FIG. 3;

FIG. 12 is an enlarged top front perspective view thereof;
and,

FIG. 13 is an enlarged bottom rear perspective view thereof.
The broken line showing retaining rings in FIGS. 1-8, 12,
and 13 is included for the purpose of illustrating environ-
mental structure and forms no part of the claimed design.

1 Claim, 13 Drawing Sheets



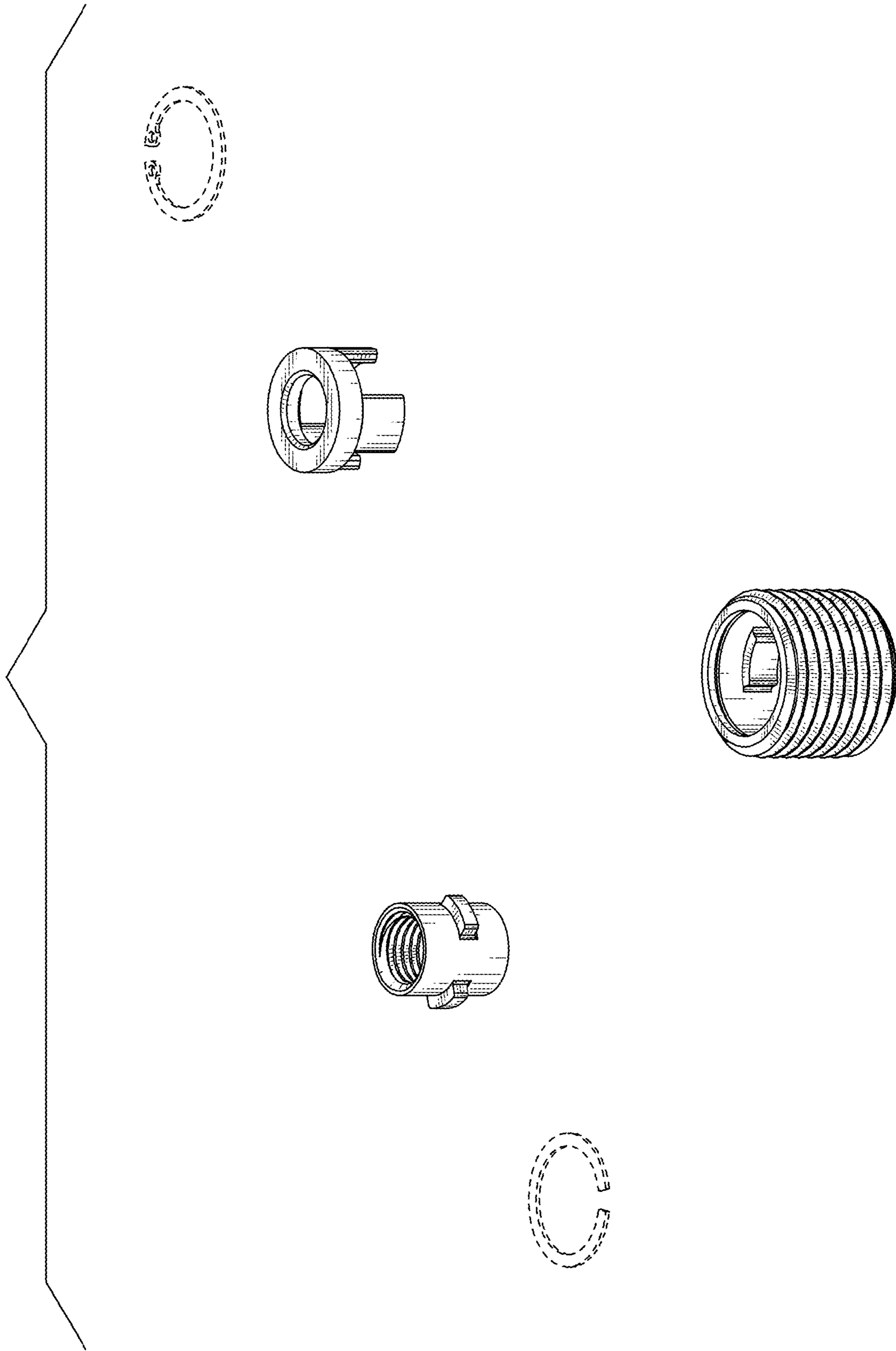


FIG. 1

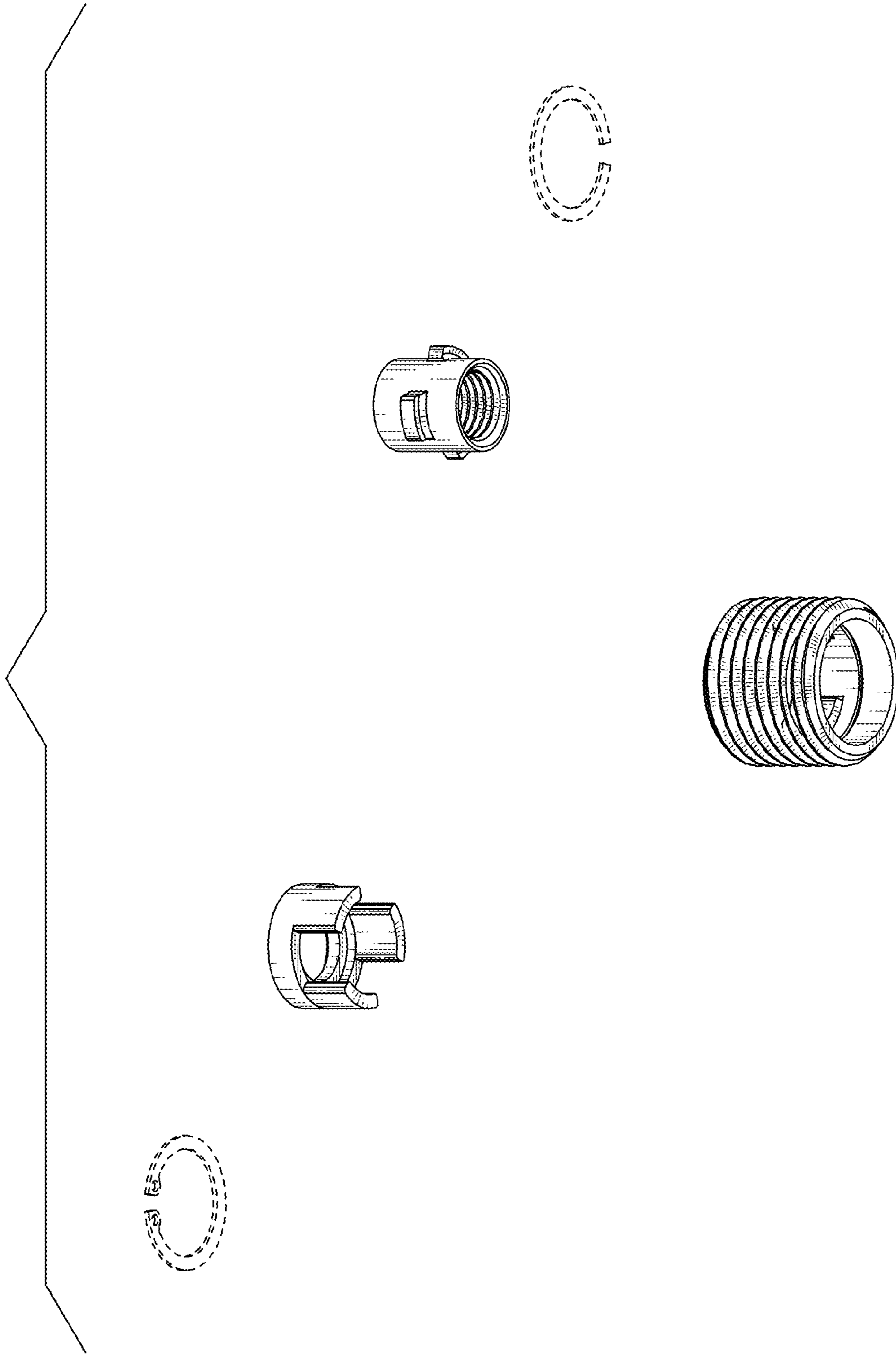


FIG. 2

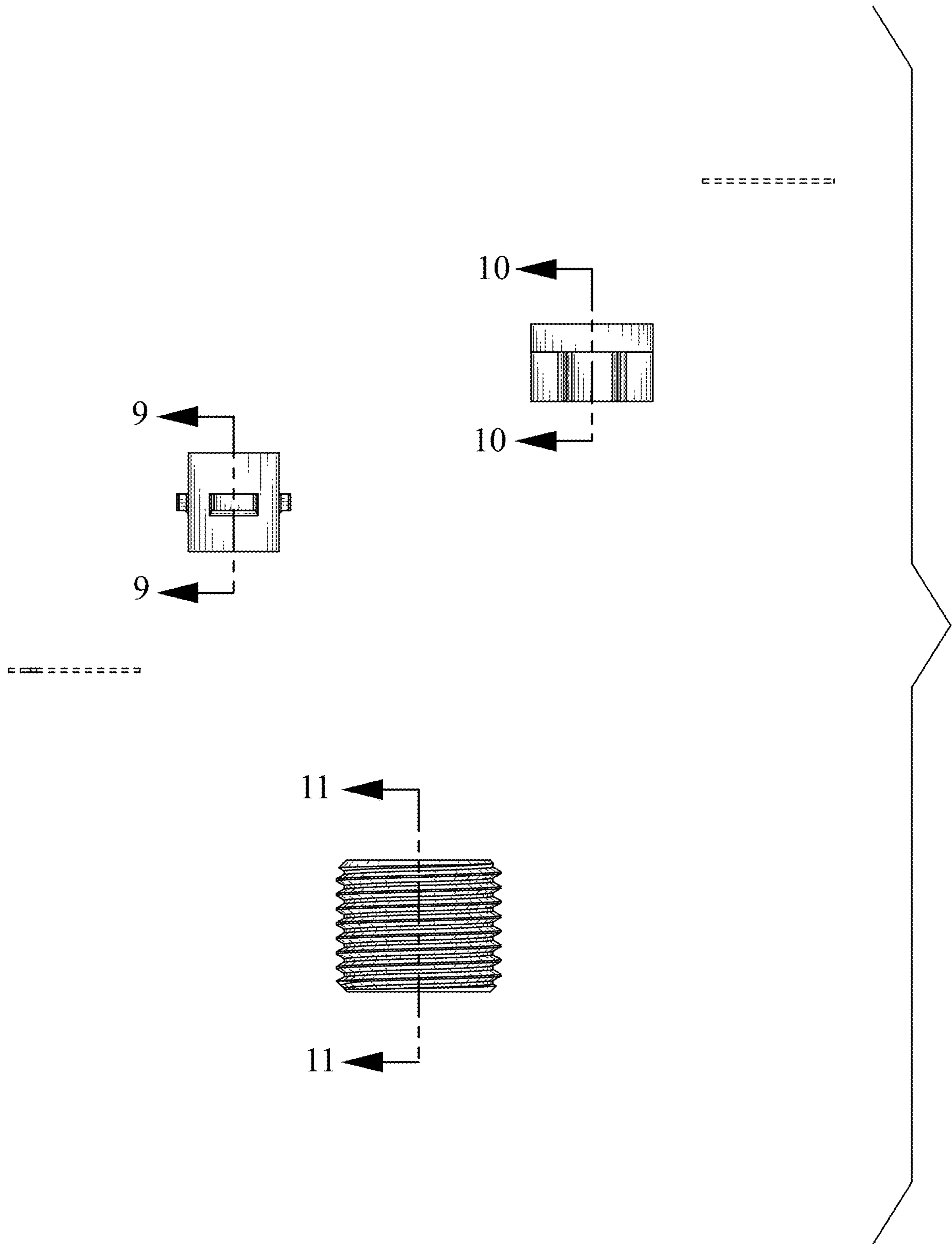


FIG. 3

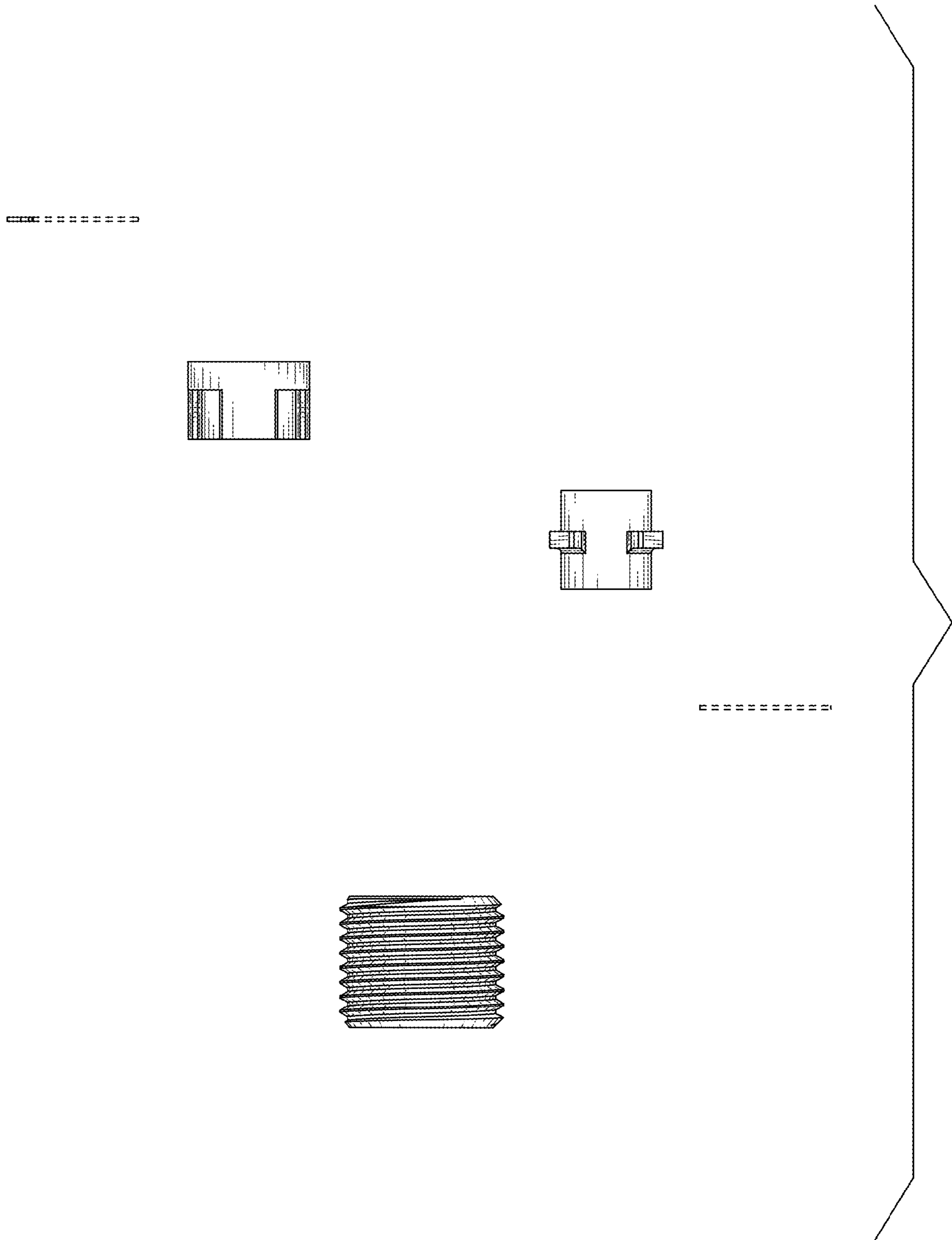


FIG. 4

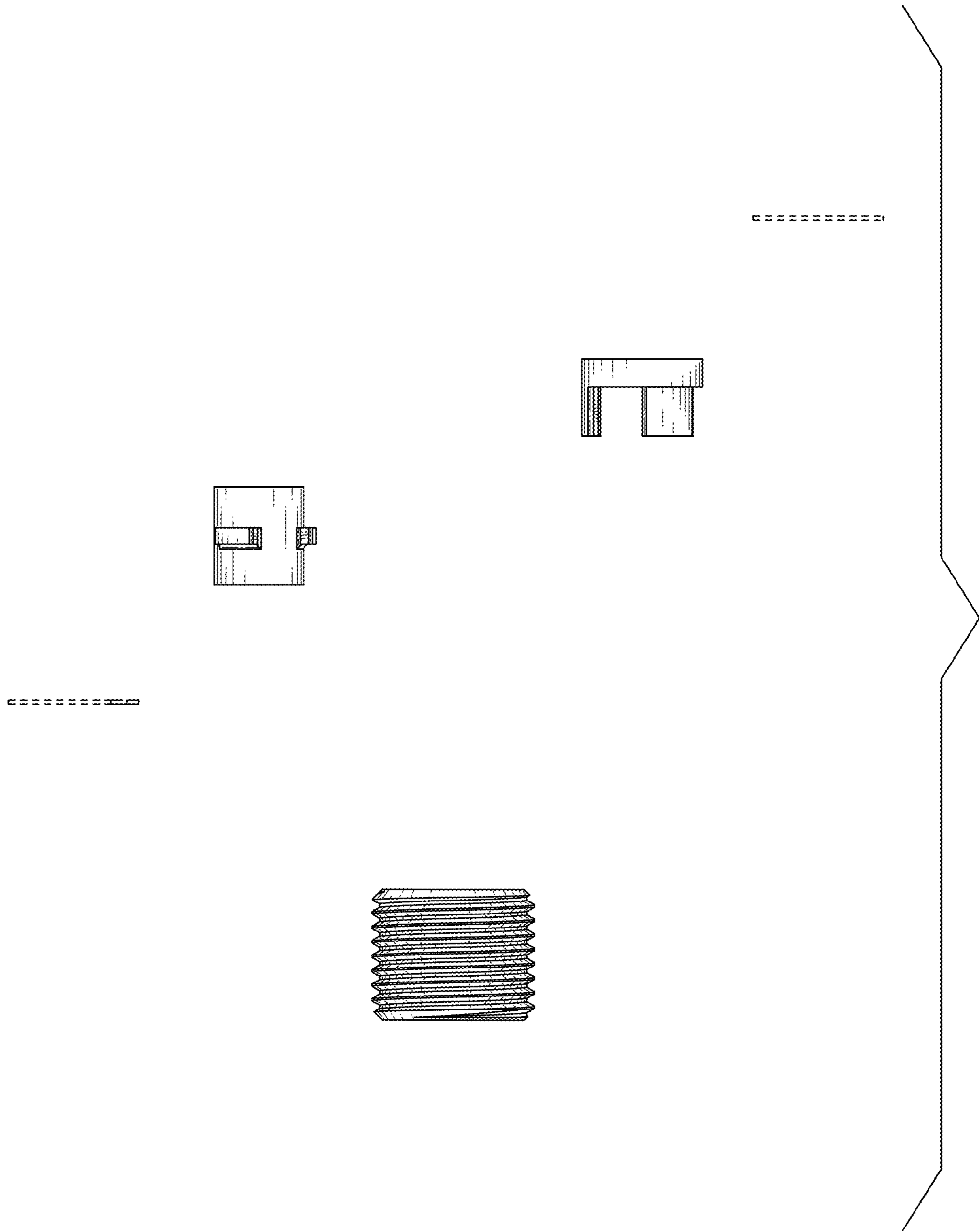


FIG. 5

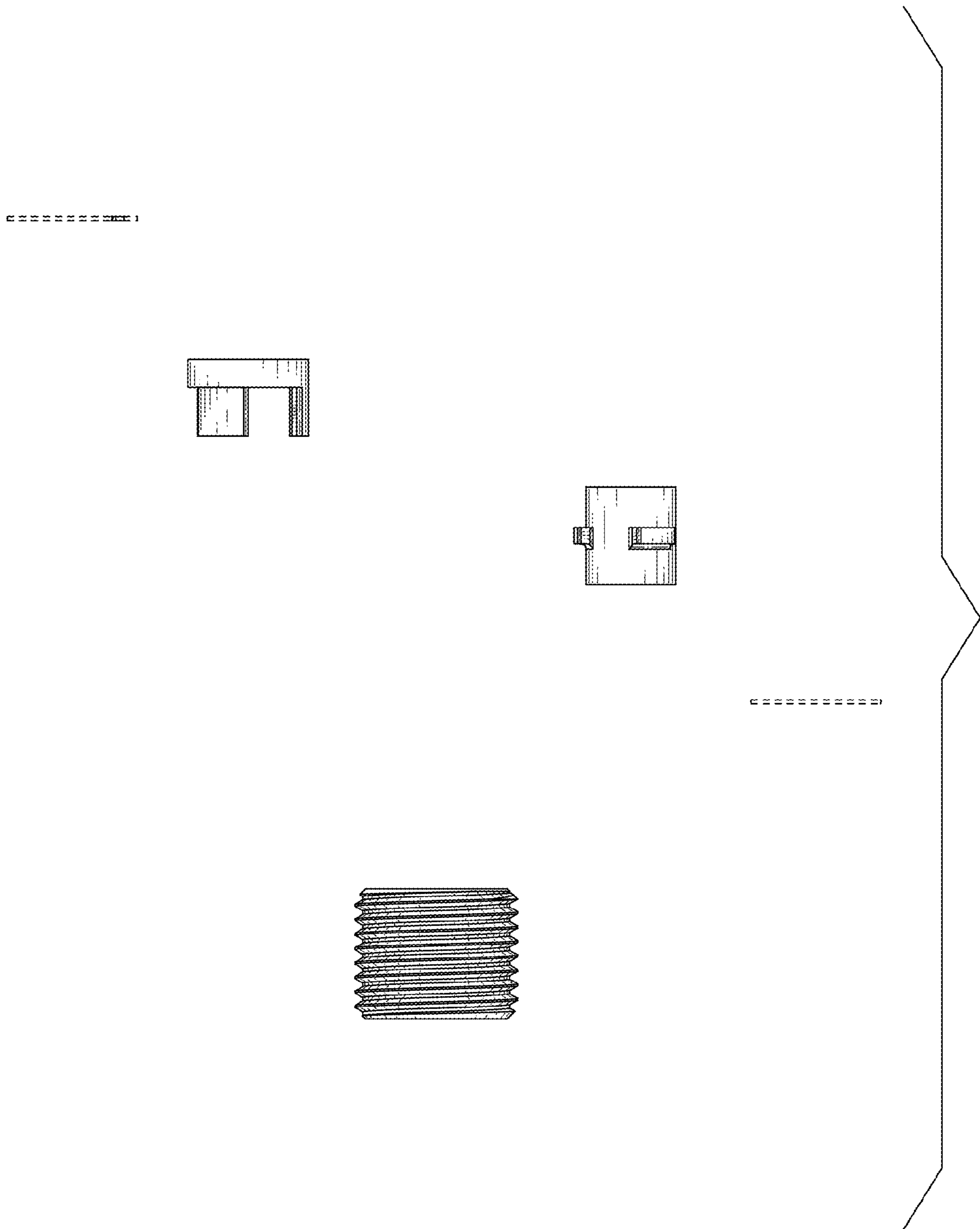


FIG. 6

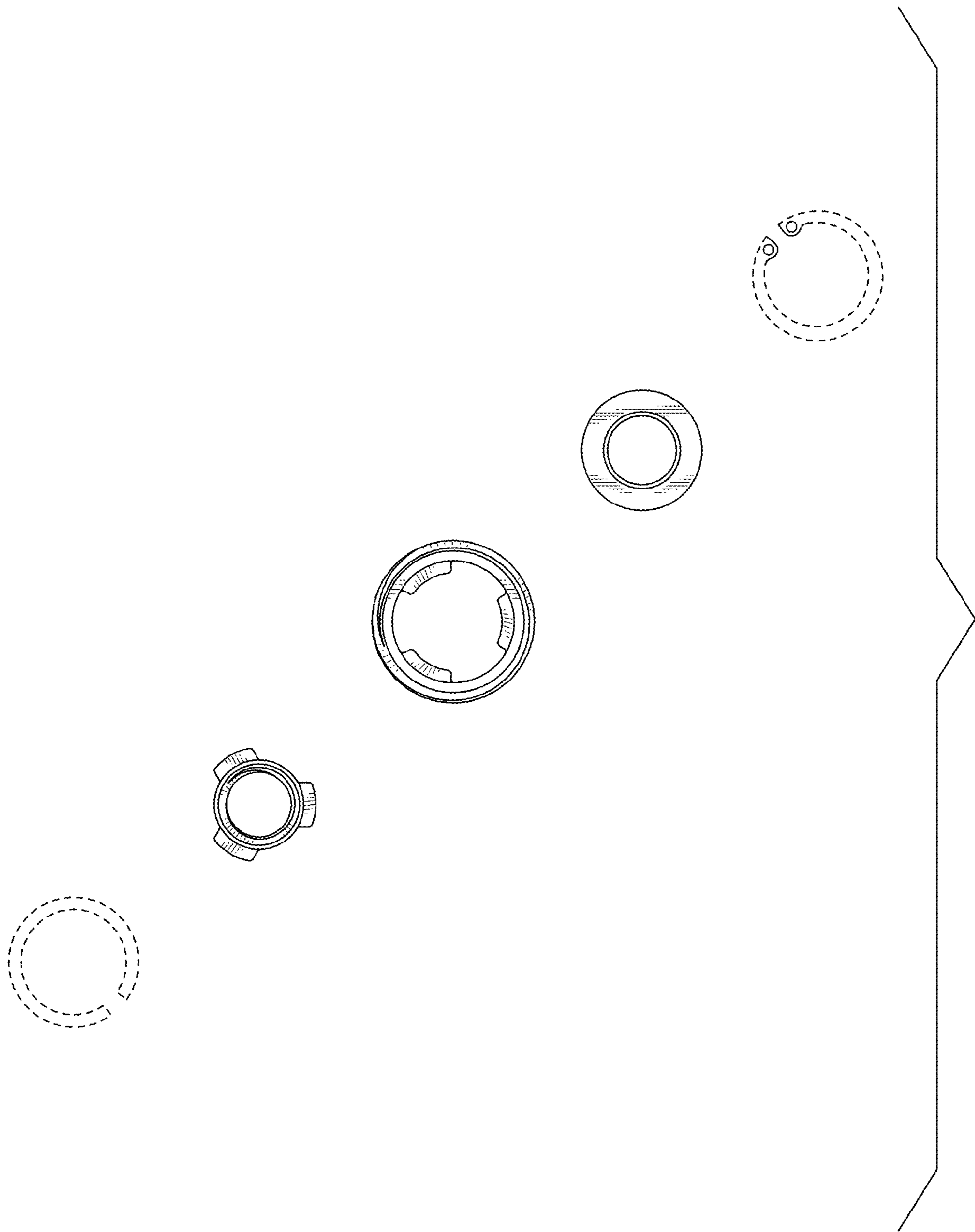


FIG. 7

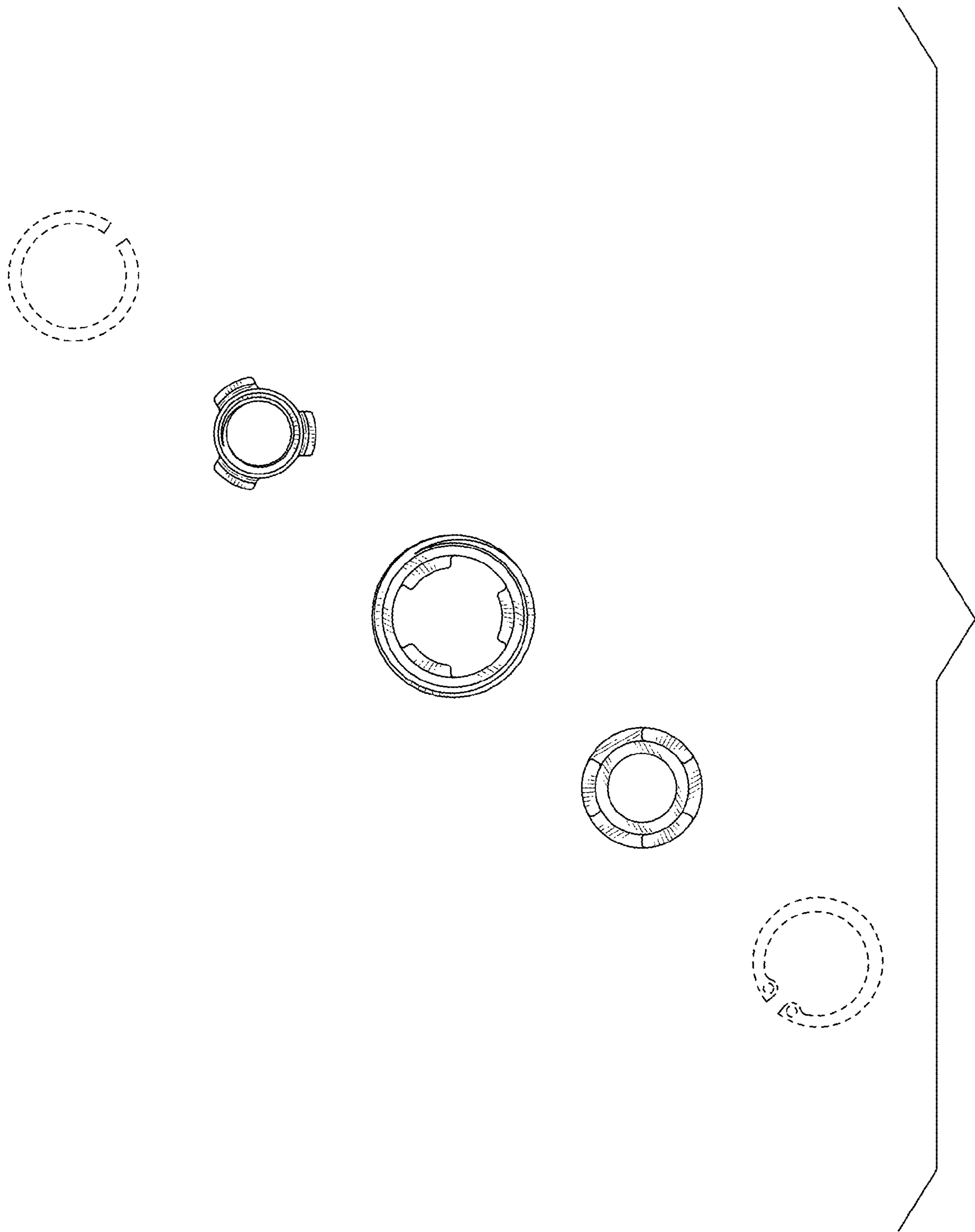


FIG. 8

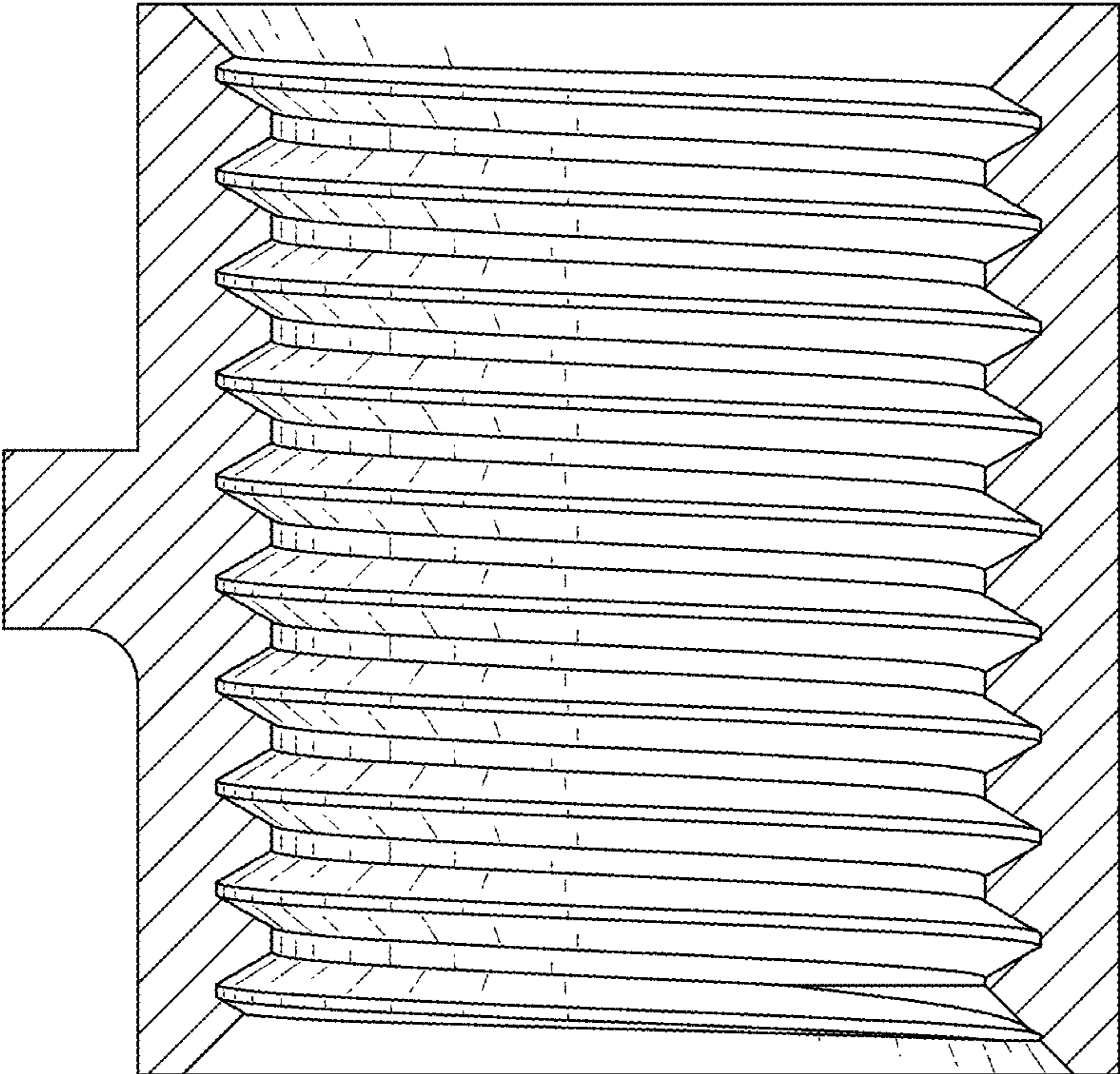


FIG. 9

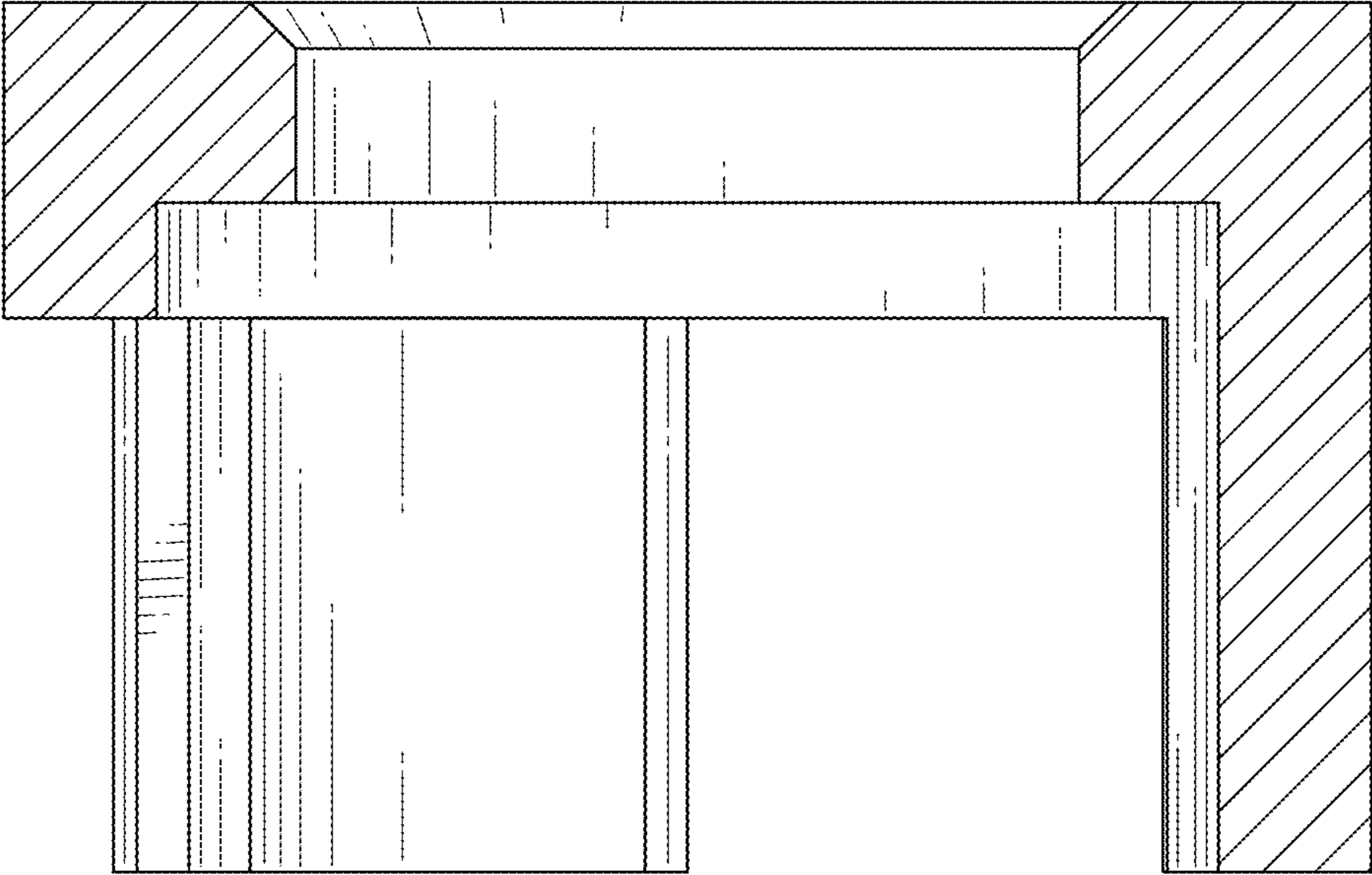


FIG. 10

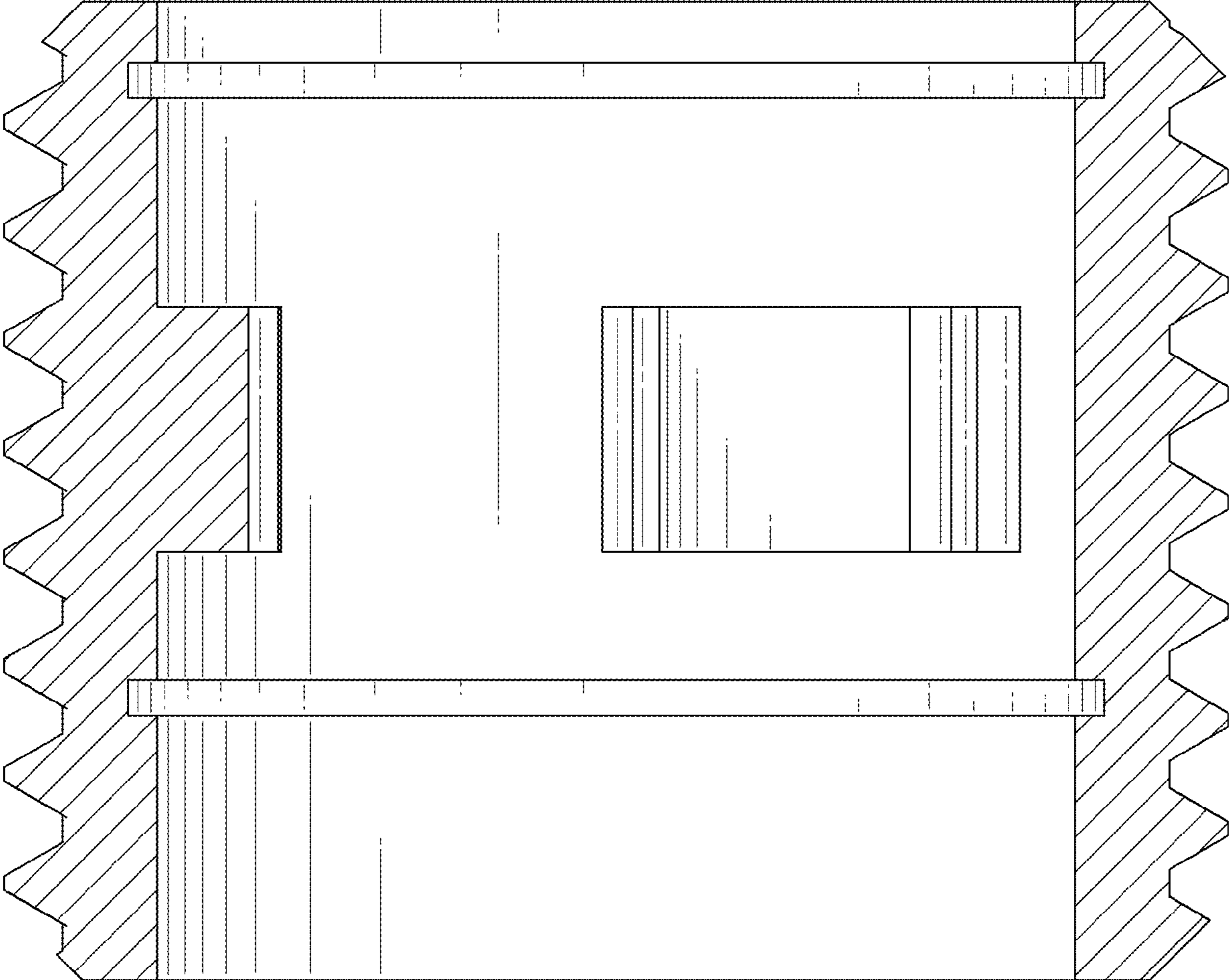


FIG. 11

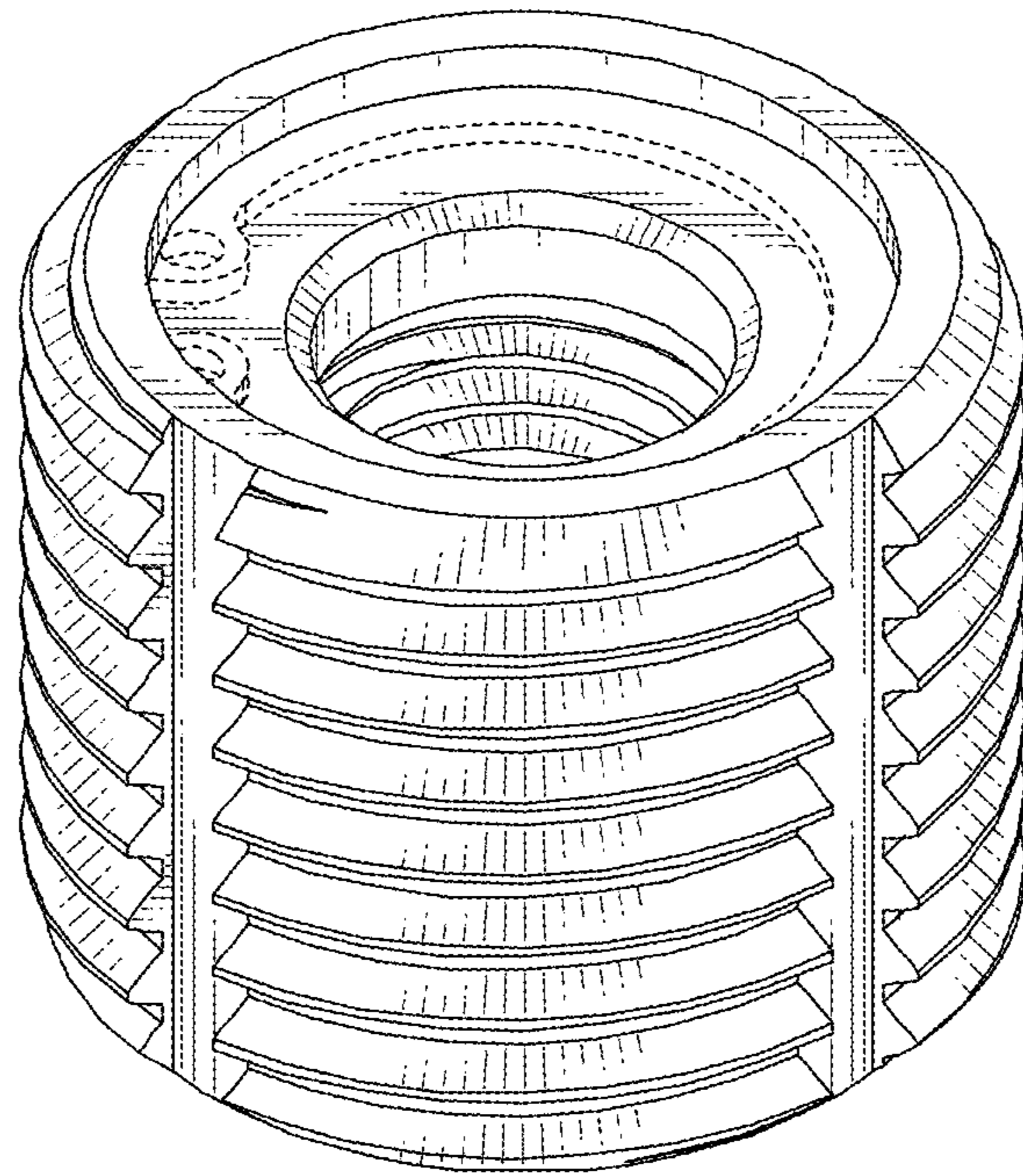


FIG. 12

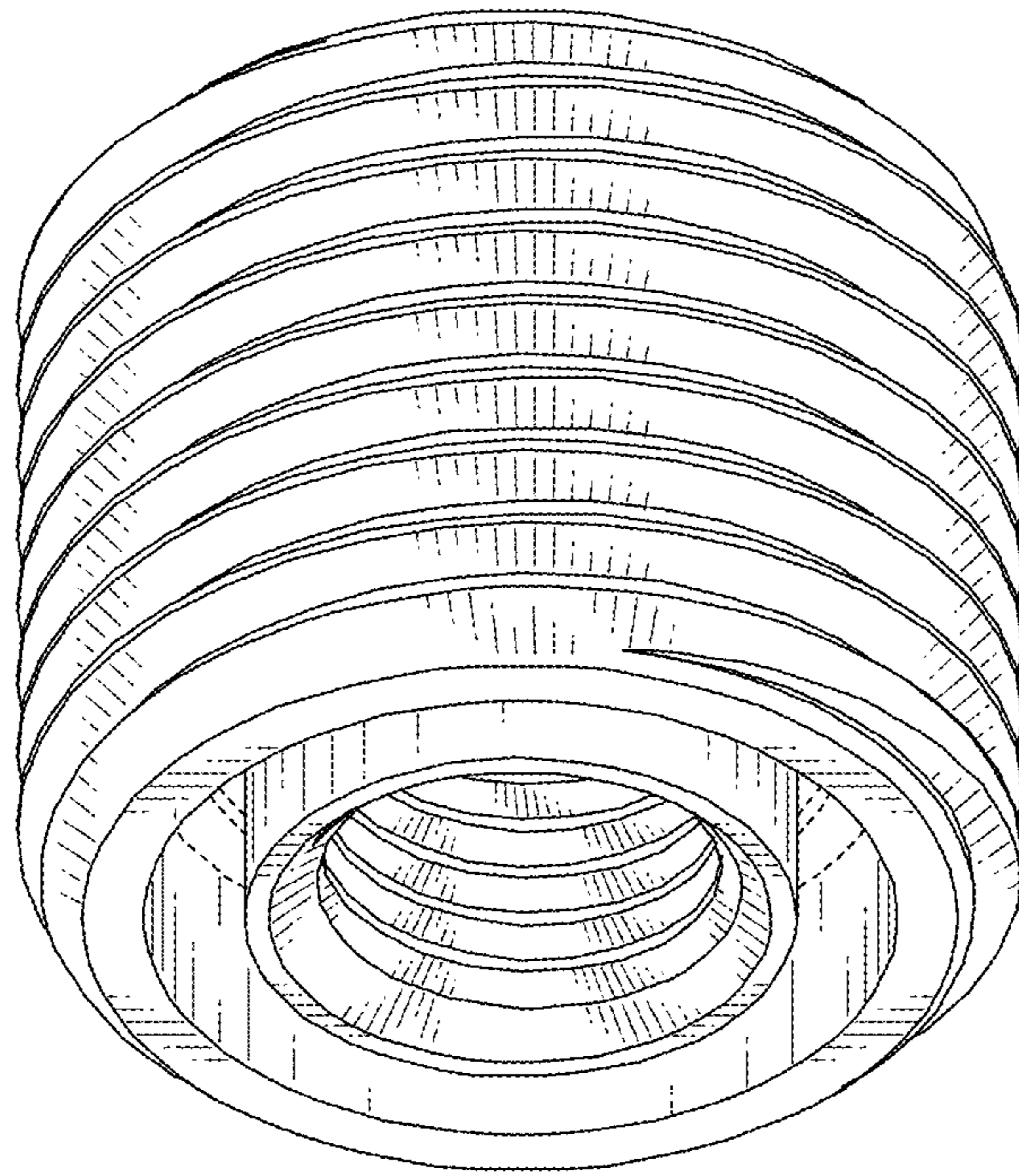


FIG. 13