



US0D1008698S

(12) **United States Design Patent** (10) **Patent No.: US D1,008,698 S**  
**Ali et al.** (45) **Date of Patent: \*\* Dec. 26, 2023**

(54) **MODULAR LIVING WALL PLANTER COMPONENT**

5,806,107 A \* 9/1998 Tilton ..... E03D 13/00  
4/301  
5,873,465 A \* 2/1999 Weder ..... B65D 85/52  
206/584  
D614,427 S \* 4/2010 Nejad ..... D6/553  
D663,174 S \* 7/2012 Dickson ..... D8/1

(71) Applicant: **The Texas A&M University System,**  
College Station, TX (US)

(72) Inventors: **Ahmed K. Ali,** College Station, TX  
(US); **Bruce D. Dvorak,** College  
Station, TX (US); **Panwang Huo,**  
Dallas, TX (US); **Karishma Joshi,**  
College Station, TX (US); **Niti Tataria,**  
College Station, TX (US)

(73) Assignee: **The Texas A&M University System,**  
College Station, TX (US)

(\*\*) Term: **15 Years**

(21) Appl. No.: **29/733,059**

(22) Filed: **Apr. 29, 2020**

(51) **LOC (14) Cl.** ..... **11-02**

(52) **U.S. Cl.**  
USPC ..... **D6/556**

(58) **Field of Classification Search**  
USPC ..... D11/143-156, 164; D3/304, 313, 314;  
D6/403, 404, 405, 556, 557, 558  
CPC . A01G 5/04; A01G 9/02; A01G 9/021; A01G  
9/022; A01G 9/026; A01G 9/027; A01G  
9/029; A01G 9/033; A47G 7/00; A47G  
7/02; A47G 7/04; A47G 7/041; A47G  
7/044; A47G 7/047; A47G 7/06; A47G  
7/063; A47G 7/08

See application file for complete search history.

(56) **References Cited**

**U.S. PATENT DOCUMENTS**

D128,814 S \* 8/1941 Wells ..... D6/553  
D195,617 S \* 7/1963 Eger ..... D11/143  
D209,693 S \* 12/1967 Pittman ..... 73/426  
D364,340 S \* 11/1995 Weder ..... D9/712  
D394,989 S \* 6/1998 Block ..... D7/700

(Continued)

**OTHER PUBLICATIONS**

Research.tamu.edu website, Living wall features Texas plants and sheet metal byproducts from autos, Dec. 4, 2018, <https://research.tamu.edu/2018/12/04/living-wall-combines-sheet-metal-from-junked-cars-with-native-plants/> (Year: 2018).\*

(Continued)

*Primary Examiner* — Nathan M Johnston

(74) *Attorney, Agent, or Firm* — Tumey L.L.P.

(57) **CLAIM**

The ornamental design for a modular living wall planter component, as shown and described.

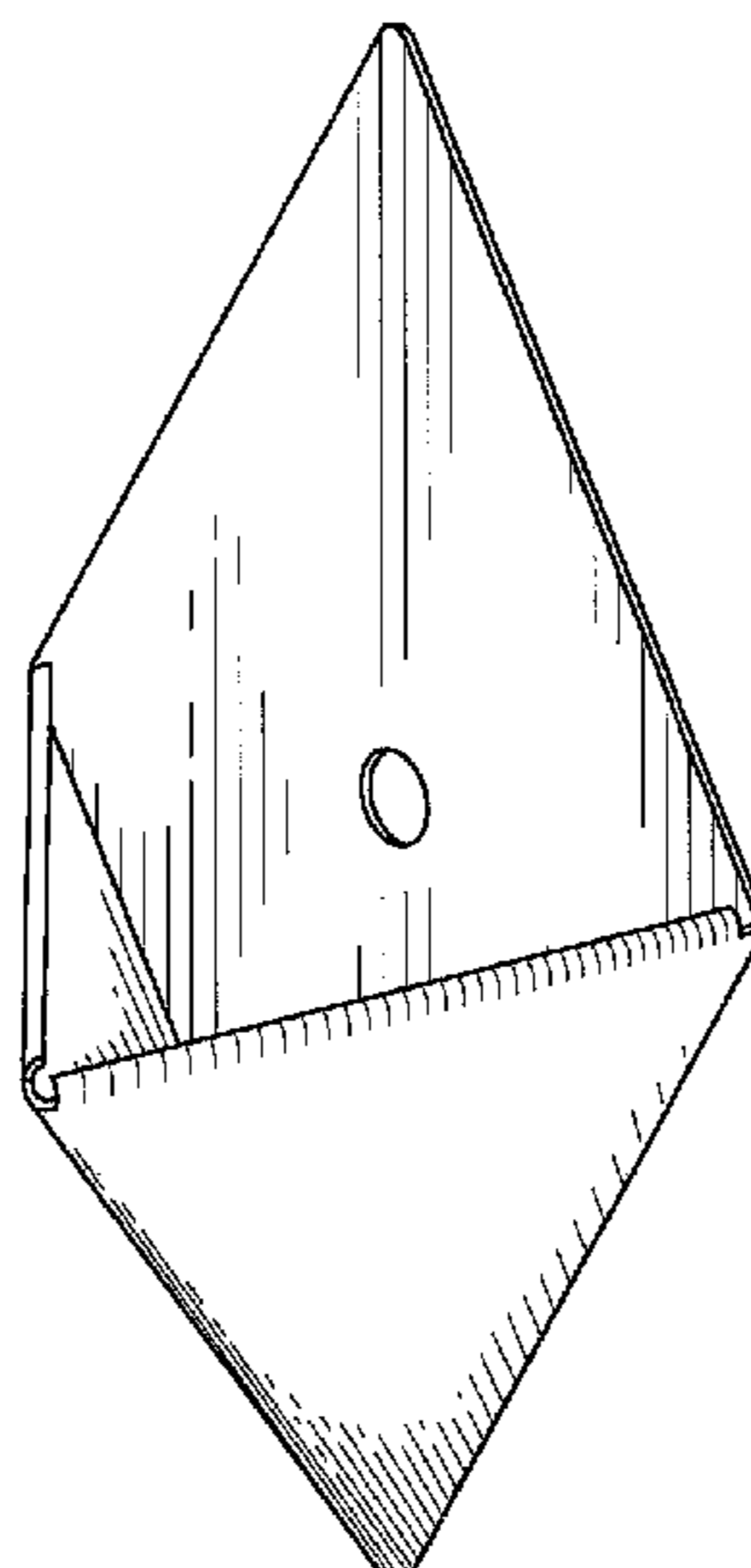
**DESCRIPTION**

The inventors claim a right of priority to U.S. Provisional Patent Application No. 62/840,868, which has a priority date of Apr. 30, 2019.

FIG. 1 is a perspective view of a modular living wall planter component showing our new design; FIG. 2 is a front elevation view thereof; FIG. 3 is a rear elevation view thereof; FIG. 4 is a right elevation view thereof; FIG. 5 is a left elevation view thereof; FIG. 6 is a top plan view thereof; FIG. 7 is a bottom plan view thereof; and, FIG. 8 is a perspective view of the modular living wall planter component shown in its environment.

The broken lines shown in the drawings illustrate use and environment of the modular living wall planter component that form no part of the claimed design.

**1 Claim, 3 Drawing Sheets**



(56)

**References Cited**

U.S. PATENT DOCUMENTS

D745,328 S \* 12/2015 Magri ..... D7/567  
D754,334 S \* 4/2016 Rudolph ..... D24/122  
D802,123 S \* 11/2017 Jones ..... D24/122  
D876,240 S \* 2/2020 Eijkenaar ..... D9/712

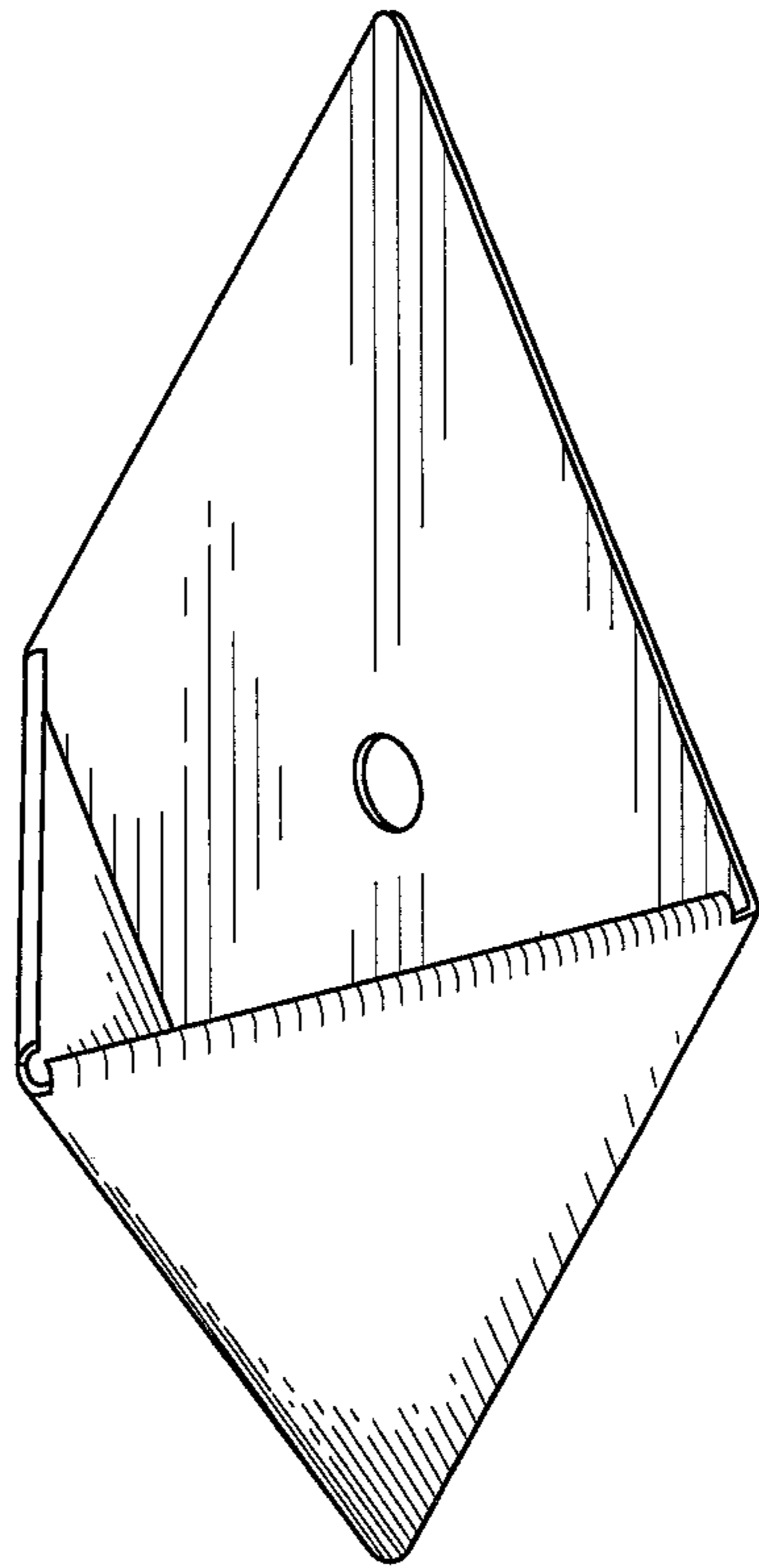
OTHER PUBLICATIONS

newsarchive.arch.tamu.edu website, Innovative 'gree' wall features sheet metal, native Texas plants, Nov. 27, 2018, <https://newsarchive.arch.tamu.edu/news/2018/11/27/arch-landscape-arch-profs-design-innovative-green-wall-waste-metal/index.html> (Year: 2018).\*

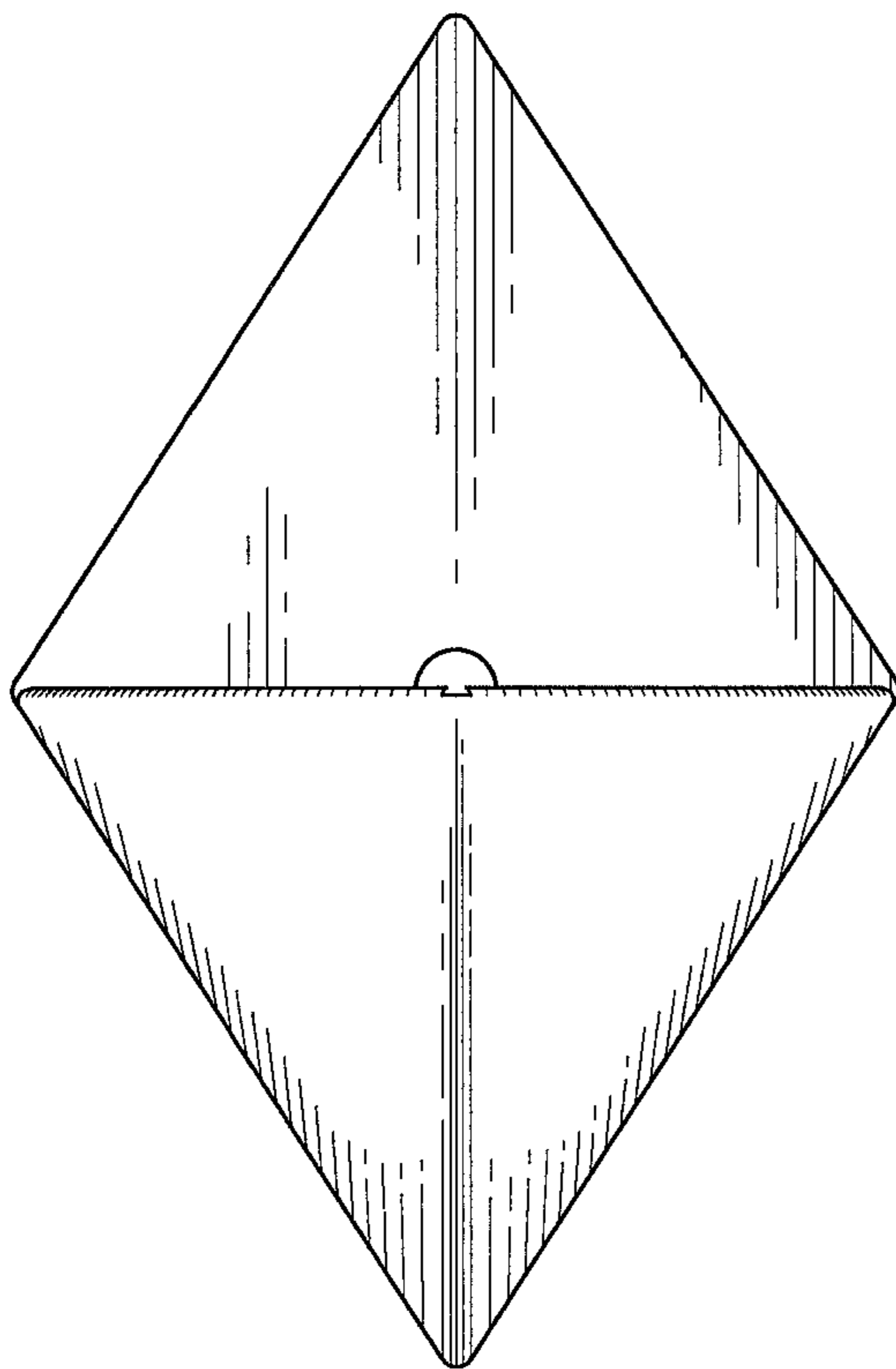
cbe.tamu.edu website Council for the built environment "track b" report, Apr. 20, 2018, <http://cbe.tamu.edu/Data/Sites/1/allouruploads/cbeactions/2018cbeactions/042018livingwall.pdf> (Year: 2018).\*

Amazon.com, Qssky Set of 7 Wall Planter Imitation Ceramic Gray Flower Pots, Nov. 23, 2021, <https://www.amazon.com/Qssky-Planter-Imitation-Ceramic-Vertical/dp/B09MFJCZR4/> (Year: 2021).\*

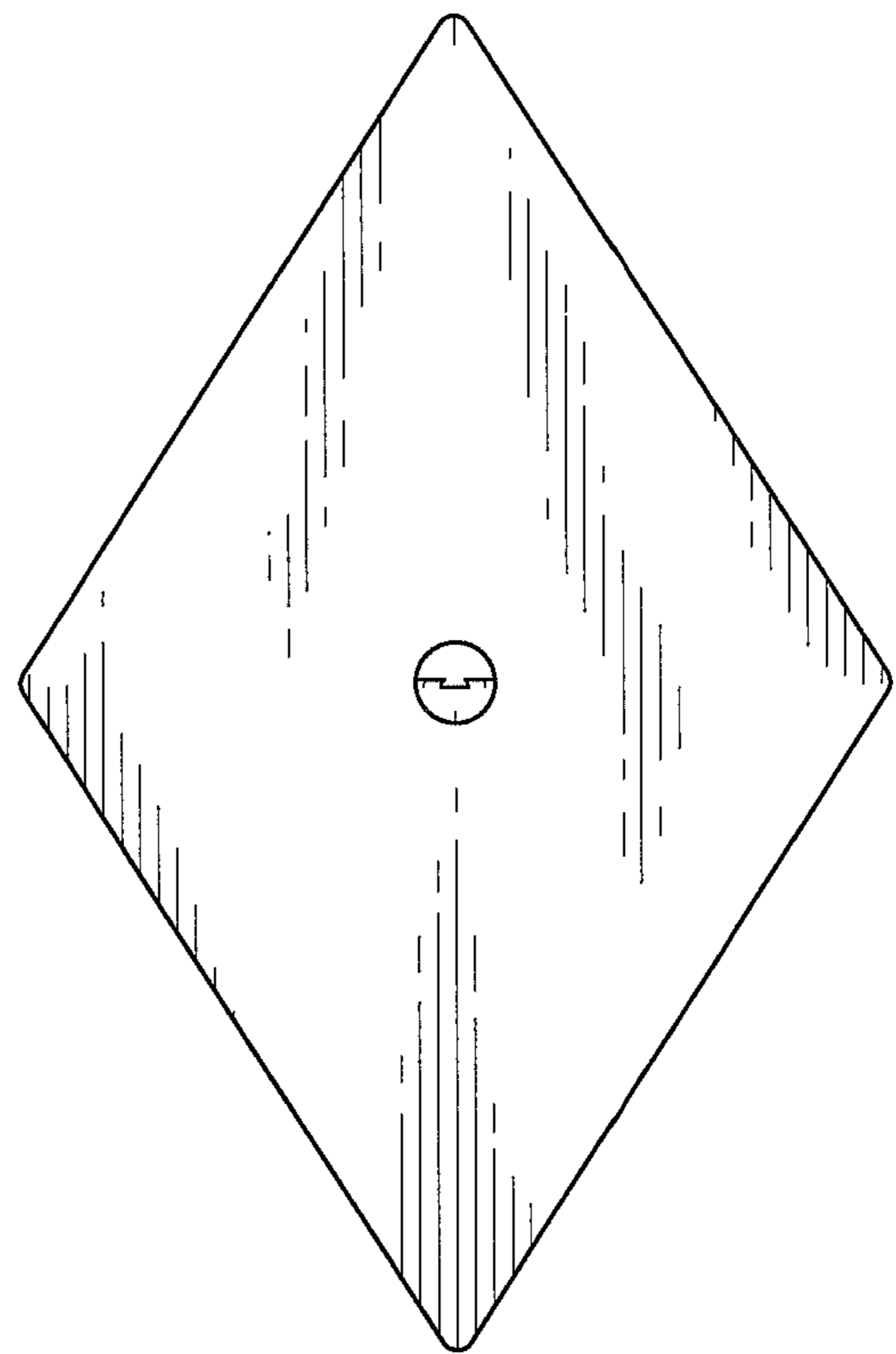
\* cited by examiner



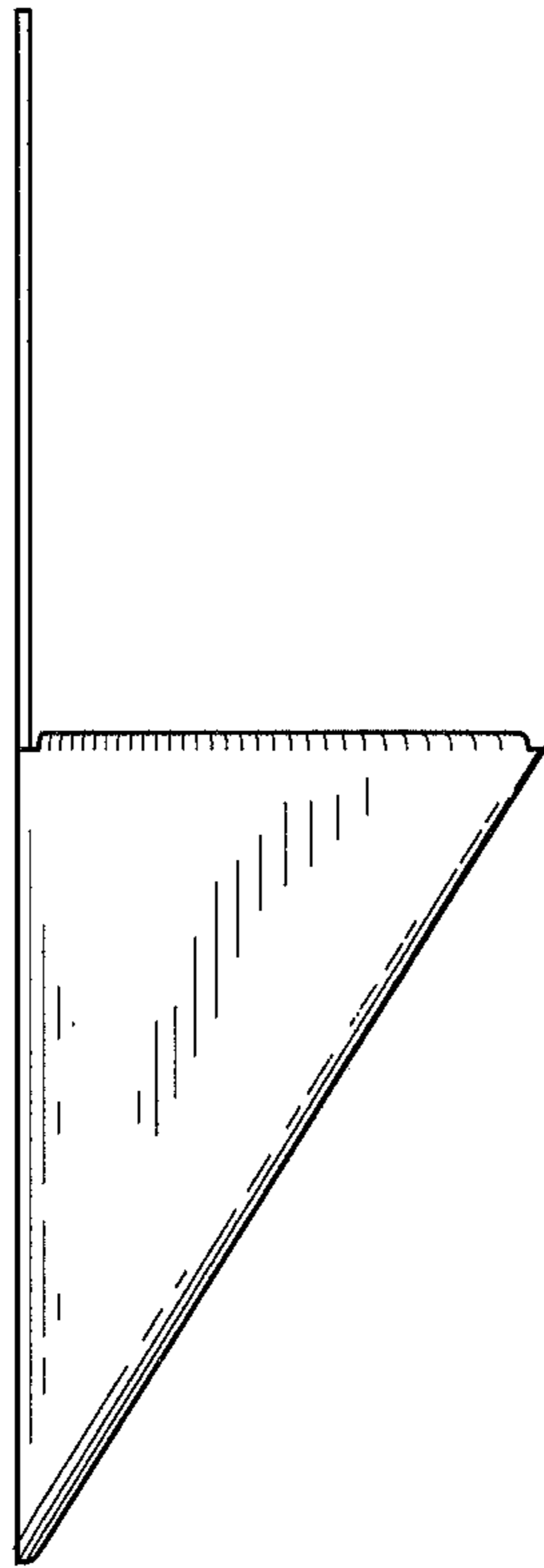
**FIG. 1**



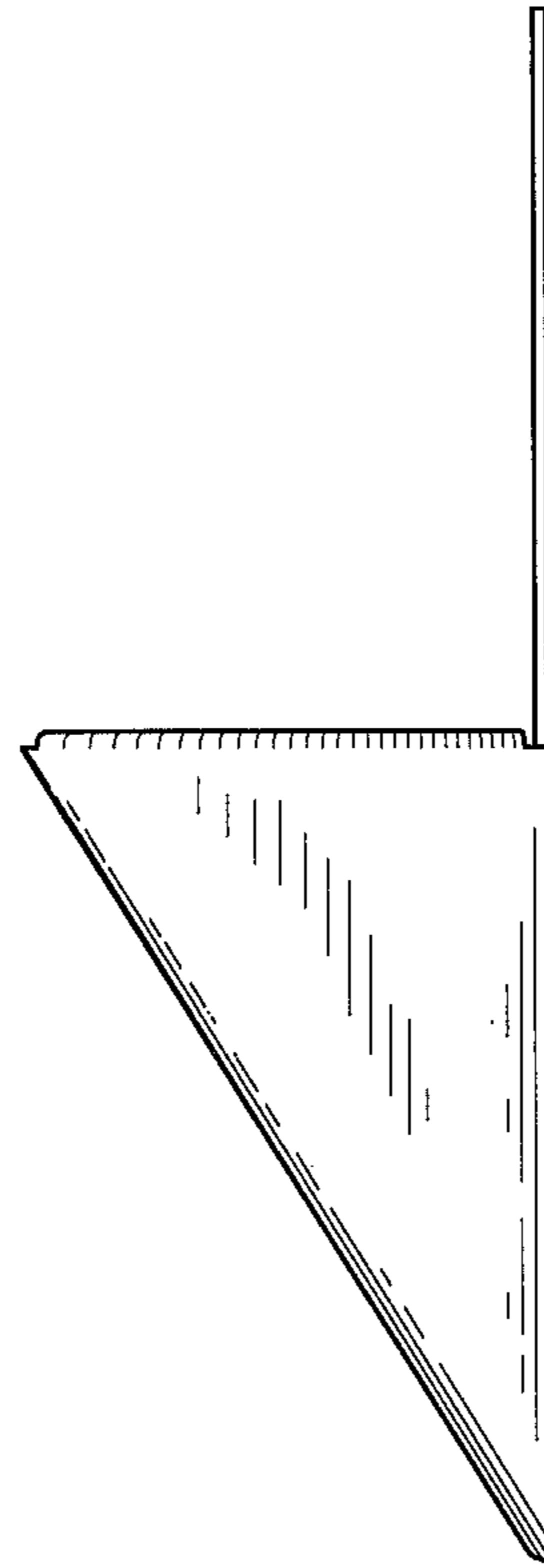
**FIG. 2**



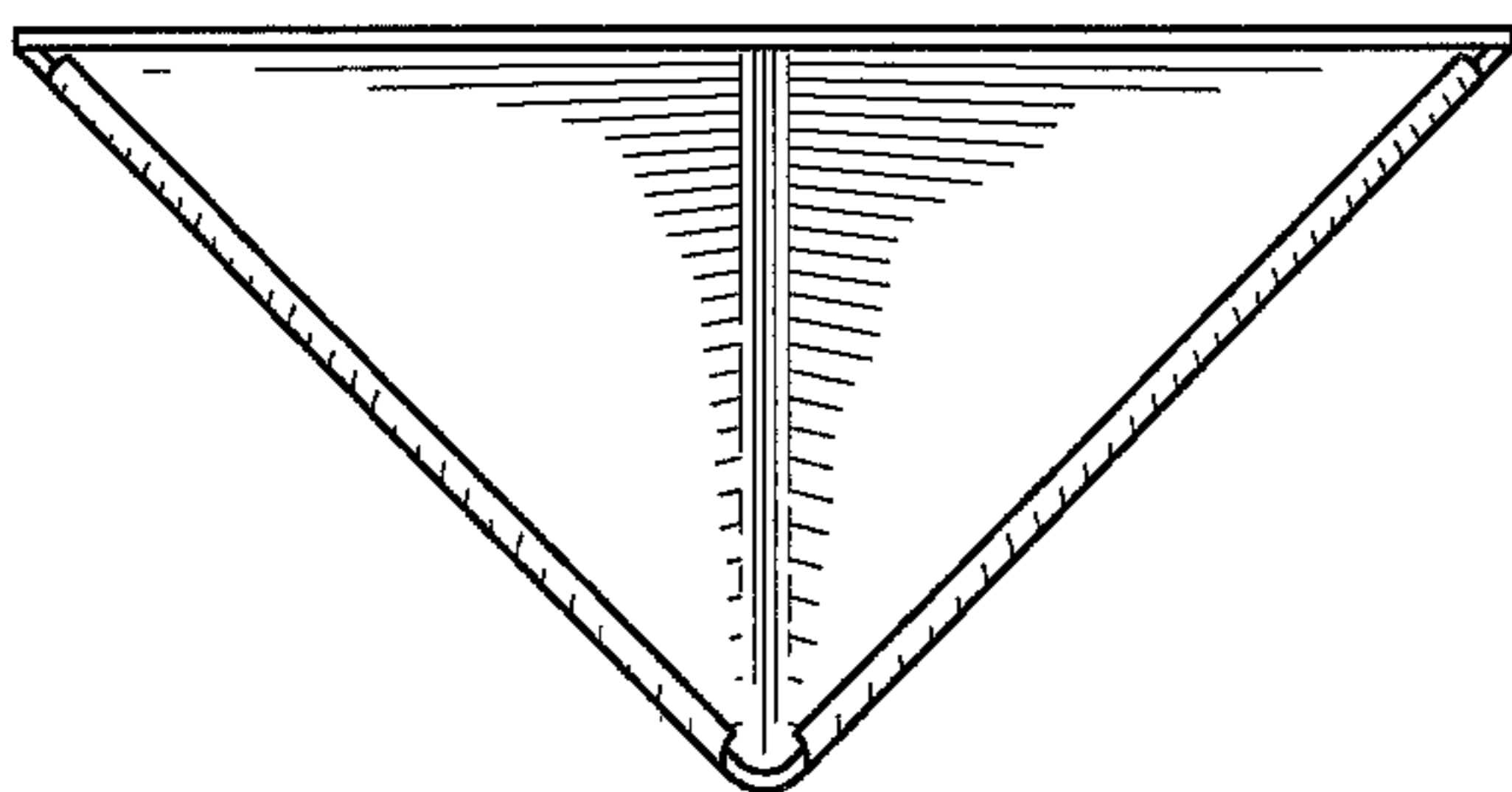
**FIG. 3**



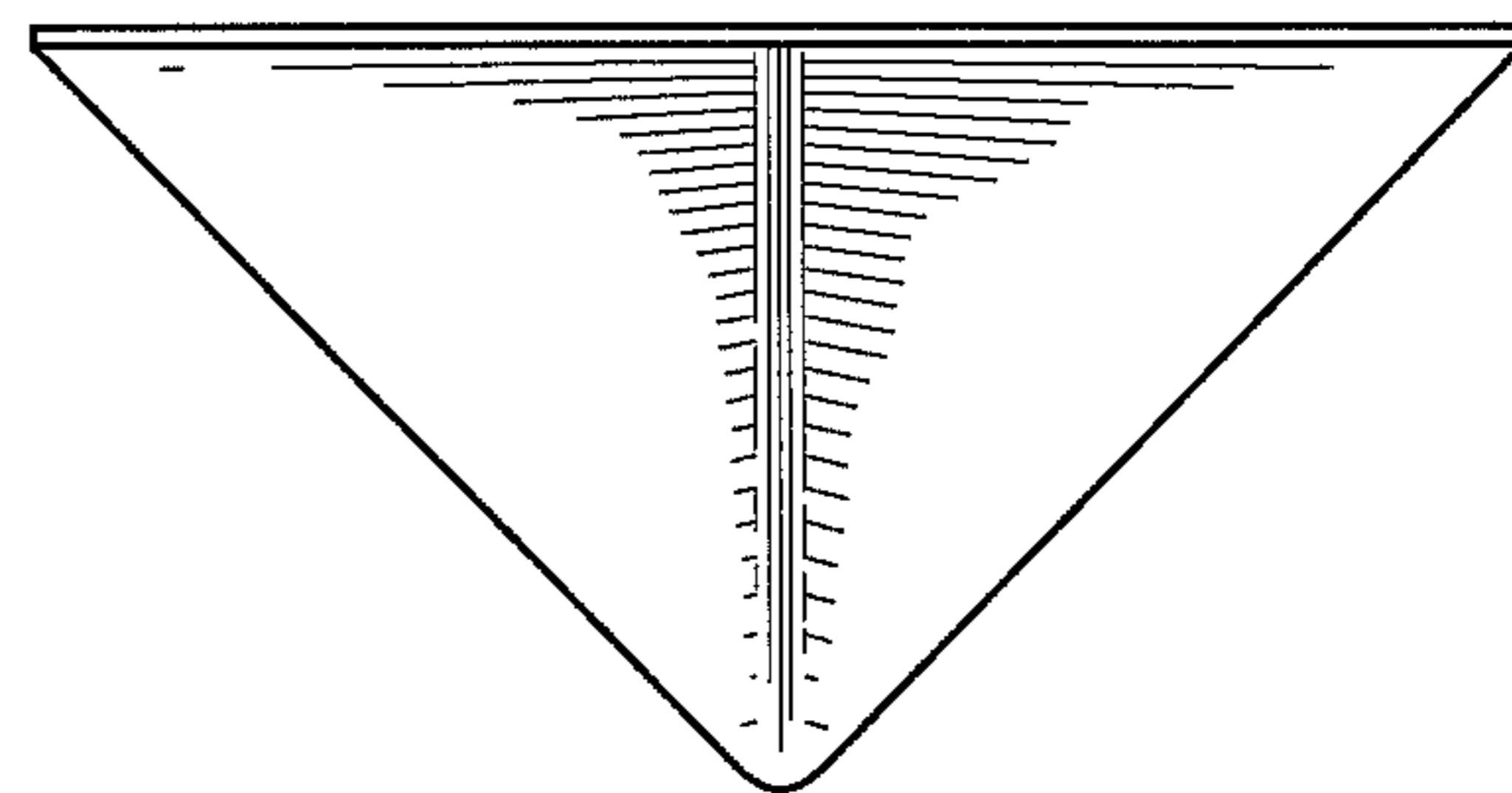
**FIG. 4**



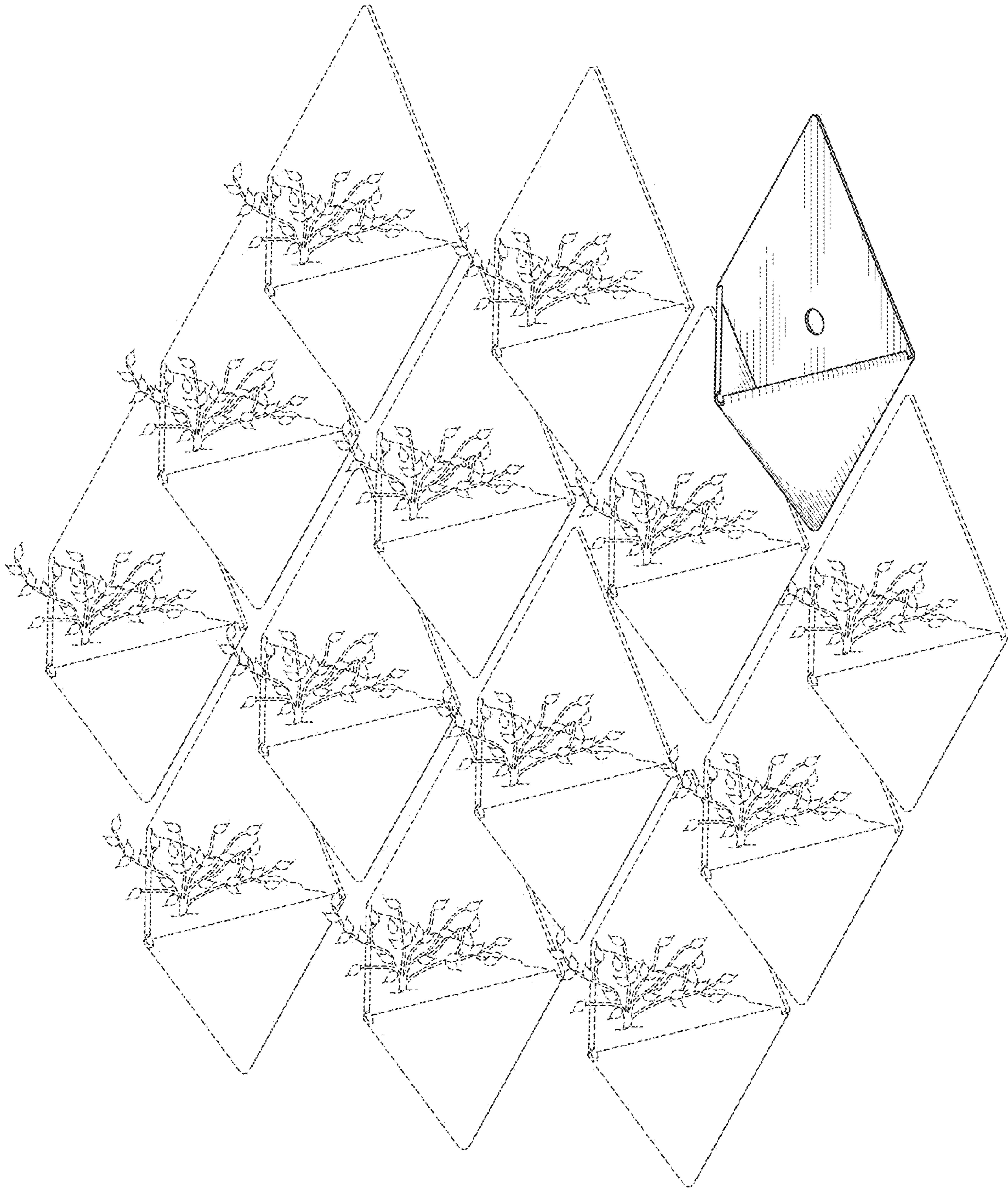
**FIG. 5**



**FIG. 6**



**FIG. 7**



**FIG. 8**