



US0D1008672S

(12) **United States Design Patent** (10) **Patent No.:** **US D1,008,672 S**
Andersen (45) **Date of Patent:** **** Dec. 26, 2023**

(54) **CHILD'S SEAT**

(71) Applicant: **Jesper Birk Andersen**, Hong Kong (CN)

(72) Inventor: **Jesper Birk Andersen**, Hong Kong (CN)

(**) Term: **15 Years**

(21) Appl. No.: **29/832,593**

(22) Filed: **Mar. 29, 2022**

(51) **LOC (14) Cl.** **06-01**

(52) **U.S. Cl.**
USPC **D6/333**

(58) **Field of Classification Search**
USPC D6/334-336, 338-339, 491, 333, 716,
D6/716.1-716.7; D12/129; D21/412,
D21/419

CPC A47D 13/02; A47D 13/10; A47D 1/00;
A47D 1/002; A47D 1/004; B60N 2/22;
B60N 2/24; A47C 7/021; A47C 7/022;
A47C 7/002; A47C 7/18; A47C 7/24;
A47C 3/00; A47C 3/02; A47C 3/025;
A47C 3/20; A47C 1/00; A47C 1/02;
A47C 1/04; A47C 1/06

See application file for complete search history.

(56) **References Cited**

U.S. PATENT DOCUMENTS

D468,913 S *	1/2003	Desnos	D6/333
D573,800 S *	7/2008	Backstrom	D6/333
9,534,422 B1	1/2017	Andersen		
D924,380 S *	7/2021	Stroikov	D6/333
D957,149 S *	7/2022	Huntley	D6/333
D959,863 S *	8/2022	Ma	D6/333
D961,946 S *	8/2022	Padgett	D6/333

* cited by examiner

Primary Examiner — Abraham Bahta

(74) *Attorney, Agent, or Firm* — Lippes Mathias LLP

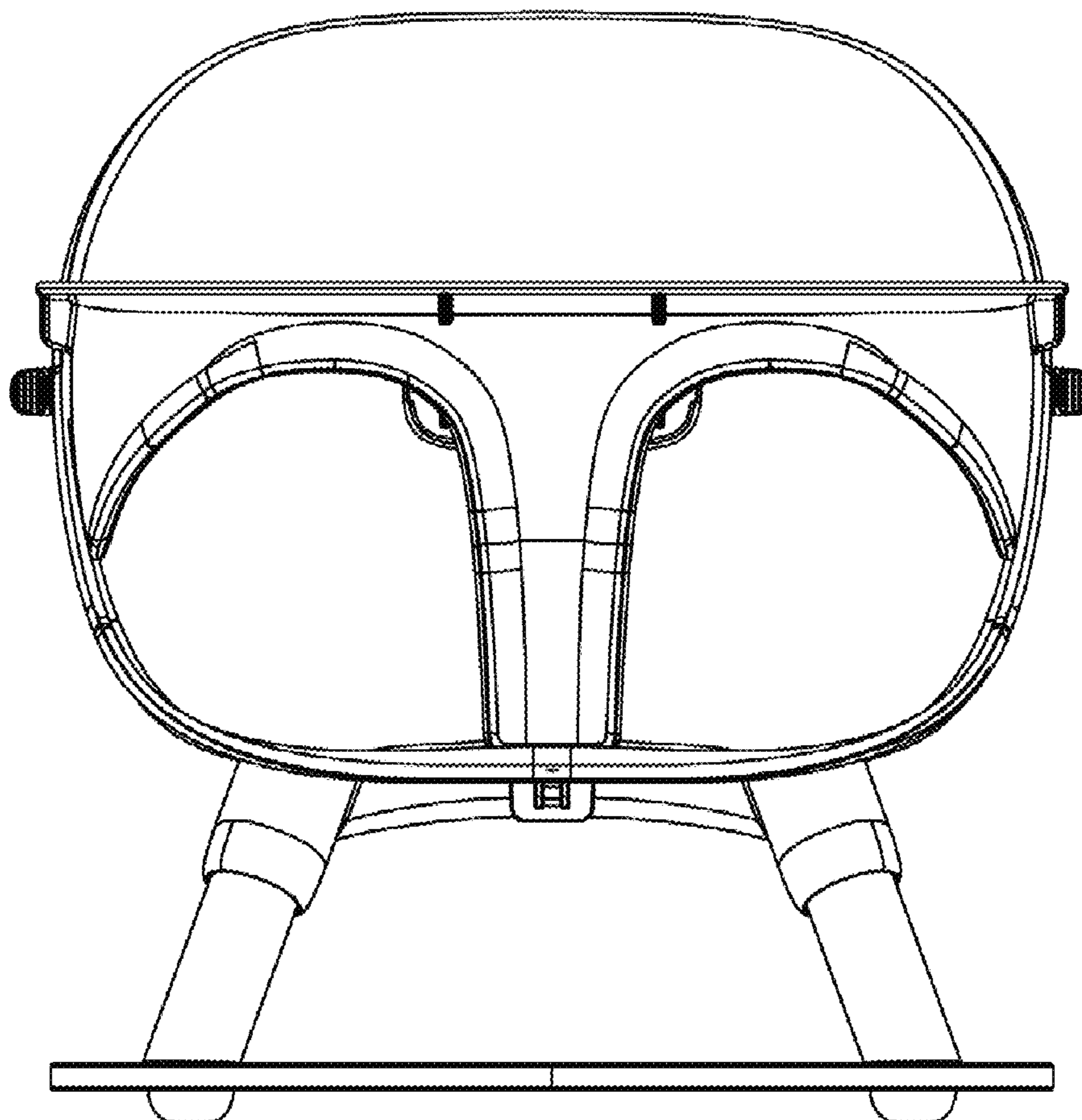
(57) **CLAIM**

The ornamental design for a child's seat, as shown and described.

DESCRIPTION

FIG. 1 is a front view of a child's seat;
FIG. 2 is a rear view of the child's seat;
FIG. 3 is a right side view of the child's seat;
FIG. 4 is a top view of the child's seat;
FIG. 5 is a bottom view of the child's seat; and,
FIG. 6 is a front top perspective view of the child's seat.

1 Claim, 4 Drawing Sheets



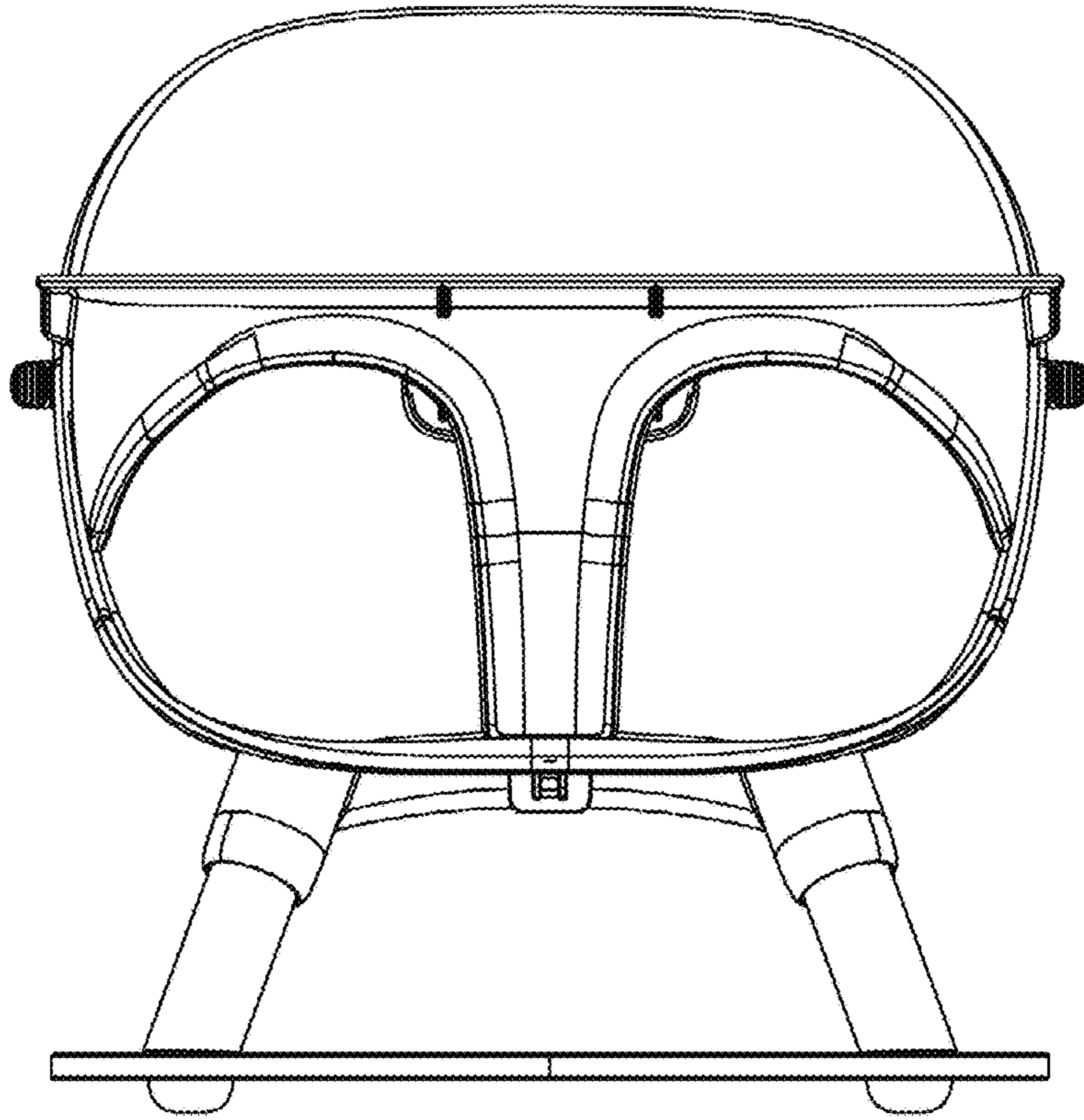


FIG. 1

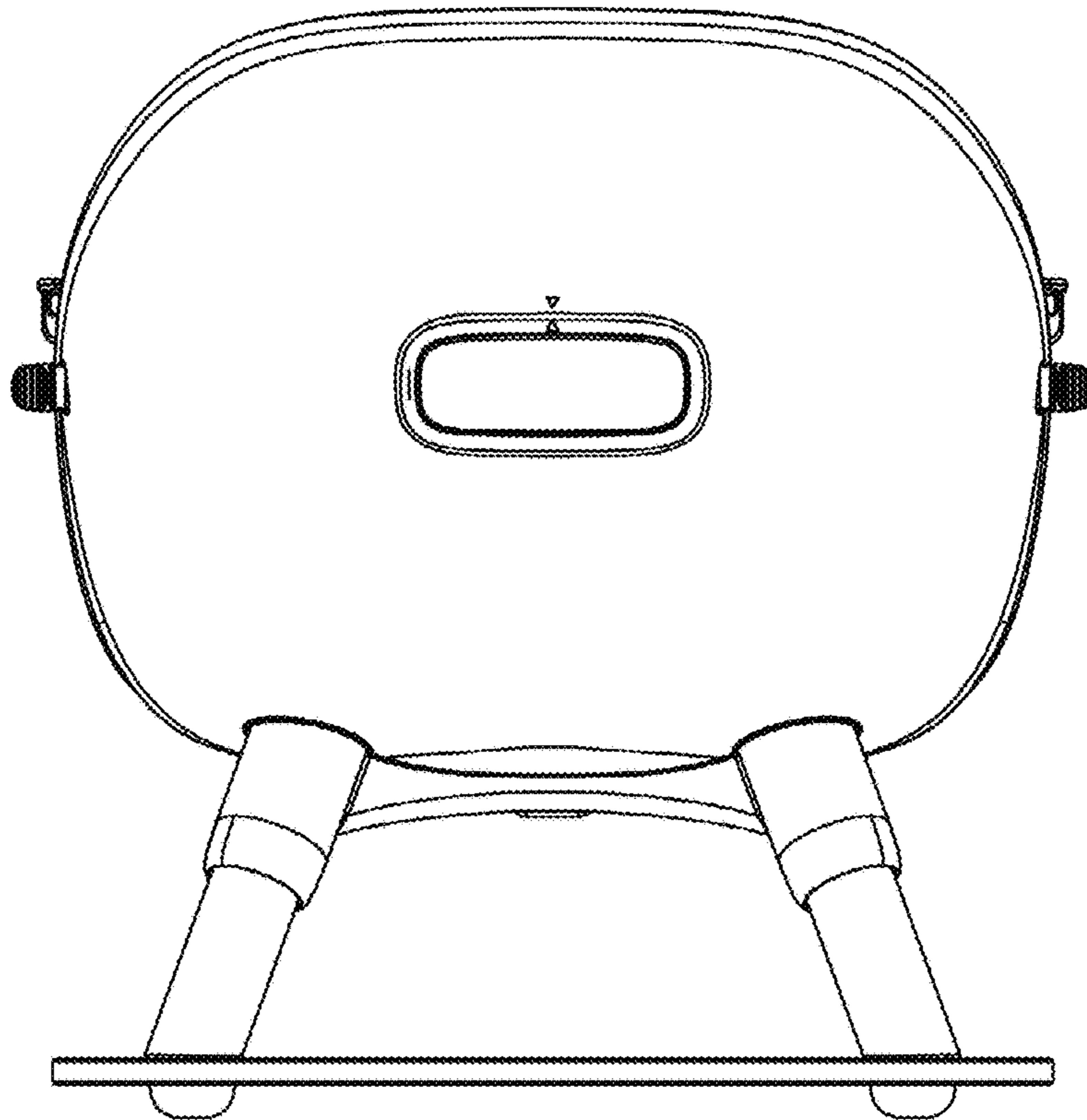


FIG. 2

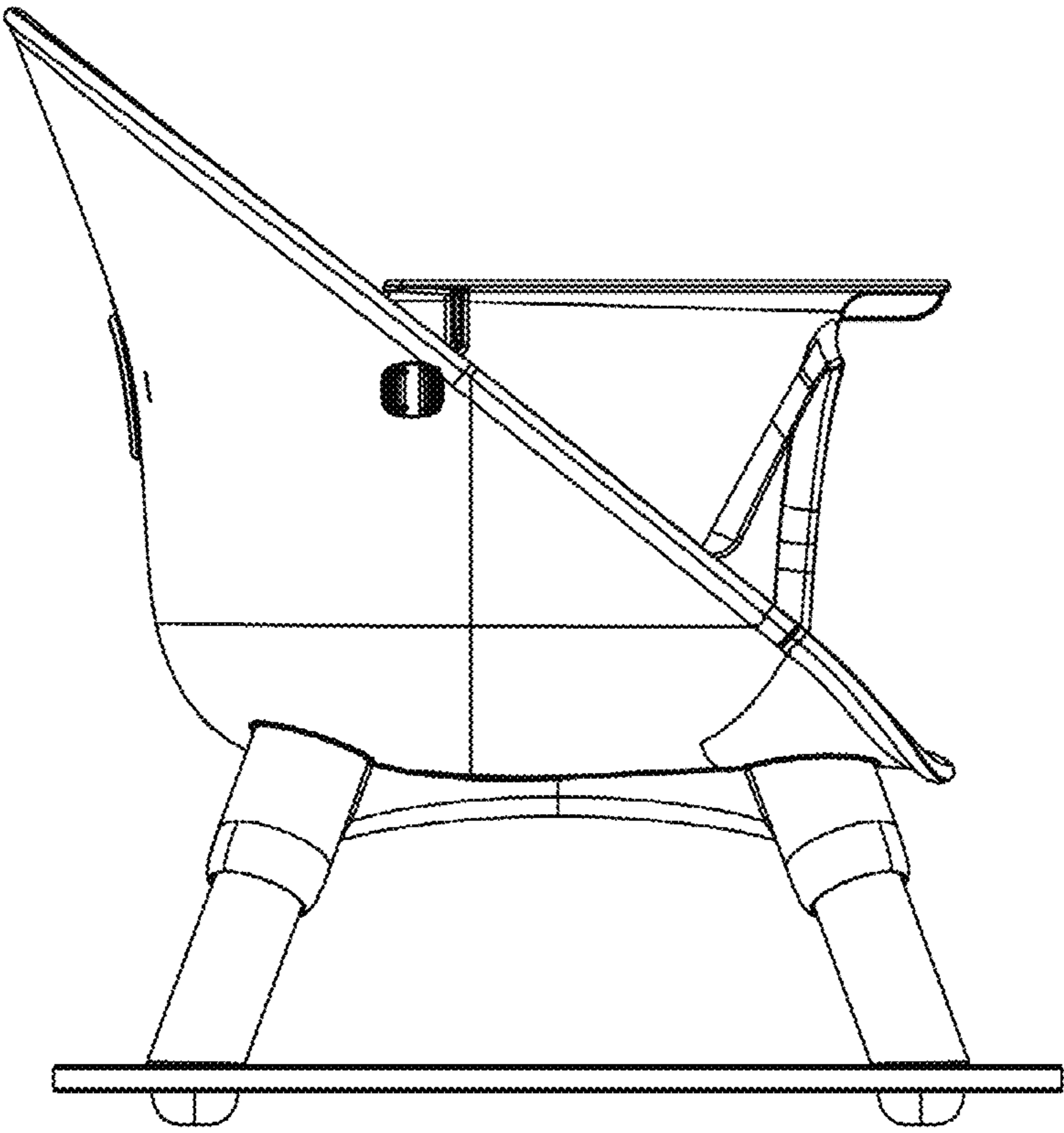


FIG. 3

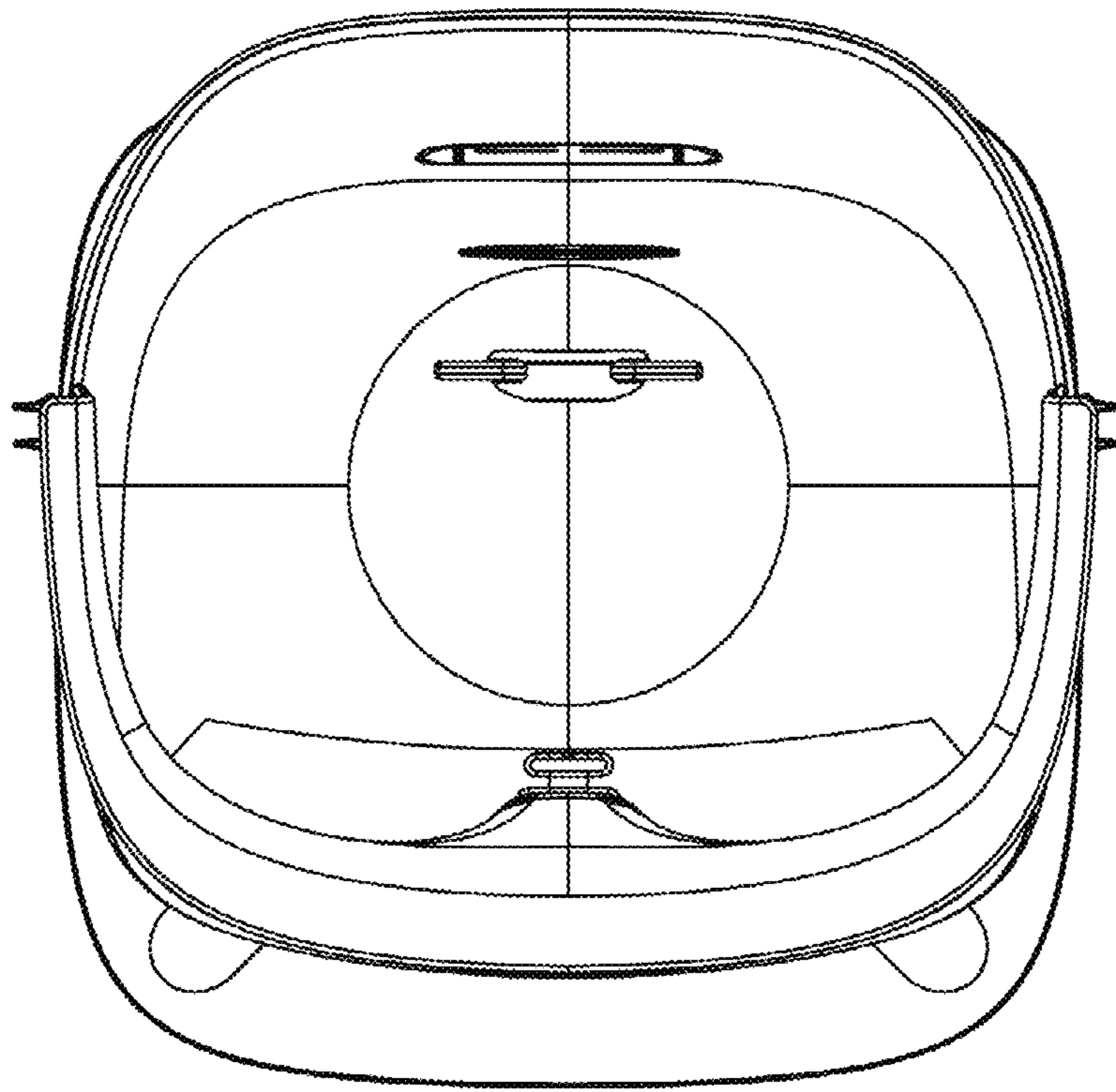


FIG. 4

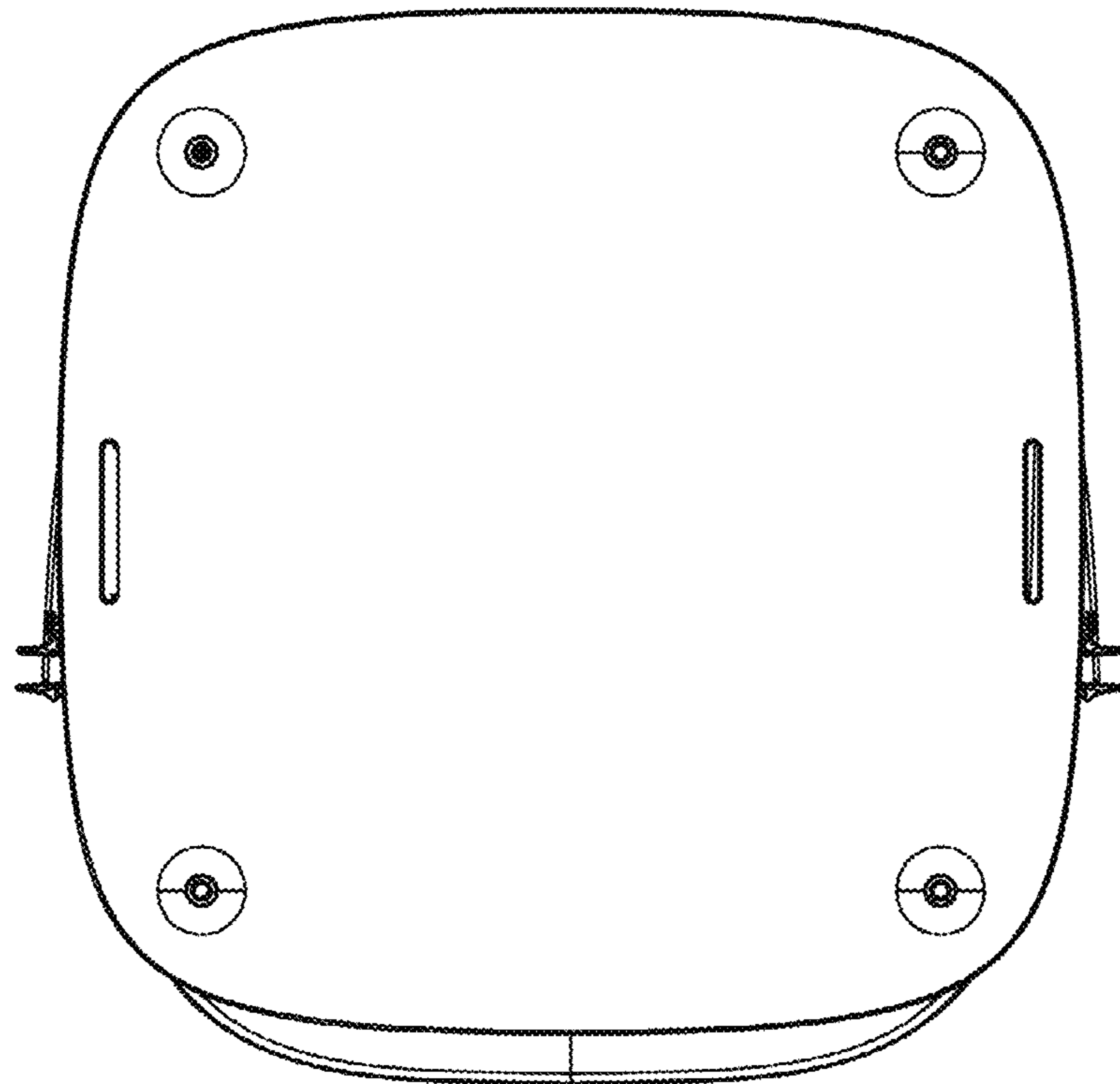


FIG. 5

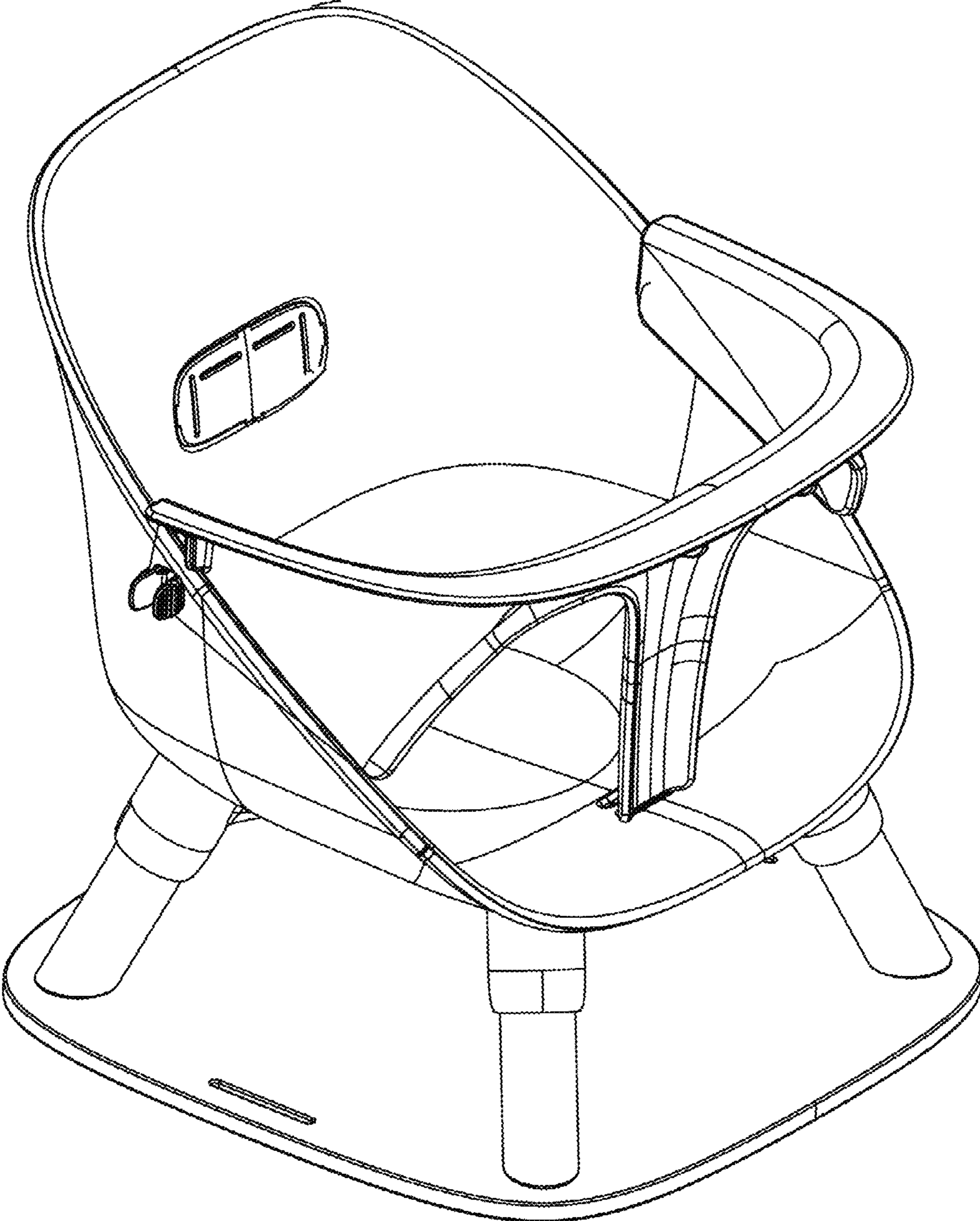


FIG. 6