



US0D1008668S

(12) **United States Design Patent** (10) **Patent No.:** **US D1,008,668 S**
Dale (45) **Date of Patent:** **** Dec. 26, 2023**

(54) **TRIANGLE ARTIST BRUSH**
(71) Applicant: **James Dale**, Las Vegas, NV (US)
(72) Inventor: **James Dale**, Las Vegas, NV (US)
(**) Term: **15 Years**
(21) Appl. No.: **29/792,130**
(22) Filed: **Mar. 7, 2022**
(51) **LOC (14) Cl.** **04-02**
(52) **U.S. Cl.**
USPC **D4/135**
(58) **Field of Classification Search**
USPC D4/121, 127, 135, 138; 15/106, 159.1,
15/160, 176.1, 184, 190-194; 132/289,
132/294, 298, 313, 317, 320; 401/123,
401/141, 175, 281
CPC A46B 7/026; A46B 5/005; A46B 17/04;
A46B 2200/1046
See application file for complete search history.

(56) **References Cited**

U.S. PATENT DOCUMENTS

D566,969 S * 4/2008 Sherman D4/135
D584,513 S * 1/2009 Sherman D4/135

D710,115 S * 8/2014 Dale D4/135
D751,824 S * 3/2016 Childs D4/135
D801,057 S * 10/2017 Xavier D4/135
D873,573 S * 1/2020 Kaicker D4/135
D896,532 S * 9/2020 Kaicker D4/135
D905,969 S * 12/2020 Kaicker D4/127
D935,195 S * 11/2021 Godin D4/127
2005/0198759 A1 * 9/2005 Segrea A46B 5/0095
15/176.1

* cited by examiner

Primary Examiner — Austin Murphy

(74) *Attorney, Agent, or Firm* — Larson & Larson; Justin P. Miller; Frank Liebenow

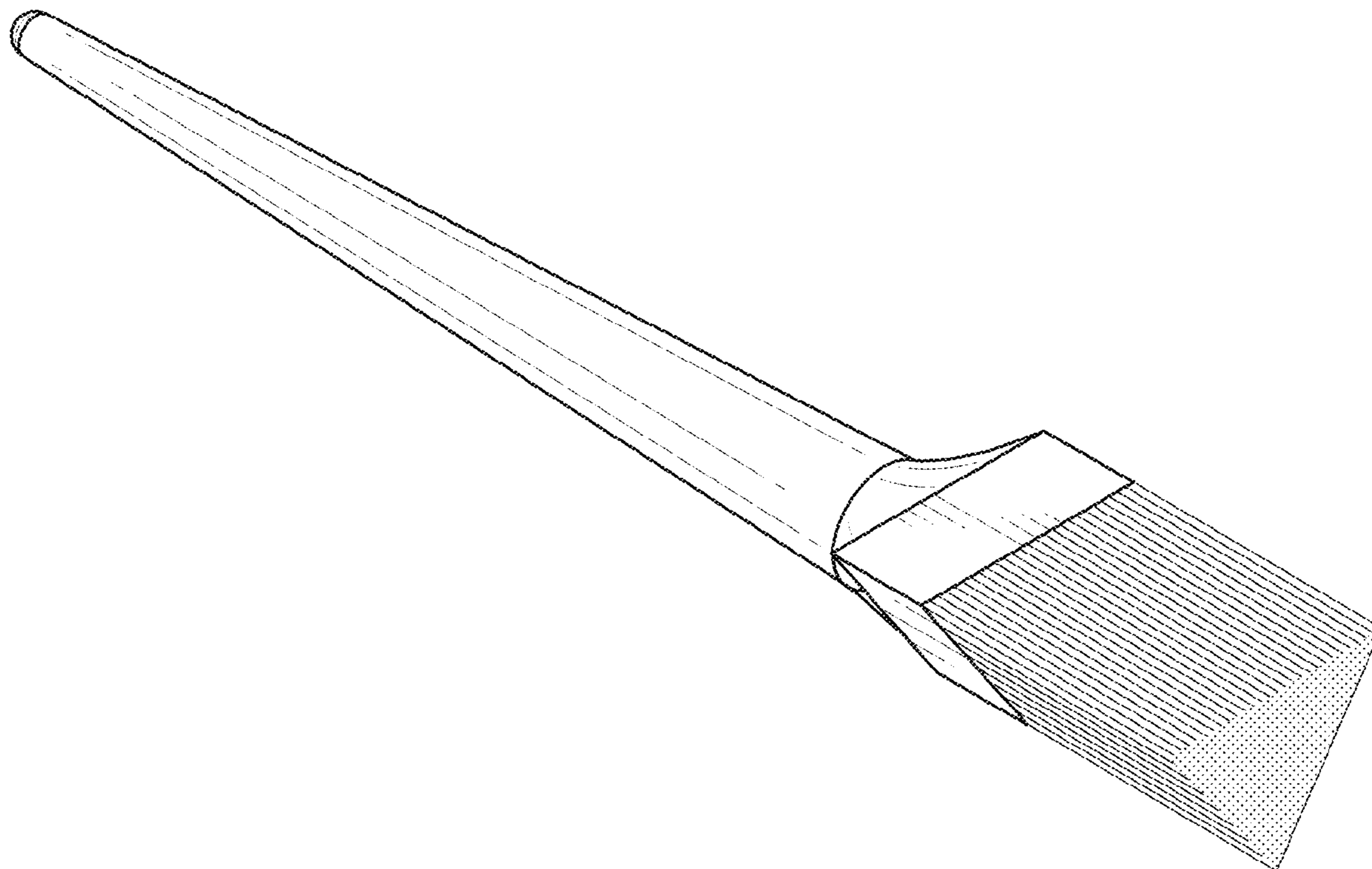
(57) **CLAIM**

I claim the ornamental design for a triangle artist brush, as shown and described.

DESCRIPTION

FIG. 1 is a perspective view of a triangle artist brush showing my new design;
FIG. 2 is a bottom plan view thereof;
FIG. 3 is a top plan view thereof;
FIG. 4 is a right-side elevation view thereof;
FIG. 5 is a left-side elevation view thereof;
FIG. 6 is a back elevation thereof; and,
FIG. 7 is a front elevation view thereof.

1 Claim, 7 Drawing Sheets



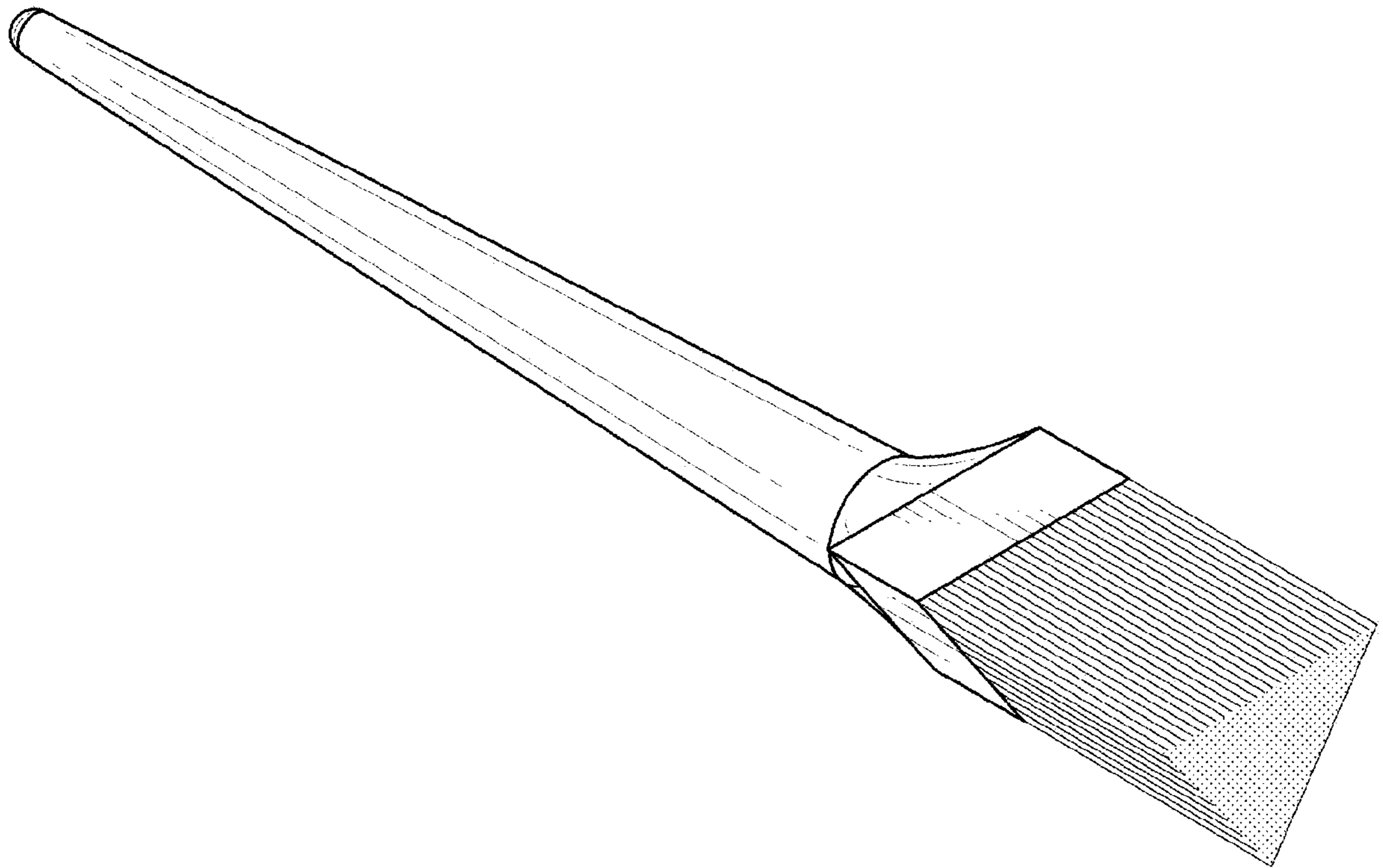


FIG. 1

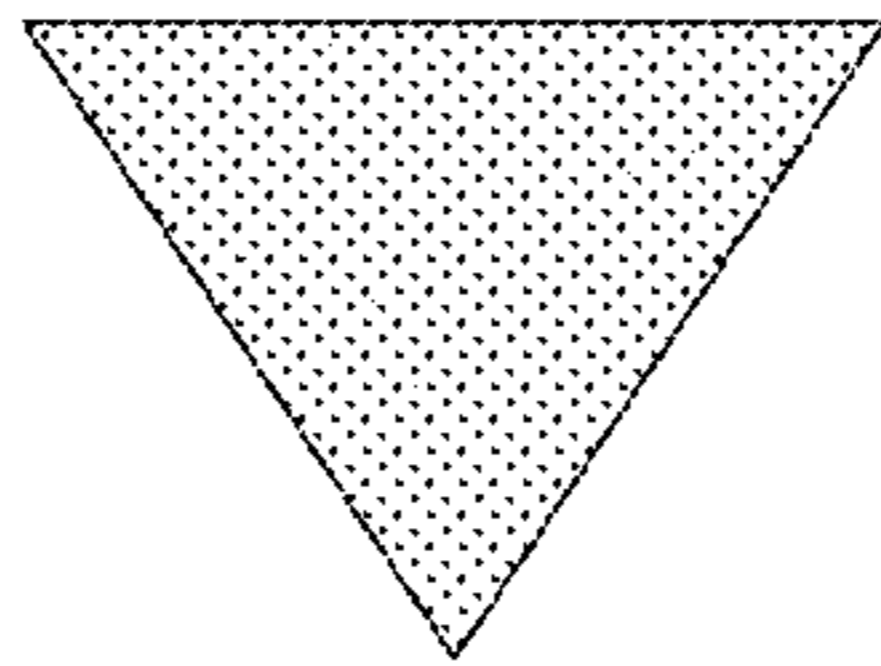


FIG. 2

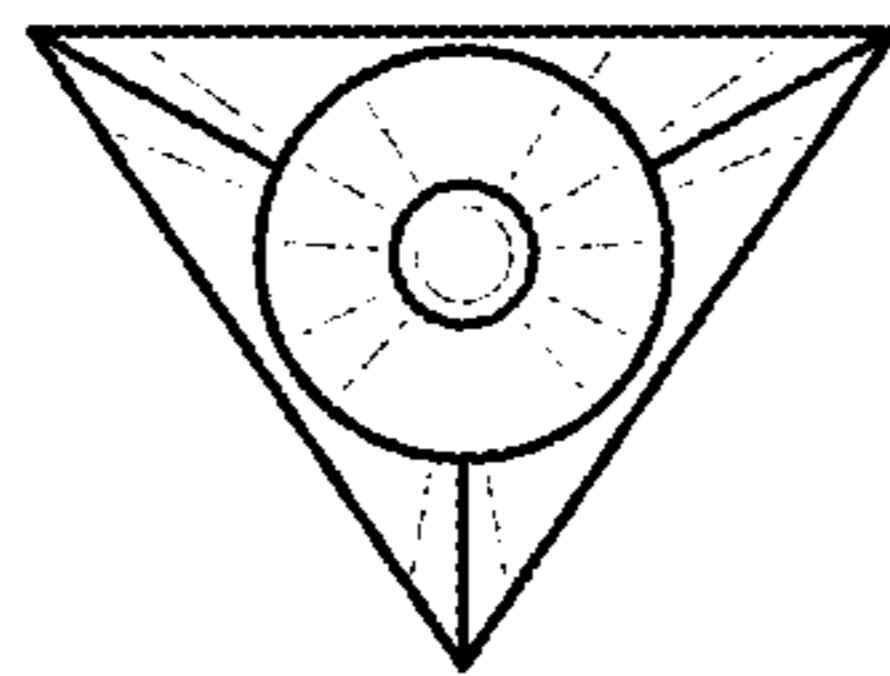


FIG. 3

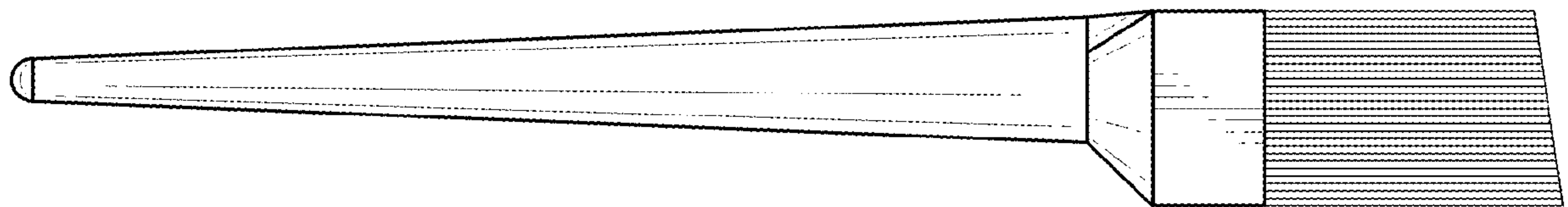


FIG. 4

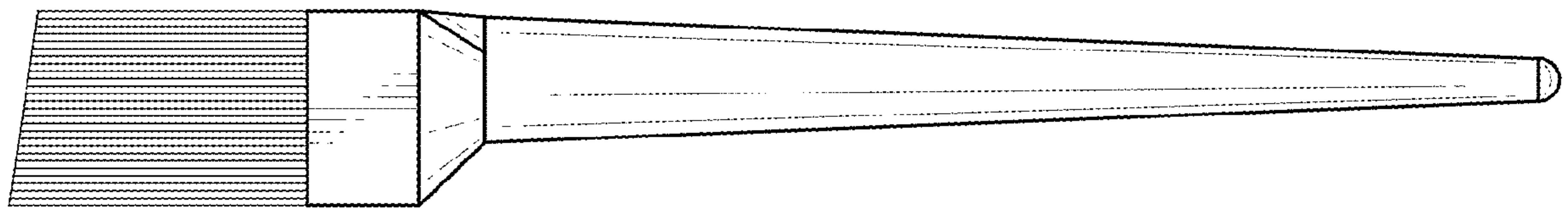


FIG. 5

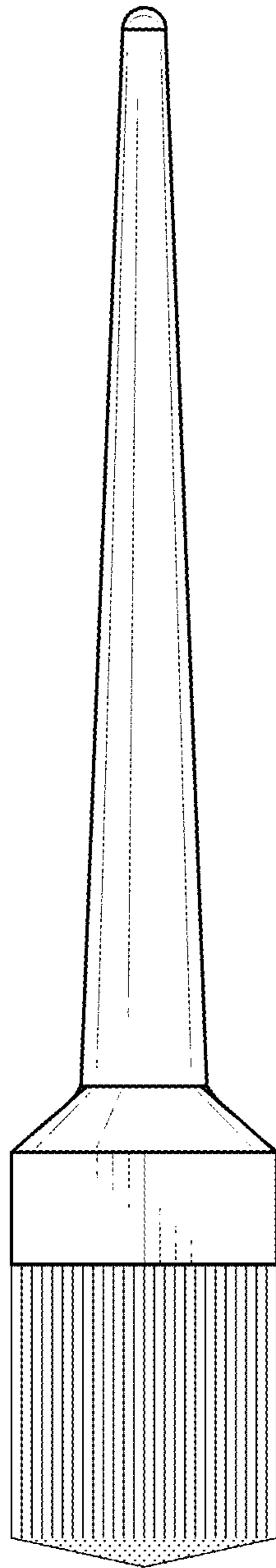


FIG. 6

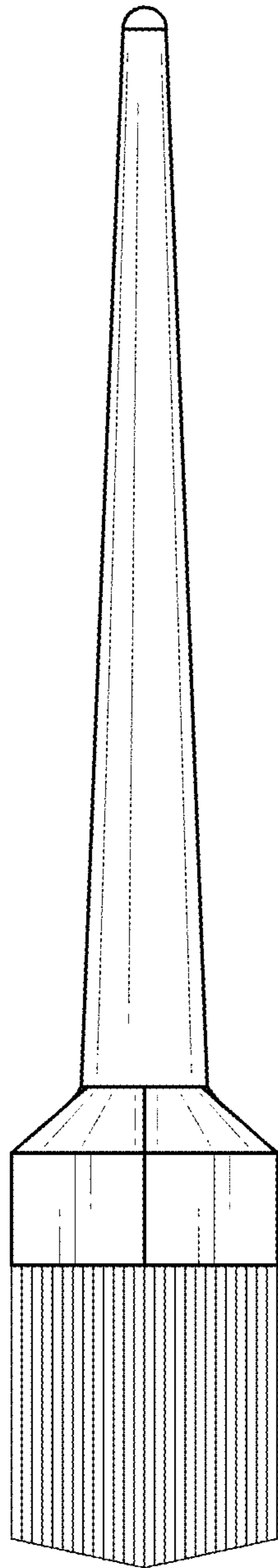


FIG. 7