



US0D1008585S

(12) **United States Design Patent**
Cheng

(10) **Patent No.:** **US D1,008,585 S**

(45) **Date of Patent:** **** Dec. 19, 2023**

- (54) **UPRIGHT DUST COLLECTOR**
- (71) Applicant: **San Ford Machinery Co., Ltd.**,
Taichung (TW)
- (72) Inventor: **Yuan-Tai Cheng**, Taichung (TW)
- (73) Assignee: **SAN FORD MACHINERY CO., LTD.**, Taichung (TW)
- (**) Term: **15 Years**
- (21) Appl. No.: **29/864,844**
- (22) Filed: **Jun. 23, 2022**
- (51) **LOC (14) Cl.** **15-05**
- (52) **U.S. Cl.**
USPC **D32/21**
- (58) **Field of Classification Search**
USPC D32/15, 17-21, 23, 24, 31-34
CPC A47L 7/0071; A47L 9/1683; A47L 5/00;
A47L 5/02; A47L 5/12; A47L 5/36; A47L
5/365; A47L 7/0047; A47L 7/0095; A47L
9/122; A47L 9/1691
See application file for complete search history.

D634,082	S	*	3/2011	Lin	D32/21
D638,179	S	*	5/2011	Witter	D32/21
D651,775	S	*	1/2012	Cheng	D32/21
D651,776	S	*	1/2012	Cheng	D32/21
D804,116	S	*	11/2017	Cheng	D32/21
D805,266	S	*	12/2017	Cheng	D32/21
9,849,417	B2	*	12/2017	Brisebois	B01D 46/023
D815,375	S	*	4/2018	Cheng	D32/21
D927,104	S	*	8/2021	Fitzsimmons	D32/21
11,266,938	B2	*	3/2022	Cheng	B01D 46/10
11,311,830	B2	*	4/2022	Cheng	B01D 46/0045
D965,931	S	*	10/2022	Rajput	D32/23
2014/0238240	A1	*	8/2014	Raether	B01D 46/58 55/495
2016/0271543	A1	*	9/2016	Vincent	B01D 46/71
2019/0255476	A1	*	8/2019	Silvestro	B01D 46/4227
2019/0299141	A1	*	10/2019	Cheng	B01D 45/16
2020/0384400	A1	*	12/2020	Castano	B01D 46/58
2022/0031135	A1	*	2/2022	Cheng	A47L 9/1683

* cited by examiner

Primary Examiner — Kimberly Barnes
(74) *Attorney, Agent, or Firm* — Sinorica International
Patent & Trademark

(57) **CLAIM**

The ornamental design for an upright dust collector, as shown and described.

(56) **References Cited**

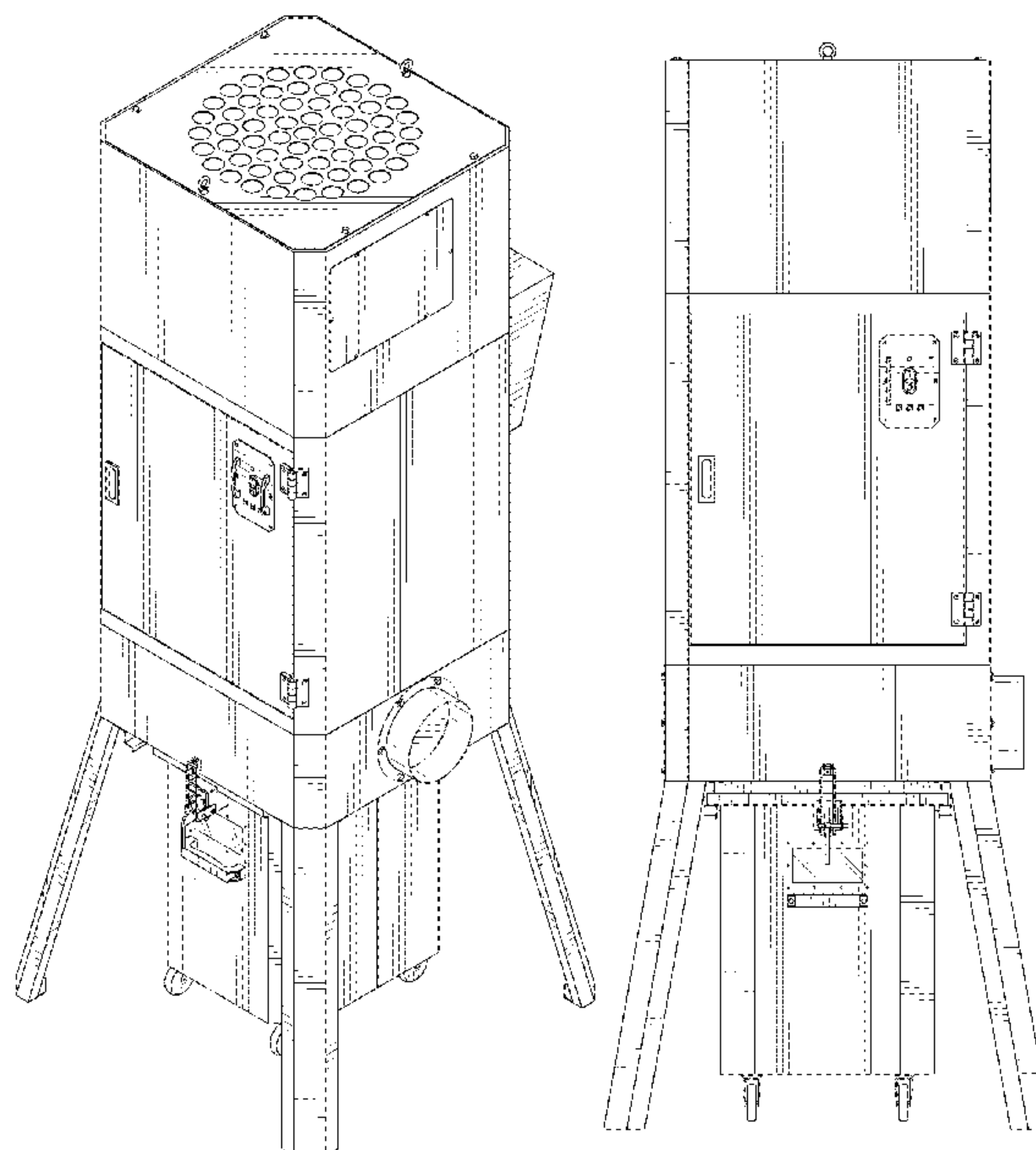
U.S. PATENT DOCUMENTS

4,097,255	A	*	6/1978	Samolis	B01D 46/04 55/294
4,820,320	A	*	4/1989	Cox	B01D 46/0005 55/508
6,368,388	B1	*	4/2002	Kosmider	B01D 46/64 55/508
D527,852	S	*	9/2006	Tsai	D32/21
D531,769	S	*	11/2006	Lin	D32/21
D533,694	S	*	12/2006	Cheng	D32/21
D549,892	S	*	8/2007	Lin	D32/21
7,404,839	B2	*	7/2008	Modesto	B01D 46/0004 55/480

DESCRIPTION

FIG. 1 is a front perspective view of an upright dust collector showing my new design;
FIG. 2 is a front elevational view thereof;
FIG. 3 is a rear elevational view thereof;
FIG. 4 is a left side elevational view thereof;
FIG. 5 is a right side elevational view thereof;
FIG. 6 is a top plan view thereof; and,
FIG. 7 is a bottom plan view thereof.

1 Claim, 7 Drawing Sheets



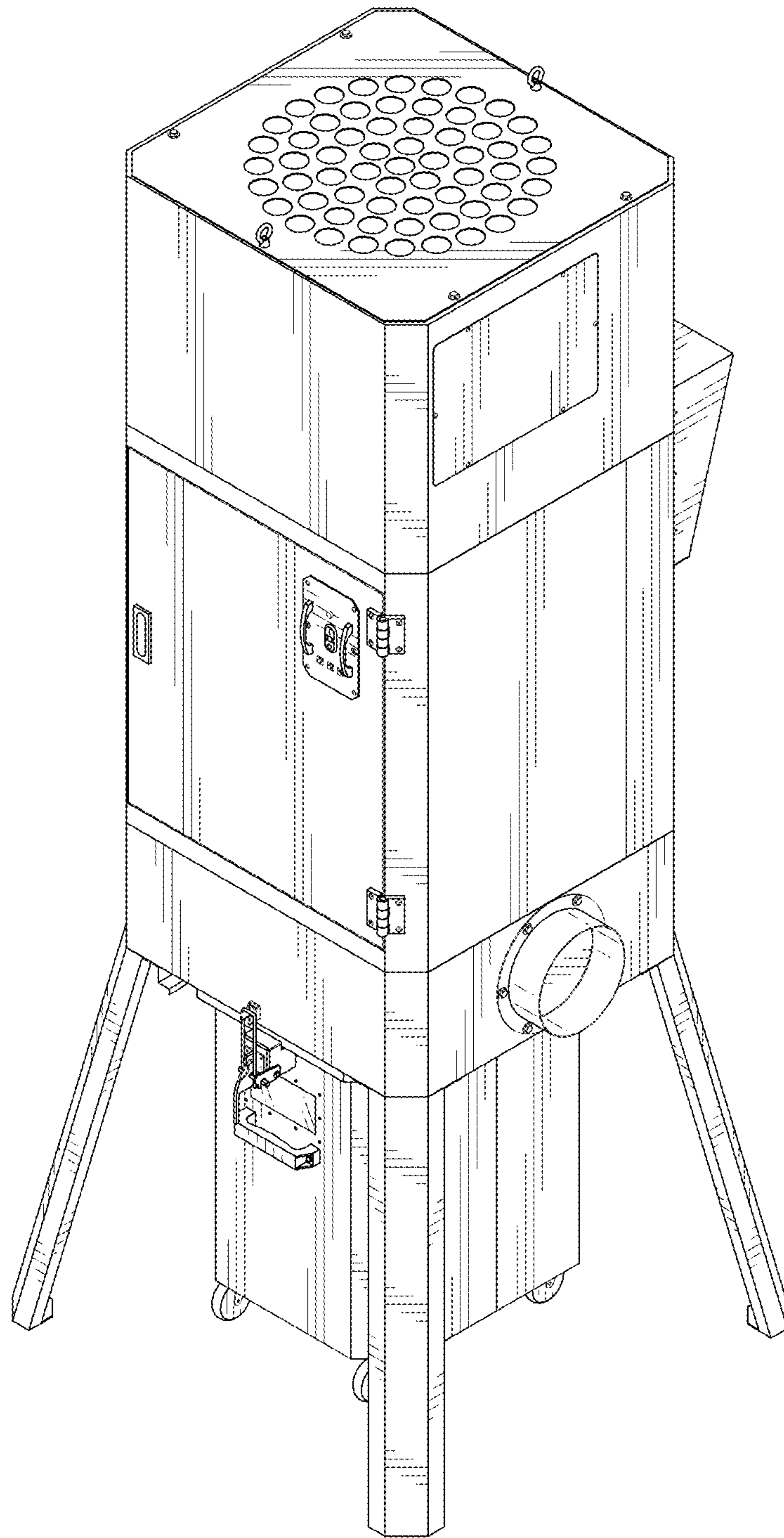


FIG. 1

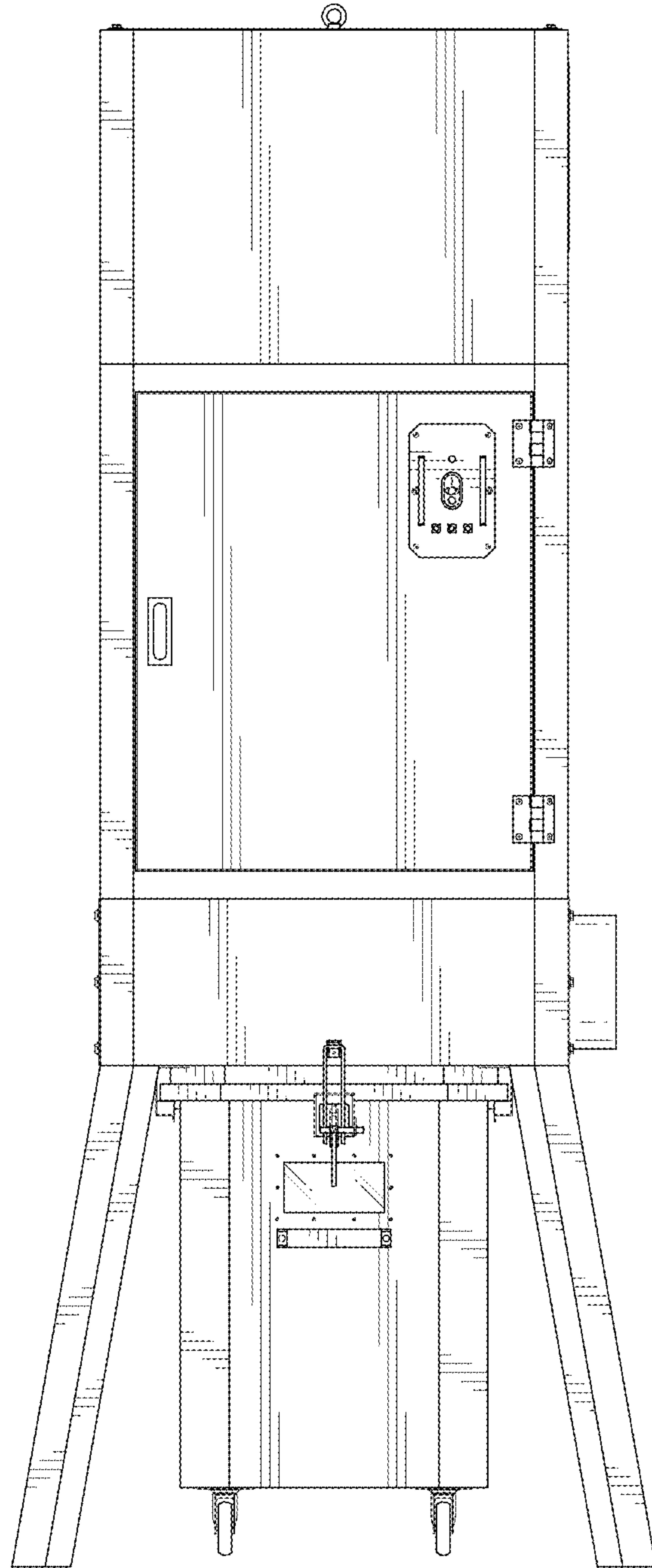


FIG. 2

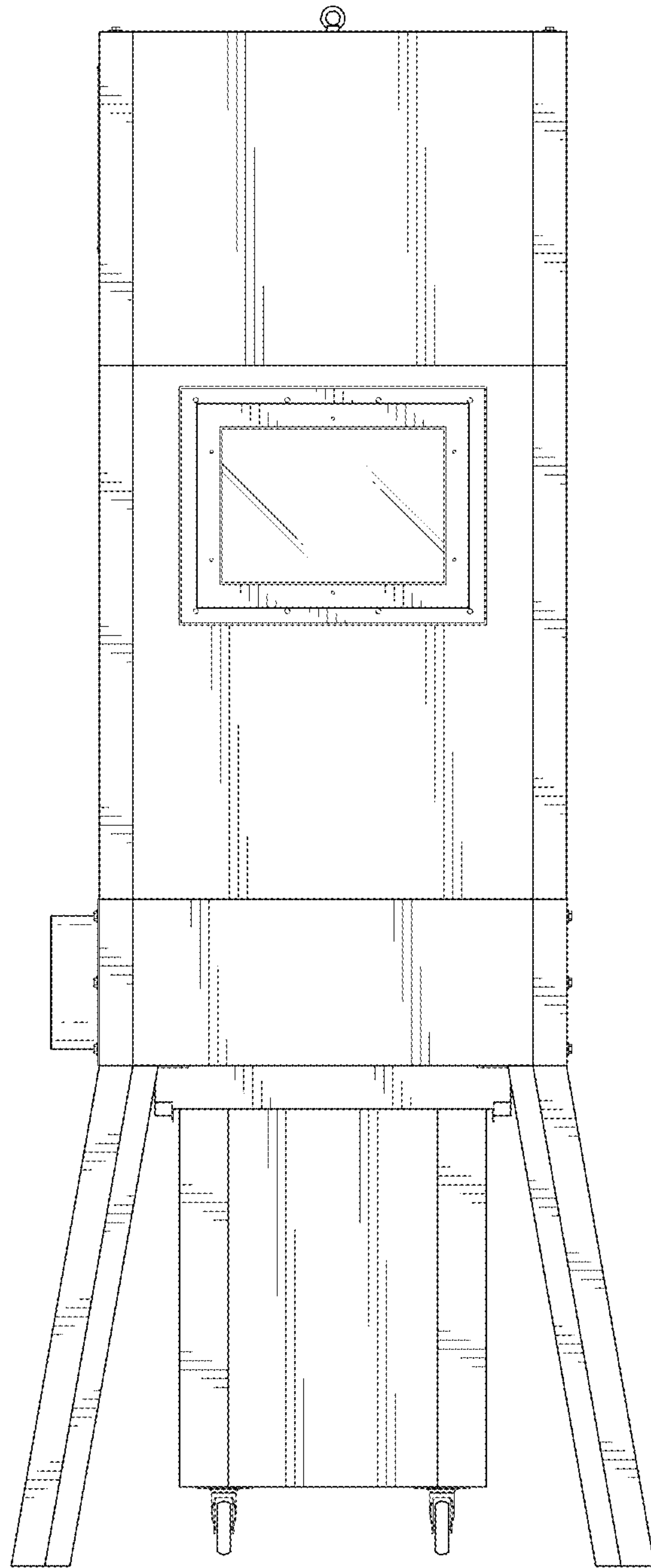


FIG. 3

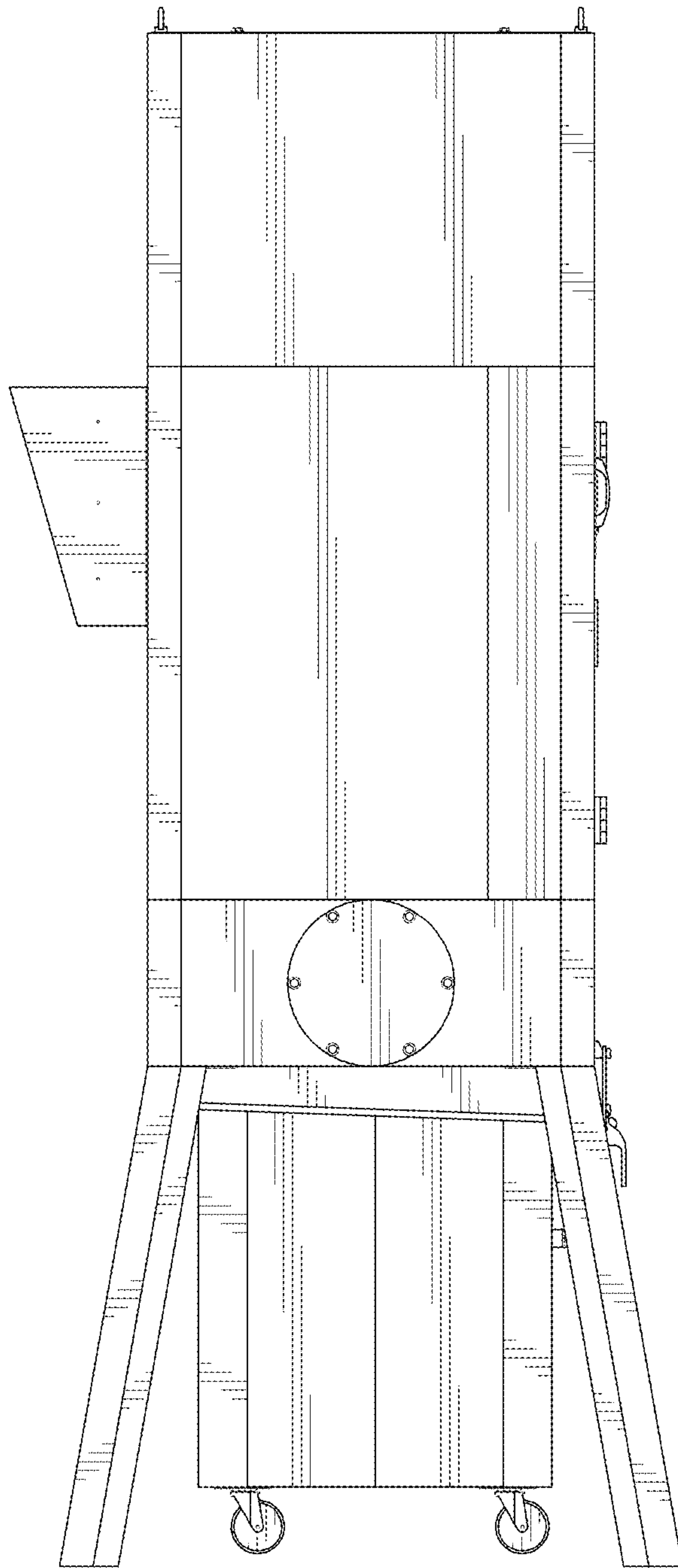


FIG. 4

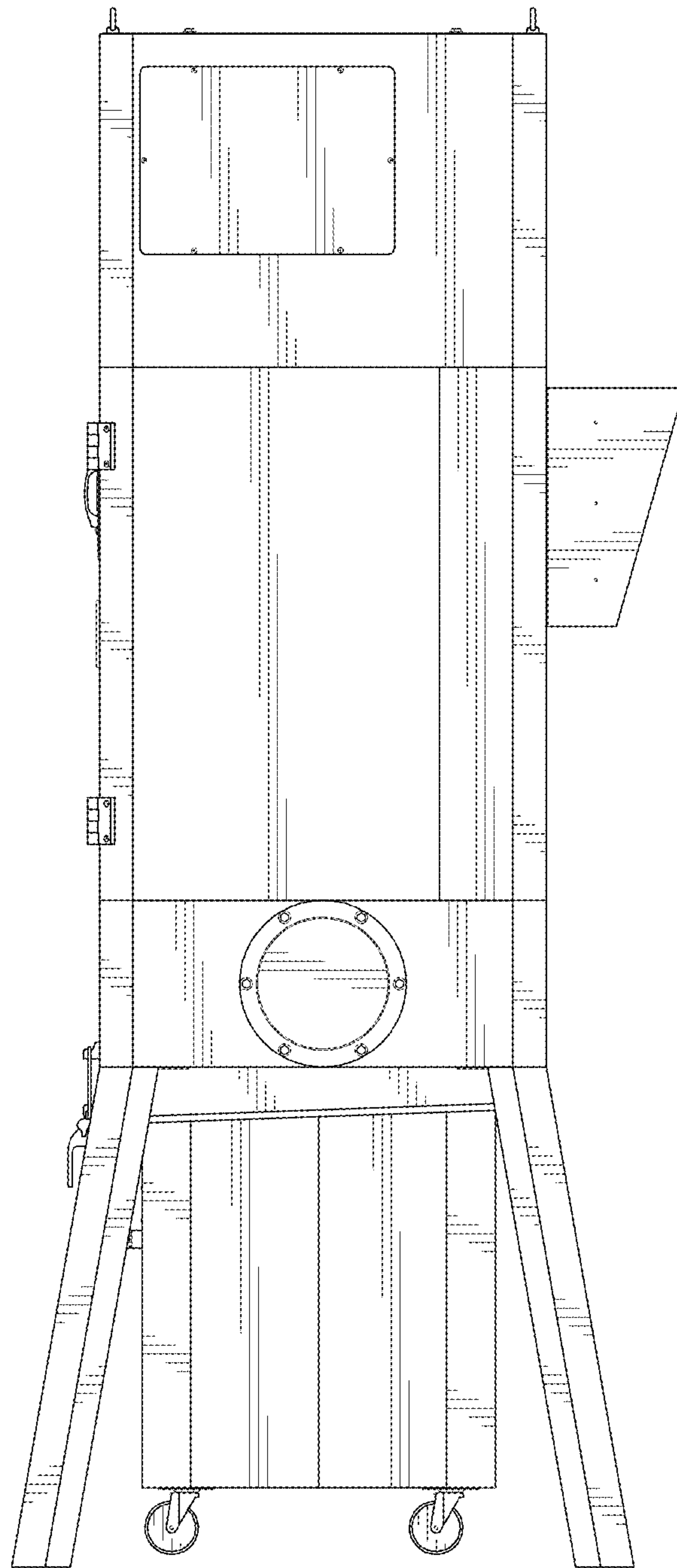


FIG. 5

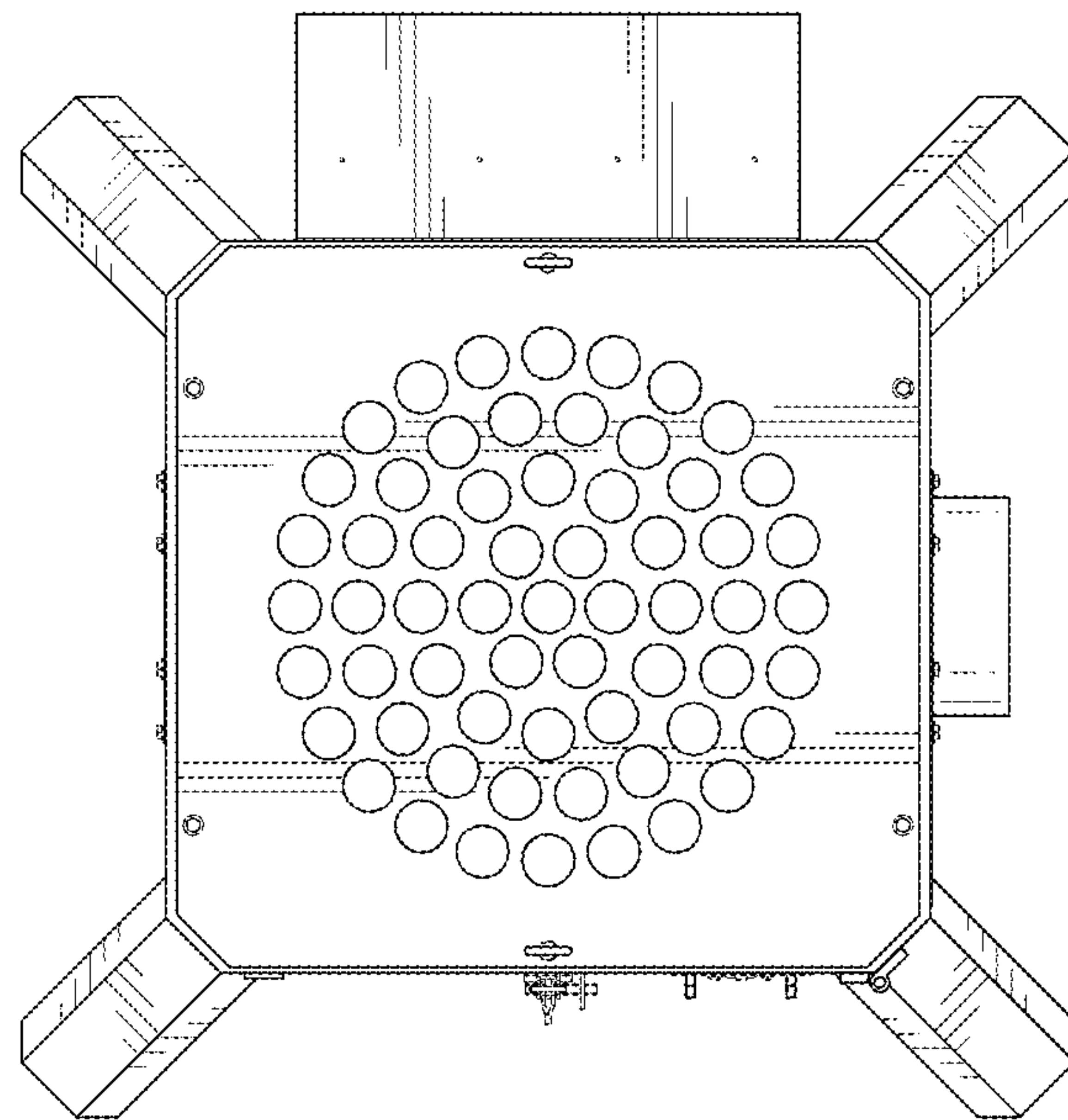


FIG. 6

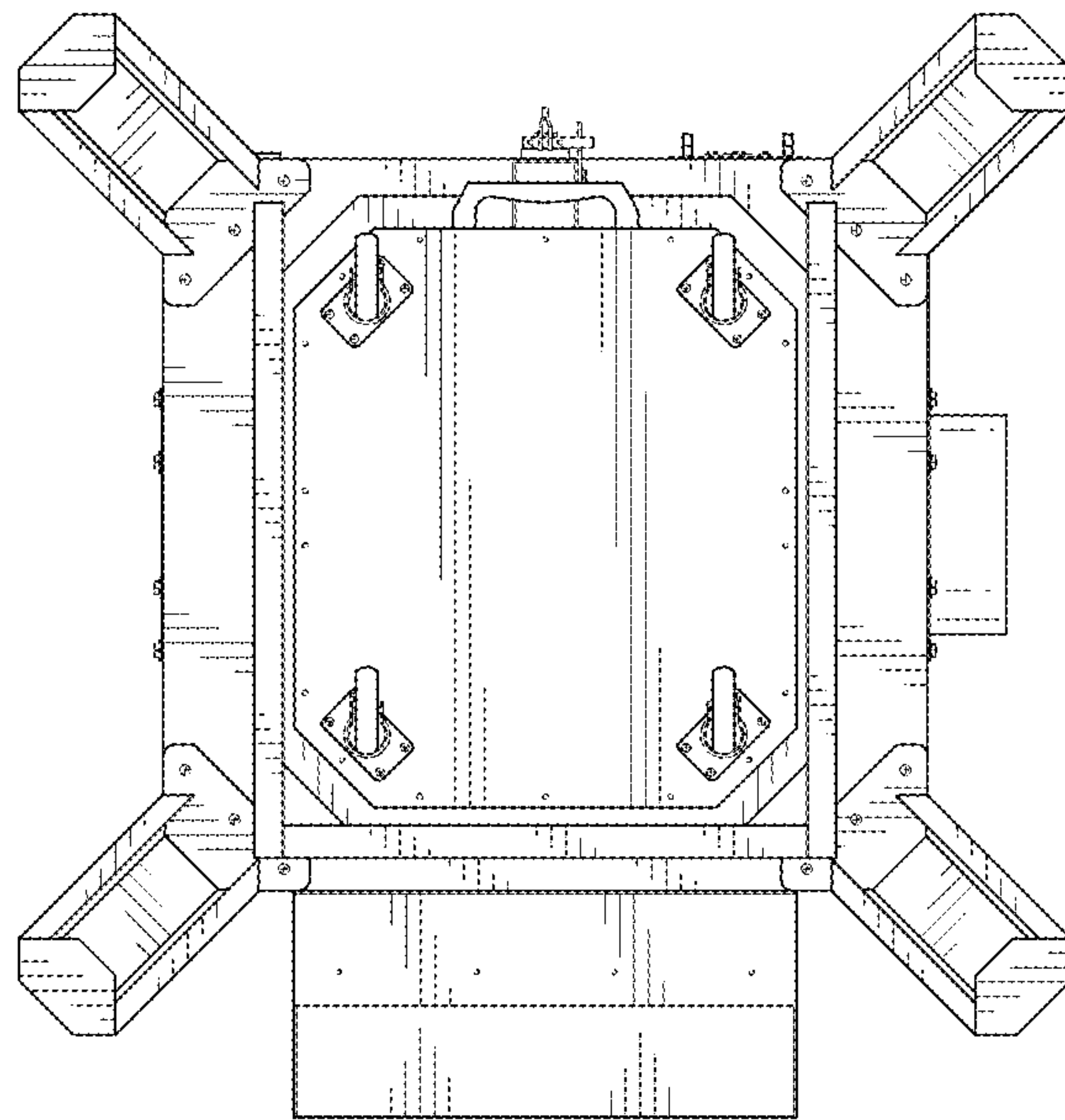


FIG. 7