



US0D1008003S

(12) **United States Design Patent** (10) **Patent No.:** **US D1,008,003 S**  
**Glickfield** (45) **Date of Patent:** **\*\* Dec. 19, 2023**

- (54) **UNIVERSAL CABLE HOLDER**
- (71) Applicant: **Adam S Glickfield**, Miami Beach, FL (US)
- (72) Inventor: **Adam S Glickfield**, Miami Beach, FL (US)
- (73) Assignee: **ASG PRODUCTS, LLC**, Miami Beach, FL (US)
- (\*\*) Term: **15 Years**
- (21) Appl. No.: **29/838,054**
- (22) Filed: **May 10, 2022**
- (51) **LOC (14) Cl.** ..... **09-06**
- (52) **U.S. Cl.**  
USPC ..... **D8/356**
- (58) **Field of Classification Search**  
USPC ..... D8/356, 354, 349  
CPC ..... H02G 3/22; A62B 35/04; A45F 5/04  
See application file for complete search history.

- D627,632 S \* 11/2010 Elmer et al. .... D8/383
- D660,740 S \* 5/2012 Cullen et al. .... D11/3
- D662,087 S \* 6/2012 Peller ..... D14/223
- D684,845 S \* 6/2013 Wood ..... A62B 35/04  
D8/356
- 8,615,849 B2 \* 12/2013 Rothbaum et al. .... 24/16 R
- D732,933 S 6/2015 Jansen
- D989,607 S \* 6/2023 Fisher ..... D8/356
- D999,619 S \* 9/2023 Teeter ..... D8/356

- (56) **References Cited**
- U.S. PATENT DOCUMENTS
- 1,666,623 A \* 4/1928 Hoover ..... 24/18
- 4,957,232 A \* 9/1990 Sprague ..... A45F 5/04  
224/904
- D311,487 S \* 10/1990 Platt ..... D8/396
- 5,234,185 A \* 8/1993 Hoffman et al. .... 248/56
- D390,447 S \* 2/1998 Colen, Jr. .... D8/356
- 6,092,444 A \* 7/2000 Hsiao ..... 81/440
- D494,450 S \* 8/2004 Schultz et al. .... D8/356
- 6,813,981 B2 \* 11/2004 Urban et al. .... 83/13
- D613,137 S \* 4/2010 Wieberdink et al. .... D8/14
- D624,378 S \* 9/2010 Wysopal ..... D8/40
- 7,806,374 B1 \* 10/2010 Ehmann ..... H02G 3/22  
174/64

**OTHER PUBLICATIONS**

Tangle-Free Cord Wrap , Retrieved from Internet, Retrieved on Feb. 11, 2022 <URL: <https://wrapitstorage.com/products/tangle-free-cord-wrap>>.

Side Winder Mini and Max Headphone and cable winder, Retrieved from Internet, Retrieved on Feb. 11, 2022 <URL: <https://www.amazon.com/Headphone-Organizer-Perfect-Wrapping-Organization/dp/B07Z8GBM5Y?th=1>>.

\* cited by examiner

*Primary Examiner* — Cynthia R Underwood

(57) **CLAIM**

The ornamental design for a universal cable holder, as shown and described.

**DESCRIPTION**

FIG. 1 is a top front perspective view of a universal cable holder showing my new design;

FIG. 2 is a bottom rear perspective view thereof;

FIG. 3 is a left elevational view thereof;

FIG. 4 is a right elevational view thereof;

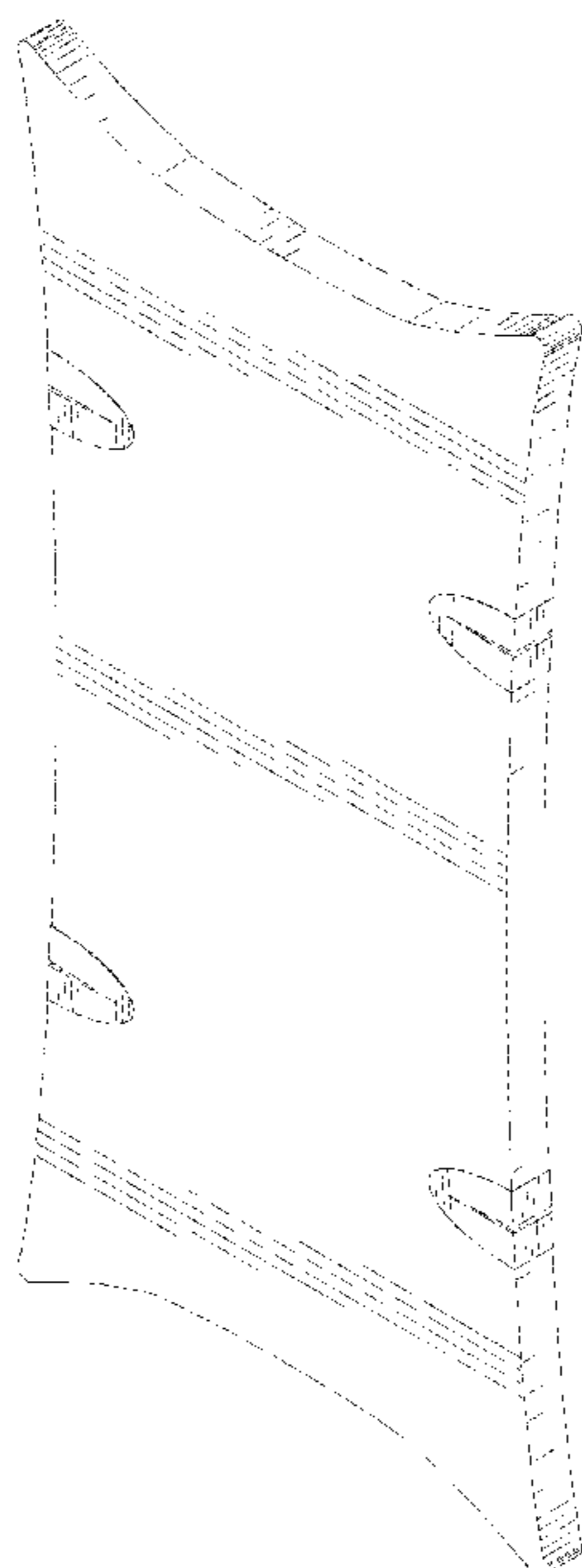
FIG. 5 is an enlarged top plan view thereof;

FIG. 6 is an enlarged bottom plan view thereof;

FIG. 7 is a front elevational view thereof; and,

FIG. 8 is a back elevational view thereof.

**1 Claim, 8 Drawing Sheets**



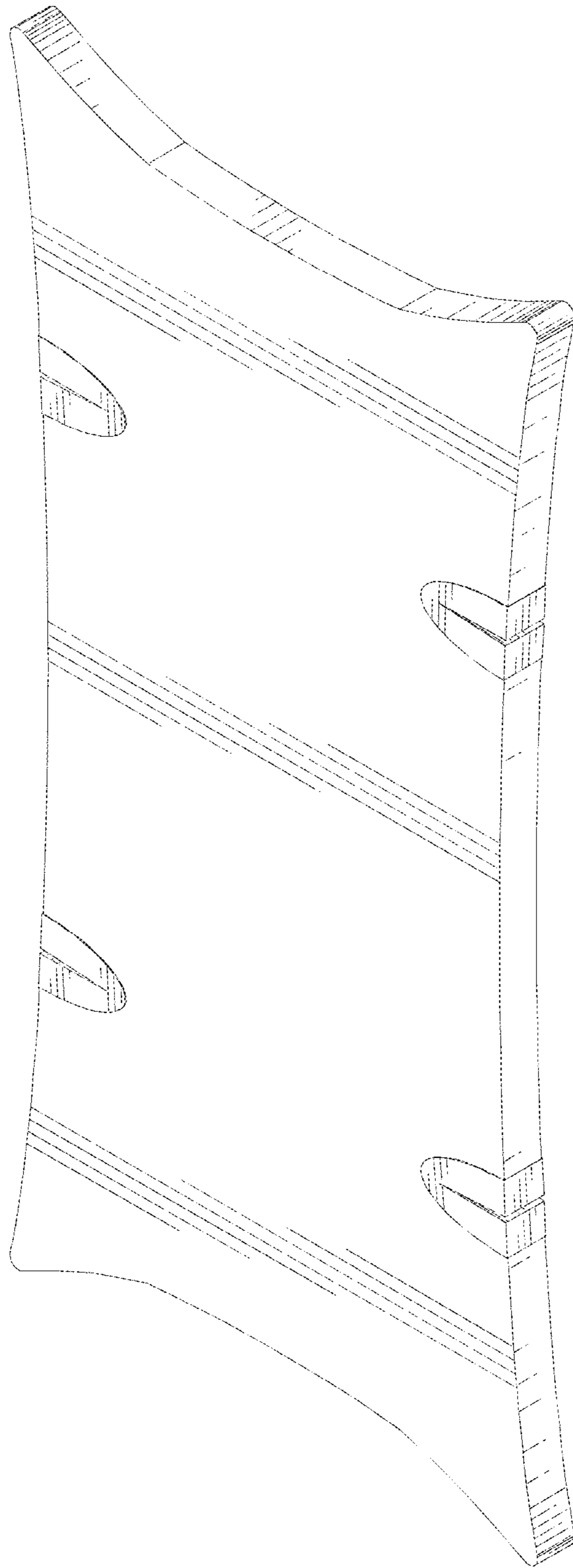


FIG. 1

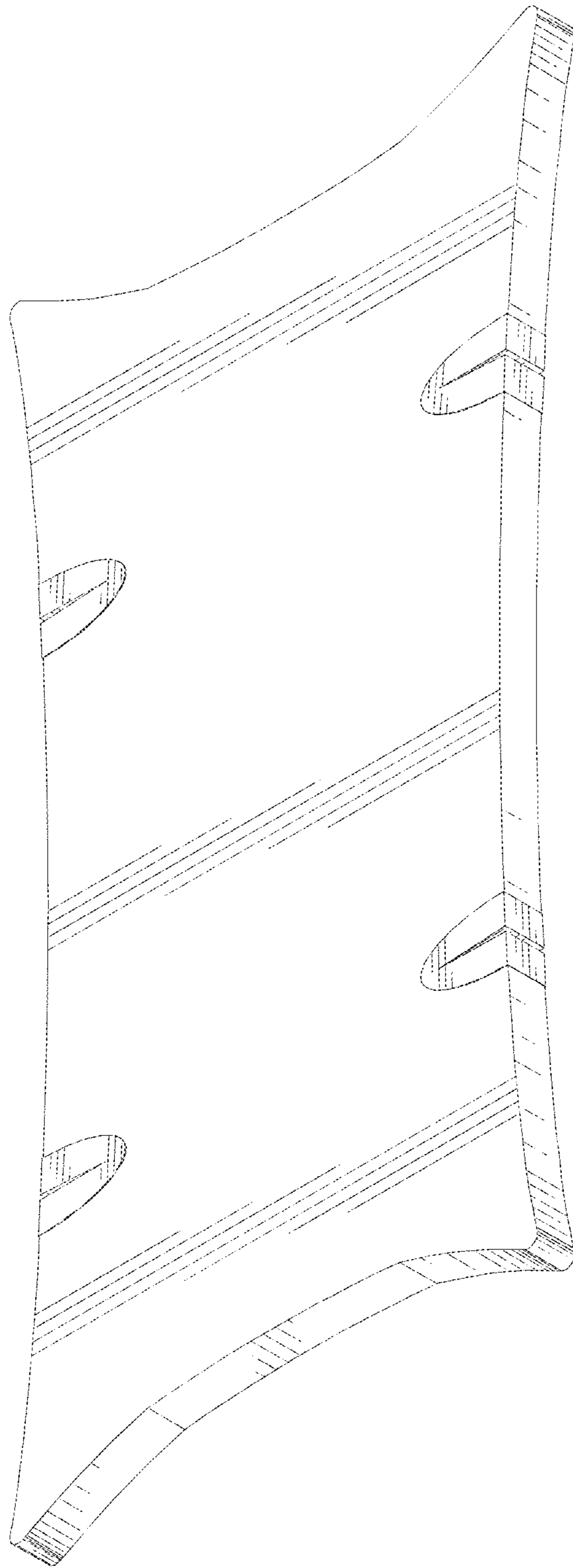


FIG. 2

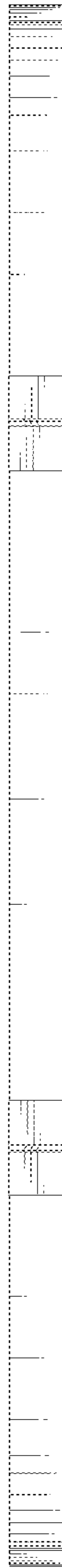


FIG. 3



FIG. 4



FIG. 5



FIG. 6

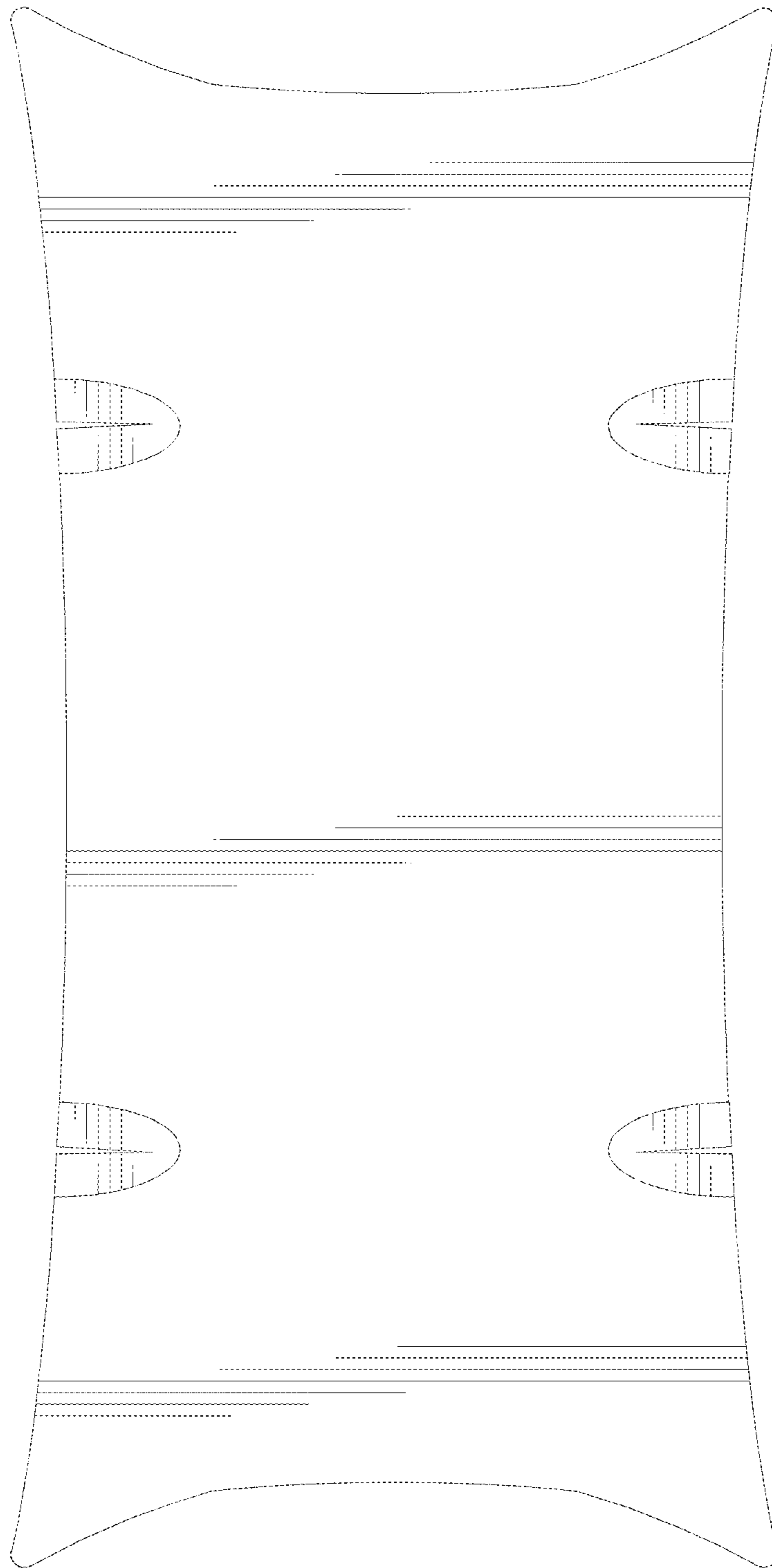


FIG. 7



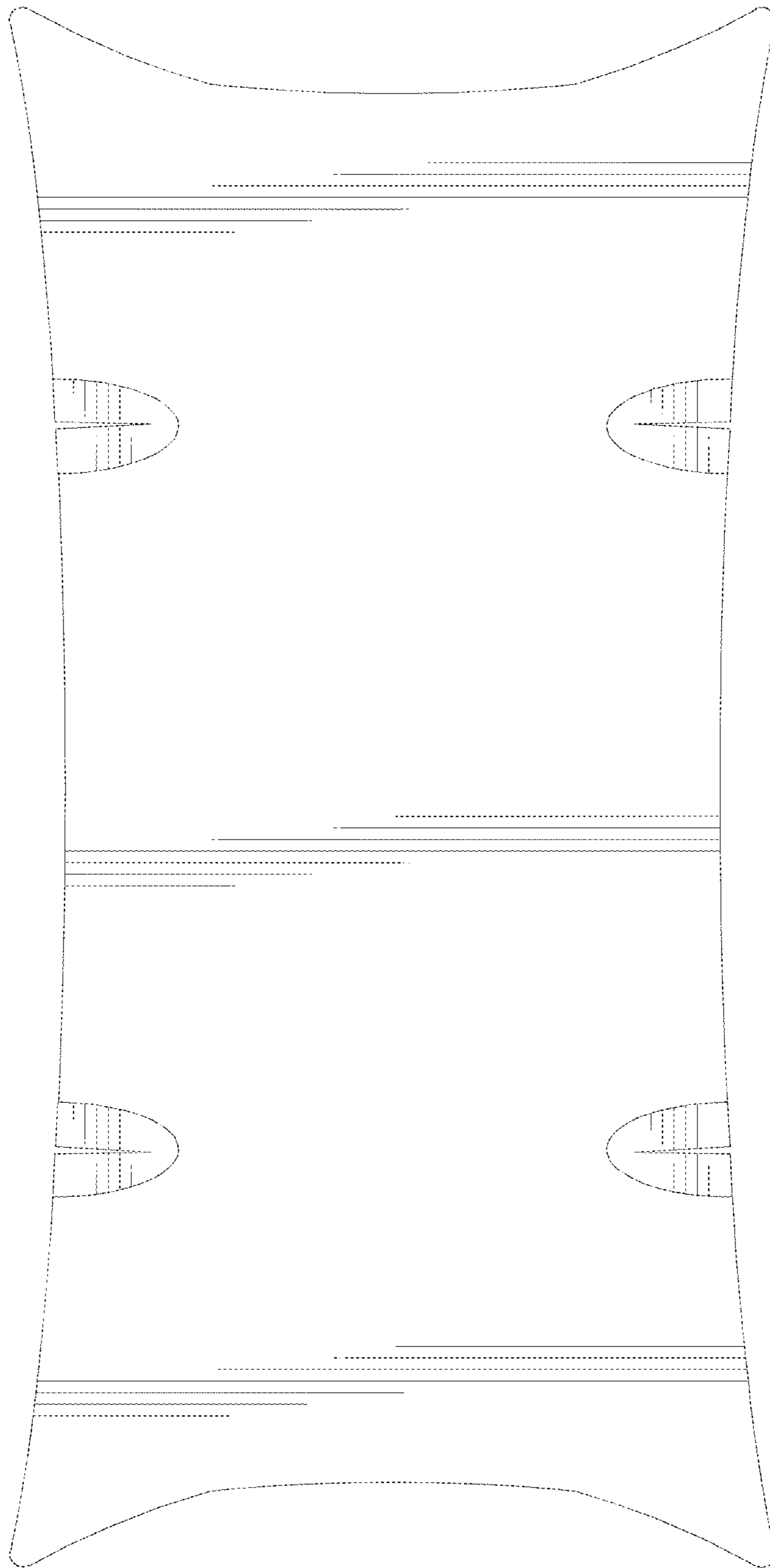


FIG. 8