



US0D1007788S

(12) **United States Design Patent** (10) **Patent No.:** **US D1,007,788 S**  
**Chen** (45) **Date of Patent:** **\*\* Dec. 12, 2023**

(54) **STOP BARKING DEVICE**

(71) Applicant: **Guohui Chen**, Dianbai (CN)

(72) Inventor: **Guohui Chen**, Dianbai (CN)

(\*\*) Term: **15 Years**

(21) Appl. No.: **29/898,651**

(22) Filed: **Jul. 31, 2023**

(30) **Foreign Application Priority Data**

Apr. 7, 2023 (CN) ..... 202330186294.1

(51) **LOC (14) Cl.** ..... **30-99**

(52) **U.S. Cl.**  
USPC ..... **D30/199**; D10/104.1

(58) **Field of Classification Search**

USPC ..... D30/151-155, 144, 199, 160;  
119/792-798, 850, 855-859, 863-865,  
119/654, 905, 907, 815, 712, 802, 784,  
119/769, 760, 776, 862, 908, 860,  
119/719-721; 242/381.1-381.2, 385.4,  
242/378.3, 376.1, 385.1, 916, 601, 570,  
242/405, 404, 371, 223, 170, 388.1,  
242/405.2, 377, 381.3, 381.6, 405.3, 388,  
242/6, 384.7, 382, 396.1, 404.1, 380;  
362/108; 33/767, 769, 414; D12/400;  
D3/229, 230, 207, 208, 215; 40/1.5, 455,  
40/640, 303; 206/63.3, 459.5, 702, 408;  
D6/515; D8/358, 360, 347, 360.1, 359,  
D8/356, DIG. 1; D24/145, 167, 186, 146,  
D24/169; D10/57, 72, 106.1, 104.1,  
D10/104.2, 109.2, 70, 97, 98, 78, 65;  
D20/28; 224/666, 678; 16/445; 283/74,  
283/70; D11/232, 200, 216, 1, 2, 86, 87,  
D11/201, 206-210, 212-215, 218;  
24/163 K, 122.3, 323, 702, 600.4-600.7,  
24/163 R, 169-171, 173, 177-179, 191,  
24/194, 195, 197, 200, 303, 616, 635,  
24/313, 615, 3, 6, 3 K, 599.2, 96, 221,

24/237, 311, 312, 314, 321, 338, 339,  
24/309; 428/3, 4; 54/76, 1, 71; 63/29.1,  
63/3; 191/12.2 R, 12.4; D13/154, 153,  
D13/137.4, 155, 103, 168; D19/69, 67;  
379/438; 446/26; 473/576; D22/140;  
174/135; 439/504, 13, 501; D34/33;  
188/83, 82.1, 65.1; 254/134.3 FT;  
D29/124; D2/627, 624, 633, 625;  
132/145, 146, 148; 2/314; 59/79.1;  
(Continued)

(56) **References Cited**

U.S. PATENT DOCUMENTS

D541,689 S \* 5/2007 Meyers ..... D10/118  
7,996,983 B2 \* 8/2011 Lee, IV ..... A01K 27/009  
29/595

(Continued)

*Primary Examiner* — Susan Moon Lee

(74) *Attorney, Agent, or Firm* — Jose Cherson Weissbrot

(57) **CLAIM**

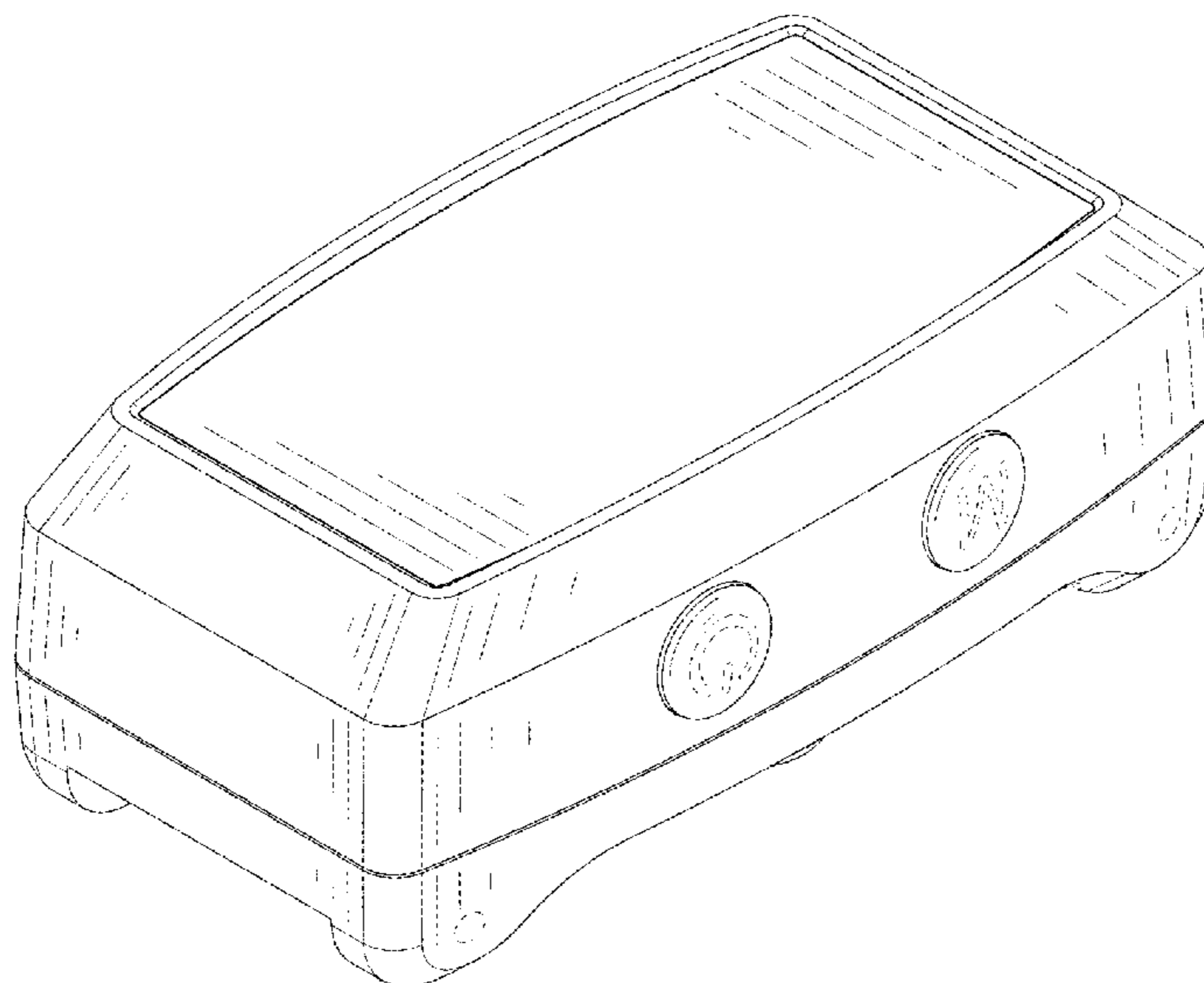
The ornamental design for a stop barking device, as shown and described.

**DESCRIPTION**

FIG. 1 is a first perspective view of a stop barking device showing my new design;  
FIG. 2 is a second perspective view thereof;  
FIG. 3 is a front view thereof;  
FIG. 4 is a back view thereof;  
FIG. 5 is a left side view thereof;  
FIG. 6 is a right side view thereof;  
FIG. 7 is a top view thereof; and,  
FIG. 8 is a bottom view thereof.

The broken lines shown in the drawings depict portions of the stop barking device that form no part of the claimed design.

**1 Claim, 8 Drawing Sheets**



(58) **Field of Classification Search**

USPC ..... 340/573.3, 573.1, 573, 573.4,  
 340/539.13–539.19; 343/895;  
 278/8 AES; 231/7; 361/232; D14/344,  
 D14/341, 137, 155, 496, 203.5, 203.3,  
 D14/144, 218, 188, 216, 192;  
 342/357.51, 357.57, 357.52, 357.55;  
 455/100, 352, 456.1, 550.1; 315/291  
 CPC .... A01K 15/021; A01K 15/02; A01K 15/022;  
 A01K 15/023; A01K 15/029; A01K  
 15/04; A01K 15/00; A01K 15/006; A01K  
 12/022; A01K 27/009; A01K 27/00;  
 A01K 27/001; A01K 27/006–008; A01K  
 29/005; A01K 29/00; A61B 5/0002–0028;  
 A61B 5/681; A61B 5/6822; A61B  
 5/6824; A61B 5/6829; G01S 5/0294  
 See application file for complete search history.

(56) **References Cited**

U.S. PATENT DOCUMENTS

D715,675 S \* 10/2014 Ma ..... D11/3  
 D726,052 S \* 4/2015 Henning ..... D10/70  
 9,332,812 B2 \* 5/2016 Ma ..... A44C 15/0015  
 9,861,080 B1 \* 1/2018 Hathway ..... A01K 27/001  
 D826,763 S \* 8/2018 Chuang ..... D11/3  
 D829,120 S \* 9/2018 Mitchell ..... D10/104.1  
 10,154,651 B2 \* 12/2018 Goetzl ..... A01K 15/021  
 D850,733 S 6/2019 Dong  
 D853,666 S \* 7/2019 Ni ..... D10/104.1  
 D860,989 S \* 9/2019 Choplin ..... D14/344  
 D865,546 S \* 11/2019 Kellock ..... D10/70  
 D865,761 S \* 11/2019 Choplin ..... D14/344

D884,994 S \* 5/2020 Ni ..... D10/104.1  
 D888,353 S \* 6/2020 Lan ..... D10/104.1  
 D891,286 S \* 7/2020 Worth ..... D11/3  
 D895,908 S \* 9/2020 Yan ..... D14/188  
 D898,307 S \* 10/2020 Yang ..... D10/104.1  
 D906,845 S \* 1/2021 Larsen ..... D10/46  
 D909,369 S \* 2/2021 Wu ..... D14/344  
 D910,306 S \* 2/2021 Chui ..... D3/205  
 D919,201 S \* 5/2021 Wang ..... D10/104.1  
 D929,682 S \* 8/2021 Li ..... D10/104.1  
 D943,844 S \* 2/2022 Li ..... D10/104.1  
 D944,470 S \* 2/2022 Li ..... D10/104.1  
 D952,961 S \* 5/2022 Li ..... D30/152  
 D954,015 S \* 6/2022 Chen ..... D14/155  
 D957,763 S 7/2022 Jia  
 D965,926 S \* 10/2022 Mo ..... D10/104.1  
 D970,827 S \* 11/2022 Zhuang ..... D30/152  
 D972,236 S \* 12/2022 Liang ..... D10/104.1  
 D972,791 S \* 12/2022 Deng ..... D30/152  
 D976,730 S \* 1/2023 Wernimont ..... D10/104.1  
 D980,552 S 3/2023 Jia  
 D984,070 S \* 4/2023 Yang ..... D10/104.1  
 D985,865 S \* 5/2023 Miao ..... D10/104.1  
 D987,920 S \* 5/2023 Xia ..... D10/104.1  
 D990,072 S \* 6/2023 Li ..... D10/104.1  
 D991,191 S \* 7/2023 Miao ..... D10/104.1  
 D995,012 S \* 8/2023 Li ..... D10/104.1  
 D998,261 S \* 9/2023 Wen ..... D10/104.1  
 D998,916 S \* 9/2023 Xun ..... D10/104.1  
 2007/0209604 A1 \* 9/2007 Groh ..... A01K 15/021  
 119/858  
 2011/0232585 A1 \* 9/2011 Rich ..... A01K 27/009  
 342/458  
 2013/0027207 A1 \* 1/2013 Goetzl ..... H01Q 1/273  
 340/573.3  
 2018/0153137 A1 \* 6/2018 Goetzl ..... A01K 27/001  
 \* cited by examiner

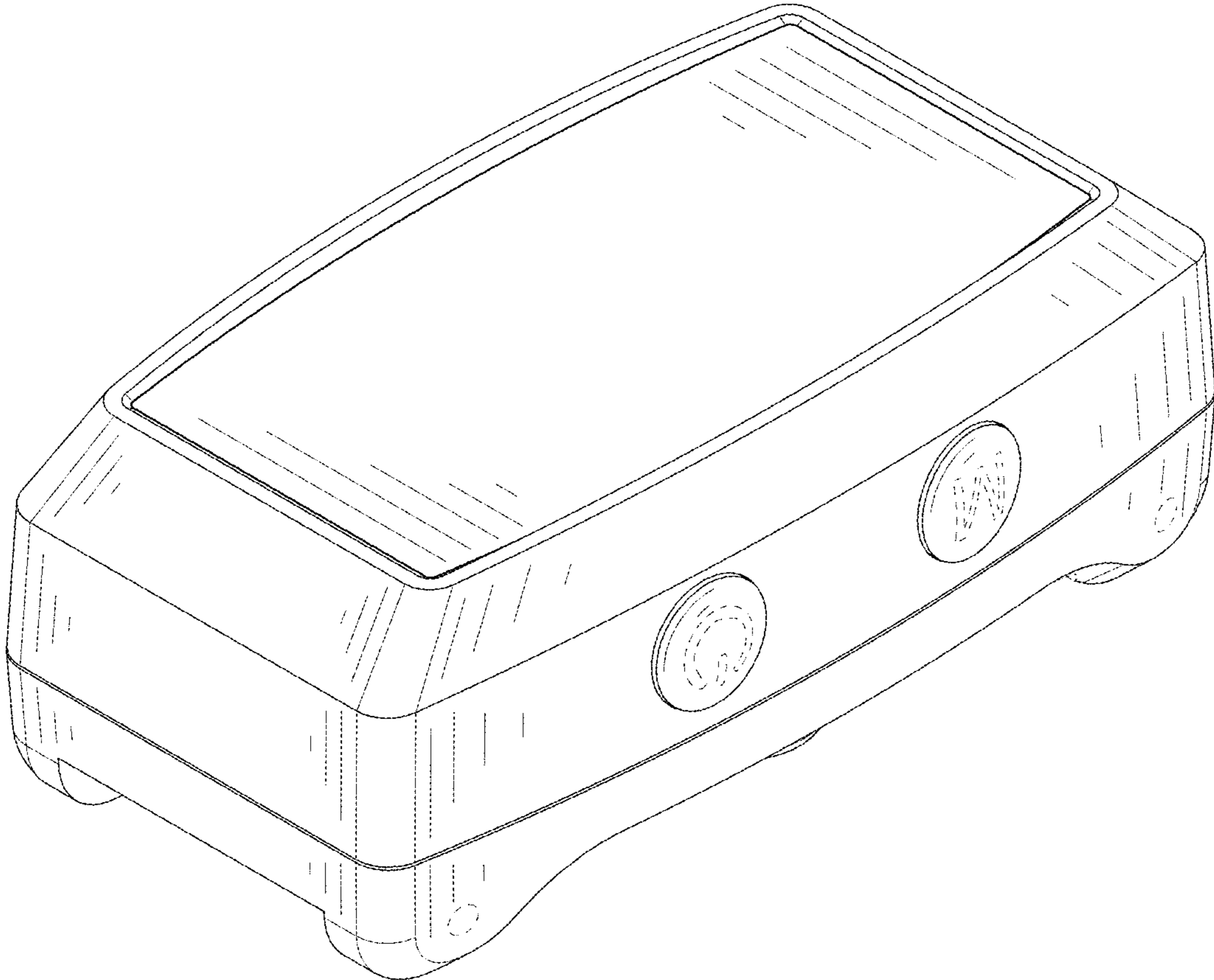


FIG. 1

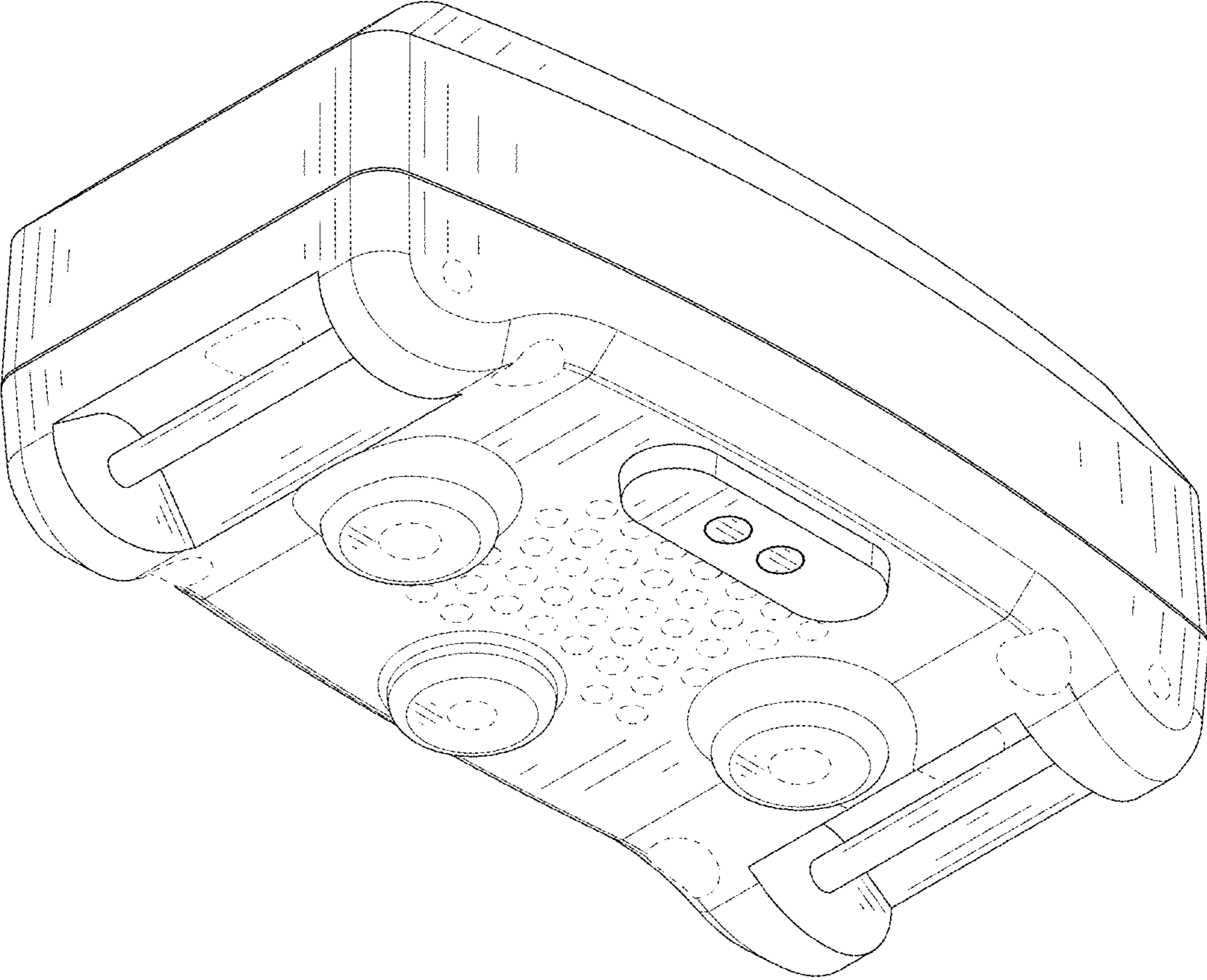


FIG. 2

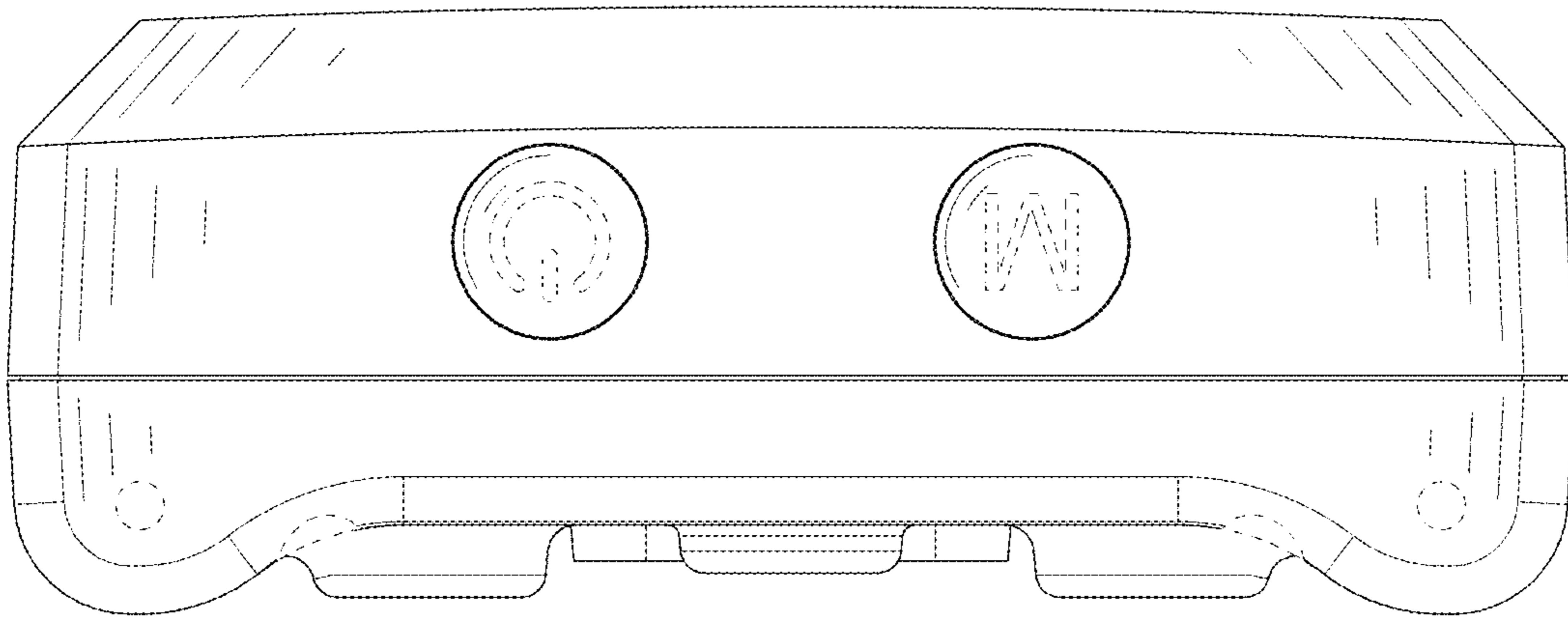


FIG. 3

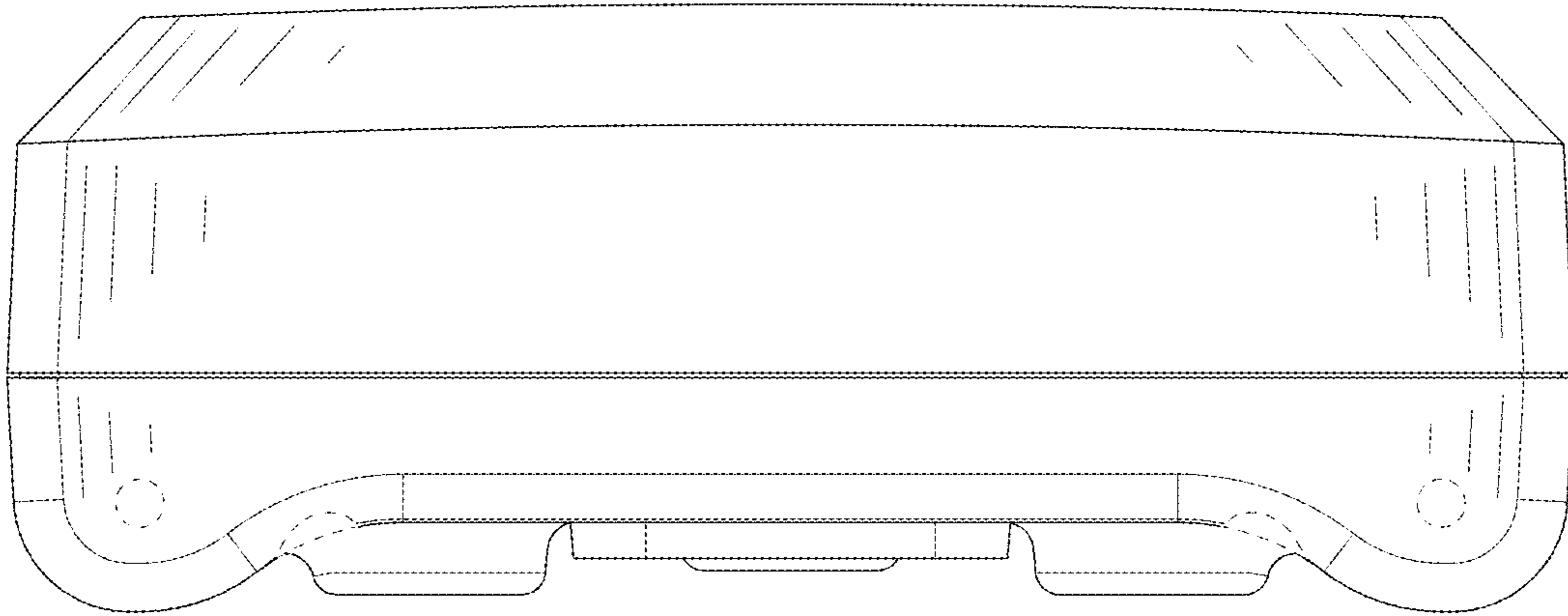


FIG. 4

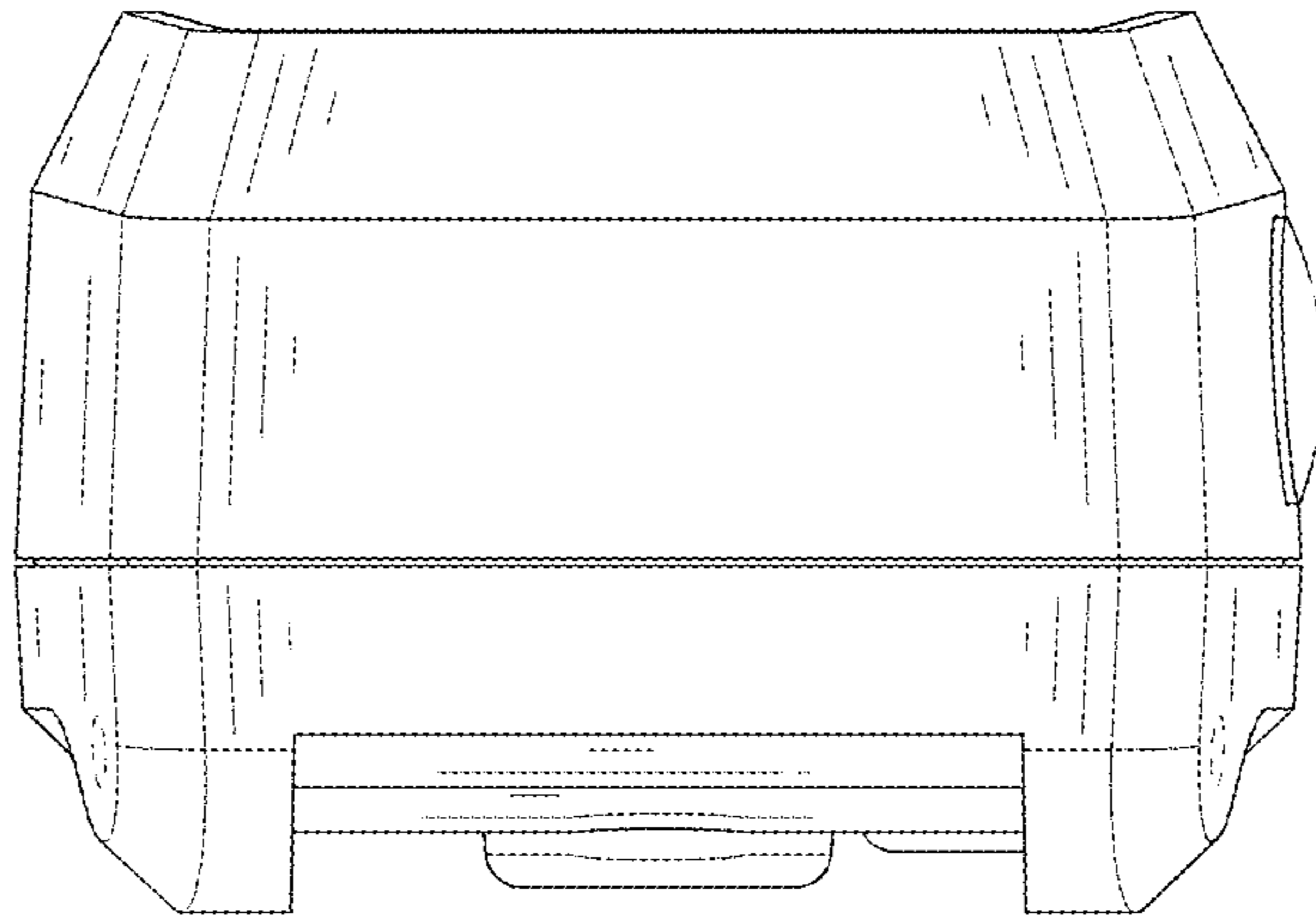


FIG. 5

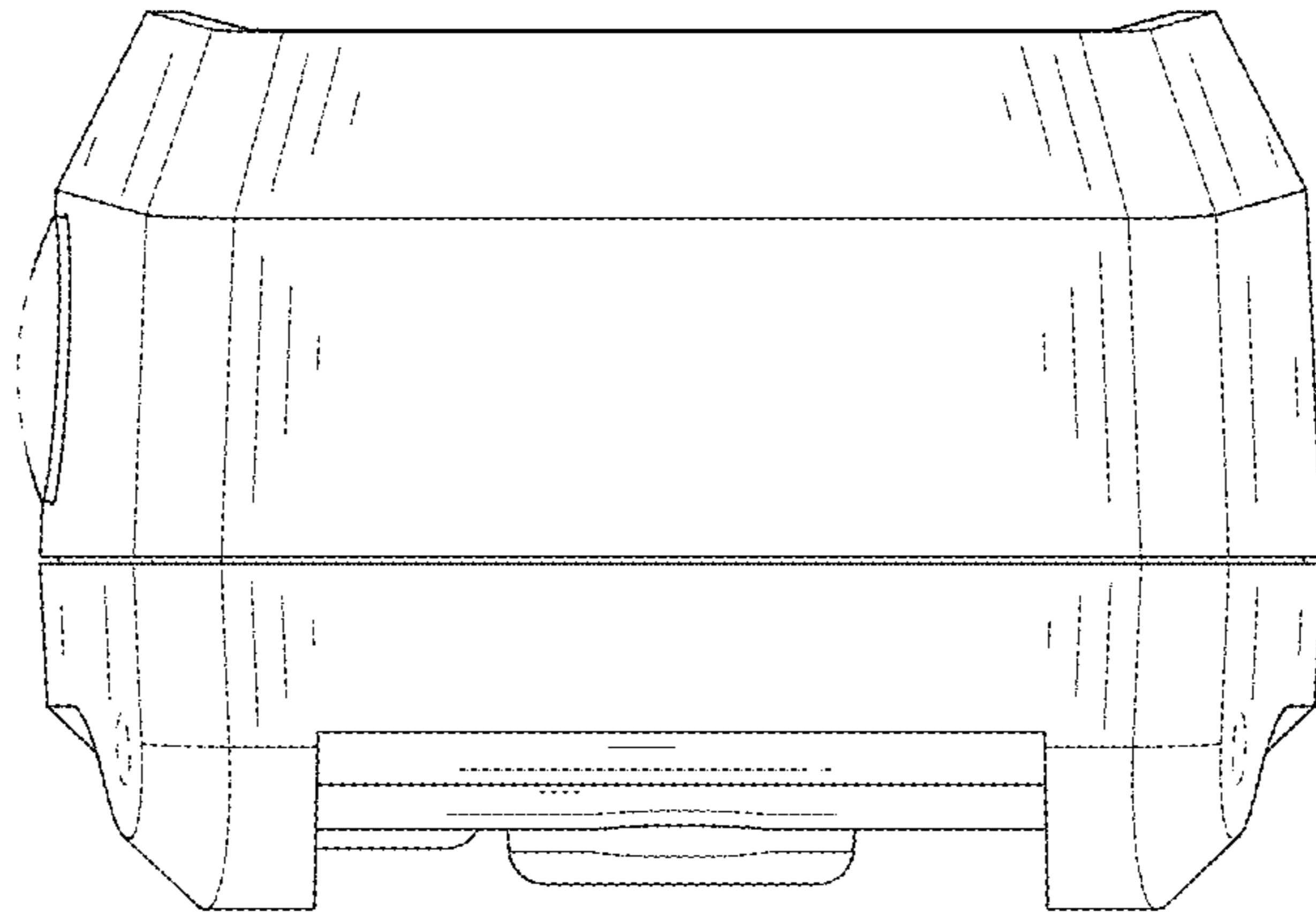


FIG. 6



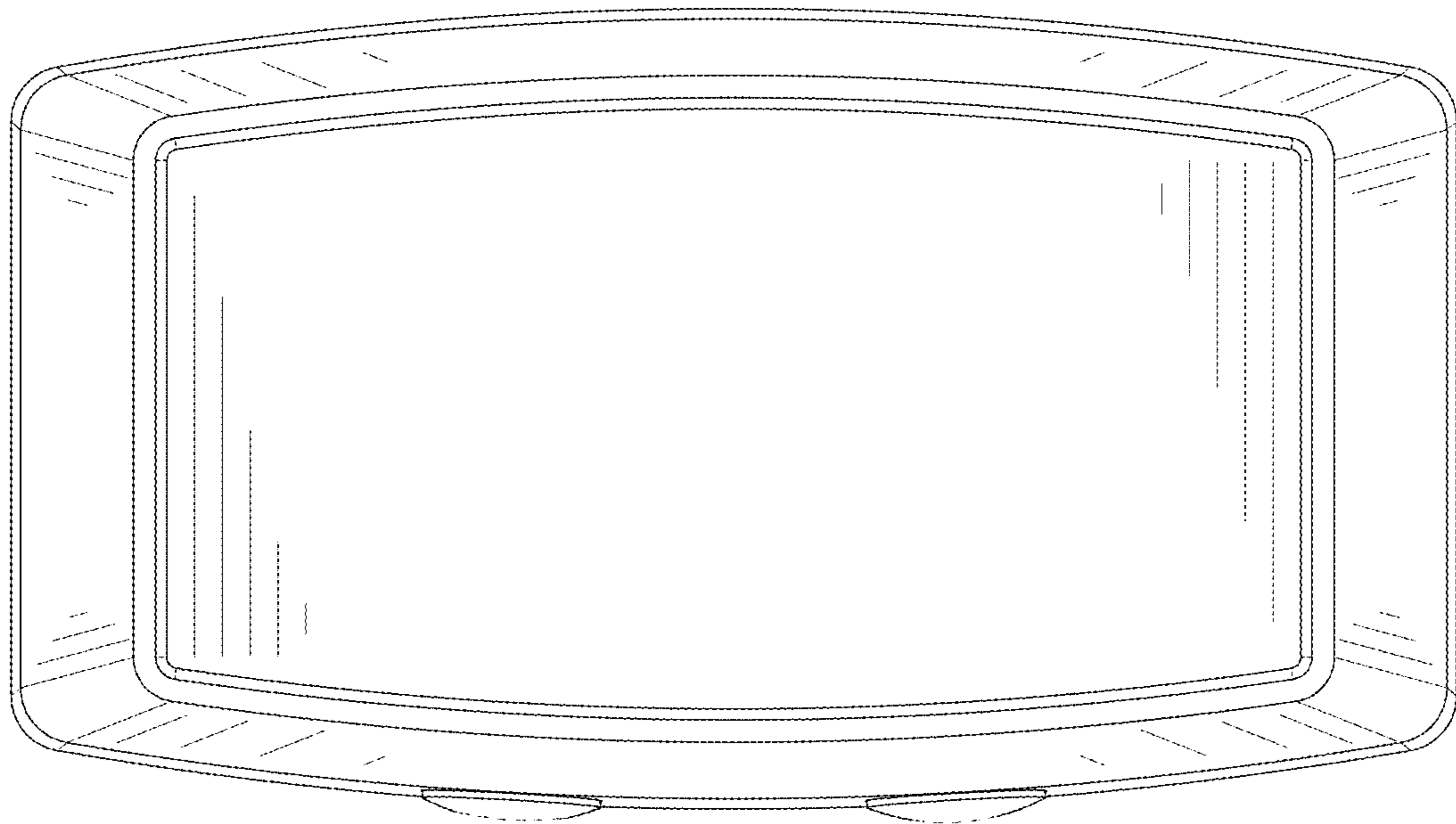


FIG. 7

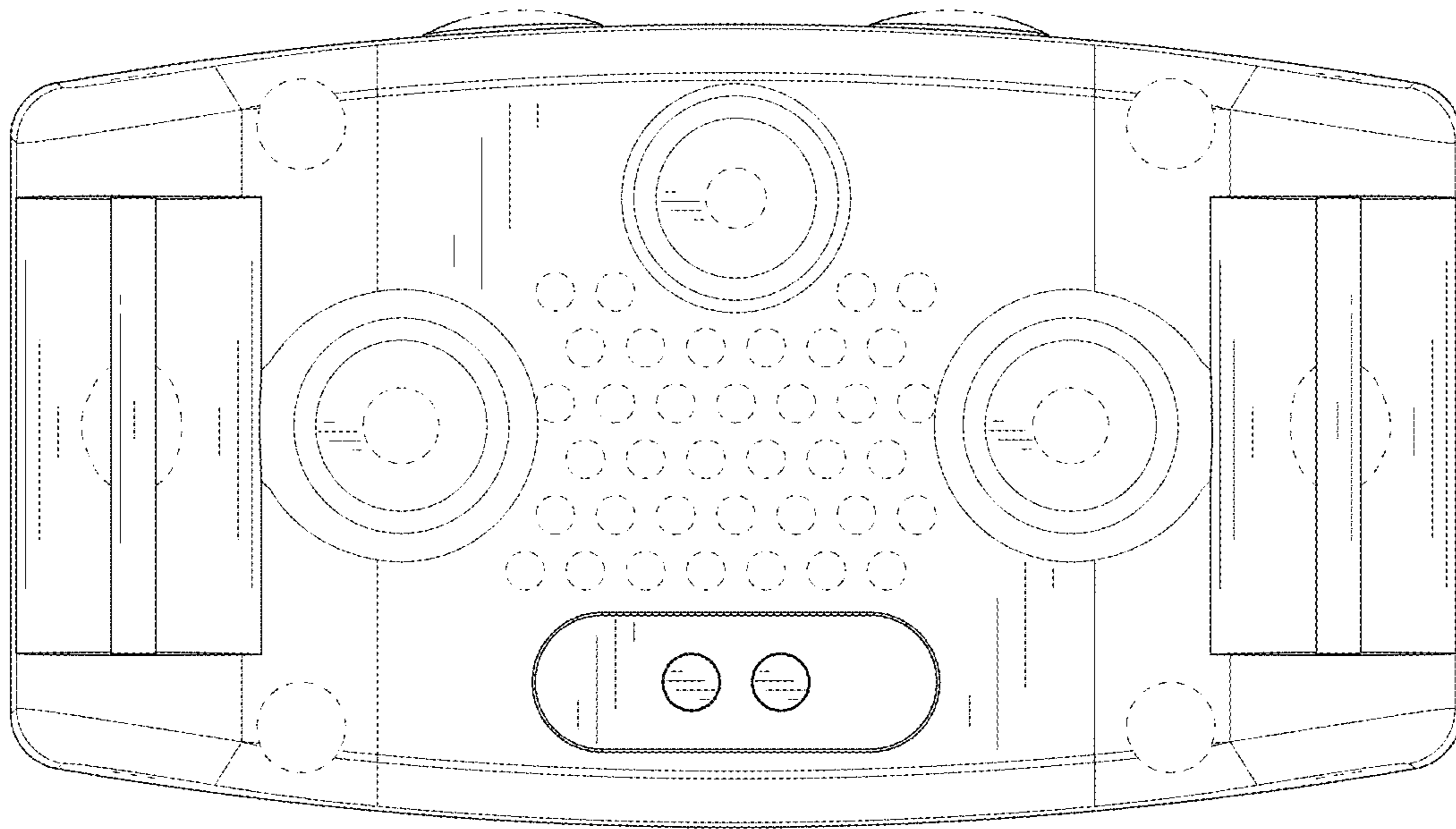


FIG. 8