



US0D1007691S

(12) **United States Design Patent** (10) **Patent No.:** **US D1,007,691 S**
Andersen (45) **Date of Patent:** **** Dec. 12, 2023**

(54) **SENSOR WITH CONNECTOR**

(71) Applicant: **GE Precision Healthcare LLC**,
Milwaukee, WI (US)

(72) Inventor: **Klaus Axel Andersen**, Helsinki (FI)

(73) Assignee: **GE PRECISION HEALTHCARE LLC**, Milwaukee, WI (US)

(**) Term: **15 Years**

(21) Appl. No.: **29/869,177**

(22) Filed: **Dec. 22, 2022**

Related U.S. Application Data

(62) Division of application No. 29/764,735, filed on Dec. 31, 2020, now Pat. No. Des. 977,654.

(51) **LOC (14) Cl.** **24-02**

(52) **U.S. Cl.**
USPC **D24/187**

(58) **Field of Classification Search**
USPC D24/107, 164–169, 185, 186, 187, 200,
D24/240; D13/103, 107, 110, 120, 123,
(Continued)

(56) **References Cited**

U.S. PATENT DOCUMENTS

4,704,091 A * 11/1987 Owens H01R 13/465
439/282

D393,830 S 4/1998 Tobler et al.
(Continued)

FOREIGN PATENT DOCUMENTS

JP D201925276 8/2020

OTHER PUBLICATIONS

“Annual Physical in a Patch: GE Scientists Developing Wearable Multi-Device Sensor Patch that Measures Sweat, Interstitial Fluids

and other Key Vitals,” General Electric Website, Available Online at <https://www.ge.com/news/press-releases/annual-physical-patch-ge-scientists-developing-wearable-multi-device-sensor-patch>, Sep. 5, 2019, 3 pages.

Primary Examiner — Omeed Agilee

(74) *Attorney, Agent, or Firm* — McCoy Russell LLP

(57) **CLAIM**

The ornamental design for a sensor with connector, as shown and described.

DESCRIPTION

FIG. 1 is a top rear perspective view of a sensor with connector according to the claimed design.

FIG. 2 is a front view of the sensor with connector.

FIG. 3 is a rear view of the sensor with connector.

FIG. 4 is a right side view of the sensor with connector.

FIG. 5 is a left side view of the sensor with connector.

FIG. 6 is a top view of the sensor with connector.

FIG. 7 is a bottom view of the sensor with connector.

FIG. 8 is a perspective view of the sensor with connector with the sensor and connector in a detached configuration.

FIG. 9 is a front view of the sensor in the detached configuration of FIG. 8.

FIG. 10 is a rear view of the sensor in the detached configuration of FIG. 8.

FIG. 11 is a right side view of the sensor in the detached configuration of FIG. 8.

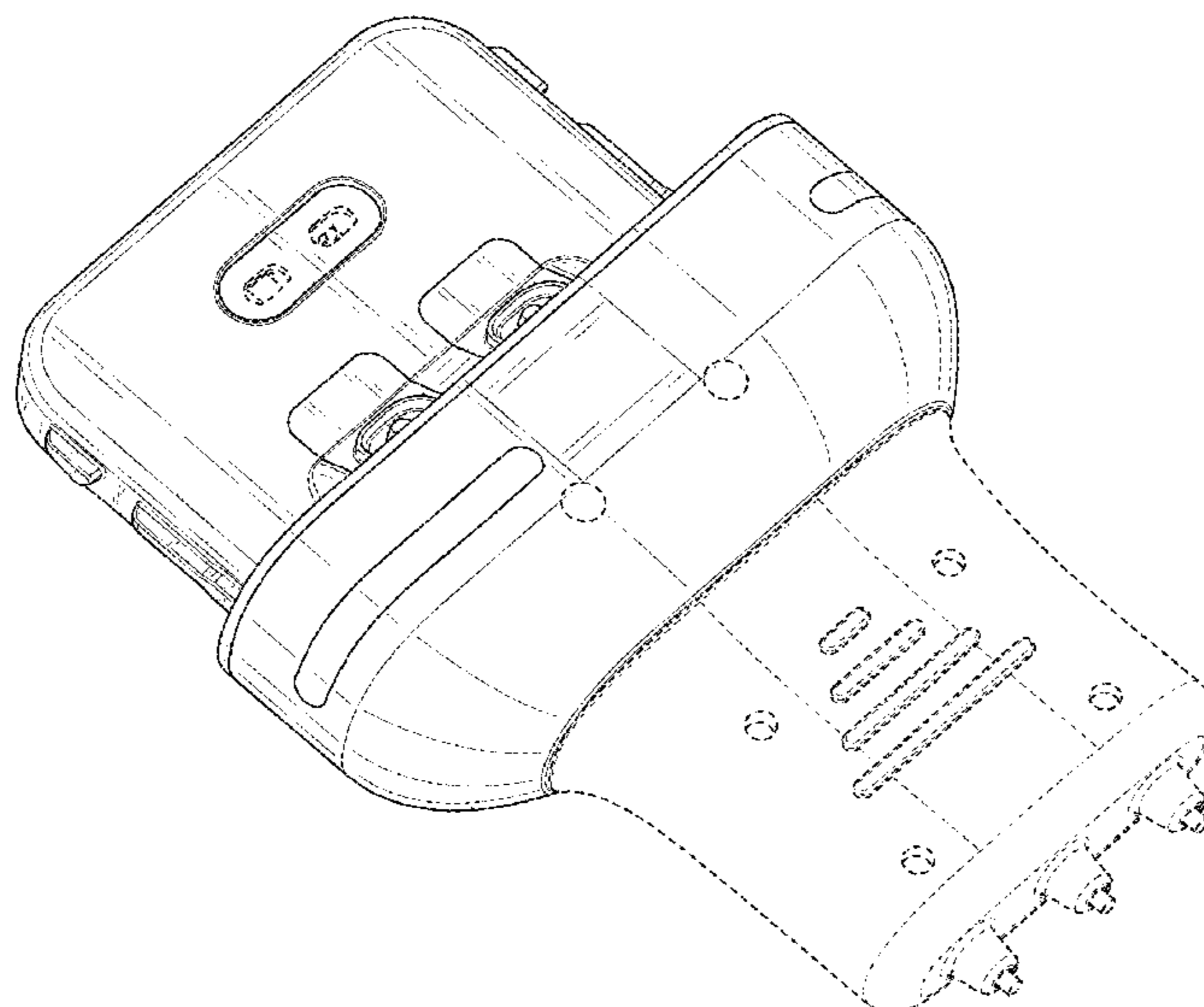
FIG. 12 is a left side view of the sensor in the detached configuration of FIG. 8.

FIG. 13 is a top view of the sensor in the detached configuration of FIG. 8; and,

FIG. 14 is a bottom view of the sensor in the detached configuration of FIG. 8.

The broken lines in the drawings illustrate portions of the sensor with connector that form no part of the claimed design.

1 Claim, 14 Drawing Sheets



(58) **Field of Classification Search**
 USPC D13/133; D14/356, 358, 383–386, 432,
 D14/433, 434, 435, 435.1, 437,
 D14/480.1–480.7, 484, 484.1
 CPC H05K 5/006; H01R 31/005; H01R 27/02;
 B60R 16/02; A61B 5/1473; A61B 5/6833;
 A61B 5/688; A61B 5/0002; A61B 5/042;
 A61B 5/0404; A61B 5/0416; G01D
 11/245
 See application file for complete search history.

(56) **References Cited**
 U.S. PATENT DOCUMENTS

D599,800 S * 9/2009 Klein D14/433
 D603,966 S 11/2009 Jones et al.
 D606,656 S 12/2009 Kobayashi et al.

D618,803 S 6/2010 Lash et al.
 D621,041 S 8/2010 Mao et al.
 D663,693 S * 7/2012 Smith D13/146
 D678,202 S 3/2013 Corona
 D729,169 S * 5/2015 Corona D13/146
 D766,183 S 9/2016 Corona
 D773,057 S 11/2016 Vandiver
 D825,568 S 8/2018 Morris et al.
 D856,285 S 8/2019 Szymura et al.
 D877,152 S 3/2020 Maus et al.
 D904,417 S 12/2020 Cueto et al.
 D928,710 S * 8/2021 Gonzalez D13/133
 D939,504 S 12/2021 Zhang et al.
 D943,532 S 2/2022 Zhang
 D950,572 S * 5/2022 Song D14/480.1
 D952,563 S * 5/2022 Lee D13/133
 D967,438 S * 10/2022 Andersen D24/187
 D977,654 S * 2/2023 Andersen D24/187

* cited by examiner

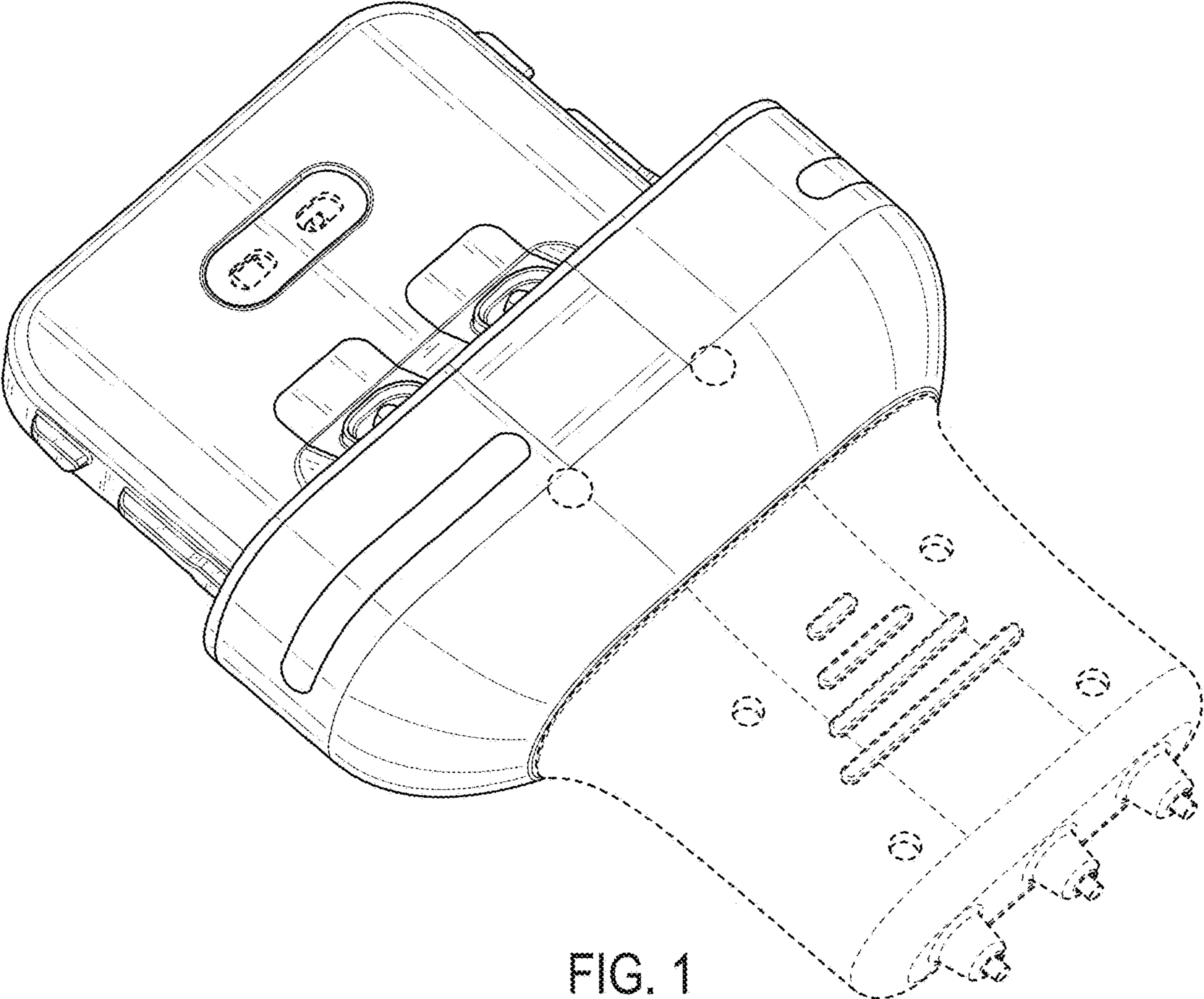


FIG. 1

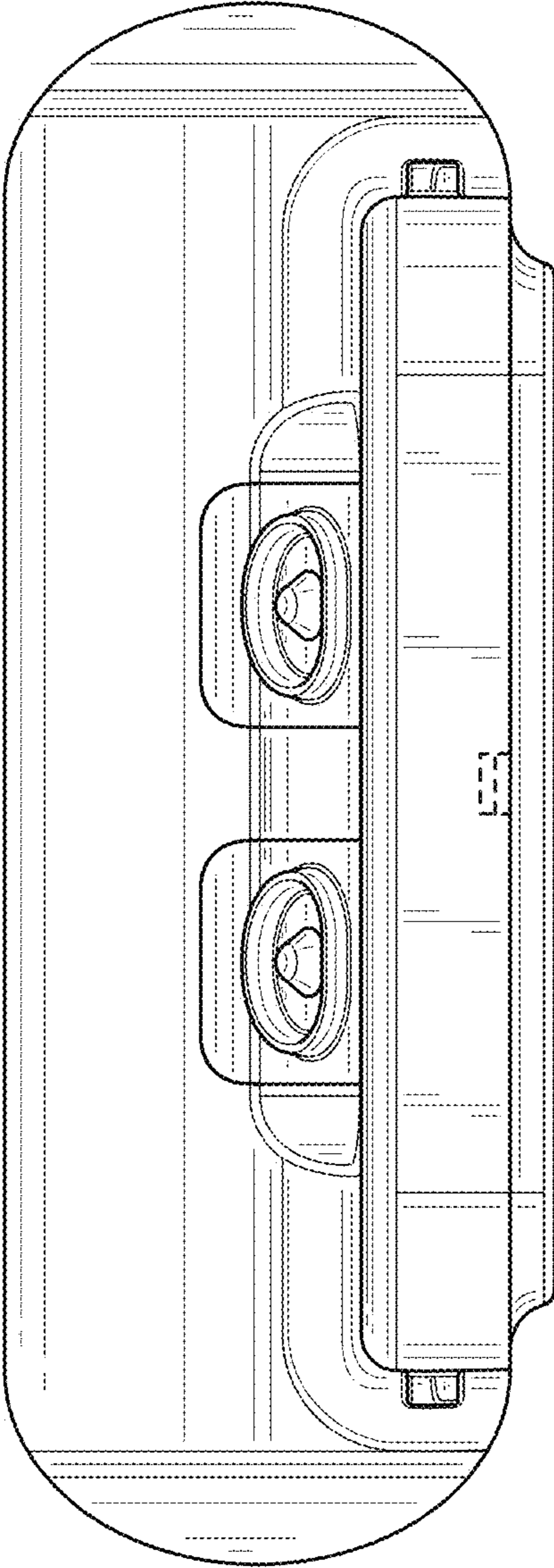


FIG. 2

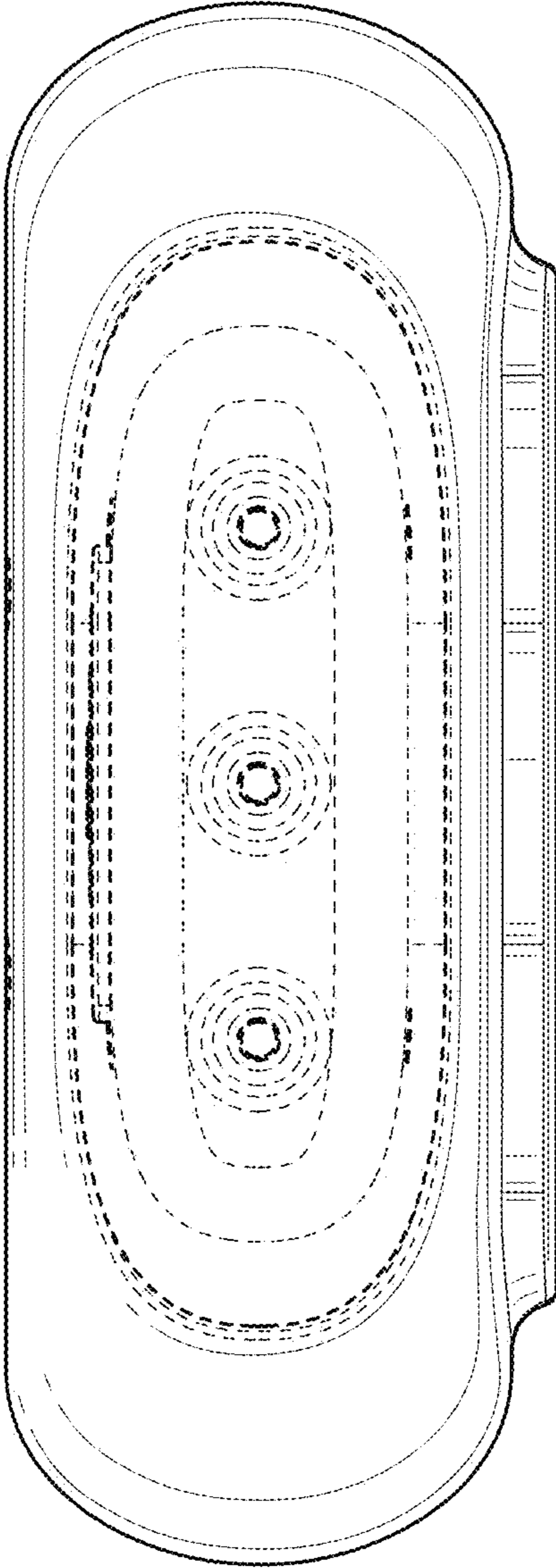


FIG. 3

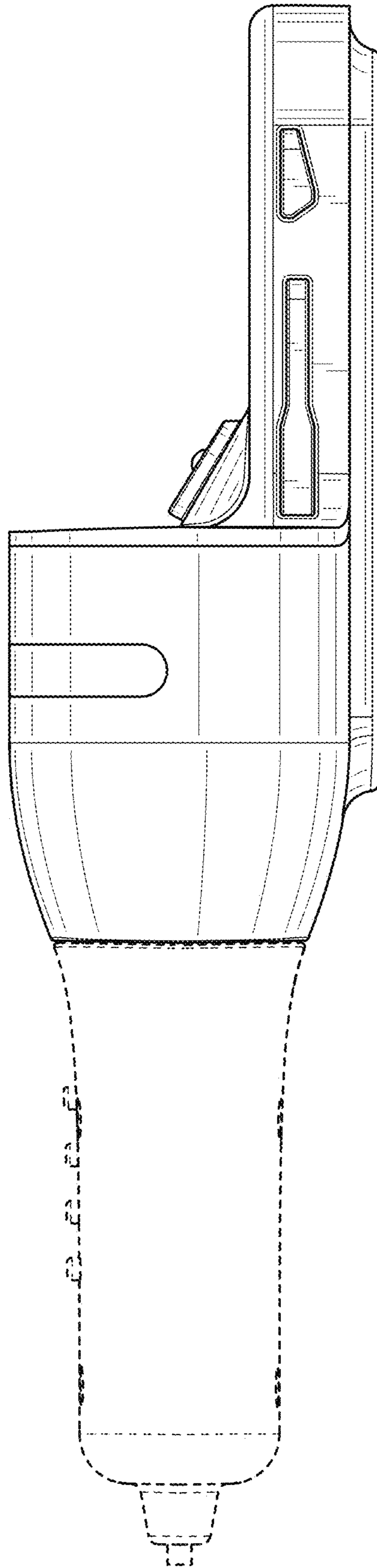


FIG. 4

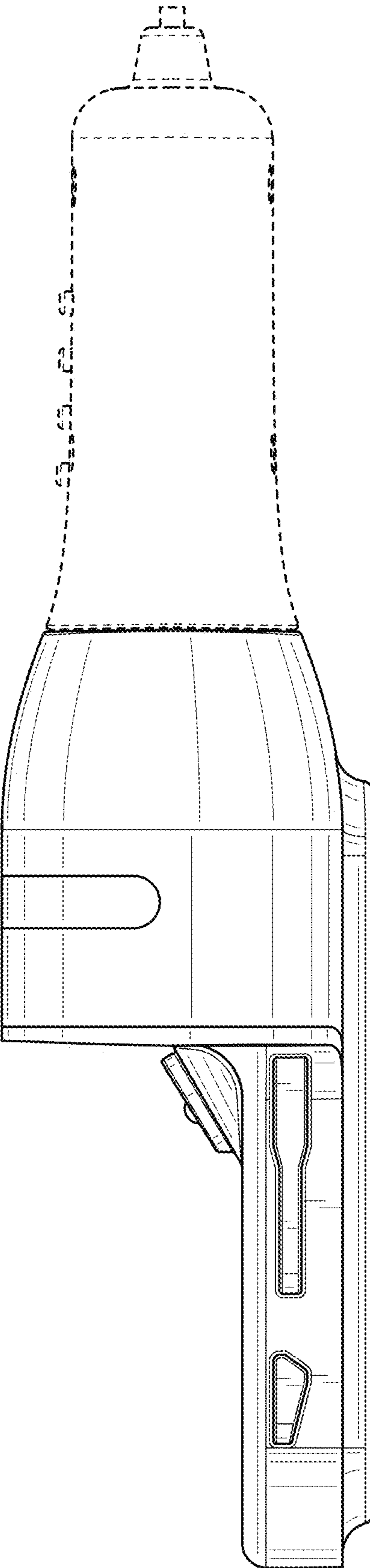


FIG. 5

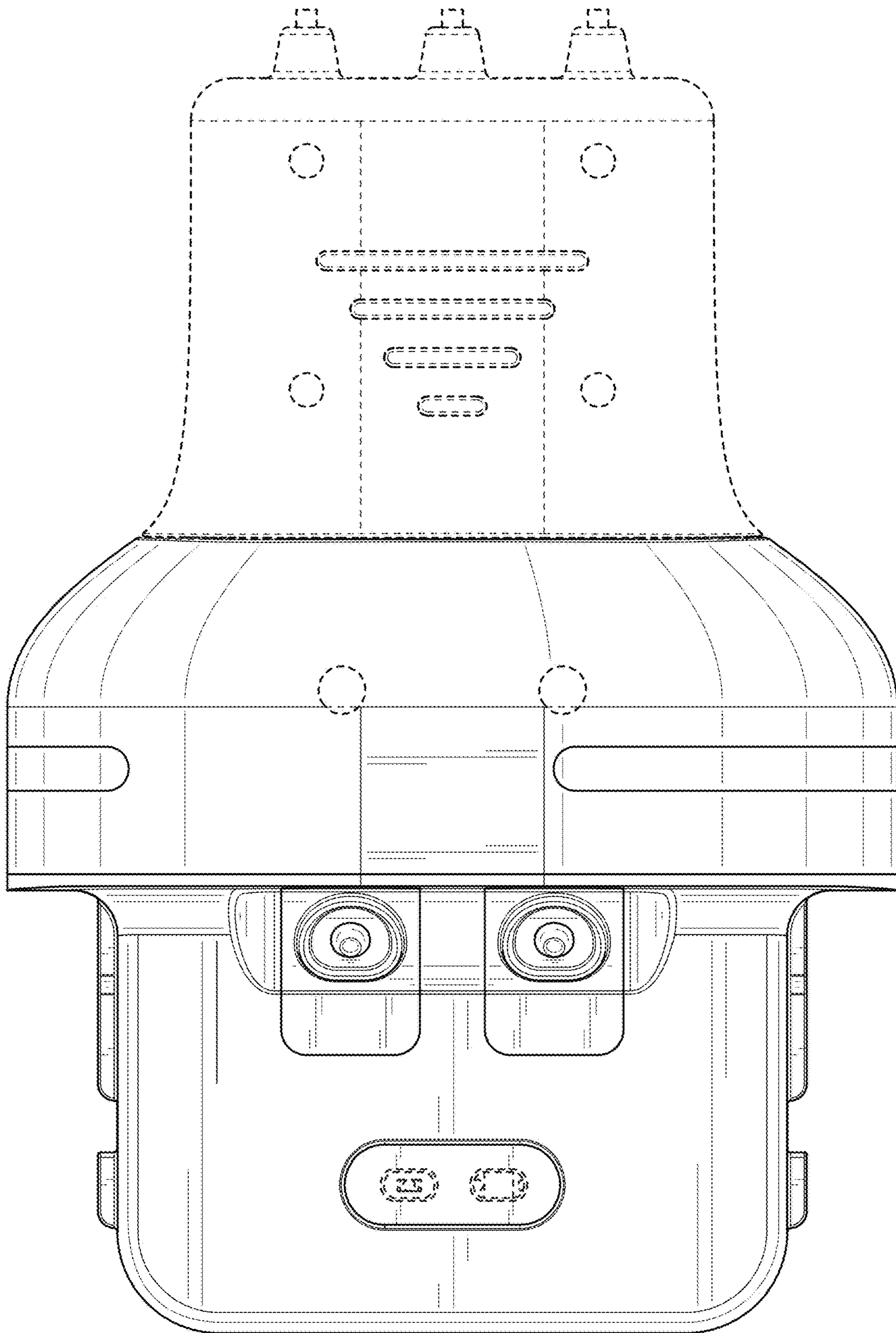


FIG. 6

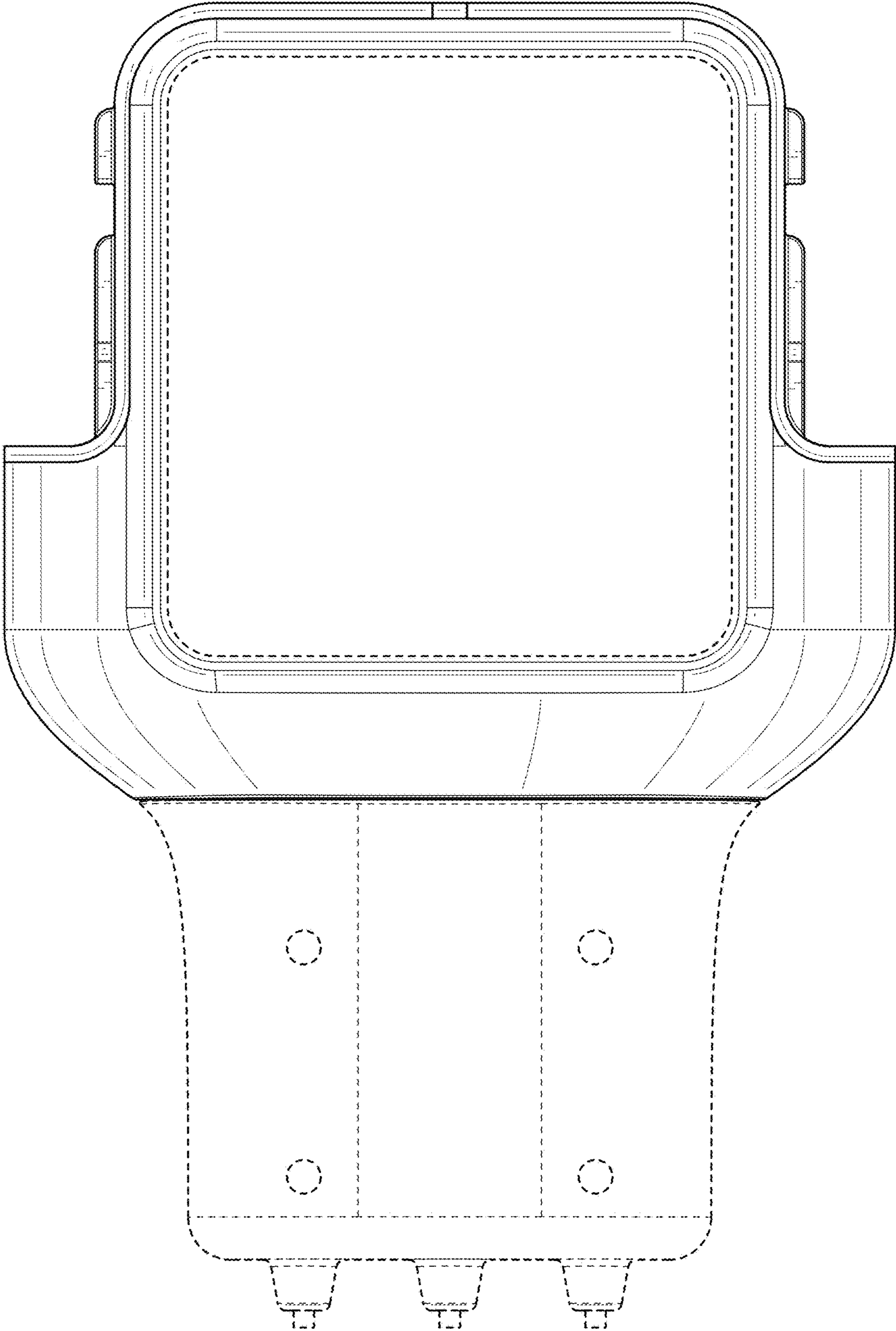


FIG. 7

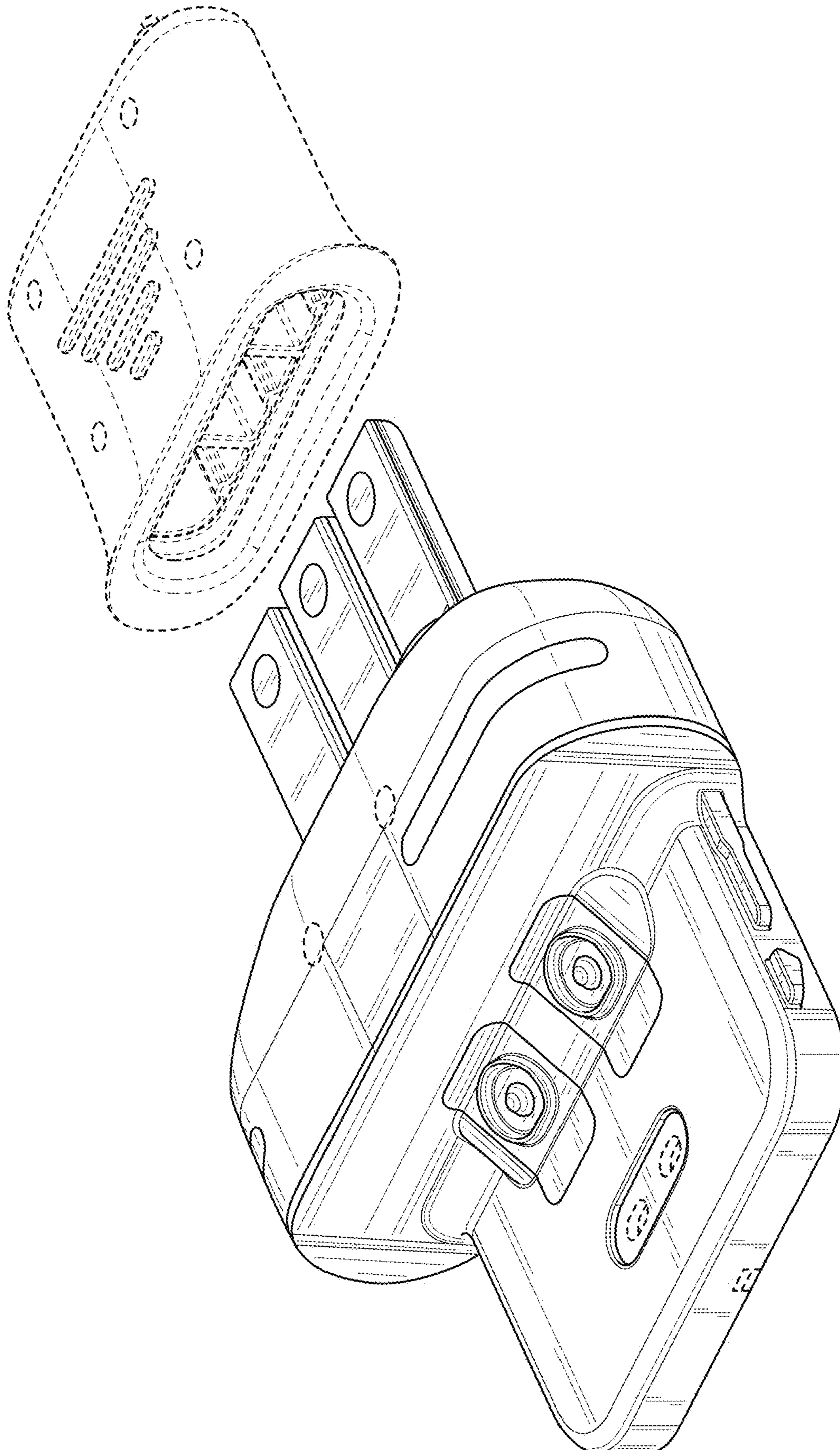


FIG. 8

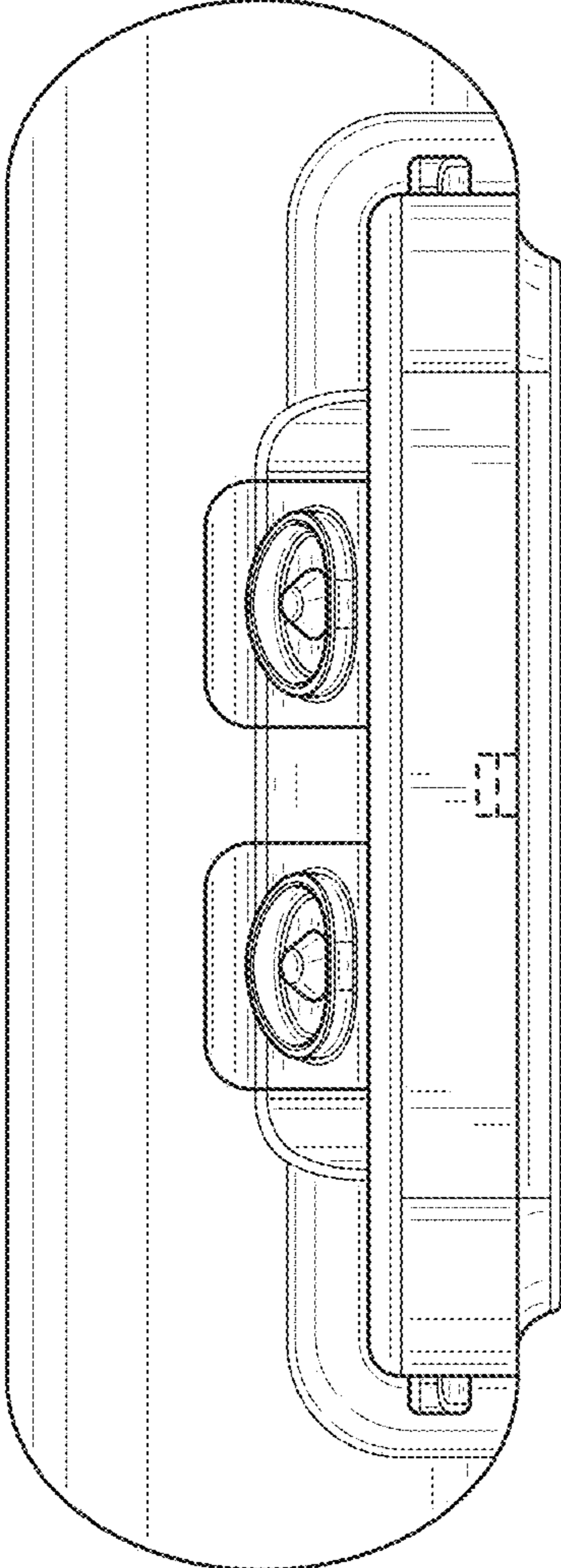


FIG. 9

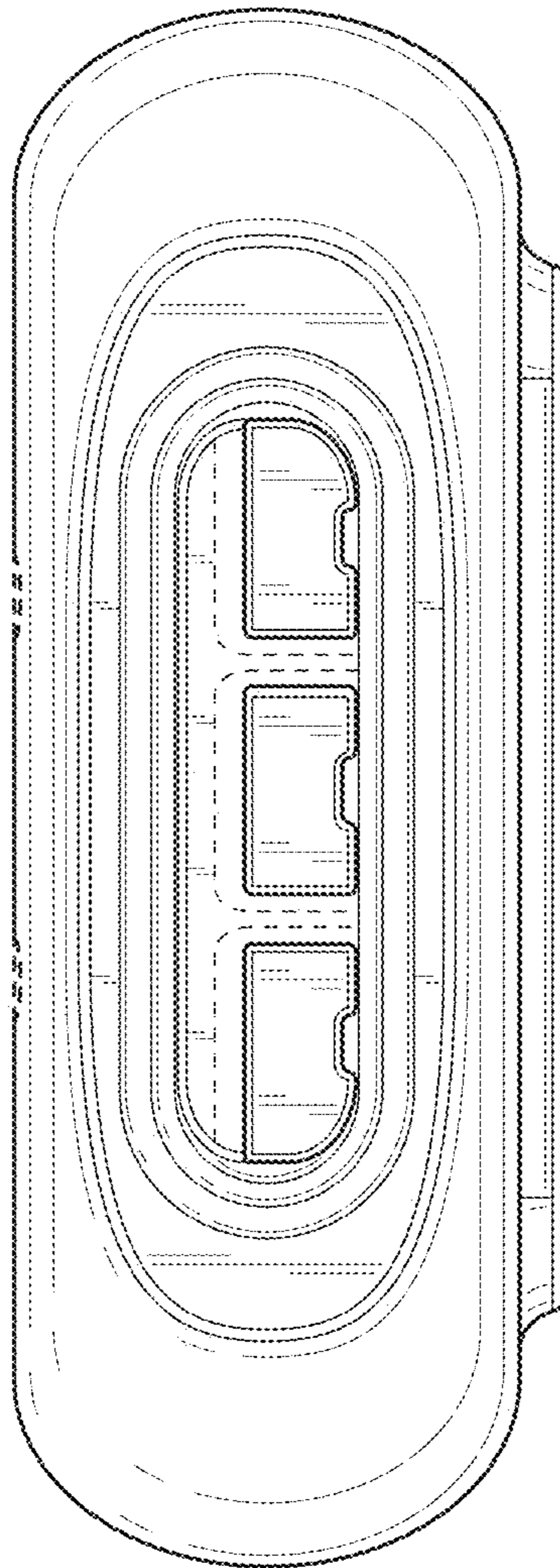


FIG. 10

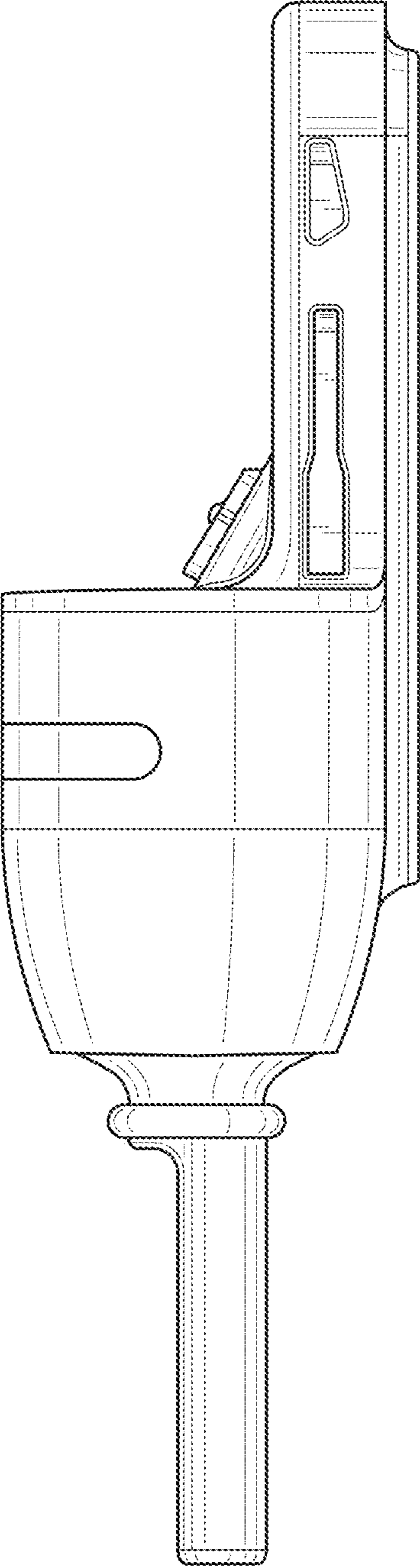


FIG. 11

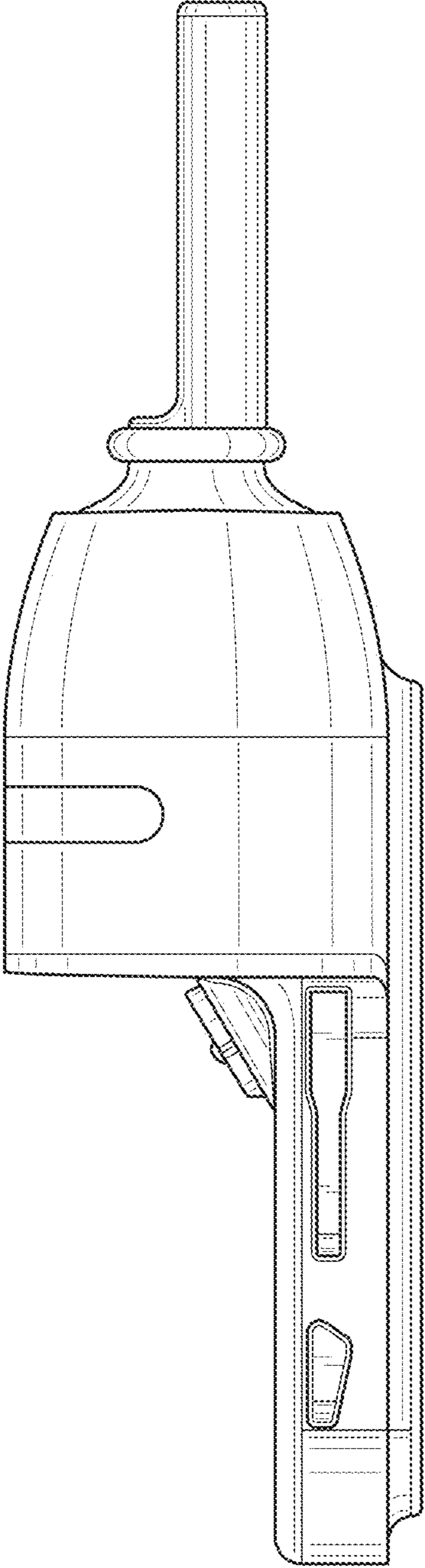


FIG. 12

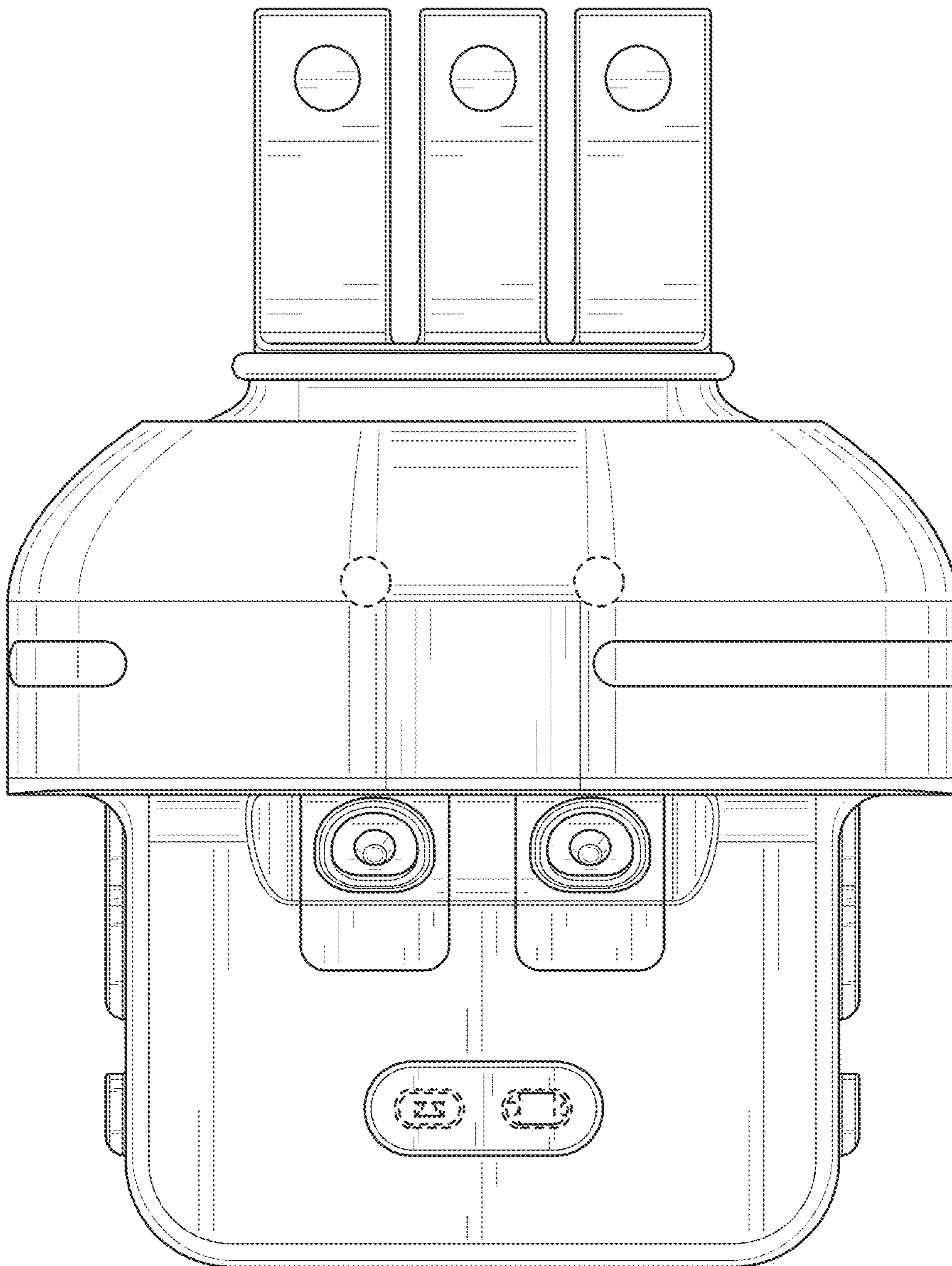


FIG. 13

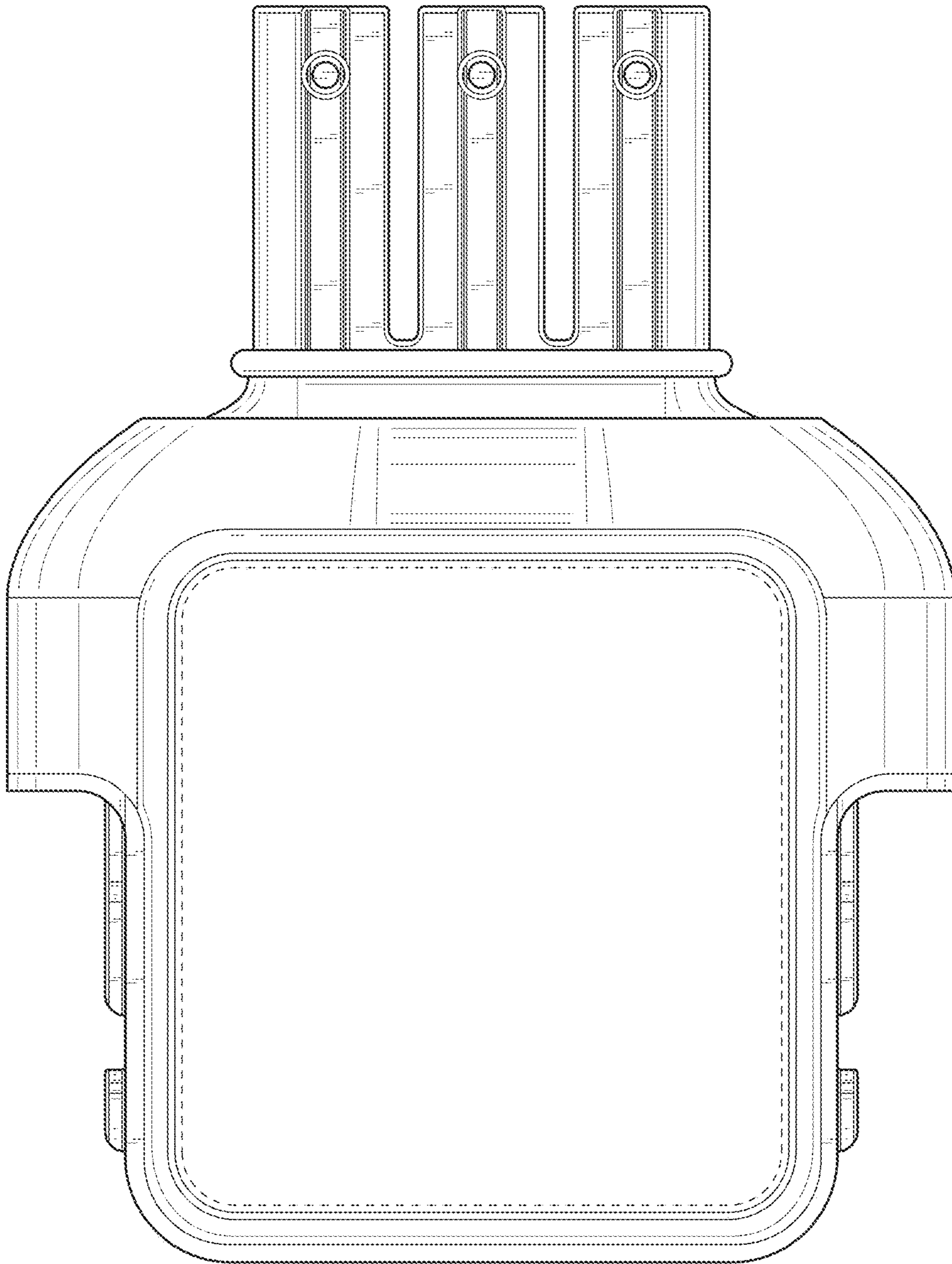


FIG. 14