



US0D1007655S

(12) **United States Design Patent** (10) **Patent No.:** **US D1,007,655 S**
Ledford et al. (45) **Date of Patent:** **** Dec. 12, 2023**

(54) **PUMP FLUID GUIDE**

FOREIGN PATENT DOCUMENTS

(71) Applicant: **Turtle Pump Company LLC**,
Florissant, CO (US)

EP 1027543 A1 8/2000
EP 2295808 B1 11/2019
NL 1034150 C2 1/2009

(72) Inventors: **Gary Alan Ledford**, Florissant, CO
(US); **Christopher Wiese**, Colorado
Springs, CO (US)

Primary Examiner — Calvin E Vansant
Assistant Examiner — Eidiol Ghigliotty Torres

(73) Assignee: **Turtle Pump Company LLC**,
Florissant, CO (US)

(57) **CLAIM**

The ornamental design for a pump fluid guide, as shown and described.

(**) Term: **15 Years**

DESCRIPTION

(21) Appl. No.: **29/909,309**

(22) Filed: **Aug. 3, 2023**

FIG. 1 is a front-top-left perspective view of a pump fluid guide showing our new design;
FIG. 2 is a front-top perspective view thereof;
FIG. 3 is a rear-top perspective view thereof;
FIG. 4 is a rear-bottom-right perspective view thereof;
FIG. 5 is a front elevational view thereof;
FIG. 6 is a rear elevational view thereof;
FIG. 7 is a left elevational view thereof;
FIG. 8 is a right elevational view thereof;
FIG. 9 is a top plan view thereof;
FIG. 10 is a bottom plan view thereof;
FIG. 11 is a cross sectional view thereof taken along line 11-11 in FIG. 5;
FIG. 12 is a cross sectional view thereof taken along line 12-12 in FIG. 7;
FIG. 13 is a cross sectional view thereof taken along line 13-13 in FIG. 7;
FIG. 14 is a reduced front-top-left perspective view thereof, wherein the pump fluid guide is integrated into a pump assembly; and,
FIG. 15 is a rear-bottom-right perspective view thereof, wherein the pump fluid guide is integrated into the pump assembly.
The broken line showing a pump assembly in FIGS. 14 and 15 is included for the purpose of illustrating environmental structure and forms no part of the claimed design.

Related U.S. Application Data

(63) Continuation-in-part of application No. 18/326,352,
filed on May 31, 2023.

(Continued)

(51) **LOC (14) Cl.** **23-07**

(52) **U.S. Cl.**
USPC **D23/259; D23/263**

(58) **Field of Classification Search**
USPC D7/312, 313; D8/354, 382, 396;
D23/213, 223, 229, 233, 249, 259, 260,

(Continued)

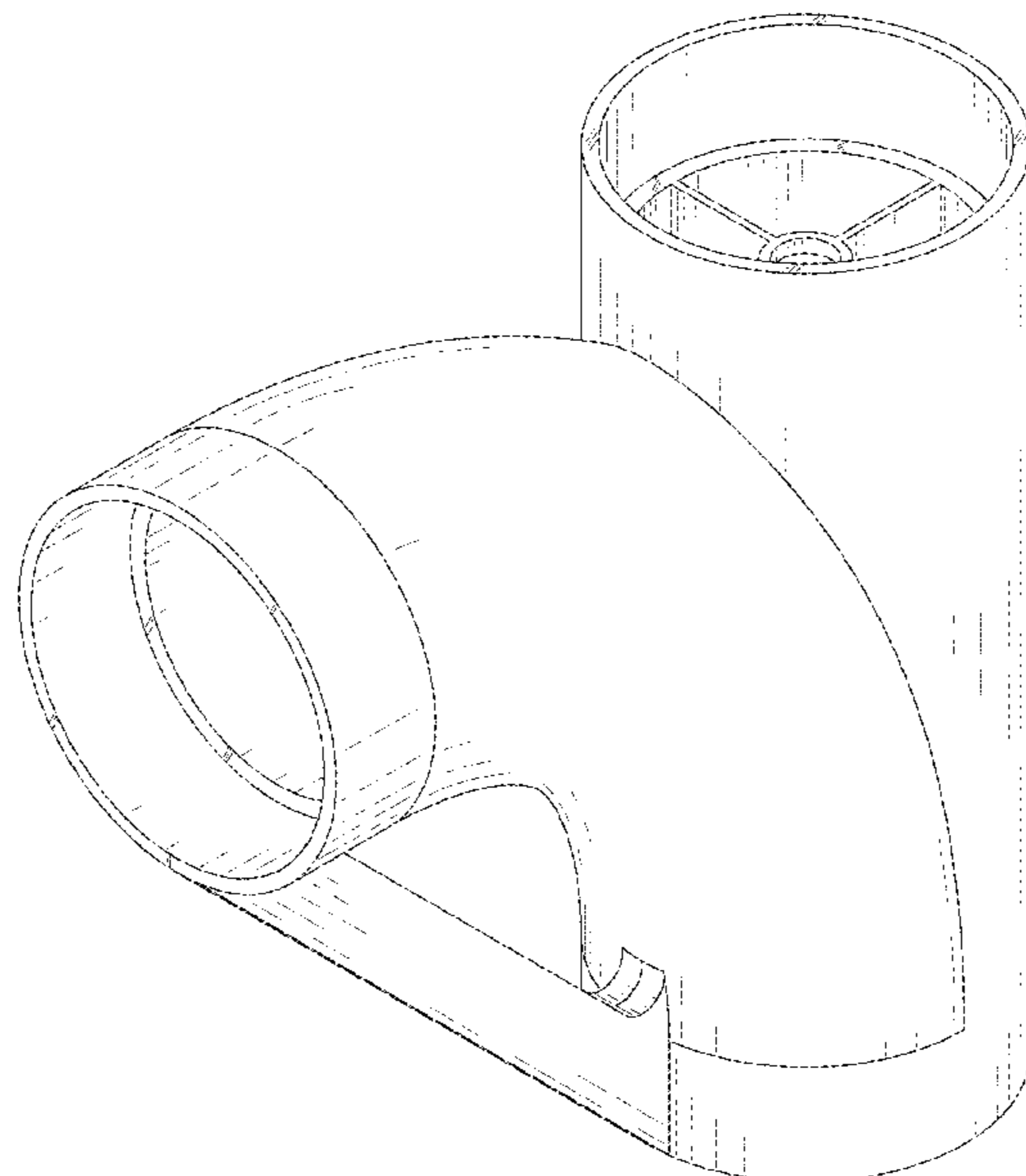
(56) **References Cited**

U.S. PATENT DOCUMENTS

1,696,776 A 12/1928 Menge
5,681,146 A * 10/1997 White F04D 29/181
416/223 R

(Continued)

1 Claim, 15 Drawing Sheets



Related U.S. Application Data

(60) Provisional application No. 63/490,141, filed on Mar. 14, 2023.

(58) **Field of Classification Search**

USPC D23/261, 262, 263, 264, 265, 266, 267, D23/268, 269, 365, 386, 387, 388, 397; D24/112, 129; D15/7, 8

CPC F16L 1/00; F16L 9/00; F16L 9/003; F16L 9/006; F16L 11/00; F16L 11/122; F16L 13/00; F16L 13/002; F16L 13/146; F16L 15/00; F16L 23/00; F16L 23/14; F16L 23/0283; F16L 25/0009; F16L 37/00; F16L 41/00; F16L 41/02; F16L 41/025; F16L 43/00; F16L 17/00; F16L 17/02; F16L 17/025; F16L 17/035; F16L 17/06; F16L 17/063; F16L 17/067; F16L 17/073; F16L 17/08; F16L 47/26; F16L 47/32; F16L 21/00; F16L 21/022; A61M 39/00; A61M 39/223; F16B 7/00; F16B 7/04; F16B 7/0486; F16B 7/0493; F16B 2/00;

F16B 2/08; F16B 12/40; F16B 23/00; F16B 23/0015; F16B 23/0046; F16B 21/00; F16B 21/02

See application file for complete search history.

(56)

References Cited

U.S. PATENT DOCUMENTS

D647,598 S * 10/2011 Matusche D23/233
9,476,424 B2 * 10/2016 Richter F04D 25/0686
D776,797 S * 1/2017 Bednarz D23/263
D857,856 S * 8/2019 Lee D23/263
D858,720 S * 9/2019 Lee D23/266
D861,836 S * 10/2019 Lee D23/263
D904,579 S * 12/2020 Parihar D23/263
10,882,593 B1 1/2021 Ledford
D925,011 S * 7/2021 Parihar D23/263
D965,117 S * 9/2022 Hanson D23/263
D992,701 S * 7/2023 Lee D23/263
2015/0275855 A1 10/2015 Pal et al.

* cited by examiner

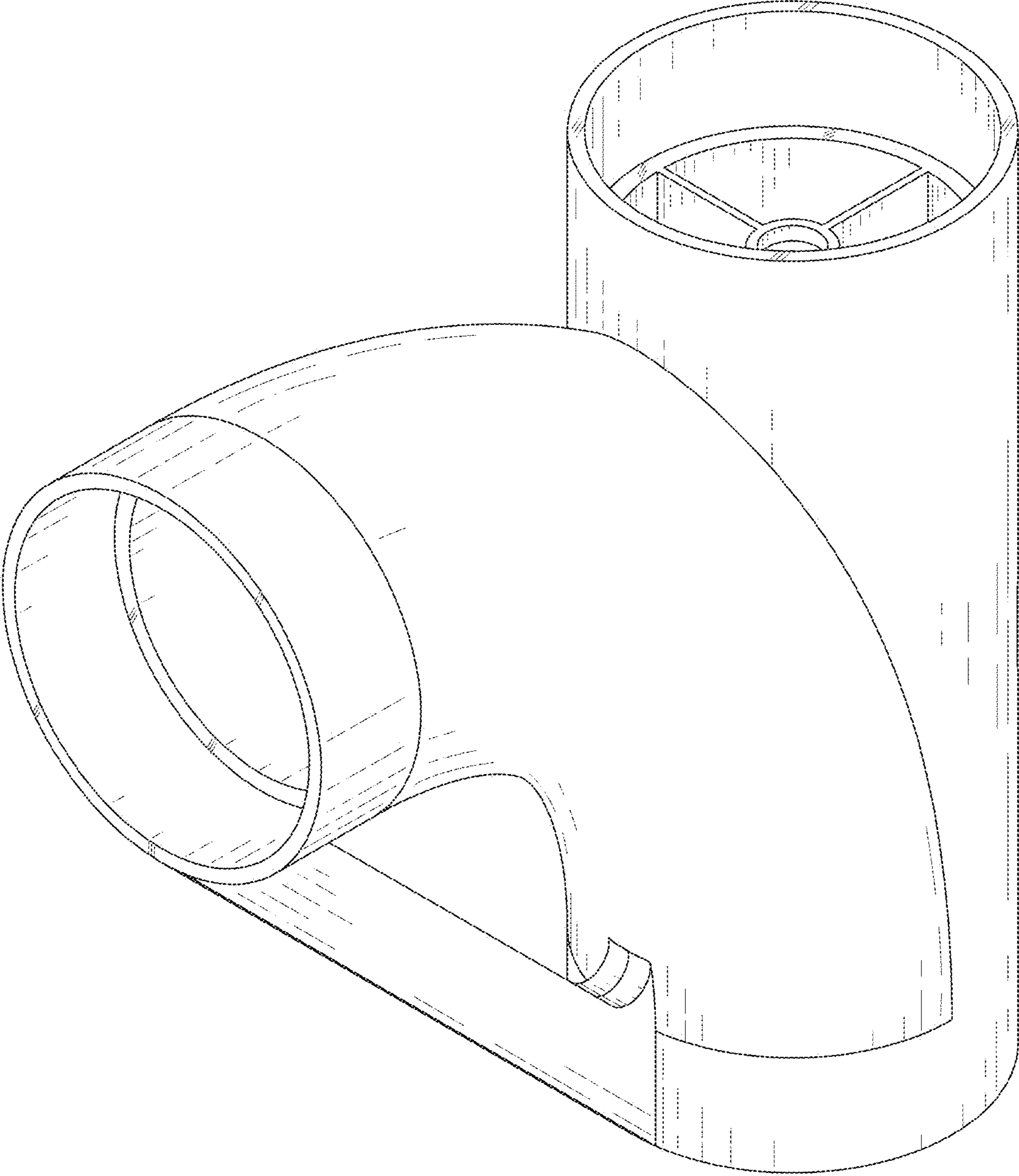


FIG. 1

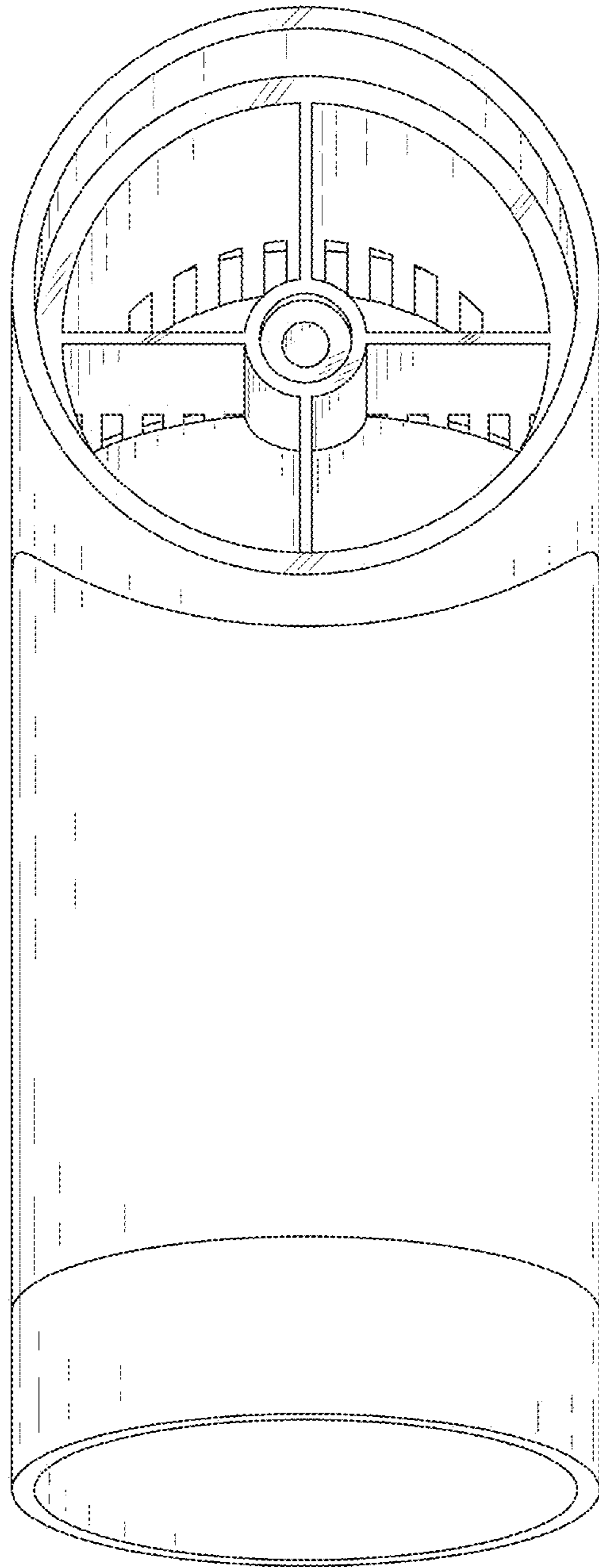


FIG. 2

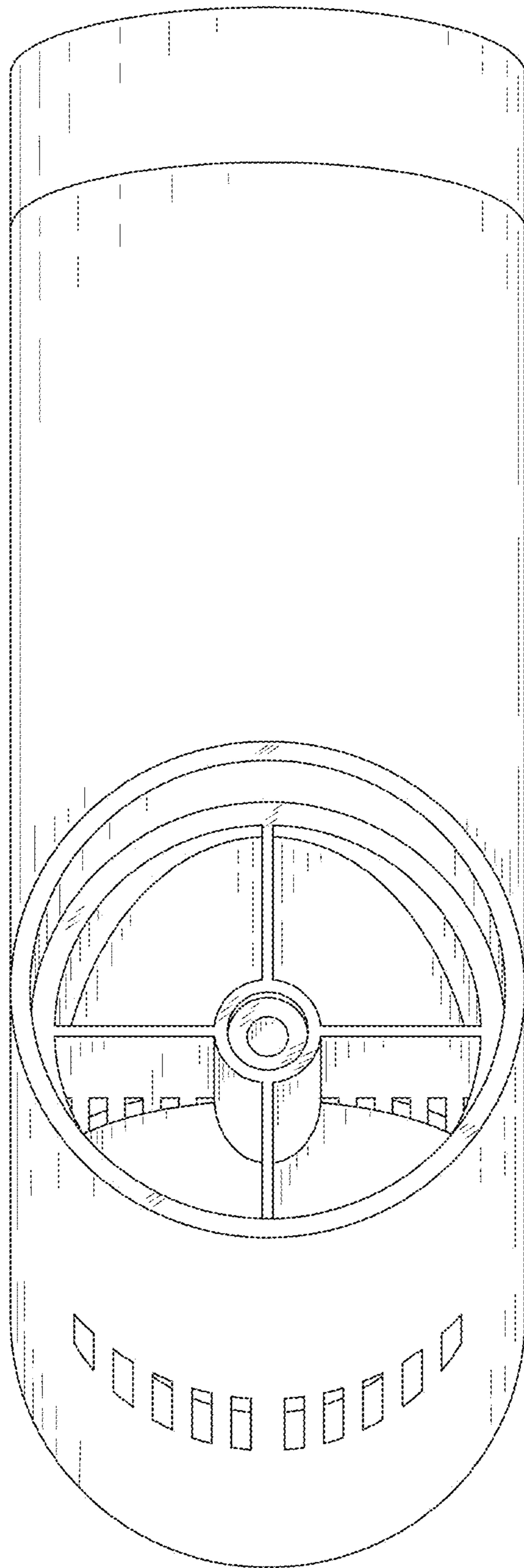


FIG. 3

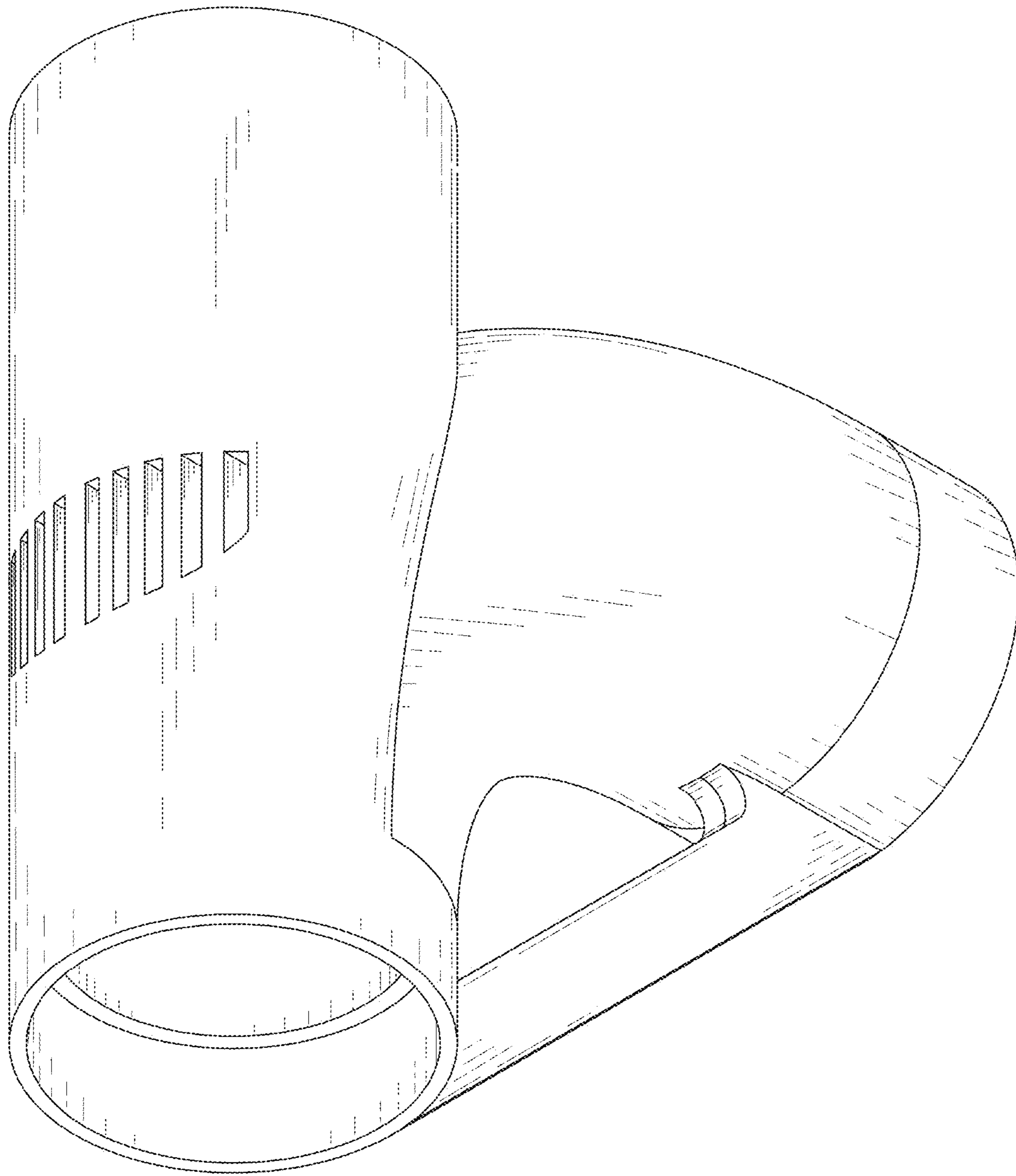


FIG. 4

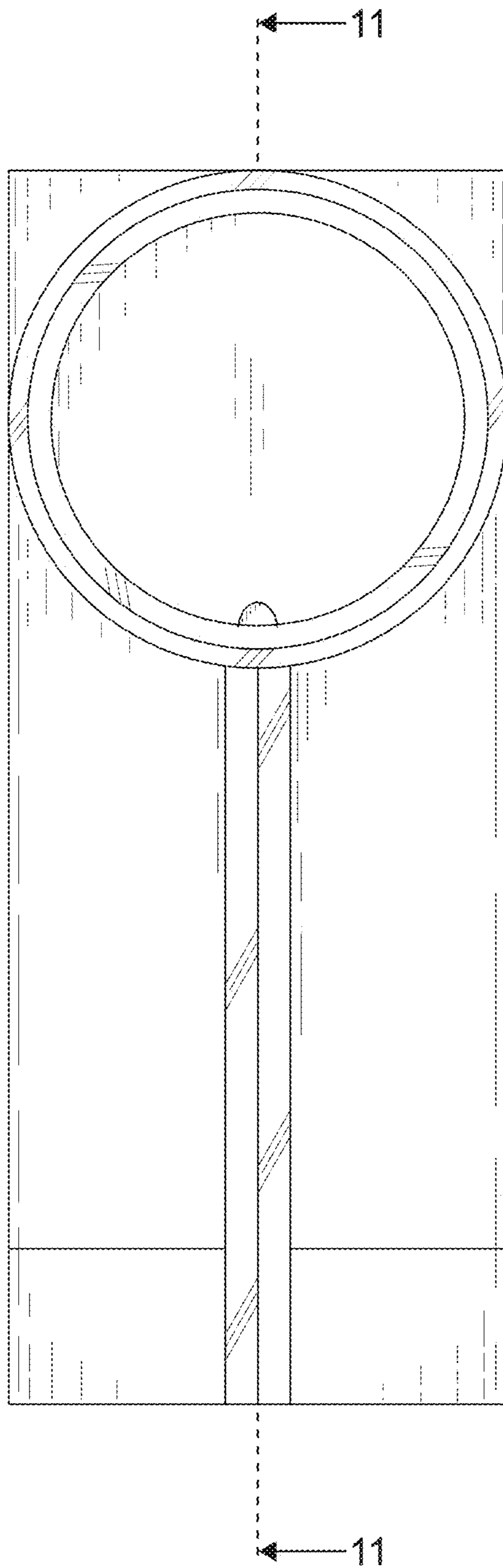


FIG. 5

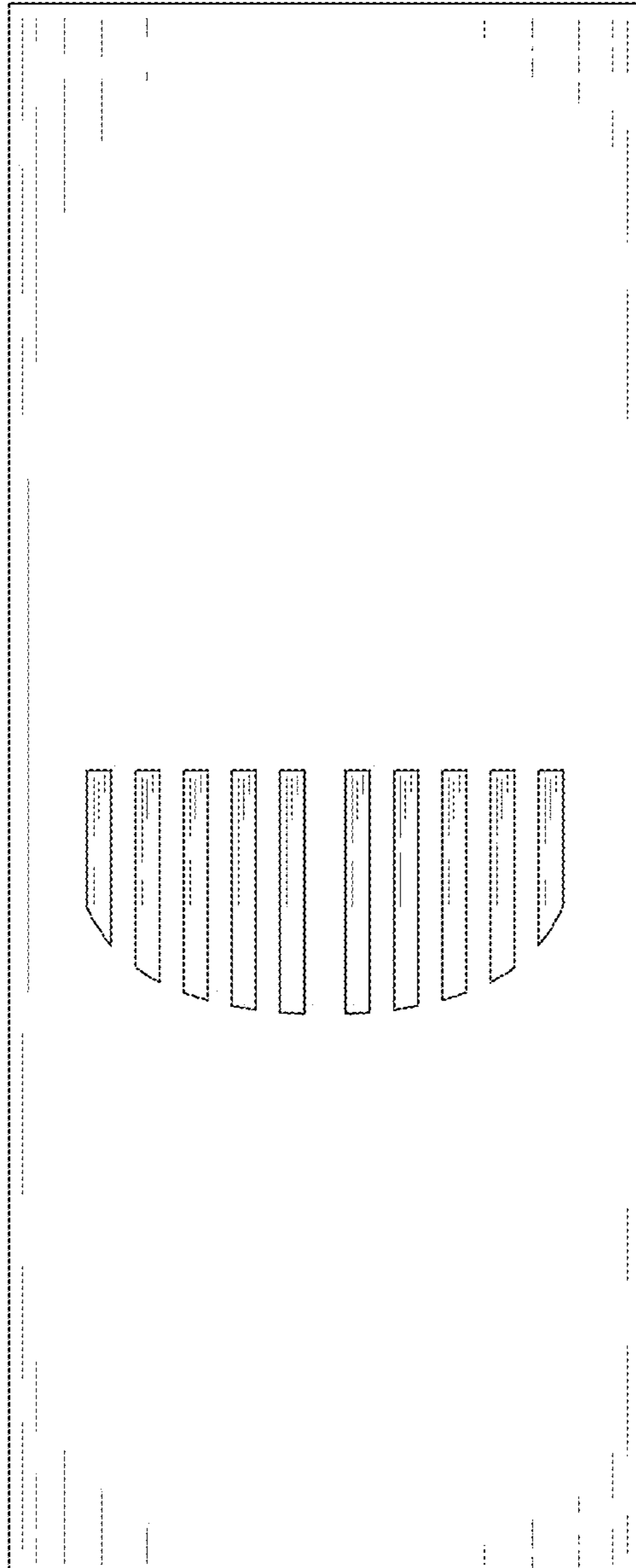


FIG. 6

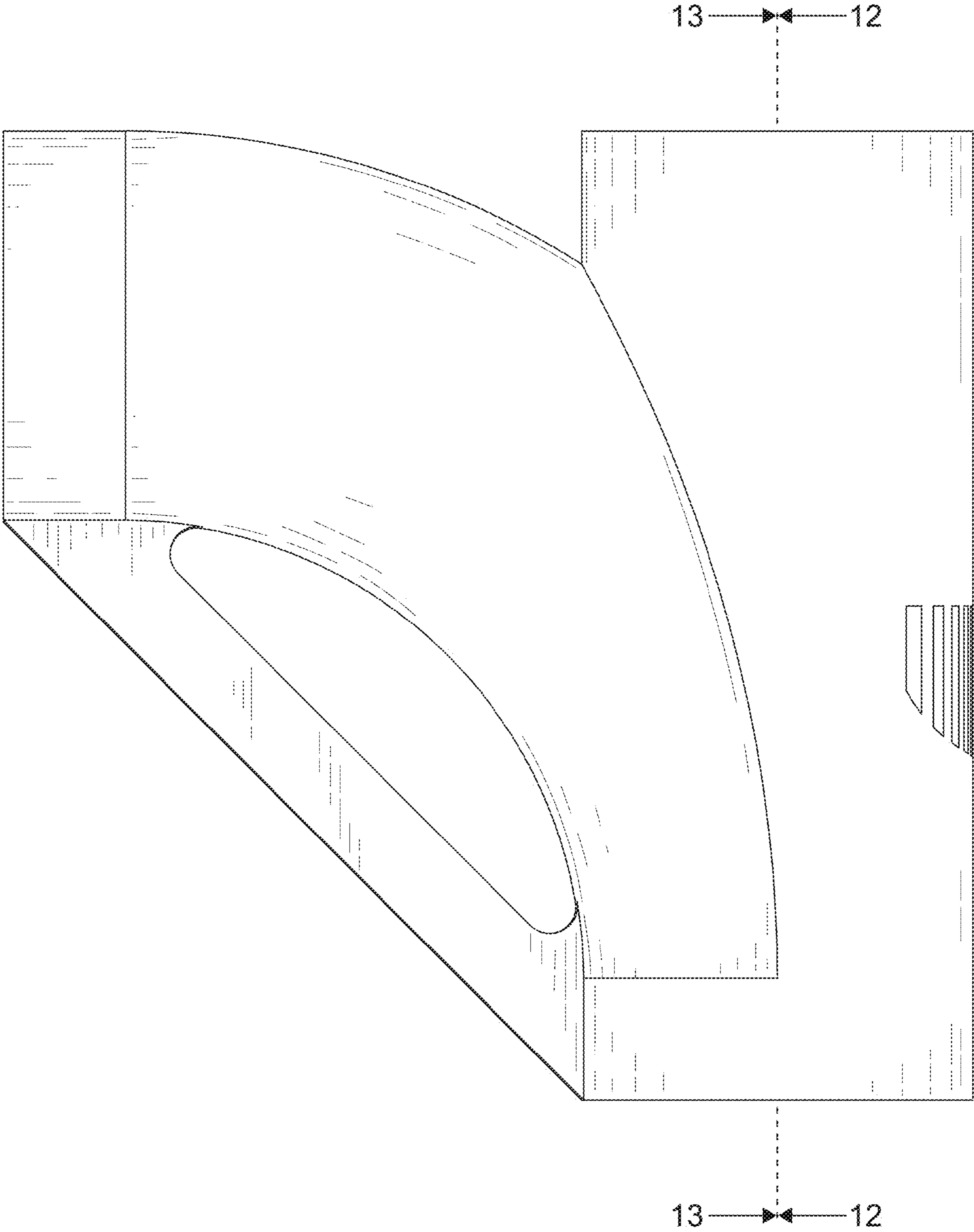


FIG. 7

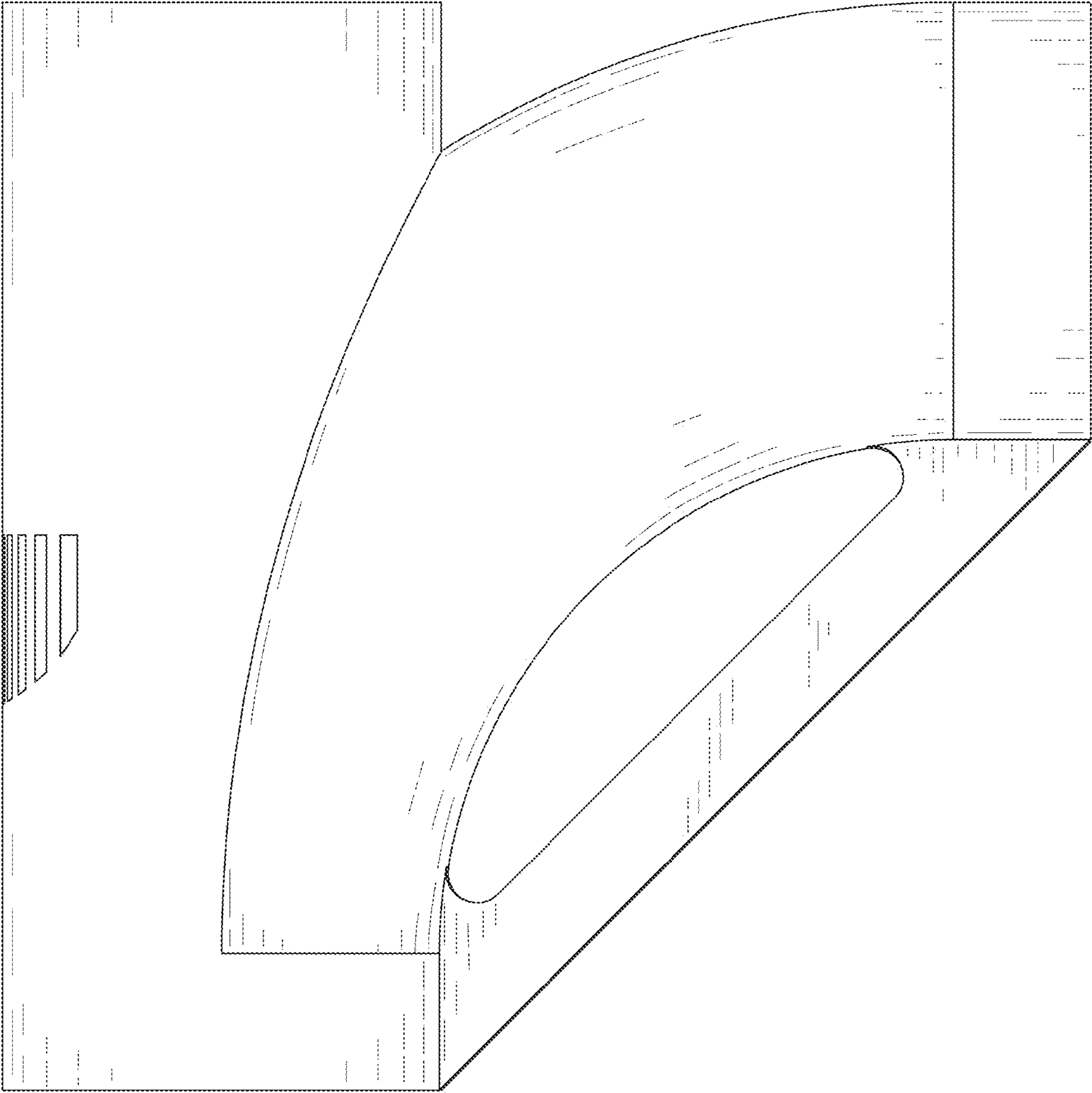


FIG. 8

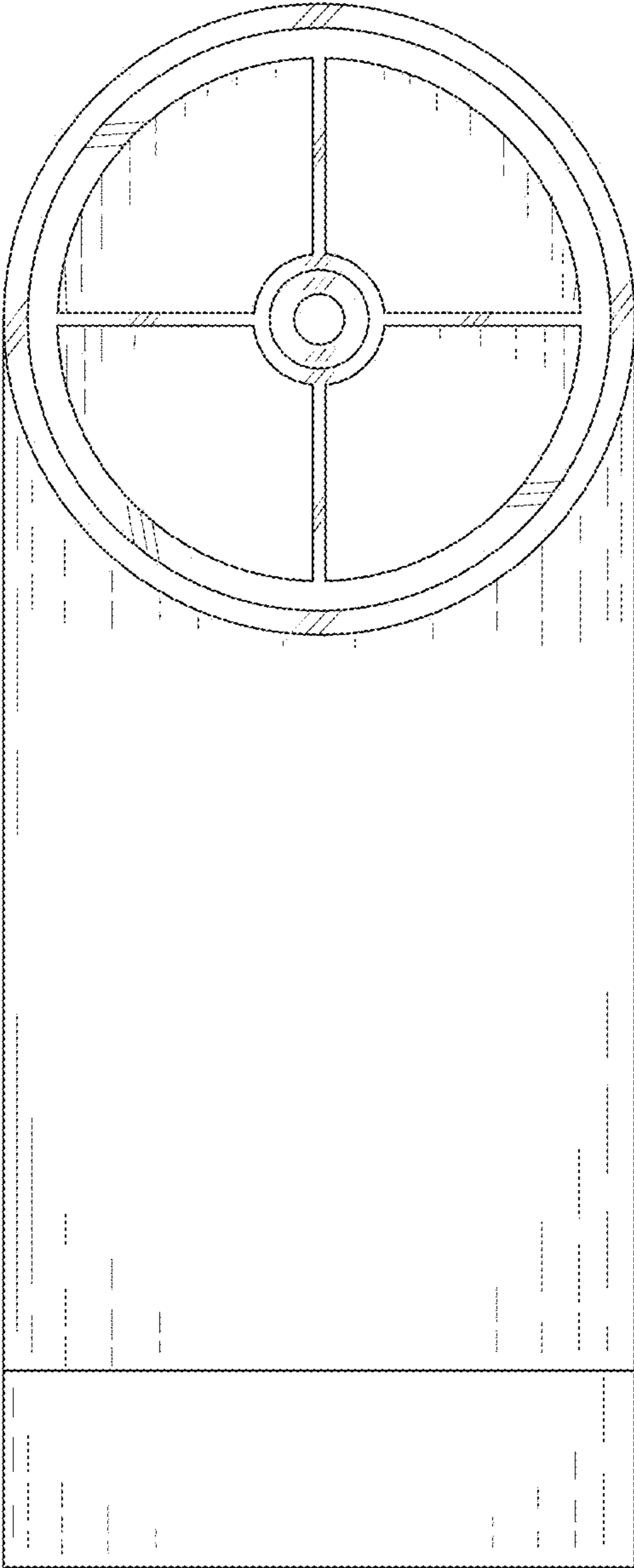


FIG. 9

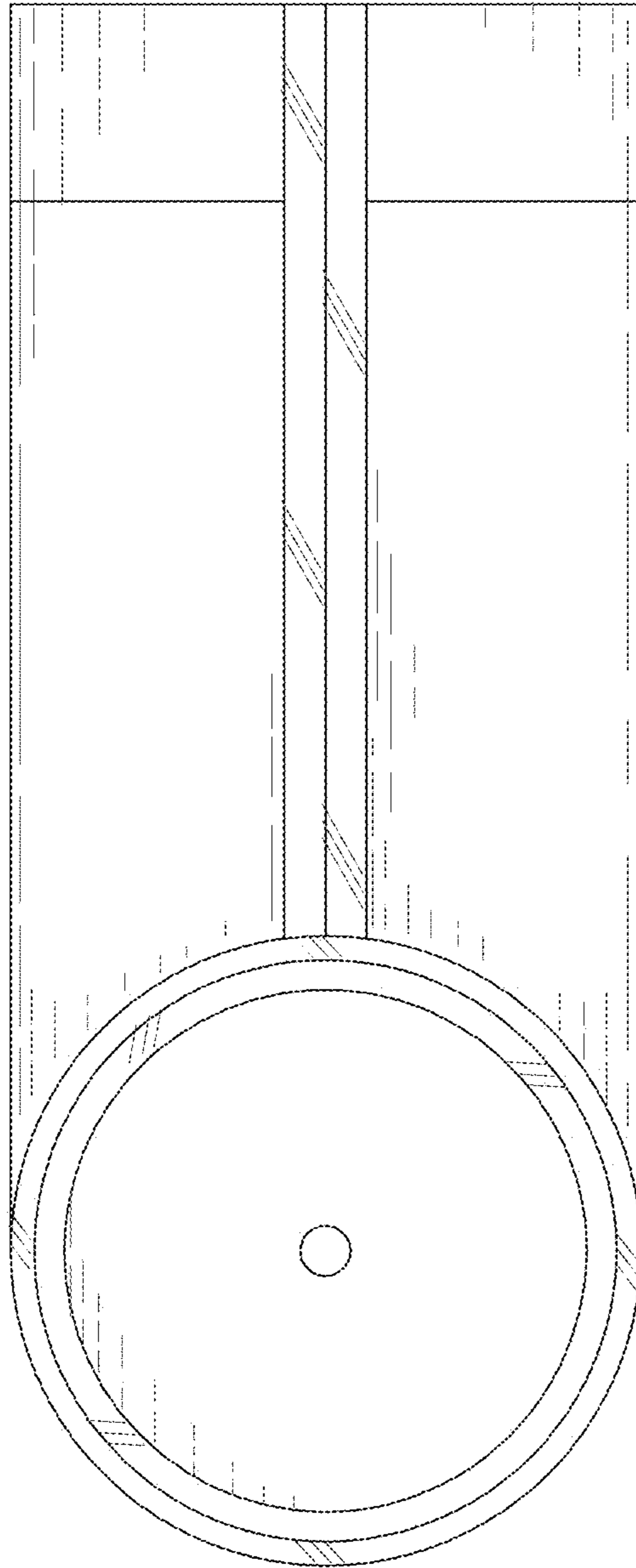


FIG. 10

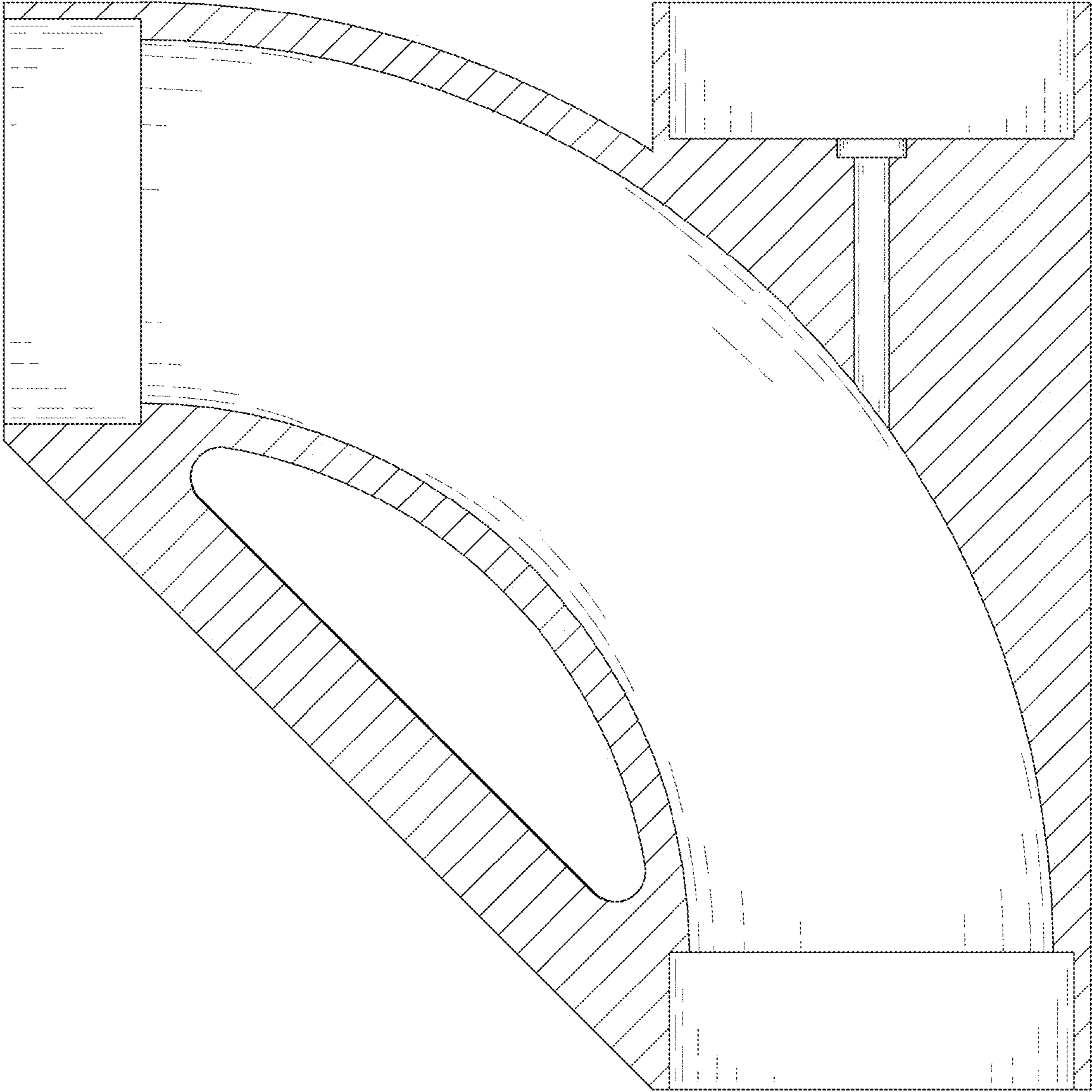


FIG. 11

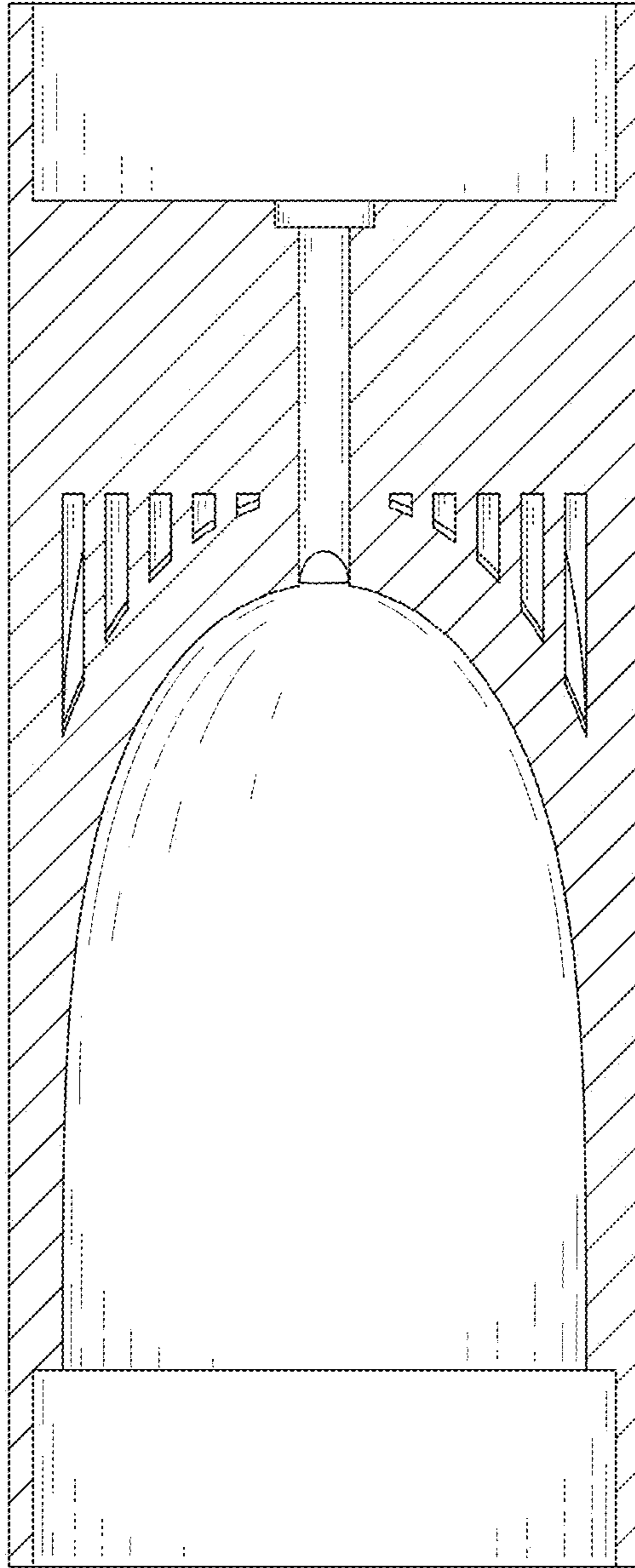


FIG. 12

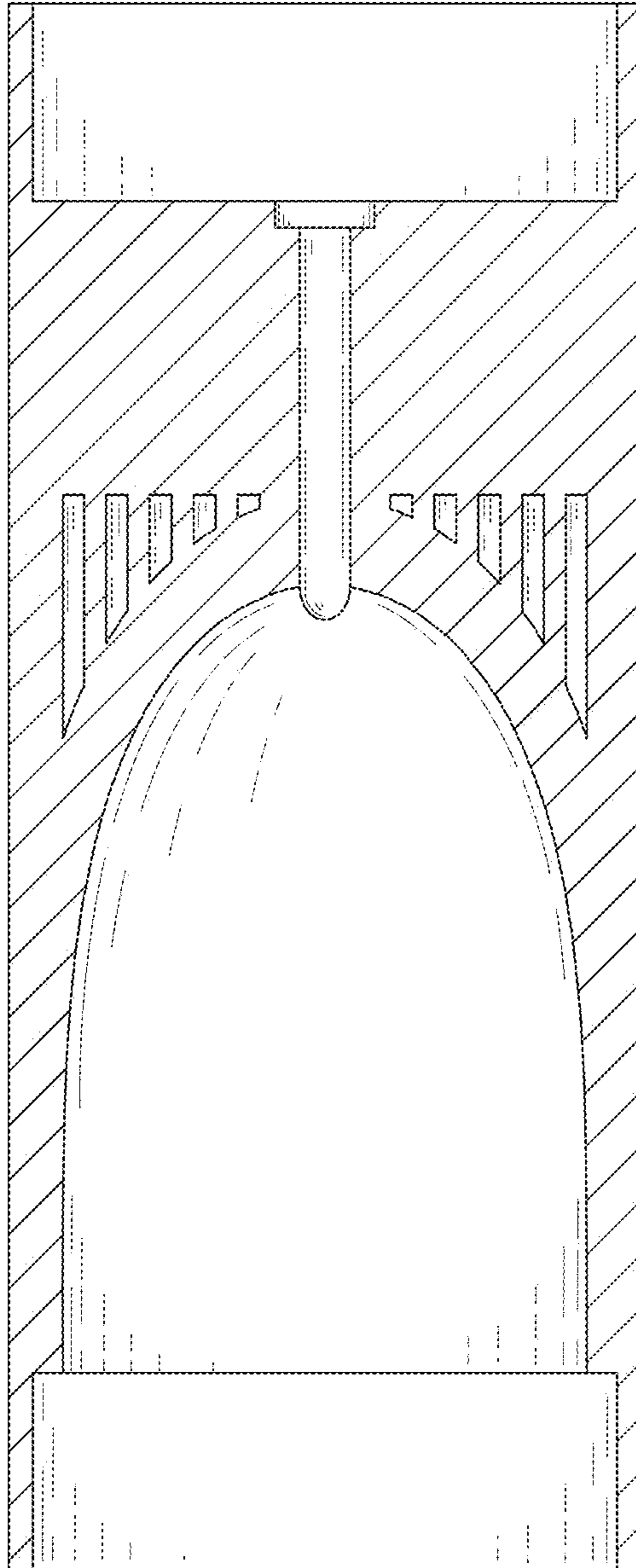


FIG. 13

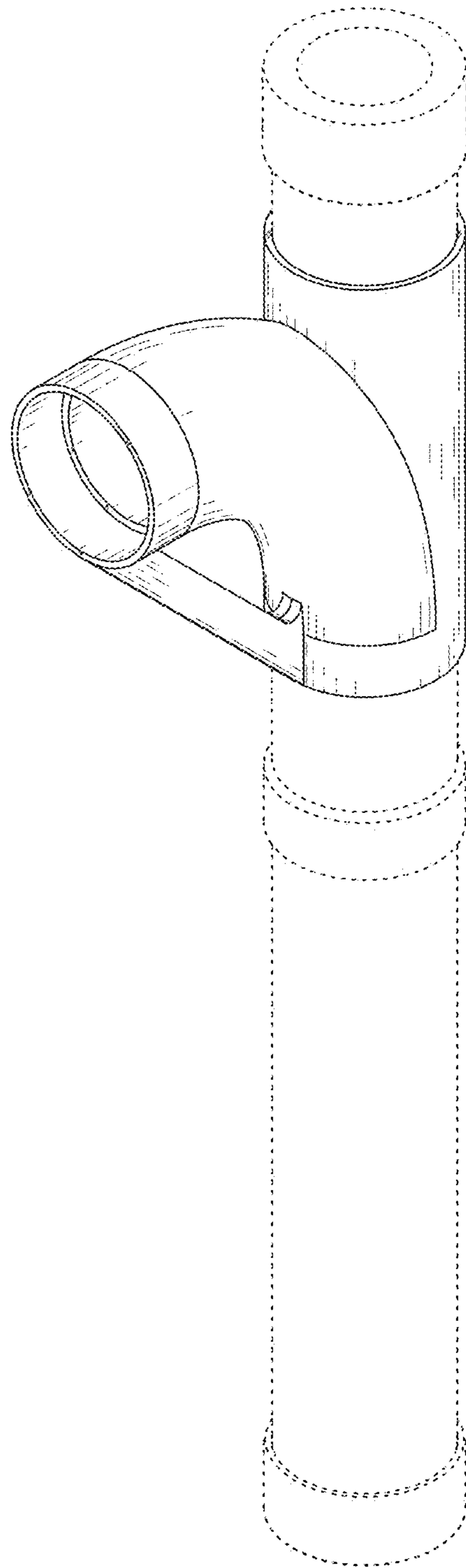


FIG. 14

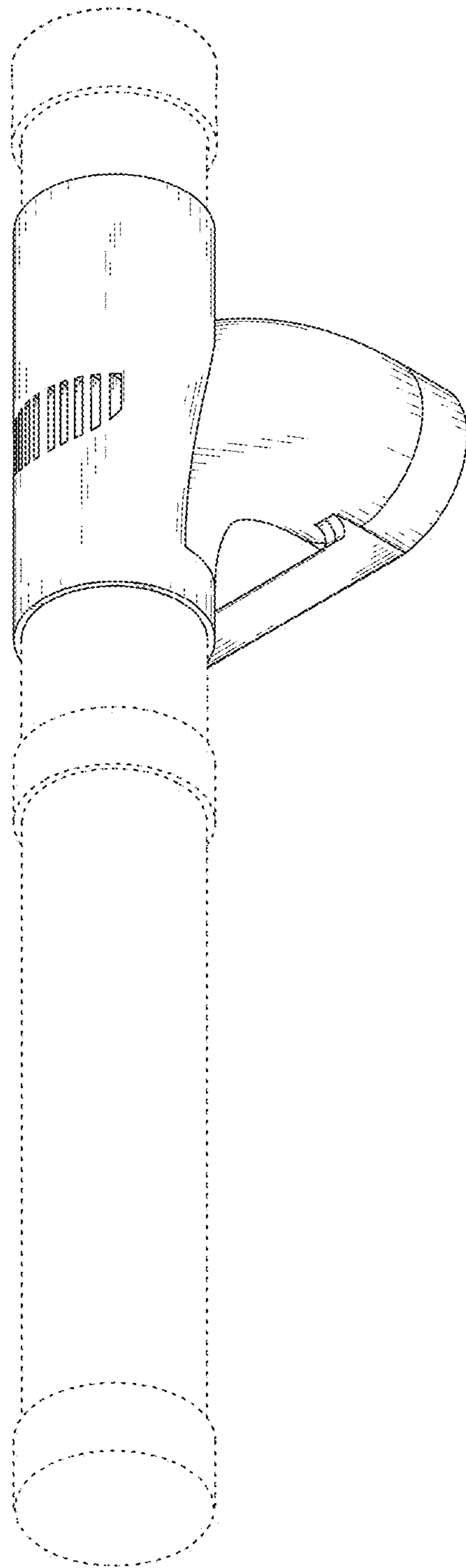


FIG. 15