



US0D1007620S

(12) **United States Design Patent** (10) **Patent No.:** **US D1,007,620 S**  
**Engler et al.** (45) **Date of Patent:** **\*\* Dec. 12, 2023**

(54) **FITNESS EQUIPMENT**  
(71) Applicant: **P&P IMPORTS LLC**, Irvine, CA (US)  
(72) Inventors: **Peter Engler**, Newport Beach, CA (US); **Peter Tanoury**, Newport Beach, CA (US); **Willis Santamaria**, Diamond Bar, CA (US)  
(\*\*) Term: **15 Years**

(21) Appl. No.: **29/802,369**  
(22) Filed: **Aug. 4, 2021**  
(51) **LOC (14) Cl.** ..... **21-02**  
(52) **U.S. Cl.**  
USPC ..... **D21/686**  
(58) **Field of Classification Search**  
USPC ..... D21/662, 690, 694, 686, 685, 672, 688, D21/668, 673, 682, 677, 665, 796, 791; D24/192, 212-214, 227; D6/332, 349  
CPC ..... A63B 26/003; A63B 22/16; A63B 22/18; A63B 21/0442; A63B 21/0004; A63B 2208/0204; A63B 23/0458  
See application file for complete search history.

(56) **References Cited**

**U.S. PATENT DOCUMENTS**

D255,372 S *	6/1980	Tidmore	482/146
D350,380 S *	9/1994	Rothhammer	D21/803
D353,419 S *	12/1994	Sprague	D21/692
D369,636 S *	5/1996	Reeder	D21/803
6,019,712 A *	2/2000	Duncan	A63B 21/0004 482/110
D446,569 S *	8/2001	Chiang	D21/803
D453,367 S *	2/2002	Katz	D21/769
D507,026 S *	7/2005	Chen	D21/688
D564,604 S *	3/2008	Mikail	D21/688
D590,470 S *	4/2009	Mun	D21/769
D612,896 S *	3/2010	Talley	D21/686
D723,125 S *	2/2015	Purdy	D21/803
D749,178 S *	2/2016	Nicholas	D21/686

D776,212 S *	1/2017	Nicholas	D21/686
D777,866 S *	1/2017	Mckee	D21/807
D785,106 S *	4/2017	Panes	D21/688
D843,515 S *	3/2019	Agostini	D21/688
D848,623 S *	5/2019	Franché	D24/188

**FOREIGN PATENT DOCUMENTS**

EM 001246227-0001 \* 12/2010

**OTHER PUBLICATIONS**

Stealth Core Trainer. Online, published date Dec. 1, 2017. Retrieved on Jan. 3, 2023 from URL: <https://www.amazon.com/Stealth-Core-Gamer-Trainer-Personal/dp/B077VVHVXF/>.  
Stealth Abs + Plank Core Trainer. Online, published date Oct. 15, 2018. Retrieved on Jan. 3, 2023 from URL: <https://www.amazon.com/Stealth-Plankster-Core-Trainer-Interactive/dp/B07JG5R256/>.

\* cited by examiner

*Primary Examiner* — Omeed Agilee  
*Assistant Examiner* — David Truong

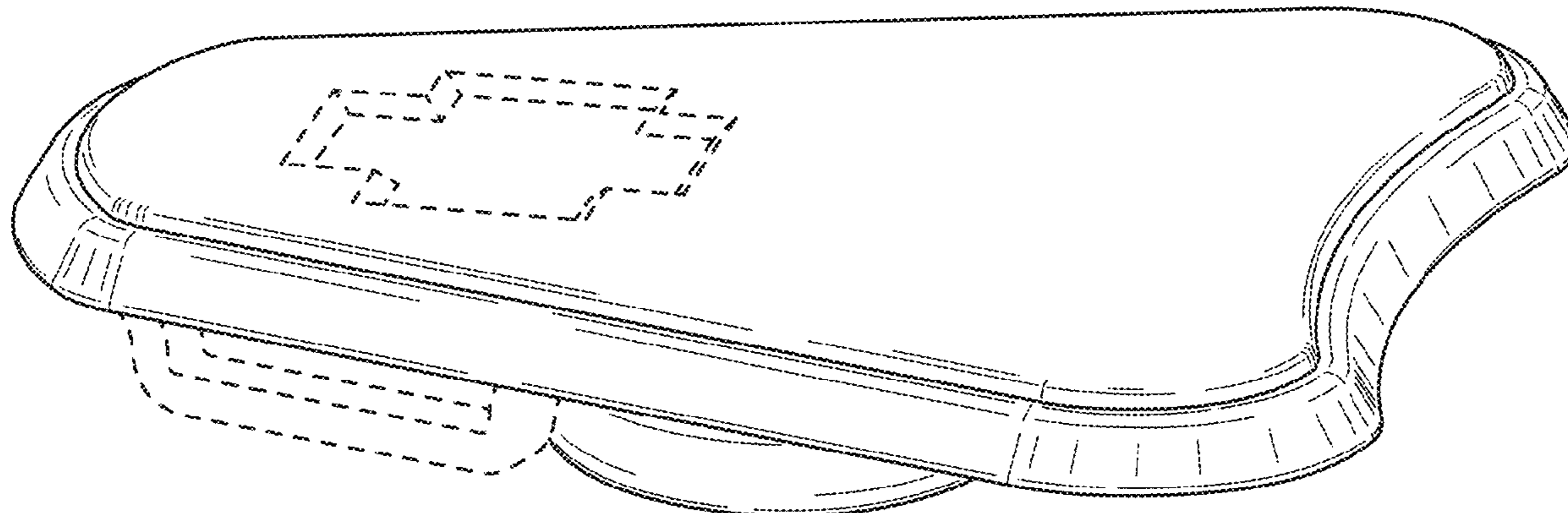
(57) **CLAIM**

The ornamental design for a fitness equipment, as shown and described.

**DESCRIPTION**

FIG. 1 is a perspective view of a fitness equipment showing the claimed design;  
FIG. 2 is a top plan view thereof;  
FIG. 3 is a bottom plan view thereof;  
FIG. 4 is a right-side elevational view thereof, the left-side elevational view being a mirror image of the right-side elevational view;  
FIG. 5 is a front elevational view thereof; and,  
FIG. 6 is a back elevational view thereof.  
Broken lines in the figures show portions of the fitness equipment that form no part of the claimed design.

**1 Claim, 6 Drawing Sheets**



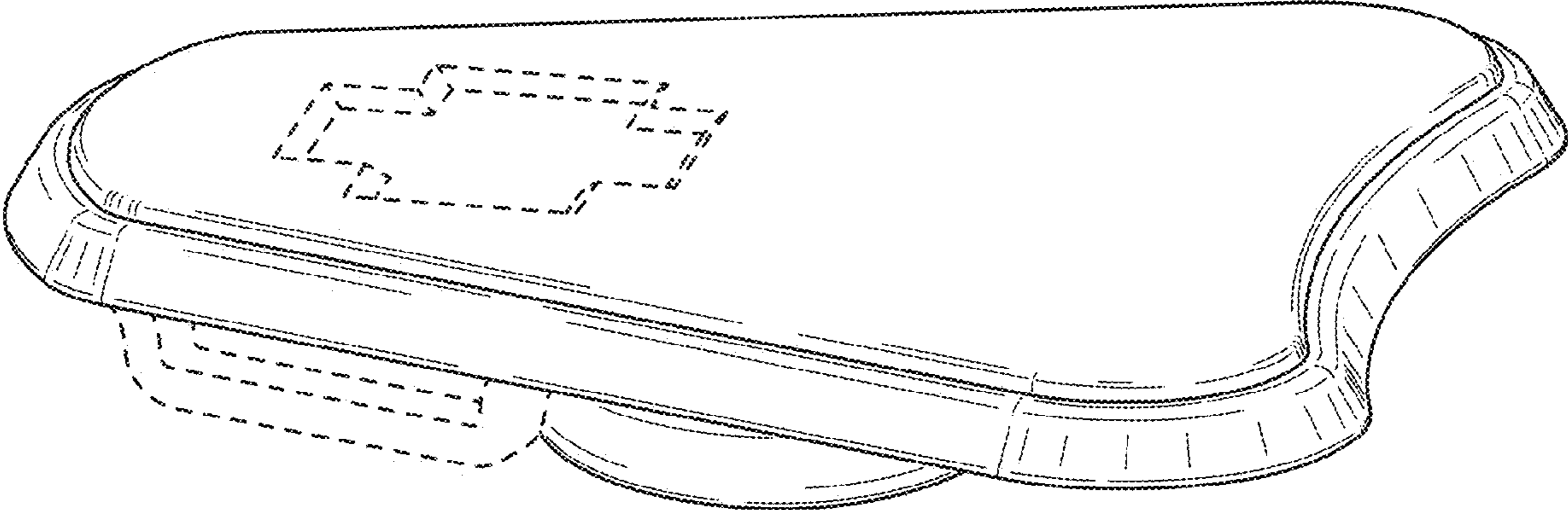


FIG. 1

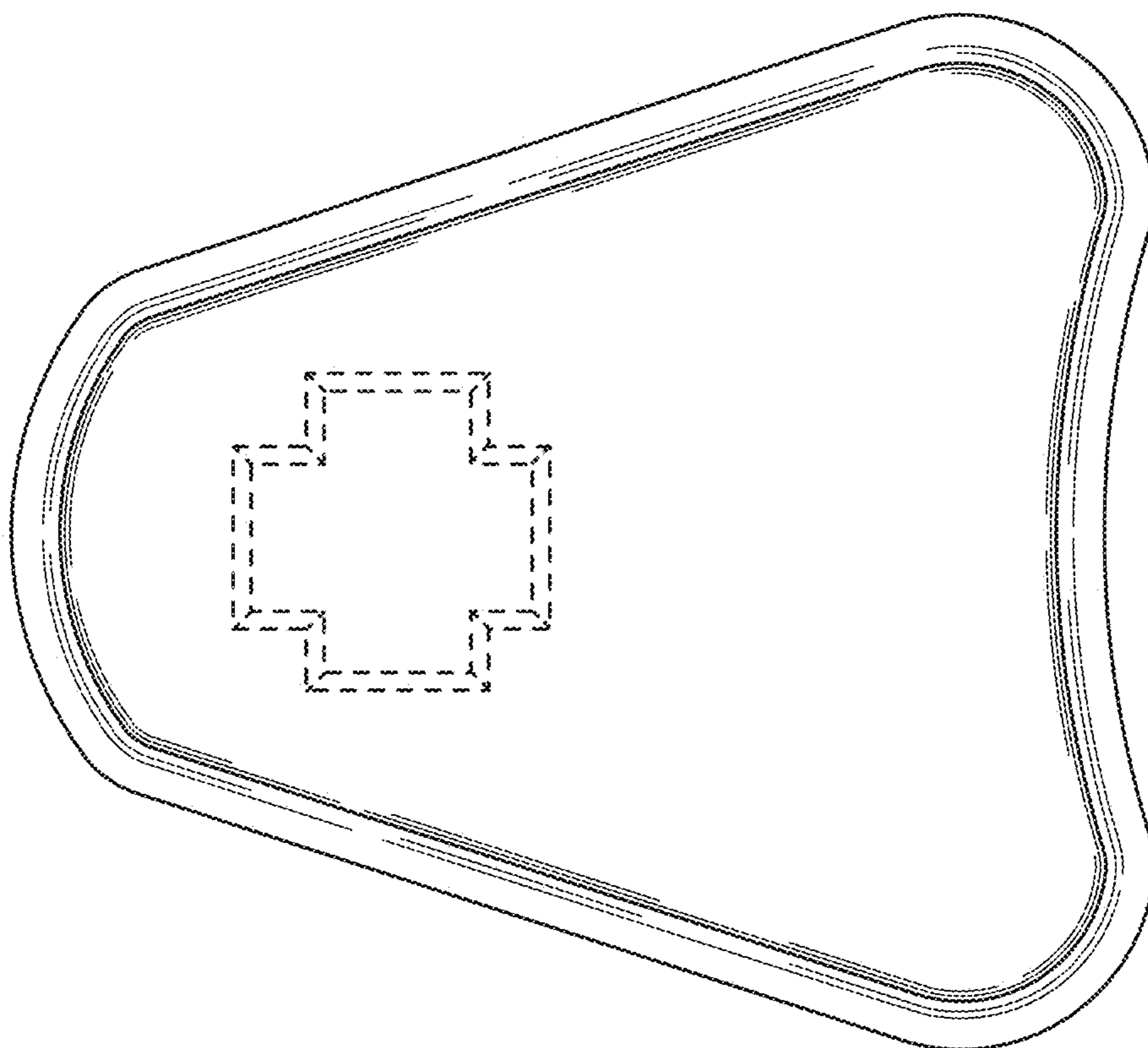


FIG. 2

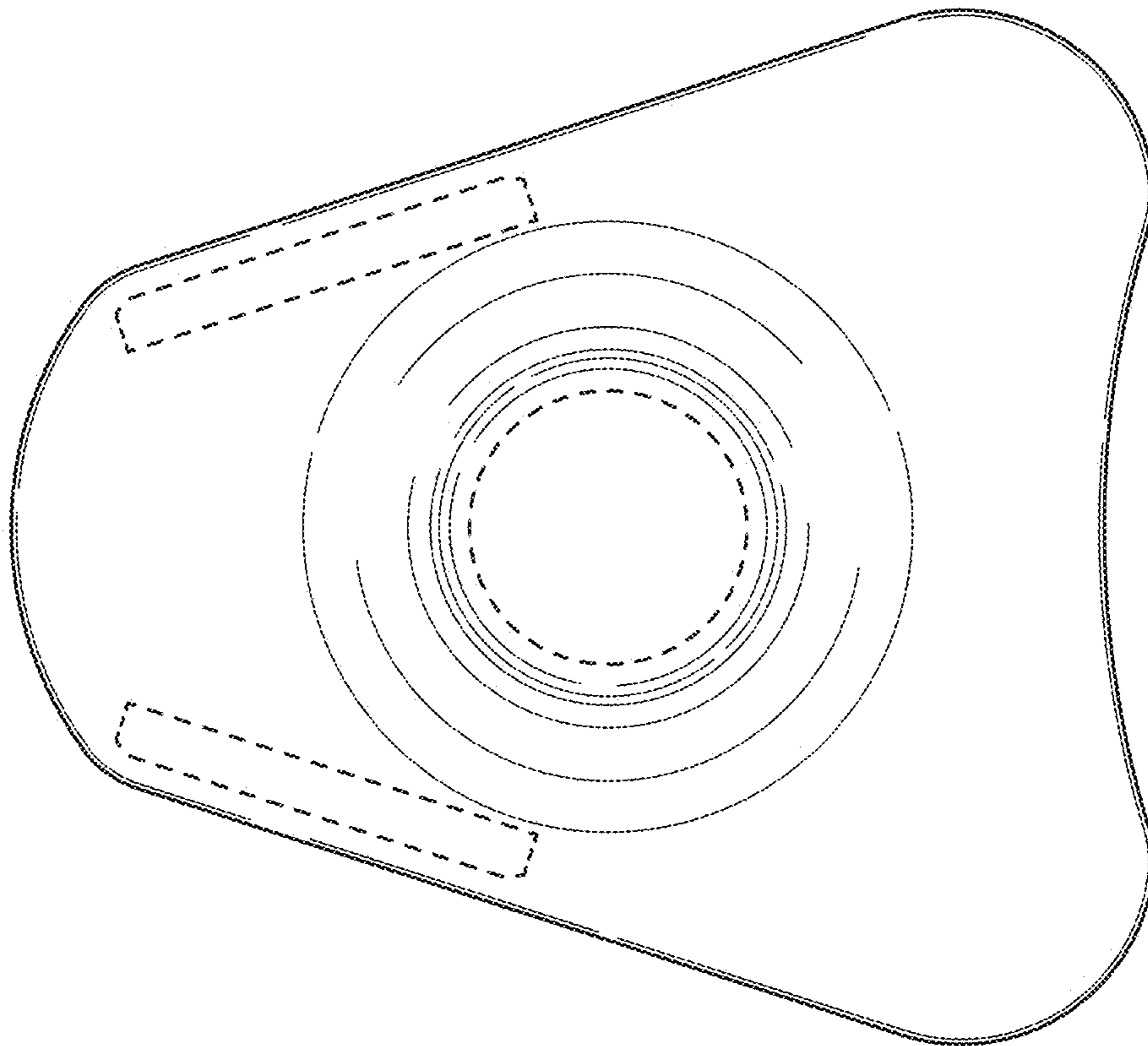


FIG. 3

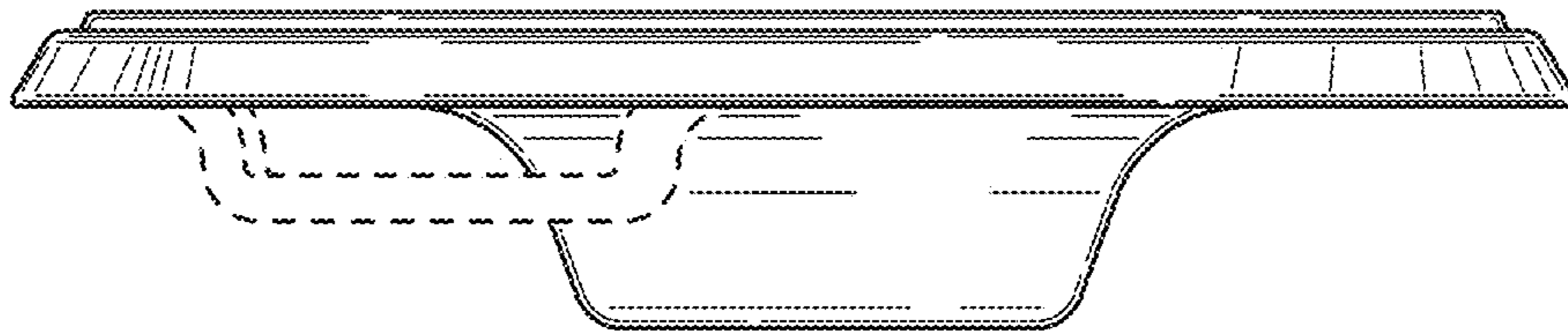


FIG. 4

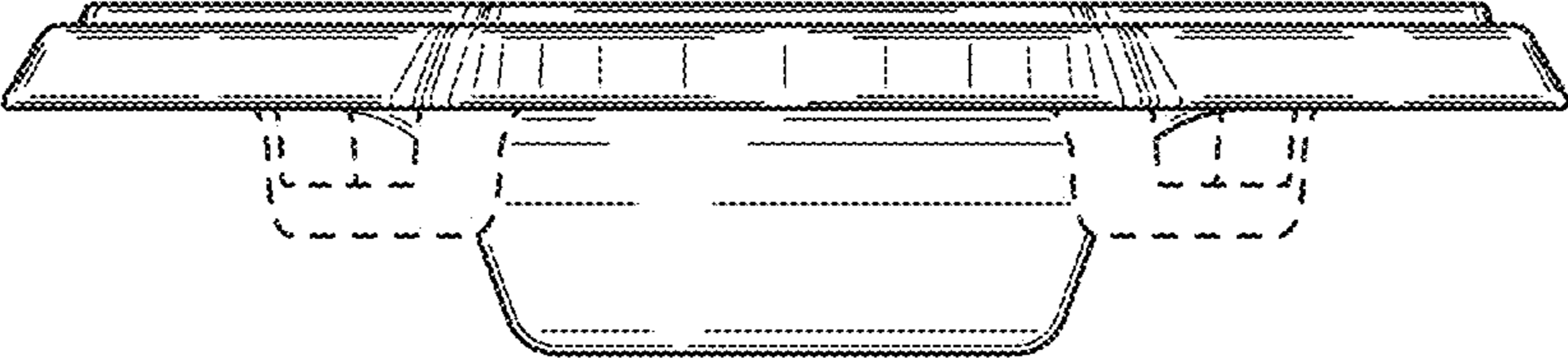


FIG. 5



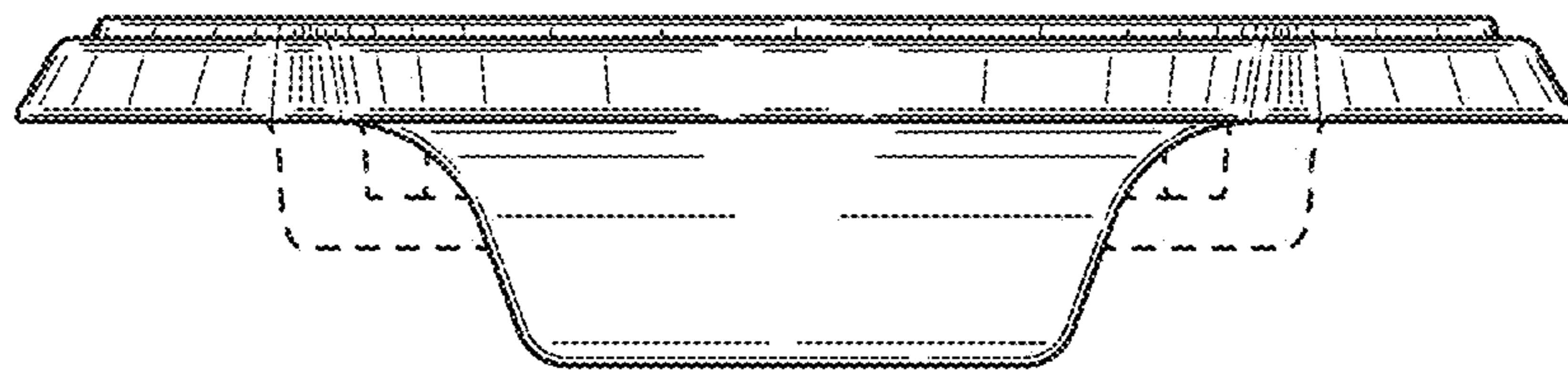


FIG. 6