



US0D1007146S

(12) **United States Design Patent** (10) **Patent No.:** **US D1,007,146 S**
Lin (45) **Date of Patent:** **** Dec. 12, 2023**

(54) **COMBINED WALLET AND CARD HOLDER**
(71) Applicant: **Guangzhou Taiwen Trading Co., Ltd.,**
Guangzhou (CN)

2020/0337426 A1* 10/2020 Huang A45C 13/00
2022/0400823 A1* 12/2022 Clarete A45C 1/06
2023/0136219 A1* 5/2023 Zhang A45C 1/06
150/131

(72) Inventor: **Da Lin,** Guangzhou (CN)

FOREIGN PATENT DOCUMENTS

(**) Term: **15 Years**

CN 306903366 * 10/2021
CN 307721144 * 12/2022
CN 307843628 * 2/2023

(21) Appl. No.: **29/877,162**

OTHER PUBLICATIONS

(22) Filed: **Jun. 2, 2023**

(51) **LOC (14) Cl.** **03-01**

(52) **U.S. Cl.**
USPC **D3/247**

(58) **Field of Classification Search**
USPC D3/247–253
CPC A45C 11/18; A45C 11/00; A45C 11/182;
A45C 13/00; A45C 13/02; A45C 13/30;
A45C 1/06; A45C 1/04; A45C 1/024;
A45C 3/06; A45C 3/08; A45C 2001/067;
A45C 2001/065; A45C 2001/186; A45F
5/00; A45F 5/021
See application file for complete search history.

Wallet for Men Slim-Minimalist-Aluminum-Metal-Wallet with 1 Clear Window ID Badge Holder, available no later than May 22, 2023 based on customer photo review, amazon.com [online], [site visited Jul. 24, 2023], Available at URL: <https://www.amazon.com/dp/B0BYS6KTW1/> (Year: 2023).*

Geit Minimalist Wallet for Men, first available Mar. 5, 2023, amazon.com [online], [site visited Jul. 24, 2023], Available at URL: <https://www.amazon.ca/GEIT-Minimalist-Aluminum-Magnetic-Blocking/dp/B0BVVJKYYC?th=1> (Year: 2023).*

* cited by examiner

Primary Examiner — Michelle E. Wilson

Assistant Examiner — Caitlin A Laverty

(56) **References Cited**

U.S. PATENT DOCUMENTS

D649,149 S * 11/2011 Peng D14/315
D798,591 S * 10/2017 King D3/247
D877,513 S * 3/2020 Duncan D11/78.1
D884,339 S * 5/2020 Li D20/27
D934,560 S * 11/2021 Tran D3/247
D956,415 S * 7/2022 Tran D3/247
D966,702 S 10/2022 Grafilo
11,457,704 B2* 10/2022 Hoffman A45C 1/06
D977,831 S * 2/2023 Zeng D3/247
D991,676 S * 7/2023 Feng D3/247
2008/0272191 A1* 11/2008 Yen G06K 19/07741
235/380
2019/0008253 A1* 1/2019 Deng A45C 11/182
2019/0269213 A1* 9/2019 Deng A45C 11/182

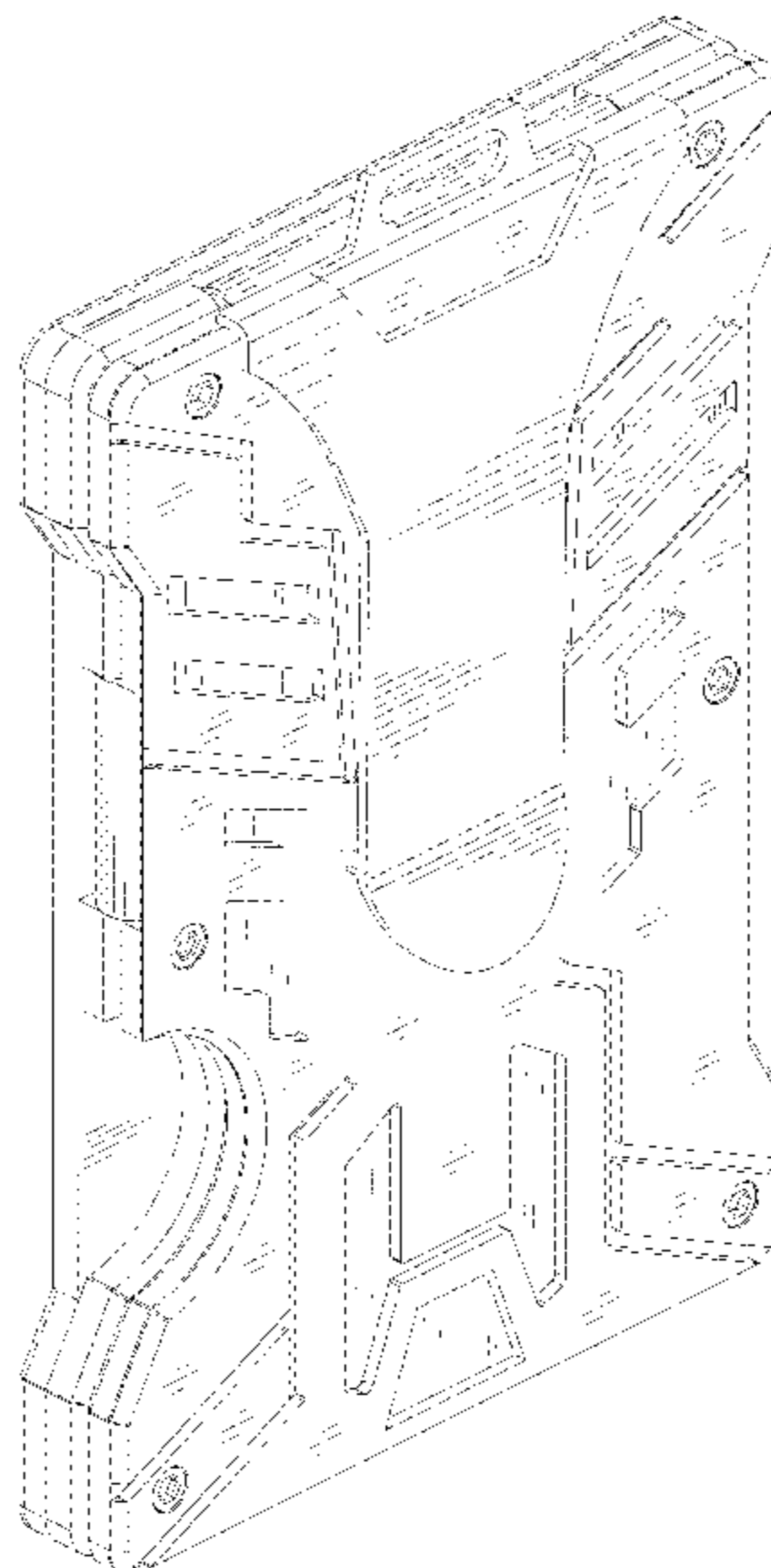
(57) **CLAIM**

The ornamental design for a combined wallet and card holder, as shown and described.

DESCRIPTION

FIG. 1 is a front, top perspective view of a combined wallet and card holder, showing my new design;
FIG. 2 is a rear, bottom perspective view thereof;
FIG. 3 is a front elevation view thereof;
FIG. 4 is a rear elevation view thereof;
FIG. 5 is a left side elevation view thereof;
FIG. 6 is a right side elevation view thereof;
FIG. 7 is a top plan view thereof; and,
FIG. 8 is a bottom plan view thereof.

1 Claim, 8 Drawing Sheets



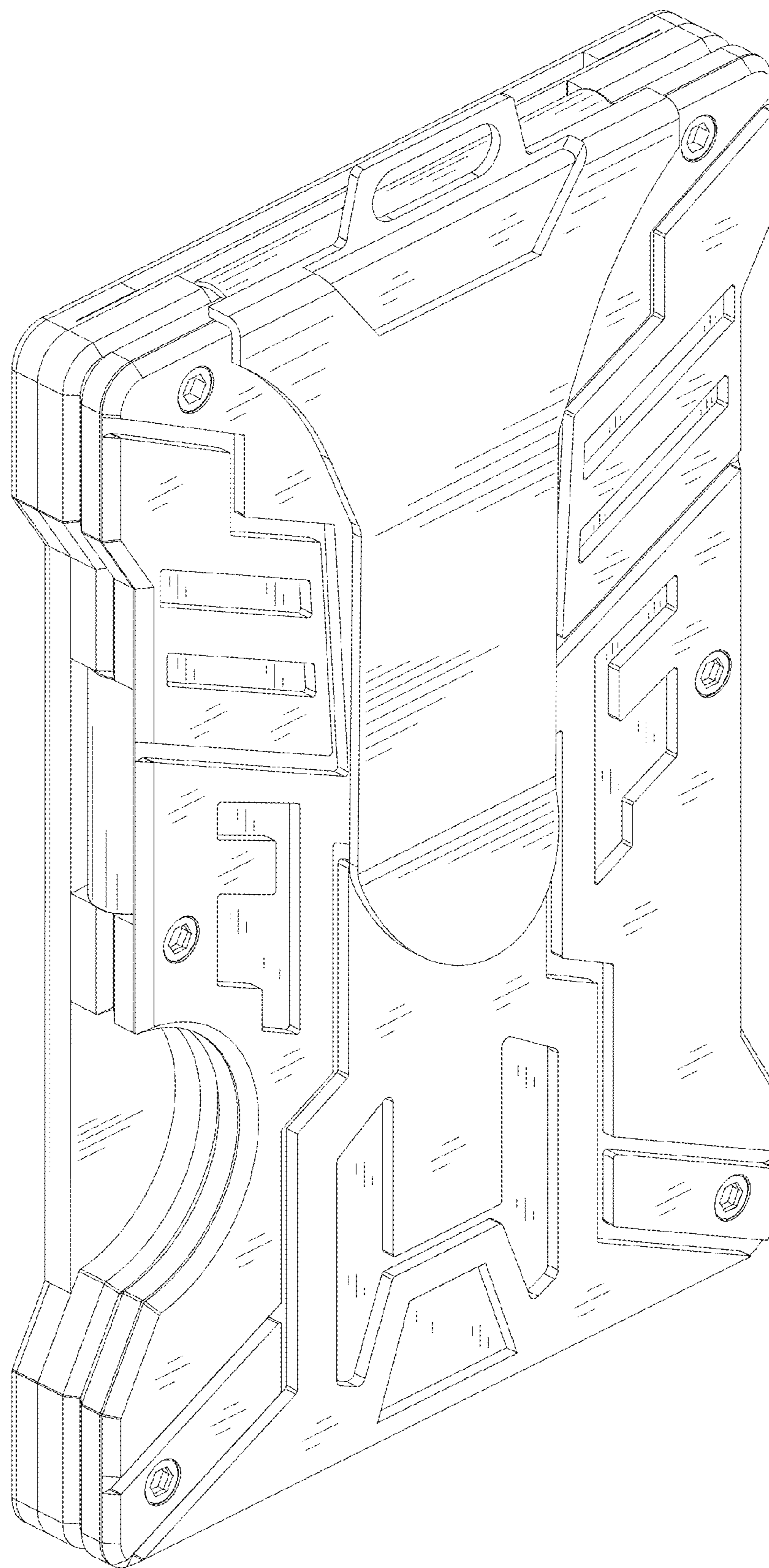


Fig. 1

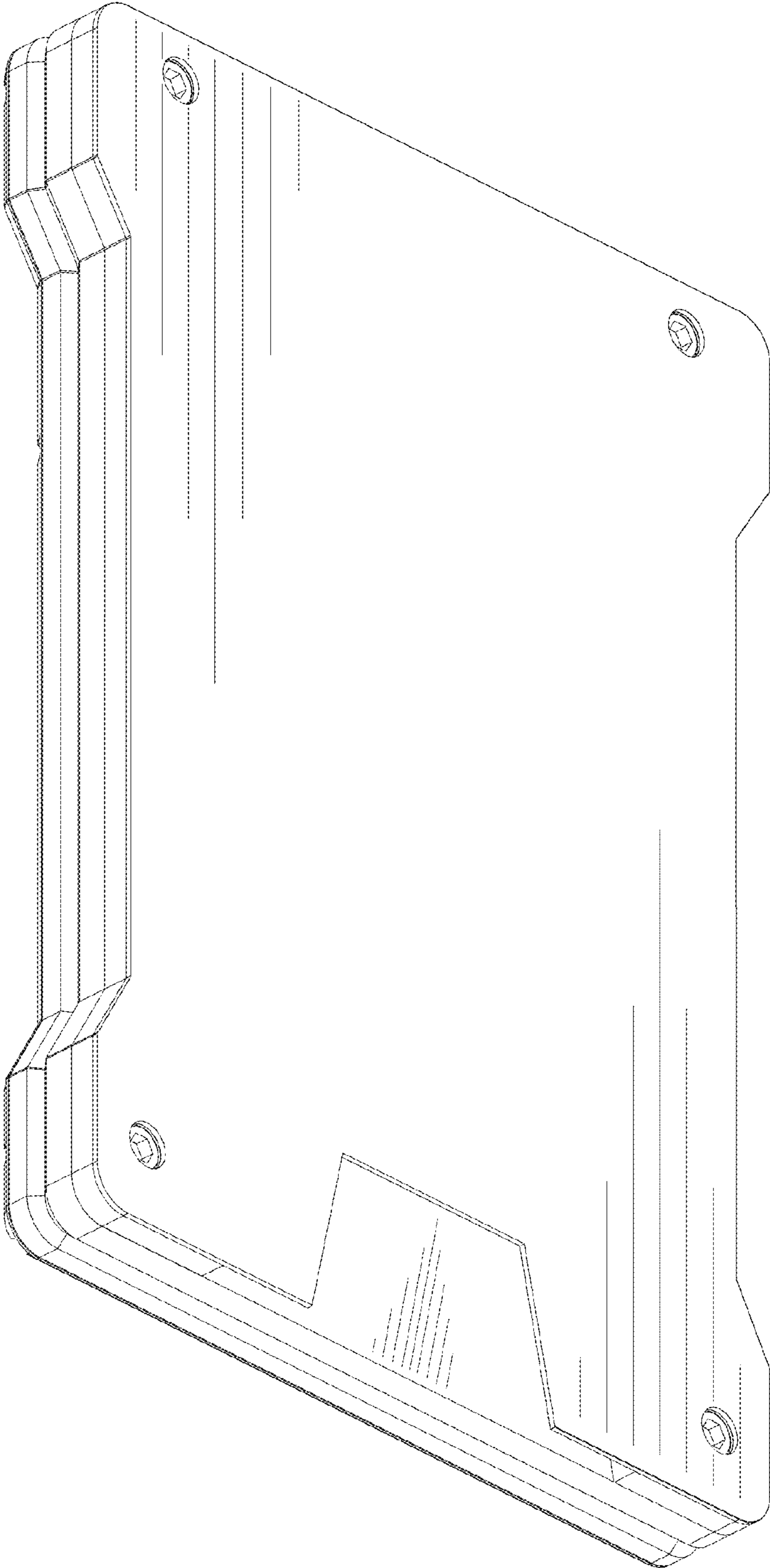


Fig. 2

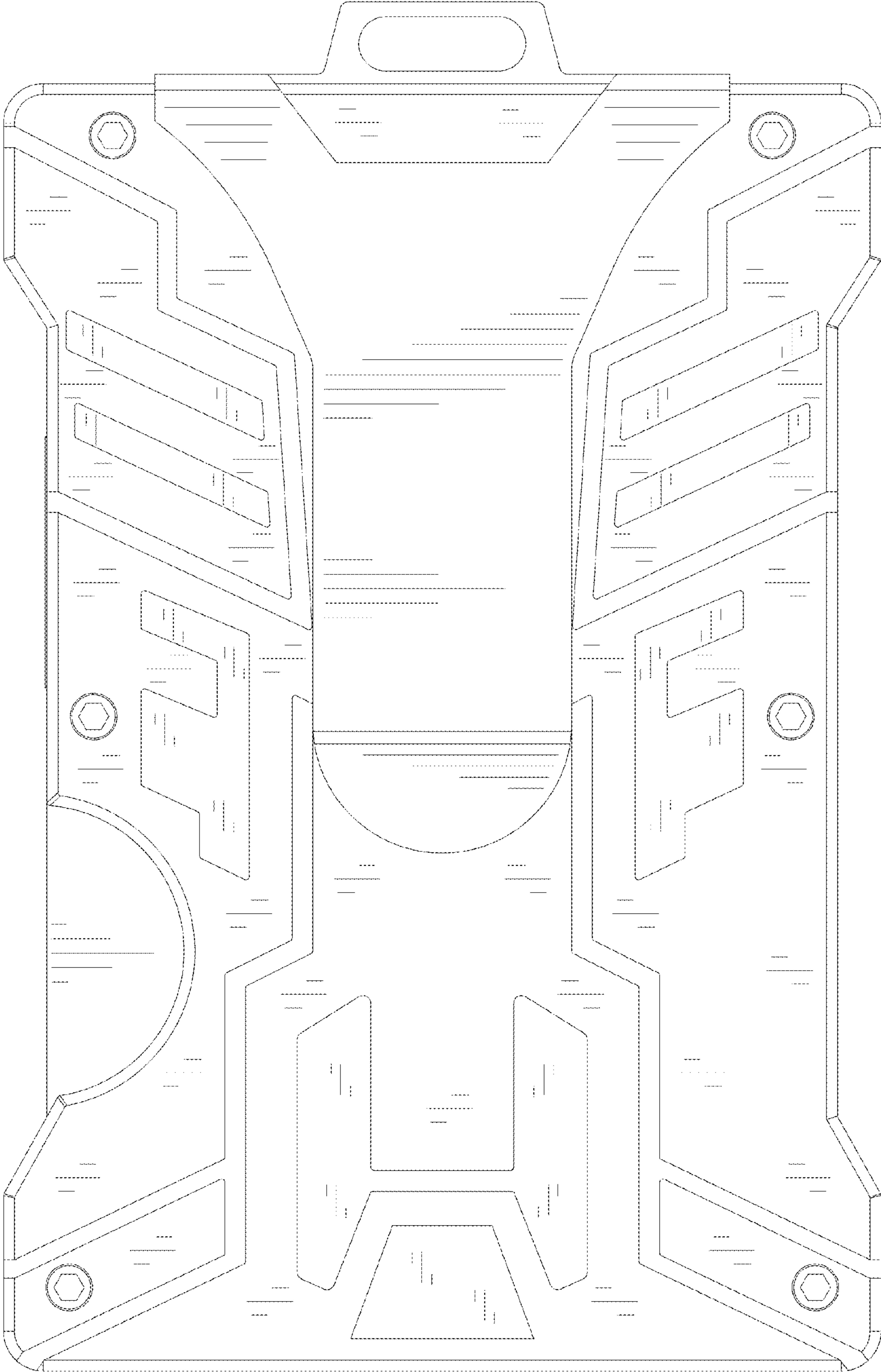


Fig. 3

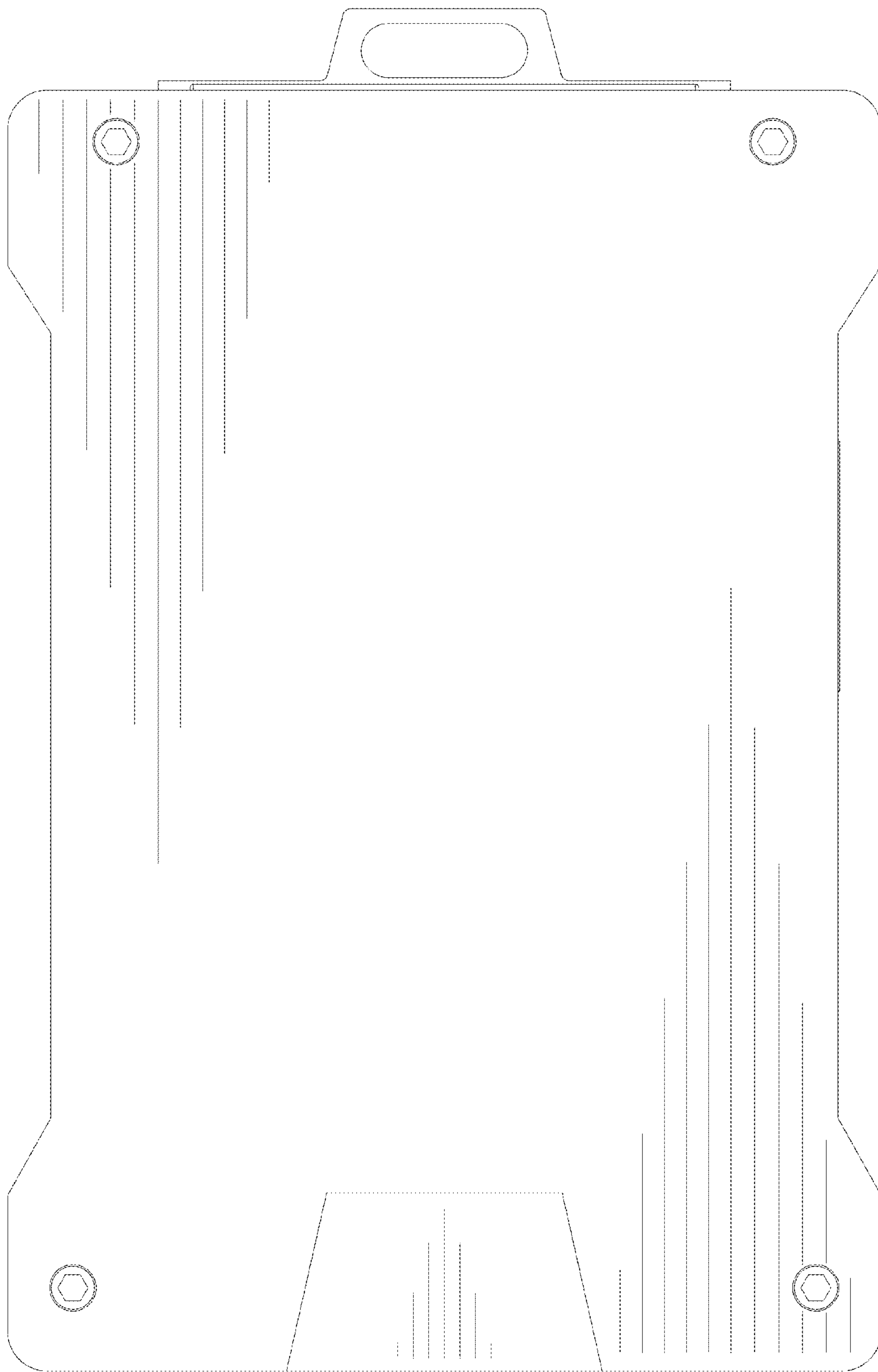


Fig. 4

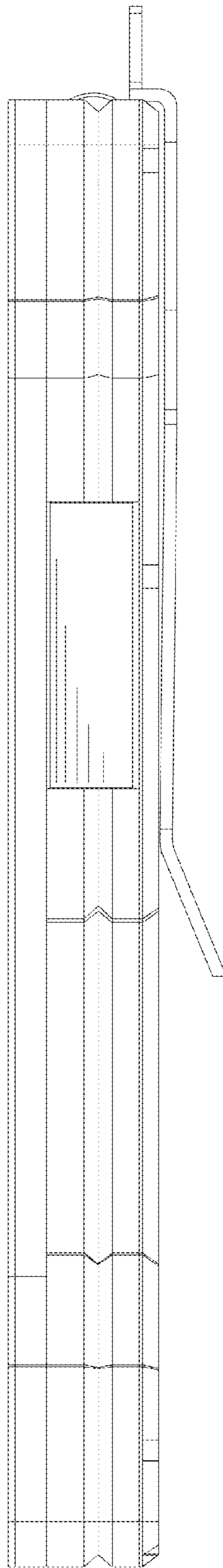


Fig. 5

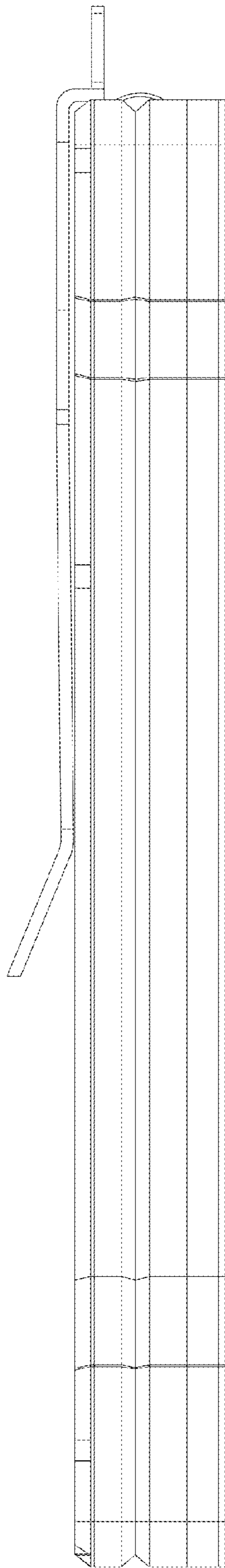


Fig. 6

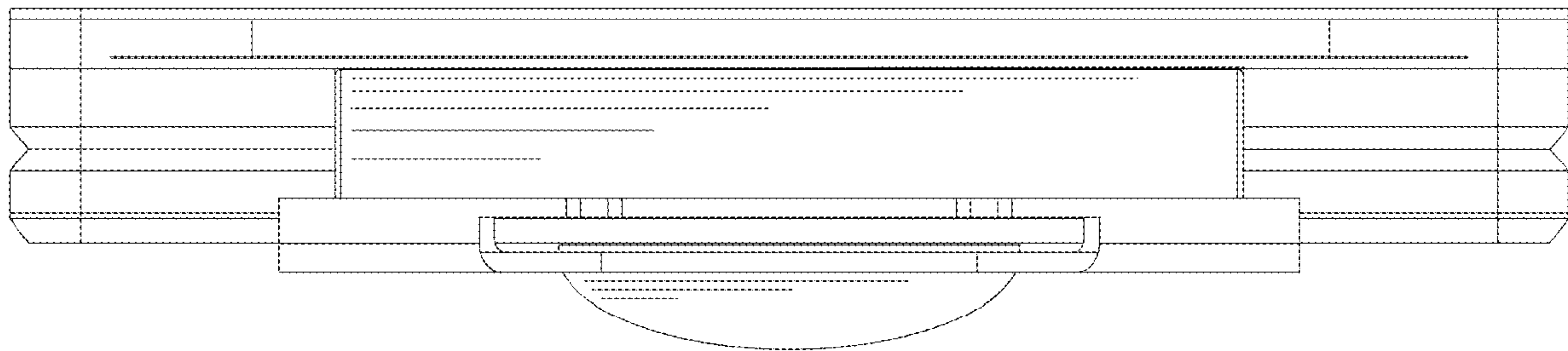


Fig. 7

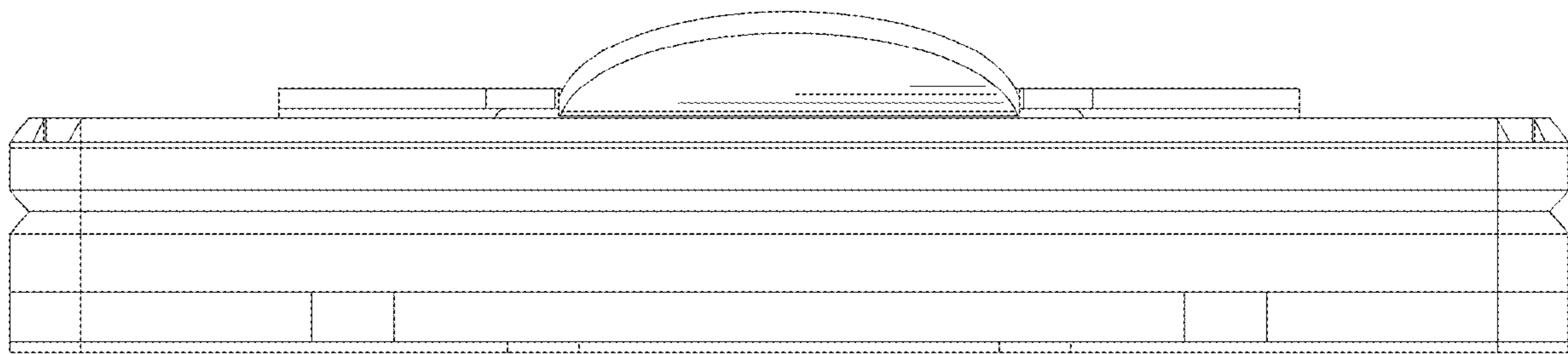


Fig. 8