

US0D1007060S

(12) **United States Design Patent** (10) **Patent No.:** **US D1,007,060 S**  
**Wei** (45) **Date of Patent:** **\*\* Dec. 5, 2023**

(54) **BLOW DRYER HOLDER**  
(71) Applicant: **Wenyi Wei**, Guangzhou (CN)  
(72) Inventor: **Wenyi Wei**, Guangzhou (CN)  
(\*\*) Term: **15 Years**  
(21) Appl. No.: **29/895,415**

(22) Filed: **Jun. 21, 2023**  
(51) **LOC (14) Cl.** ..... **28-03**  
(52) **U.S. Cl.**  
USPC ..... **D28/73**  
(58) **Field of Classification Search**  
USPC ..... D3/201, 205, 208, 209, 273, 274, 275,  
D3/315; D6/512, 524, 525, 527, 537,  
D6/553, 566, 567, 574; D9/736, 737;  
D28/9, 73, 76  
CPC ..... A47K 3/281; A47K 3/001; A47K 17/00;  
A47K 1/09; A47K 2201/02; A47K 5/00;  
A47K 1/08; A47B 55/02; A45D 20/14;  
A45D 2020/126; A45D 33/006; B44D  
3/125; A47G 29/08  
See application file for complete search history.

(56) **References Cited**

**U.S. PATENT DOCUMENTS**

4,666,201 A \* 5/1987 Chap ..... A47F 5/01  
211/126.9  
5,460,279 A \* 10/1995 Emery ..... A47B 55/02  
211/188  
D428,744 S \* 8/2000 Patel ..... D6/525  
D472,750 S \* 4/2003 Clucas ..... D6/525  
D616,235 S \* 5/2010 Guindi ..... D6/525  
D632,513 S \* 2/2011 Cittadino ..... A47K 3/281  
D6/525  
D697,673 S \* 1/2014 Wright ..... D28/38  
D714,571 S \* 10/2014 Walker ..... D6/525  
D718,554 S \* 12/2014 Snider ..... D6/525  
D728,255 S \* 5/2015 Guindi ..... D6/513  
D748,334 S 1/2016 Goodman et al.

D751,763 S \* 3/2016 Goodman ..... D28/73  
D751,766 S \* 3/2016 Goodman ..... D28/38  
D758,667 S \* 6/2016 Petruccelli ..... D28/38  
D760,515 S \* 7/2016 Snider ..... D6/675.2  
D761,492 S \* 7/2016 Goodman ..... D28/38  
D770,197 S \* 11/2016 Yang ..... D6/525  
D805,318 S \* 12/2017 Umholtz ..... D6/525  
D806,434 S \* 1/2018 Yang ..... D6/525  
9,883,742 B2 \* 2/2018 Yang ..... A47B 57/26

(Continued)

**OTHER PUBLICATIONS**

Yigii Hair Dryer Holder, Published on: Jul. 7, 2022 (online), Retrieved on: Aug. 14, 2022 (online), <https://www.amazon.com/YIGII-Dryer-Holder-Organizer-Mount/dp/B0B5Z593CP?th=1> (Year: 2022).\*

(Continued)

*Primary Examiner* — Messina L Smith  
*Assistant Examiner* — Elizabeth Borsetti  
(74) *Attorney, Agent, or Firm* — Kunzler Bean & Adamson, PC; Michael Bartholomew

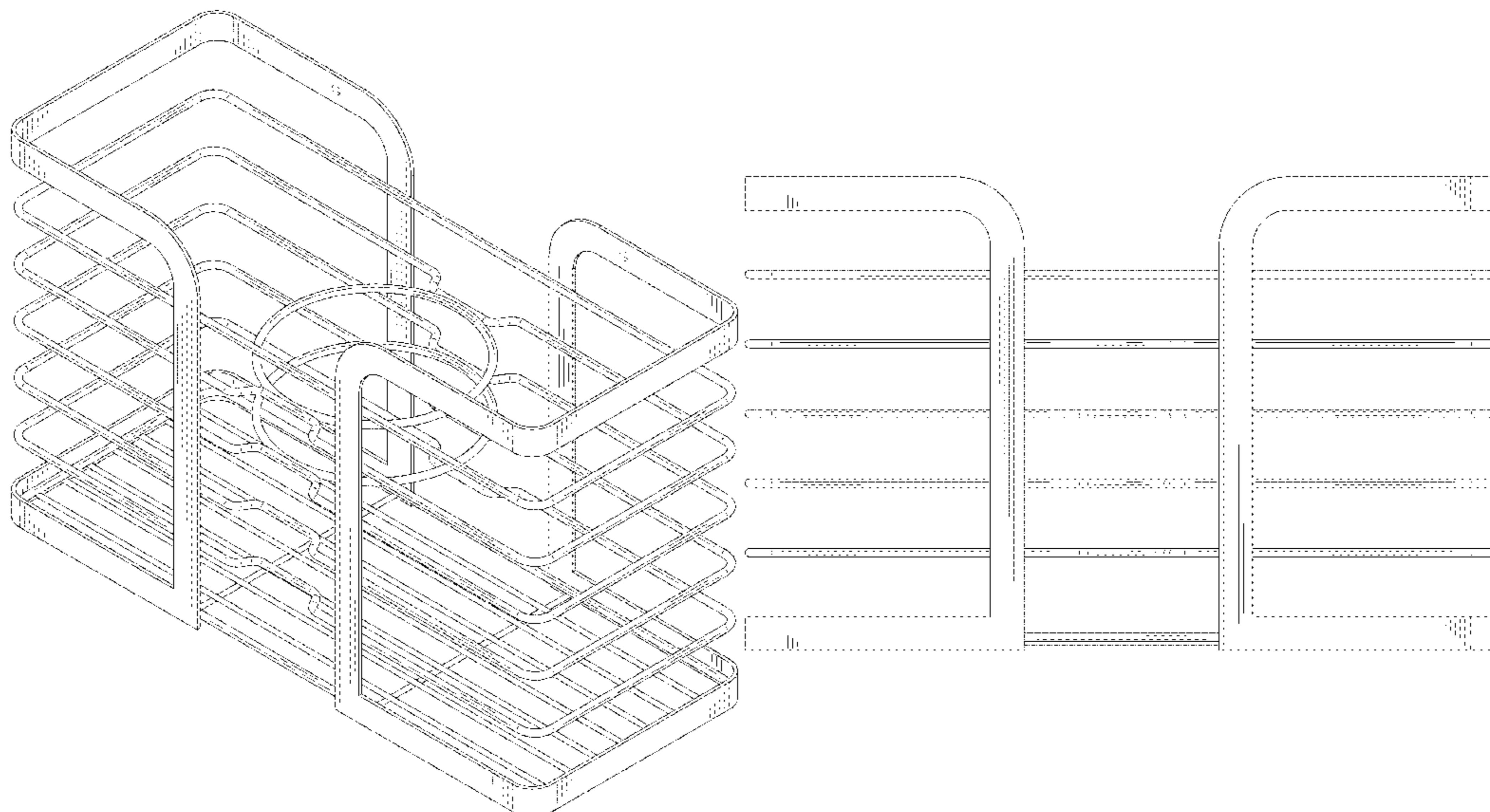
(57) **CLAIM**

The ornamental design for a blow dryer holder, as shown and described.

**DESCRIPTION**

FIG. 1 is a front, right and top perspective view of a blow dryer holder, showing my design.  
FIG. 2 is a rear, left and bottom perspective view thereof.  
FIG. 3 is a front elevation view thereof.  
FIG. 4 is a rear elevation view thereof.  
FIG. 5 is a left side elevation view thereof.  
FIG. 6 is a right side elevation view thereof.  
FIG. 7 is a top plan view thereof; and,  
FIG. 8 is a bottom plan view thereof.  
The broken lines depict portions of the blow dryer holder that form no part of the claimed design.

**1 Claim, 8 Drawing Sheets**



(56)

References Cited

U.S. PATENT DOCUMENTS

D863,816 S \* 10/2019 Tuang ..... D6/566  
 D863,817 S \* 10/2019 Chien ..... D6/566  
 D875,424 S \* 2/2020 Chien ..... D6/525  
 D891,144 S \* 7/2020 Felsenthal ..... D6/514  
 D893,267 S \* 8/2020 Goodman ..... D7/637  
 D907,397 S \* 1/2021 Huang ..... D6/525  
 D926,489 S \* 8/2021 Sabounjian ..... D7/704  
 D929,149 S \* 8/2021 Chang Chien ..... D6/566  
 D937,601 S \* 12/2021 Chang Chien ..... D6/513  
 D938,121 S \* 12/2021 Kraemer ..... D32/55  
 D939,167 S \* 12/2021 Fan ..... D32/55  
 D955,136 S \* 6/2022 Qiu ..... D6/566  
 D966,736 S \* 10/2022 Liu ..... D6/525  
 D970,249 S \* 11/2022 Wang ..... D6/525  
 D972,860 S \* 12/2022 Zhou ..... D6/525  
 D979,979 S \* 3/2023 Dai ..... D6/566  
 D980,019 S \* 3/2023 Liang ..... D7/600.1  
 D982,931 S \* 4/2023 Yu ..... D6/566

D992,303 S \* 7/2023 Wang ..... D6/525  
 D992,304 S \* 7/2023 He ..... D6/525  
 D992,978 S \* 7/2023 Huang ..... D7/600.4  
 2017/0215653 A1 \* 8/2017 Engell ..... A47K 3/281  
 2021/0059406 A1 \* 3/2021 Elliott ..... A47B 57/26

OTHER PUBLICATIONS

Vitabona Hair Dryer Holder Wall Mounted, Published on: Jul. 19, 2023 (online), Retrieved on: Aug. 14, 2023 (online), [https://www.amazon.com/dp/B0CC98T6WW/ref=sspa\\_dk\\_detail\\_6?th=1](https://www.amazon.com/dp/B0CC98T6WW/ref=sspa_dk_detail_6?th=1) (Year: 2023).\*

Inventor's, Wenyi Wei, publication on Amazon dated Jul. 6, 2022. Please refer to <https://www.amazon.com/gp/product/BOB5Z593CP?th=1>, the Declaration, the webpages of the disclosure, the webpages of the detailed information of the Amazon seller, the Sales Authorization Certificate between the Inventor and the Amazon seller, and the Business License of the Amazon seller and its translation in English.

\* cited by examiner

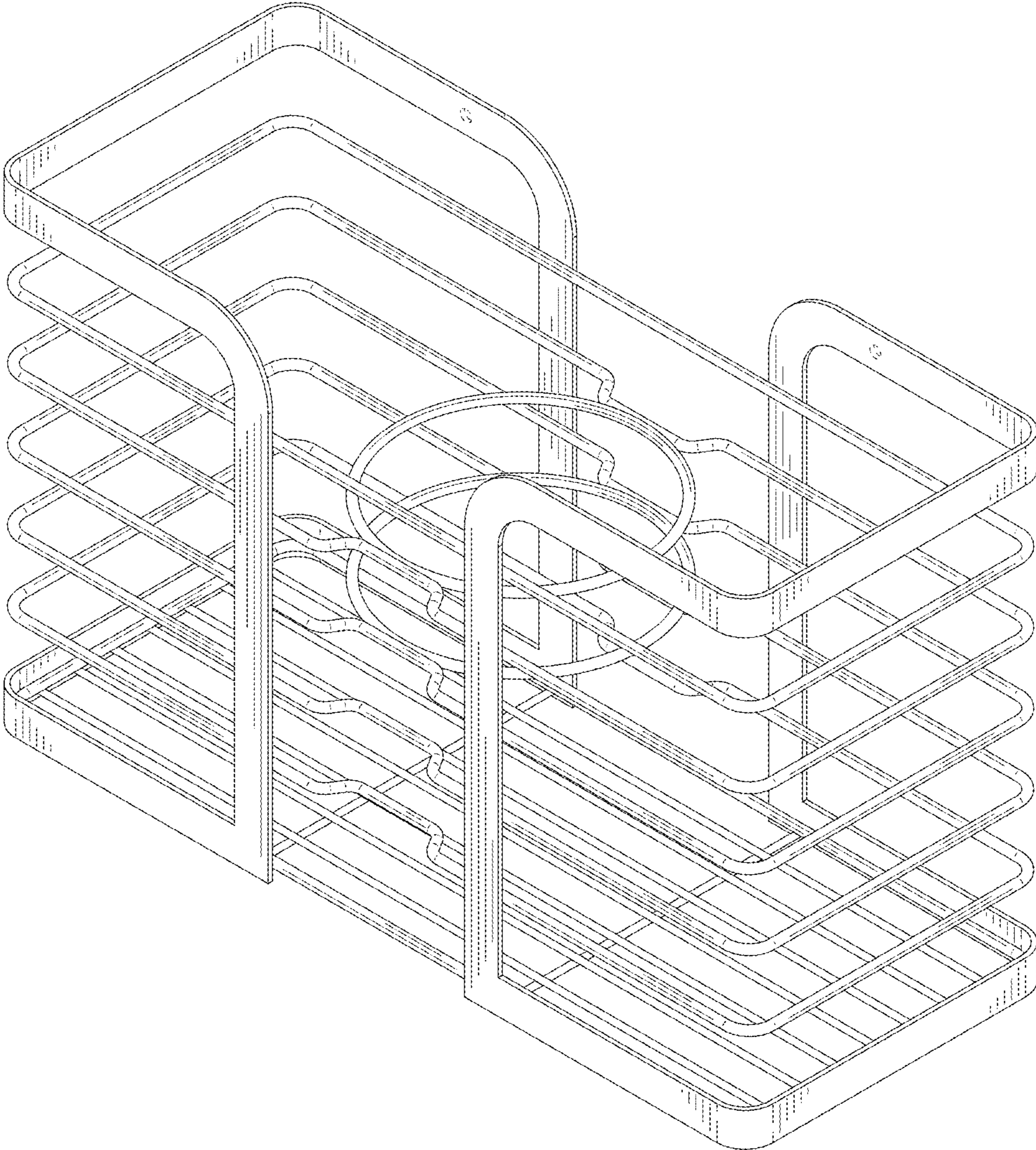


FIG. 1

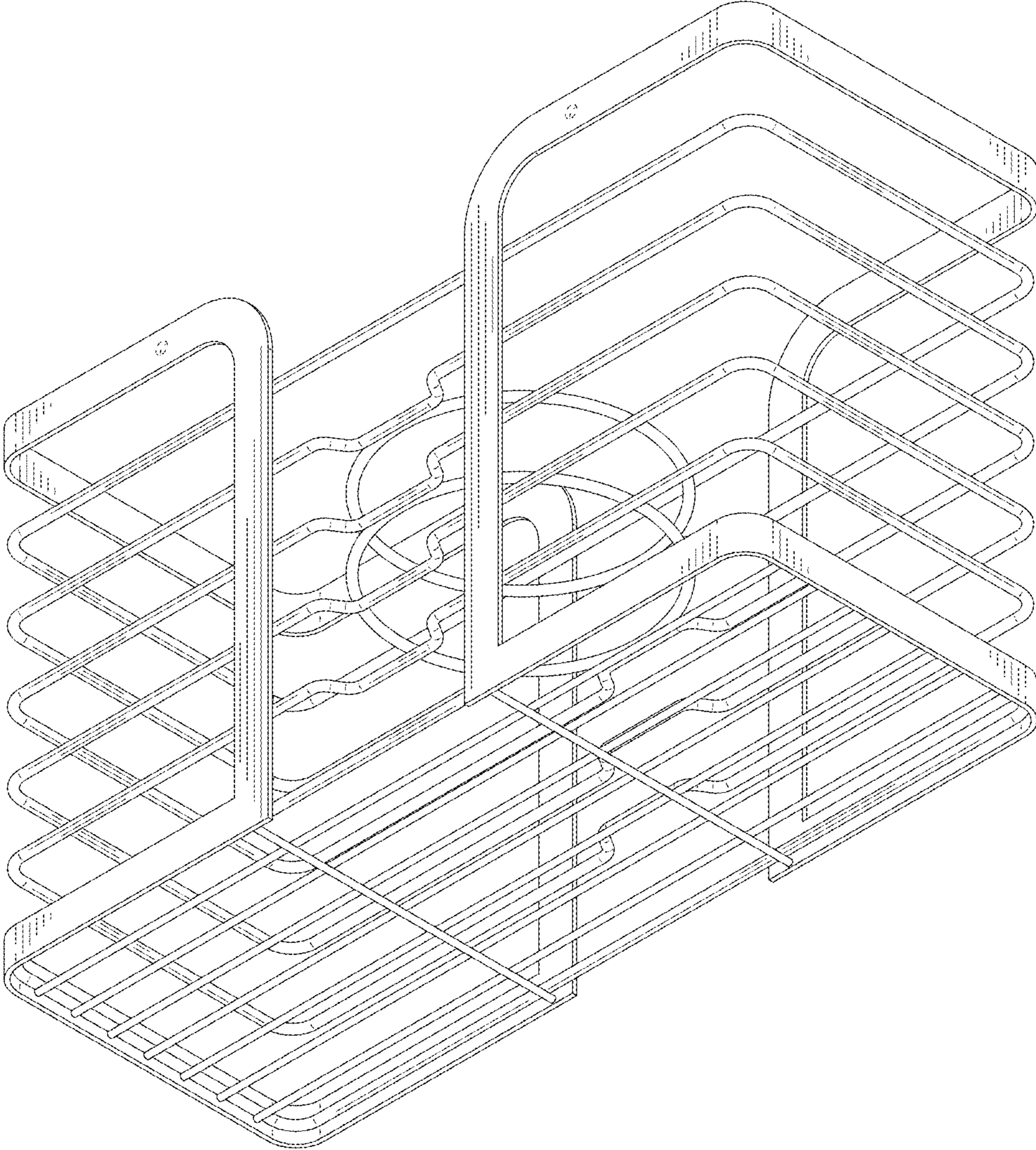


FIG. 2

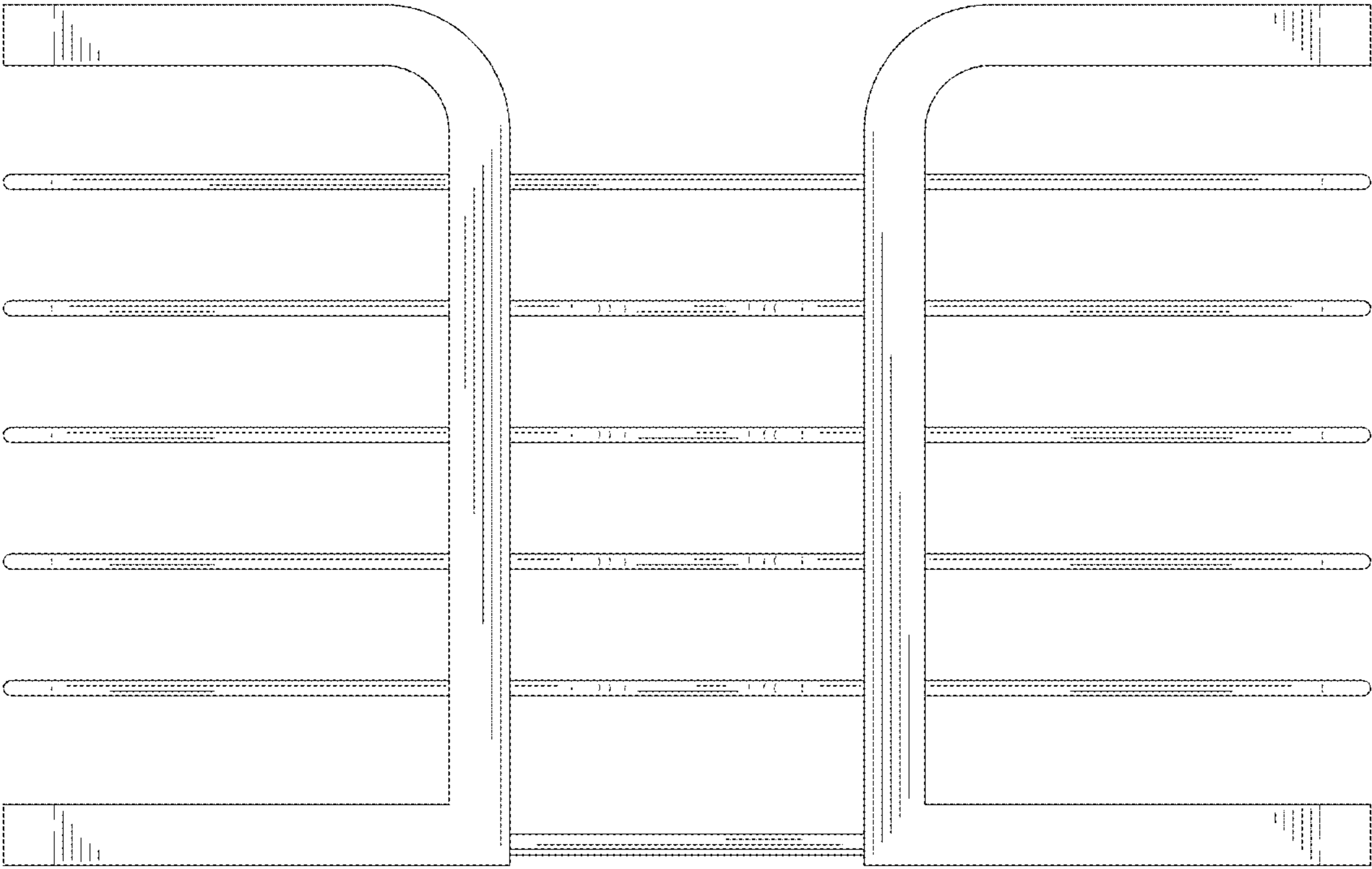


FIG. 3

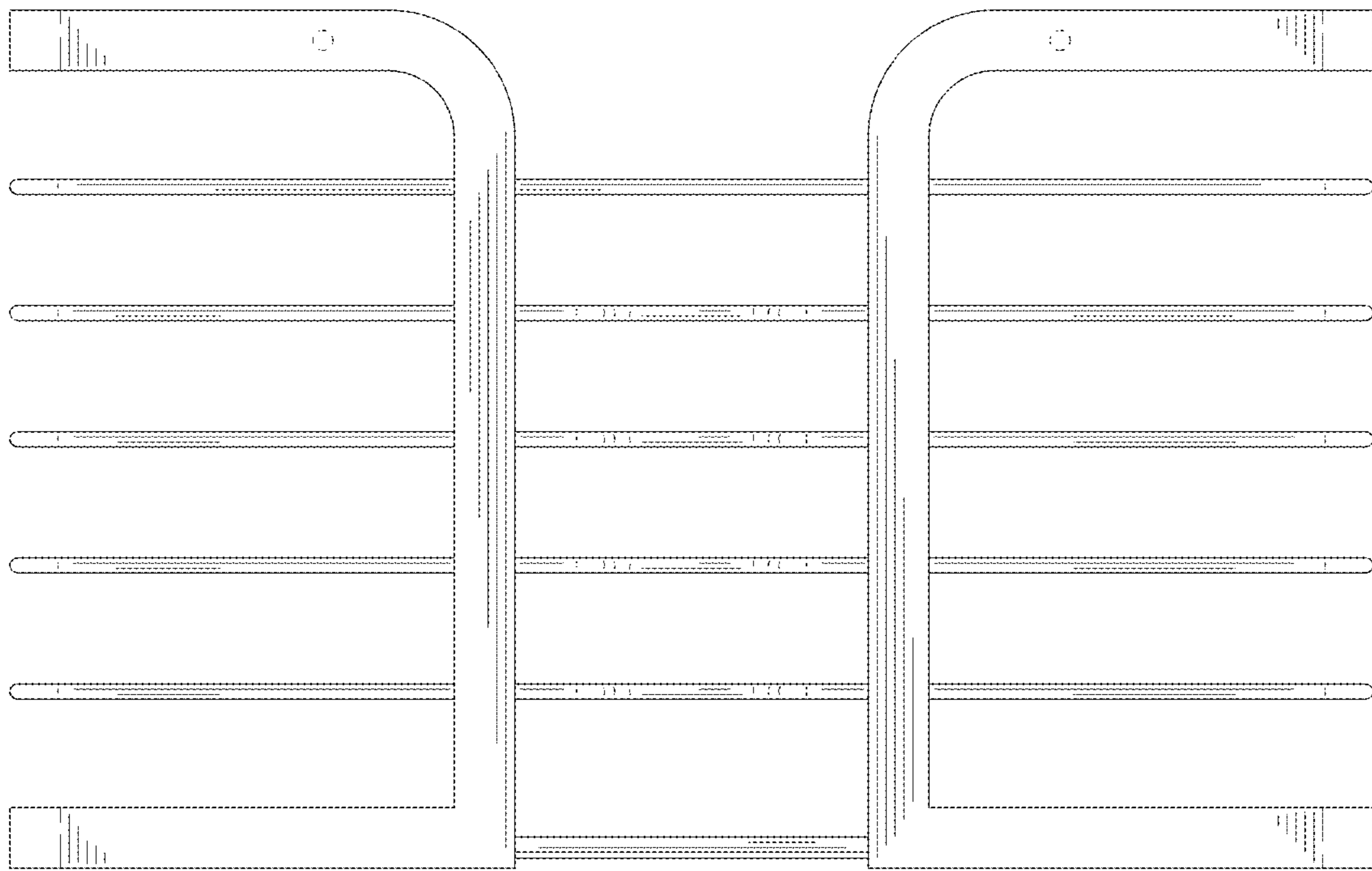


FIG. 4

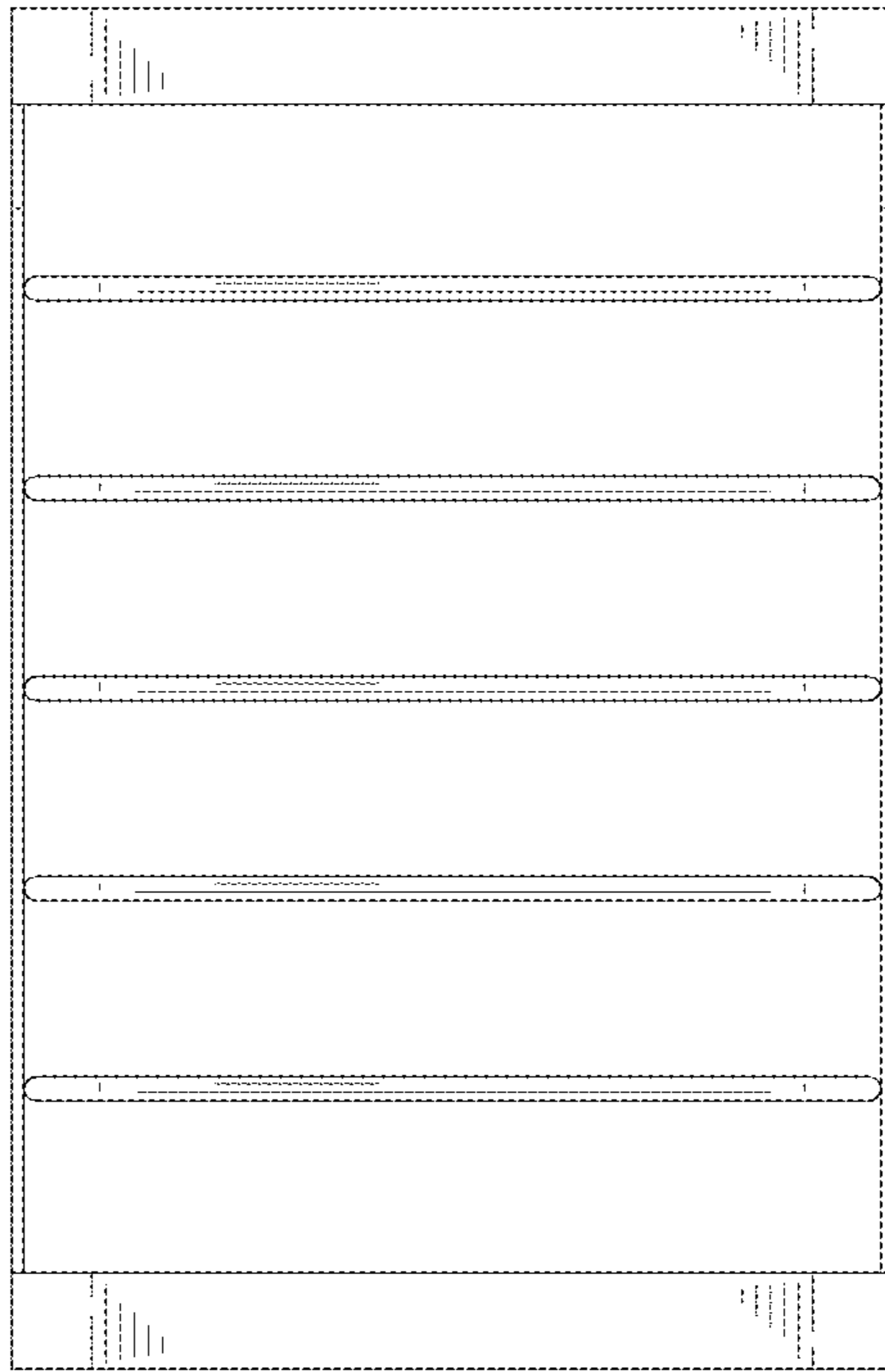


FIG. 5

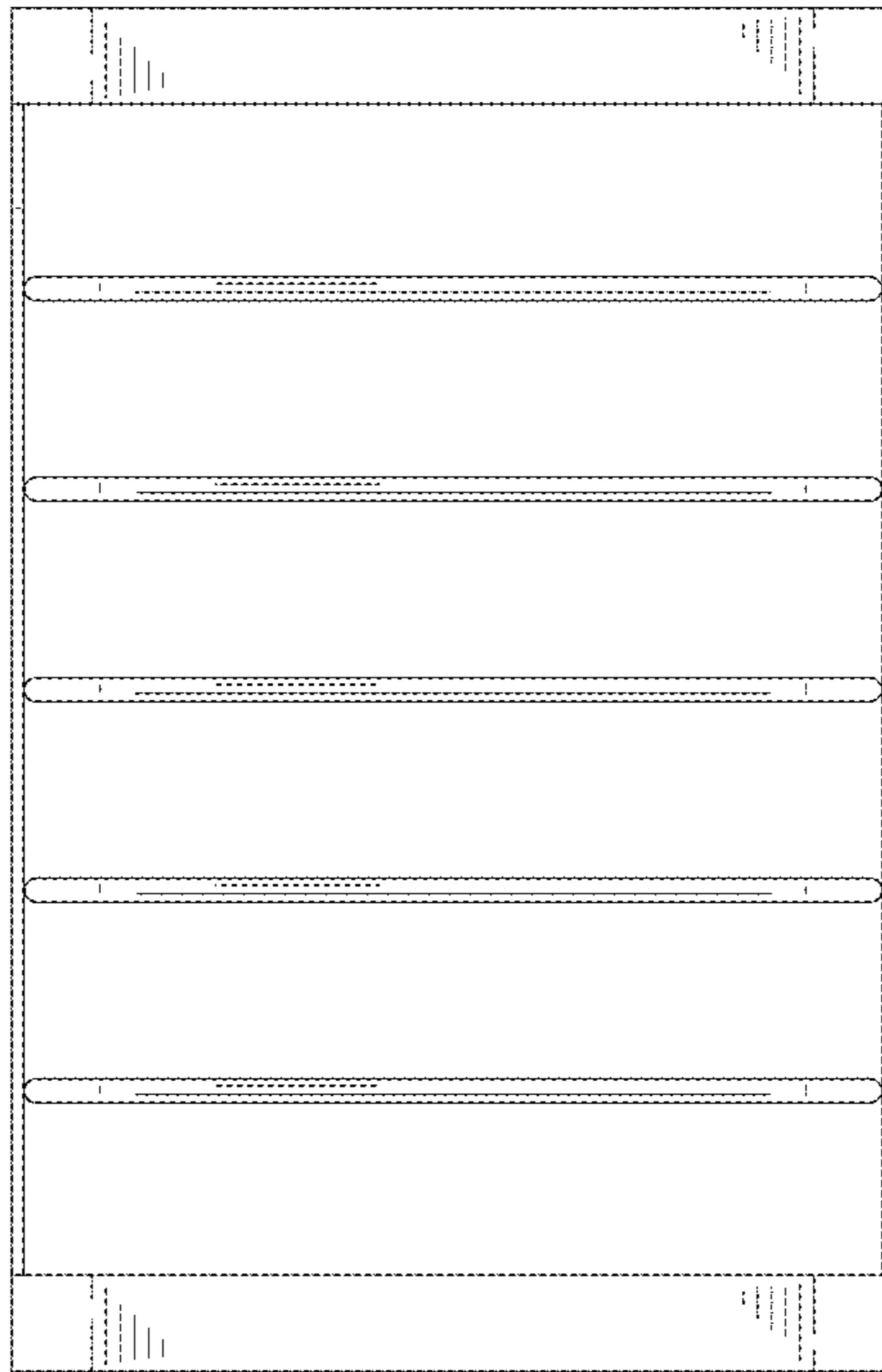


FIG. 6



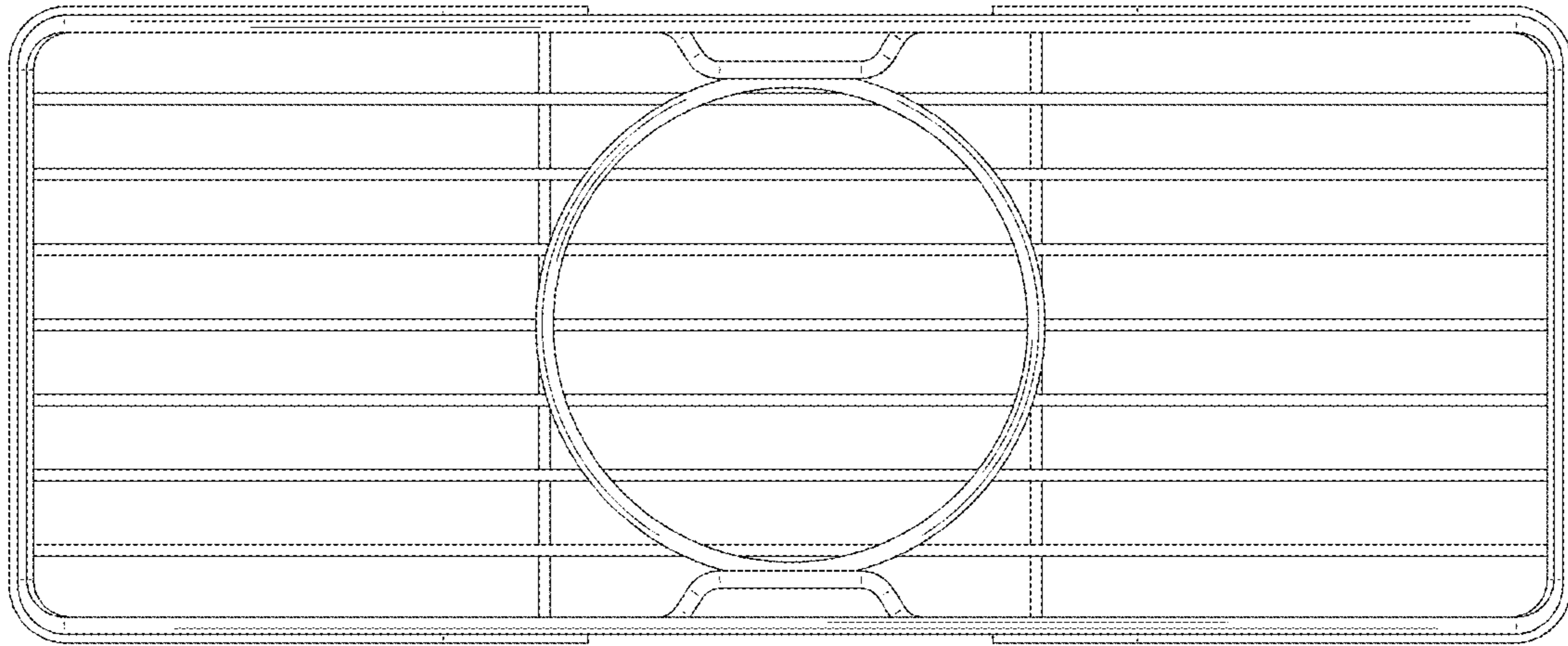


FIG. 7

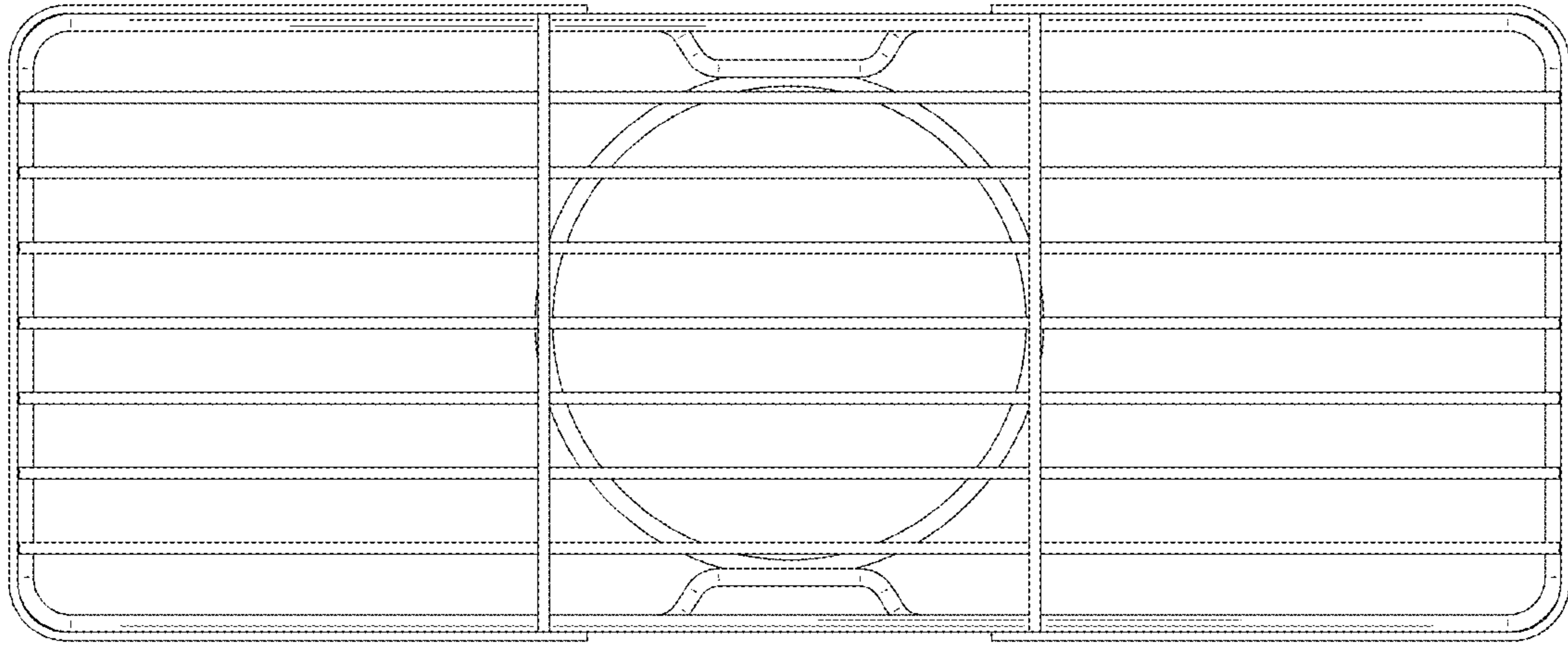


FIG. 8