



US0D1006977S

(12) **United States Design Patent** (10) **Patent No.:** **US D1,006,977 S**
Hederstierna et al. (45) **Date of Patent:** **** Dec. 5, 2023**

(54) **AIR DISTRIBUTION BOX**

FOREIGN PATENT DOCUMENTS

(71) Applicant: **Dometic Sweden AB**, Solna (SE)
(72) Inventors: **Rickard Hederstierna**, Hägersten (SE); **Samuele Meda**, Solna (SE); **Jarrold Williamson**, Victoria (AU); **Jason Svarc**, Victoria (AU); **Louis Liu**, Zhuhai (CN)

AU 2005206673 B2 8/2007
AU 319629 S 5/2008
(Continued)

(73) Assignee: **Dometic Sweden AB**, Solna (SE)

(**) Term: **15 Years**

(21) Appl. No.: **29/774,535**

(22) Filed: **Mar. 17, 2021**

Related U.S. Application Data

(62) Division of application No. 29/660,094, filed on Aug. 17, 2018, now Pat. No. Des. 917,036.

(30) **Foreign Application Priority Data**

Feb. 20, 2018 (AU) 201810972
Feb. 20, 2018 (AU) 201810975
Feb. 20, 2018 (AU) 201810977

(51) **LOC (14) Cl.** **23-04**

(52) **U.S. Cl.**
USPC **D23/371**

(58) **Field of Classification Search**
USPC D23/325, 370, 371, 385, 387, 388, 393;
D26/118, 163
CPC B60H 1/00364; B60H 1/00535; B60H
1/00542; B60H 1/24; B60H 1/26; B60H
1/00

See application file for complete search history.

(56) **References Cited**

U.S. PATENT DOCUMENTS

2,504,472 A 4/1950 Van Alsburg et al.
2,701,998 A 2/1955 Wulle
3,343,473 A 9/1967 Gillick et al.

(Continued)

OTHER PUBLICATIONS

[https://www.dometic.com/en-sg/sg/products/climate/air-conditioners/motorhome-and-caravan-air-conditioners/dometic-bis4-adb-_188839Dometic IBIS4 ADB Air Distribution Box \[Dec. 2, 2020\]](https://www.dometic.com/en-sg/sg/products/climate/air-conditioners/motorhome-and-caravan-air-conditioners/dometic-bis4-adb-_188839Dometic%20IBIS4%20ADB%20Air%20Distribution%20Box%20%5BDec.%202%2C%202020%5D) found online [Dec. 2, 2020]-.

(Continued)

Primary Examiner — John A Voytek

(74) *Attorney, Agent, or Firm* — Dinsmore & Shohl LLP

(57) **CLAIM**

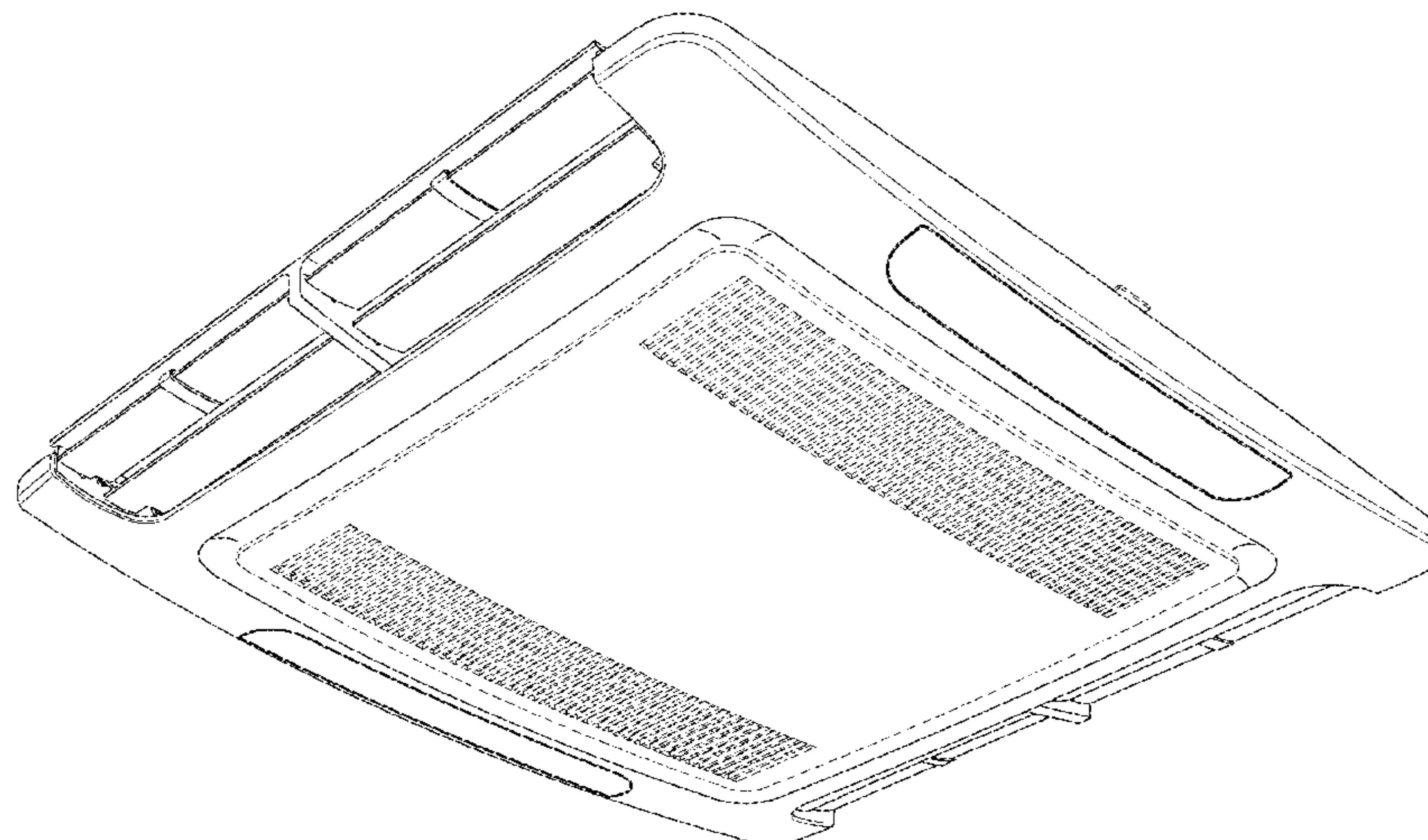
The ornamental design for an air distribution box, as shown and described.

DESCRIPTION

FIG. 1 is a perspective view of an air distribution box design; FIG. 2 is a first side view of the air distribution box design of FIG. 1; FIG. 3 is a second side view of the air distribution box design of FIG. 1; FIG. 4 is a third side view of the air distribution box design of FIG. 1; FIG. 5 is a fourth side view of the air distribution box design of FIG. 1; and, FIG. 6 is a bottom view of the air distribution box design of FIG. 1.

The broken line disclosure represents unclaimed portions of the air distribution box in which the design is embodied.

1 Claim, 6 Drawing Sheets



(56)

References Cited

U.S. PATENT DOCUMENTS

3,648,591 A 3/1972 Winnett
 3,680,468 A 8/1972 Schueler
 D226,381 S 2/1973 Harty, Jr.
 3,727,537 A 4/1973 Harty
 4,048,910 A 9/1977 Weir
 4,182,227 A 1/1980 Roy
 D275,988 S * 10/1984 Walker D23/392
 D284,025 S 5/1986 Armstrong
 4,641,502 A 2/1987 Aldrich et al.
 4,672,818 A 6/1987 Roth
 D306,341 S 2/1990 Bales et al.
 5,046,405 A 9/1991 Roy
 5,501,634 A 3/1996 Wilder
 5,531,641 A 7/1996 Aldrich
 6,213,197 B1 4/2001 Ebbeson
 D510,996 S 10/2005 Vladika
 7,140,192 B2 11/2006 Allen et al.
 D535,431 S 1/2007 Roland
 7,171,822 B2 2/2007 Allen et al.
 7,234,315 B2 6/2007 Allen et al.
 7,237,397 B2 7/2007 Allen
 D567,352 S 4/2008 Hollingsworth et al.
 D570,465 S 6/2008 Miyake et al.
 7,419,368 B2 9/2008 Milks
 D653,323 S 1/2012 Jacak et al.
 D654,998 S 2/2012 Zakula et al.
 D655,403 S 3/2012 Zakula et al.
 D661,386 S 6/2012 Bergin
 D681,794 S 5/2013 Lin et al.
 8,535,127 B2 9/2013 Malott
 8,568,209 B2 10/2013 Boxum
 D702,827 S 4/2014 Mase et al.
 D712,531 S 9/2014 Bergin
 D715,907 S 10/2014 Bergin
 D716,925 S 11/2014 Bergin
 D746,725 S 1/2016 Stopka
 D771,231 S 11/2016 Chen et al.
 D784,511 S 4/2017 Jonas et al.
 9,631,832 B2 4/2017 Malott
 D785,771 S 5/2017 Bergin
 D785,772 S 5/2017 Bergin
 D800,294 S 10/2017 Jonas et al.
 D800,295 S 10/2017 Jonas et al.
 D811,566 S 2/2018 Liu et al.
 D815,724 S 4/2018 Jonas et al.
 D817,466 S 5/2018 Moseley
 9,975,405 B2 5/2018 Siddiqui et al.
 D824,499 S 7/2018 Williamson et al.
 10,093,152 B2 10/2018 Allard et al.
 D834,163 S 11/2018 Liu et al.
 D841,138 S 2/2019 Williamson et al.
 10,252,598 B2 4/2019 Hipp-kalthoff et al.
 D850,609 S 6/2019 Bergin
 D862,668 S 10/2019 Moseley
 D865,926 S 11/2019 Moseley
 10,589,593 B2 3/2020 Wstendarp et al.
 D884,869 S 5/2020 Jonas et al.
 D899,582 S * 10/2020 Appiahene-Agyei D23/385
 D908,200 S * 1/2021 Jonas D23/385
 D917,036 S 4/2021 Hederstierna
 D948,698 S * 4/2022 Huang D23/371
 D967,388 S * 10/2022 Chen D23/370
 D968,581 S * 11/2022 Somei D23/366
 D987,057 S * 5/2023 Choi D23/372
 D987,807 S * 5/2023 Zhou D23/393
 2006/0052050 A1 3/2006 Malott et al.
 2007/0227693 A1 10/2007 Allen et al.
 2009/0170421 A1 * 7/2009 Adrian F24F 13/20
 454/349
 2010/0218531 A1 9/2010 Khan
 2016/0121695 A1 5/2016 Sakurai
 2016/0311288 A1 10/2016 Mayo Mayo et al.
 2017/0203632 A1 7/2017 Westendarp et al.

2019/0047353 A1 2/2019 Williamson et al.
 2019/0047354 A1 2/2019 Williamson et al.
 2019/0315197 A1 10/2019 Williamson

FOREIGN PATENT DOCUMENTS

AU 319630 S 5/2008
 AU 2004202967 B2 12/2010
 AU 343538 7/2012
 AU 2007237183 B2 9/2012
 AU 349663 7/2013
 AU 2007202766 B2 8/2013
 AU 2012202939 B2 9/2013
 AU 2008288394 B2 5/2014
 AU 361242 4/2015
 AU 2012261549 B2 5/2015
 AU 2012265763 B2 7/2015
 AU 201612249 5/2016
 AU 2014203592 B2 5/2016
 AU 201612412 6/2016
 AU 2012224891 B2 6/2016
 AU 201613590 7/2016
 AU 201613591 7/2016
 AU 201613592 7/2016
 AU 201613593 7/2016
 AU 2016101949 B4 3/2017
 AU 2017100215 A4 3/2017
 AU 201712363 5/2017
 AU 2016200299 A1 7/2017
 AU 2017200100 A1 7/2017
 AU 2017200763 A1 9/2017
 AU 2017203711 A1 1/2018
 AU 201810968 3/2018
 AU 201810969 3/2018
 AU 201810970 3/2018
 AU 201810971 3/2018
 AU 201810972 3/2018
 AU 201810973 3/2018
 AU 201810975 3/2018
 AU 201810977 3/2018
 AU 201810978 3/2018
 AU 2014203837 B2 4/2018
 AU 201816419 1/2019
 AU 2015226832 B2 5/2019
 AU 201916408 12/2019
 AU 201916409 12/2019
 CA 2518348 3/2006
 CA 2587994 12/2007
 CA 2611822 5/2008
 CA 2906348 9/2014
 CA 2951956 12/2015
 CA 165232 S 5/2016
 CA 165233 S 5/2016
 CA 167431 S 2/2017
 CA 172872 S 2/2017
 CA 172873 S 2/2017
 CA 172874 S 2/2017
 CN 1603626 A 4/2005
 CN 1816461 A 8/2006
 CN 101004173 A 7/2007
 CN 204458347 U 7/2015
 CN 204704111 U 10/2015
 CN 204895032 U 12/2015
 CN 205533234 U 8/2016
 CN 205559279 U 9/2016
 CN 205559287 U 9/2016
 CN 106089711 A 11/2016
 CN 205853818 U 1/2017
 CN 106470856 3/2017
 CN 106976376 A 7/2017
 CN 206446406 U 8/2017
 CN 109070688 A 12/2018
 CN 305029216 S 2/2019
 CN 305029217 S 2/2019
 CN 305029218 S 2/2019
 CN 305105066 S 4/2019
 CN 110385958 A 10/2019
 CN 305397384 S 10/2019
 DE 9116338 U1 10/1992

(56)

References Cited

FOREIGN PATENT DOCUMENTS

DE	10336767		12/2004
DE	202004017266	U1	4/2006
DE	102007019078	A1	9/2008
DE	10 2007 038 716	A1	2/2009
DE	602005012194		2/2009
DE	102011102343	A1	11/2012
DE	102010035406	B8	12/2012
DE	102016220768		4/2018
DE	112017000915		10/2018
DE	102018203428	B3	5/2019
EM	005609252-0001		10/2018
EM	005609252-0002		10/2018
EM	005609252-0003		10/2018
EP	700801		3/1996
EP	1634740		3/2006
EP	1870270		12/2007
EP	1925889		5/2008
EP	1988612		11/2008
EP	2196390		6/2010
EP	2423013	A1	2/2012
EP	2 423 019	B1	8/2015
EP	3113965		1/2017
EP	3241695		4/2018
EP	3411250	A1	12/2018
JP	2005-146987	A	6/2005
JP	2005-147071	A	6/2005
KR	20110098484	A	9/2011
KR	10-1718014	B1	3/2017
WO	2009021994	A1	2/2009
WO	2014143181	A1	9/2014
WO	2017143393	A1	8/2017
WO	2017143394	A1	8/2017
WO	2019038023	A1	2/2019
WO	2019082168		5/2019
WO	2019097448	A1	5/2019
WO	2019229706	A1	12/2019

OTHER PUBLICATIONS

AU Provisional Patent Application No. 2018901268, of Williamson, J., et al., filed Apr. 16, 2018.
 AU Patent Application No. 2019202512, of Williamson, J., et al., filed Apr. 10, 2019.
 U.S. Appl. No. 16/384,376, of Williamson, J., et al., filed Apr. 15, 2019.
 DE Patent Application No. 10 2019 205 194.4, of Williamson, J., et al., filed Apr. 11, 2019.
 AU Provisional Patent Application No. 2018901939, of Williamson, J., et al., filed May 31, 2018.
 PCT Patent Application No. PCT/IB2019/054509, of Williamson, J., et al., filed May 31, 2019.
 CN Patent Application No. 201980036421 entitled "Air conditioner for a vehicle" filed on Nov. 30, 2020.
 DE Patent Application No. 112019002266 entitled "Air conditioner for a vehicle" filed on Nov. 30, 2020.
 Notice of Allowance Issued for U.S. Appl. No. 29/660,094 dated Dec. 22, 2020.
 Restriction Requirement Issued for U.S. Appl. No. 29/660,094 dated Sep. 23, 2020.
 U.S. Appl. No. 29/660,094 entitled "Air Distribution Box" filed Aug. 17, 2018.

Advisory Action Issued in U.S. Appl. No. 16/384,376 dated Jan. 25, 2022.
 Office Action Issued in German Application No. 112019002266 dated Jan. 25, 2022.
 Notice of Allowance Issued for U.S. Appl. No. 16/384,376 dated Feb. 22, 2022.
 Final Office Action Issued in U.S. Appl. No. 16/384,376 dated Aug. 27, 2021.
 United States Patent and Trademark Office, Non-Final Office Action for U.S. Appl. No. 16/384,376 dated Apr. 5, 2021.
 Design U.S. Appl. No. 29/682,265 entitled "Air Conditioning Apparatus" filed Mar. 4, 2019.
 Utility U.S. Appl. No. 16/722,938 entitled "Roof Top Air Conditioner Unit, Methods for Producing, Assembling and Installing the Roof Top Air Conditioner Unit and Vehicle with the Roof Top Air Conditioner Unit" filed Dec. 20, 2019.
 Design U.S. Appl. No. 29/645,887 entitled "Mobile Air Conditioner" filed Apr. 30, 2018.
 U.S. Appl. No. 62/819,711 entitled "Mobile Air Conditioner" filed Mar. 18, 2019.
 Utility U.S. Appl. No. 16/744,584 entitled "Parking Cooler" filed Jan. 16, 2020.
 Dometic Product Catalog, Climate Control, 2015.
 Dometic Product Catalog, Climate Control, 2016.
 Australian Patent Application No. 2017200186 entitled "Parking Cooler" filed Jan. 11, 2017.
 Design U.S. Appl. No. 29/604,433 entitled "Air Conditioning Apparatus" filed May 17, 2017.
 Design U.S. Appl. No. 29/620,394 entitled "Air Shroud Assembly" filed Oct. 4, 2017.
 Design U.S. Appl. No. 29/677,547 entitled "Modular Air Gill" filed Jan. 22, 2019.
 Design U.S. Appl. No. 29/594,476 entitled "Shroud Assembly" filed Feb. 17, 2017.
 Australian Patent Application No. 201612249 entitled "Air-Conditioning Unit" filed Apr. 28, 2016.
 Office Action for Germany Patent Application No. 102017214941.8 dated Nov. 29, 2019.
 Notification to Grant Patent for Chinese Design Application No. 201830456867.7, dated Dec. 3, 2018.
 Notification to Grant Patent for Chinese Design Application No. 201830456885.5, dated Nov. 30, 2018.
 International Search Report and Written Opinion for PCT Patent Application No. PCT/IB2019/054509 dated Aug. 26, 2019.
 Notification to Grant Patent for Chinese Design Application No. 201830456864.3, dated Dec. 3, 2018.
 Corrected Notice of Allowability Issued for U.S. Appl. No. 17/854,869 dated May 19, 2023.
 Office Action for Germany Patent Application No. 112019002266.0 dated May 16, 2023.
 Office Action issued in Chinese Patent Application No. 201910236428.9 dated Jun. 30, 2023.
 Corrected Notice of Allowability Issued for U.S. Appl. No. 17/854,869 dated Jul. 10, 2023.
 Corrected Notice of Allowability Issued for U.S. Appl. No. 17/854,869 dated Jun. 20, 2023.
 Corrected Notice of Allowability Issued for U.S. Appl. No. 17/854,869 dated Aug. 9, 2023.
 U.S. Appl. No. 18/449,354 titled "Air Distribution Apparatus" filed on Aug. 14, 2023.

* cited by examiner

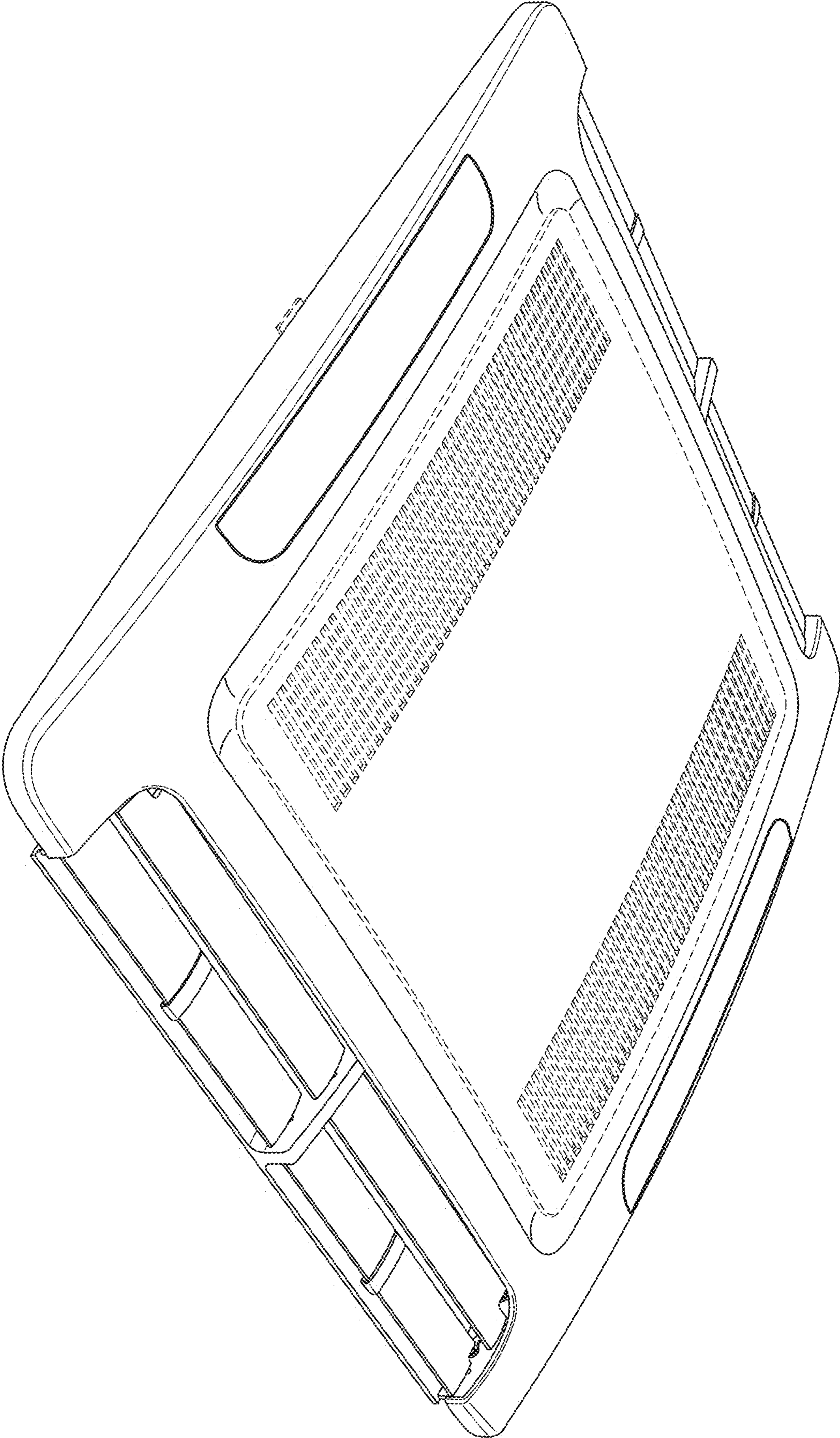


FIG. 1

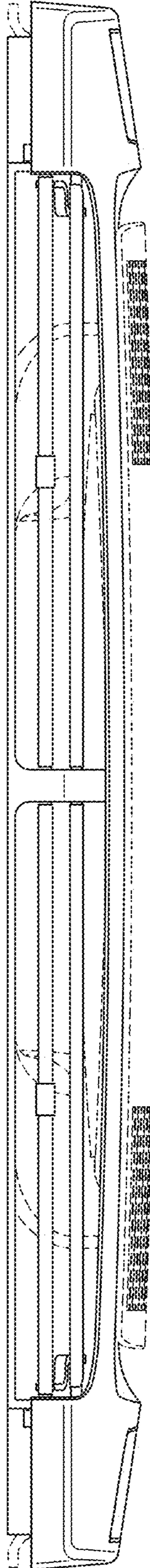


FIG. 2

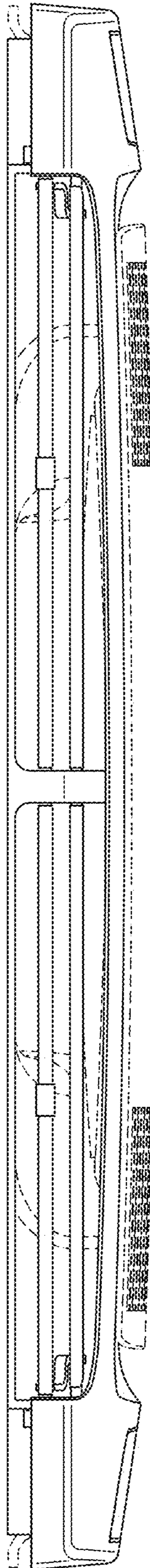


FIG. 3

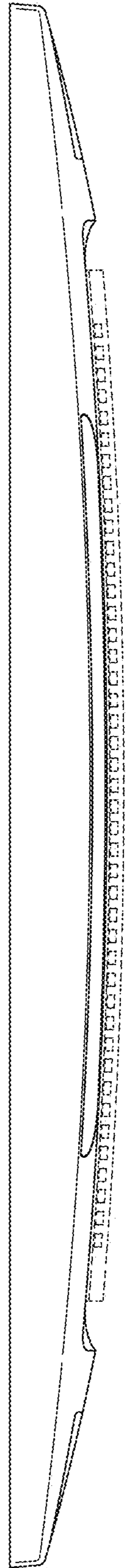


FIG. 4

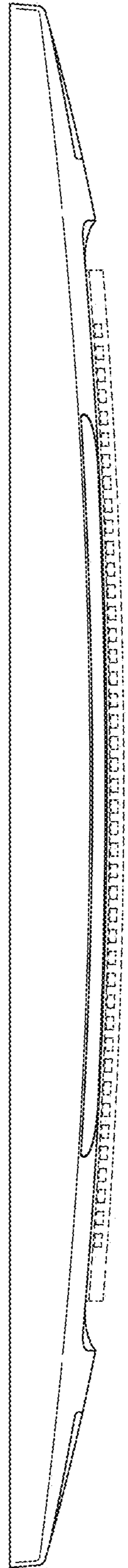


FIG. 5

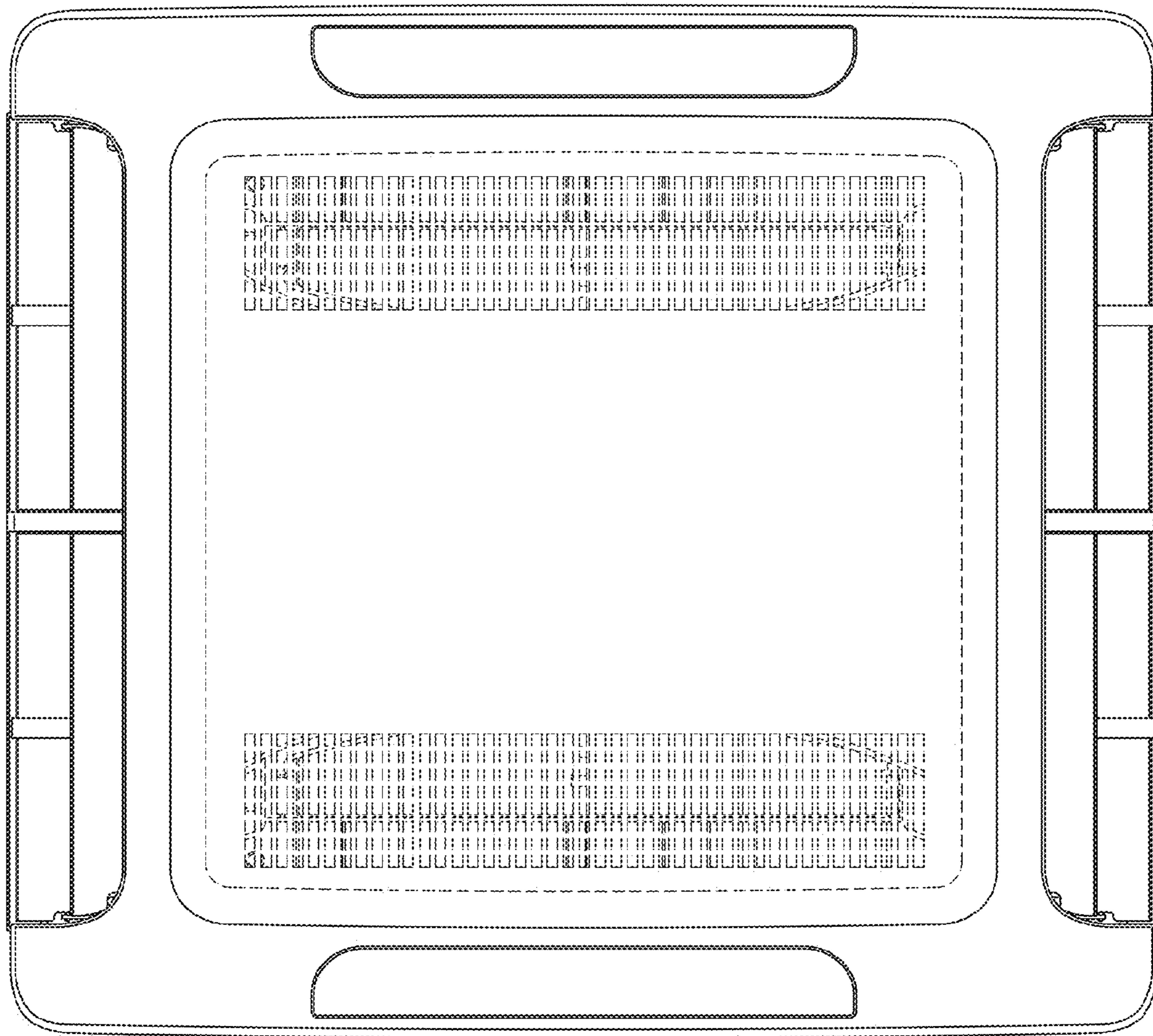


FIG. 6