



US0D1006957S

(12) **United States Design Patent**  
**Deng**

(10) **Patent No.: US D1,006,957 S**

(45) **Date of Patent: \*\* Dec. 5, 2023**

(54) **SHOWER VALVE**

D910,153 S \* 2/2021 Schoenherr ..... D23/254  
D917,668 S 4/2021 Xie  
D995,722 S \* 8/2023 Su ..... D23/254

(71) Applicant: **Yunshi Deng**, Foshan (CN)

(72) Inventor: **Yunshi Deng**, Foshan (CN)

(\*\*) Term: **15 Years**

(21) Appl. No.: **29/903,106**

(22) Filed: **Sep. 20, 2023**

(51) **LOC (14) Cl.** ..... **23-01**

(52) **U.S. Cl.**  
USPC ..... **D23/254**

(58) **Field of Classification Search**  
USPC ..... D23/233, 245, 249, 253, 241, 254  
CPC ..... F16K 11/20; F16K 11/0746  
See application file for complete search history.

(56) **References Cited**

**U.S. PATENT DOCUMENTS**

D598,074 S \* 8/2009 Starck ..... D23/254  
D665,883 S 8/2012 Flowers  
D813,993 S \* 3/2018 Schoenherr ..... D23/254  
D816,190 S \* 4/2018 Schoenherr ..... D23/254  
D817,459 S \* 5/2018 Schoenherr ..... D23/254  
D883,447 S 5/2020 Xie  
D898,873 S \* 10/2020 Massaud ..... D23/254  
D898,877 S \* 10/2020 Schoenherr ..... D23/254

**FOREIGN PATENT DOCUMENTS**

CN 218761597 U \* 3/2023

\* cited by examiner

*Primary Examiner* — Gino Colan

(74) *Attorney, Agent, or Firm* — Georgi Korobanov

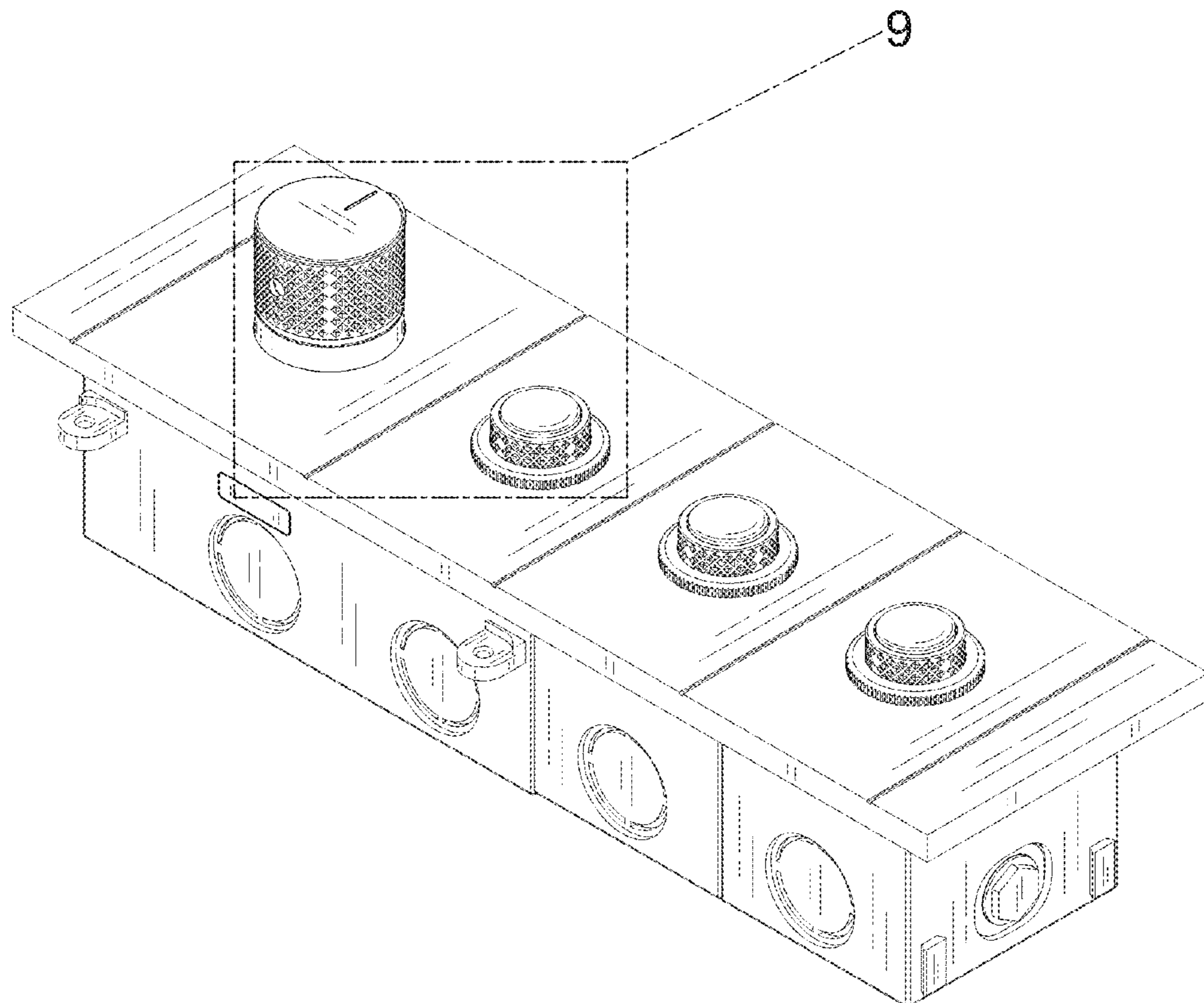
(57) **CLAIM**

The ornamental design for a shower valve, as shown and described.

**DESCRIPTION**

FIG. 1 is a front, right and top perspective view of a shower valve, showing my new design;  
FIG. 2 is a rear, left and bottom perspective view thereof;  
FIG. 3 is a front view thereof;  
FIG. 4 is a rear view thereof;  
FIG. 5 is a left side view thereof;  
FIG. 6 is a right side view thereof;  
FIG. 7 is a top plan view thereof;  
FIG. 8 is a bottom plan view thereof; and,  
FIG. 9 is an enlarged view of portion 9 of FIG. 1 thereof.  
The broken lines shown in the drawings illustrate portions of the shower valve that form no part of the claimed design.

**1 Claim, 9 Drawing Sheets**



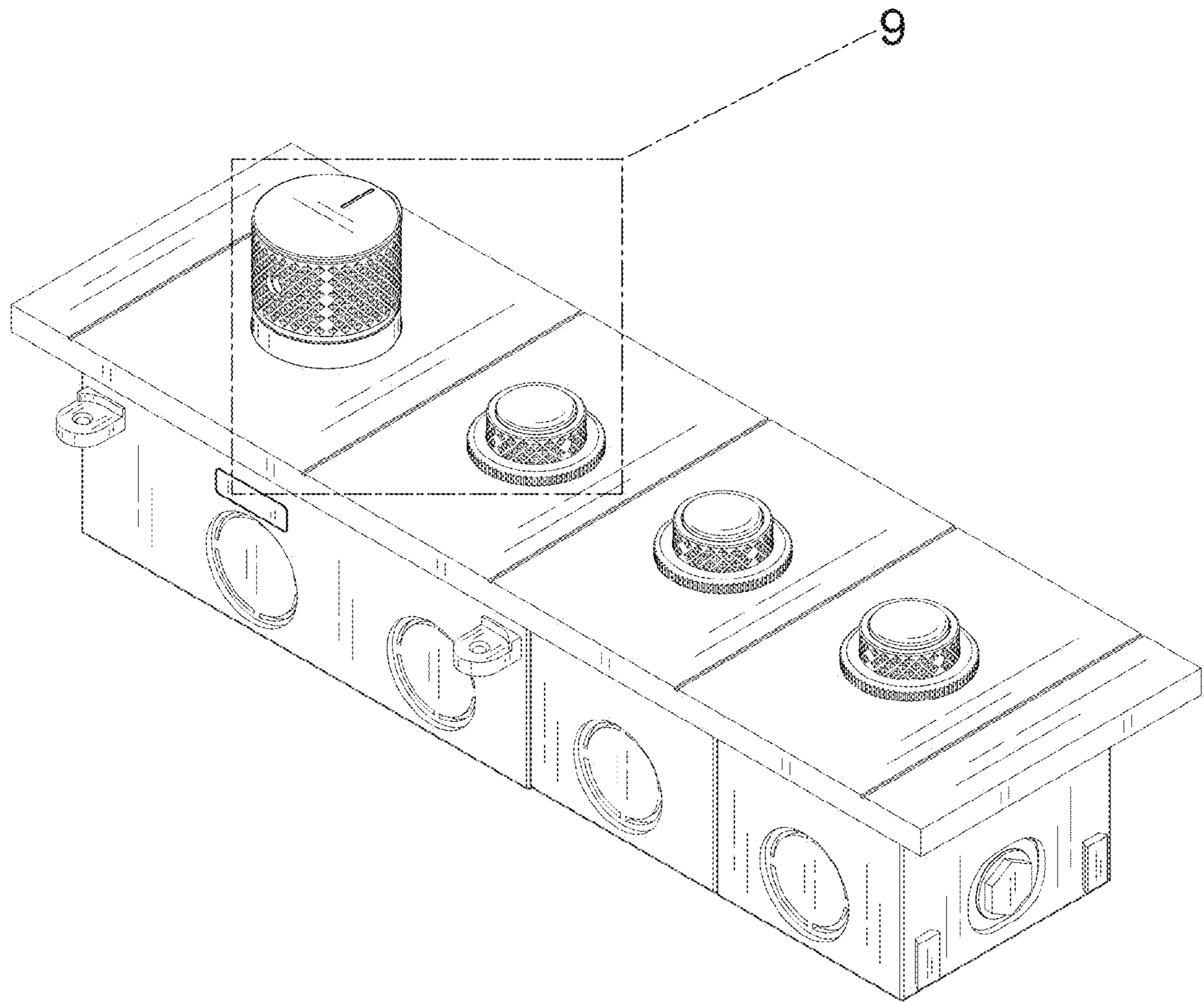


FIG. 1

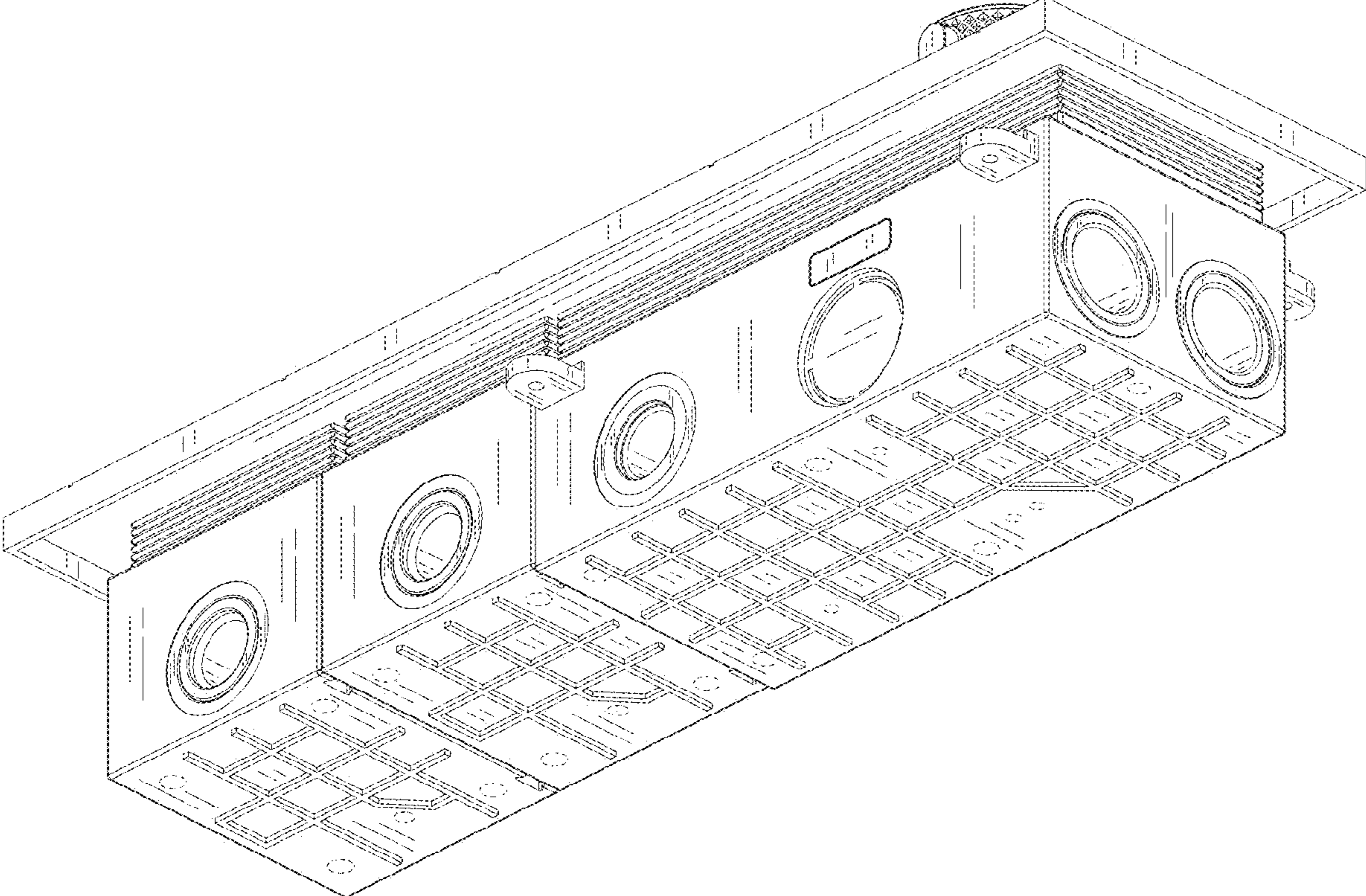


FIG. 2

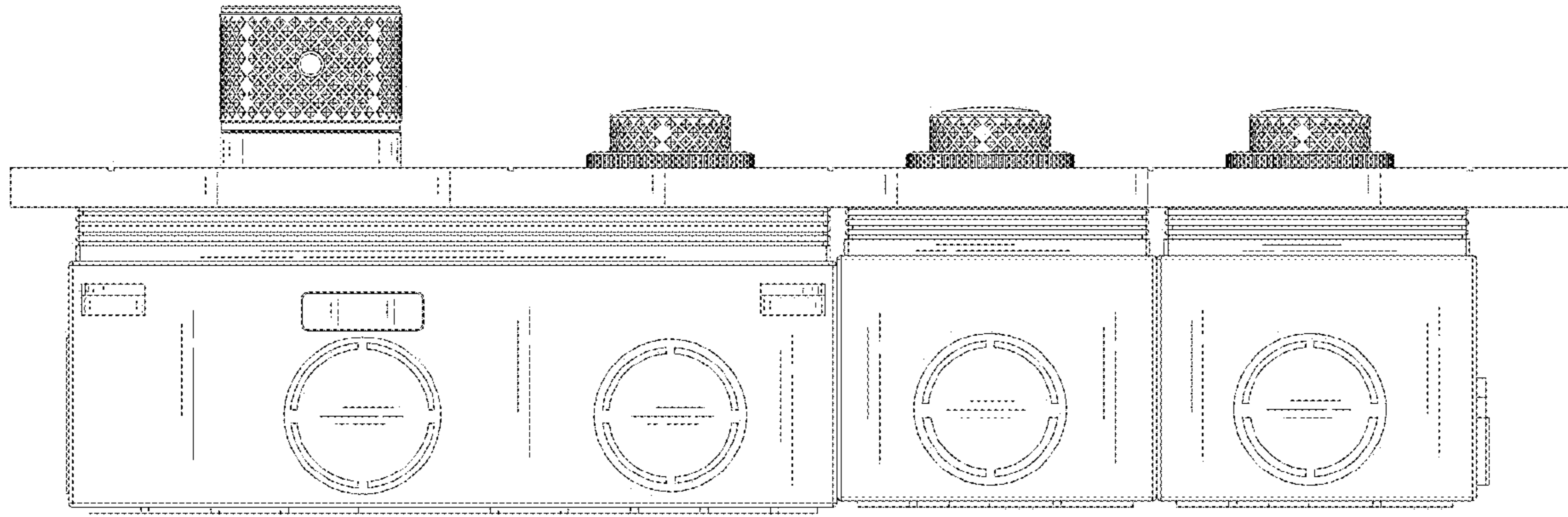


FIG. 3

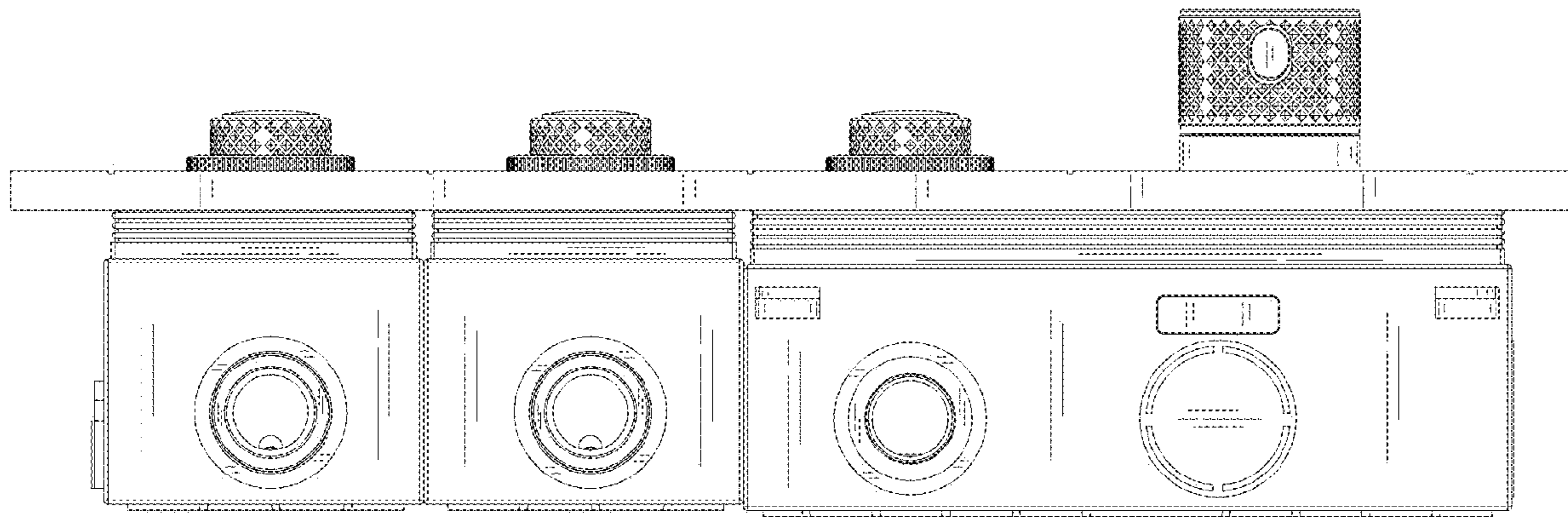


FIG. 4

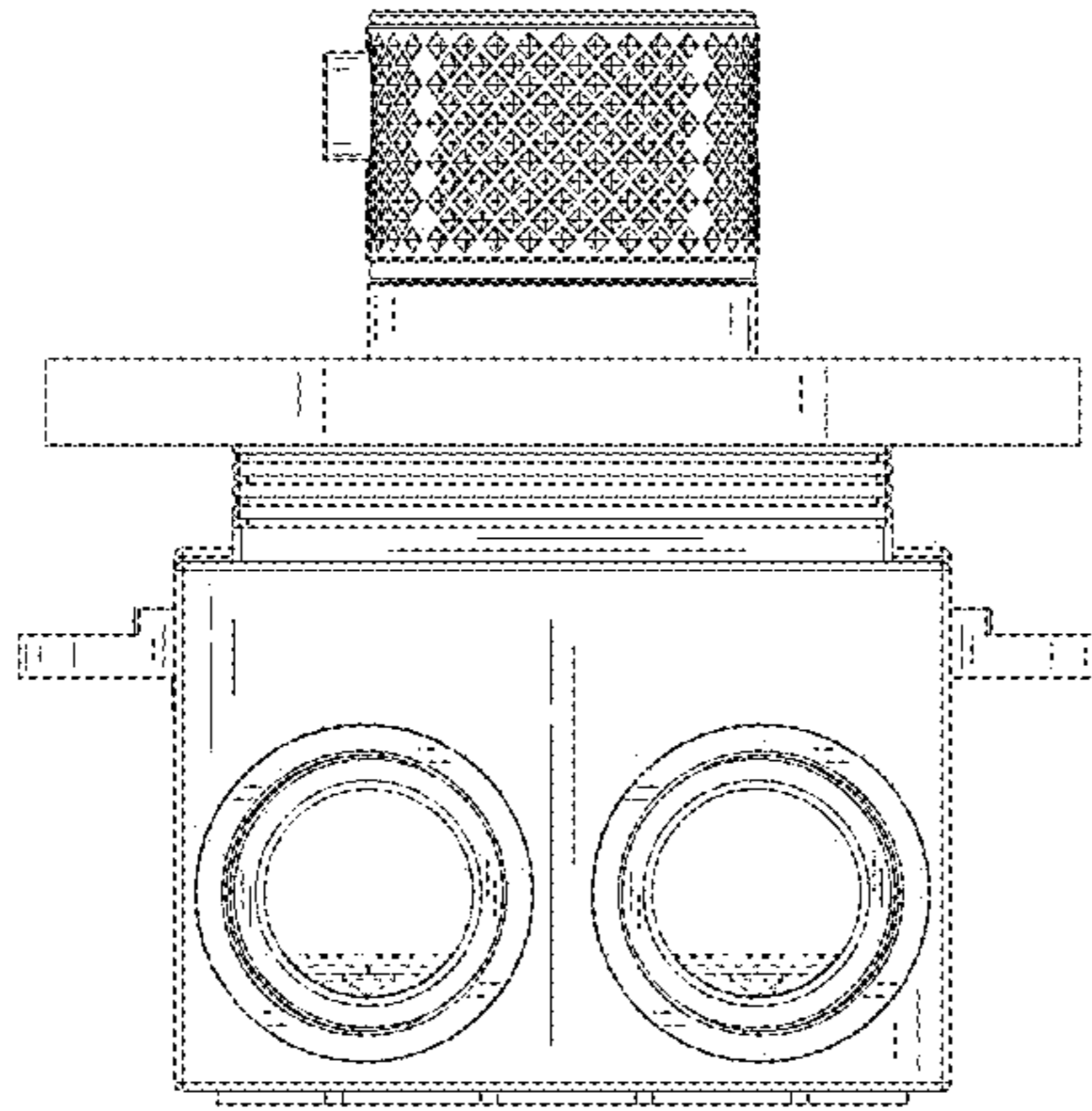


FIG. 5

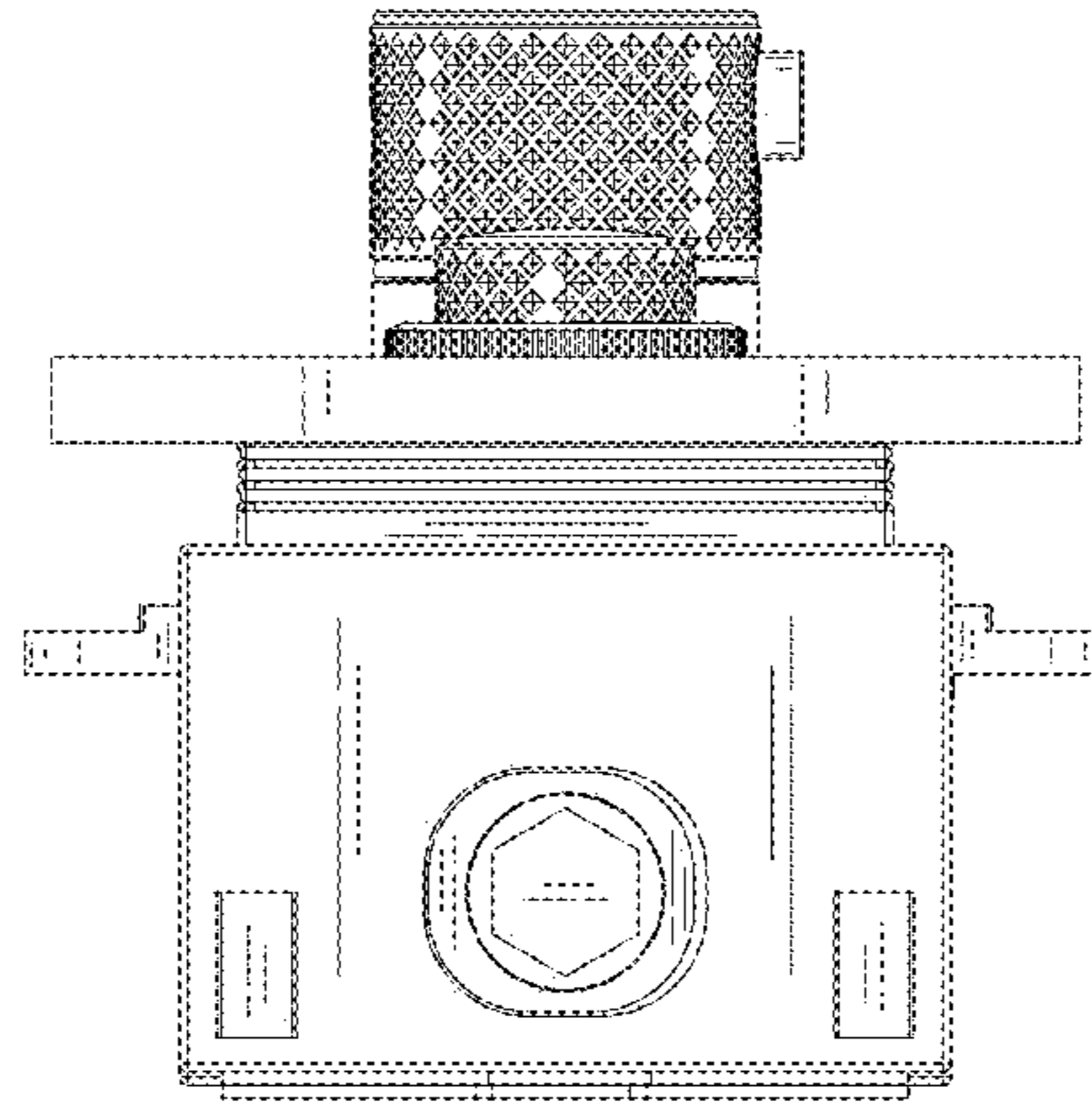


FIG. 6

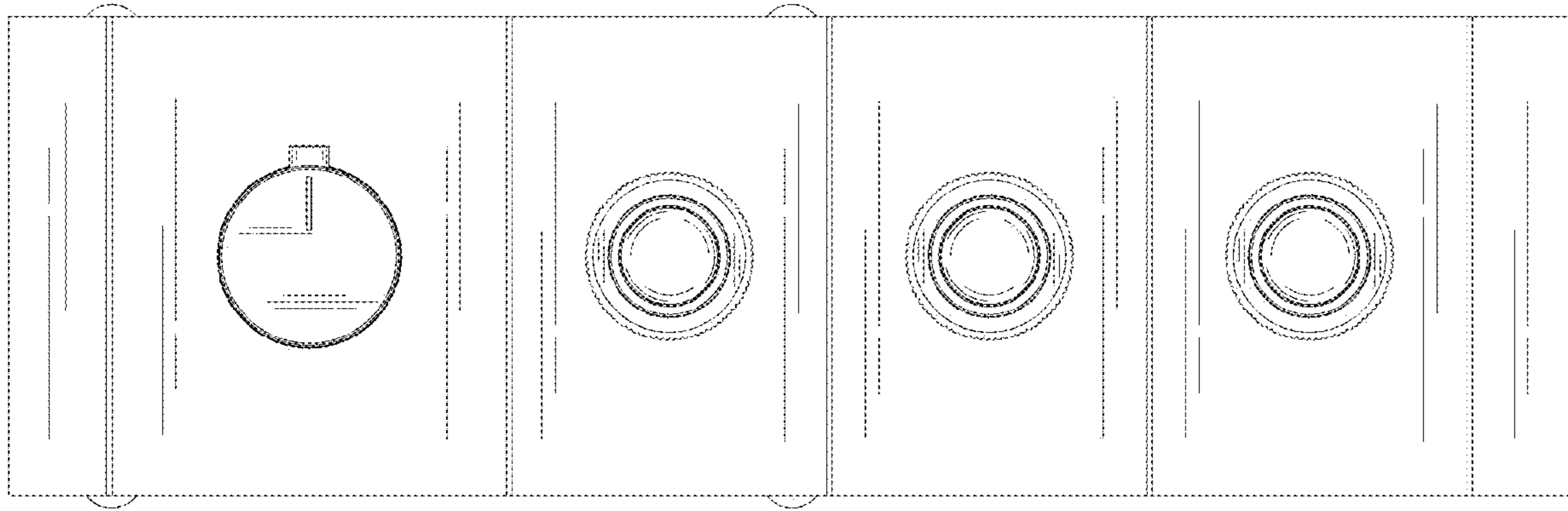


FIG. 7



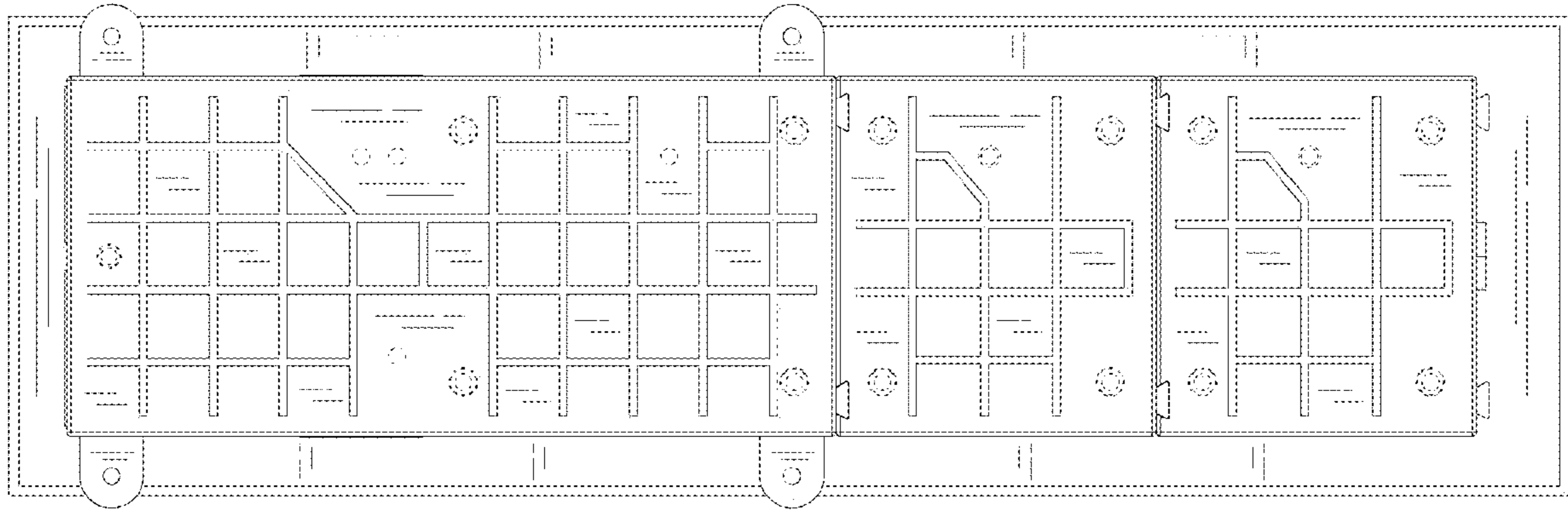


FIG. 8

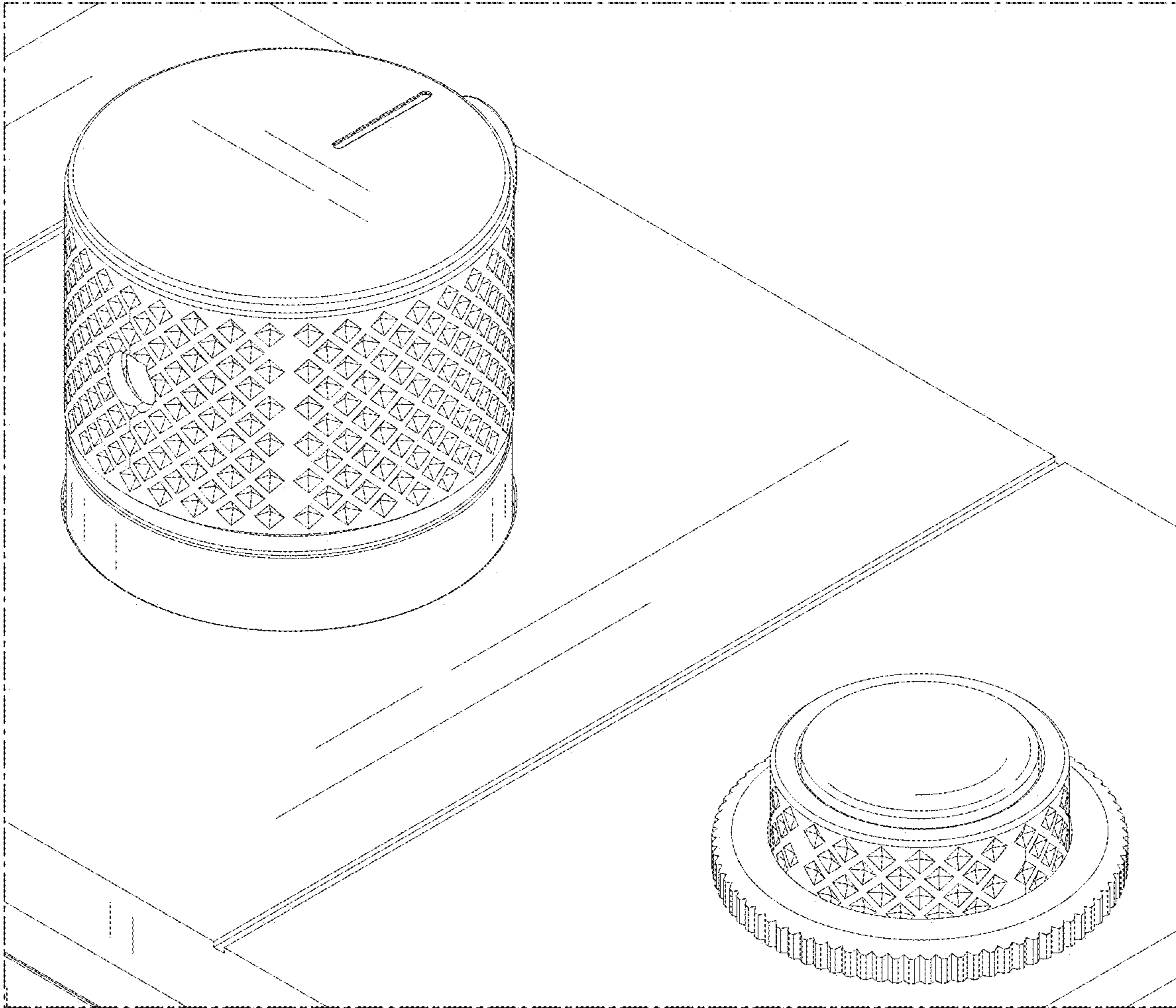


FIG. 9