



US0D1006937S

(12) **United States Design Patent** (10) **Patent No.:** **US D1,006,937 S**
Swartwood (45) **Date of Patent:** **** Dec. 5, 2023**

- (54) **TENNIS-STROKE TRAINER DEVICE**
- (71) Applicant: **Paul Swartwood**, Blackduck, MN (US)
- (72) Inventor: **Paul Swartwood**, Blackduck, MN (US)
- (**) Term: **15 Years**
- (21) Appl. No.: **29/774,039**
- (22) Filed: **Mar. 12, 2021**

- 3,876,203 A 4/1975 Gold
- 4,042,237 A 8/1977 Moraru
- 4,089,521 A 5/1978 Berst et al.
- 4,173,340 A * 11/1979 Kanno A63B 69/0091
473/575
- 4,477,083 A 10/1984 Sowards
(Continued)

Related U.S. Application Data

- (63) Continuation-in-part of application No. 17/171,872, filed on Feb. 9, 2021, now Pat. No. 11,083,948.
- (51) **LOC (14) Cl.** **21-02**
- (52) **U.S. Cl.**
USPC **D21/799.1; D21/719**
- (58) **Field of Classification Search**
USPC D21/791, 698, 799.1, 707, 719, 465, 466
CPC . A63B 57/00; A63B 69/3621; A63B 69/0075;
A63B 67/10; A63B 43/007; A63B
69/0079; A63B 69/38; A63B 69/0091;
A63B 61/00; A63B 61/006; A63B
2102/02
See application file for complete search history.

FOREIGN PATENT DOCUMENTS

WO WO2017141270 A1 8/2017

OTHER PUBLICATIONS

TopSpin Solution—Tennis Training Aid. Date Posted: Jul. 9, 2019. Retrieved from internet: <<https://www.amazon.com/Oncourt-Offcourt-TopSpin-Solution-Everything/dp/B07V49KR77/>> [site visited Aug. 24, 2023] (Year: 2019).*

Primary Examiner — Katherine Glennon
Assistant Examiner — Yuan Yuan

(57) **CLAIM**

The ornamental design for a tennis-stroke trainer device, as shown and described.

DESCRIPTION

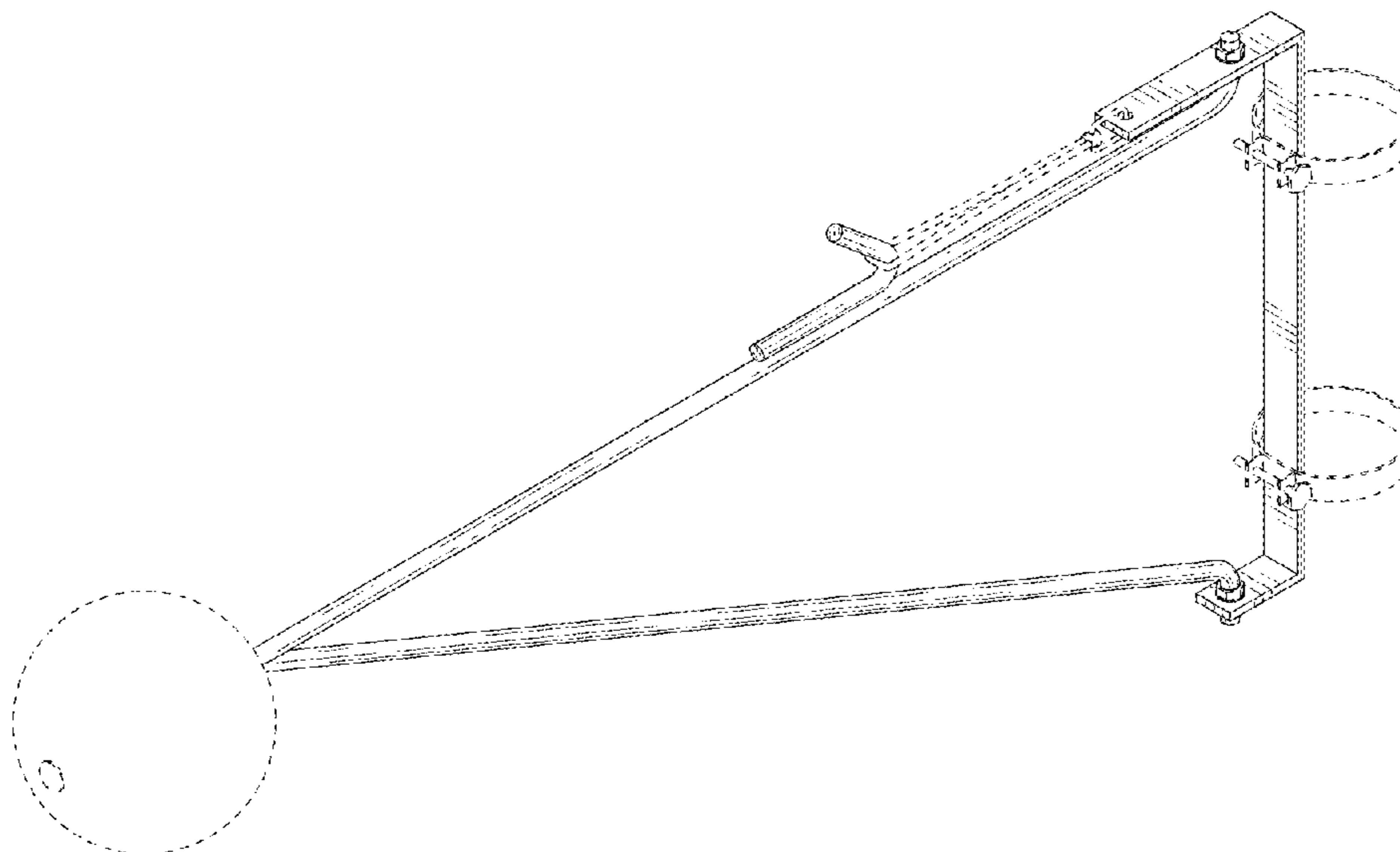
FIG. 1 is a top-front-left perspective view of a tennis-stroke trainer device showing my new design; FIG. 2 is a bottom-rear-right perspective view thereof; FIG. 3 is a front elevational view thereof; FIG. 4 is a rear elevational view thereof; FIG. 5 is a left elevational view thereof; FIG. 6 is a right elevational view thereof; FIG. 7 a top plan view thereof; and, FIG. 8 is a bottom plan view thereof. The broken line showing the tennis-stroker trainer device in FIGS. 1-8 are included for the purpose of showing environmental structure of clamps, fasteners, an elastic cord, and a foam ball and form no part of the claimed design.

1 Claim, 8 Drawing Sheets

(56) **References Cited**

U.S. PATENT DOCUMENTS

- 2,213,570 A * 9/1940 Rohland A63B 69/0091
473/146
- 2,297,118 A * 9/1942 Wildegans A63B 69/0091
473/149
- 2,305,187 A * 12/1942 Neiden A63B 69/0091
473/149
- 2,823,038 A * 2/1958 White A63B 69/0091
473/149
- 3,143,351 A * 8/1964 Bertrand A63B 69/0079
473/143
- 3,610,622 A * 10/1971 Haroski A63B 67/10
446/28



(56)

References Cited

U.S. PATENT DOCUMENTS

5,553,848 A * 9/1996 Amron A63B 69/0091
473/429
5,618,039 A * 4/1997 Tsai A63B 69/0091
473/436
5,685,542 A * 11/1997 Weis A63B 69/0091
588/1
D431,061 S * 9/2000 Solis D21/719
D433,723 S * 11/2000 Hynes D21/719
D438,582 S * 3/2001 Speers D21/465
D486,544 S * 2/2004 Featherston D21/780
7,115,052 B2 * 10/2006 Wardle A63B 69/38
473/429
D606,136 S * 12/2009 Gamboa D21/799.1
8,137,218 B2 * 3/2012 Le niewicz A63B 69/38
473/430
11,083,948 B1 * 8/2021 Swartwood A63B 69/0091
2001/0036874 A1 11/2001 Cathcart
2013/0012340 A1 * 1/2013 Kanner A63B 69/0002
473/429
2021/0236902 A1 * 8/2021 Allen A63B 69/0079

* cited by examiner

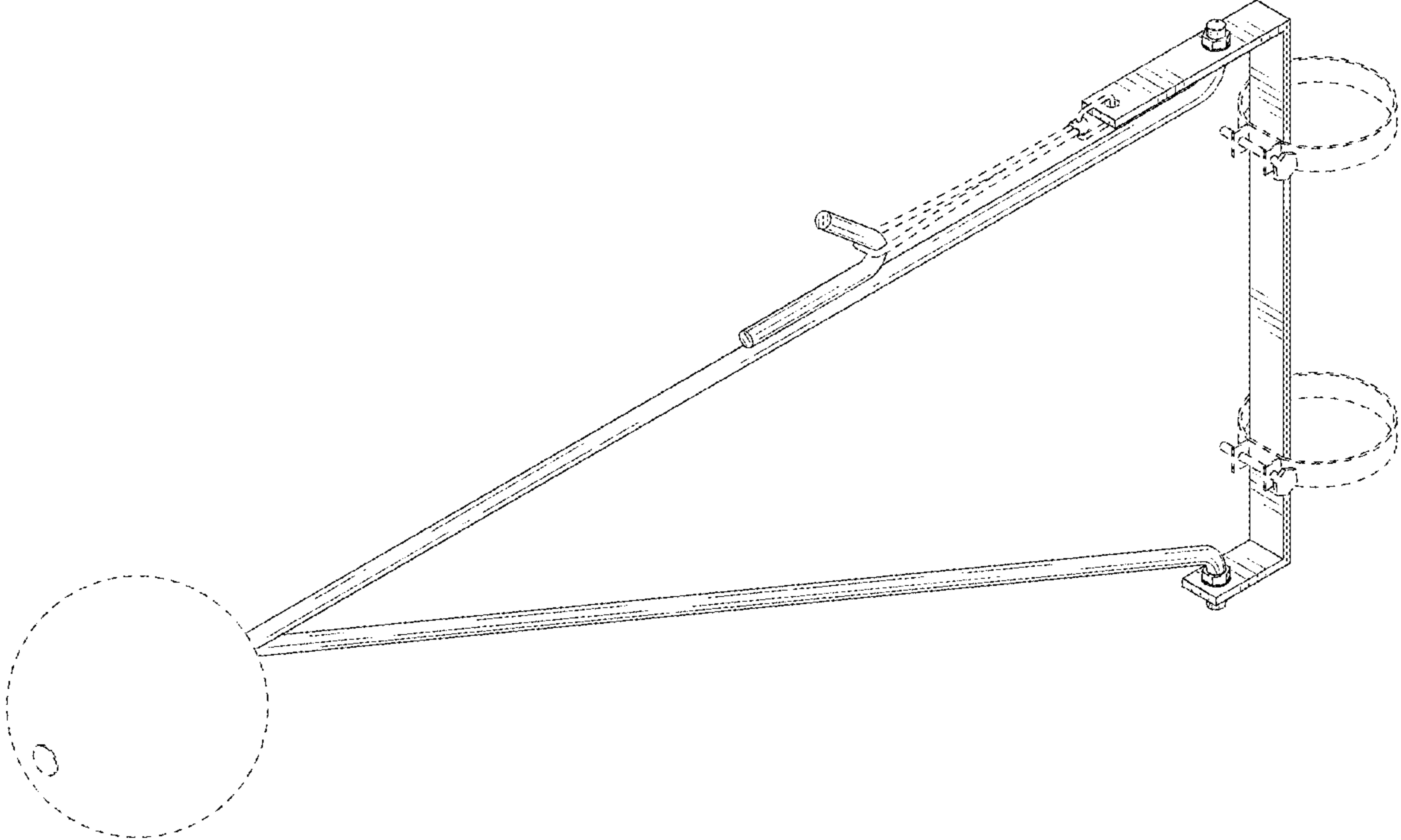


FIG. 1

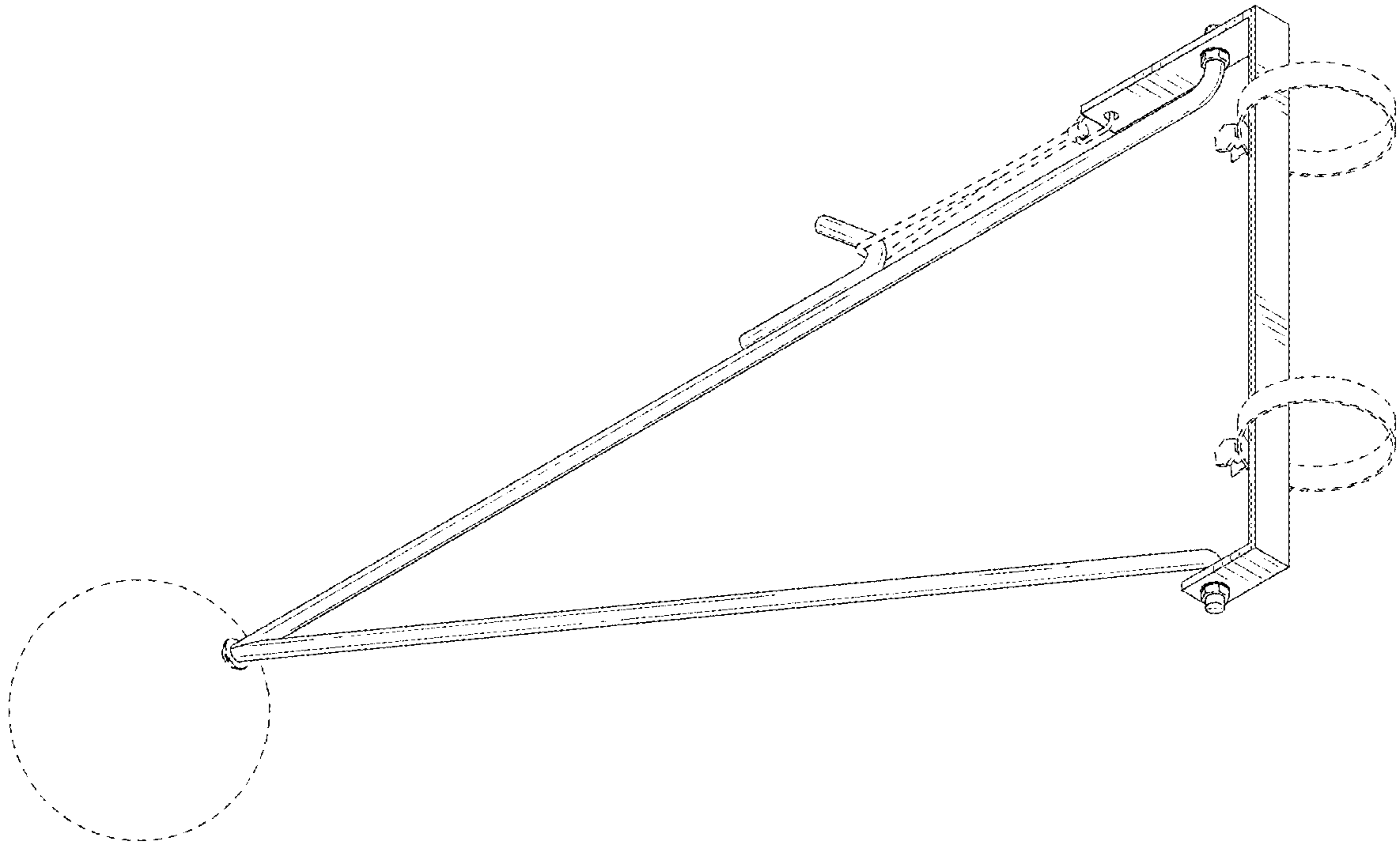


FIG. 2

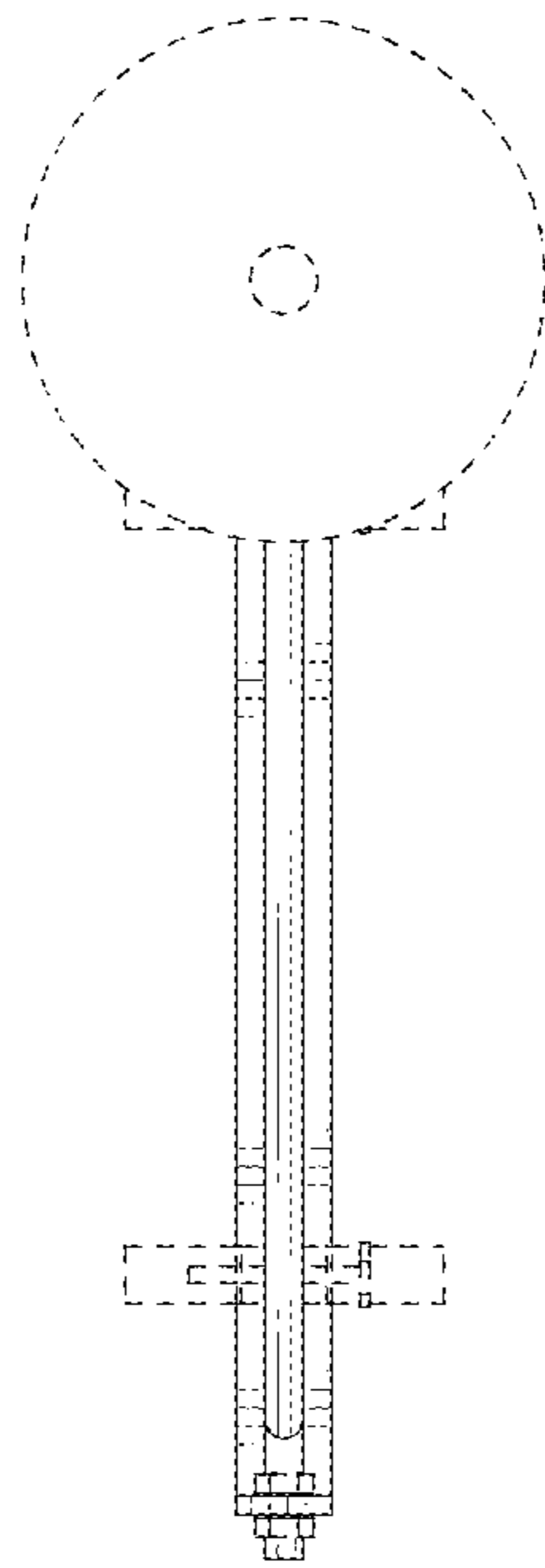


FIG. 3

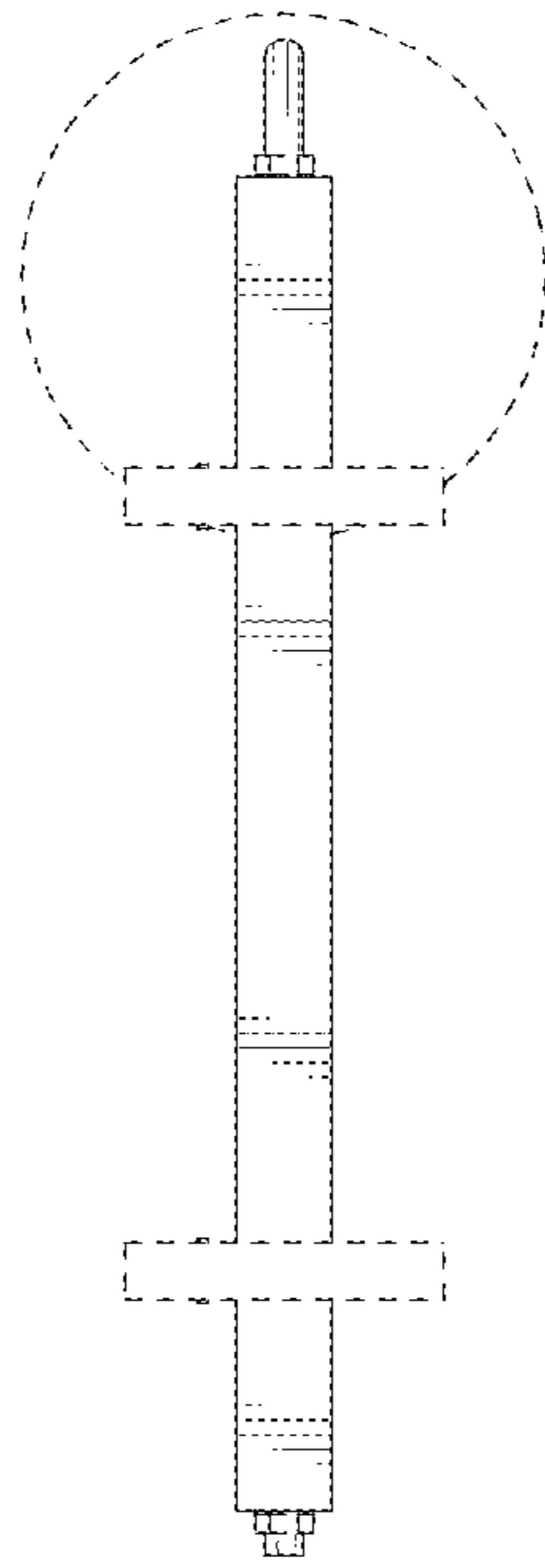


FIG. 4

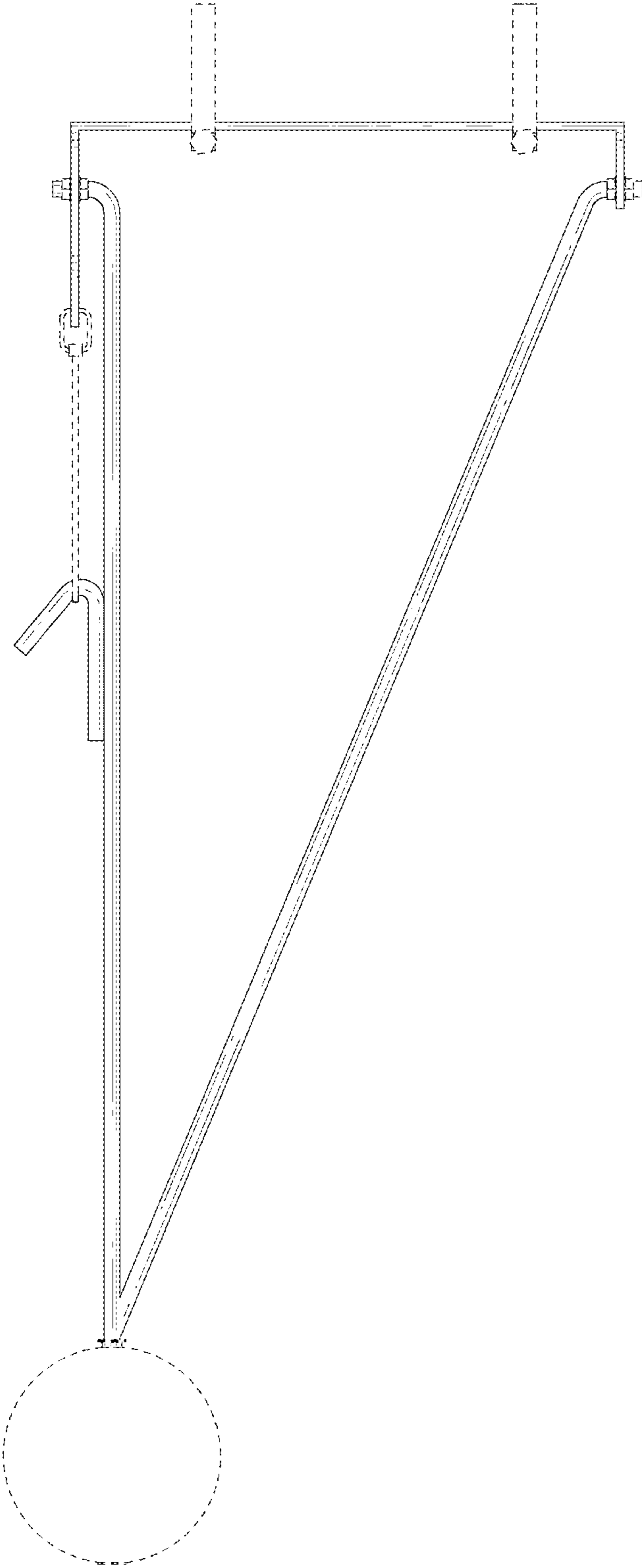


FIG. 5

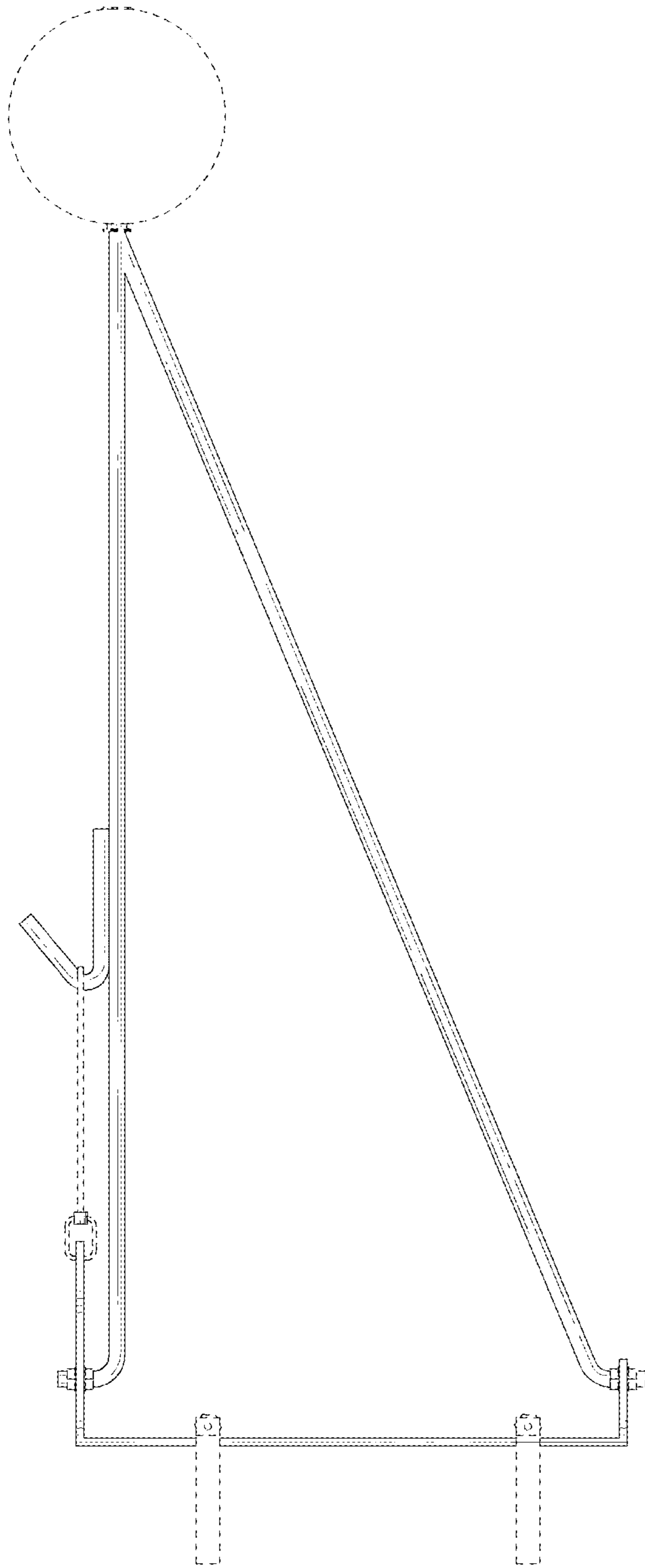


FIG. 6

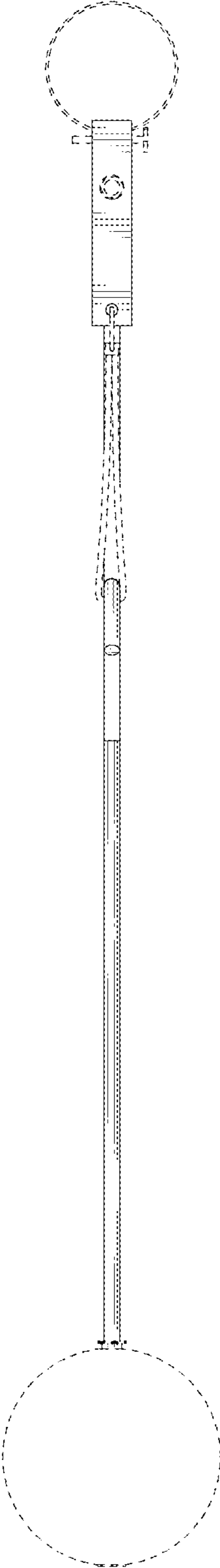


FIG. 7

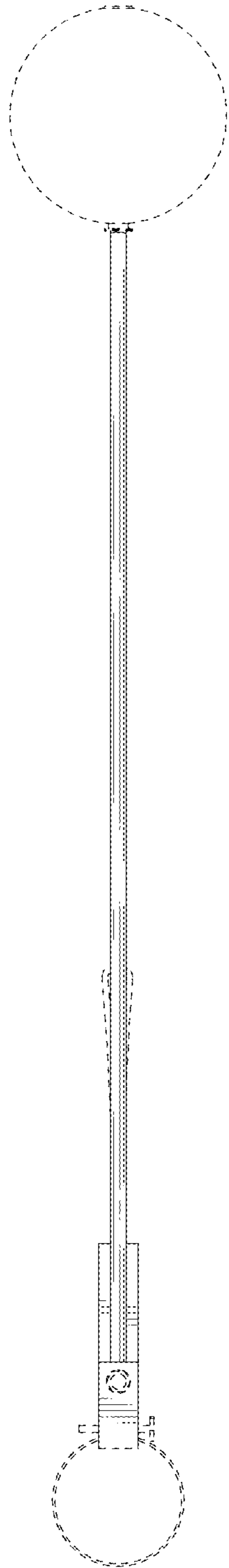


FIG. 8