



US0D1006811S

(12) **United States Design Patent** (10) **Patent No.:** **US D1,006,811 S**
Guo (45) **Date of Patent:** **** Dec. 5, 2023**

(54) **COMPUTER MOUSE**
(71) Applicant: **Qun Guo**, Guangdong (CN)
(72) Inventor: **Qun Guo**, Guangdong (CN)
(**) Term: **15 Years**

(21) Appl. No.: **29/784,543**
(22) Filed: **May 20, 2021**
(51) **LOC (14) Cl.** **14-02**
(52) **U.S. Cl.**
USPC **D14/402**
(58) **Field of Classification Search**
USPC D14/356, 402, 403, 404, 405, 406, 407,
D14/408, 409, 410, 417, 419, 462, 458,
D14/459, 460, 461, 299; D21/332, 333
CPC A47B 2200/0095; A47B 2021/0385; G05B
2219/35462; G05B 2219/35451; G06F
2203/0332; G06F 2203/0333; G06F
2203/0334; G06F 2203/0336; G06F
2203/0337; G06F 2203/35466; G06F
3/033; G06F 3/0354; G06F 3/03541;
G06F 3/03543; G06F 3/0383; G06F
3/039; G06F 3/0317; G06F 3/0362
See application file for complete search history.

(56) **References Cited**
U.S. PATENT DOCUMENTS

D521,998 S * 5/2006 Hirota D14/402
D591,747 S * 5/2009 Hu D14/402
D830,361 S * 10/2018 Jin D14/402
10,095,321 B1 * 10/2018 Lu G06F 3/03543
D881,885 S * 4/2020 Zhan D14/408
D910,633 S * 2/2021 Yook D14/409
D920,333 S * 5/2021 Chong D14/409
D928,155 S * 8/2021 Chong D14/409
D952,633 S * 5/2022 Osaki D14/408
D956,048 S * 6/2022 Dubreucq D14/402
D959,432 S * 8/2022 Carey D14/402
D967,099 S * 10/2022 Leo D14/408
D971,213 S * 11/2022 Wu D14/403

D980,219 S * 3/2023 Chong D14/402
11,609,647 B1 * 3/2023 Lu G06F 3/03543
2005/0001816 A1 * 1/2005 Thompson G06F 3/039
345/184
2006/0044257 A1 * 3/2006 Chou G06F 3/03543
345/156
2007/0159462 A1 * 7/2007 Yen G06F 3/0362
345/163

(Continued)

FOREIGN PATENT DOCUMENTS

CN 202362742 U * 8/2012 G06F 3/03543

OTHER PUBLICATIONS

SteelSeries Sensei Ten Gaming Mouse, posted Oct. 1, 2019 [online], [retrieved Mar. 16, 2023]. Retrieved from internet, <https://www.amazon.com/SteelSeries-Sensei-Ten-Gaming-Mouse/dp/B07Y3Q2PYH> (Year: 2019).*

Primary Examiner — Marie D. Fast Horse
Assistant Examiner — Josiah D. Parsons

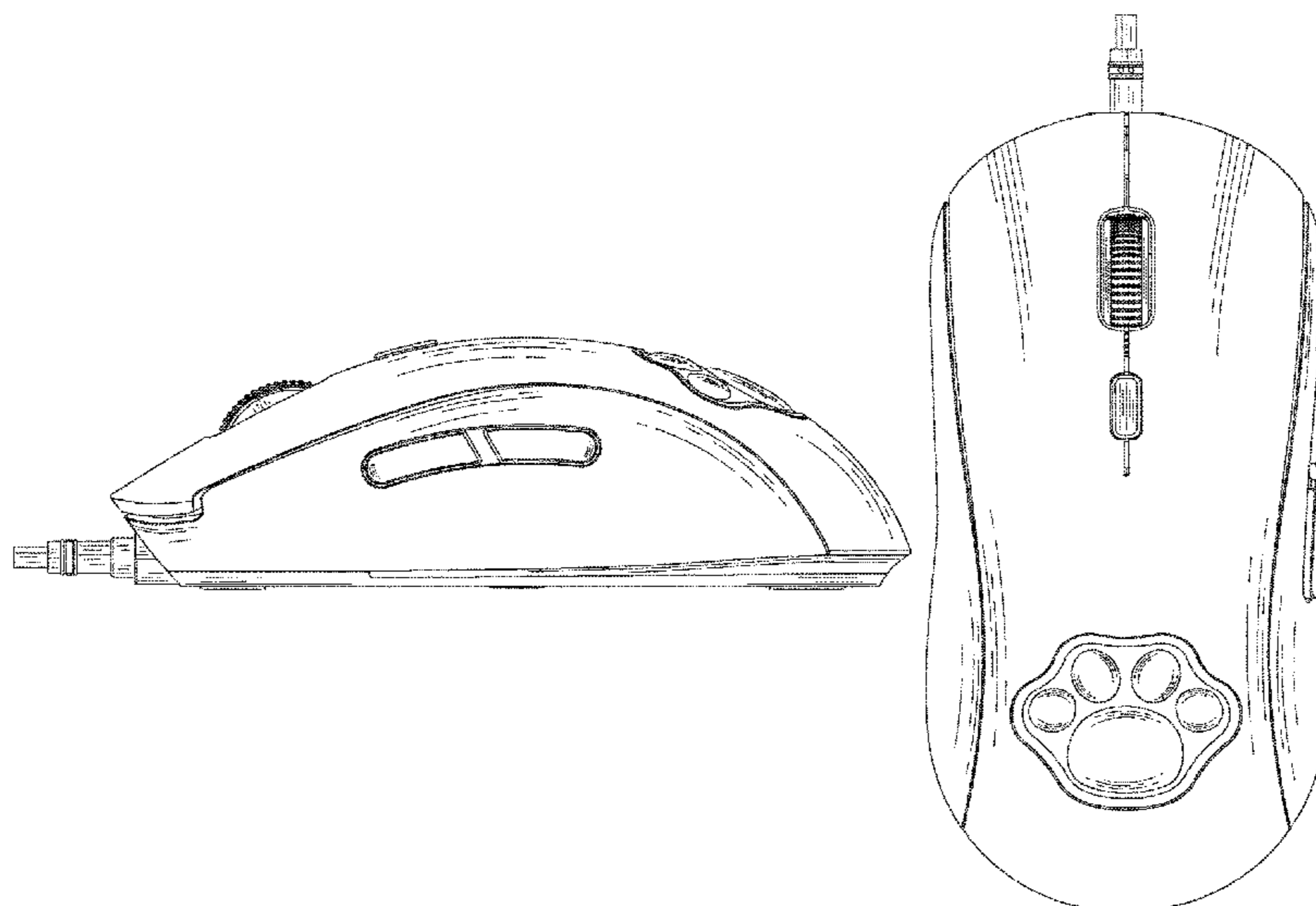
(57) **CLAIM**

The ornamental design for a computer mouse, as shown and described.

DESCRIPTION

FIG. 1 is a front and top perspective view of a computer mouse showing my new design;
FIG. 2 is a bottom perspective view thereof;
FIG. 3 is a front elevation view thereof, shown enlarged in scale;
FIG. 4 is a rear elevation view thereof, shown enlarged in scale;
FIG. 5 is a left side elevation view thereof;
FIG. 6 is a right side elevation view thereof;
FIG. 7 is a top plan view thereof; and,
FIG. 8 is a bottom plan view thereof.

1 Claim, 8 Drawing Sheets



(56)

References Cited

U.S. PATENT DOCUMENTS

2009/0244007 A1* 10/2009 Chang G06F 3/03543
345/163
2017/0344135 A1* 11/2017 Kim G06F 3/0317
2018/0240620 A1* 8/2018 Chen H01H 13/14
2023/0078845 A1* 3/2023 Shayani H01Q 1/42
345/166

* cited by examiner

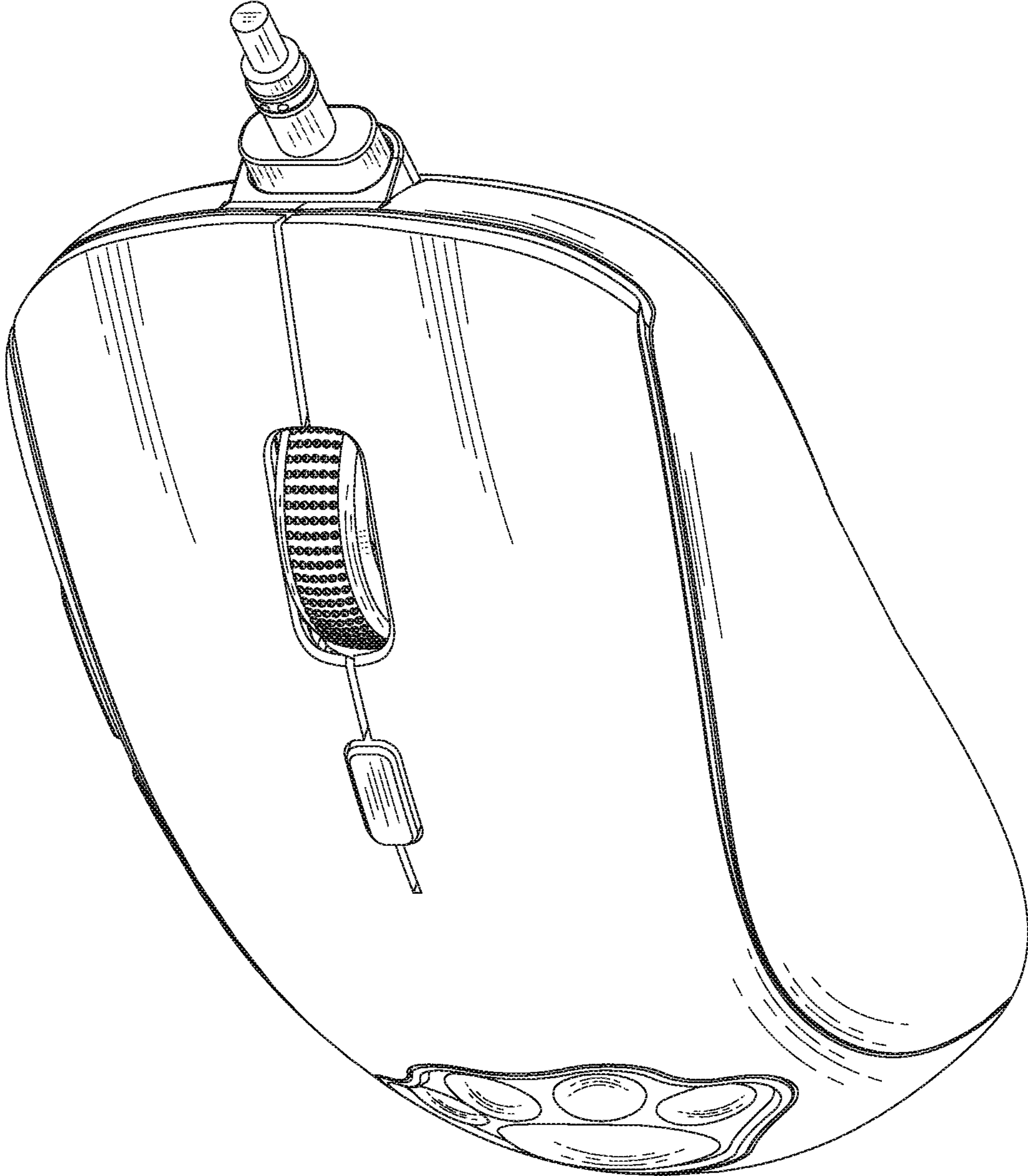


FIG. 1

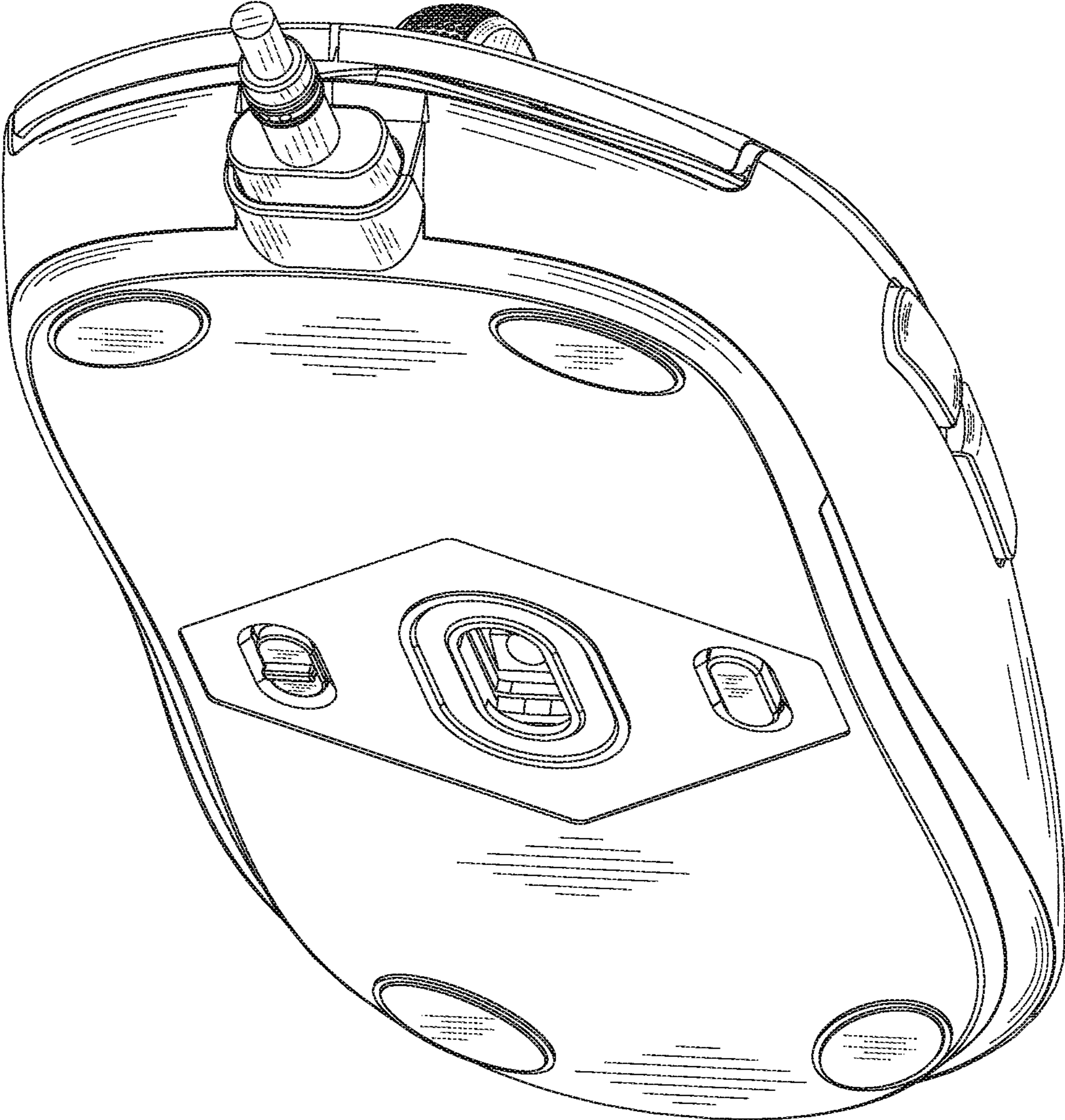


FIG. 2

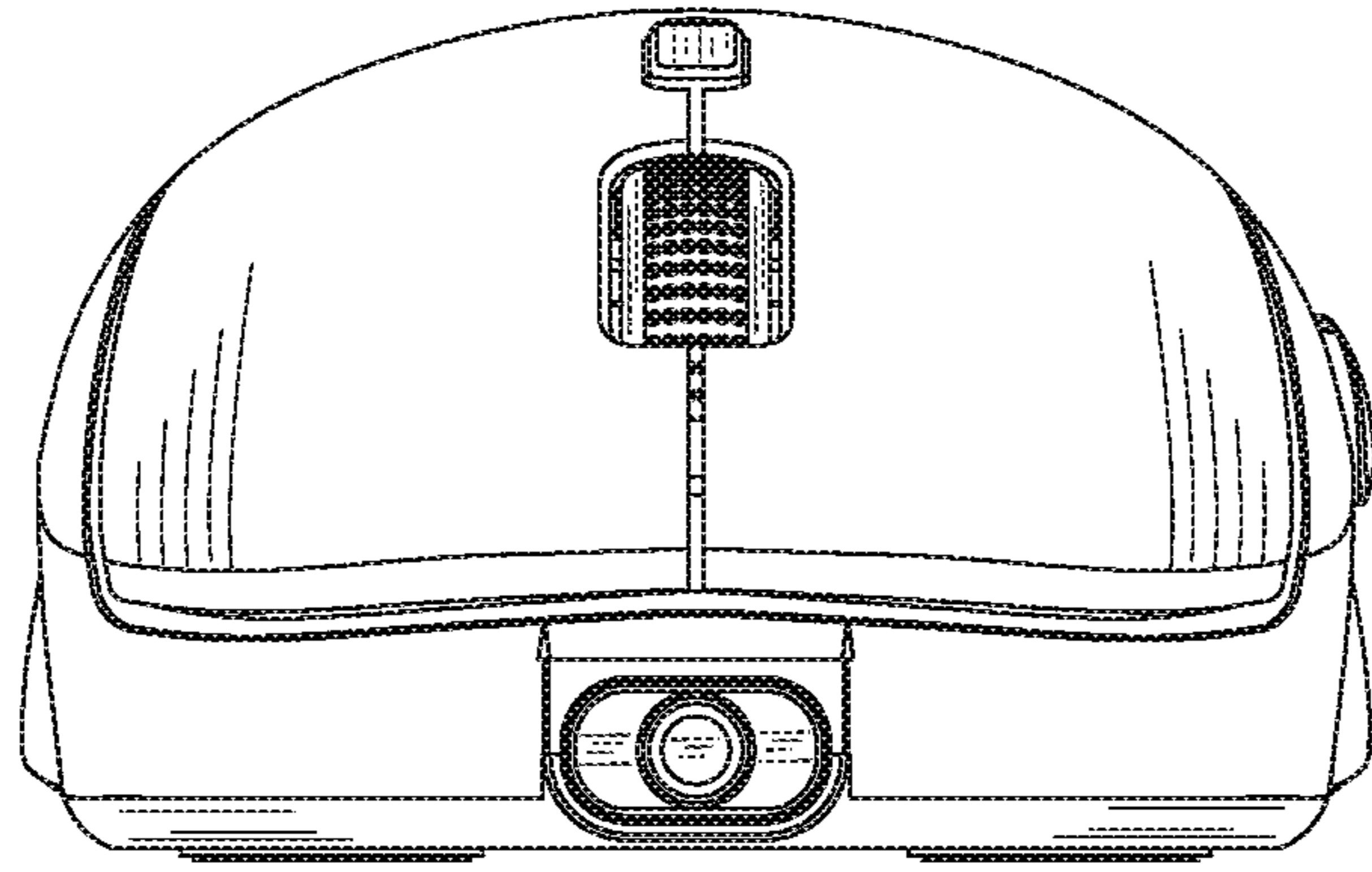


FIG. 3

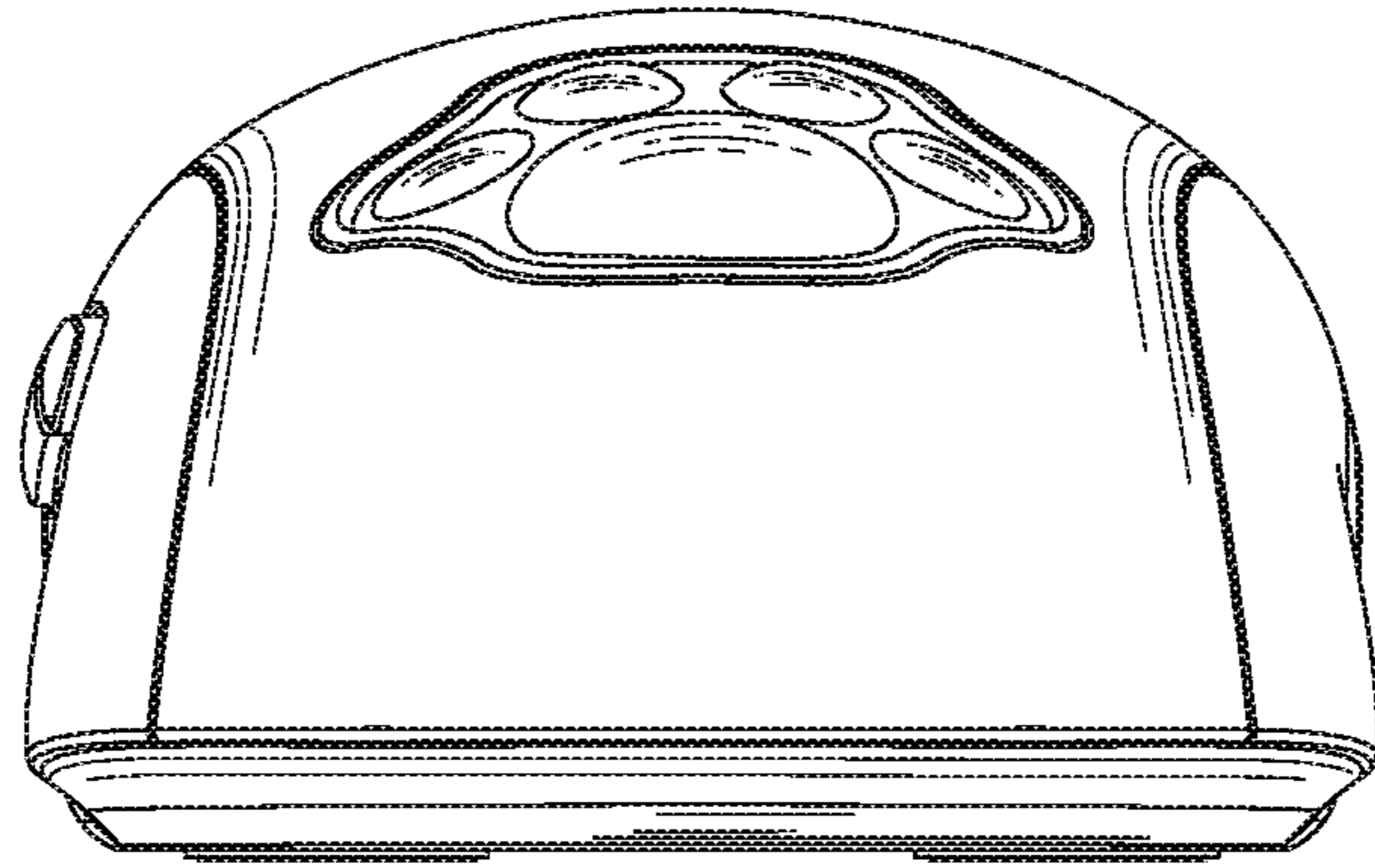


FIG. 4

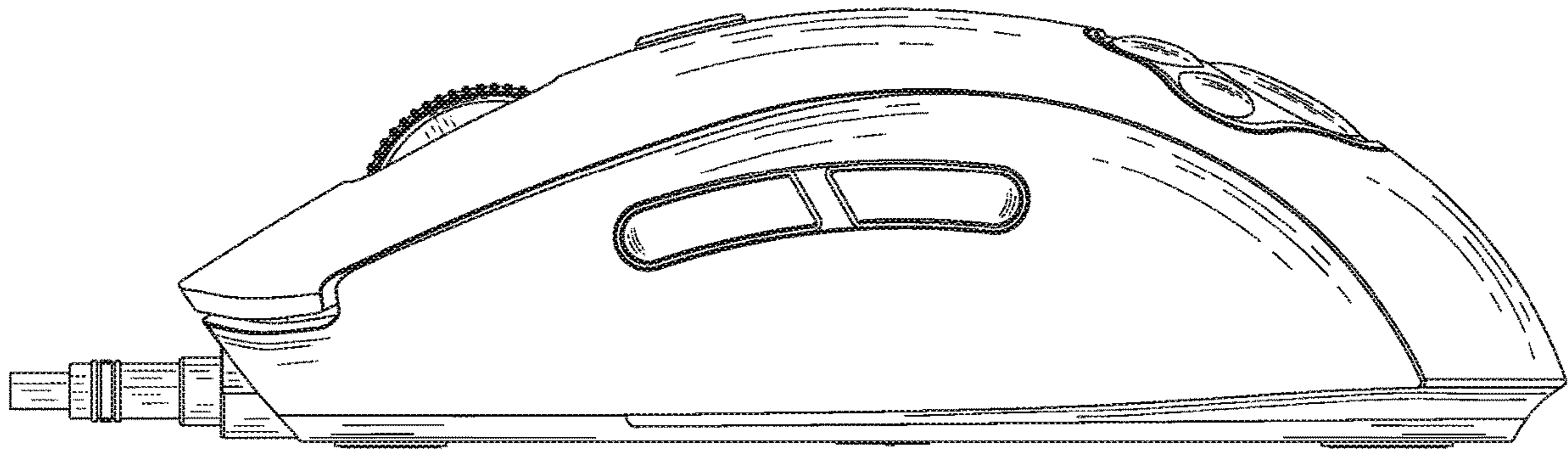


FIG. 5

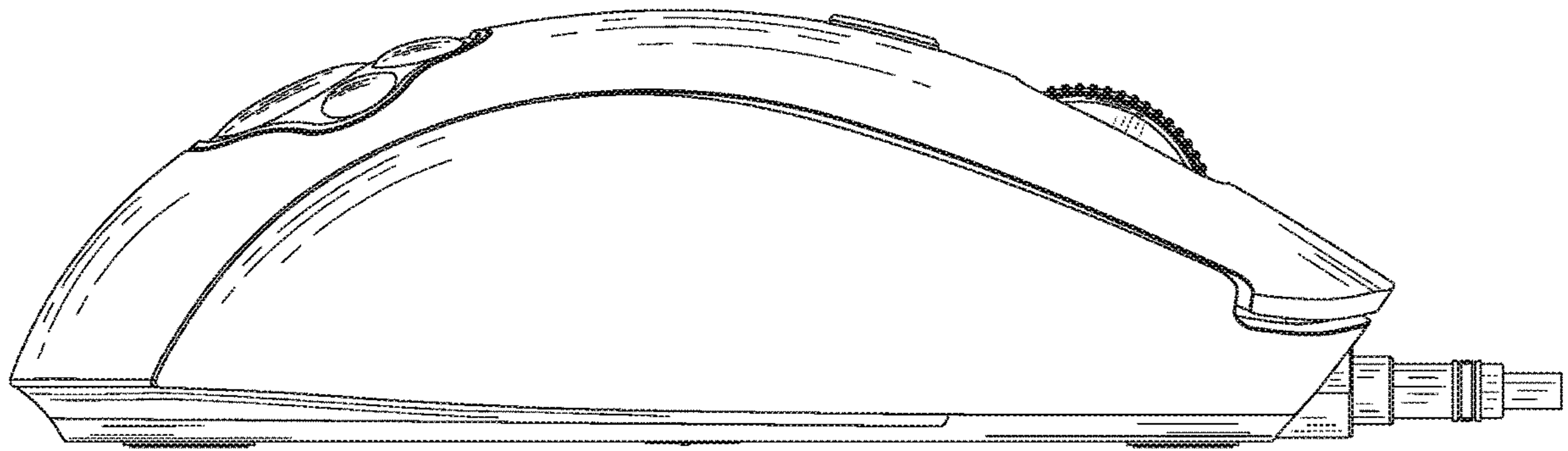


FIG. 6

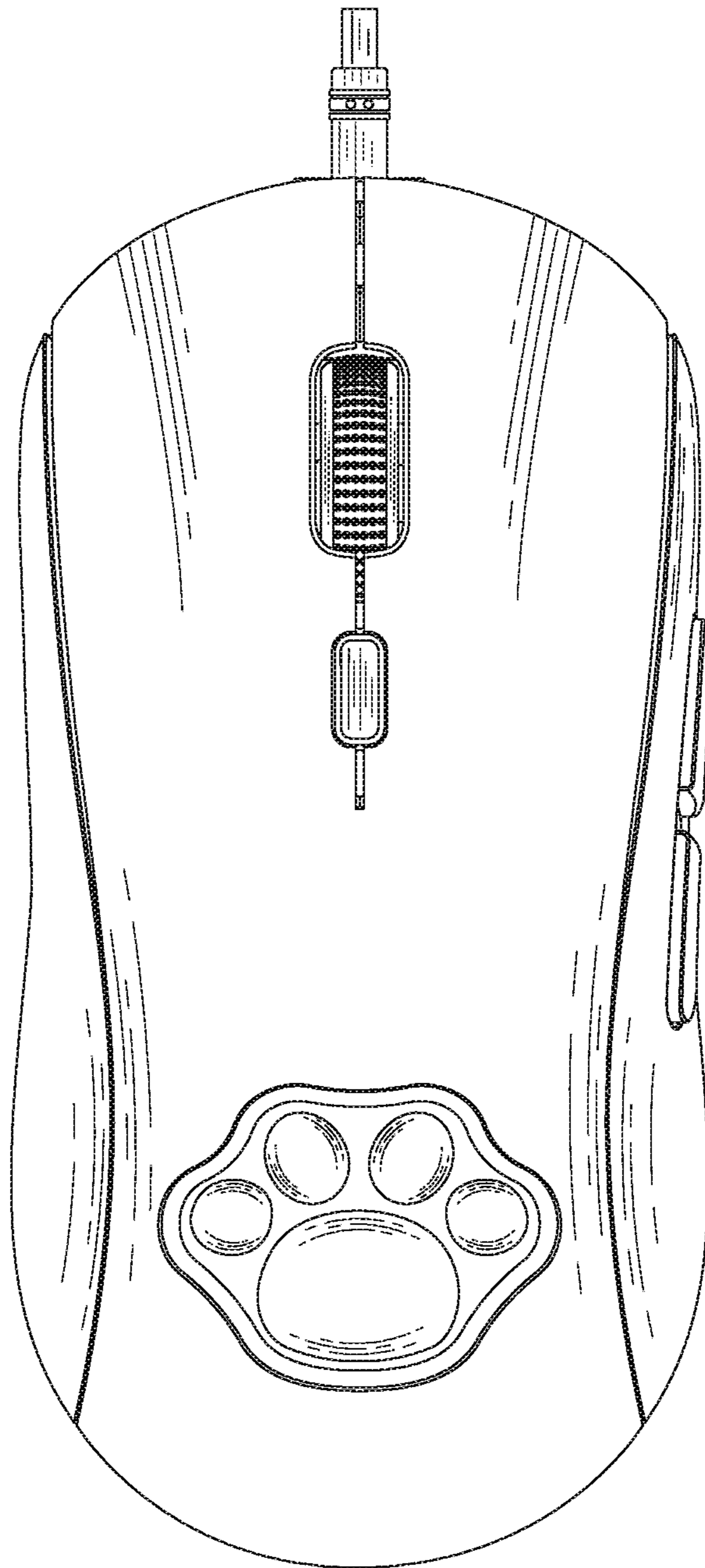


FIG. 7

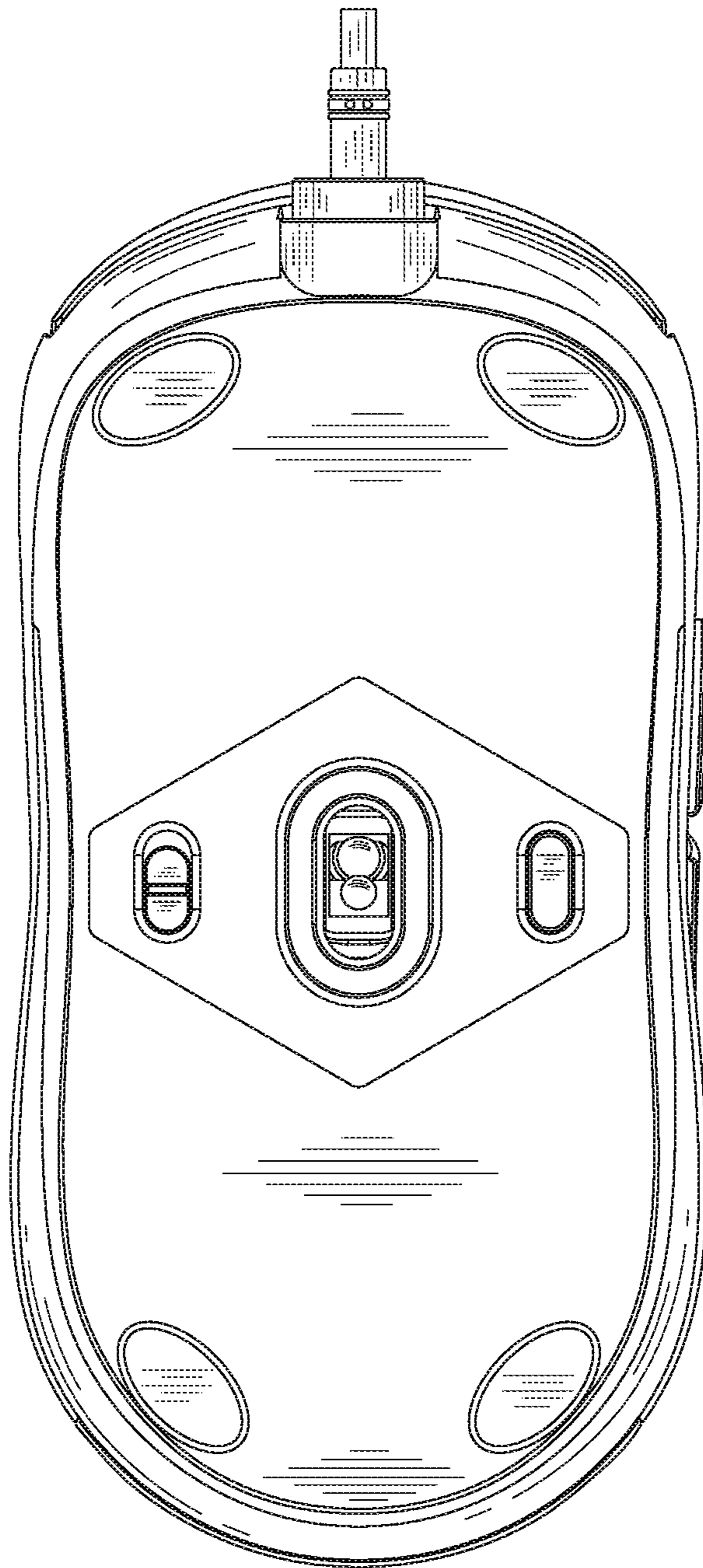


FIG. 8