



US0D1006798S

(12) **United States Design Patent** (10) **Patent No.:** **US D1,006,798 S**  
**Li** (45) **Date of Patent:** **\*\* Dec. 5, 2023**

(54) **MICROPHONE**

(71) Applicant: **Guangdong Dingchuang Zhizao Technology Co., Ltd.**, Guangdong (CN)

(72) Inventor: **Mingying Li**, Guangxi (CN)

(\*\*) Term: **15 Years**

(21) Appl. No.: **29/820,806**

(22) Filed: **Dec. 23, 2021**

(51) **LOC (14) Cl.** ..... **14-01**

(52) **U.S. Cl.**  
USPC ..... **D14/227**

(58) **Field of Classification Search**  
USPC ..... D14/188, 203.4, 203.6, 217, 224, 225, D14/227, 252, 294, 509; D3/294; D21/513  
CPC ... H04R 1/10; H04R 1/08; H04R 1/14; H04R 9/08; H04R 11/04; H04R 25/554; H04R 2410/00; H04R 2420/07; H04R 2420/09  
See application file for complete search history.

(56) **References Cited**

**U.S. PATENT DOCUMENTS**

D905,023 S	*	12/2020	Renwick	.....	D14/227
D946,556 S	*	3/2022	Mai	.....	D14/228
D960,876 S	*	8/2022	Zhao	.....	D14/227
D969,786 S	*	11/2022	Renwick	.....	D14/227
D971,894 S	*	12/2022	Chen	.....	D14/225
D975,687 S	*	1/2023	Bond	.....	D14/225

**FOREIGN PATENT DOCUMENTS**

CN	307026878	*	12/2021
CN	307082750	*	1/2022

CN	307660693	*	11/2022
CN	307670324	*	11/2022
KR	301000655.0000	*	4/2019

**OTHER PUBLICATIONS**

Manayo USB Condenser Microphone for Recording, podcasting, Streaming and Gaming, Sep. 1, 2021 [online],retrieved May 18, 2023, retrieved from the internet URL: : < https://www.amazon.com/MANAYO-Condenser-Microphone-Professional-bi-Directional/dp/B09F6B8TGF> (Year: 2021).\*

\* cited by examiner

*Primary Examiner* — Janice Hallmark

*Assistant Examiner* — Rodolfo Castro, Jr.

(74) *Attorney, Agent, or Firm* — Justin Lampel

(57) **CLAIM**

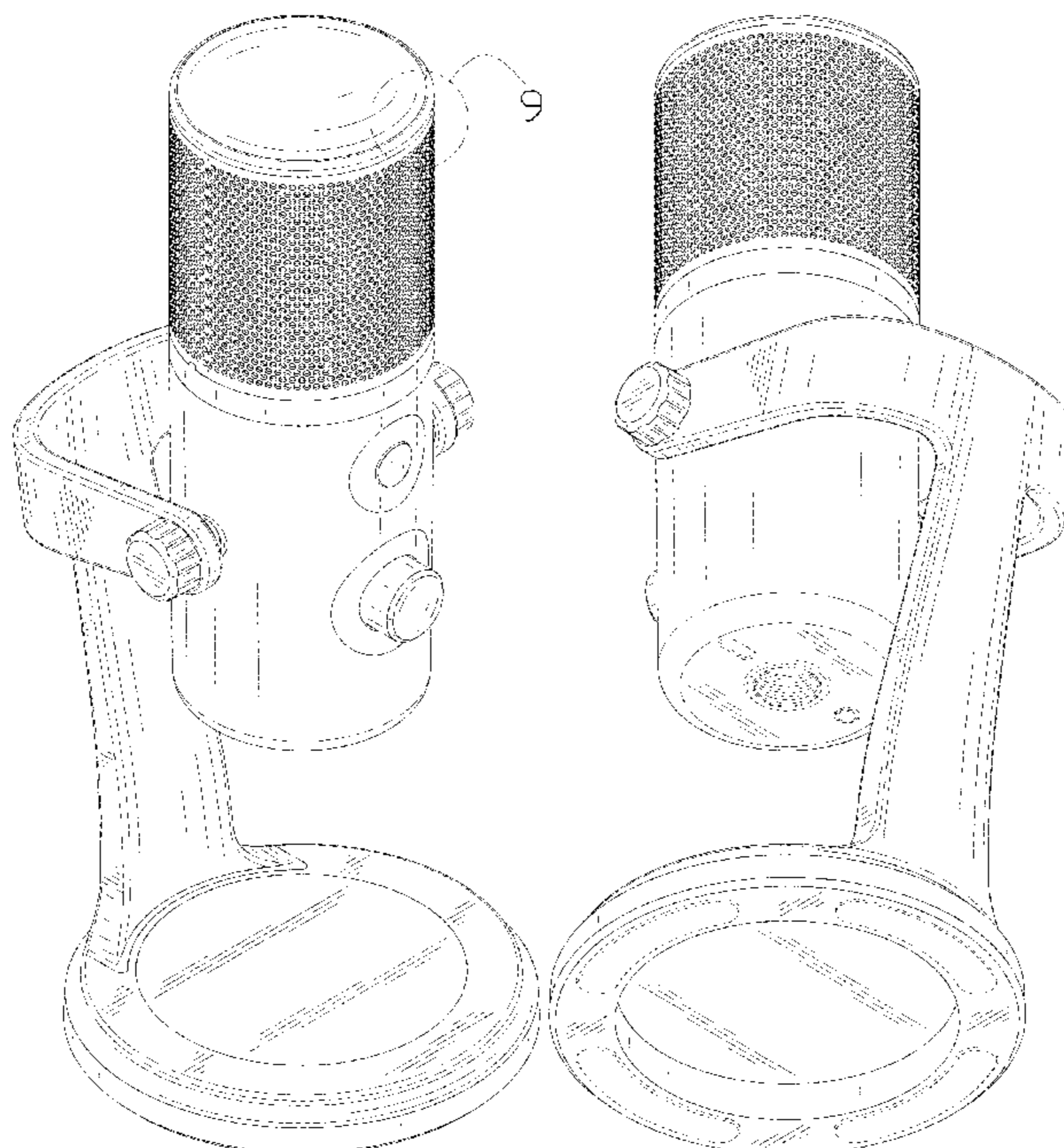
The ornamental design for a microphone, as shown and described.

**DESCRIPTION**

FIG. 1 is a front, left, and top perspective view of a microphone, showing my design.  
FIG. 2 is a rear, right, and bottom perspective view thereof.  
FIG. 3 is a front elevation view thereof.  
FIG. 4 is a rear elevation view thereof.  
FIG. 5 is a left side elevation view thereof.  
FIG. 6 is a right side elevation view thereof.  
FIG. 7 is a top plan view thereof.  
FIG. 8 is a bottom plan view thereof; and,  
FIG. 9 is an enlarged detail view of portion 9 encircled in FIG. 1.

Broken lines illustrate portions of the microphone that form no part of the claimed design.

**1 Claim, 9 Drawing Sheets**



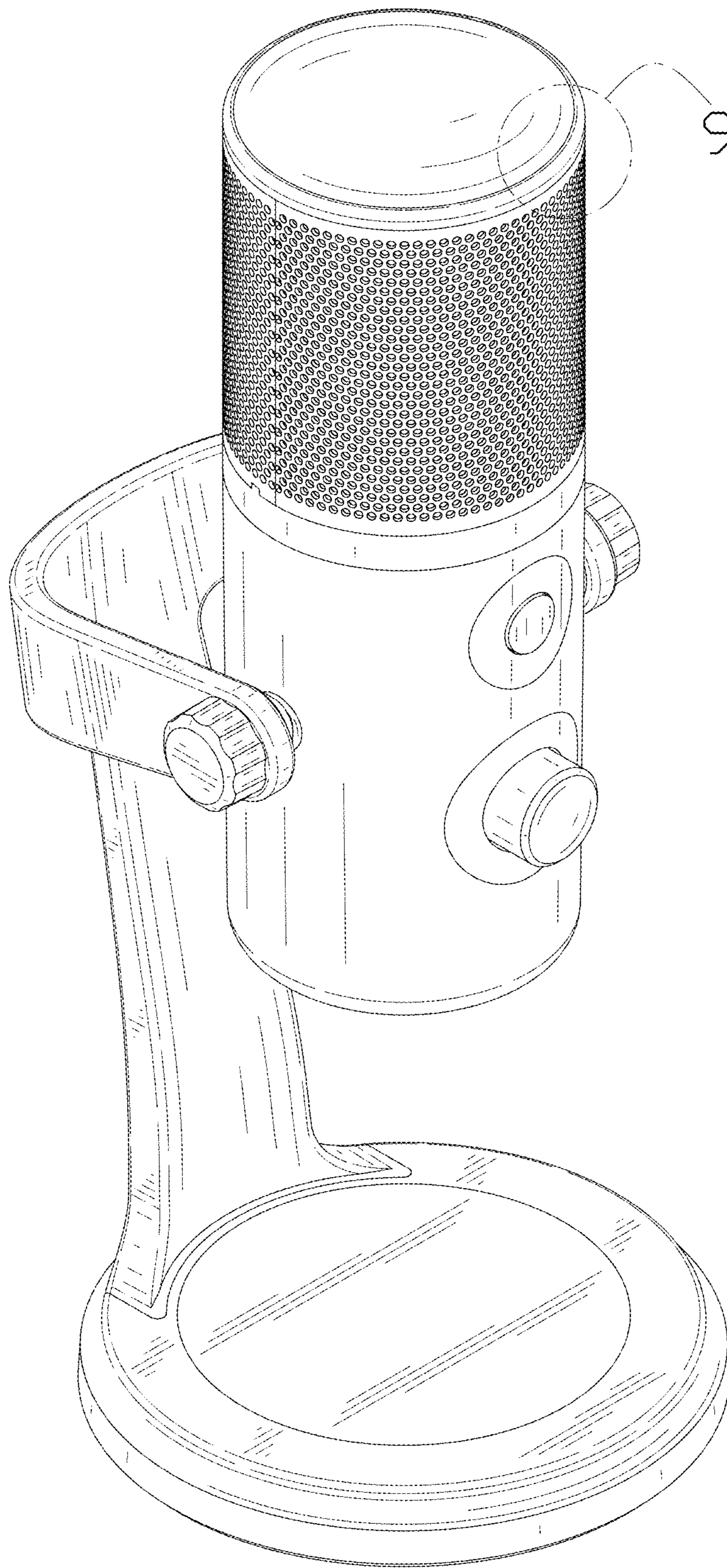


FIG. 1

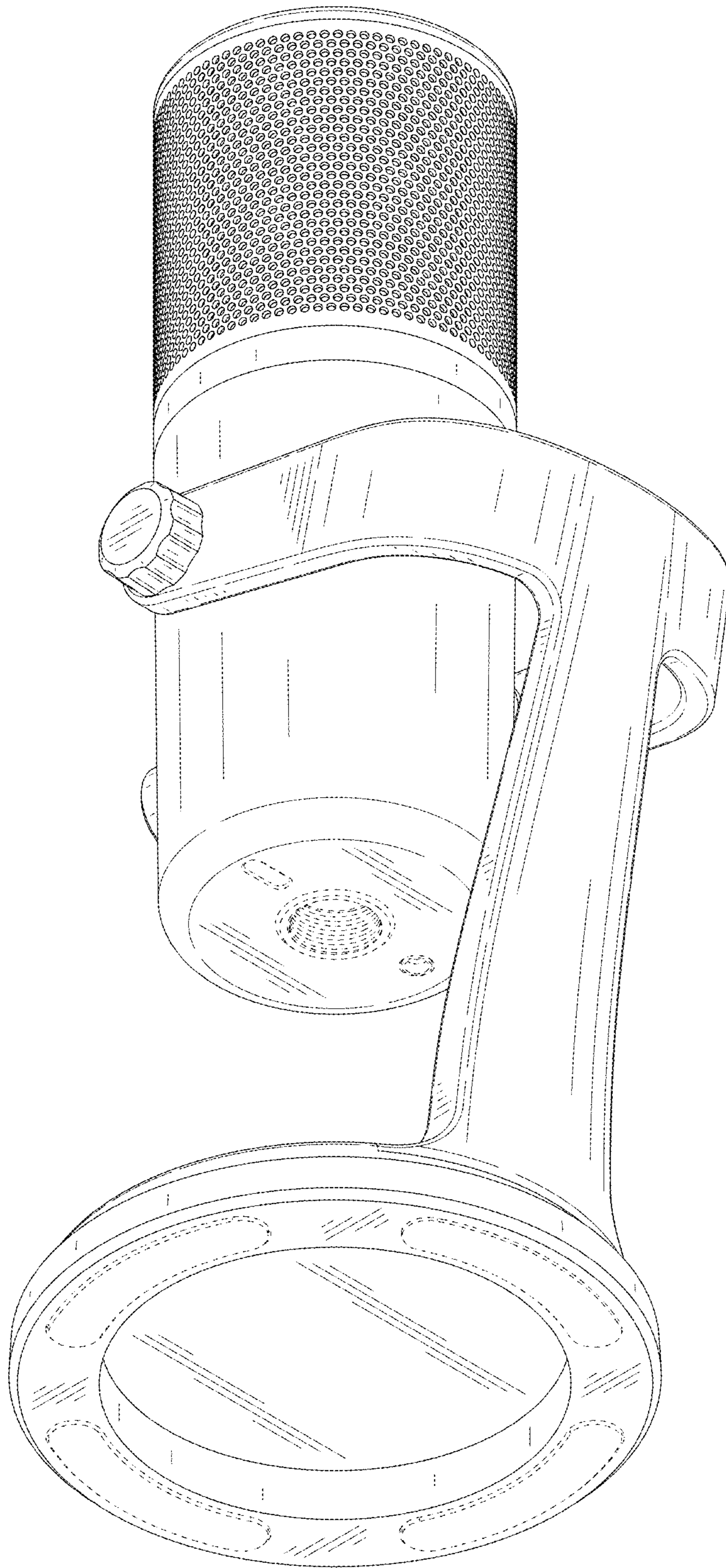


FIG. 2

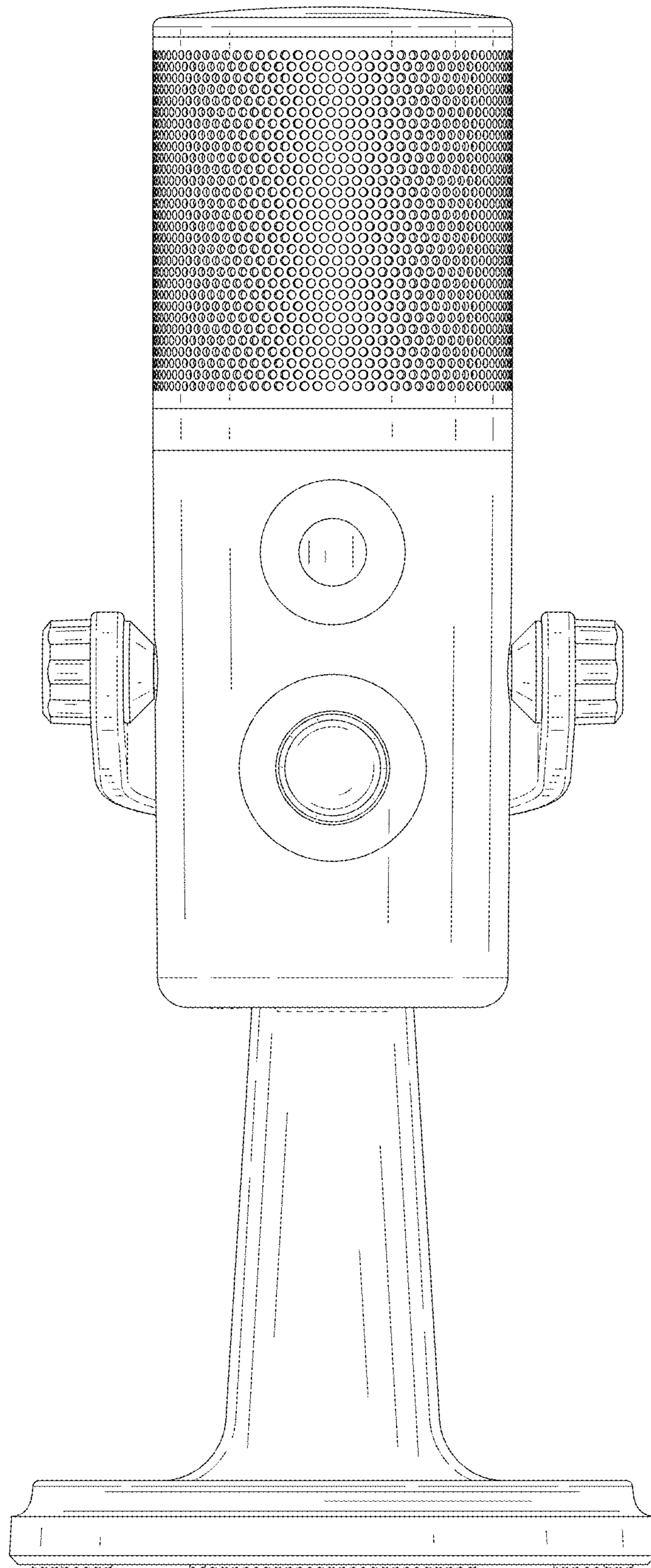


FIG. 3

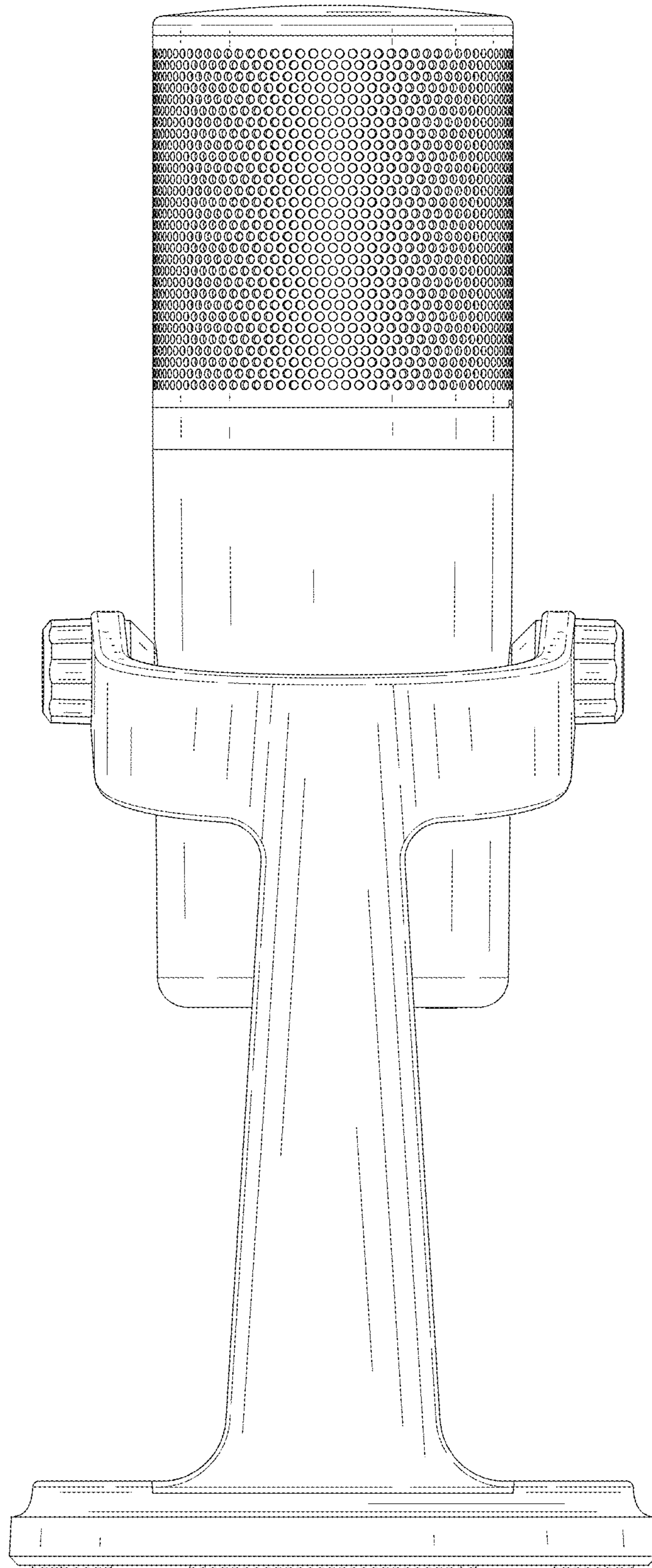


FIG. 4

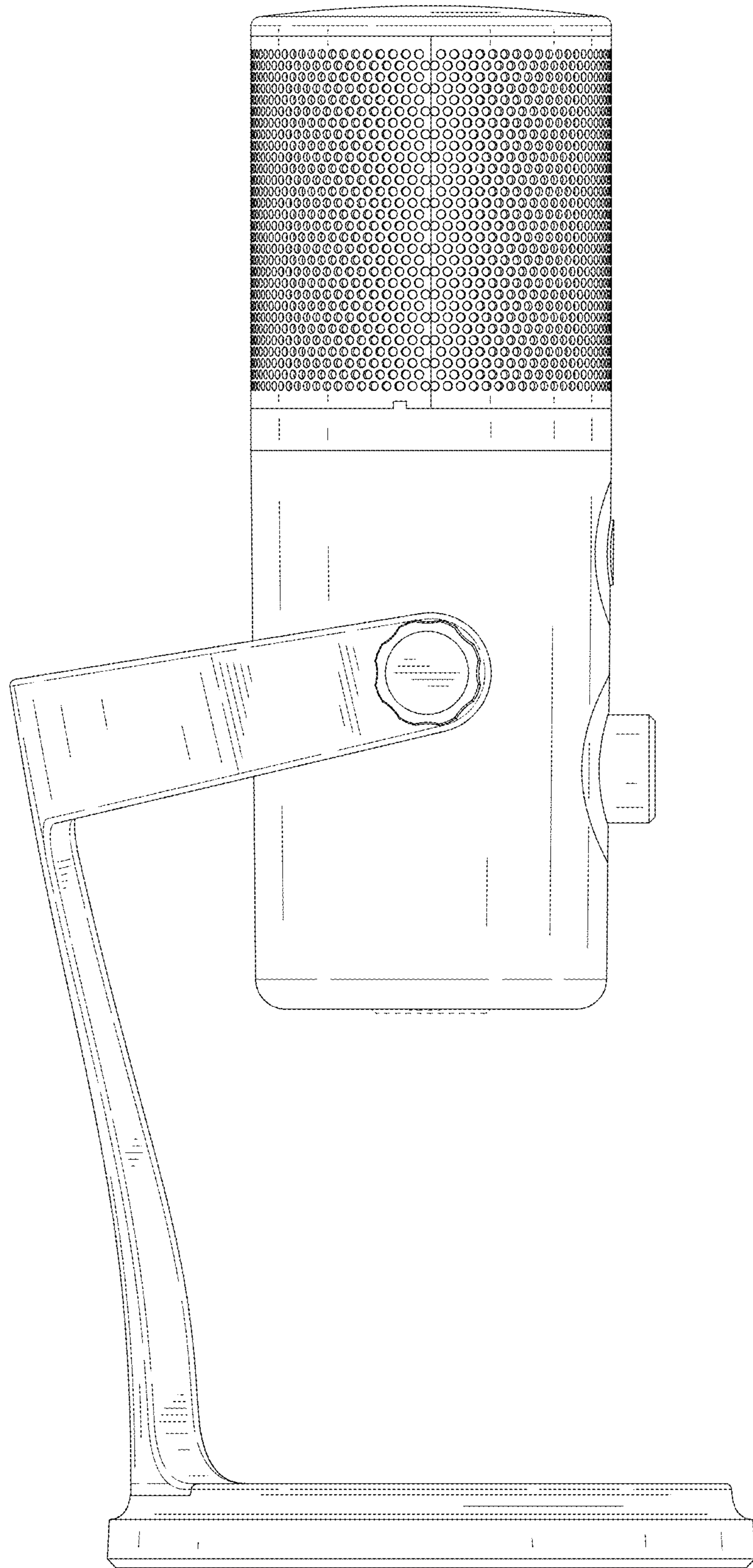


FIG. 5

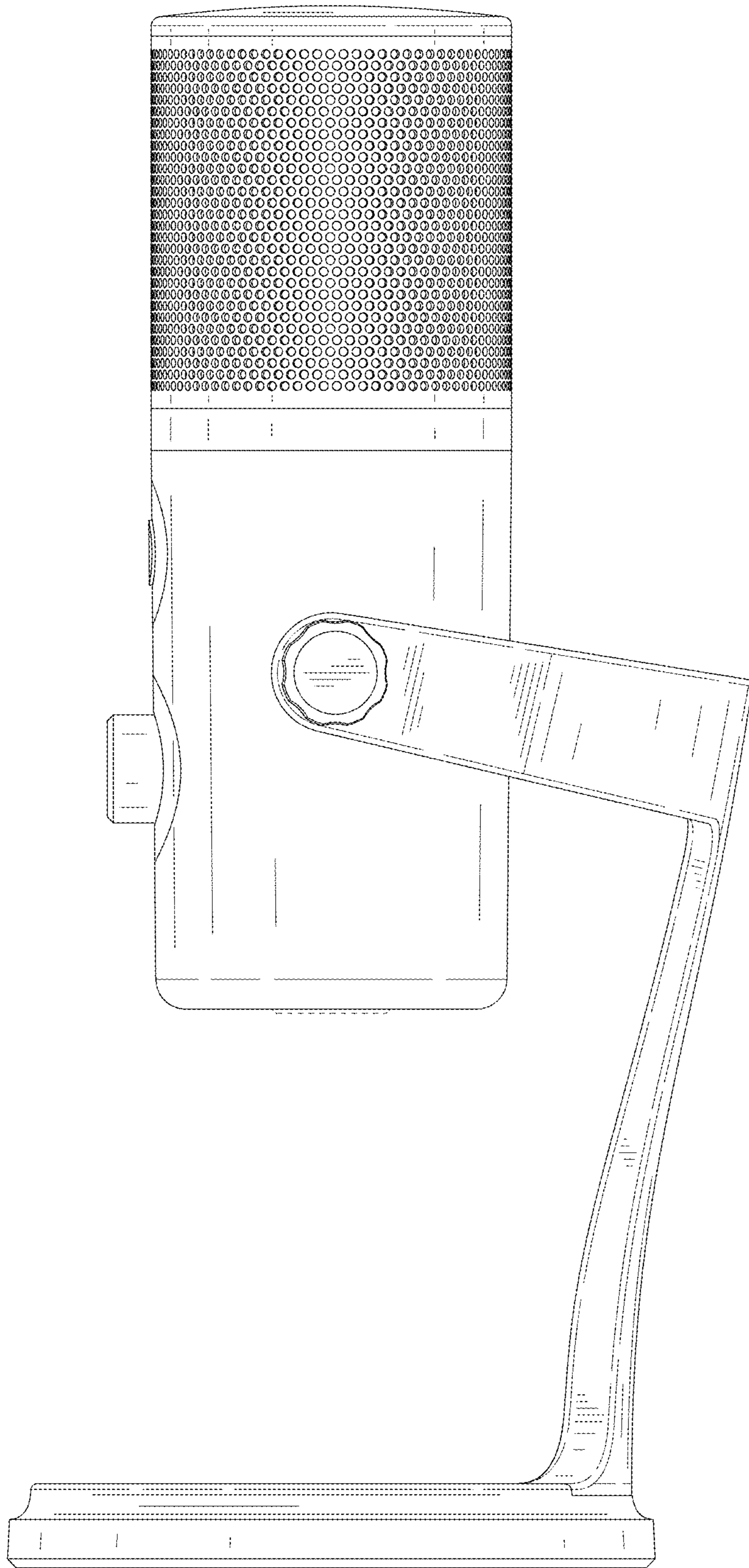


FIG. 6

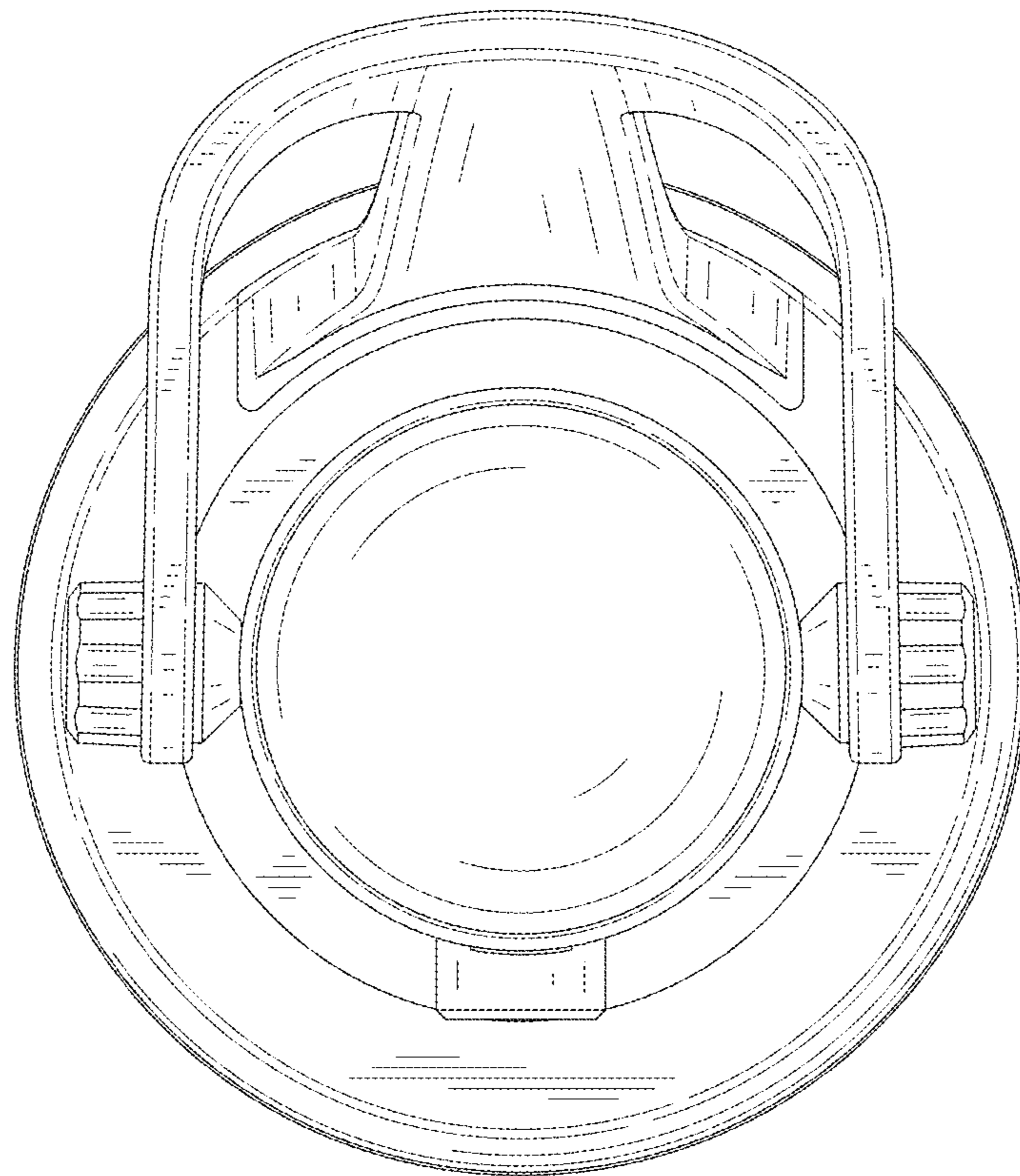


FIG. 7



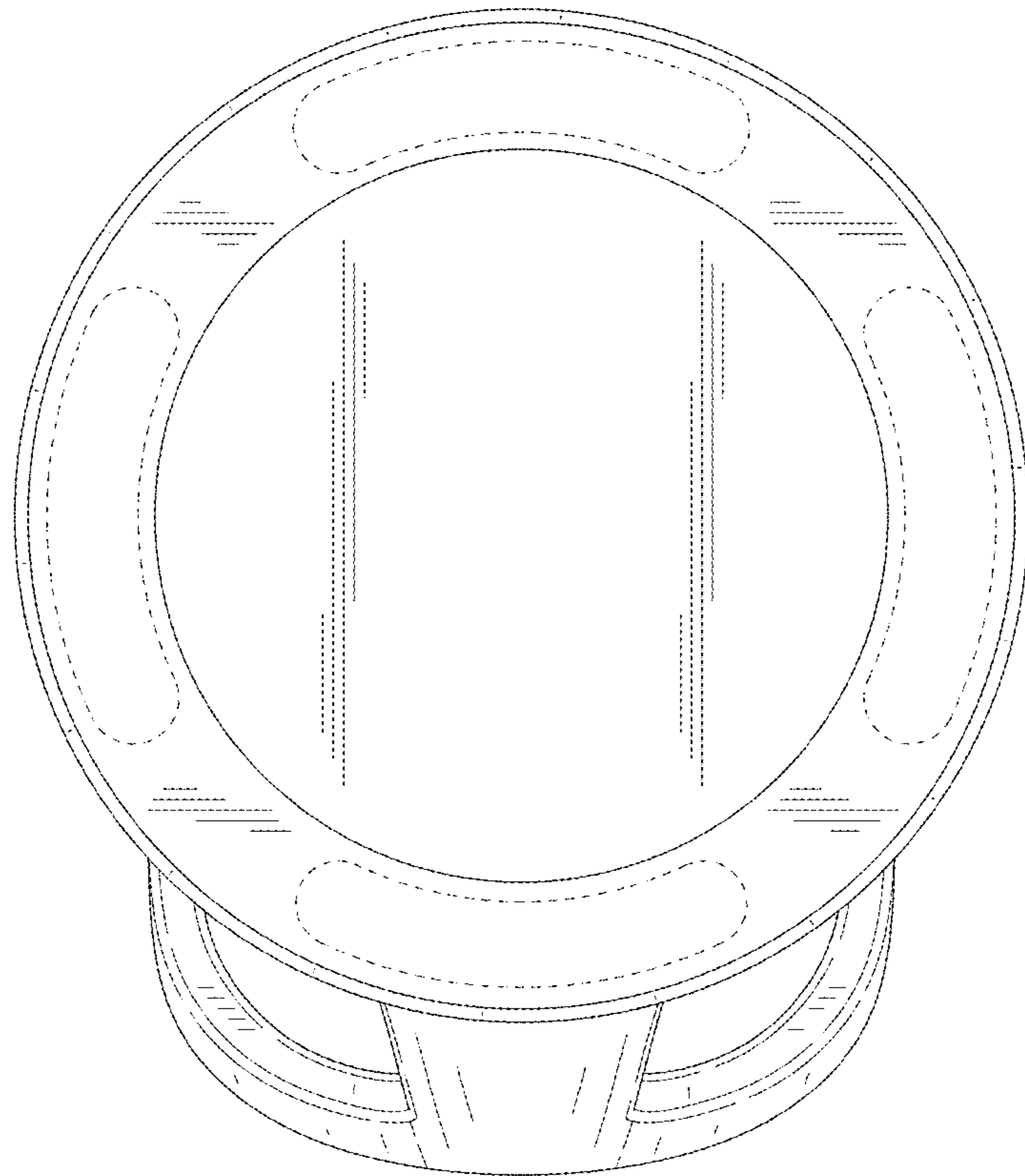


FIG. 8

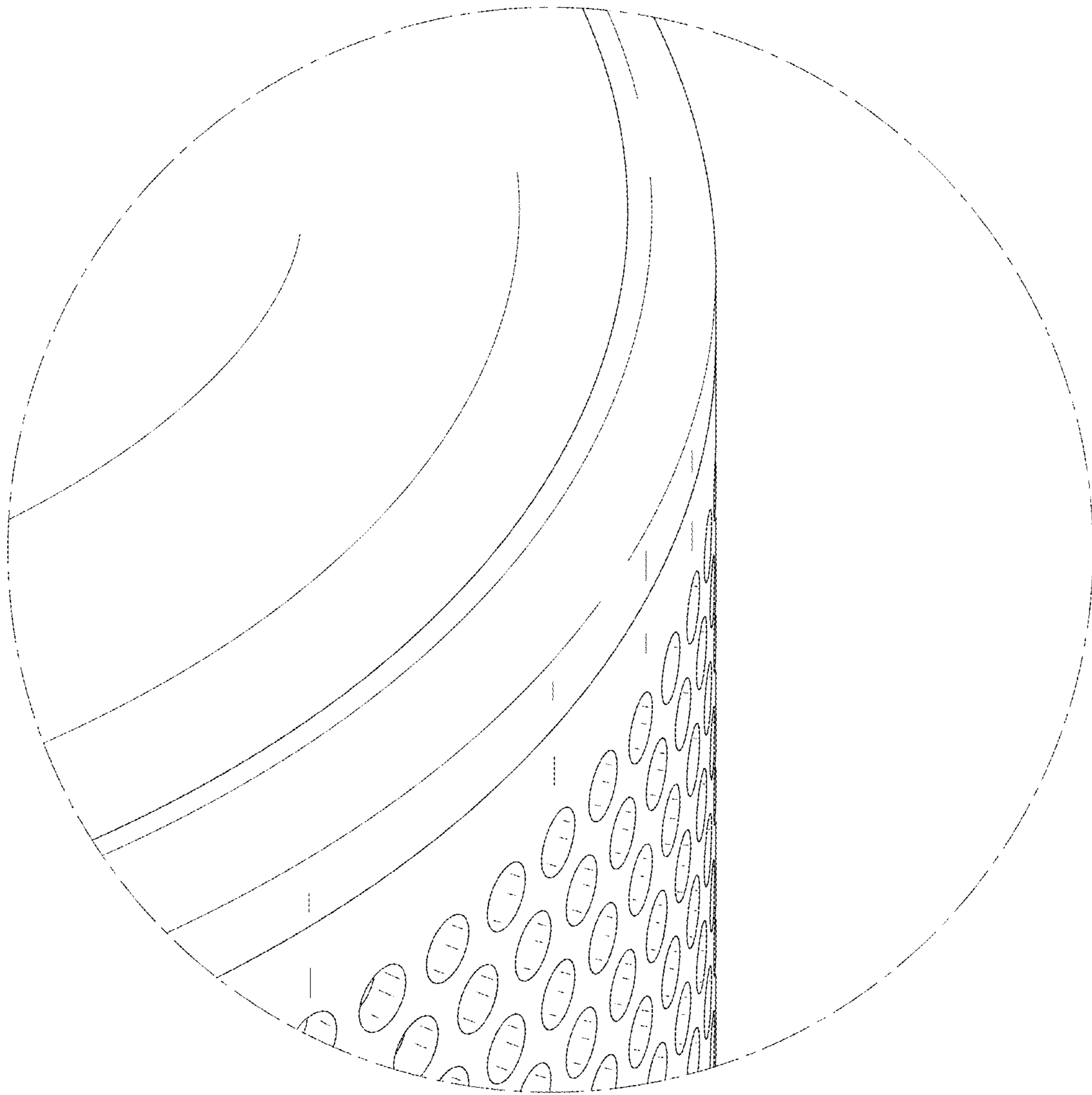


FIG. 9